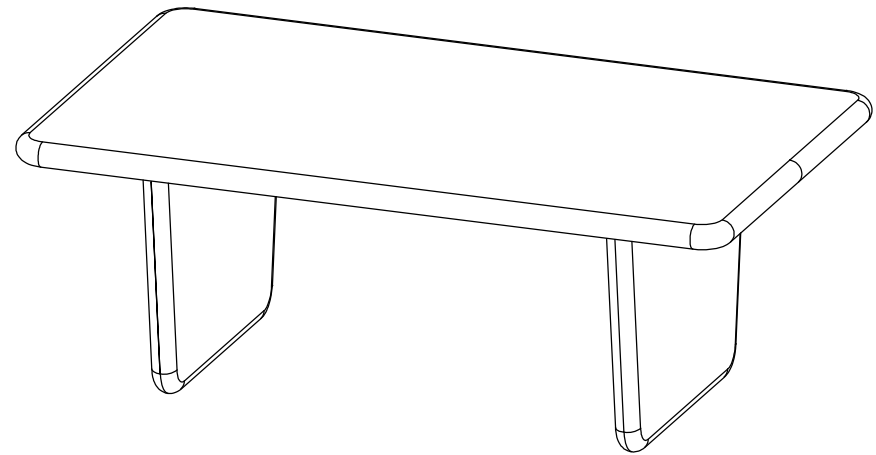


COFFEE TABLE



Need help?

Feel free to contact us via email or call
if you have any specific questions!

Everything we make is incredibly simple to set up, including your new coffee table. you won't need any additional tools.

Parts List

A x 1
TABLE TOP



HW1 x 16
Allen bolt 16x6MM



B x 2
LEG



HW2 x 16
Flat washer 16x8MM



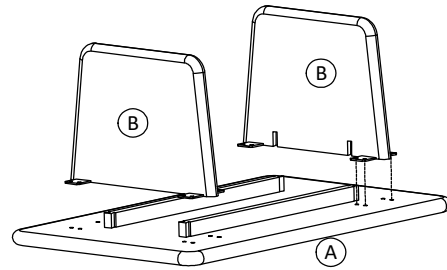
HW3 x 1
Allen Key 4MM



Hardware List

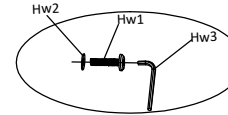
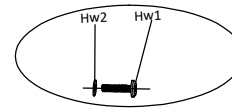
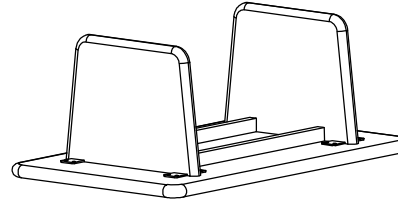
1

Place the table top (A) upside down on a clean surface. Align the screw holes on the legs (B) to the screw holes on the bottom of the table top (A).



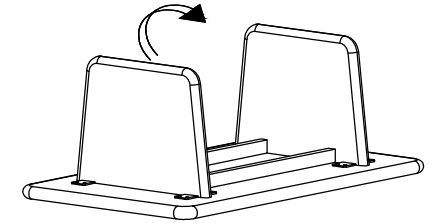
2

Place the flat washers (HW2) on the Allen bolts (HW1). Use the Allen Key (HW3) to screw in the Allen bolts (HW1) with the washers (HW2).



3

Flip the coffee table upright with help of another person.



4

Place the coffee table in the position where you will use it.

