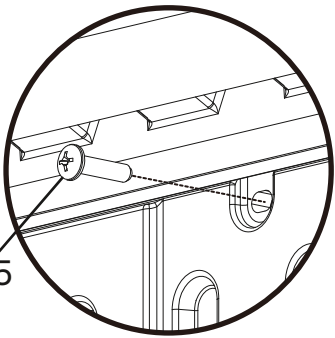
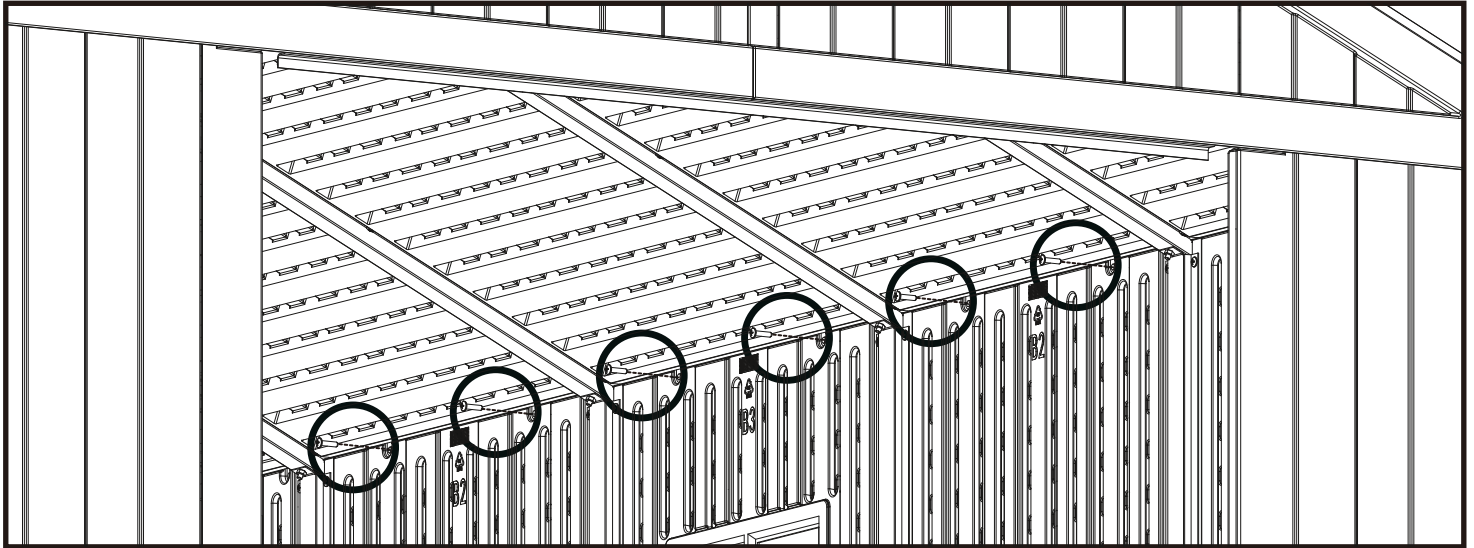
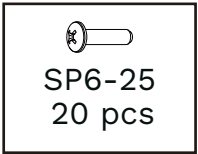


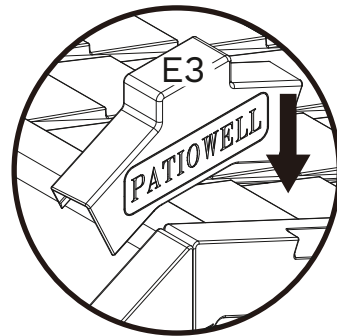
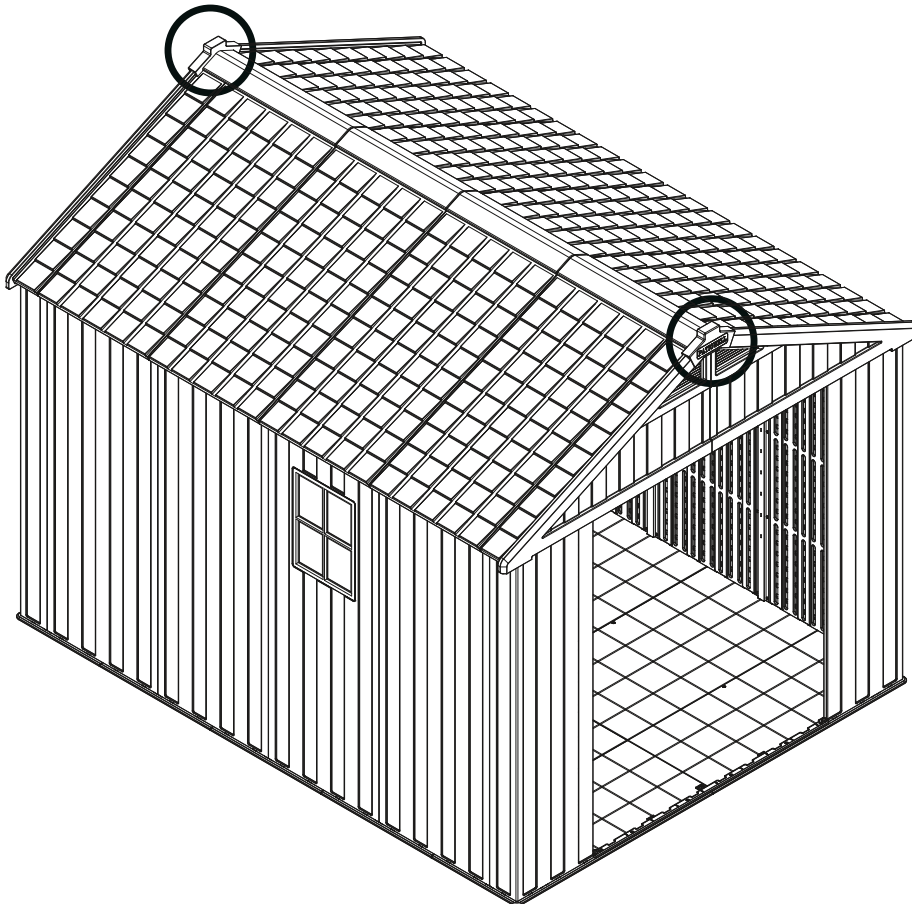
# STEP 53



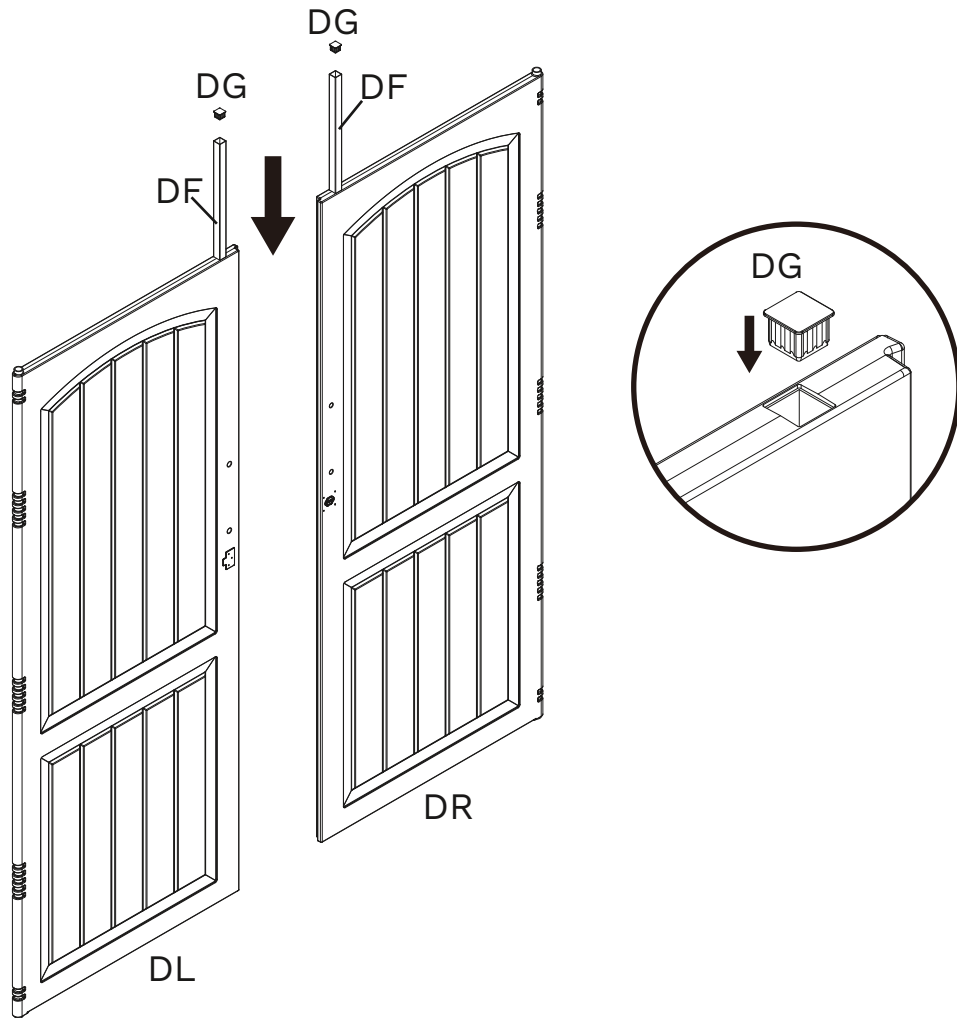
SP6-25



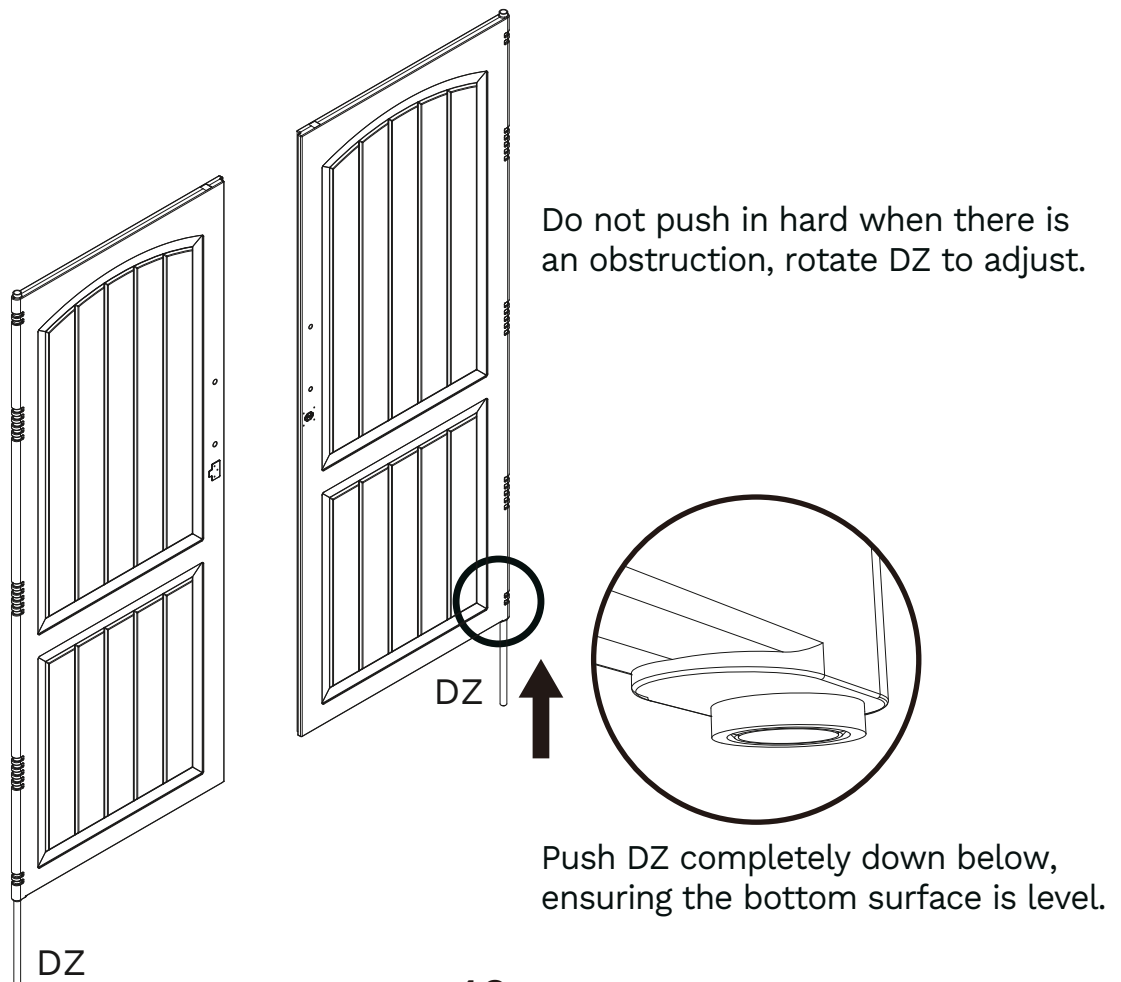
# STEP 54



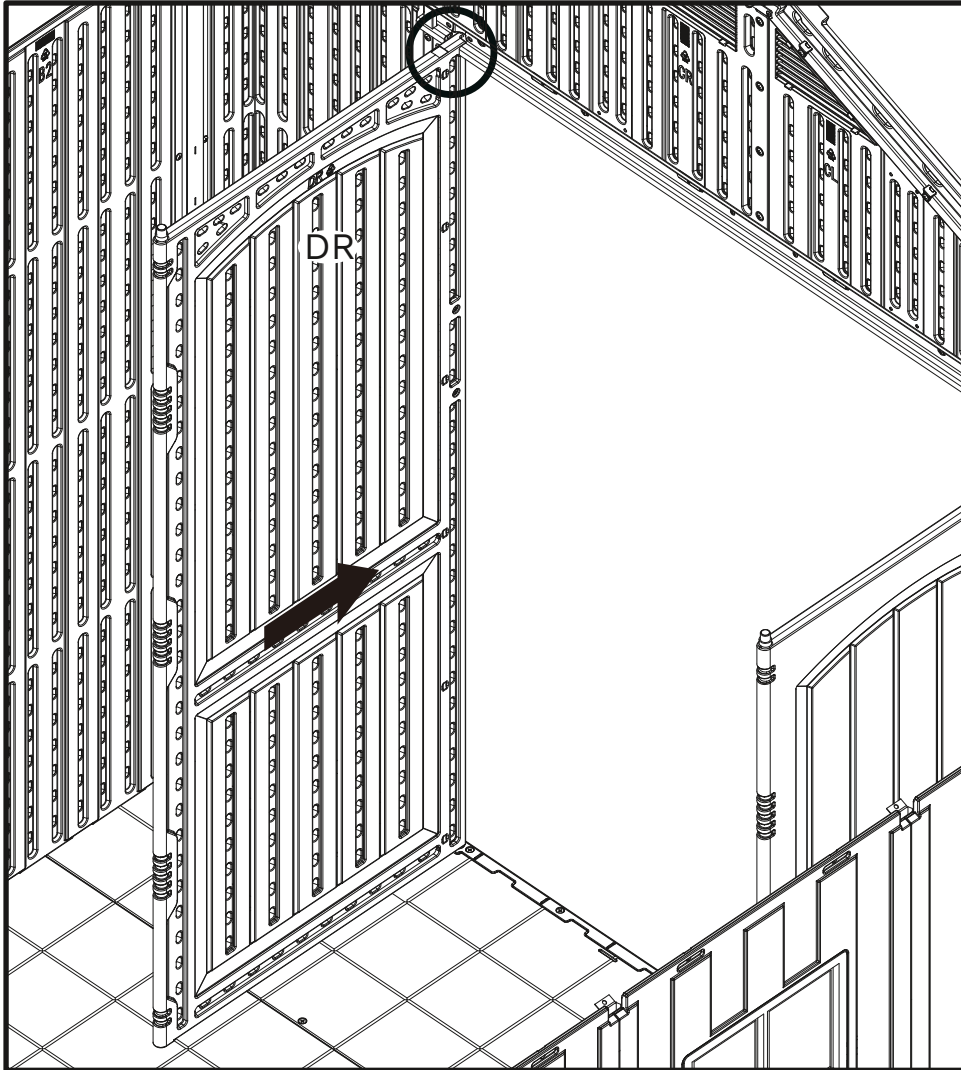
# STEP 55



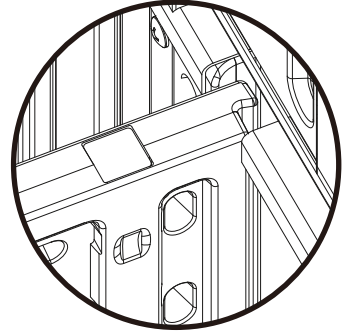
# STEP 56



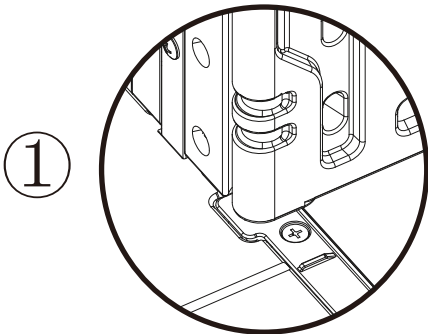
# STEP 57



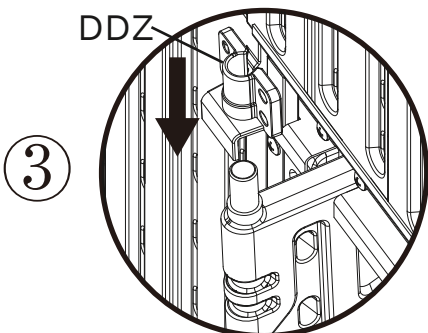
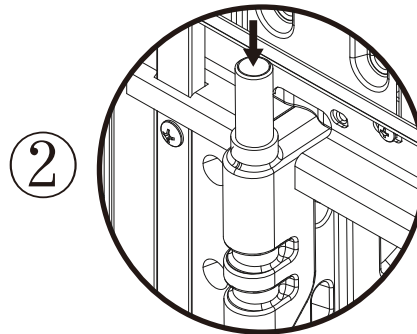
Before installation, please watch the video. Please follow the installation details in the video to avoid product damage.



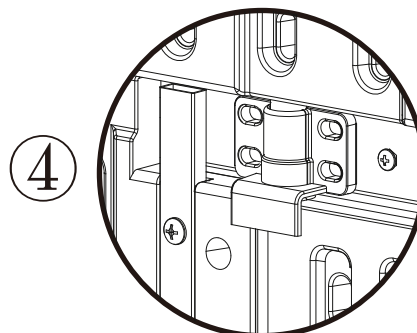
Take the DR and DL inside. Push it forward into position.



Push it into the groove of the floor. Press the DZ downwards.

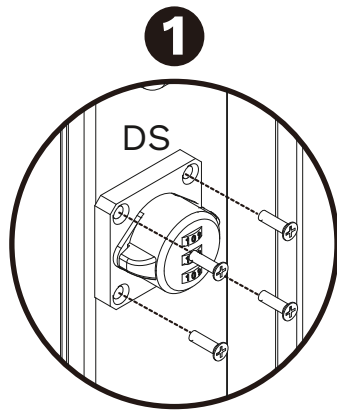
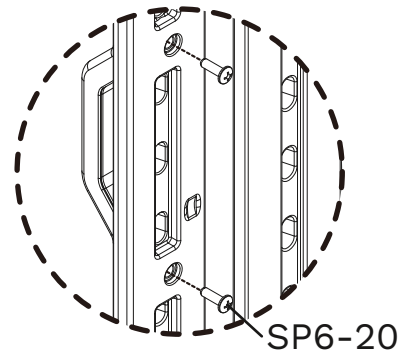
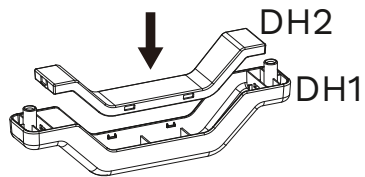
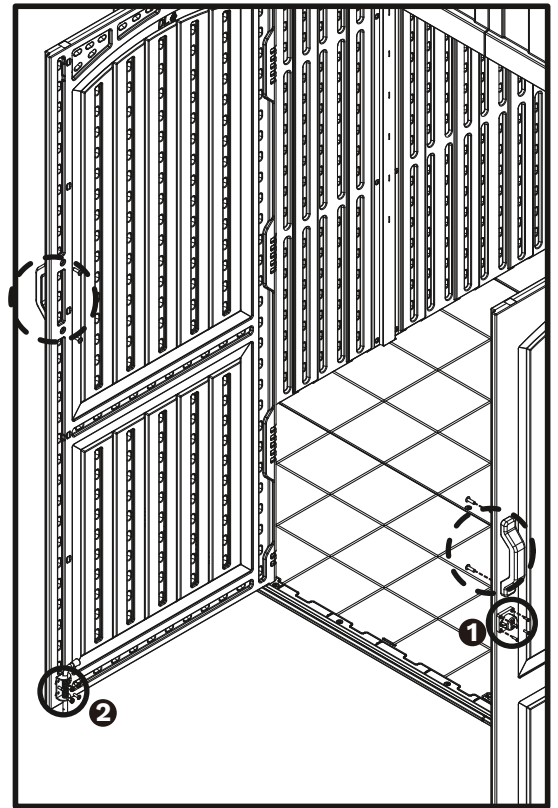
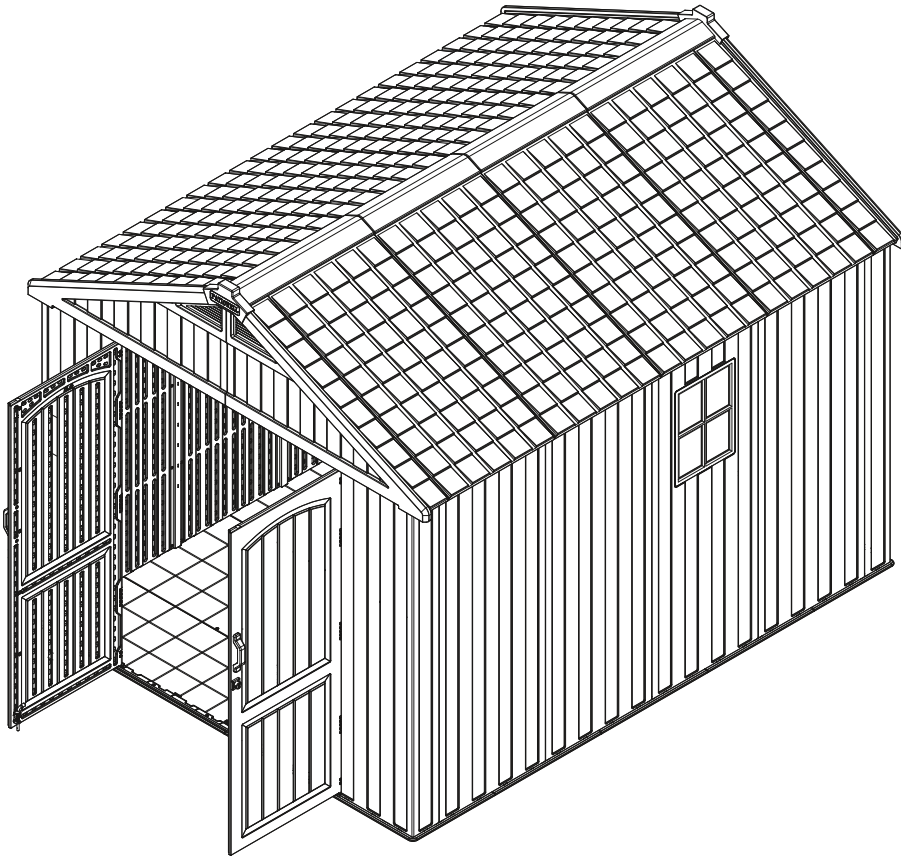


Tilting the DR and DL and snapping it into the DDZ.

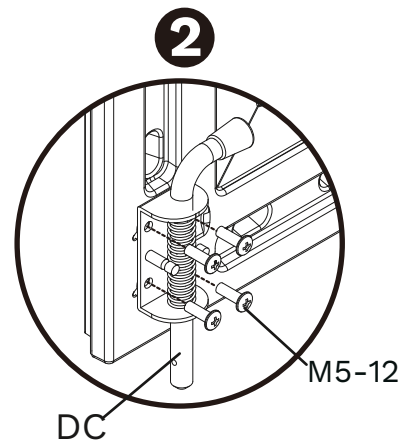




After inserting the DDZ, push the DR and DL to the fitting position.

# STEP 58

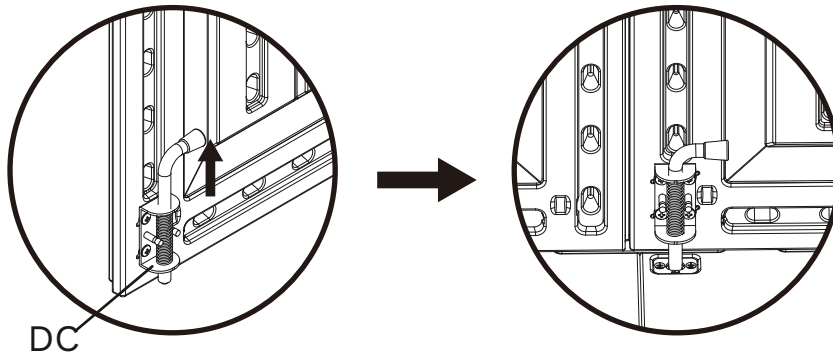
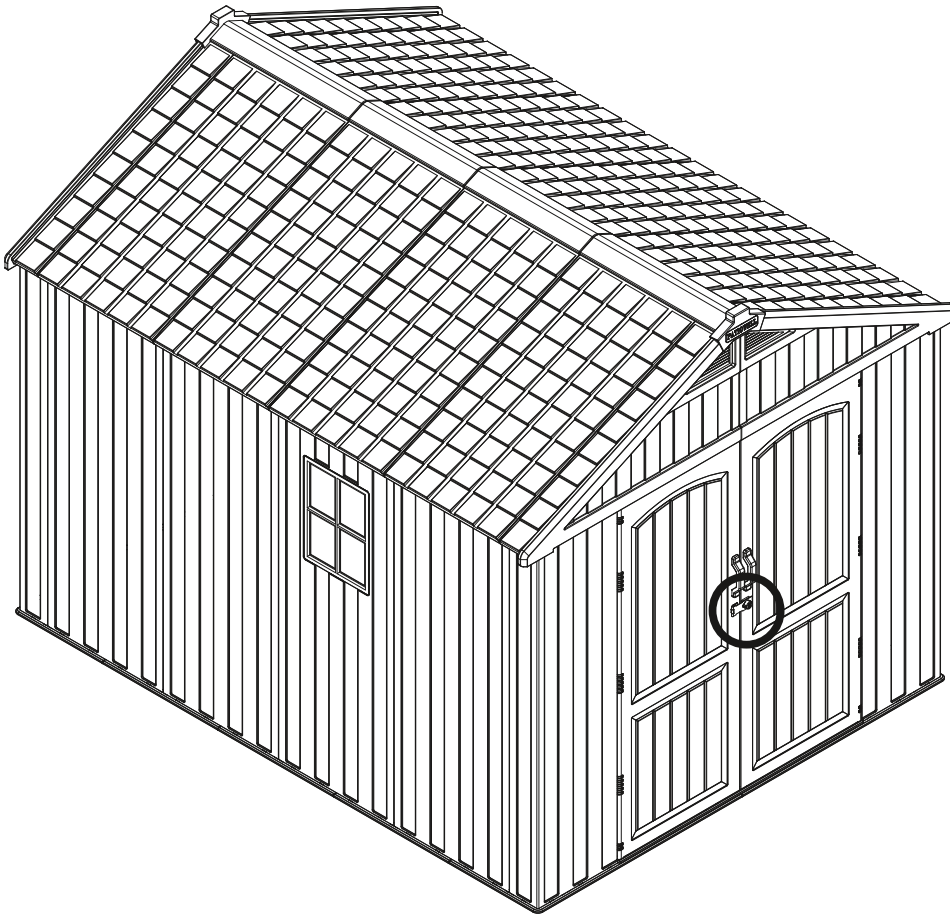


4 long screws for mounting part DS (lock part)



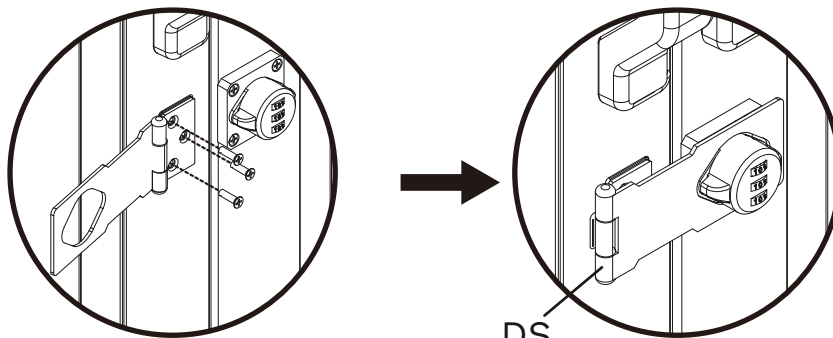
	
SP6-20	M5-12
4 pcs	4 pcs

# STEP 59



DC

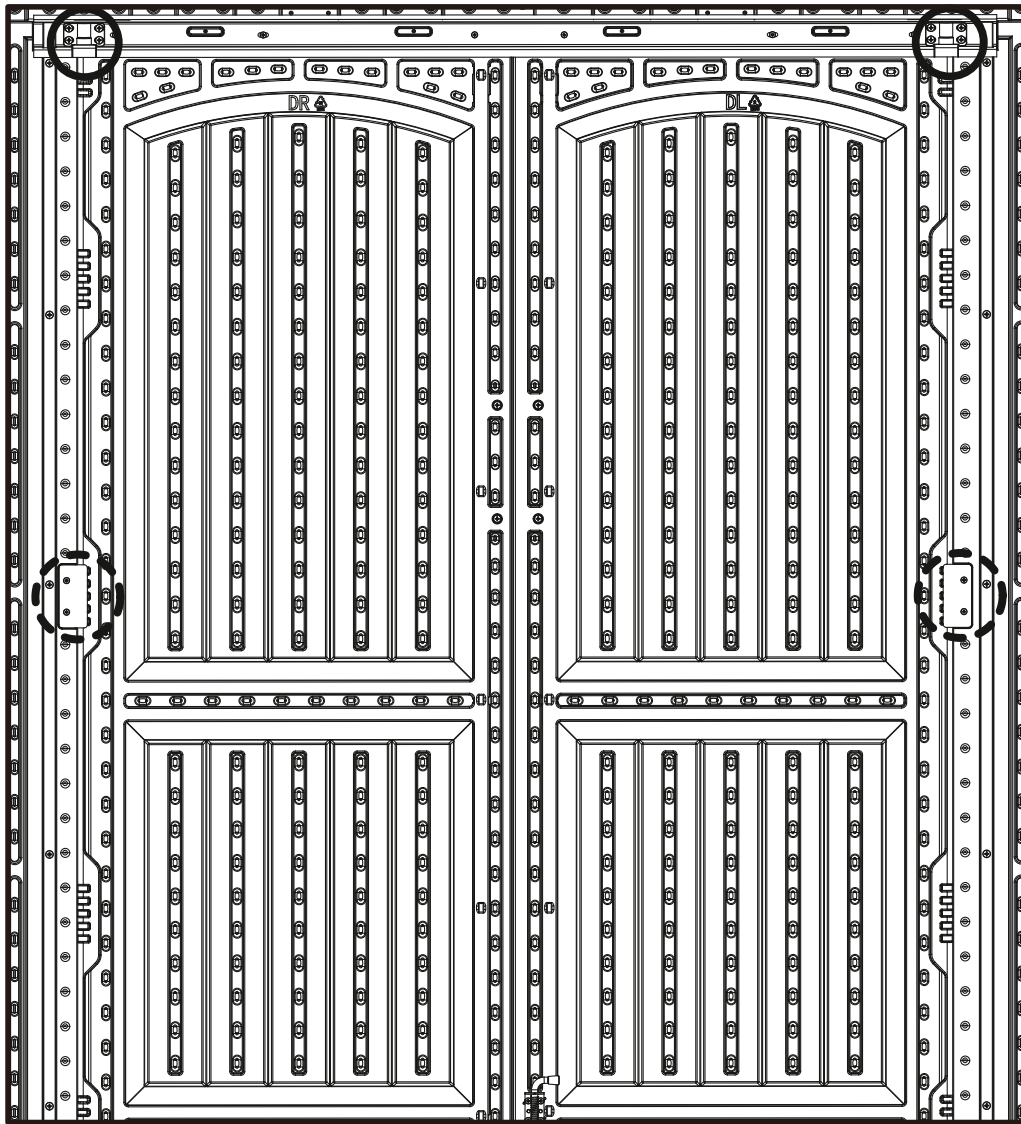
Remember to unplug the DC when closing the door and put it down when the door is closed.



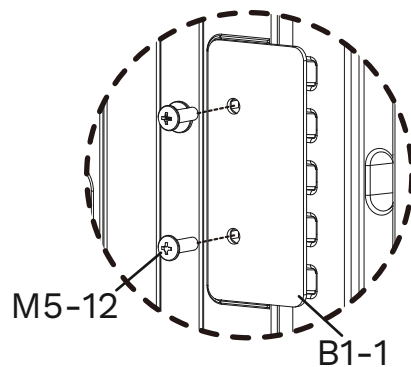
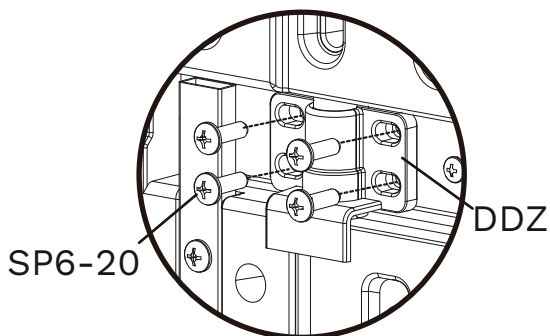
3 short screws for mounting part DS (hinge section)



DS

# STEP 60



Two people are needed. One person closes the door and inserts the pin, while the other person adjusts the gap outside the door. After making sure the gap is even, the person inside installs DDZ screws SP6-20.



	
SP6-20	M5-12
8 pcs	4 pcs

## CARE & SAFETY

- In case of fire, do not attempt to extinguish any burning polypropylene with water
- Unsuitable for storage of flammable or corrosive substances.
- It is of utmost importance to assemble all of the parts according to the directions. Do not skip any step.
- Please consult your local authorities if any permits are required to erect shed.
- Periodically check shed to assure that it remains stable and that the site remains level.
- It is highly recommended to secure the shed to an immovable object or to the ground by drilling holes in the floor at the pre-marked locations and inserting proper screws into the ground (size: 1.9"-3" ,screws are not included).
- Wear safety-goggles and always follow the manufacturer's instructions when using power tools.
- Wash shed with garden hose or a mild detergent solution. Using a stiff brush or abrasive cleaner could damage shed.
- Hot items such as recently used grills, blowtorches, etc. must not be stored in the shed.
- Heavy articles should not be leaned against the walls, as this may cause distortion.
- Keep roof clean of snow and leaves. Heavy amounts of snow on roof can damage the shed making it unsafe to enter.
- Although wind direction varies, it is an important factor when taking into account where to place your shed. Therefore, it is recommended to reduce wind exposure of the shed in general, and the door side in particular.
- Keep doors closed and locked to prevent wind damage.
- Do not stand on the roof.