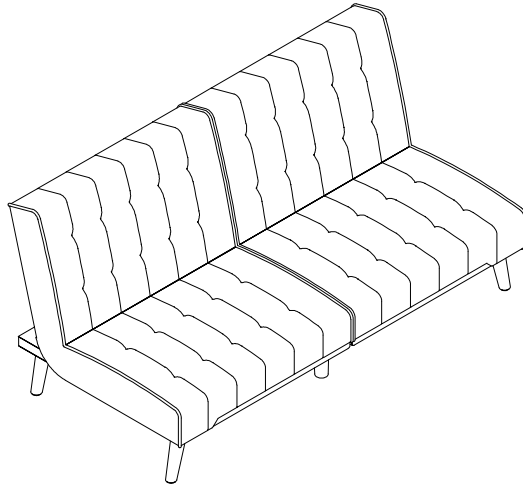
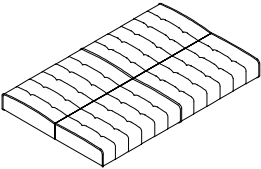
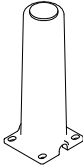
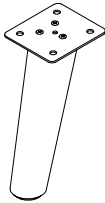


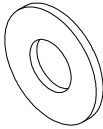



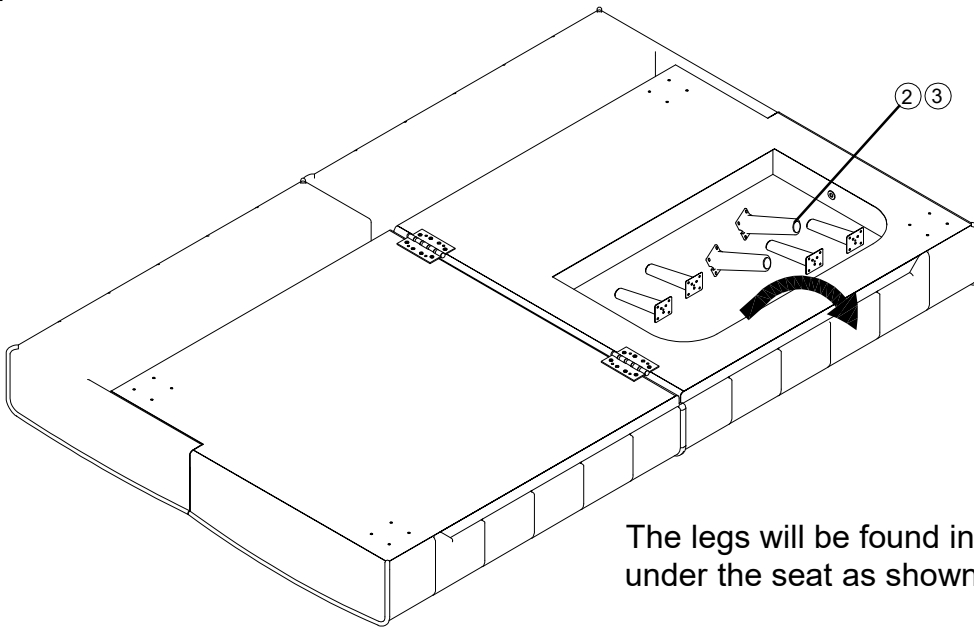
# Assembly instruction



## PARTS:

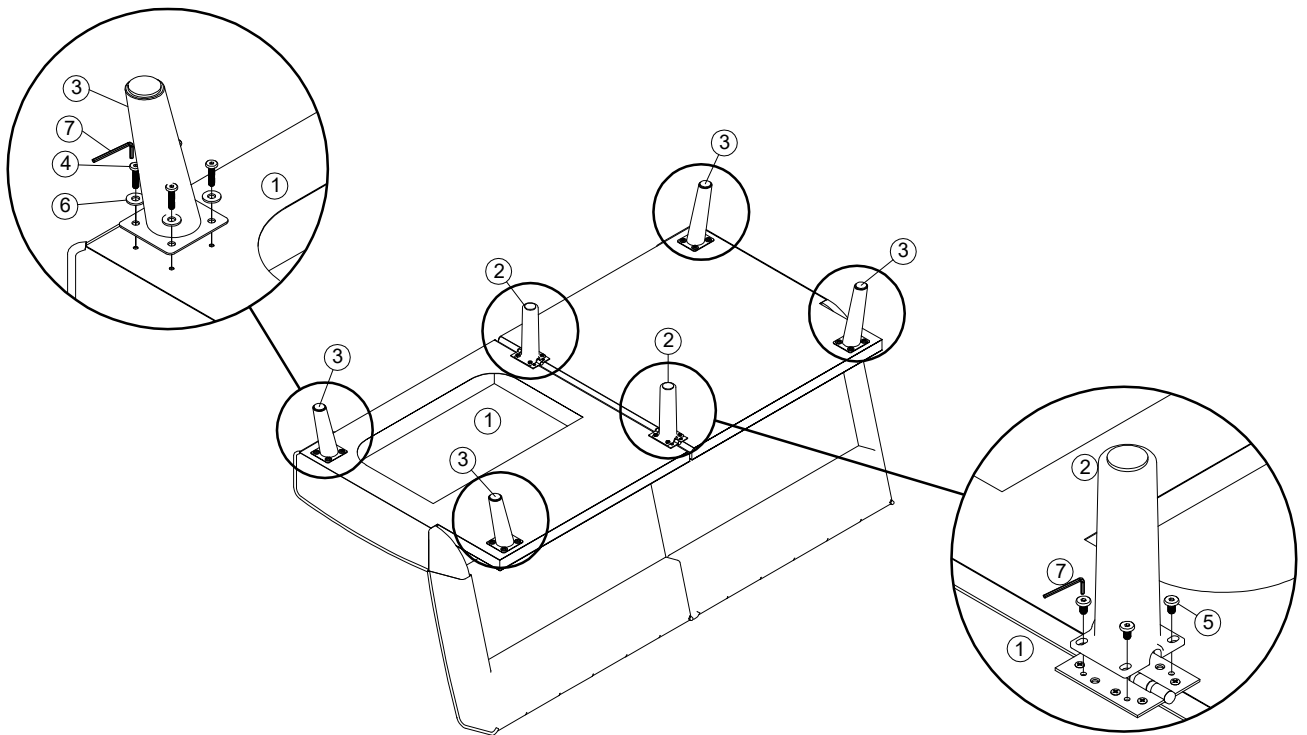
① Seat QTY: 1	② Middle Leg QTY: 2	③ Leg QTY: 4	④ 1/4" X 1" QTY: 16
			
⑤ M6 X 6mm QTY: 8	⑥ Washer QTY: 16	⑦ L-Allen Key 4mm QTY: 1	
			

## Step 1:



The legs will be found in the compartment under the seat as shown.

## Step 2:



**FUNCTIONS:**

