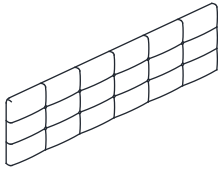
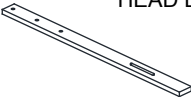











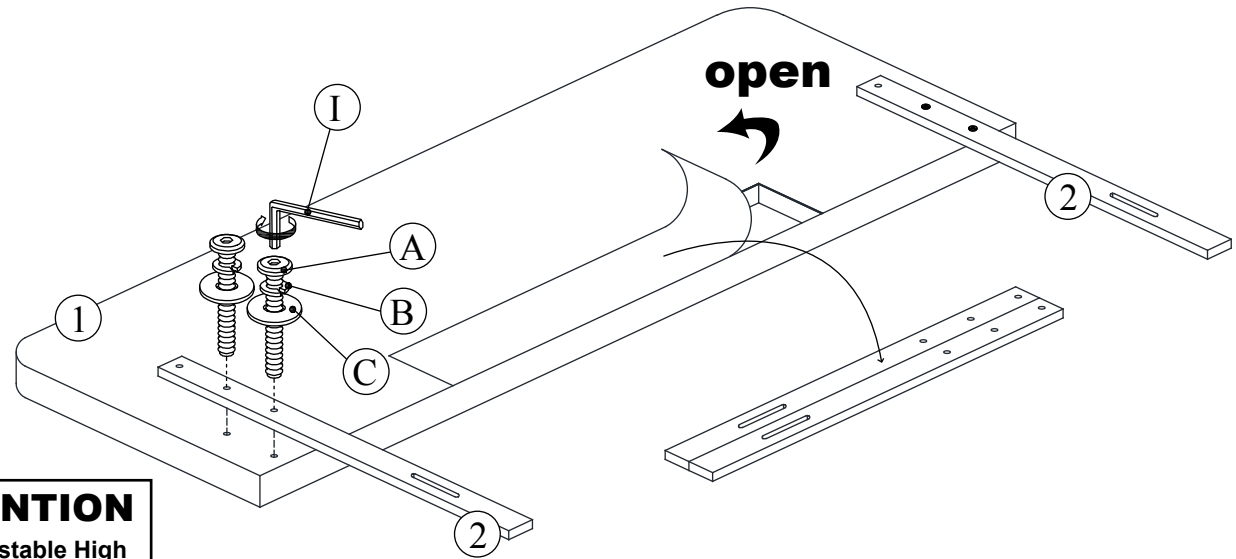
ASSEMBLY INSTRUCTION

STEP 1

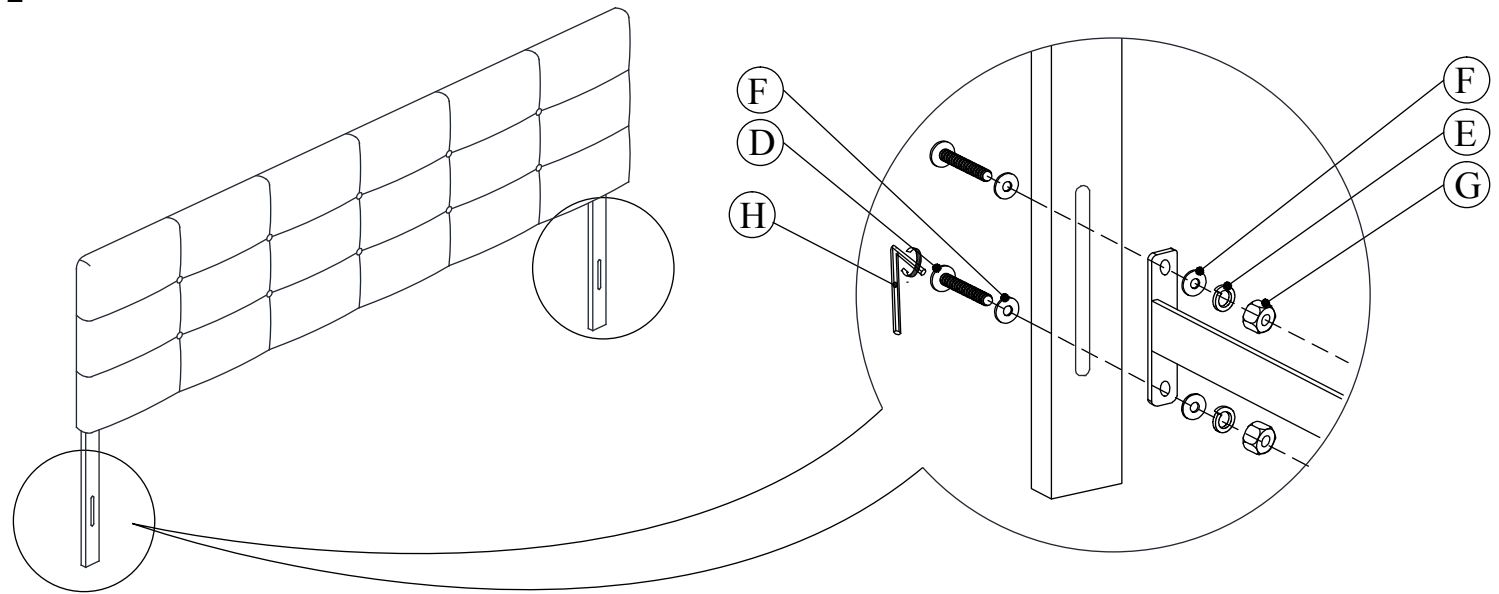
NO	PART LIST	QTY
1	HEAD BOARD 	1pc
2	HEAD BOARD LEG 	2pcs

NO	HARDWARE LIST	QTY
A	 JCBC SCREW M8 x 35mm	4pcs
B	 SPRING WASHER M8 x 14mm	4pcs
C	 FLAT WASHER M8 x 22mm	4pcs
D	 JCBC SCREW M6 x 50mm	4pcs
E	 SPRING WASHER M6 x 12mm	4pcs
F	 FLAT WASHER M6 x 19mm	8pcs
G	 HEX NUT M6 x 5mm	4pcs
H	 L - KEY M4 x 65mm	1pc
I	 L - KEY M5 x 65mm	1pc

ATTENTION
Leg Adjustable High



STEP 2



NOTE: AFTER A FEW DAYS OF ASSEMBLY, IT WILL HAVE ACCLIMATIZED TO THE ENVIRONMENT. PLEASE TIGHTEN ALL HARDWARE. CHECK TIGHTNESS OF ALL SCREWS EVERY 6-8 WEEKS.