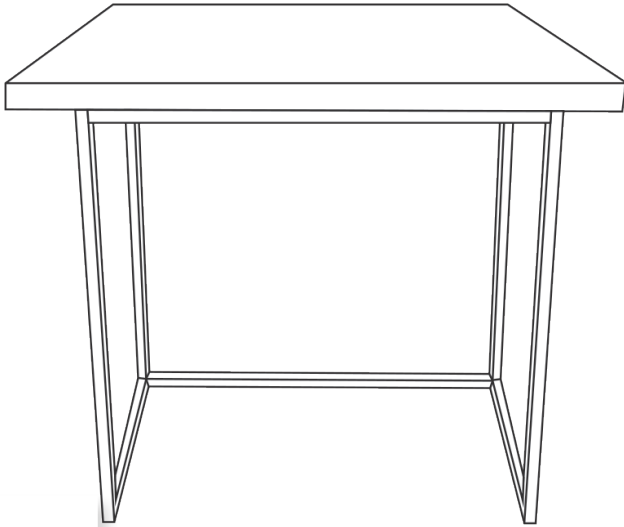


ASSEMBLY GUIDE



Important - Please read these instructions fully before starting assembly



**SAFETY AND
CARE ADVICE**



NO POWER TOOLS

SAFETY AND CARE ADVICE

- Check you have all the components and tools listed.
- Remove all fittings from the plastic bags and separate them into their groups.
- We do not recommend the use of power drills/drivers for inserting screws, as this could damage the unit. Only use hand screwdrivers and Allen keys.
- Keep children and animals away from the work area, small parts could cause choking if swallowed.
- Make sure you have enough space to layout the parts before starting.
- Assemble the item as close to its final position (in the same room) as possible.
- Do not overtighten the nuts to avoid causing damage to the threads.
- Only clean using a damp cloth and mild detergent, do not use bleach or abrasive cleaners.
- From time to time check that there are no loose screws on this unit
- This product should not be discarded with household waste. Take to your local authority waste disposal centre

IMPORTANT INFORMATION



30 MINUTE
BUILD

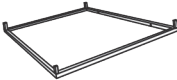
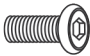



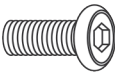







TWO
PERSON



MAXIMUM
CAPACITY 100Kg

PLEASE CHECK CAREFULLY AND MAKE SURE YOU HAVE ALL FITTINGS AND TOOLS LISTED BELOW BEFORE YOU START.

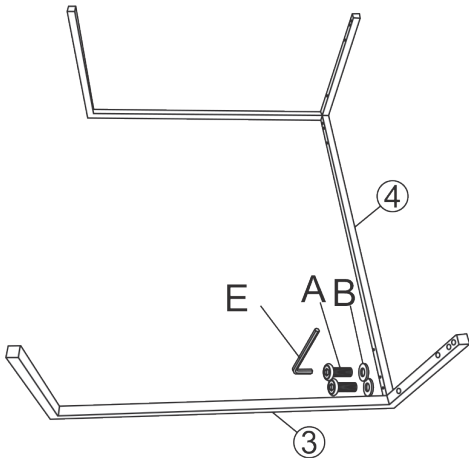
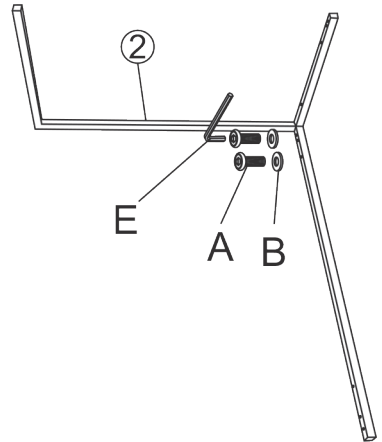
<p>①</p>  <p>X1</p>	<p>A</p>  <p>6x10mm X12</p>
<p>②</p>  <p>X1</p>	<p>B</p>  <p>Ø 6mm X12</p>
<p>③</p>  <p>X1</p>	<p>C</p>  <p>8x30mm X8</p>
<p>④</p>  <p>X1</p>	<p>D</p>  <p>8x18mm X8</p>
<p>⑤</p>  <p>X1</p>	<p>E</p>  <p>Ø4mm X1</p>
	<p>F</p>  <p>Ø5mm X1</p>

NOTE: The quantities above are the correct amount to complete the assembly. In some cases more fittings may be supplied than are required.

STEP 1

Use a clear, flat, soft surface to avoid bumps or scratches.

Attach leg frame part [2] to leg frame part [4] using 2 x washer [B] followed by 2 x screw [A] and tighten with Allen key [E].

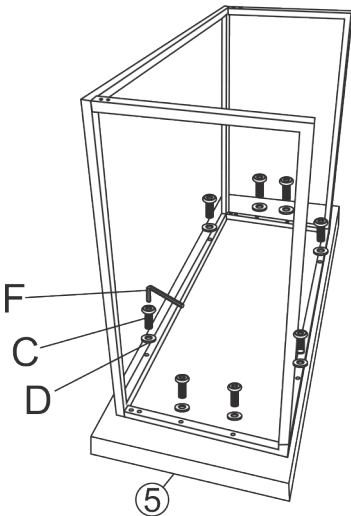
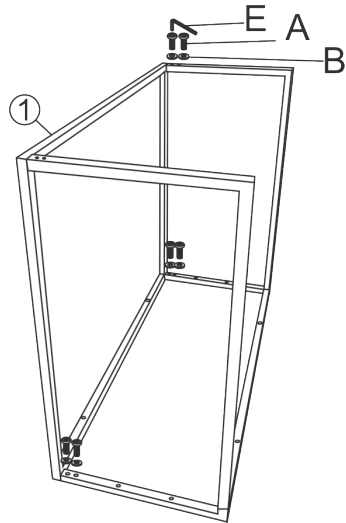


STEP 2

Attach leg frame part [4] to leg frame part [3] using 2 x washer [B] followed by 2 x screw [A] and tighten with Allen key [E].

STEP 3

Attach leg frame part [1] to the rest of the leg frame using 2 x washer [B] followed by 2 x screw [A] at each corner. Tighten with Allen key [E].

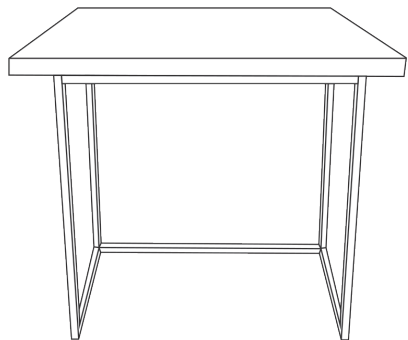


STEP 4

Place tabletop [5] face down on a soft, flat surface. Attach leg frame to tabletop 2 x washer [D] followed by 2 x screw [C] on each side of the leg frame. Tighten all screws with Allen key [F].

STEP 5

ATTENTION: Carefully, and with help, turn your table over so it rests on its base. Check for stability. Your console table is now ready to use.





WE **L**OVE INTERIORS! SHARE YOURS WITH US ON SOCIAL MEDIA

1. follow us on Instagram
2. post your interior
3. tag us to be featured



OUR 2 YEAR* GUARANTEE

our products come with a 2 year guarantee to give you peace of mind shopping at

*excludes some garden furniture items which have a 1 year guarantee



WHAT THE GUARANTEE COVERS



PRE-INSERTED FIXINGS

e.g. lose metal threads



FAULTY JOINTS

e.g. legs bending



EXTERNAL FIXING FAULTS

e.g. bonding/glue



STRUCTURAL INTEGRITY

e.g. the frame of the product