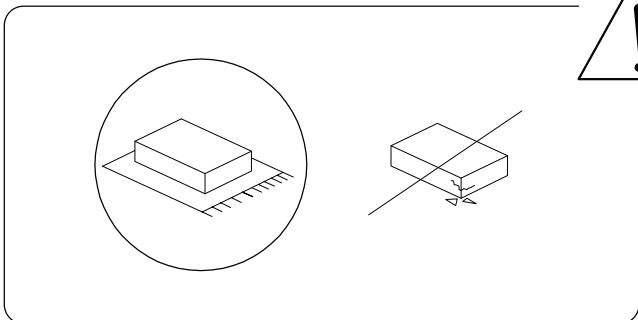
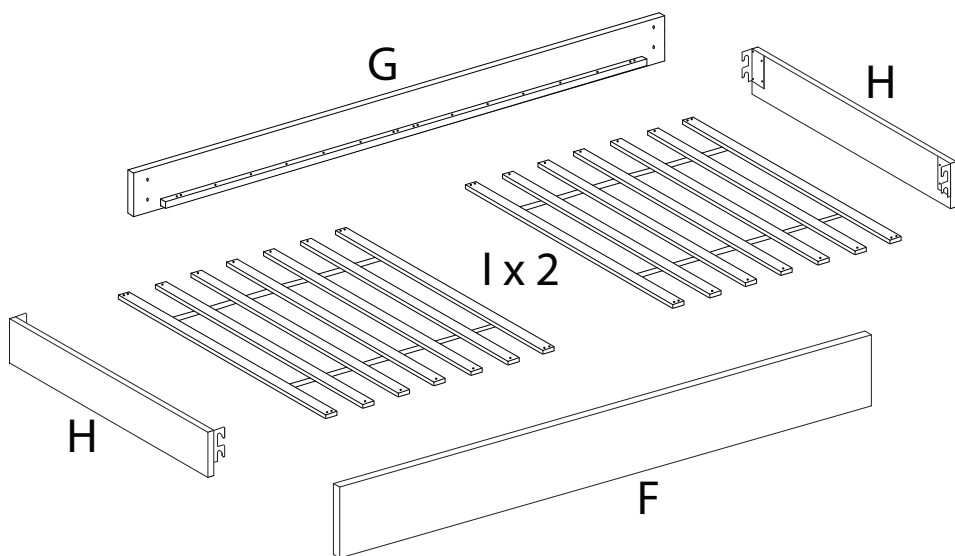
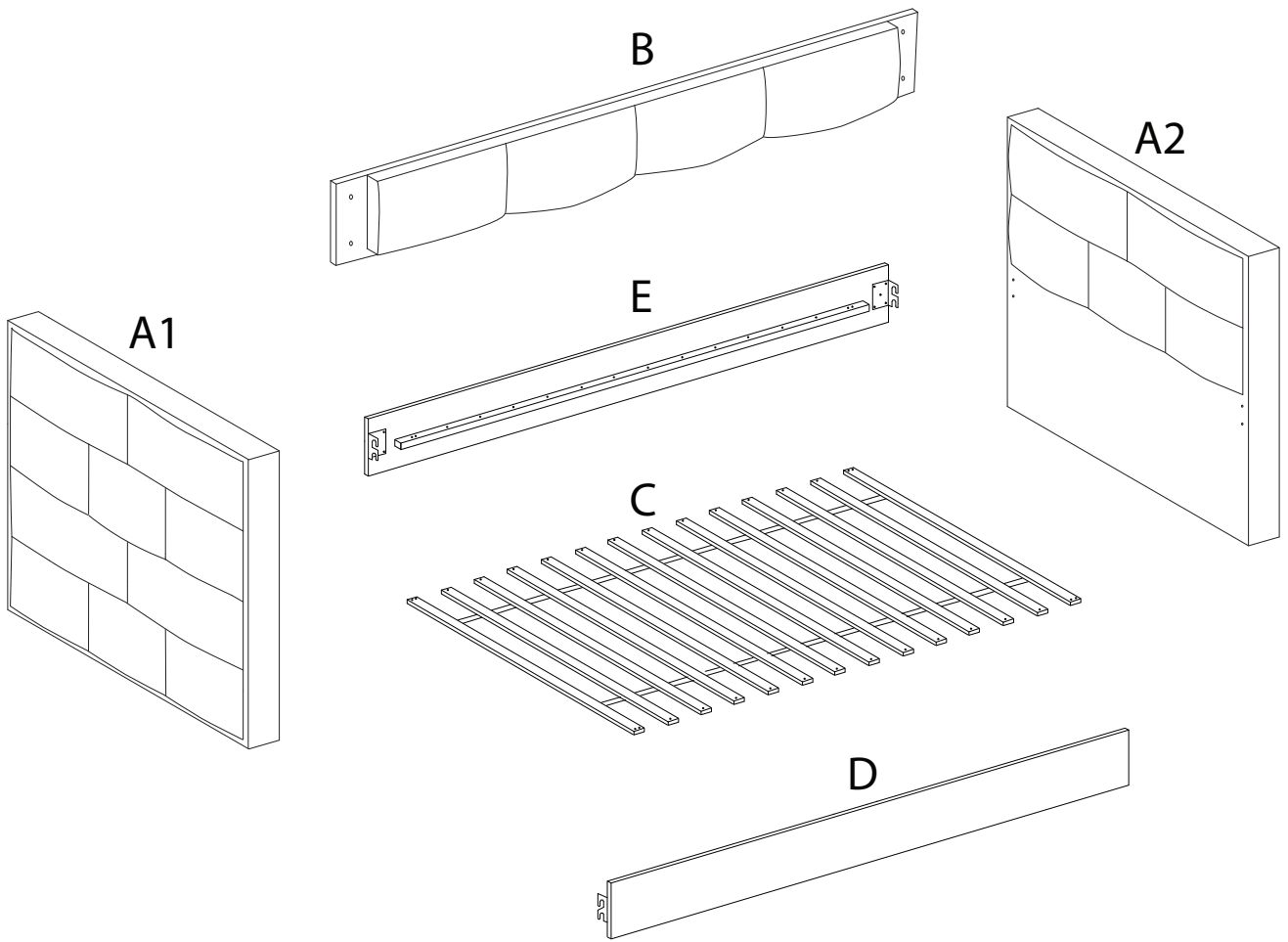


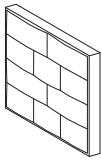
60'



2

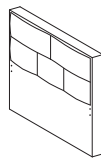


A1



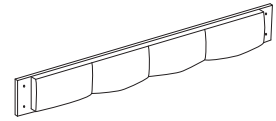
x 1

A2



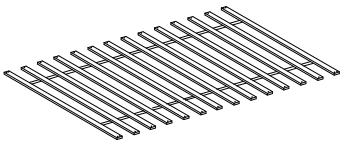
x 1

B



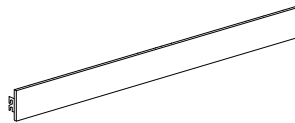
x 1

C



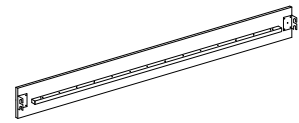
x 1

D



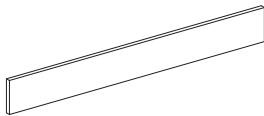
x 1

E



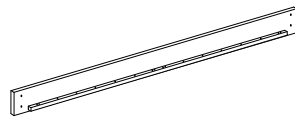
x 1

F



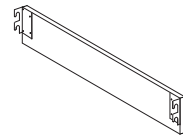
x 1

G



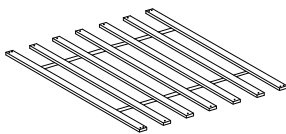
x 1

H



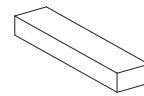
x 2

I



x 2

J



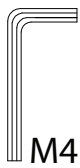
x 4

1



x 1

2



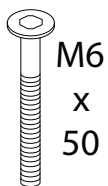
x 1

3



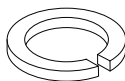
x 70

4



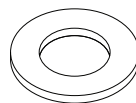
x 4

5



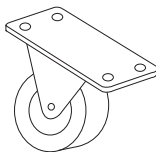
x 4

6



x 4

7



x 6

8



x 24

9



x 16

1

A1



x 1

A2



x 1

1

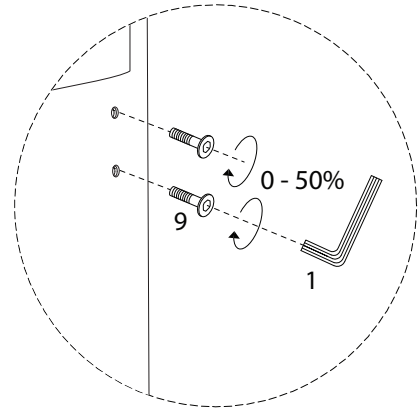
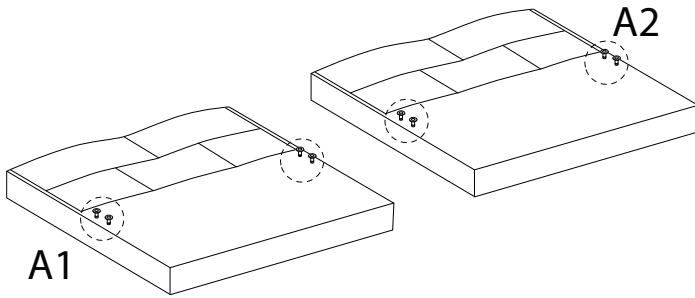


x 1

9



x 8



2

D



x 1

E

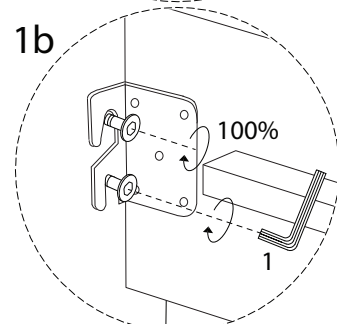
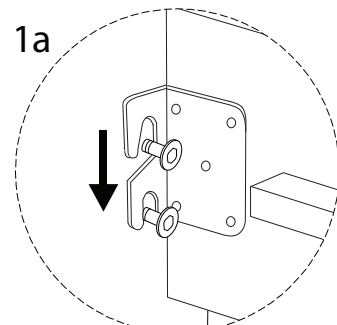
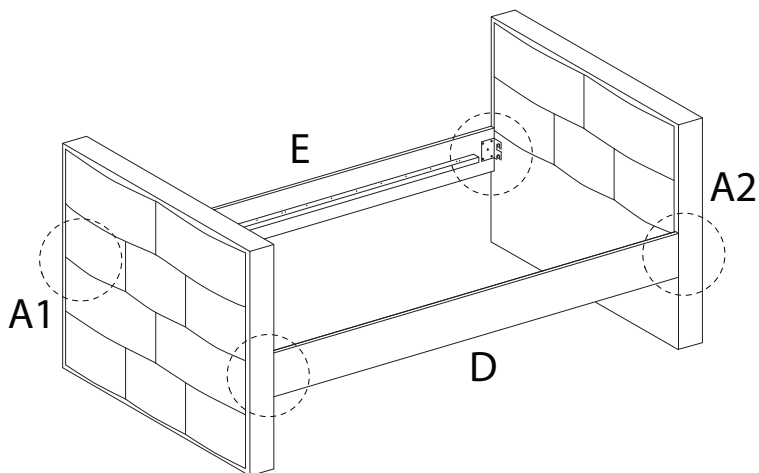


x 1

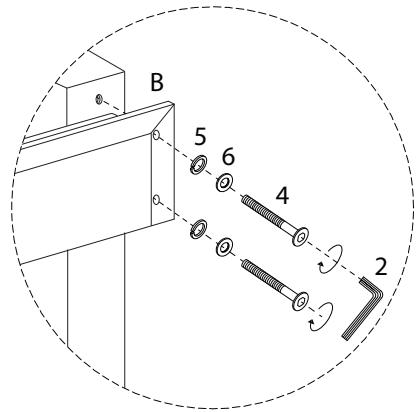
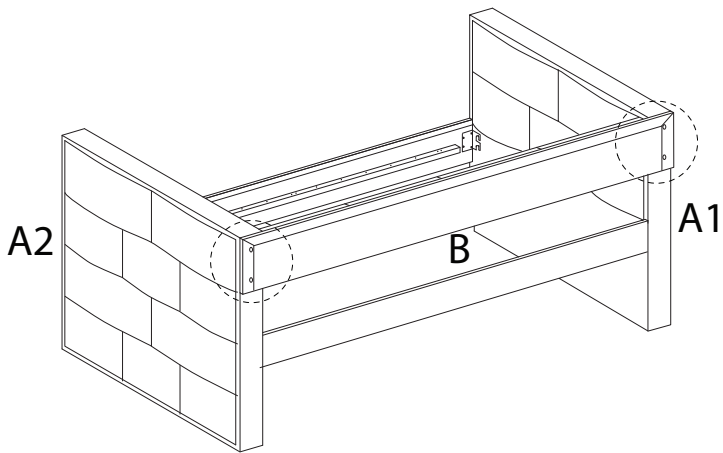
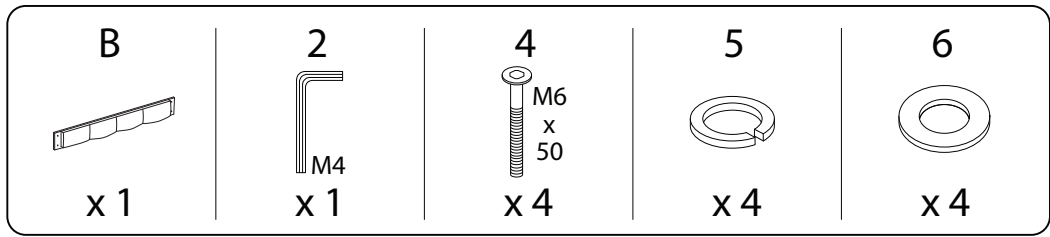
1



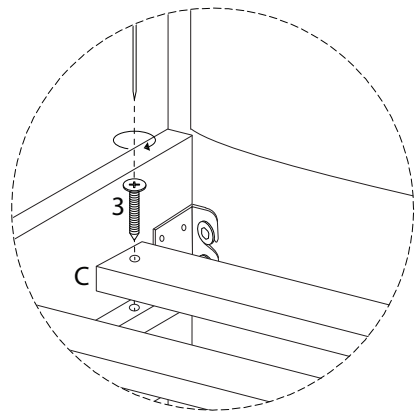
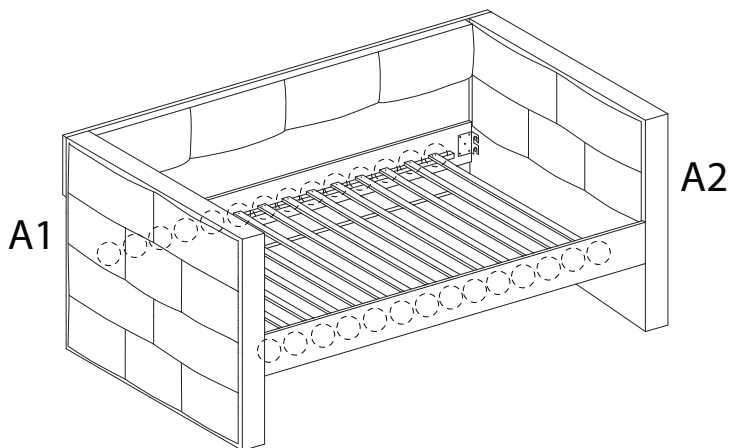
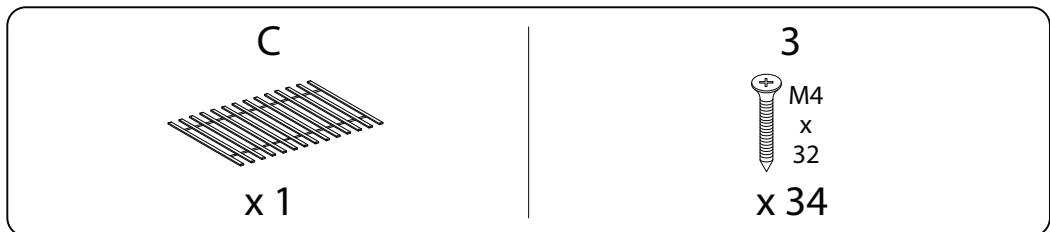
x 1



3

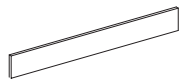


4



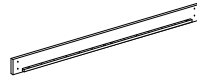
5

F



x 1

G



x 1

1

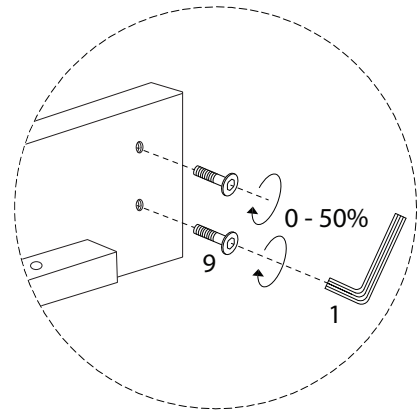
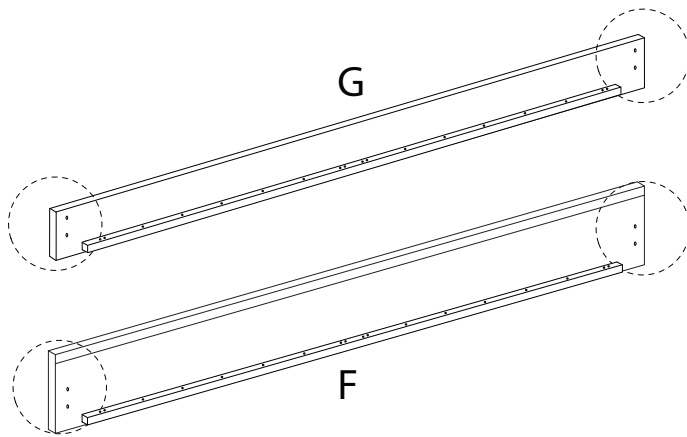


x 1

9

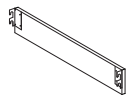


x 8



6

H

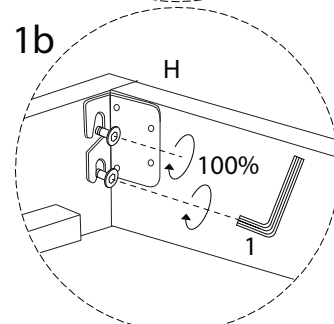
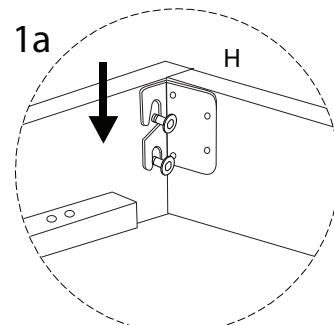
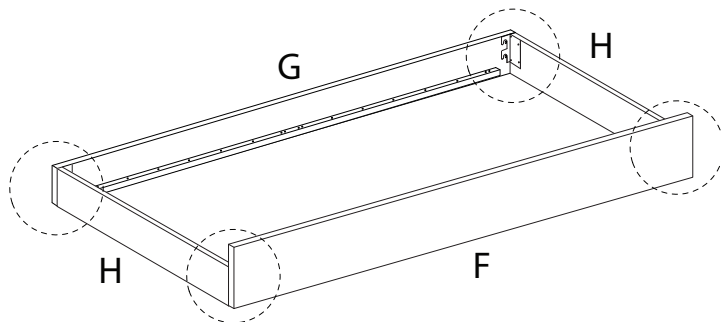


x 2


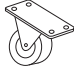

1

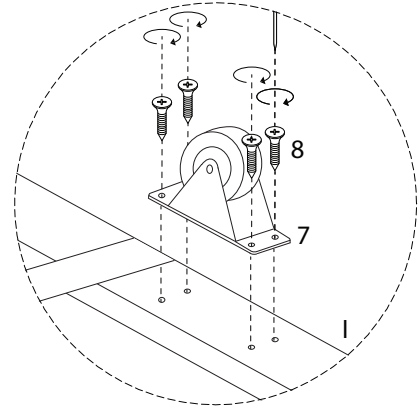
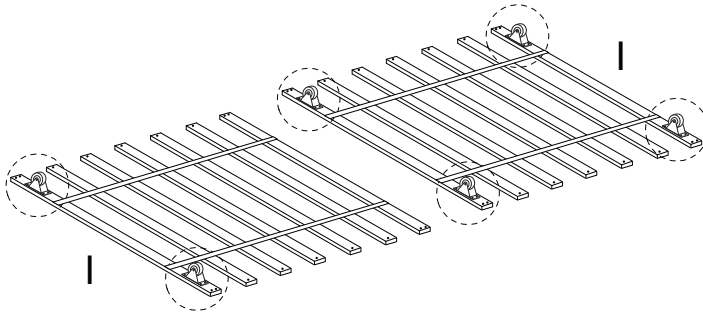


x 1

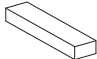



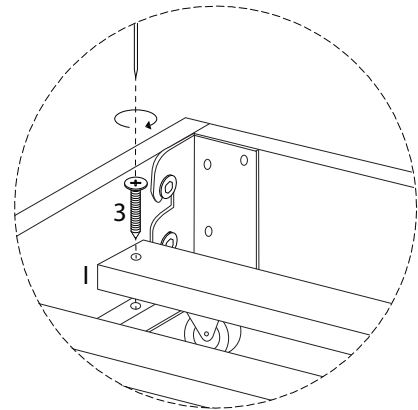
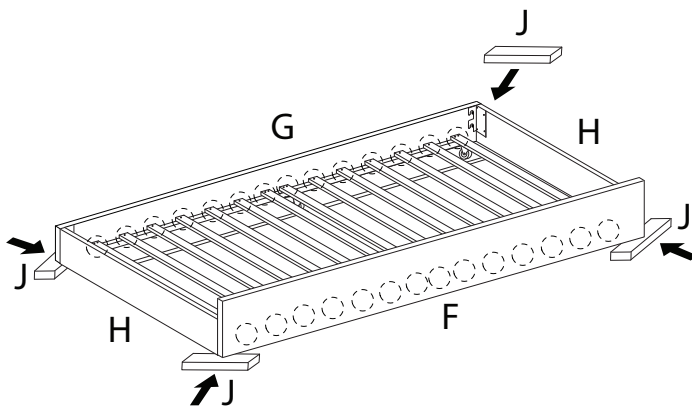
7

<p>I</p>  <p>x 2</p>	<p>7</p>  <p>x 6</p>	<p>8</p>  <p>x 24</p>
---	---	--

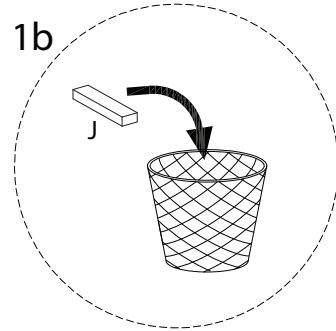
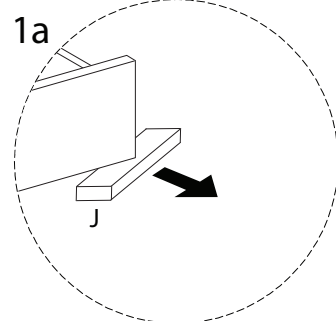
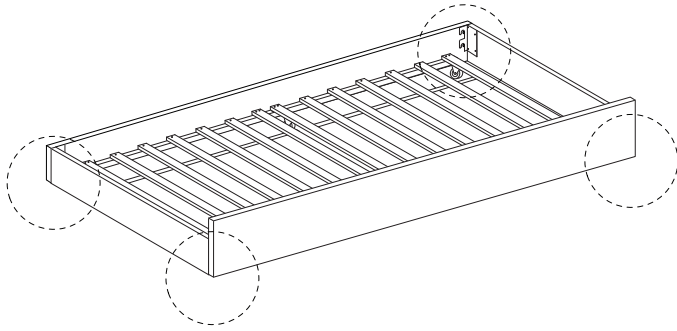


8

<p>J</p>  <p>x 4</p>	<p>3</p>  <p>x 36</p>
---	--



9



10

