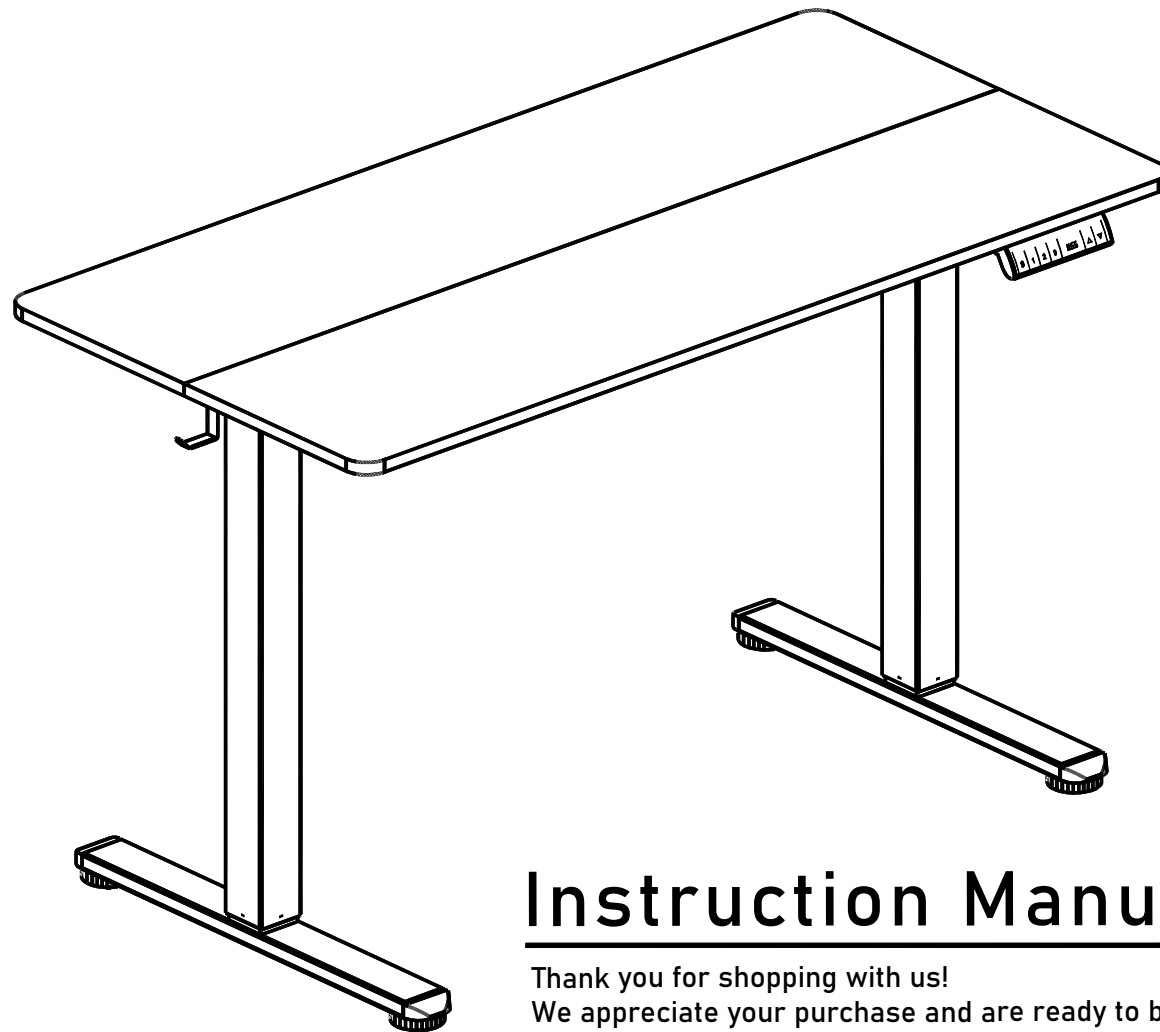


Electric Standing Desk



Instruction Manual

Thank you for shopping with us!

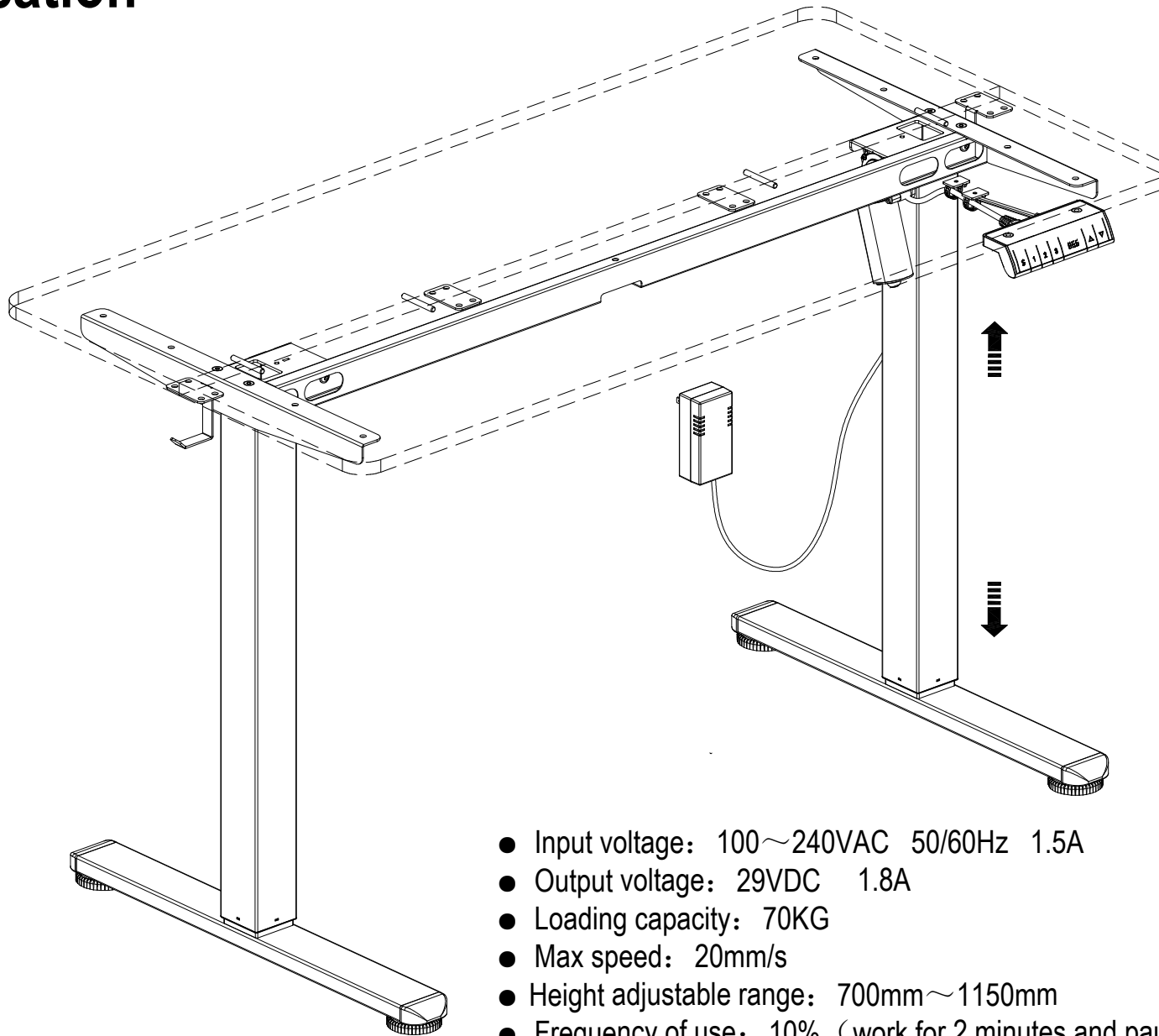
We appreciate your purchase and are ready to be at your service!

If you find parts missing, broken, or hard to put together or when you are not satisfied or have any valuable suggestions, please do not hesitate to contact us first!

We will definitely give you a satisfactory solution or answer then!

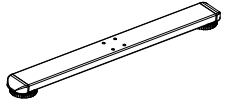
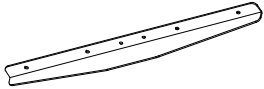
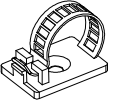
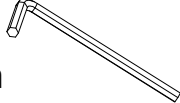
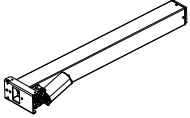
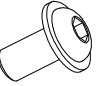
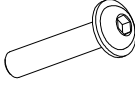
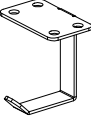
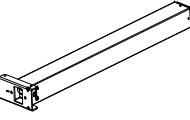
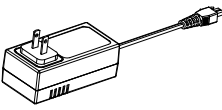

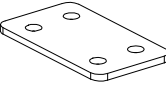

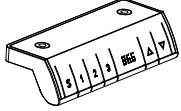
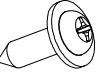


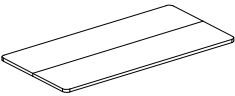
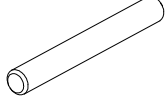

Contact us at our after-sales service email:

Specification

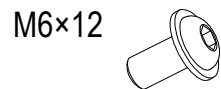


- Input voltage: 100~240VAC 50/60Hz 1.5A
- Output voltage: 29VDC 1.8A
- Loading capacity: 70KG
- Max speed: 20mm/s
- Height adjustable range: 700mm~1150mm
- Frequency of use: 10% (work for 2 minutes and pause for 18 minutes)
- Operate temperature: 0~40℃

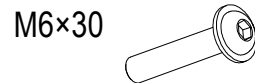
Packing list

NO.	Accessories	NO.	Accessories	NO.	Accessories	NO.	Accessories
①	 × 2	⑥	 × 2	⑪	 × 2	⑯	 × 1
②	 × 1	⑦	M6×12  × 4	⑫	M6×30  × 8	⑰	 × 2
③	 × 1	⑧	 × 1	⑬	M6×10  × 4	⑱	 × 2
④	 × 1	⑨	 × 1	⑭	ST5×14  × 27	⑲	
⑤	 × 1	⑩	 × 1	⑮	 × 5	⑳	

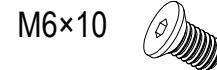
Spare Parts



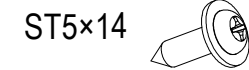
1 pcs



1 pcs

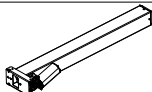
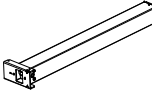


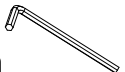


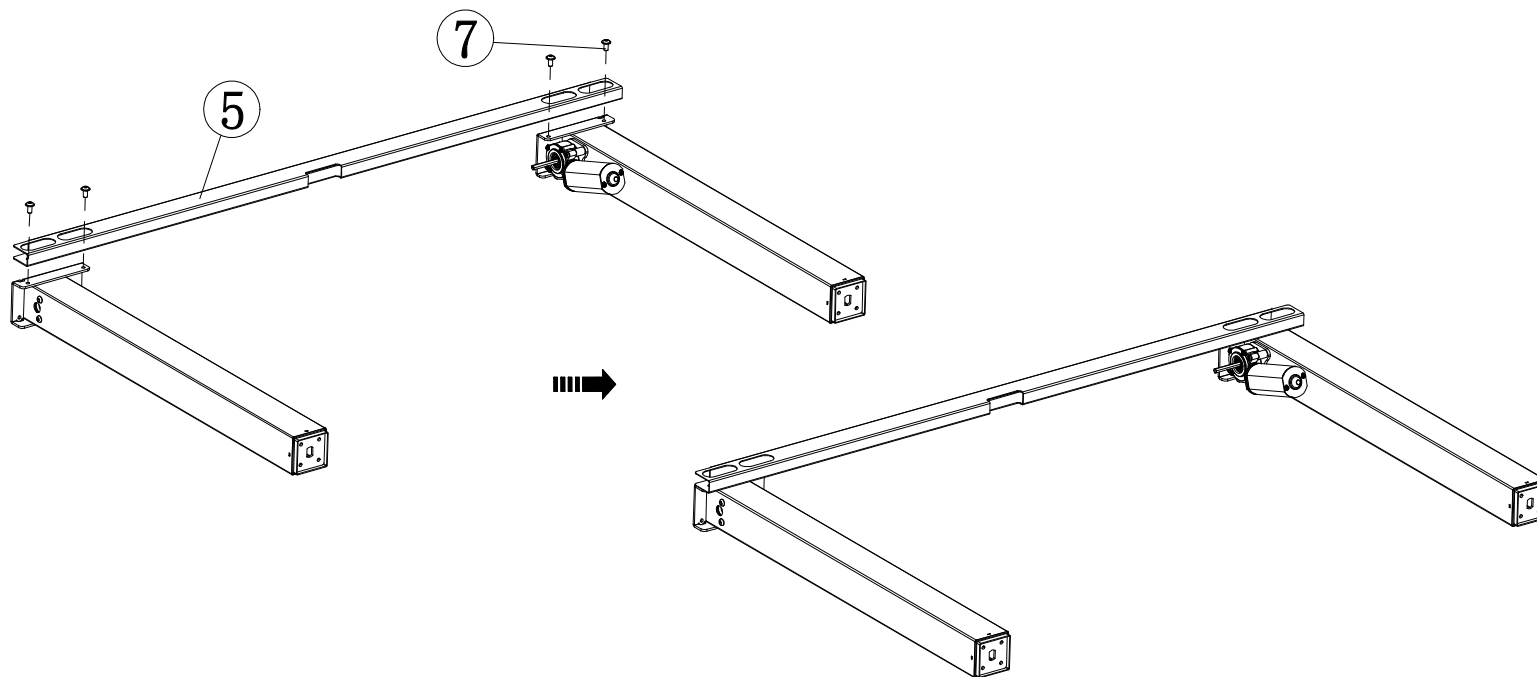
1 pcs



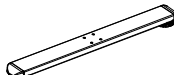
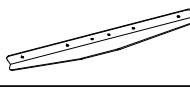


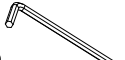
1 pcs

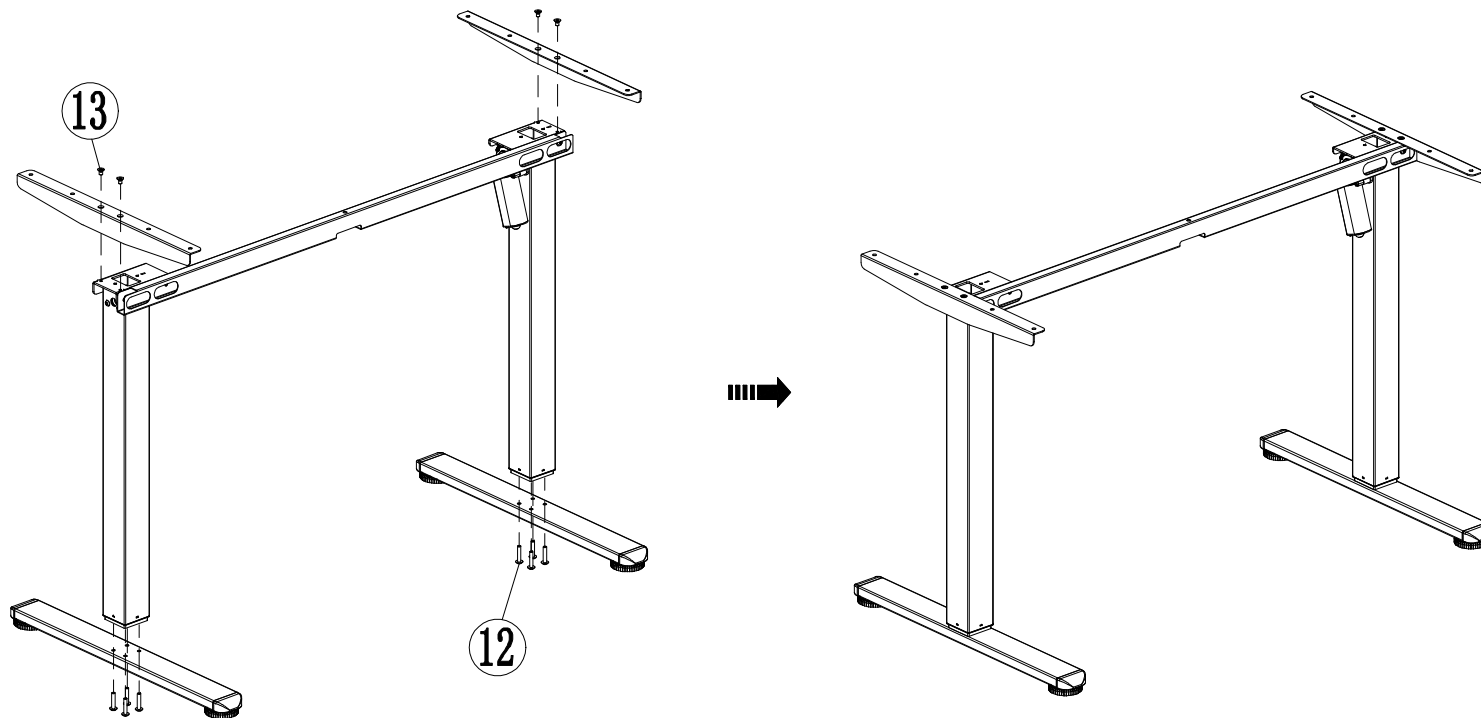
Step1

②		×1
③		×1
⑤		×1
⑦	M6×12 	×4
⑯	4mm 	×1

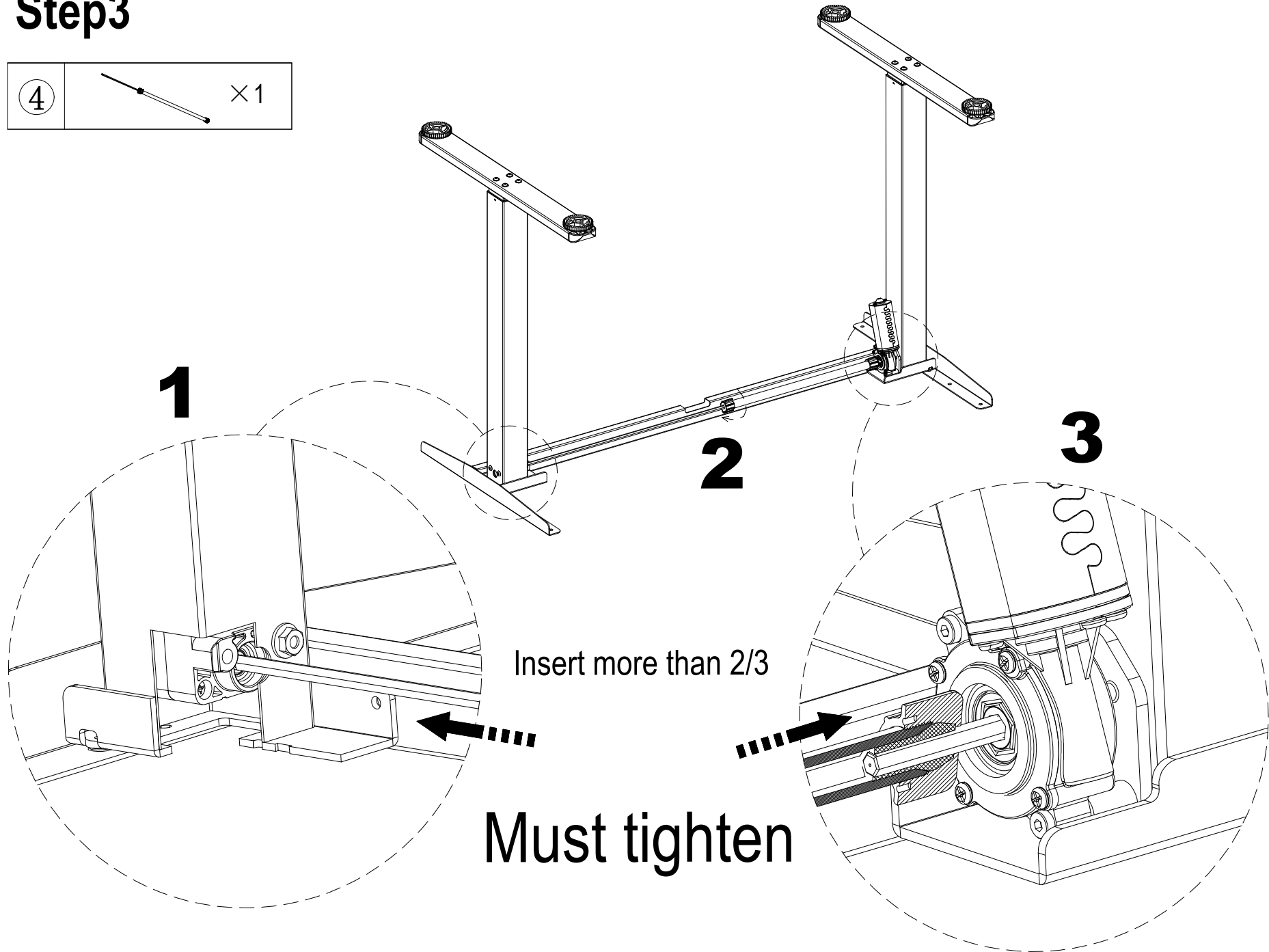
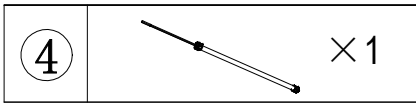


Step2

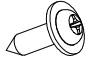
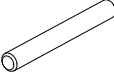



①		×2
⑥		×2
⑫	M6×30 	×8
⑬	M6×10 	×4
⑯	4mm 	×1

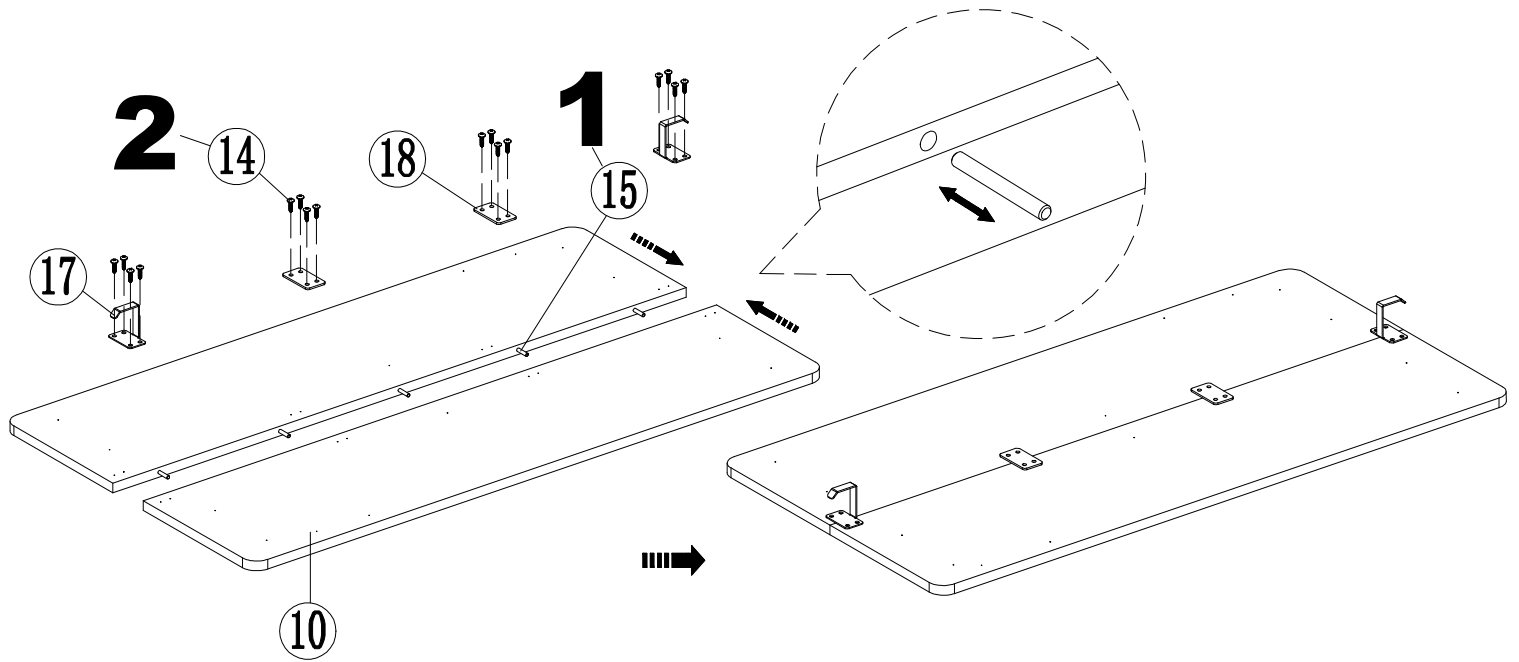


Step3


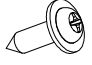


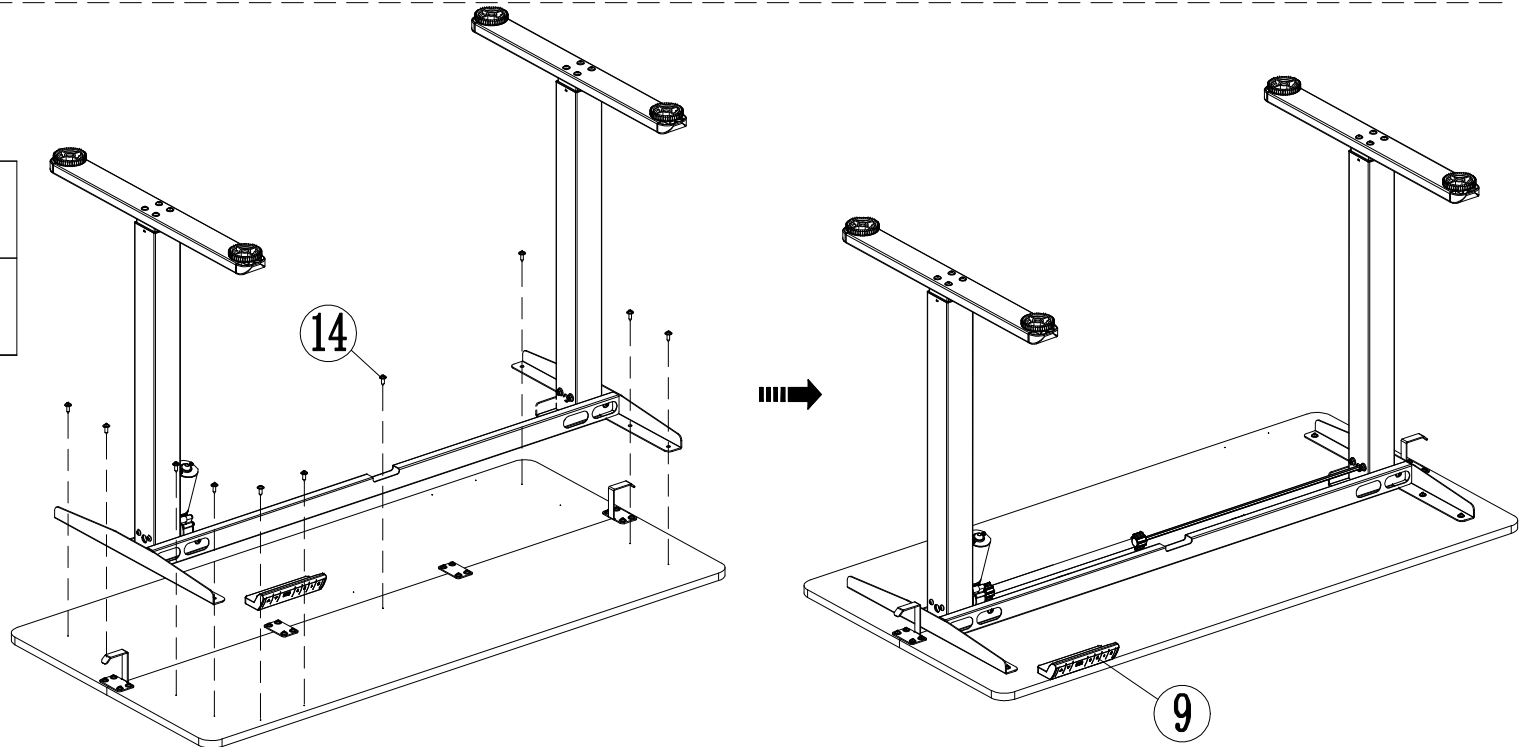
Step4

⑭	ST5×14		× 16
⑮			× 5
⑰			× 2
⑱			× 2
⑩			× 1

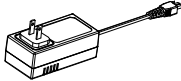
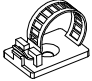


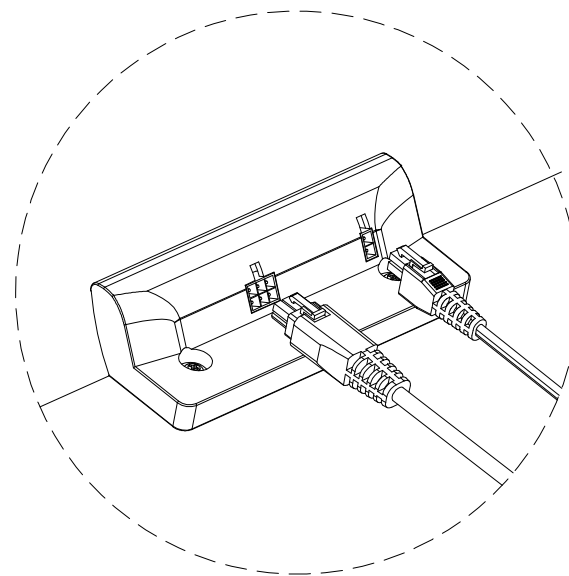
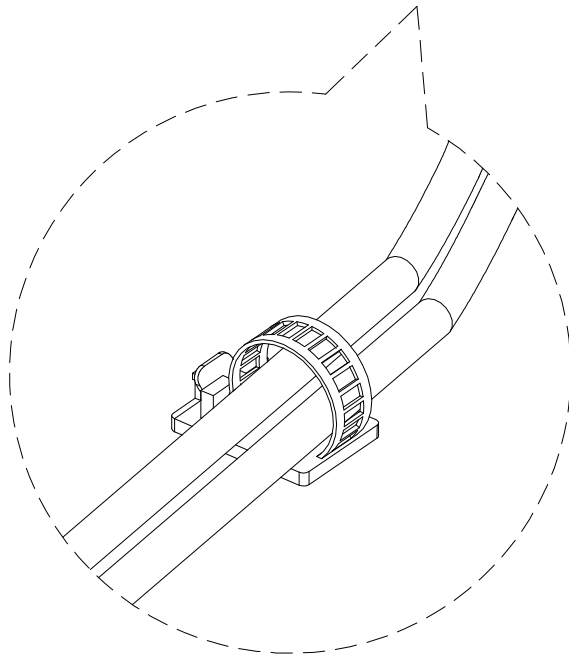
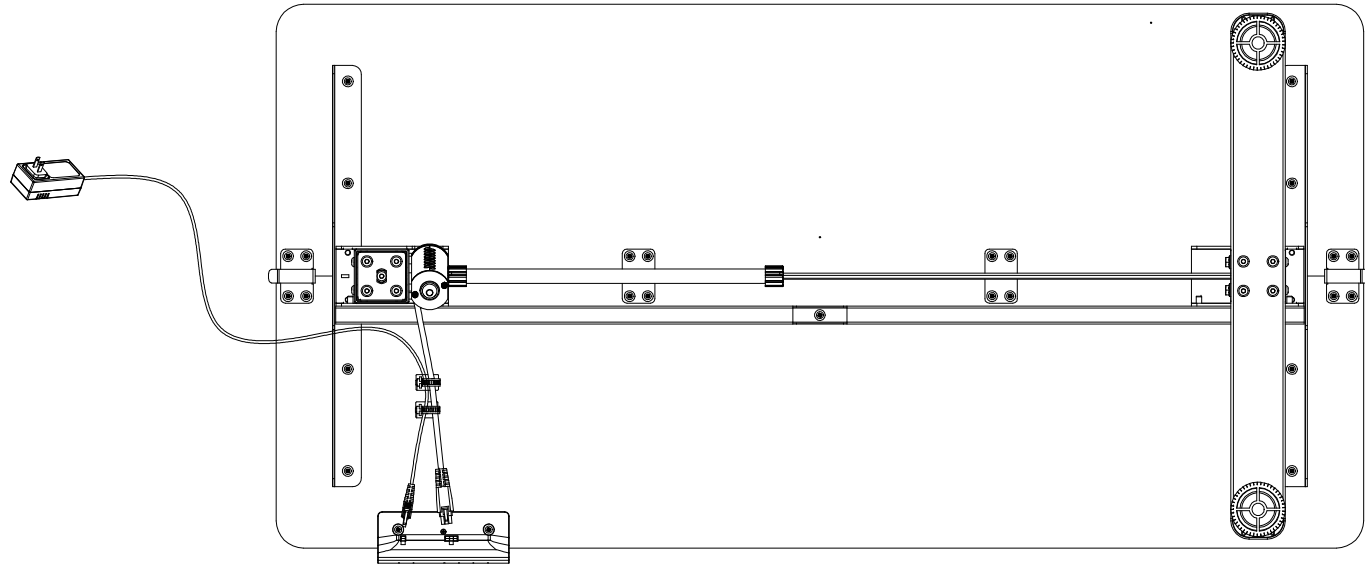
Step5

⑨			× 1
⑭	ST5×14		× 11



Step 6

⑧		×1
⑪		×2



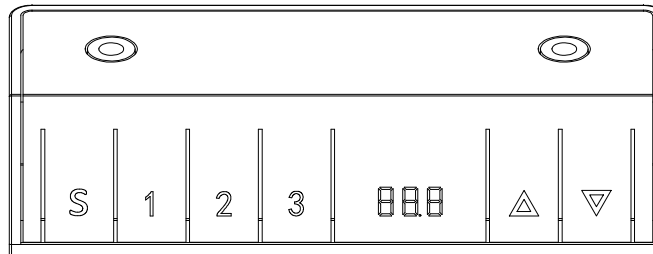
Operating Instruction

S	Short-press the 'S' button, and the display will flash, Press the 1 , 2, or 3 button to save the current height setting to that button.
1	Press the '1' button, and the desk will move to the height that was previously set for that button.
2	Press the '2' button, and the desk will move to the height that was previously set for that button.
3	Press the '3' button, and the desk will move to the height that was previously set for that button.
▲	Press the '▲' button to raise the desk continuously until it reaches the highest position of 45.3"(115cm) or the button is released.
▼	Press the '▼' button to lower the desk continuously until it reaches the lowest position of 27.6"(70cm) or the button is released.

Settings	
Change Display Height Units	Press and hold the 'S' button until a flashing 'S--' is displayed. Press 'S' again, and 'un' is displayed. Press 'S' to select it, press '▲' or '▼' to switch between 'IN' (imperial) and 'SI' (metric), and press 's' to save your choice.
Change Collision Detection Sensitivity	Press and hold the 'S' button until a flashing 'S--' is displayed. Press 'S' again, and 'un' is displayed. Press '▲' or '▼' to switch to 'CF' and press to select it, Press '▲' or '▼' to switch between off, low (L), normal (N), and high (H) sensitivity. Press 's' to save your choice.
Reset	Desktop running to the lowest level, Press and hold the '▼' button for 5 seconds, and the screen will show 'RES'. Continue holding until the desk goes down to its lowest level and comes back up slightly.

Protection Mode Error Codes

Hot	Overheating Protection: When the motor has been working continuously for 2 minutes, it will stop operating to prevent damage from overheating. Wait for at least 18 minutes before making any further height adjustment.
E10	Sensor Malfunction Warning: Motor safety sensor can't be detected. Power off, check the connection between the motor and controller, and power back on again.
E20	Overloading Warning: Max load exceeded. If raising the desk, take the things off the desk and try again. If lowering the desk, power off, take the things off the desk, power back on, and try again.
E02	Operation Status Warning: The desk stops moving if vibration, impact, or incline are detected. If this detection is incorrect, follow the reset instructions before continuing use.
E32	Overvoltage Protection: Input voltage too high. If the correct AC adapter is being used, power off the desk, check the connection between power and the controller, and power on again.
E31	Undervoltage Protection: Input voltage too low. If the correct AC adapter is being used, power off the desk, check the connection between power and the controller, and power on again.



Cautions:

- 1.Product use according the technical parameters.
- 2.Do not expose to sunlight or use in high temperature environment, for indoor use only.
- 3.Pls keep away from corrosive gas and dusty environment, and also pay attention to water.
- 4.Non-professionals are not allowed to disassemble this product to prevent electric hazards.
- 5.Children are not allowed to play on the desk.When children playing on the product, the behavior is unpredictable and manufacture are not responsible for the Dangerous consequences.
- 6.Operate with knowledge of related hazards,Children aged eight or above and with Physical impairment 、 mentally handicapped people should be used under correct supervision and guidance.
- 7.When children without supervision,users shall not clean and maintain the product.
- 8.If the power cord is damaged,it must be replaced by the manufacturer or the relevant professional to avoid injury.
- 9.Make sure your operating environment without hazard,for example, don't throw your tools anywhere. And always be careful with packing materials,to avoid all possible dangers,if children play with plastic bag,posing a risk of strangulation.
- 10.Please keep the original packaging of the equipment if necessary,to be used for future transportation.