

⑤ canopy 1pcs
⑥ cap nut 2pcs
④ slotted screw 1pcs

⑩ glass lampshade 4pcs

③ cross screw 1pcs

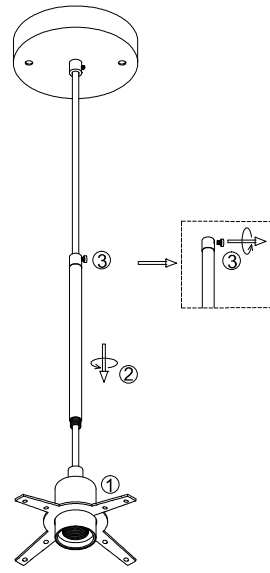
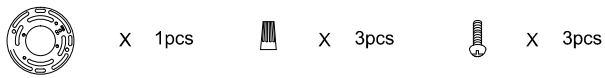
② hanging tube 1pcs

① light fixture 1pcs

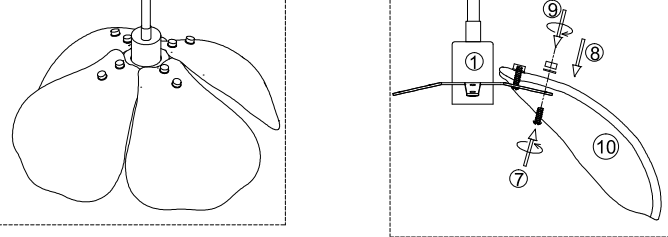
⑨ lock nut 8pcs

⑧ washer 16pcs

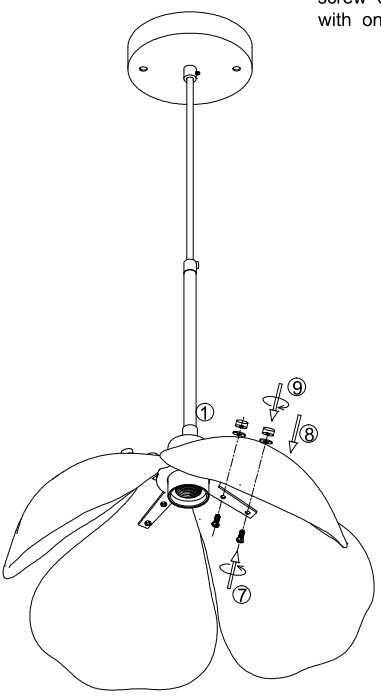
⑦ bolt screw 8pcs



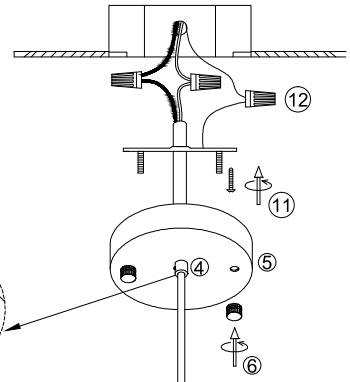
1. Loosen cross screw ③, rotate to fixed the hanging tube ② to the light fixture ①, and tighten screw ③ again.



Use one more washer if the screw doesn't tighten enough with one washer.



2. Install the glass lampshades ⑩ to the light fixture ① with bolt screw ⑦ and washer ⑧ and lock nut ⑨, like picture showed.



Loosen the slotted screw ④ and adjust the height of the fixture you need, after that rotate screw ④ to make tighten again.



3. Install the bracket to the ceiling junction box with screw ⑪.
4. Connect the wire to your home line with cap connectors ⑫.
5. Install the light fixture to the bracket with cap nuts ⑥.
6. Install the bulb ⑬.

D7005-1

Please read carefully before installation!!!

Note : Please make sure that the electricity is powered off during installation !

Only a professional electrician should install this kind of product !