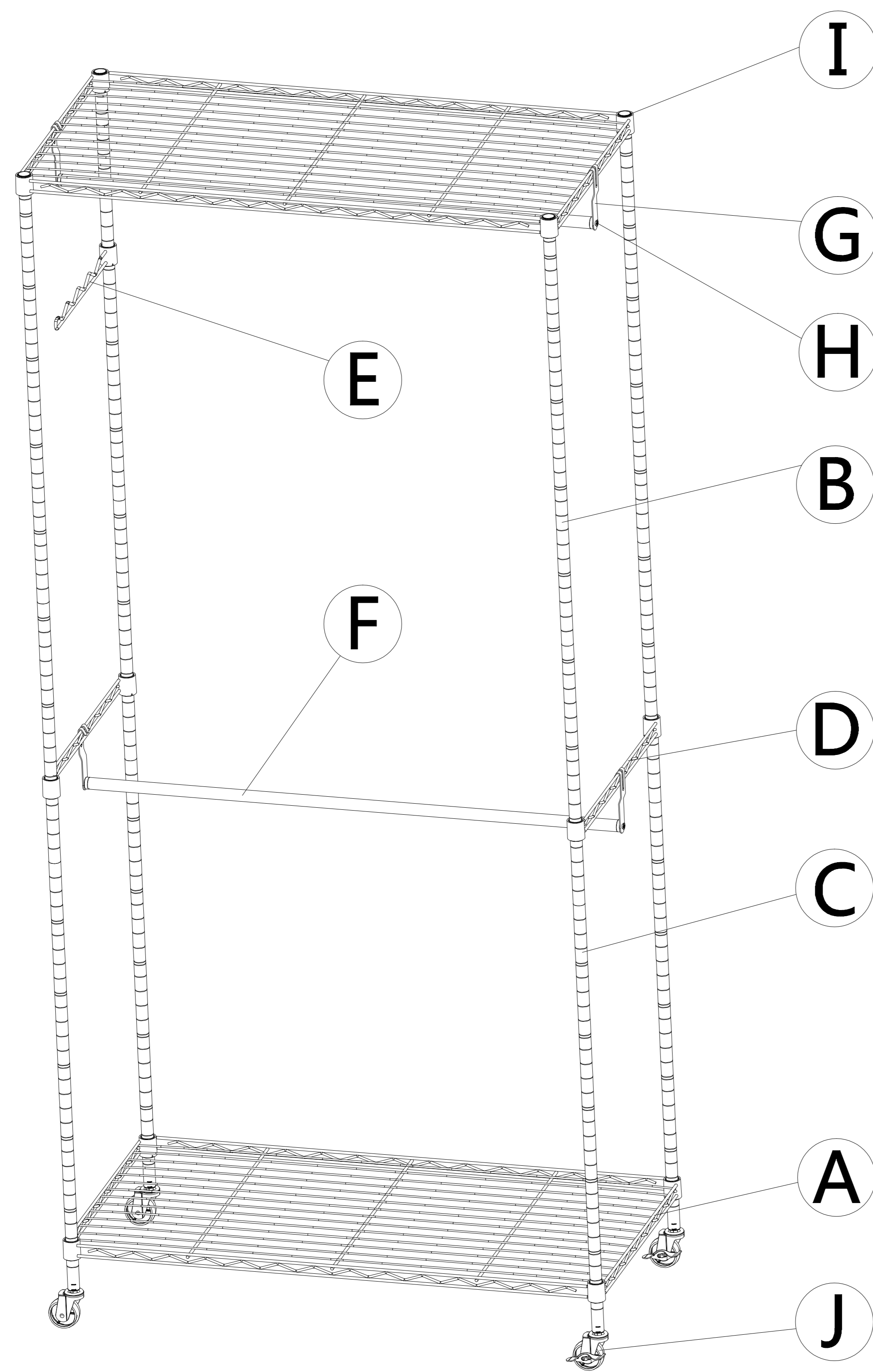


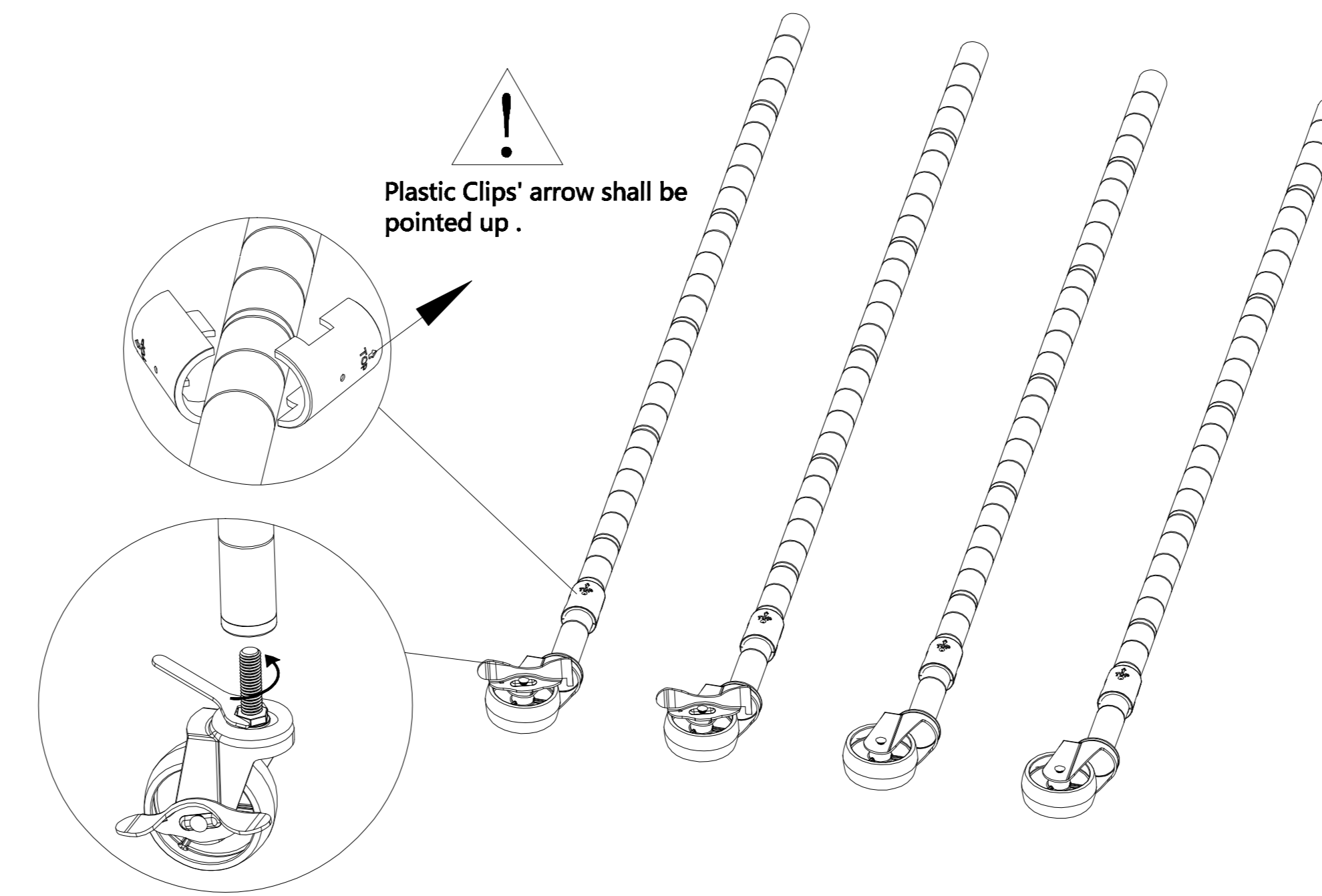
# METAL WARDROBE INSTRUCTION

Size: L900xW450xH1800mm

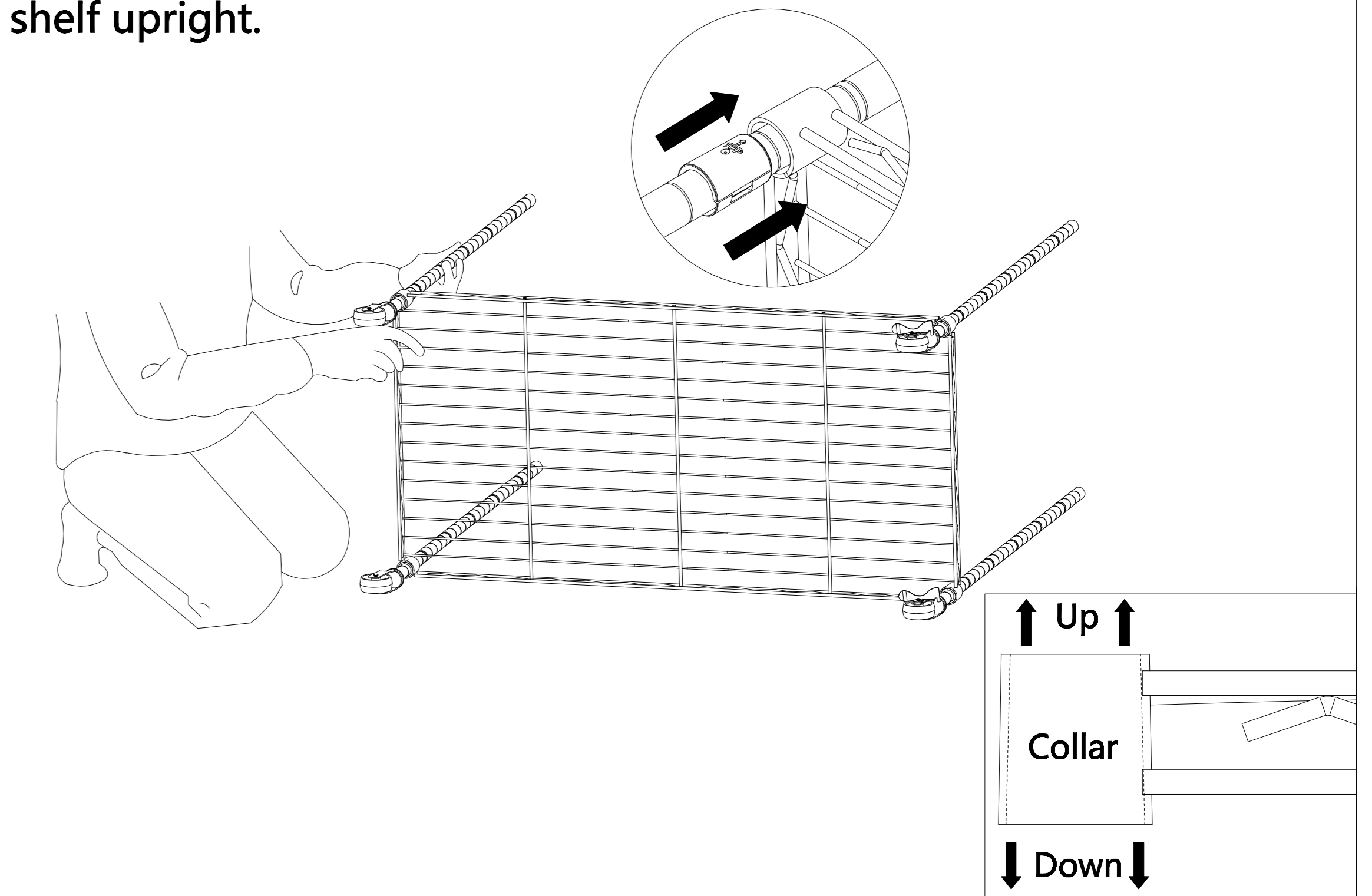


## Assembly Steps:

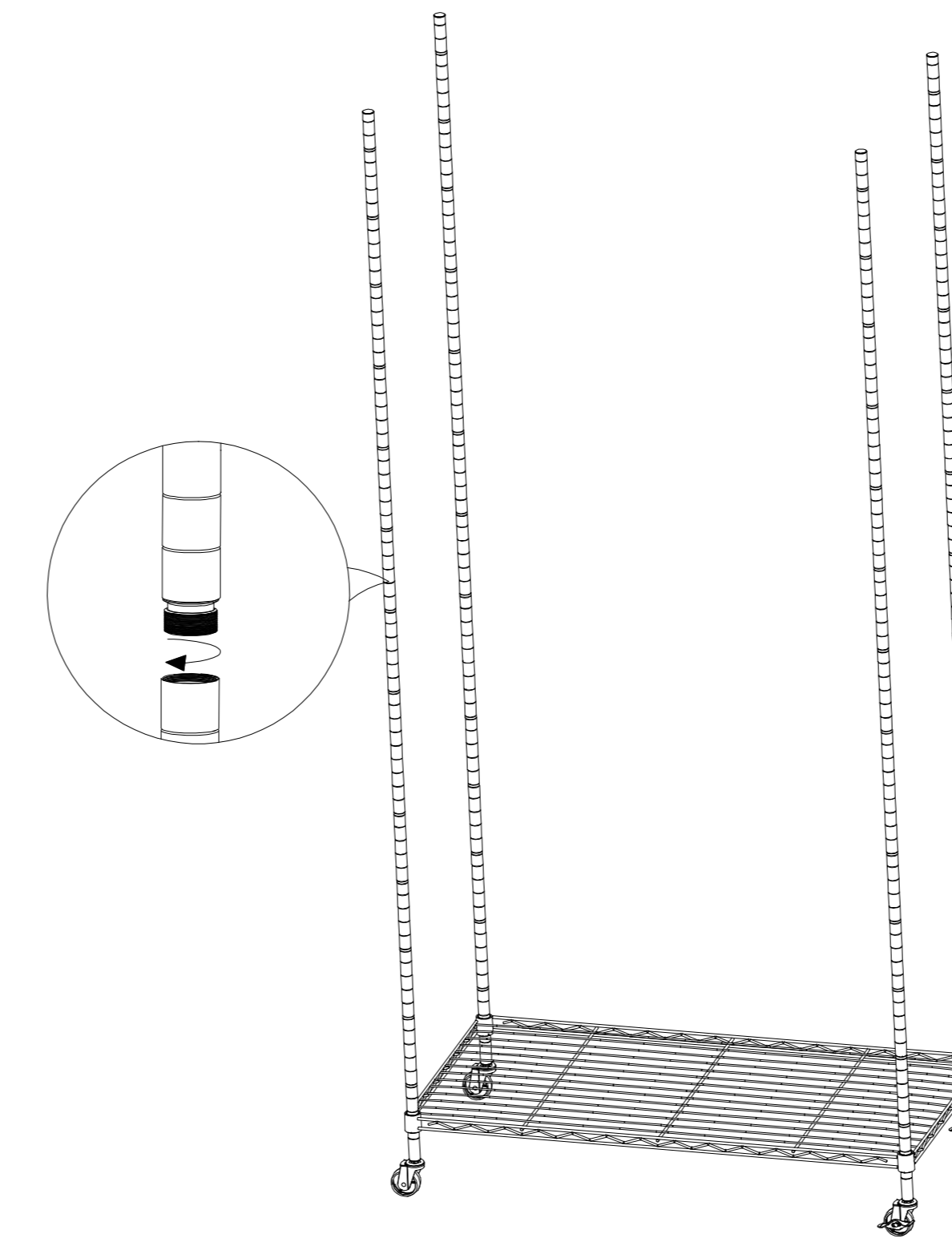
① Snap the Plastic Clips (I) into the Lower Pole (C) at the same position, and make sure that all plastic clips's arrow shall be pointed up.



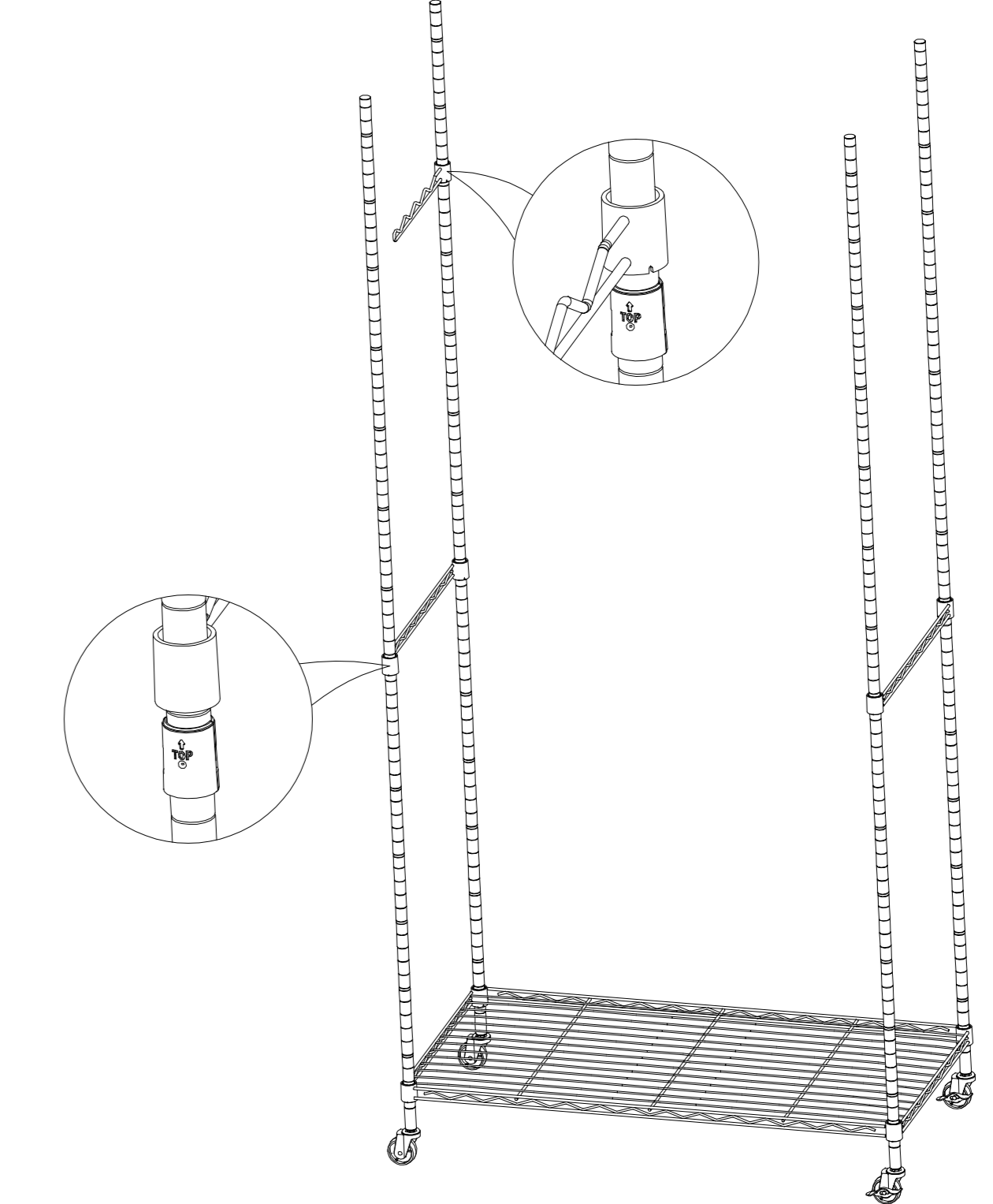
② Please make sure that you have the Wire Shelf(A) the correct way up. Hold the shelf on its side and slide the top of four lower poles through the bottom of each shelf at its corners until there is snug fit. After 4 poles have been slid through the shelf collar holes, set the shelf upright.



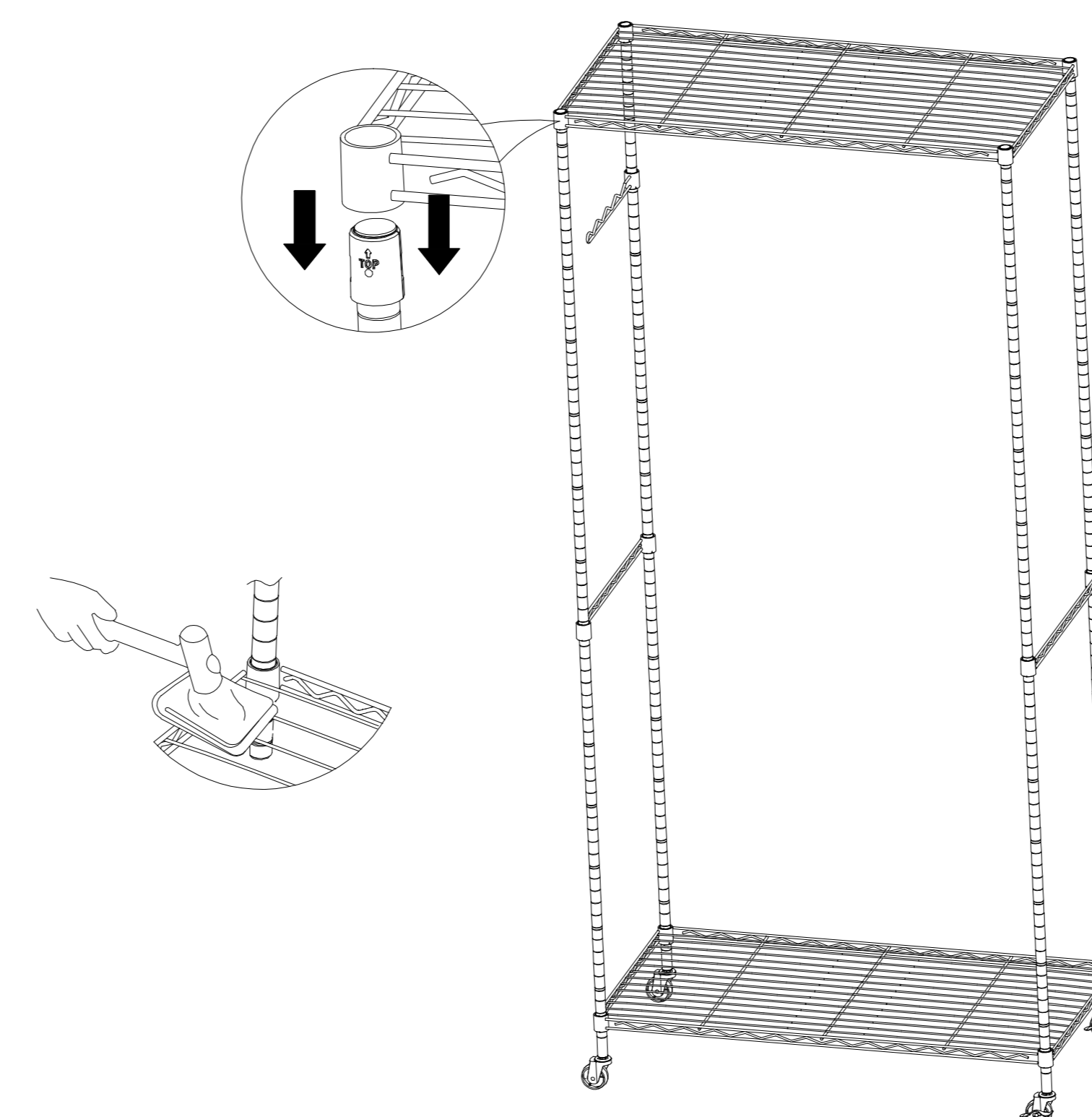
③ Screw Upper Poles(B) into lower poles by screw connectors which is already assembled on the upper poles.



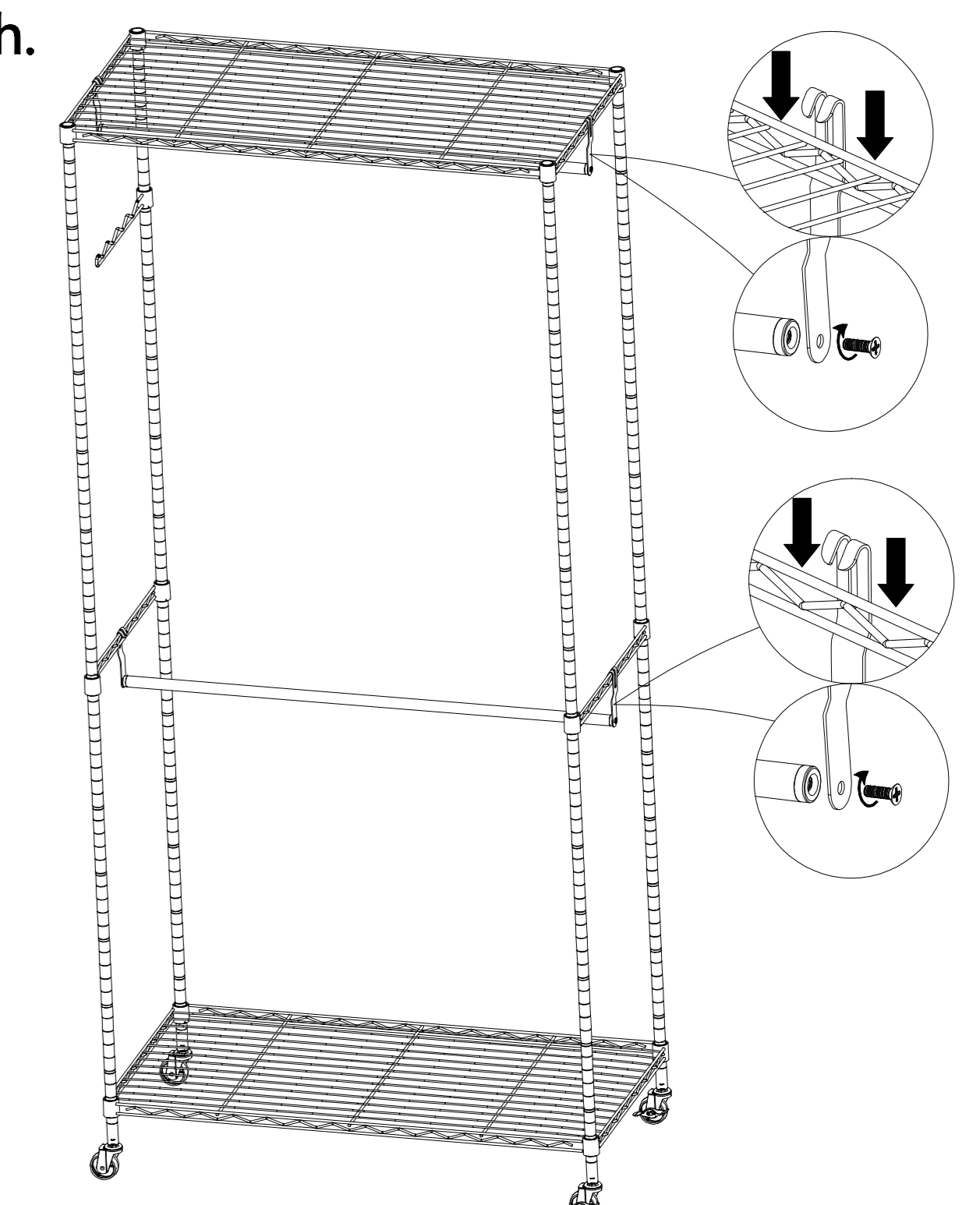
④ Snap plastic clips into the poles grooves at your desired position then Slide down the Support Rail(D) from top down onto the plastic clips. After 2 pcs support rail slid through well onto plastic clips then repeat the same way to assemble the Swiling Hanger (E).



⑤ Repeat the step ② to assemble the top wire shelf



⑥ Hanger Clothes Hanger (F) onto the support rails and the top shelf frame by its hook brackets as the photo. Pushing firmly down on every shelf at corners by rubber mallet to ensure the shelf At last, Screw the PP Caster(J) into the bottom of lower at clockwise direction and fastened by wrench.



No.	A	B	C	D	E	F	G	H	I	J
Name	Wire Shelf	Upper Pole	Lower pole	Support Rail	Swiling Hanger	Clothes Hanger	Hook Bracket	Screw	Plastic Clip	PP Caster
Parts										
Quantity	2PCS	4PCS	4PCS	2PCS	1PC	2PCS	4PCS	4PCS	26PCS	4PCS