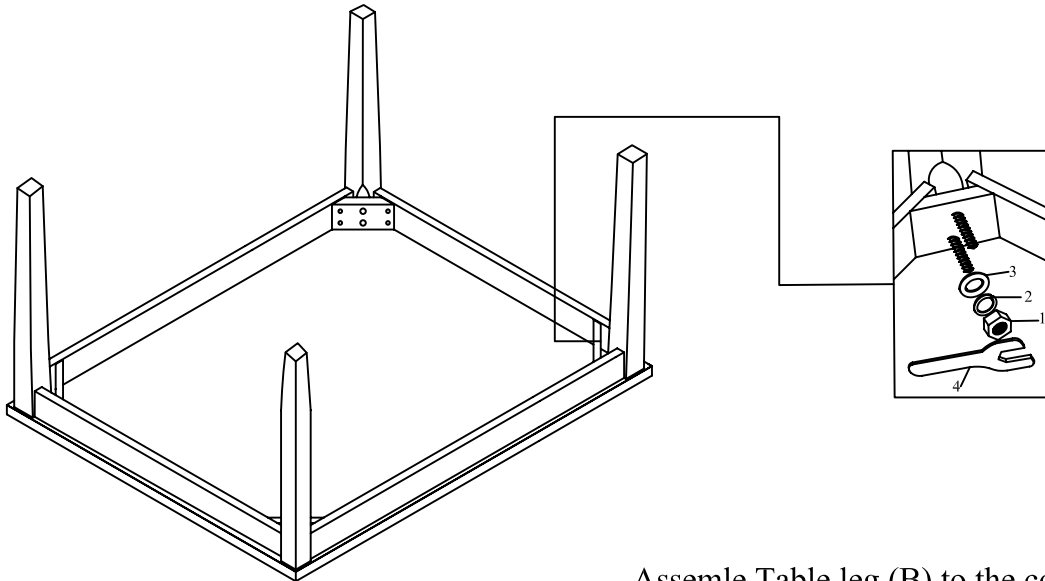
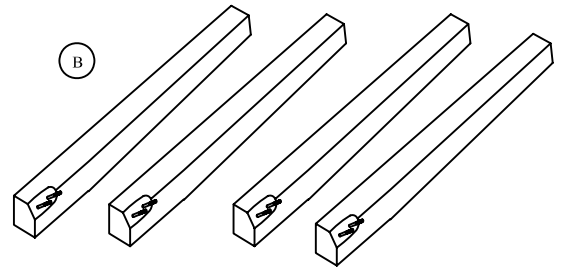
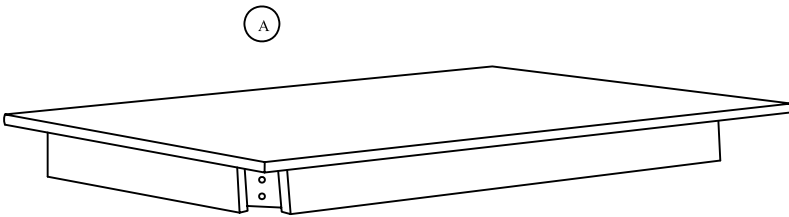


# ASSEMBLY INSTRUCTION

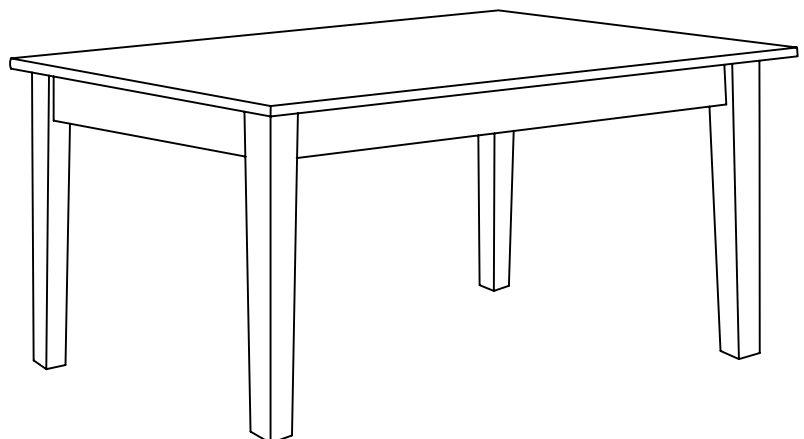
Read this instruction carefully. Refer hardware and furniture parts list for guidance. Be sure all parts are complete before assembling. Place all wooden furniture part on a clean and flat soft surface to prevent scratches. Refer steps provided as assembling guide.

PART LIST		
ITEM	DESCRIPTION	QTY
A	TABLE TOP	1 pc
B	TABLE LEG	4 pcs

HARDWARE LIST		
ITEM	DESCRIPTION	QTY
1	HEX NUT $\phi$ 5/16" X 1/2"	8 pcs
2	LOCK WASHER $\phi$ 5/16" X 1/2"	8 pcs
3	FLAT WASHER $\phi$ 5/16" X 1/2"	8 pcs
4	ALLEN KEY	1 pc

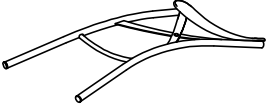

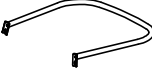







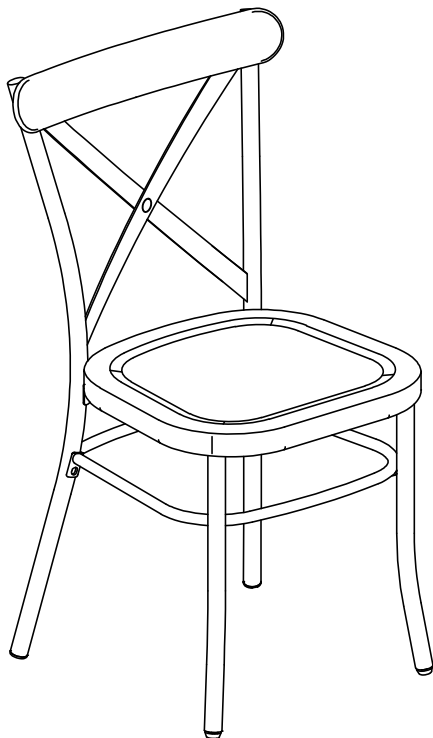
Assemble Table leg (B) to the corner block by using 1.2.3&4



**NOTE: DO NOT TIGHTEN UNTILL COMPLETELY ASSEMBLE.**

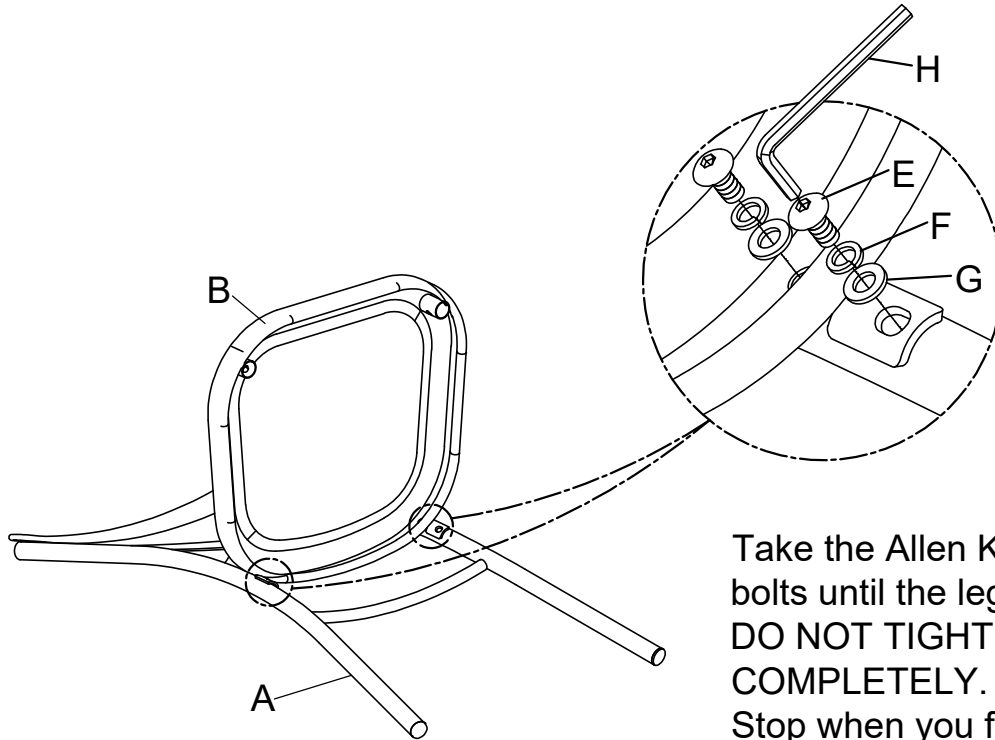
# ASSEMBLY INSTRUCTION

<b>A</b> Chair Back	<b>B</b> Seat	<b>C</b> Stretcher	<b>D</b> Front Leg
			
1pc	1pc	1pc	2pcs
<b>E</b> Bolt Ø1/4"x5/8"	<b>F</b> Lock Washer Ø1/4"x3/8"	<b>G</b> Flat Washer Ø1/4"x1/2"	<b>H</b> Allen Key M4
			
10pcs	10pcs	10pcs	1pc



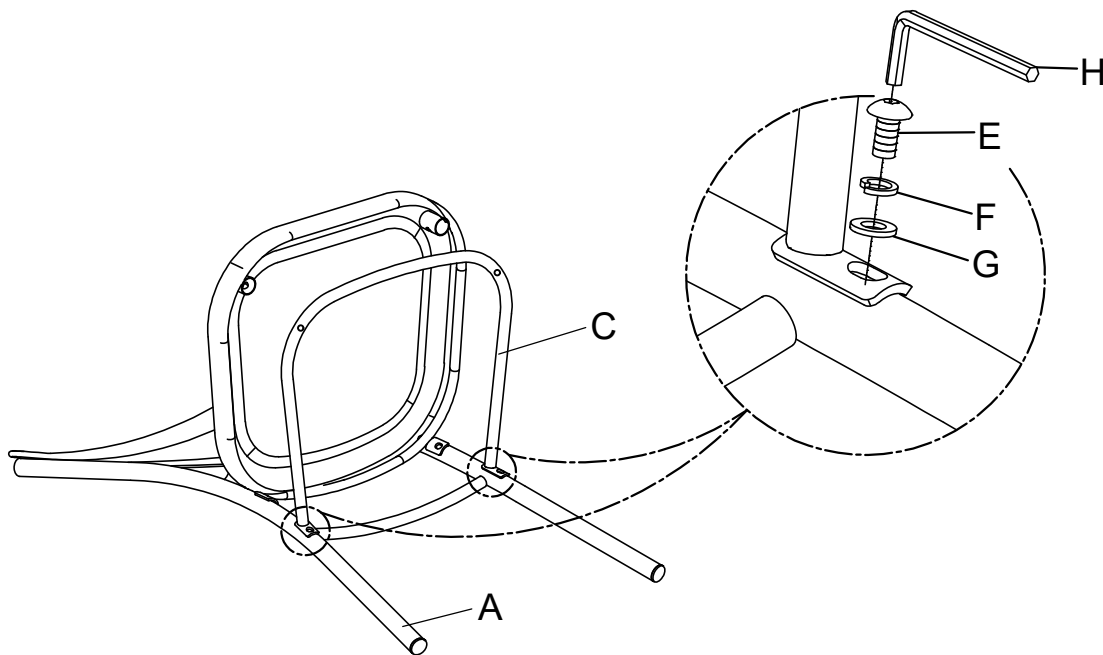
This page lists all the contents included in the box. Please take the time to identify the hardware as well as the individual components to this product. As you unpack and prepare for assembly, place the contents on a carpeted or padded area to protect them from damage.

- 
- 1** Attach Seat (B) to the Chair Back (A) using Bolt (E), Lock Washer (F) and Flat Washer (G) by Allen Key (H).



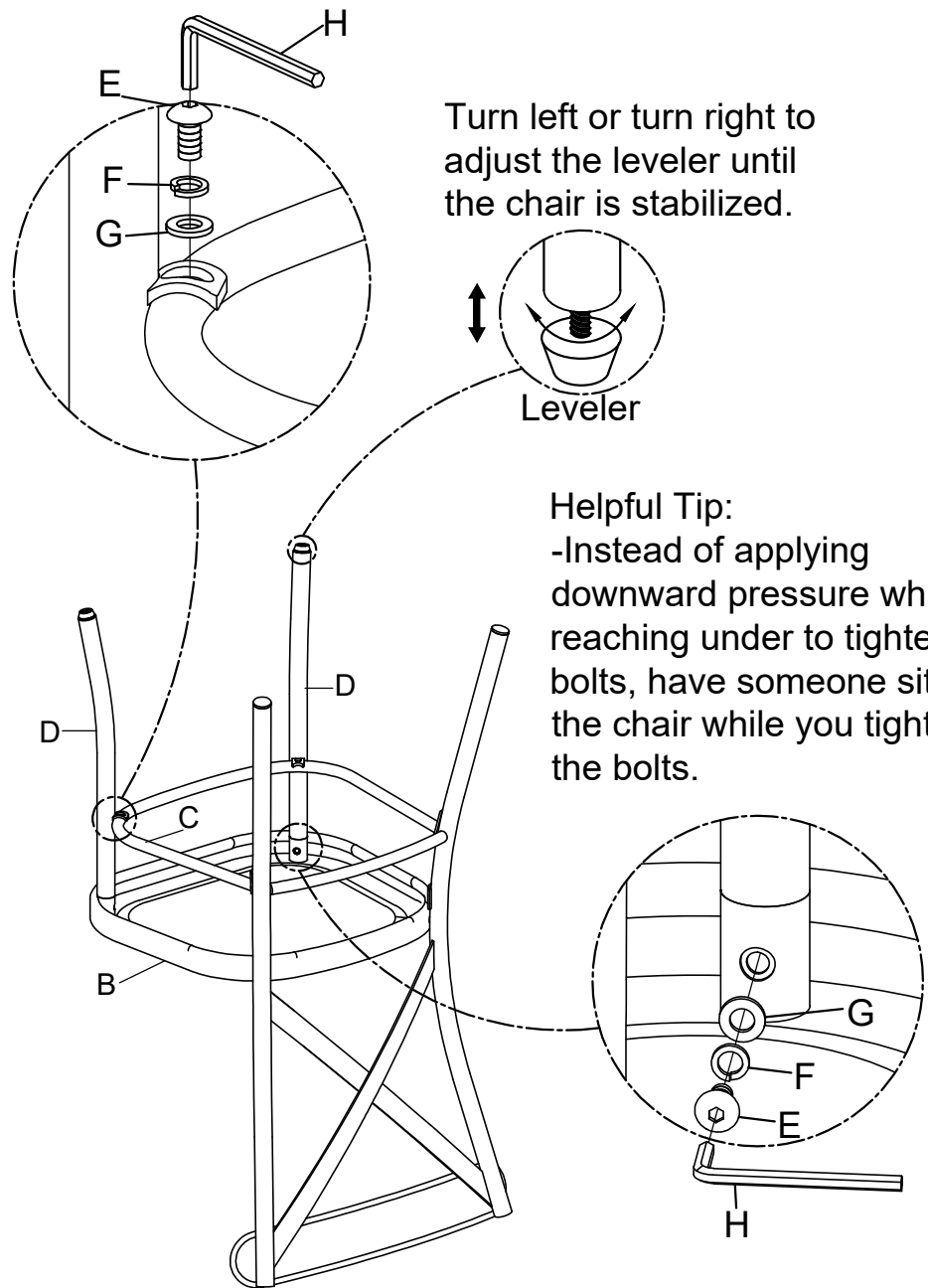
Take the Allen Key, and turn the bolts until the legs are secure. **DO NOT TIGHTEN COMPLETELY.** Stop when you feel you are adding force to tighten the bolt.

- 
- 2** Attach Stretcher (C) to the Chair Back (A) using Bolt (E), Lock Washer (F) and Flat Washer (G) by Allen Key (H).



**3** Attach Front Leg (D) to Seat (B), Stretcher (C) using Bolt (E), Lock Washer (F), Flat Washer (G) by Allen Key (H).

Stand chair up on an even surface and check that it is balanced. If there is a slight wobble, apply downward pressure in the corner where a leg is uneven. Keeping pressure in that corner, tighten all bolts. If balanced, apply downward pressure evenly in the center and tighten all bolts. Do not over-tighten beyond hole depth.



**Cleaning & Care**

Treat surface with care. Surface is resistant to scratches but is not scratch resistant. Clean surfaces with a dry or damp soft cloth. Do not use abrasive cleaners. Hardware may loosen over time. Periodically check that all connections are tight.