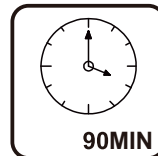
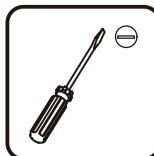
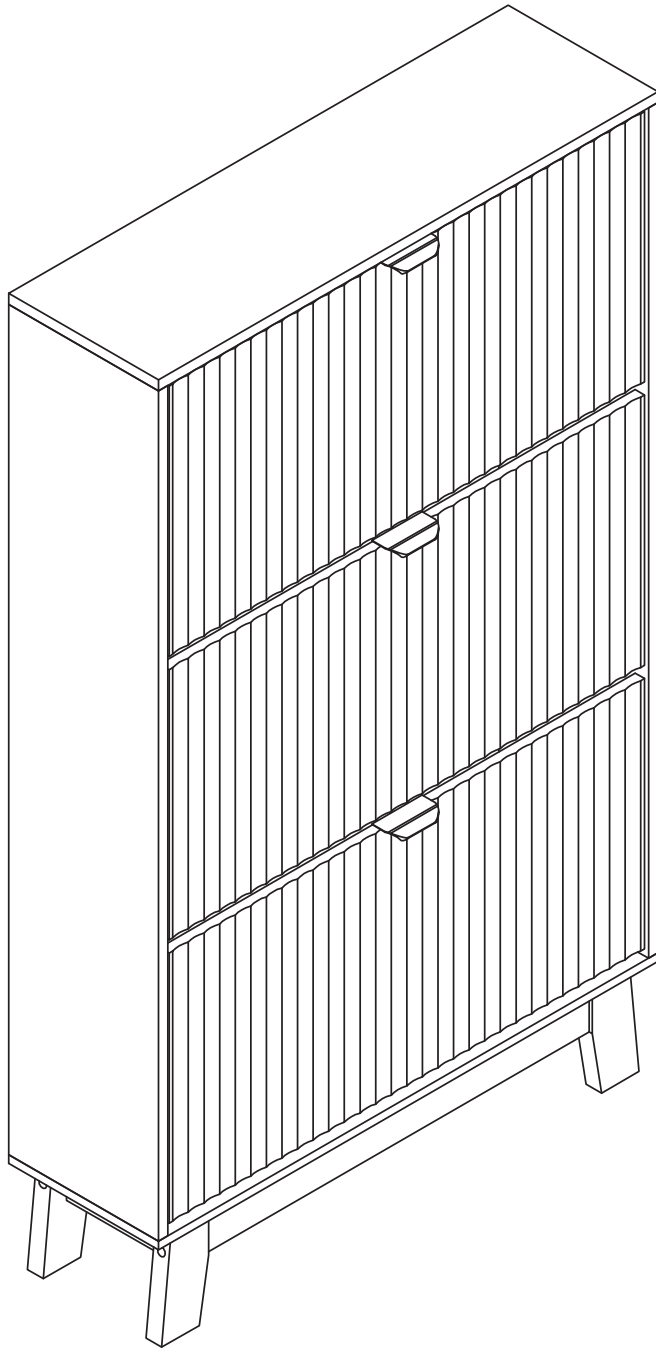


# Installation & Assembly

Version:1.0



**EN\_IMPORTANT, RETAIN FOR FUTURE REFERENCE: READ CAREFULLY.**

*. THANK YOU FOR PURCHASE! .*

# FREE REPLACEMENT PARTS AVAILABLE!



*---NEED HELP WITH YOUR FURNITURE?---*

Scan the QR code to contact us!



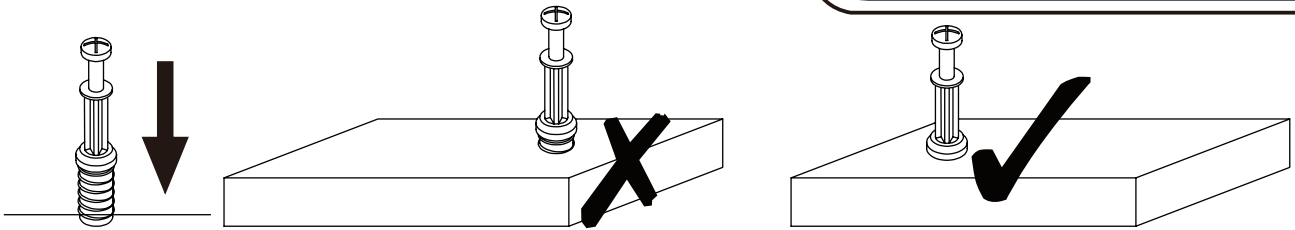
If you're experiencing any issues—whether due to shipping, assembly, or any other reason  
—we're here to help.  
For any damaged or missing components, we're happy to provide FREE replacement parts.

---

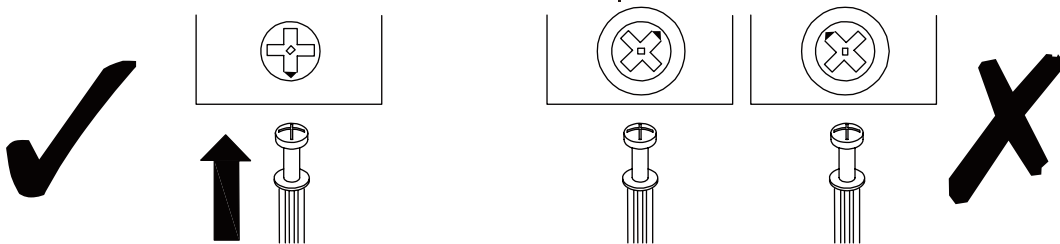
## *WANT TO CONTACT US THROUGH*

- ▶ Log in to your account.
- ▶ Go to “Your Orders” and locate your furniture order.
- ▶ Click on “Get Help with Order” to send us a message directly.

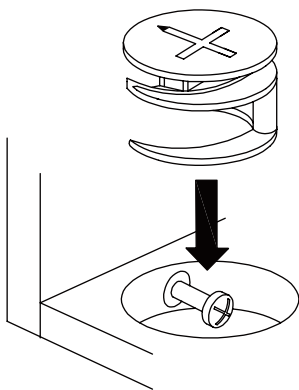
Our customer support team is ready to assist you and we will respond within  
12-24 HOURS to resolve your concerns quickly!



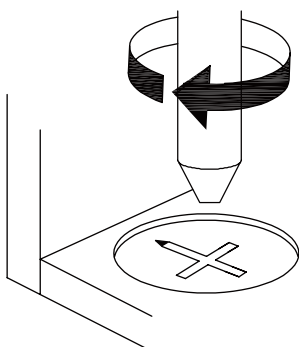
**EN\_QUICKFIT:** Tighten quickfit until shoulder is flush with panel. Do not overtighten or undertighten.



**EN\_CAM LOCK:** When fitting cam lock, ensure starting position is correct before you insert connecting quickfit.

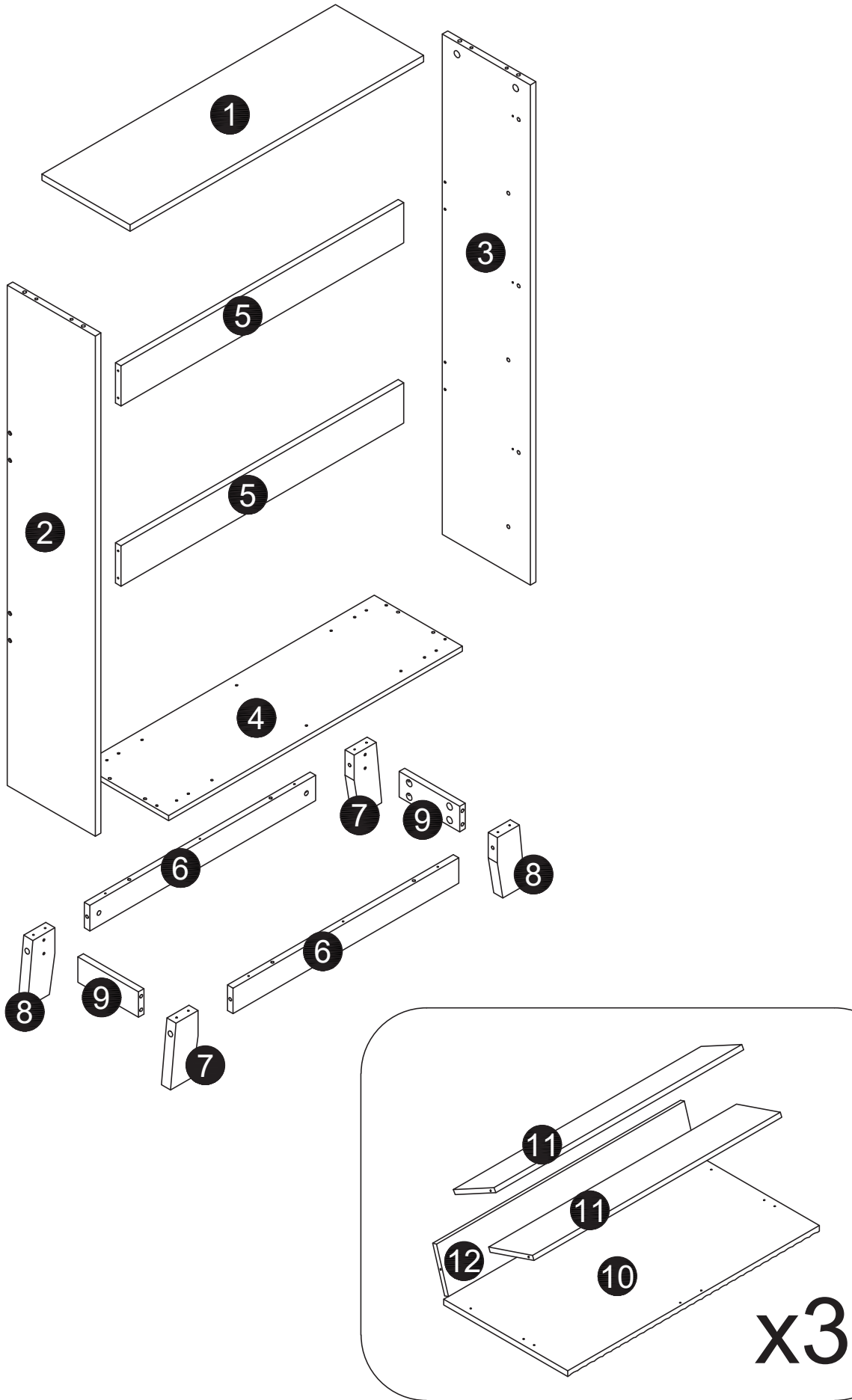


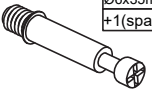

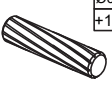
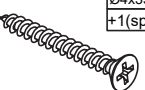

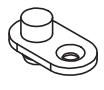




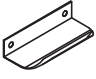



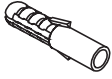

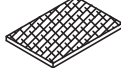


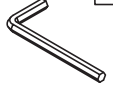
**EN\_Quickfit** head should be in the centre of the cam lock when the two panels are joined.  
Cam lock should be inserted before quickfit.



**EN\_Turn** cam lock clockwise to tighten.

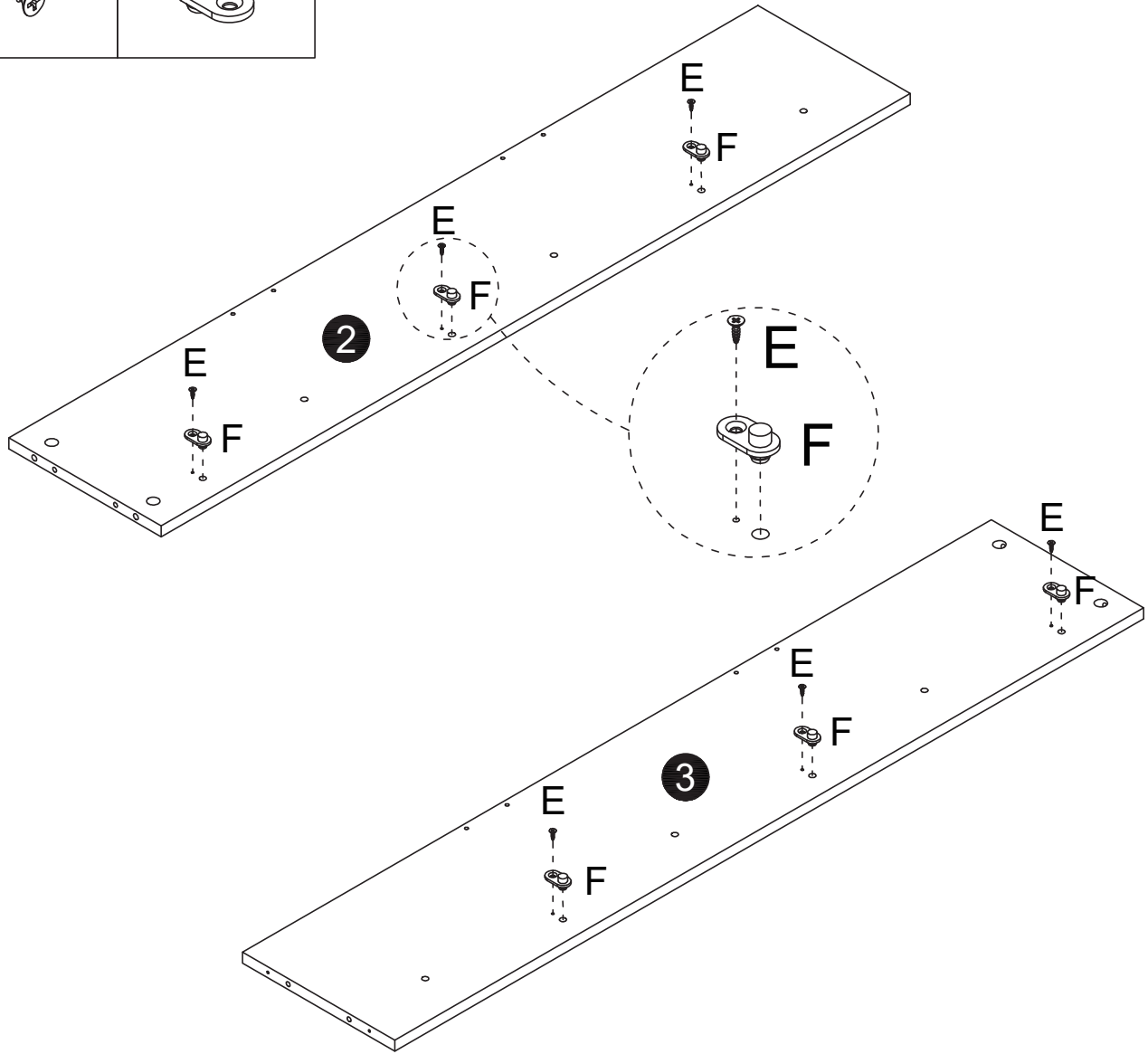




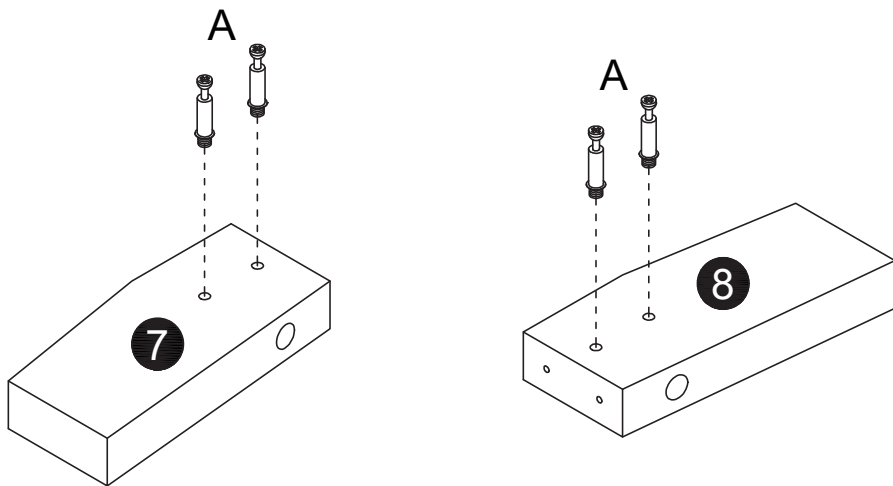
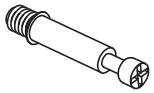
 <p><b>A</b> x12 Ø6x35mm +1(spare)</p>	 <p><b>B</b> x12 Ø15x10mm +1(spare)</p>	 <p><b>C</b> x12 Ø6x30mm +1(spare)</p>	 <p><b>D</b> x14 Ø4x35mm +1(spare)</p>	 <p><b>E</b> x48 Ø3.5x12mm +4(spare)</p>	 <p><b>F</b> x6</p>
 <p><b>G</b> x6</p>	 <p><b>H</b> x6</p>	 <p><b>I</b> x4</p>	 <p><b>J</b> x4</p>	 <p><b>K</b> x3</p>	 <p><b>L</b> x3</p>
  <p><b>M</b> x2 Ø4x14mm</p> <p>M-1 M-2</p>	 <p><b>N</b> x2 Ø6x30mm</p>	 <p><b>O</b> x8 15mm +2(spare)</p>	 <p><b>P</b> x4</p>	 <p><b>Q</b> x14 Ø4x30mm</p>	 <p><b>R</b> x3</p>
 <p><b>S</b> x1 M5</p>					

E x6

F x6



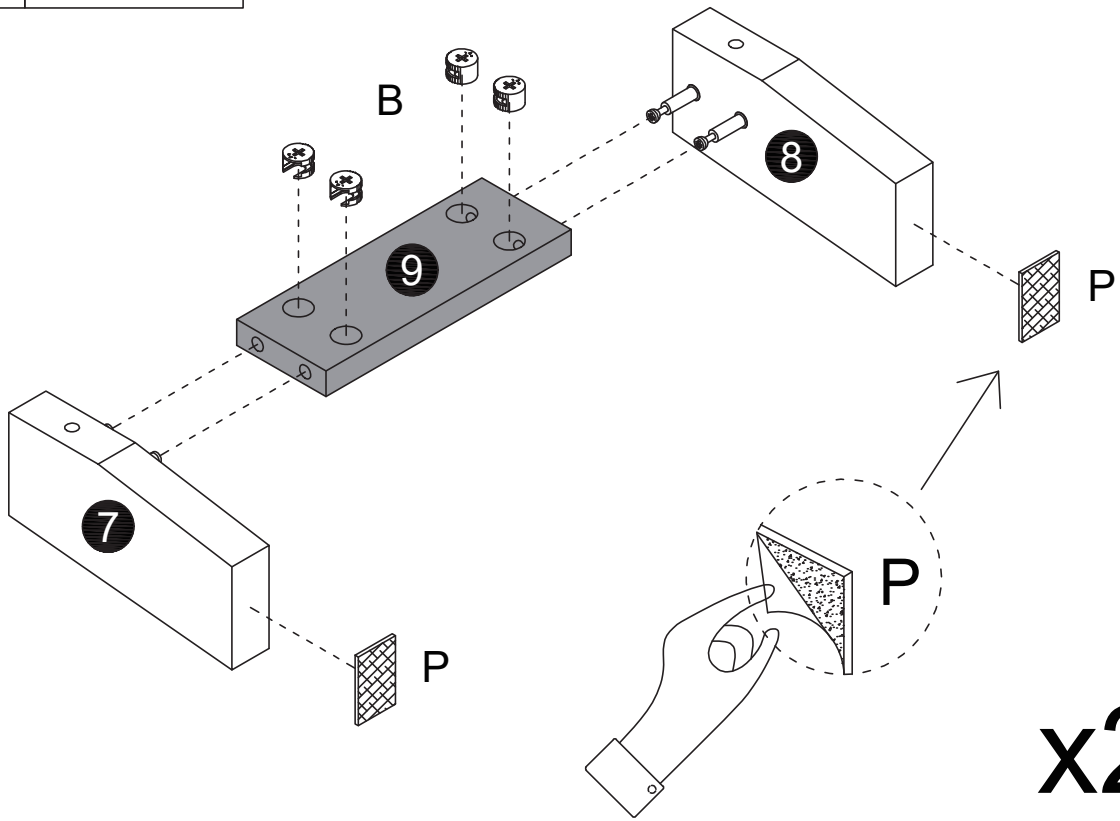
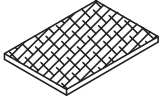
A x8



x2

B x8

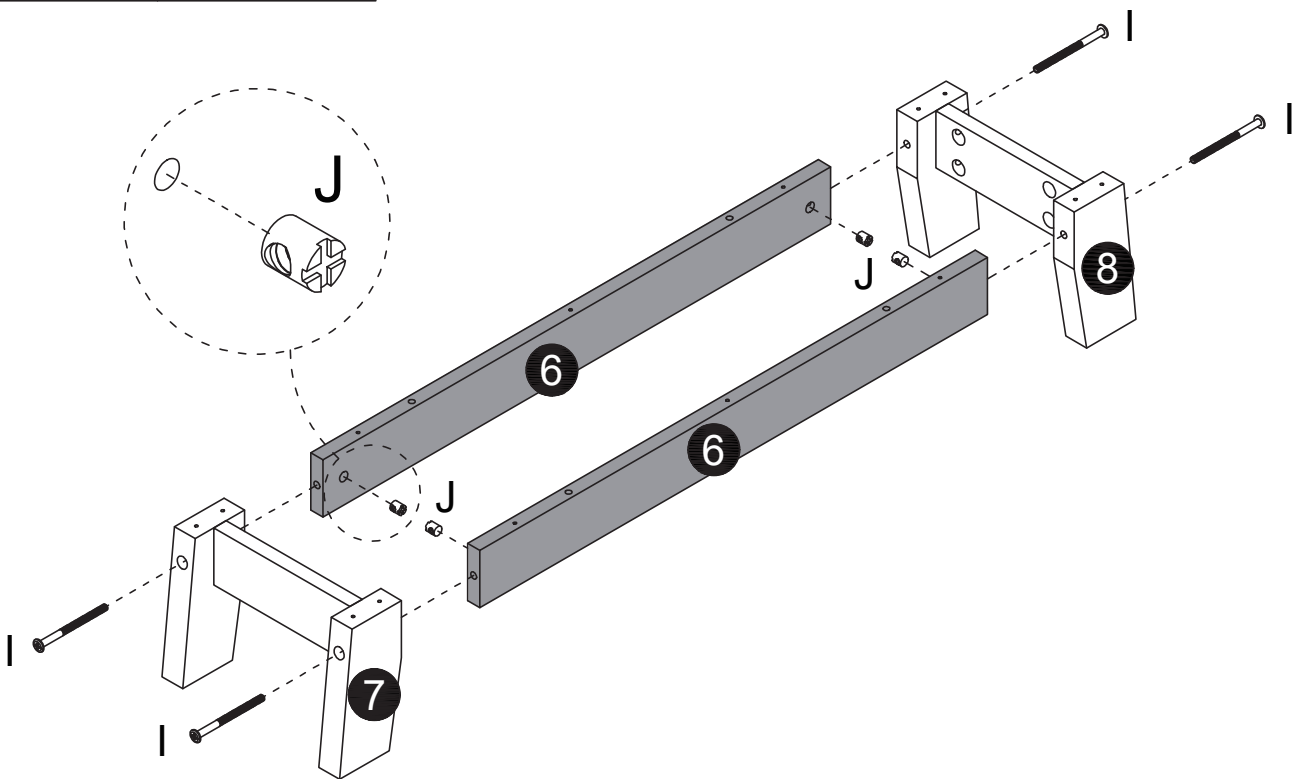
P x4



x2

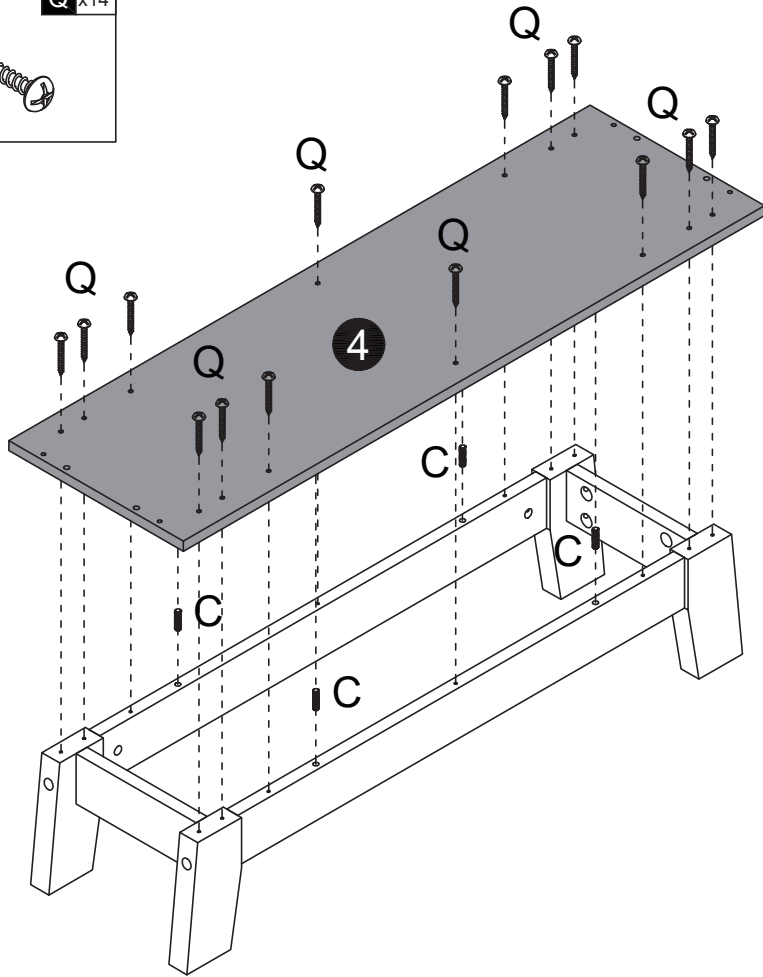
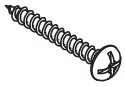
I x4

J x4



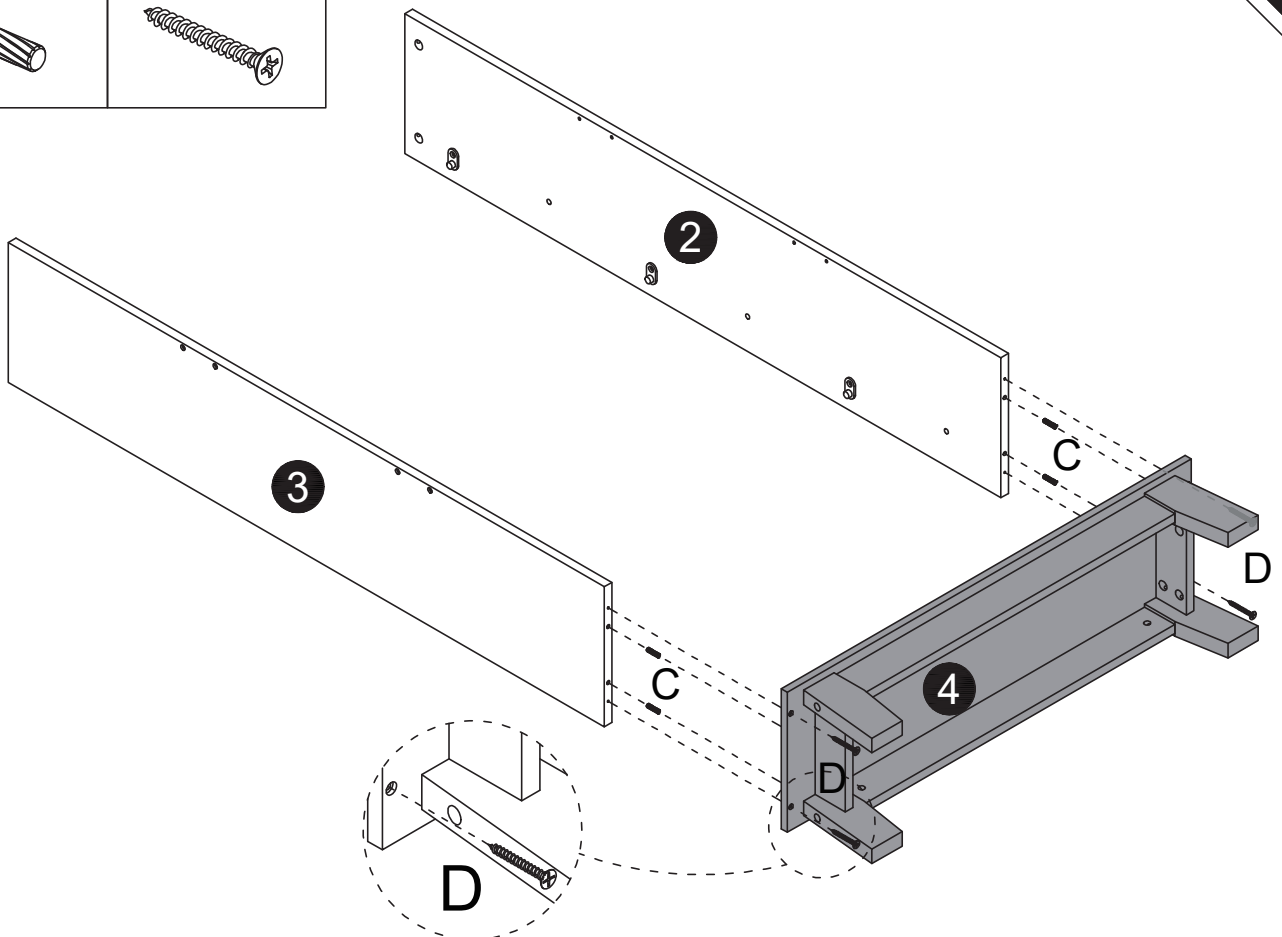
C x4

Q x14

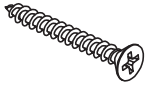


C x4

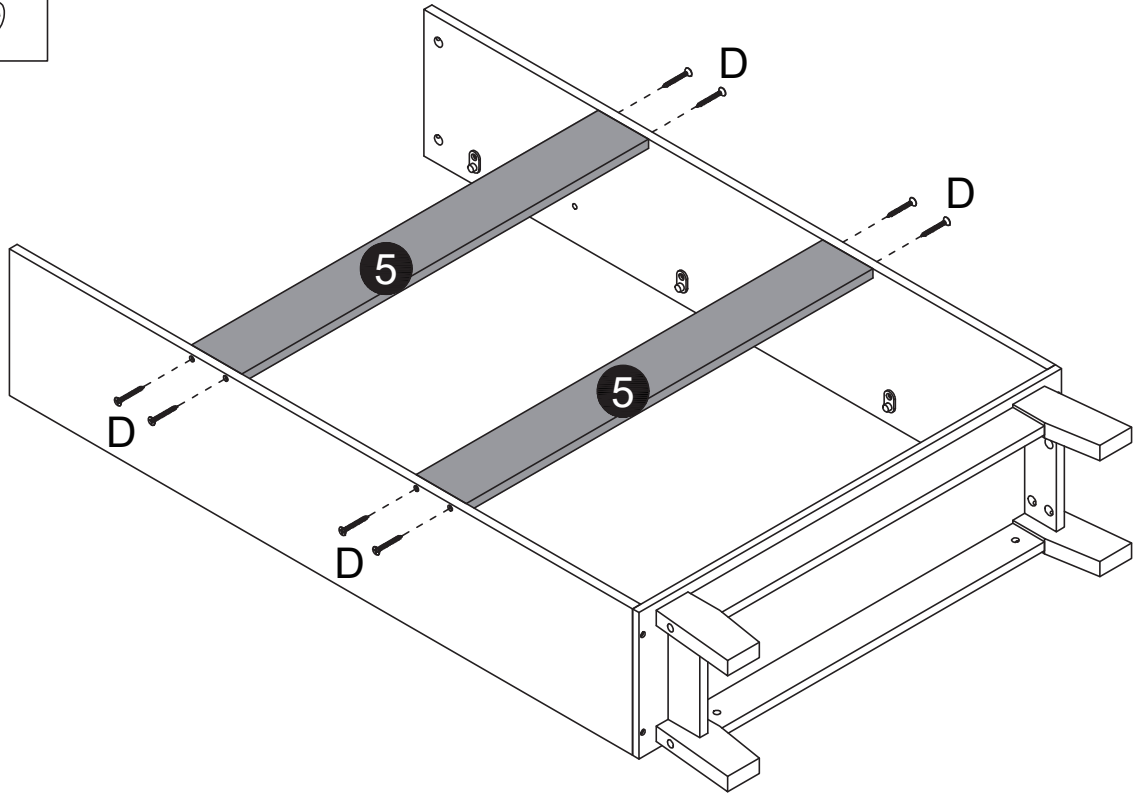
D x4



D x8

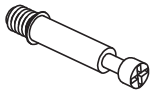


07



A x4

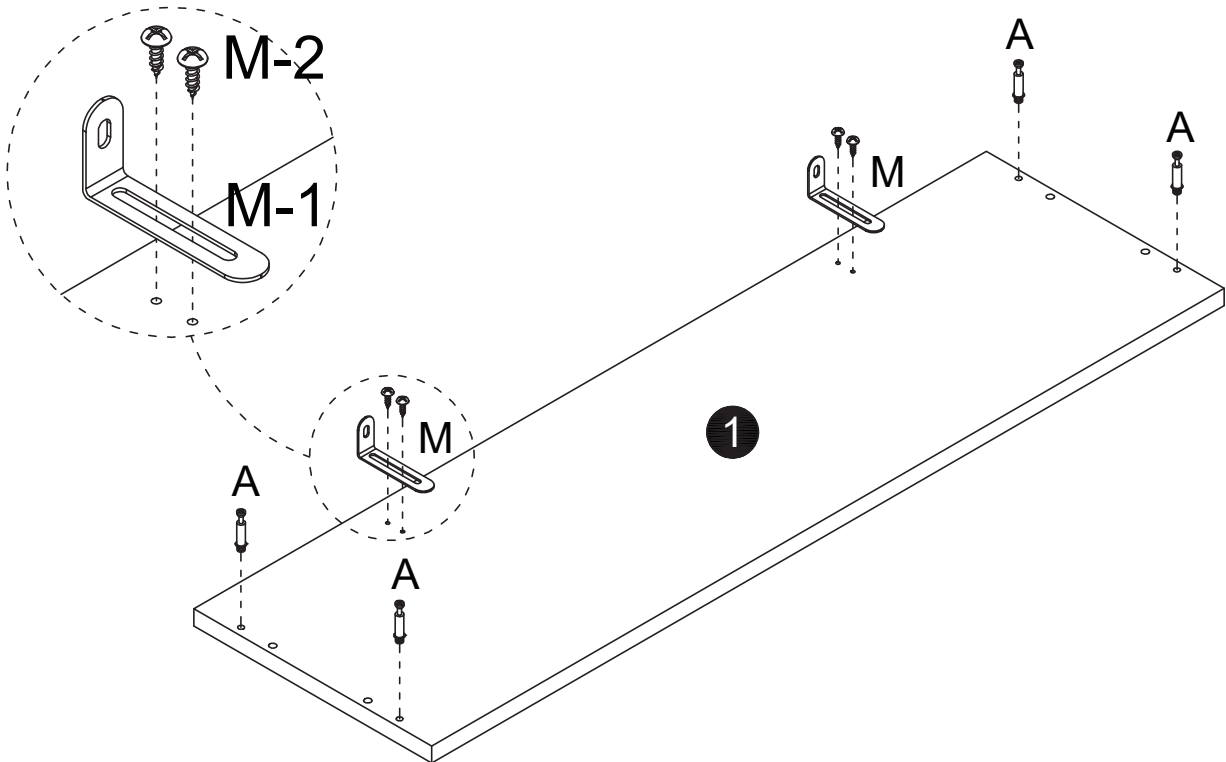
M x2



M-1

M-2

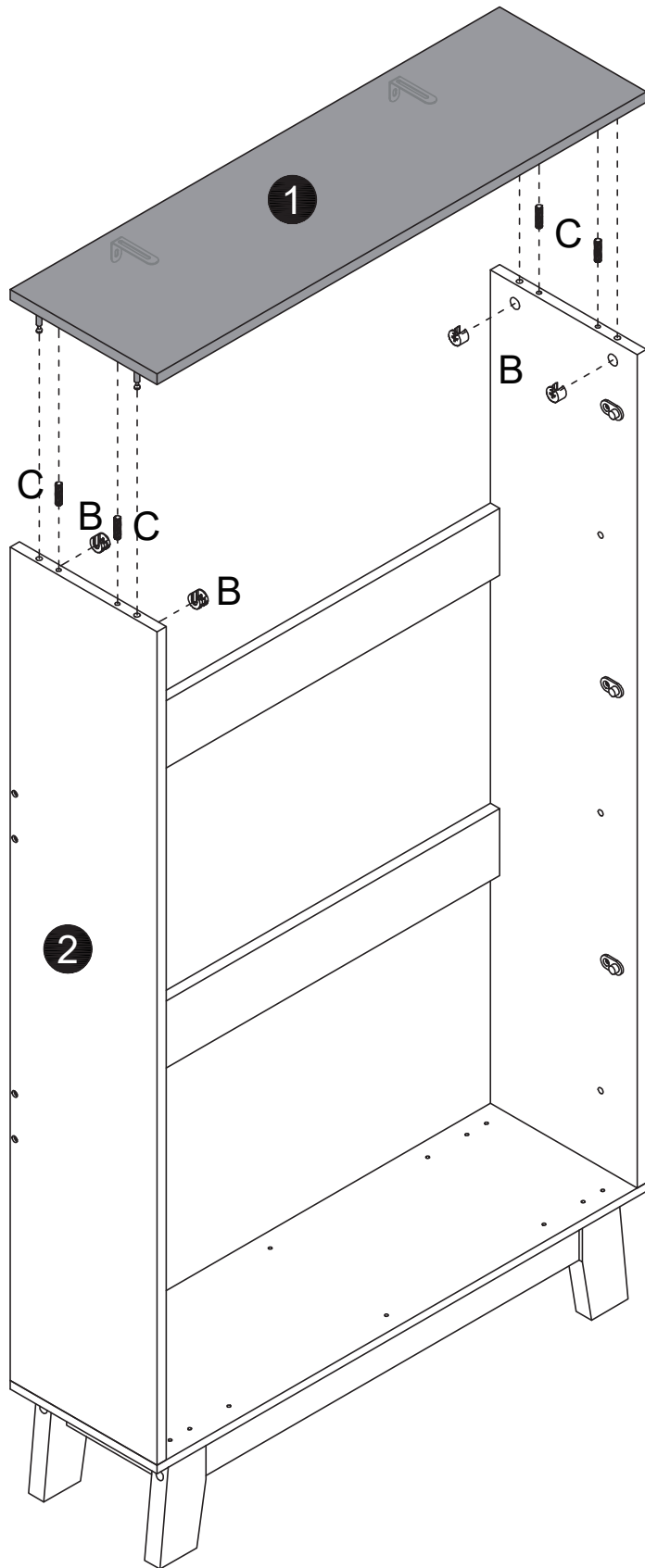
08



B x4

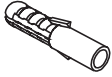
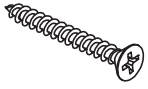


C x4

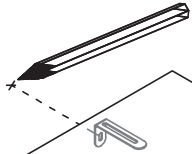


D x2

N x2



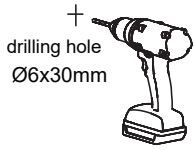
WALL



(1)x2

First, use a ruler to measure the approximate height of the product on the wall, and then mark it with a pen.

WALL

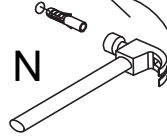


drilling hole  
Ø6x30mm

(2)x2

Then use a tape drill to make holes in the wall that are suitable for the product screws.

WALL

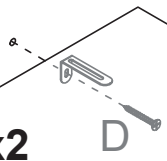


N

(3)x2

Then, put the expansion bolt into the hole

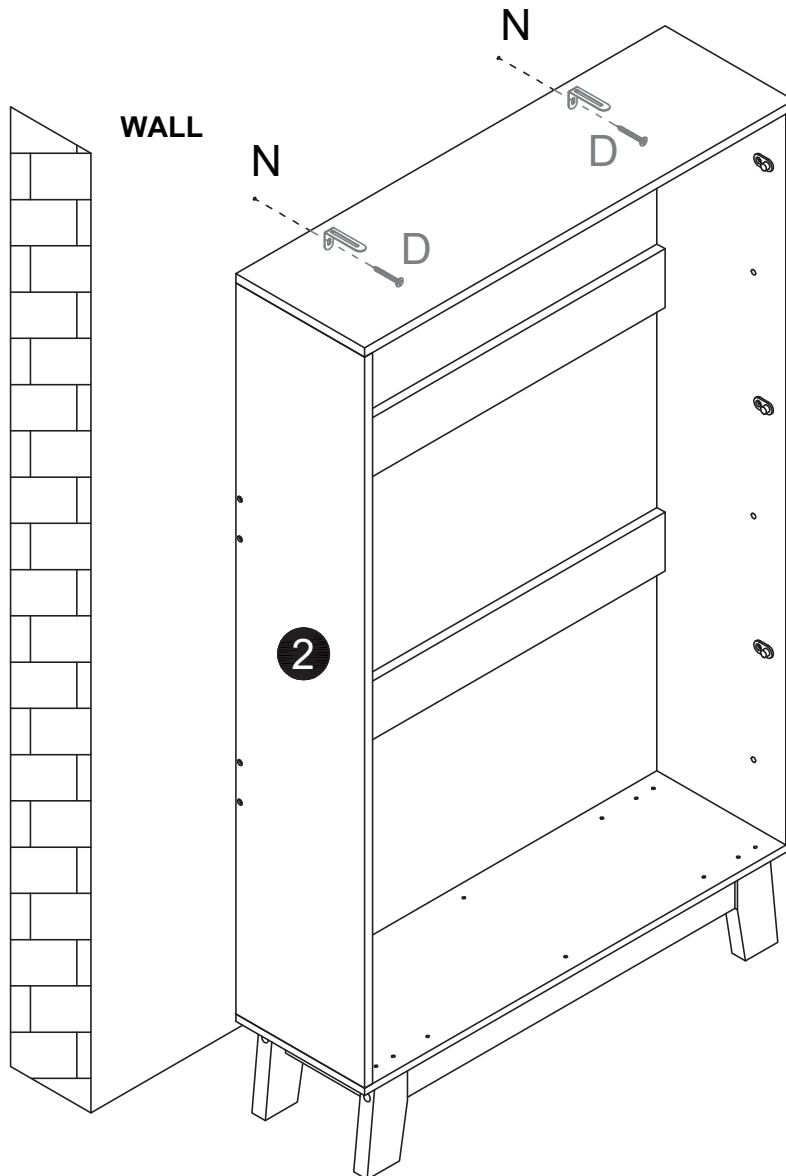
WALL



D

(4)x2

Finally, pass the matching screws through the "anti-rewind" and tighten them to fix them on the wall.

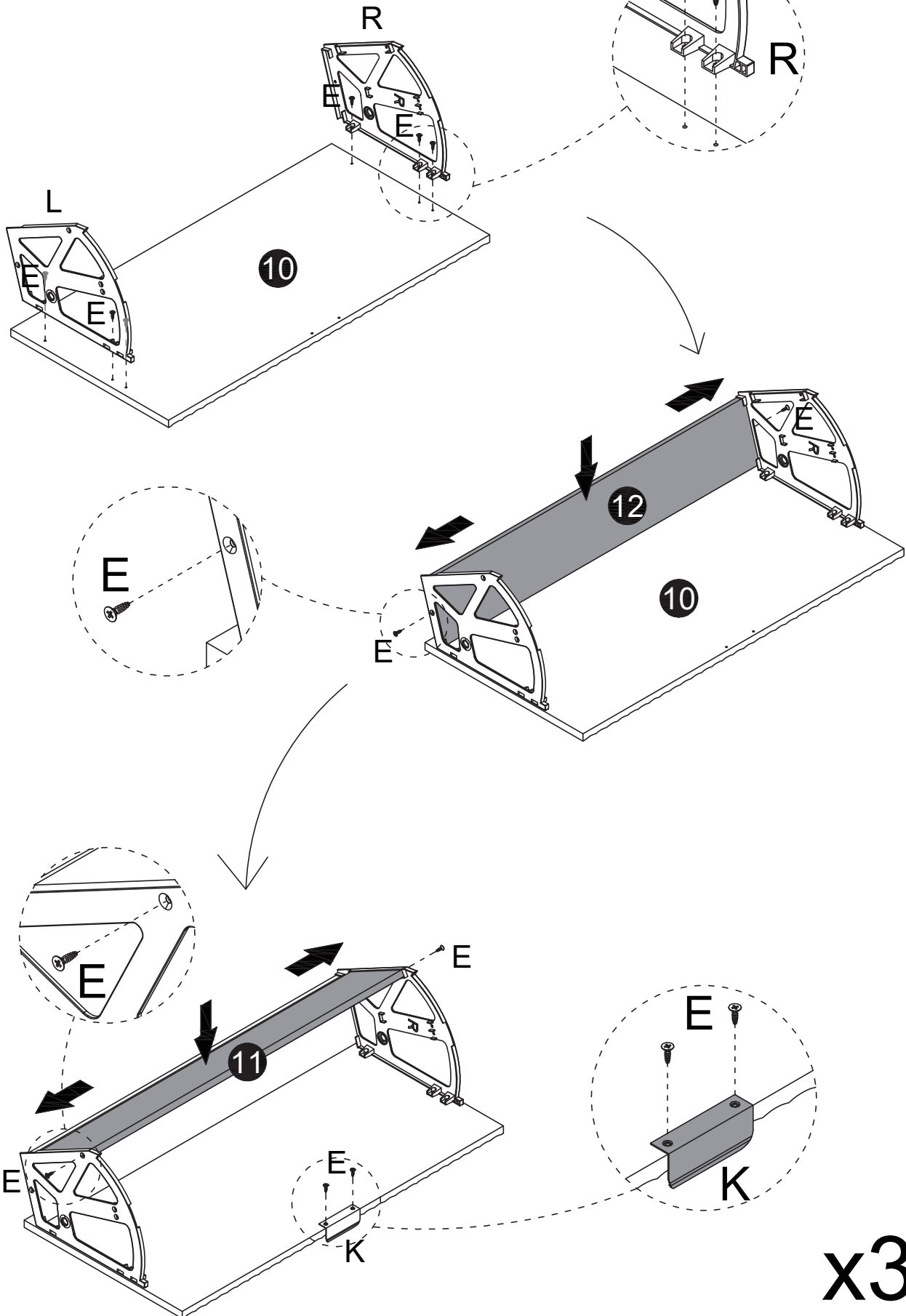
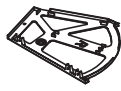


E x36

K x3

L x3

R x3

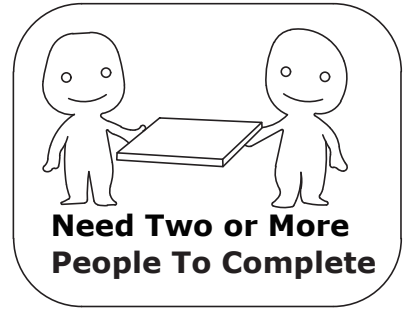
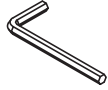


x3

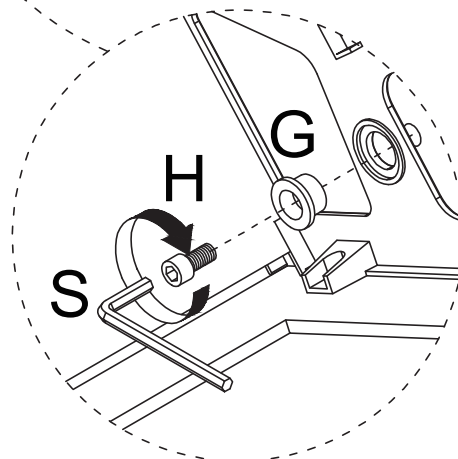
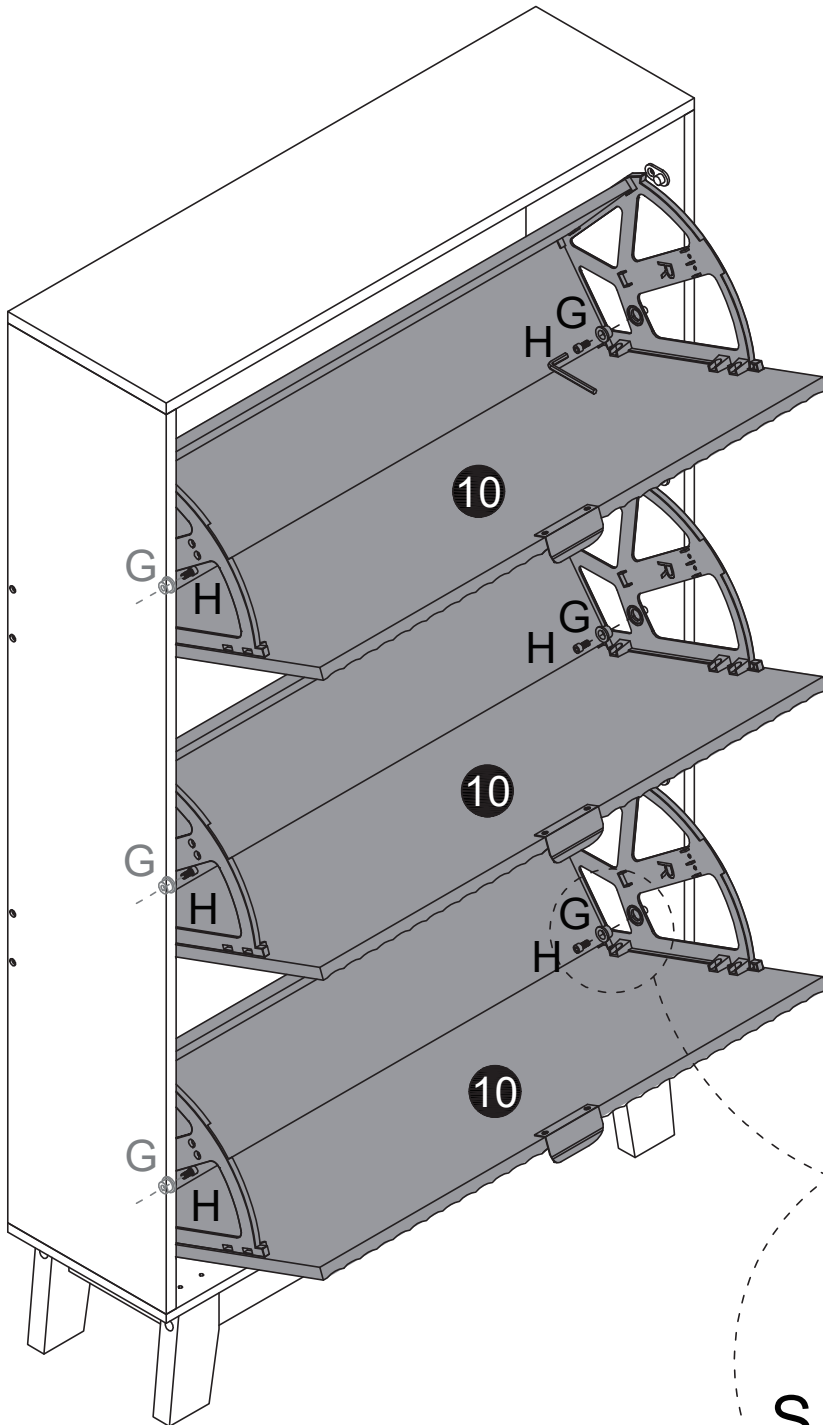
G x6

H x6

S x1

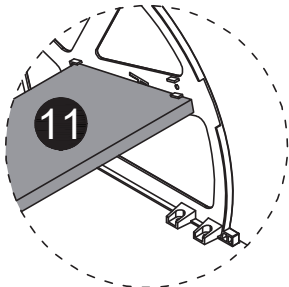


Please do not forcefully lock the installation screws to the maximum limit to avoid damaging the side panel.

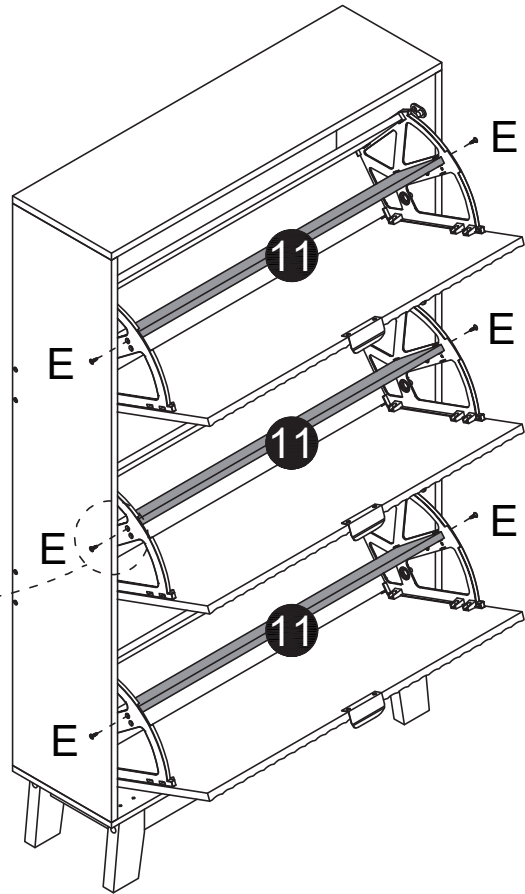
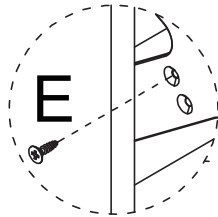
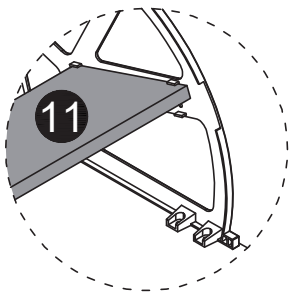


E x6

13



OR



O x8

Done

