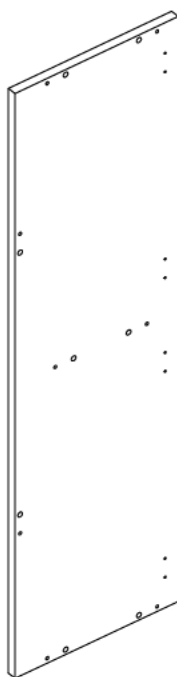
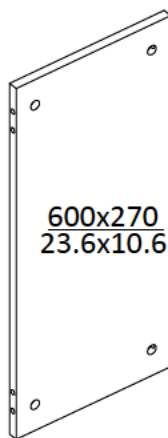




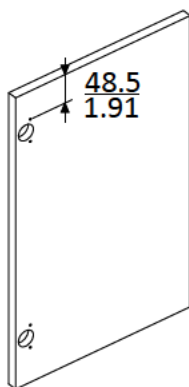
Ax1



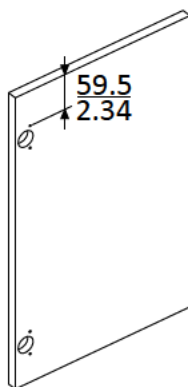
Bx1



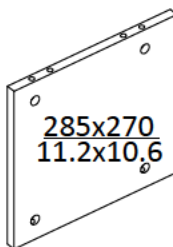
Cx1



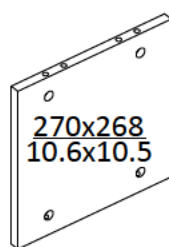
Dx1



Ex1



Fx2



Gx1



Hx16



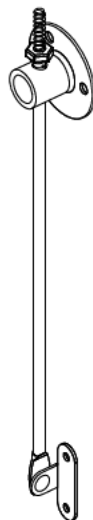
lx16



Jx16



Kx10  
M3.5x $\frac{12}{0.5}$



Px2



Lx24  
M3.5x $\frac{15}{0.6}$



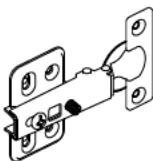
Mx4  
M4x $\frac{30}{1.2}$



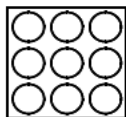
NX2



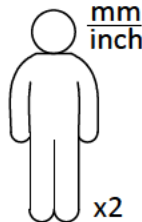
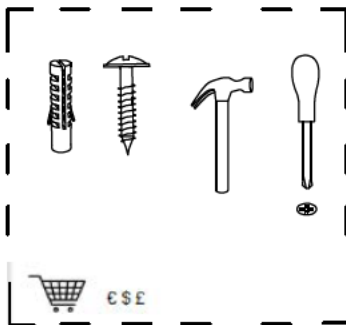
Ox2



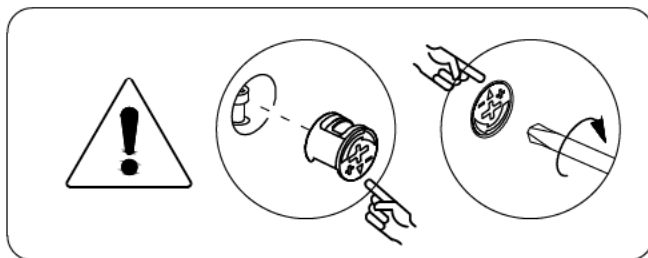
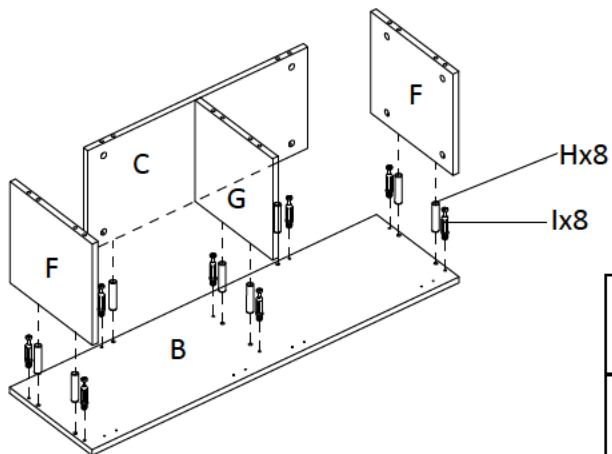
Qx4



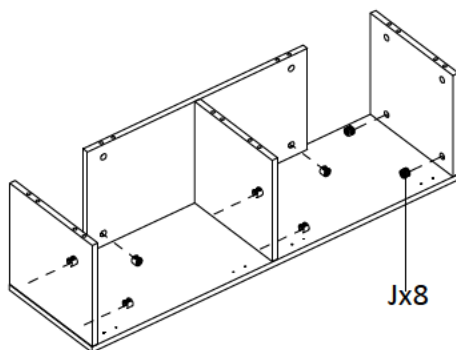
Rx2



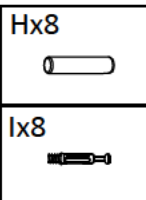
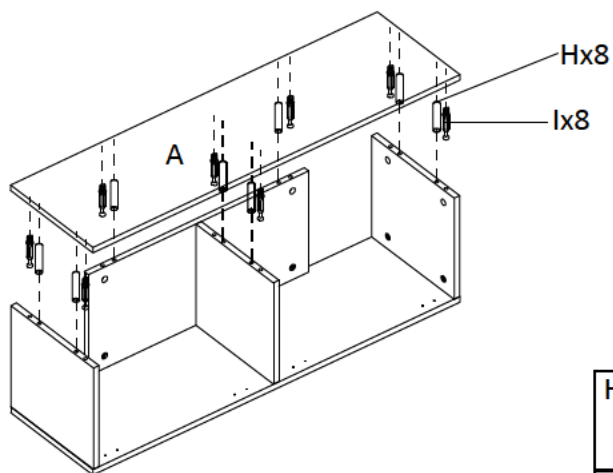
①



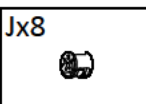
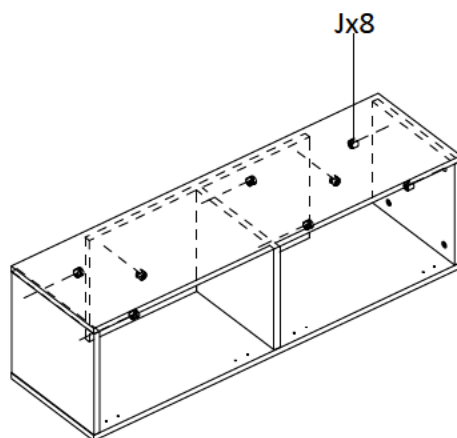
②

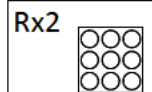
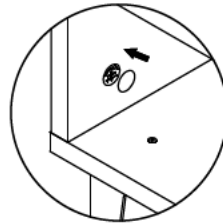
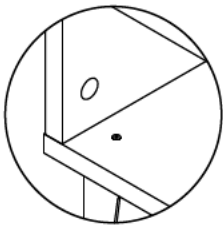
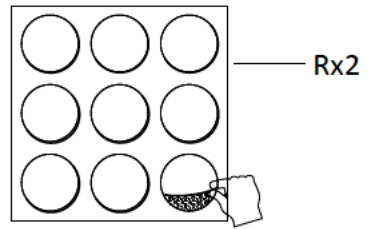
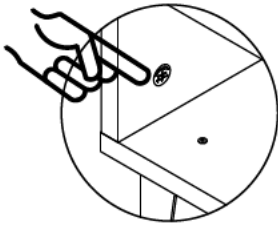


3

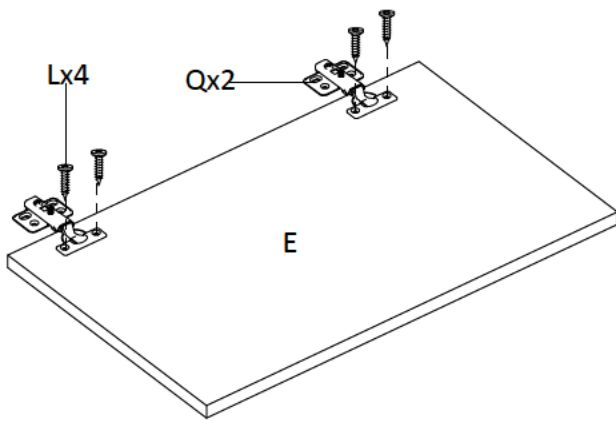




4





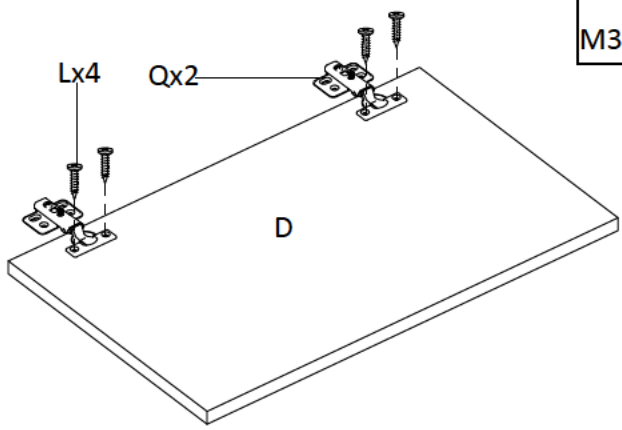
5





Qx2	
Lx4	
M3.5x	$\frac{15}{0.6}$

e


6

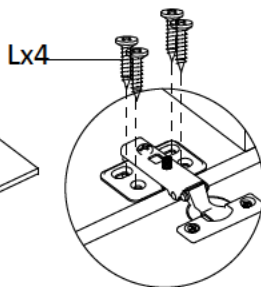
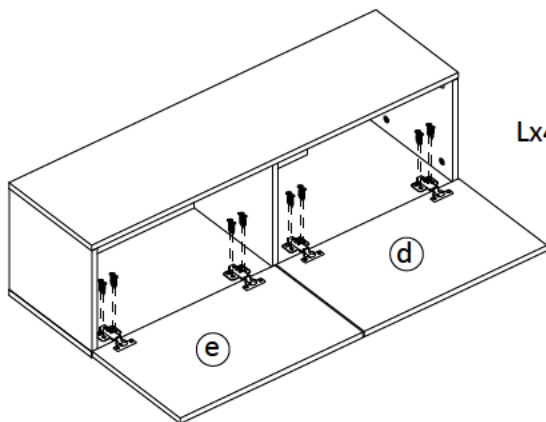


Qx2	
Lx4	
M3.5x	$\frac{15}{0.6}$

d



7

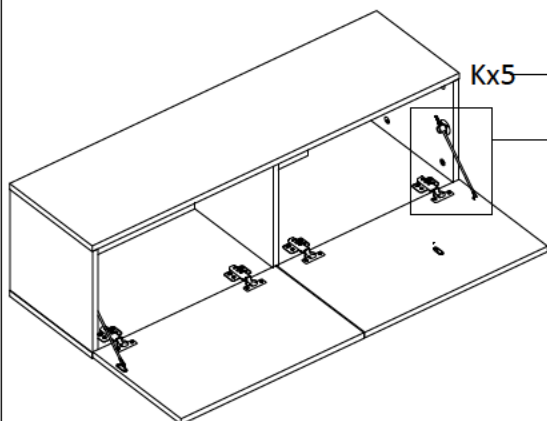
Lx16  
  
 M3.5x  $\frac{15}{0.6}$



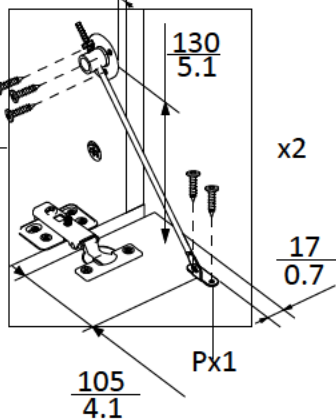
x4

8

Px2  
  
 Kx10  
  
 M3.5x  $\frac{12}{0.5}$



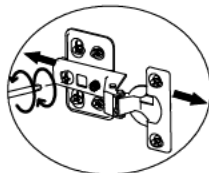
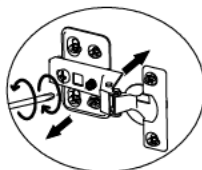
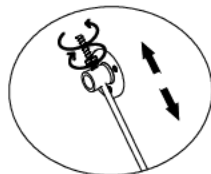
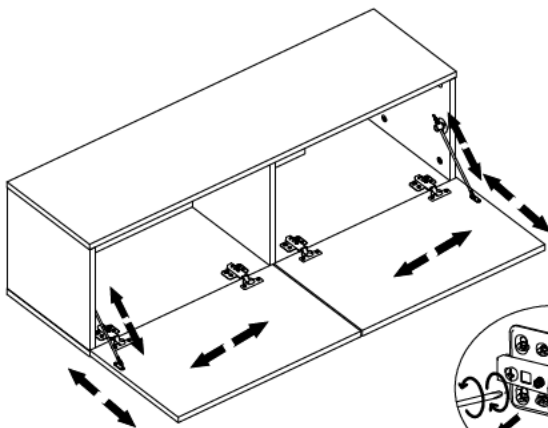
Kx5



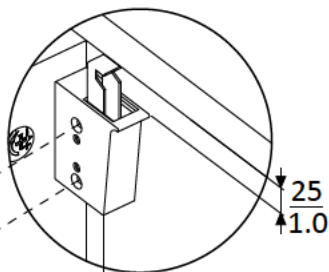
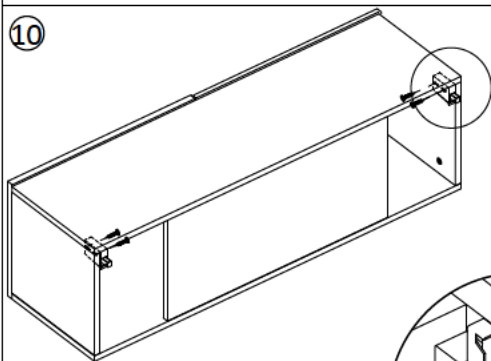
x2

$\frac{105}{4.1}$

9



10



Mx2

Ox1

x2

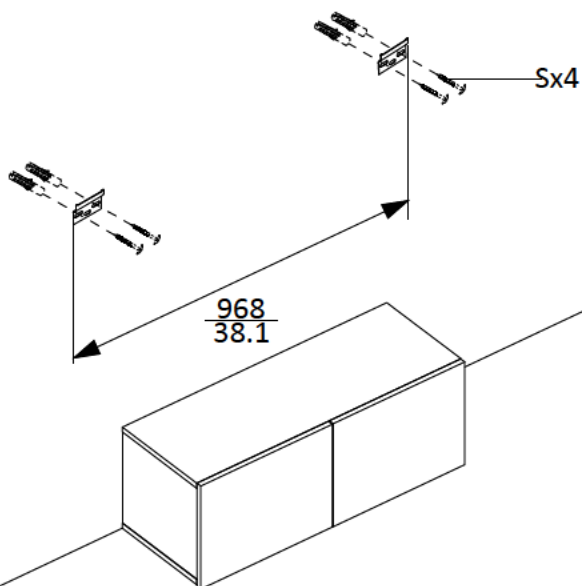
Mx4 30  
M3.5x 1.2



Ox2



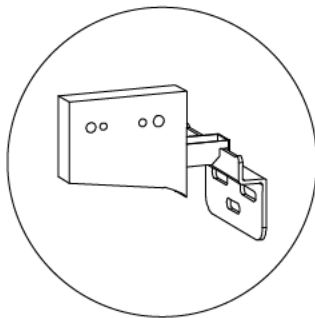
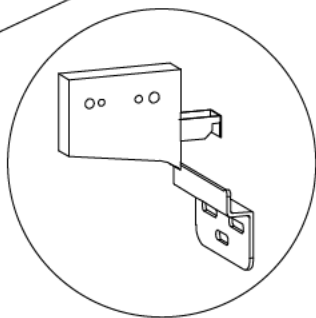
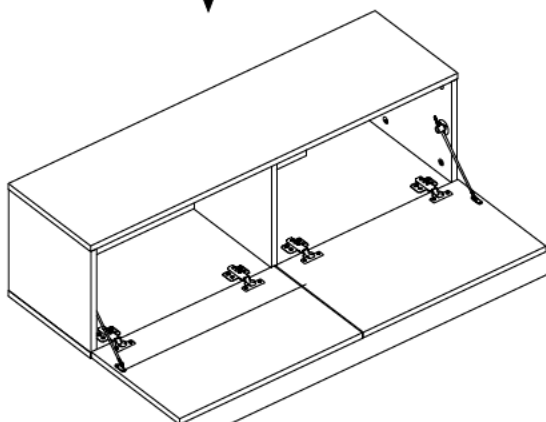
11



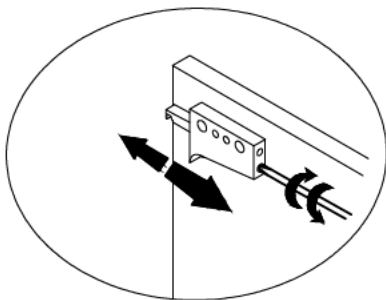
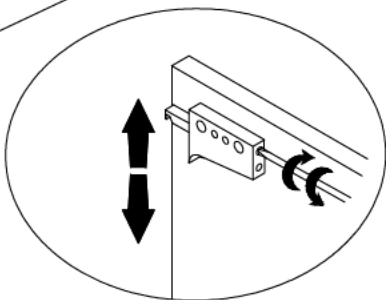
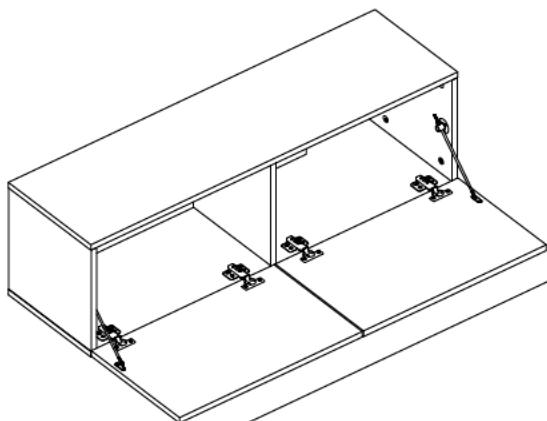
Nx2



12



13



---