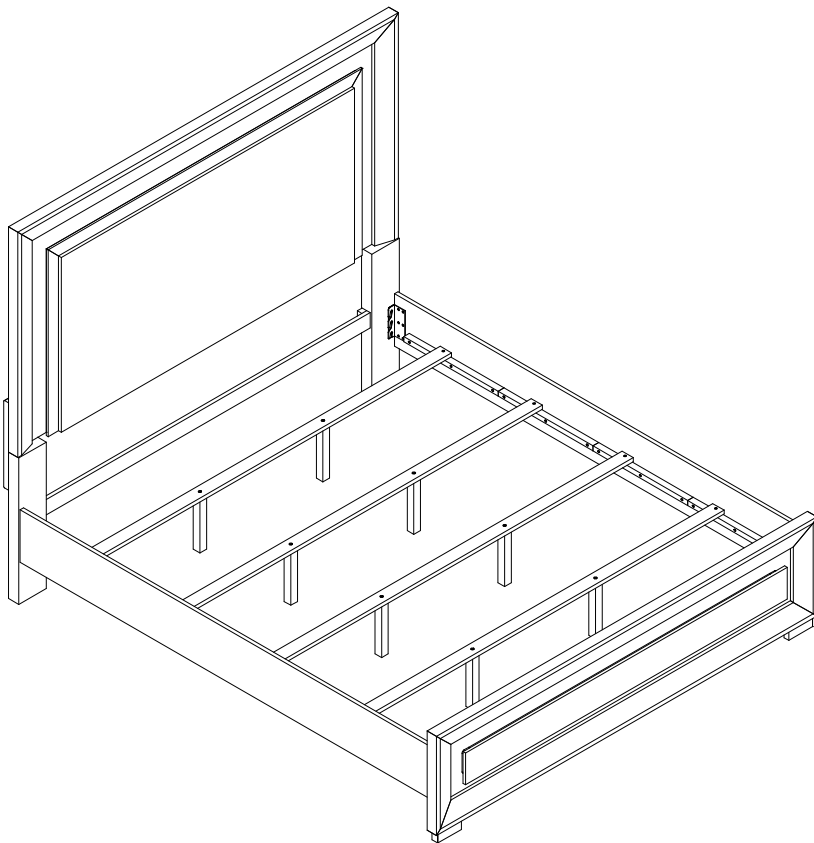


ASSEMBLY INSTRUCTIONS



TOOLS REQUIRED



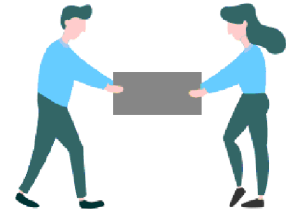
Allen Wrench

(Included)



Phillips
Screwdriver

(Not Included)



3 - People
Recommended

ASSEMBLY RATING



EASY —————> DIFFICULT

The Assembly Rating is a 5-point system showing the level of effort needed to assemble a specific product.



CHECK BEFORE STARTING

Are you missing anything?

Double-check all parts, hardware and accessories listed are all accounted for.

Check out our Quick Tips!

We recommend reviewing the pre-assembly handouts. Even experts need a refresher now and then!

Should we send any replacements?

Are there any irregularities or flaws in the parts? We can send replacements!

Prep Time!

Please review the assembly instructions and all diagrams prior to assembling.

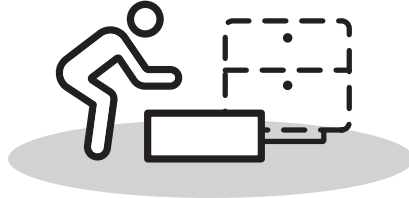
PRE ASSEMBLY INTRODUCTION

We understand building ready-to-assemble furniture can be a challenging experience for some. To help avoid confusion, we have provided some helpful tips that may speed up the process.



Teamwork

ALWAYS have at least two people to help with transporting and assembling the product to avoid potential injury and/or damage.



Suitable Location

Assembling near the area of the intended location is highly recommended.



Sufficient Space

Make sure you have enough space to move around during the assembly.



Avoid Scratches

Use cardboard, blankets or a carpeted area while assembling furniture to prevent to prevent scratches and damages.



Flat Surface

Make sure the furniture rests on a flat and level surface with each leg evenly touching the floor.

ASSEMBLY AND CARE ADVICE



FAILURE TO FOLLOW THE GUIDELINES BELOW MAY RESULT IN INJURY AND/OR PROPERTY DAMAGE.



Position each part correctly and insert screws or bolts into their respective holes.



Turn clockwise to tighten and only tighten when step is completed or when instructed to do so.



Use the appropriate hand tools or power tools for assembly. Select steps, such as tightening screws and/or bolts, may require hand tools to avoid causing damage during assembly.



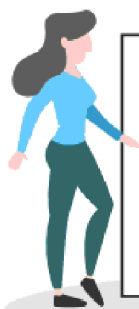
Save the instructions and store any supplied tools for later maintenance.



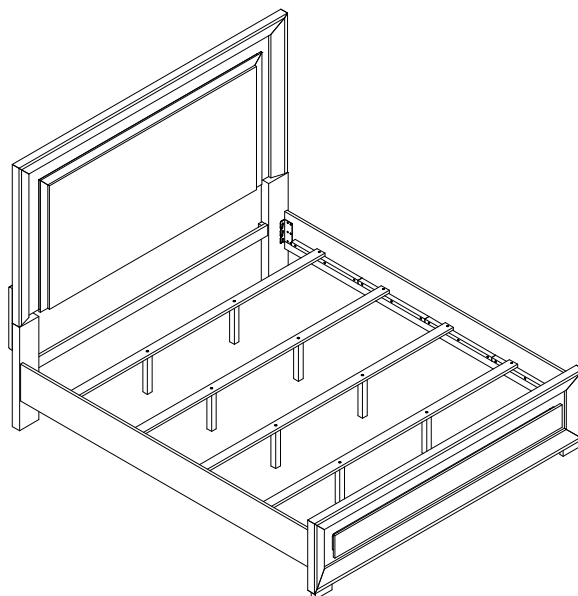
After two weeks, check and tighten any loose hardware and repeat again every six months thereafter.

IT IS THE USER'S RESPONSIBILITY TO MAINTAIN THE FURNITURE. THE HARDWARE MAY LOOSEN OVER TIME AND MAY CAUSE THE FURNITURE TO BE WOBBLY AND UNABLE TO SUPPORT ITS INTENDED WEIGHT CAPACITY. THIS MAY LEAD TO COLLAPSE AND MAY CAUSE SERIOUS INJURY.

BED

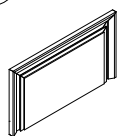


- Please keep instructions for future reference.
- Check the quantity and irregularity of parts and hardware before you start.



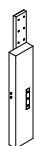
PARTS

#1 1pc



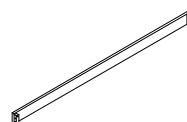
Headboard

#2 2pcs



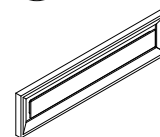
HB Leg(R&L)

#3 1pc



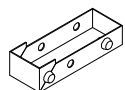
HB Bottom Rail

#4 1pc



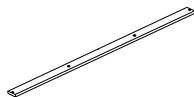
Footboard

#5 2pcs



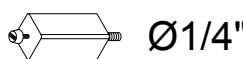
FB Leg

#6 4pcs



Slat

#7 8pcs



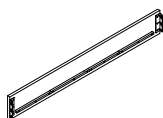
Support leg
35x35x270mm

#8 1pc



Left Side rail

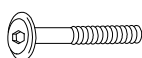
#9 1pc



Right Side rail

HARDWARE

#A 16pcs



Bolt
Ø1/4" x 1-3/4"

#B 16pcs



Lock Washer
Ø1/4"x 10mm

#C 16pcs



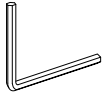
Flat Washer
Ø1/4"x 13mm

#D 2pcs



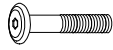
Allen Key M4

#E 1pc



Allen Key M4

#F 16pcs



Bolt
Ø5/16" x 1"

#G 4pcs



Lock Washer
Ø5/16"x 13mm

#H 4pcs



Flat Washer
Ø5/16"x 19mm

#I 8pcs

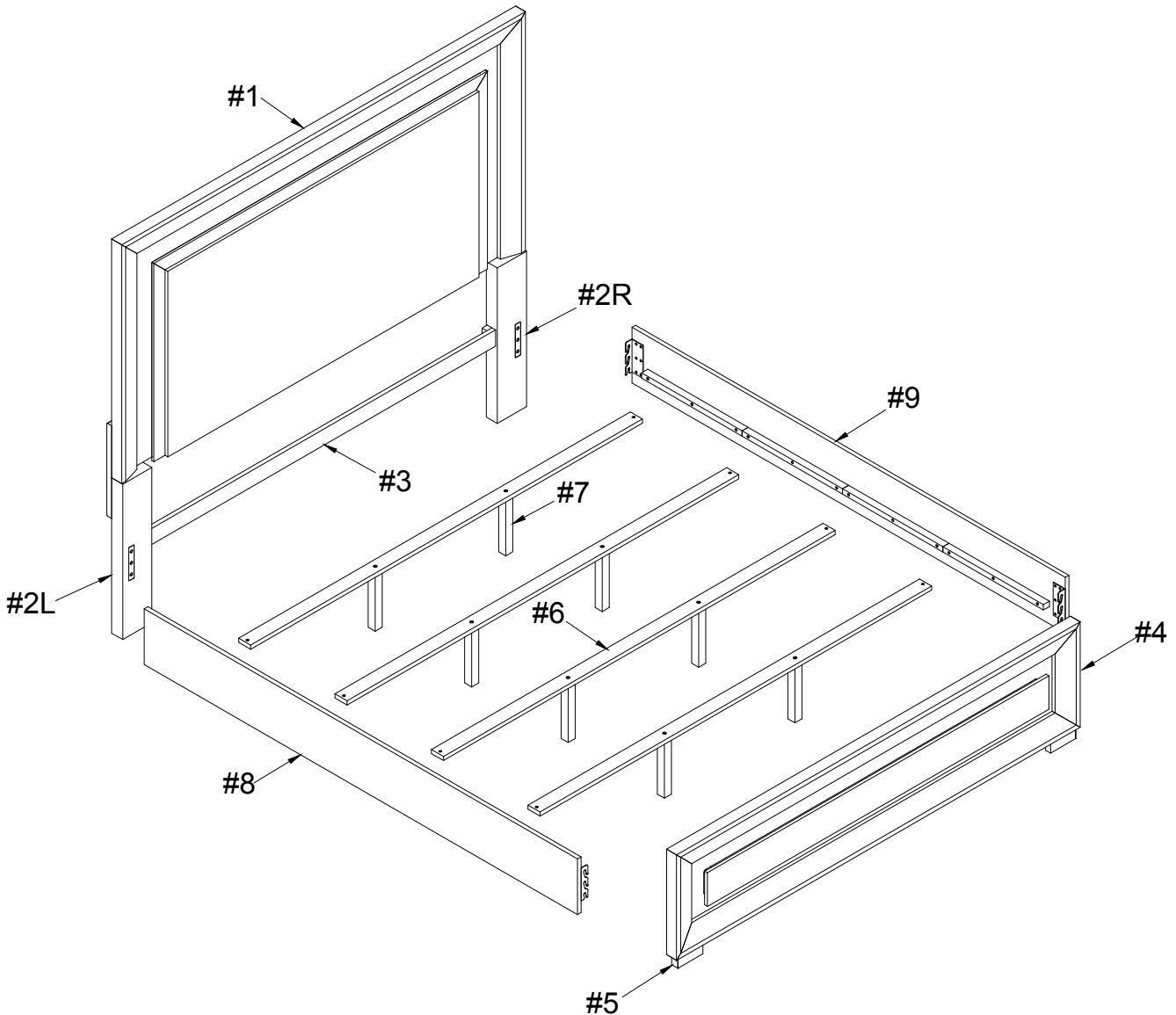


Screw #4 x 30mm

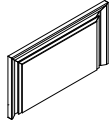






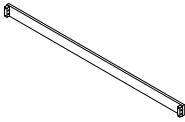
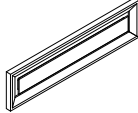





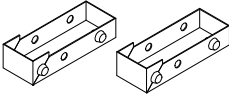
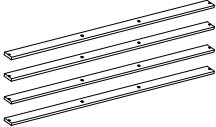
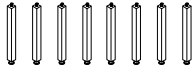
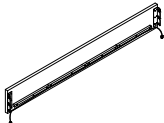

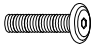

#J 1Set



Plug-in-Power Supply



packed in 3 cases

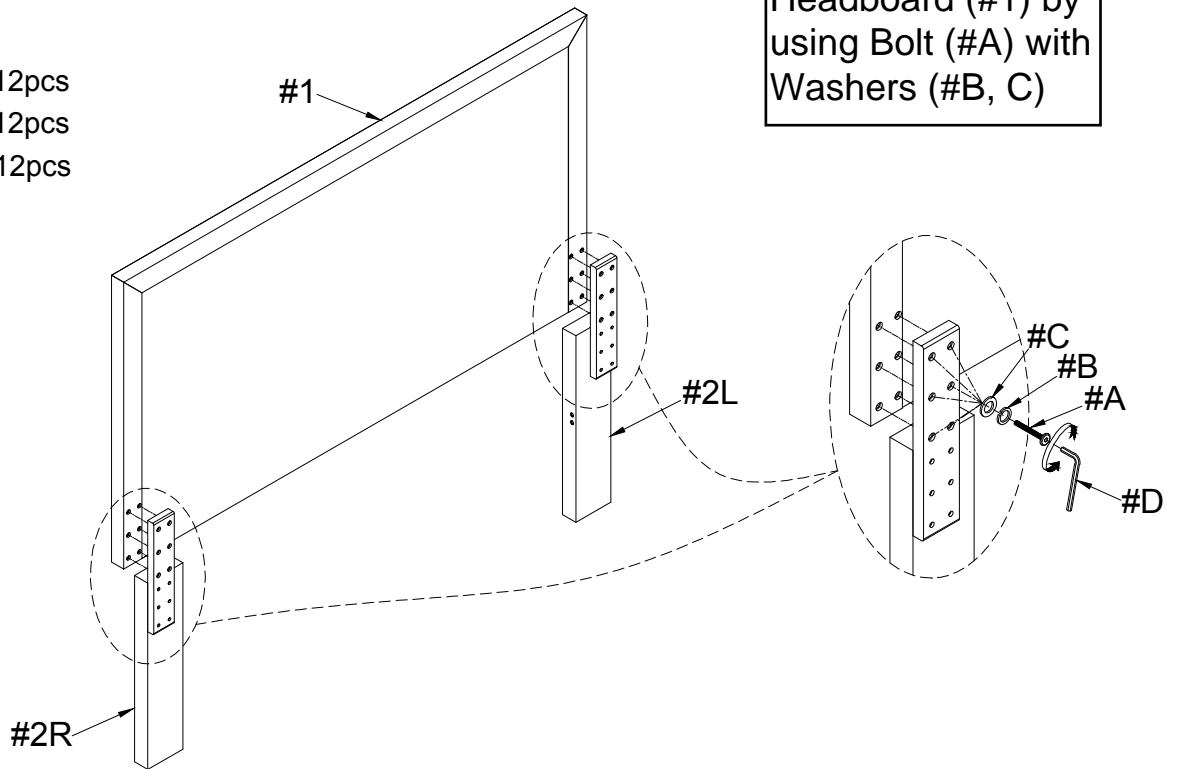
Carton	Designation	Part	Hardware
	Headboard	#1 	 #A x 16pcs  #B x 16pcs  #C x 16pcs  #D x 1pc  #J x 1pc
	Headboard Leg (L&R) (2PCS)	#2 	
	Headboard bottom rail	#3 	
	Footboard	#4 	 #F x 4pcs  #G x 4pcs  #H x 4pcs  #E x 1pc  #I x 8pcs
	FB Leg (2PCS)	#5 	
	Slat (4PCS)	#6 	
	Support leg (8PCS)	#7 	
	Left Side rail	#8 	 #D x 1pc  #F x 12pcs
	Right Side rail	#9 	

ASSEMBLY INSTRUCTIONS

1

- Part #1 x1pc
- Part #2 x2pcs
- Hardware #A x12pcs
- Hardware #B x12pcs
- Hardware #C x12pcs

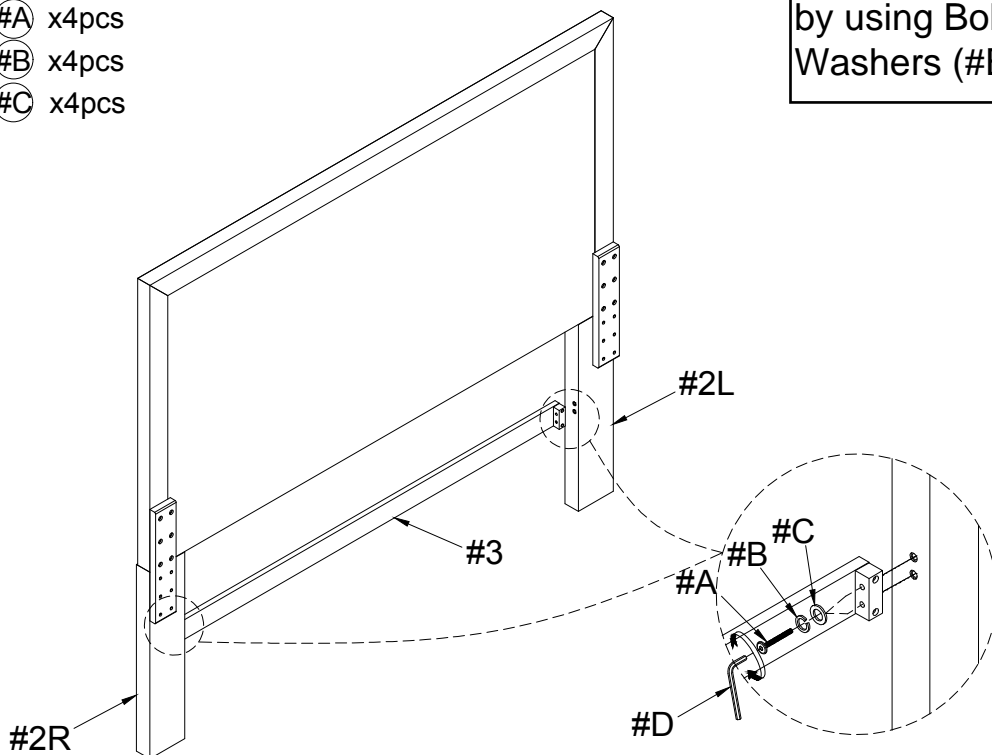
Align and attach HB Legs (#2) to Headboard (#1) by using Bolt (#A) with Washers (#B, C)



2

- Part #3 x1pc
- Hardware #A x4pcs
- Hardware #B x4pcs
- Hardware #C x4pcs

Attach HB Bottom Rail (#3) to HB Legs (#2) by using Bolt (#A) with Washers (#B, C)



ASSEMBLY INSTRUCTIONS

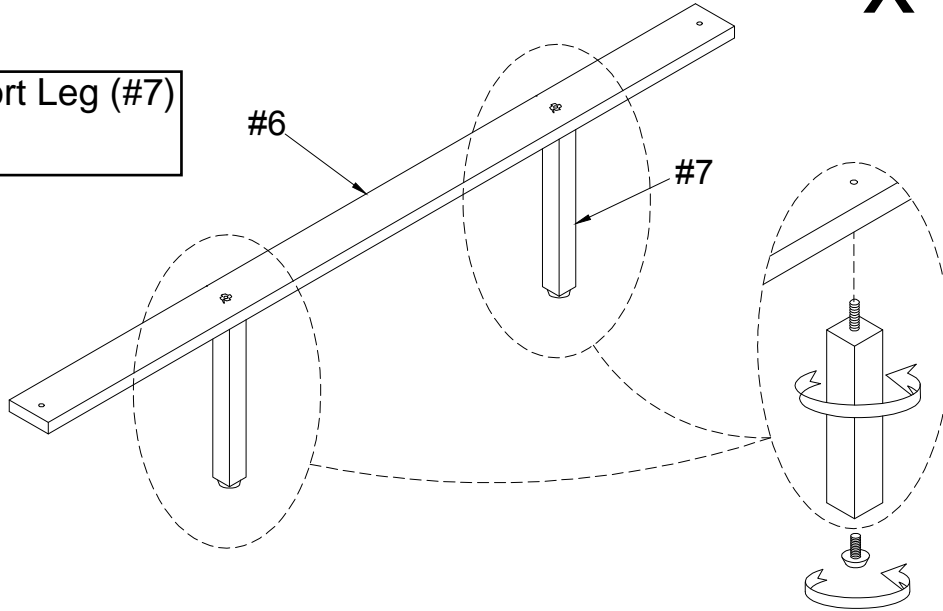
5

Part #6 x1pc

Part #7 x2pcs

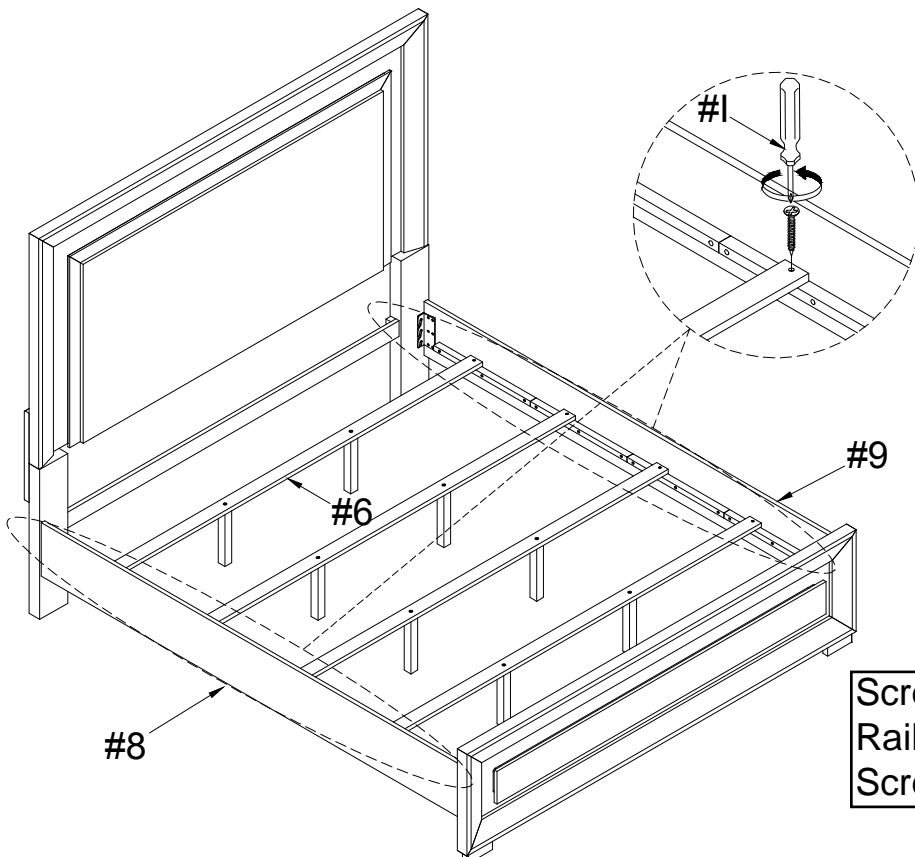
x 4

Screw Support Leg (#7)
to Slat (#6)



6

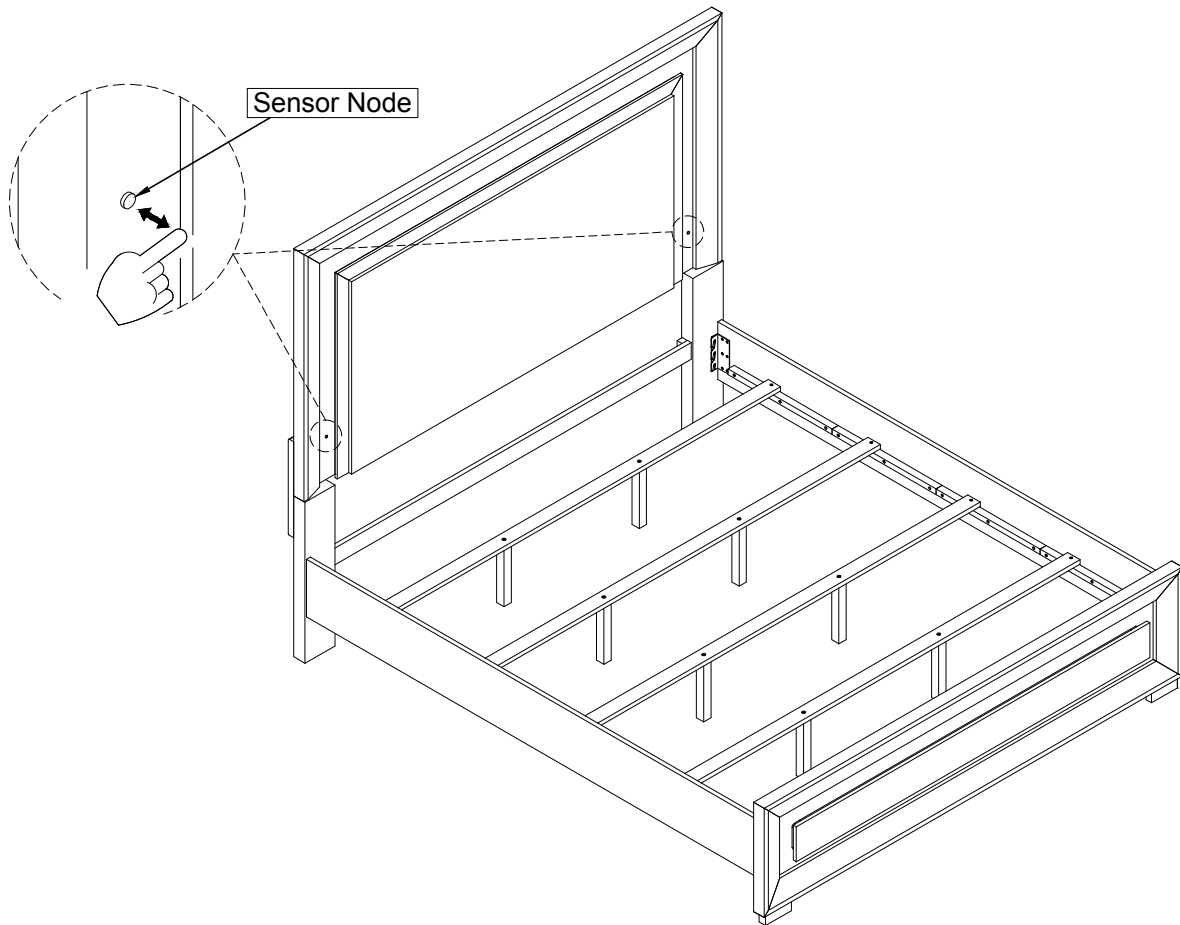
Hardware #1 x8pcs



Screw Slat (#6) unto
Rails (#8, 9) using
Screw (#1)

ASSEMBLY INSTRUCTIONS

7



ASSEMBLY COMPLETED



Please ensure the furniture rests on an even and flat surface. If the product wobbles or feels loose, double-check all bolts and/or screws are properly tightened and secured.



Keep this handy!

Please retain this instruction manual and any order-related information for future reference.



Lift, don't drag!

To avoid damage to product please always LIFT the product when transporting or adjusting the placement.