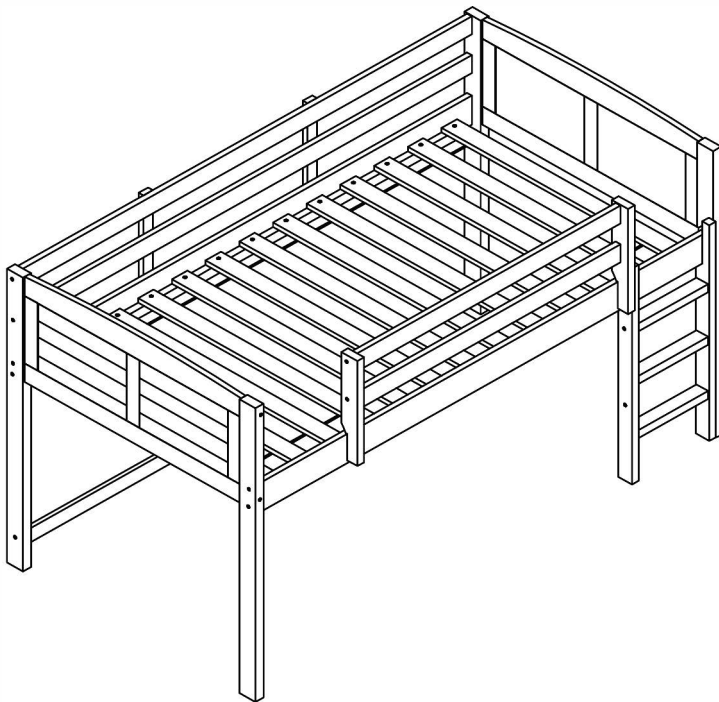


ASSEMBLY INSTRUCTIONS



TOOLS REQUIRED



Allen Wrench

(Included)



Phillips Screwdriver

(Not Included)



2 - People
Recommended

ASSEMBLY RATING



EASY → DIFFICULT

The Assembly Rating is a 5-point system showing the level of effort needed to assemble a specific product.



CHECK BEFORE STARTING

Are you missing anything?

Double-check all parts, hardware and accessories listed on Page 6 are accounted for.

Should we send any replacements?

Are there any irregularities or flaws in the parts? We can send replacements!

Check out our Quick Tips!

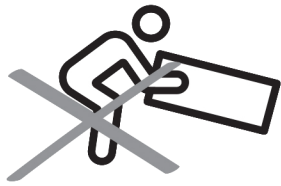
We recommend reviewing the pre-assembly handouts. Even experts need a refresher now and then!

Prep Time!

Please review the assembly instructions and all diagrams prior to assembling. Arrange parts as recommended on Page 7 and group identical hardware together to make assembling easier.

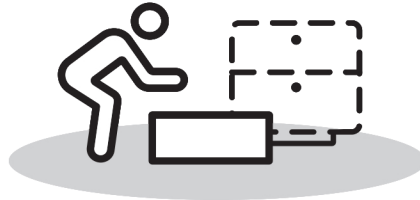
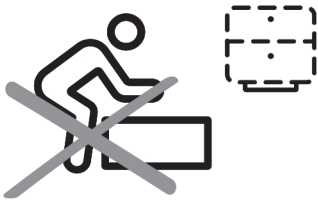
PRE ASSEMBLY INTRODUCTION

We understand building ready-to-assemble furniture can be a challenging experience for some. To help avoid confusion, we have provided some helpful tips that may speed up the process.



Teamwork

ALWAYS have at least two people to help with transporting and assembling the product to avoid potential injury and/or damage.



Suitable Location

Assembling near the area of the intended location is highly recommended.



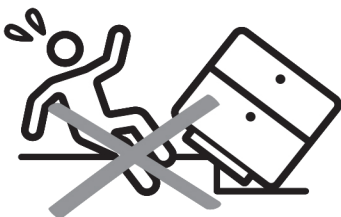
Sufficient Space

Make sure you have enough space to move around during the assembly.



Avoid Scratches

Use cardboard, blankets or a carpeted area while assembling furniture to prevent scratches.



Flat Surface

Make sure the furniture rests on a flat and level surface with each leg evenly touching the floor.

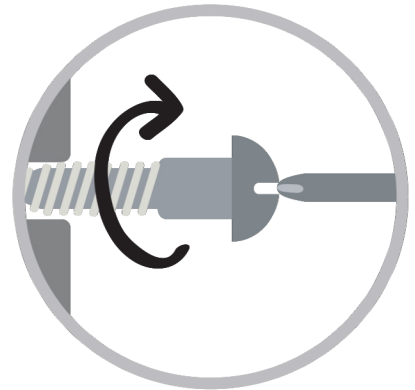
ASSEMBLY AND CARE ADVICE



FAILURE TO FOLLOW THE GUIDELINES BELOW MAY RESULT IN INJURY AND/OR PROPERTY DAMAGE.



Position each part correctly and insert screws or bolts into their respective holes.



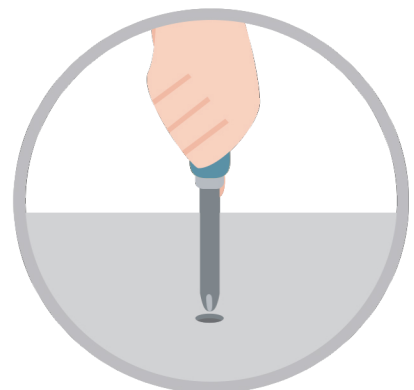
Turn clockwise to tighten and only tighten when step is completed or when instructed to do so.



Use the appropriate hand tools or power tools for assembly. Select steps, such as tightening screws and/or bolts, may require hand tools to avoid causing damage during assembly.



Save the instructions and store any supplied tools for later maintenance.



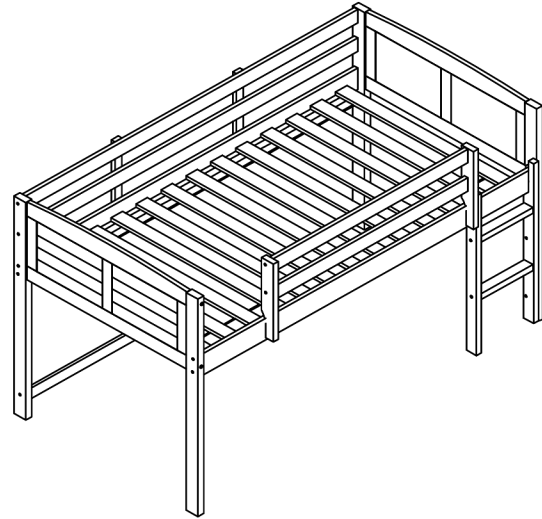
After two weeks, check and tighten any loose hardware and repeat again every six months thereafter.

IT IS THE USER'S RESPONSIBILITY TO MAINTAIN THE FURNITURE. THE HARDWARE MAY LOOSEN OVER TIME AND MAY CAUSE THE FURNITURE TO BE WOBBLY AND UNABLE TO SUPPORT ITS INTENDED WEIGHT CAPACITY. THIS MAY LEAD TO COLLAPSE AND MAY CAUSE SERIOUS INJURY.

BED



- Please keep instructions for future reference.
- Check the quantity and irregularity of parts and hardware before you start.



PARTS

#1 1pc



Front Right Foot

#2 1pc



Front Left Foot

#3 1pc



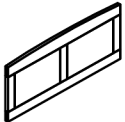
Back Right Foot

#4 1pc



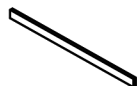
Back Left Foot

#5 2pcs



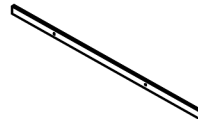
Headboard

#6 2pcs



Front Guardrail

#7 2pcs



Back Guardrail

#8 1pc



Back Siderail

#9 2pcs



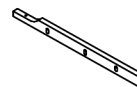
Front Guardrail Support

#10 1set



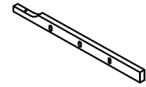
Slat(13pcs)

#11 1pc



Ladder Rail(L)

#12 1pc



Ladder Rail(R)

#13 3pcs



Ladder Rung

#14 2pcs



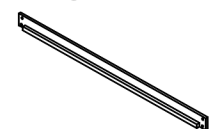
Back Guardrail Support

#15 1pc



Bottom Back Rail

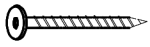
#16 1pc



Front Siderail

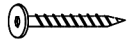
HARDWARE

#A 8pcs



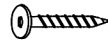
Screw Ø1/4" x 4"

#B 10pcs



Bolt Ø1/4" x 3-1/8"

#C 6pcs



Bolt Ø1/4" x 2"

#D 18pcs



Wood Dowel
Ø10 x 40mm

#E 8pcs



Washer Ø1/4"

#F 8pcs



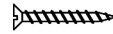
Bolt Ø1/4" x 3-1/8"

#G 26pcs



Screw #4x35mm

#H 2pcs



Screw #4x40mm

#I 1set



Hook (2PCS)

#K 1pc



Allen Key 4mm

#L 4pcs



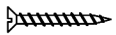
Bolt Ø1/4" x 1-5/8"

#M 6pcs

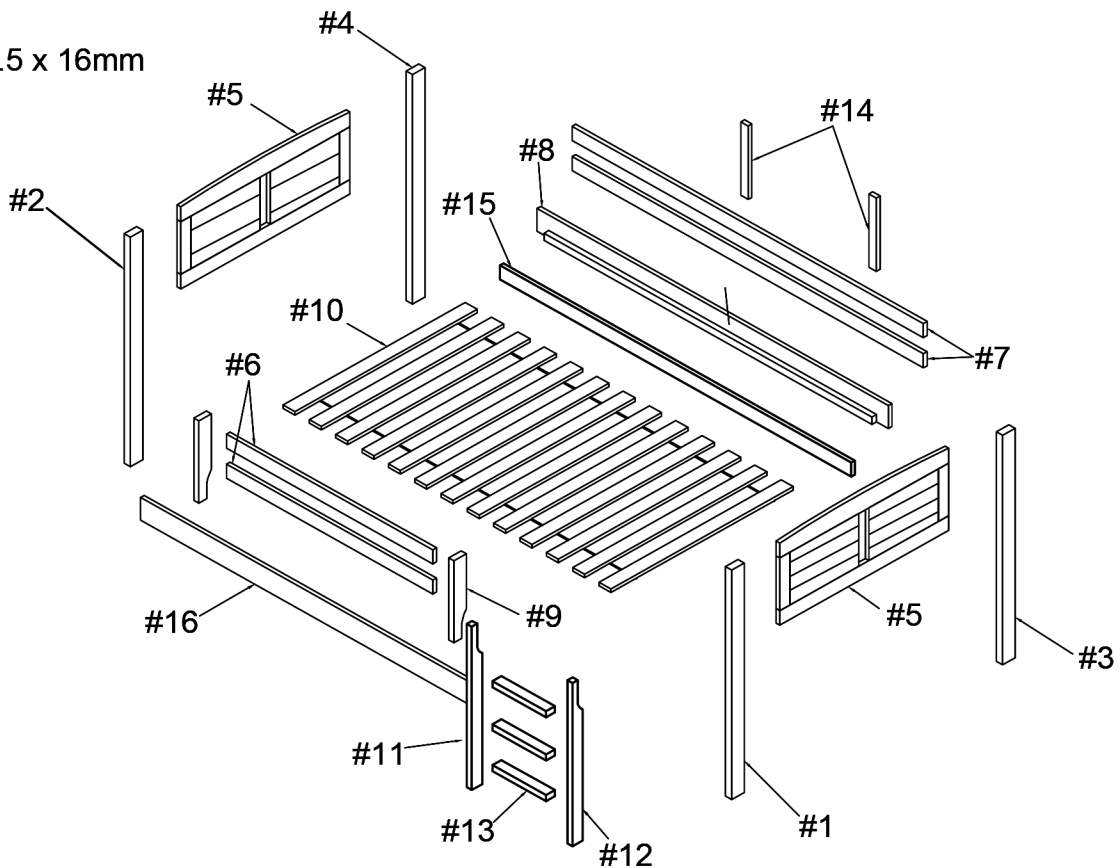


Bolt Ø1/4" x 1-1/4"

#N 6pcs



Screw #3.5 x 16mm

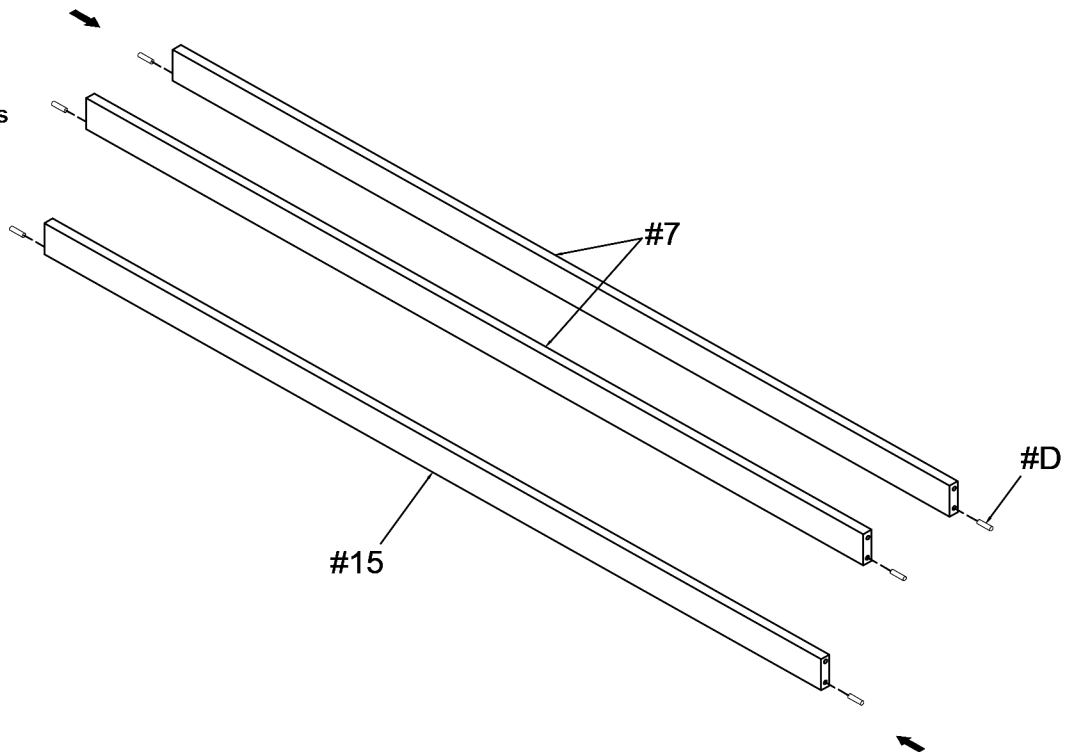


ASSEMBLY INSTRUCTIONS

1

Part #7 x2pcs
Part #15 x1pc
Hardware #D x6pcs

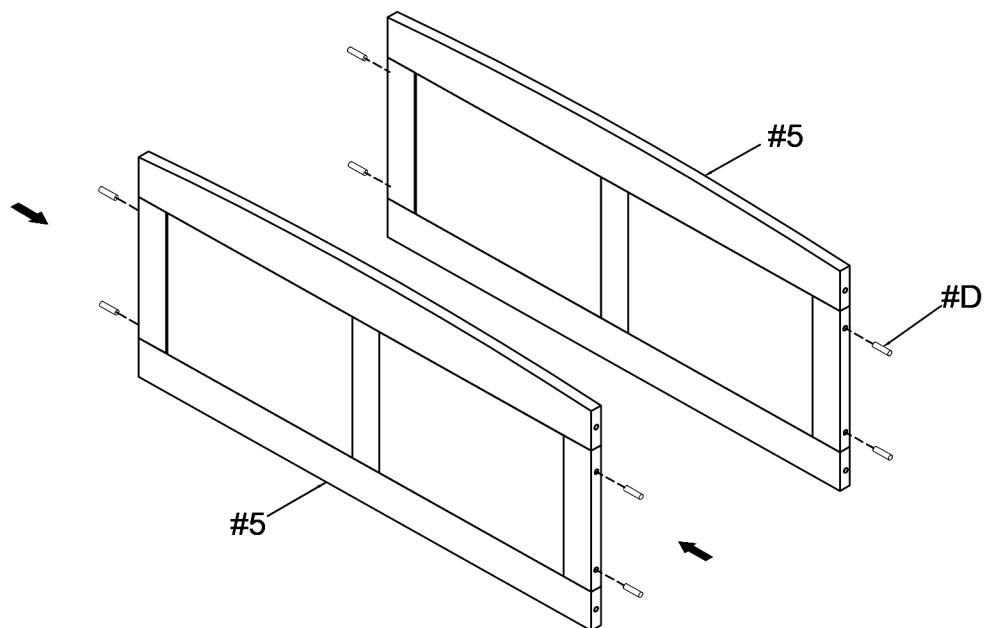
Insert dowels (#D) to panels (#7,15).



2

Part #5 x2pcs
Hardware #D x8pcs

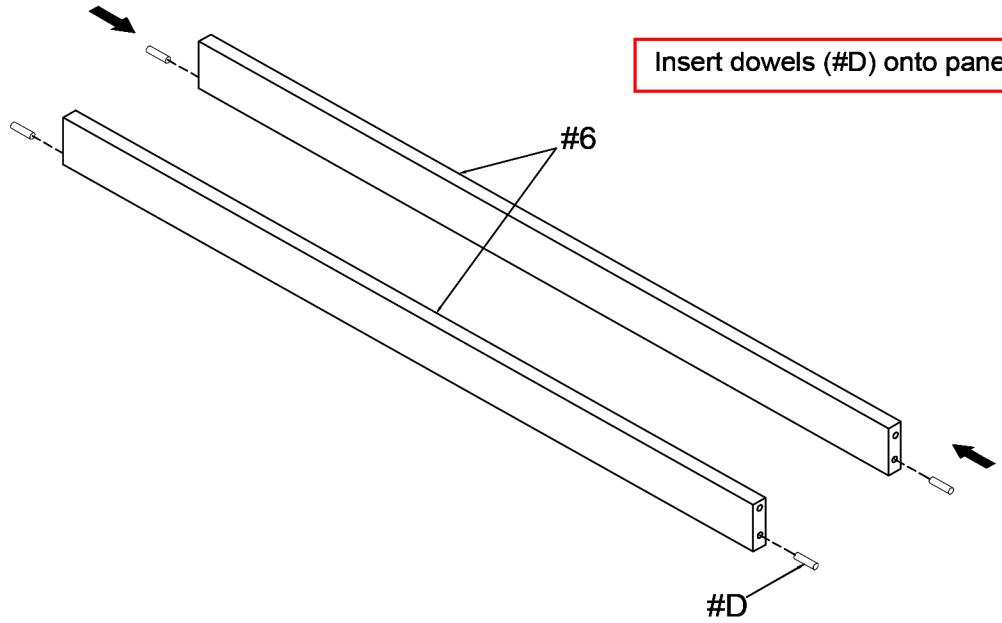
Insert dowels (#D) onto panels (#5).



ASSEMBLY INSTRUCTIONS

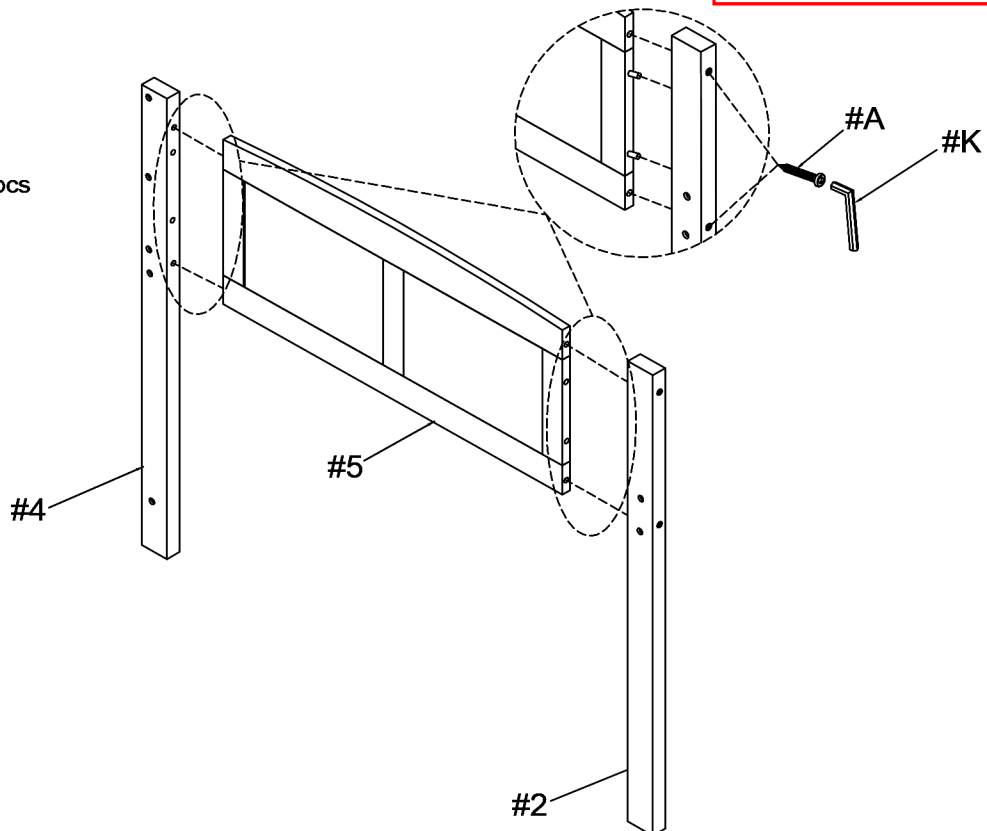
3

Part #6 x2pcs
Hardware #D x4pcs



4

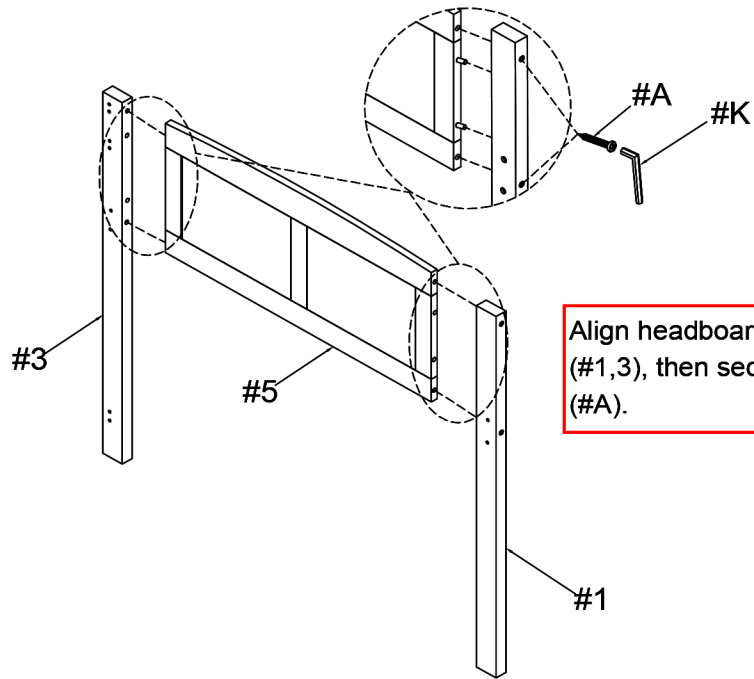
Part #2 x1pc
Part #4 x1pc
Part #5 x1pc
Hardware #A x4pcs



ASSEMBLY INSTRUCTIONS

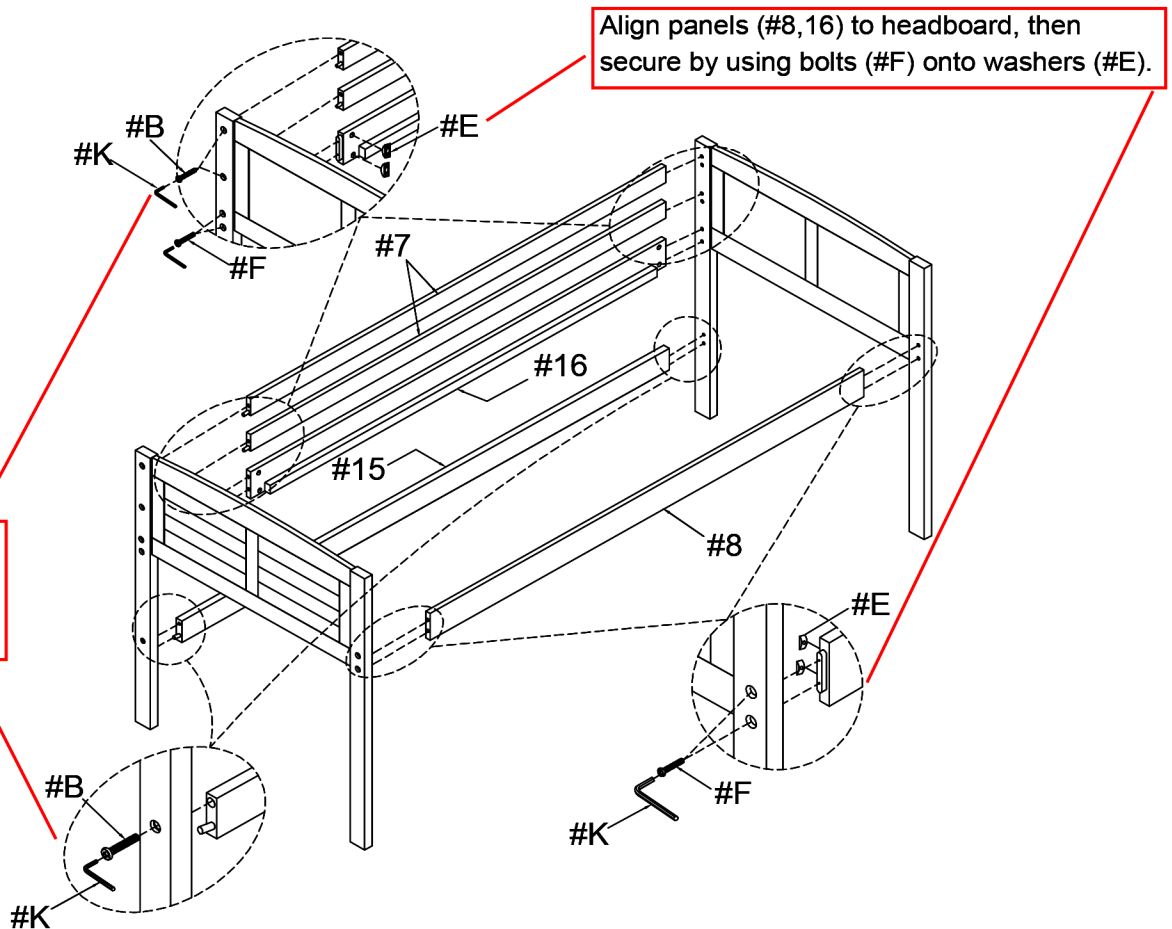
5

- Part #1 x1pc
- Part #3 x1pc
- Part #5 x1pc
- Hardware #A x4pcs



6

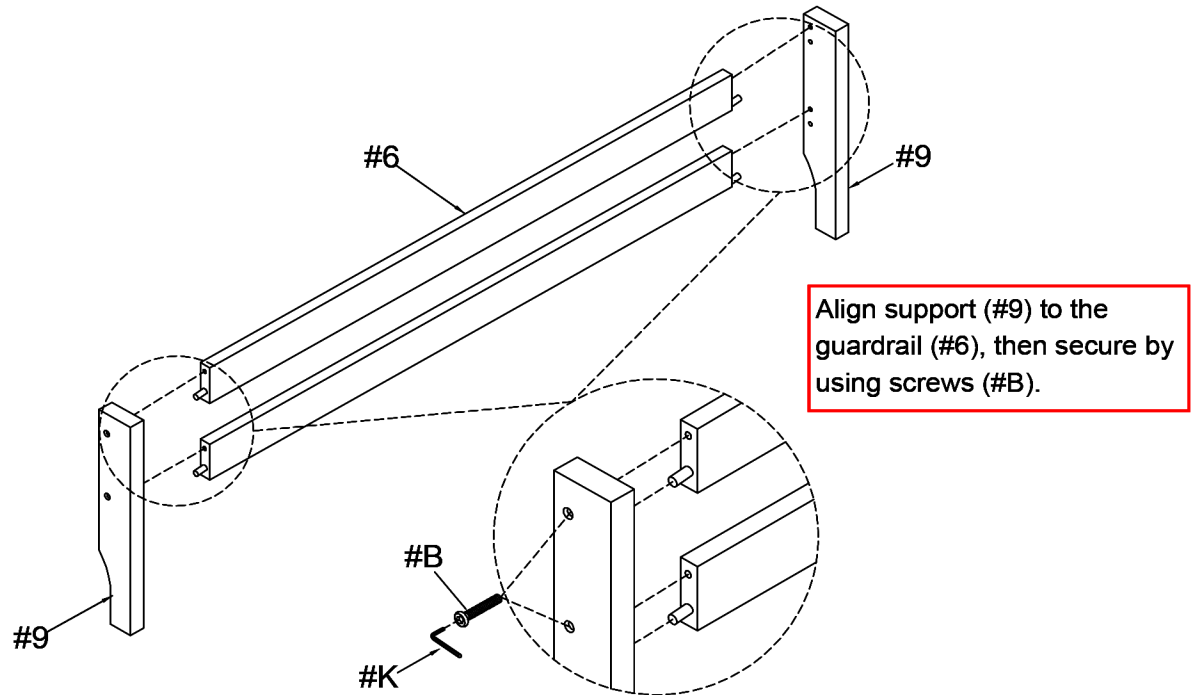
- Part #7 x2pcs
- Part #8 x1pc
- Part #15 x1pc
- Part #16 x1pc
- Hardware #B x6pcs
- Hardware #E x8pcs
- Hardware #F x8pcs



ASSEMBLY INSTRUCTIONS

7

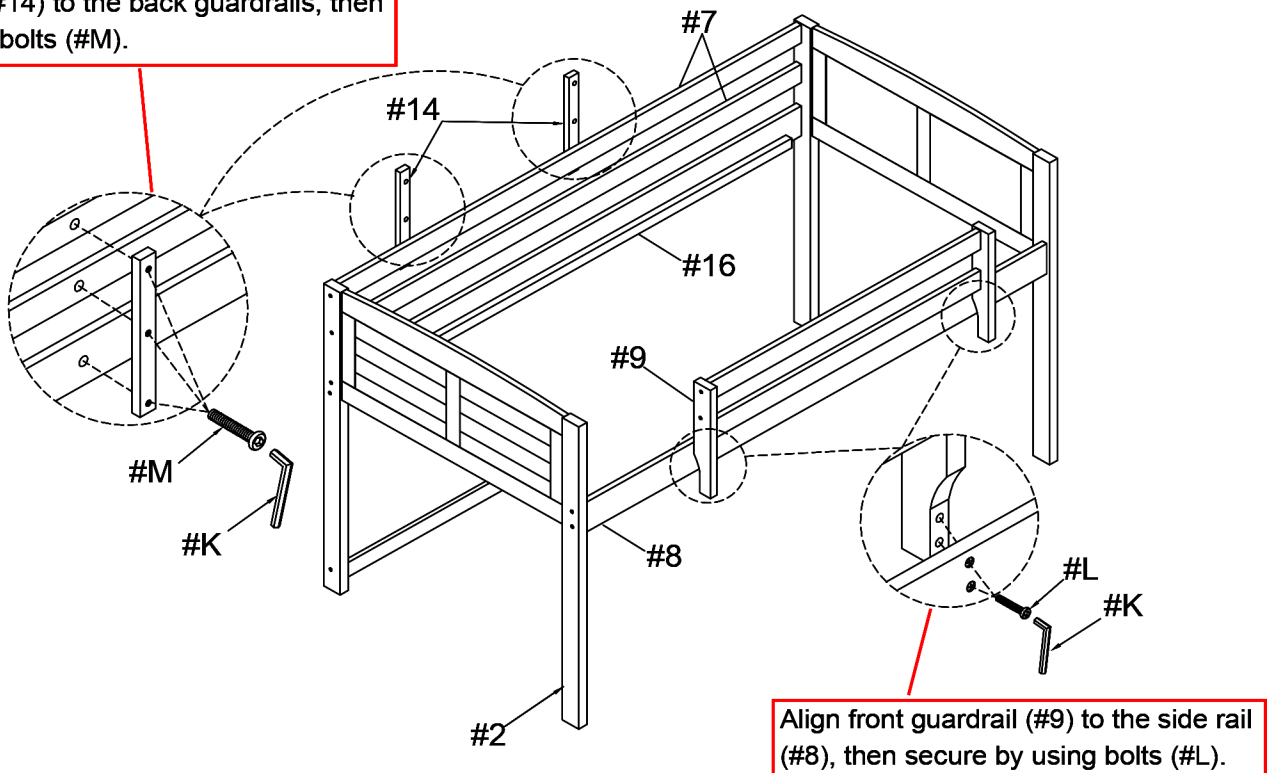
- Part #6 x2pcs
- Part #9 x2pcs
- Hardware #B x4pcs
- Hardware #K x1pc



8

- Part #14 x2pcs
- Hardware #L x4pcs
- Hardware #M x6pcs

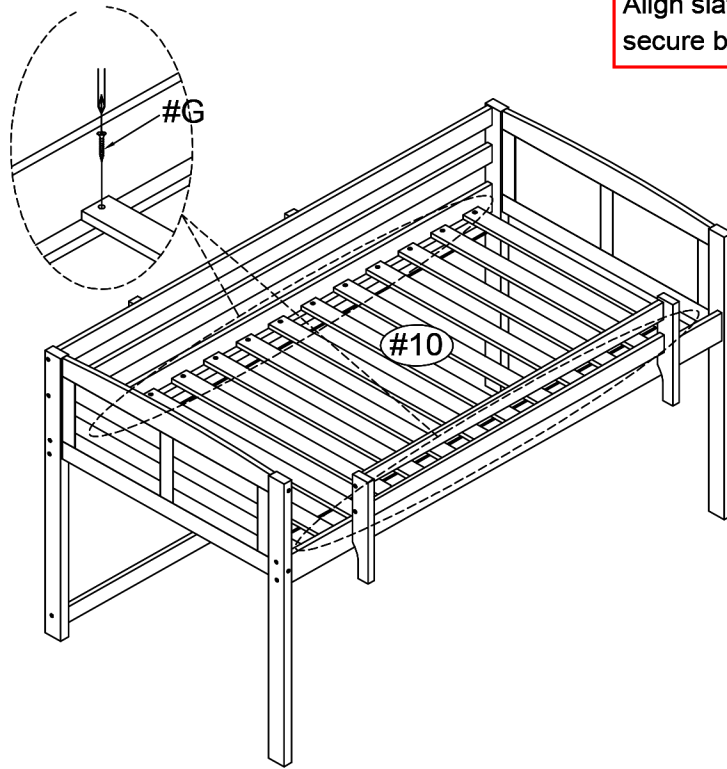
Align supports (#14) to the back guardrails, then secure by using bolts (#M).



ASSEMBLY INSTRUCTIONS

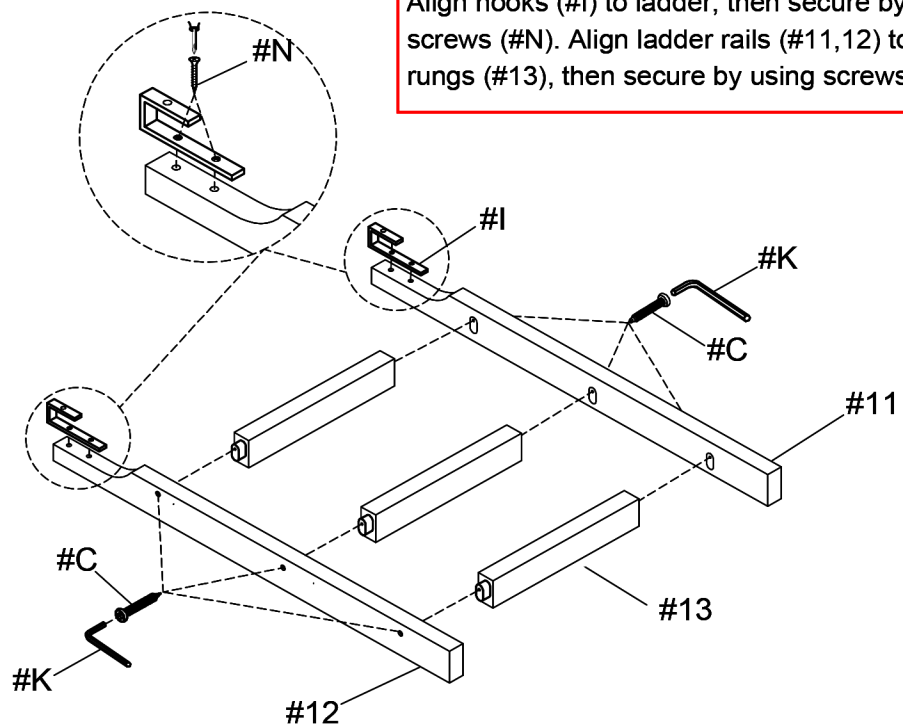
9

Part #10 x1set
Hardware #G x26pcs



10

Part #11 x1pc
Part #12 x1pc
Part #13 x3pcs
Hardware #C x6pcs
Hardware #I x2pcs
Hardware #N x4pcs



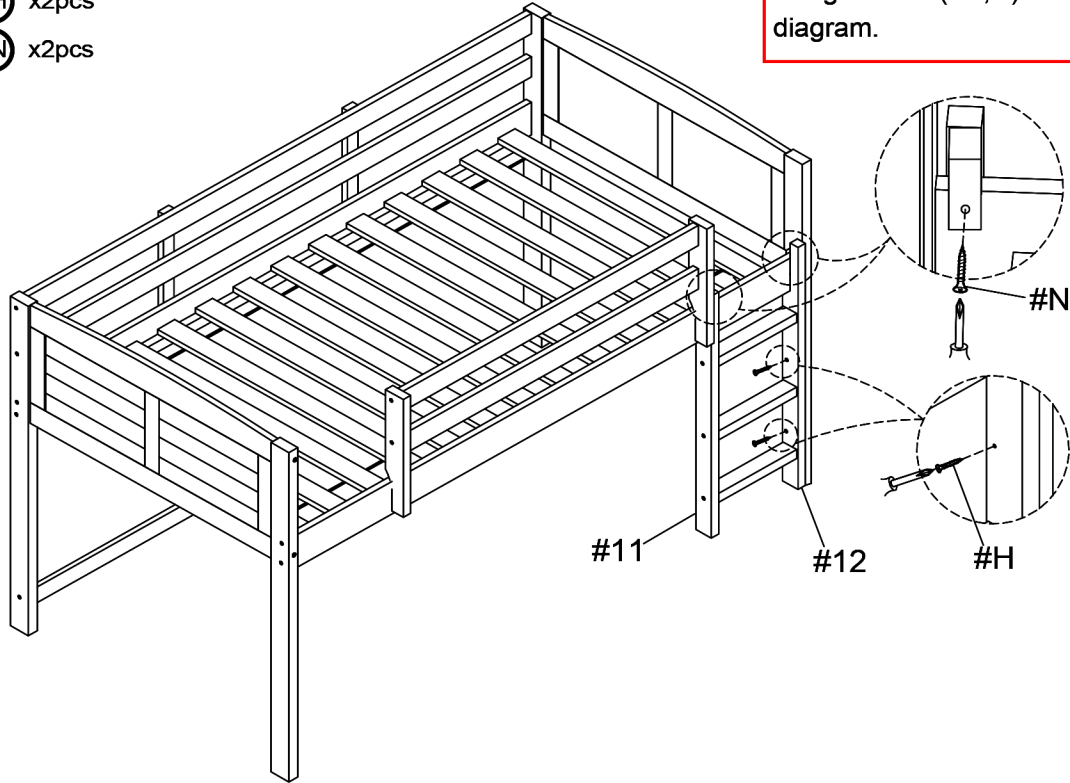
ASSEMBLY INSTRUCTIONS

11

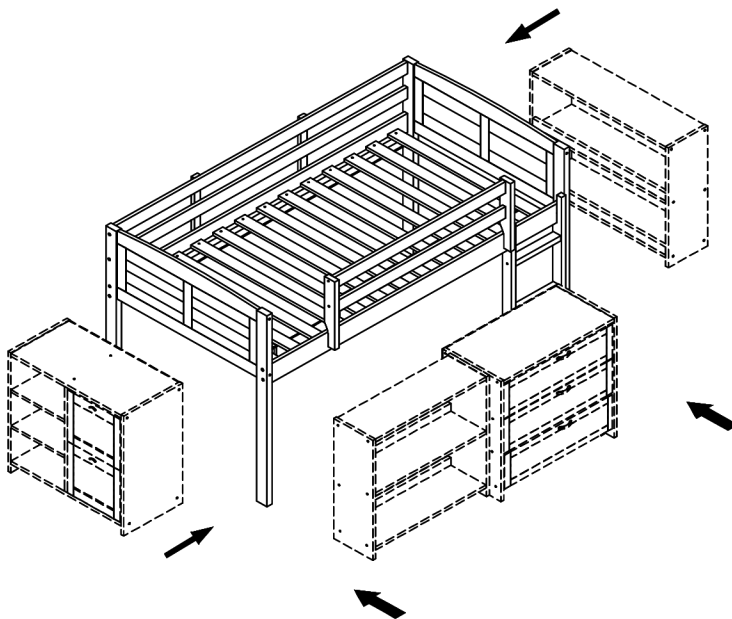
Hardware **#H** x2pcs

Hardware **#N** x2pcs

Align ladder to the bed, then secure by using screws (**#N,H**) as shown in the diagram.



12



ASSEMBLY COMPLETED



Please ensure the furniture rests on an even and flat surface. If the product wobbles or feels loose, double-check all bolts and/or screws are properly tightened and secured.



Keep this handy!

Please retain this instruction manual and any order-related information for future reference.



Lift, don't drag!

To avoid damage to product please always LIFT the product when transporting or adjusting the placement.

SAFETY WARNING

To help prevent serious or fatal injuries from entrapment or falls

- . Follow the information on the warnings appearing on the upper bunk bed structure and on the carton. Do not remove warning label from the bed.
- . Always use the recommended type and size mattress or mattress support, or both, to help prevent the likelihood of entrapment or falls.
- . Periodically check and ensure that the guardrail, ladder, and other components are in their proper position, free from damage, and that all connectors are tight.
- . Never allow a child under 6 years of age to use the upper bunk.
- . Use only mattress which is 74"-75" long and 38-1/2" wide on upper bunk.
- . Ensure thickness of mattress for upper bunk does not exceed 6" . Thickness of mattress for lower bunk is from 6" .
- . Surface of mattress must be at least 5 in. (127mm) below the upper edge of guardrails.
- . Prohibit horseplay on or under bed (s)
- . Prohibit more than one person on upper bunk.
- . Prohibit humping on the bed.
- . Always use the ladder for entering and leaving the upper bunk.
- . Do not use substitute parts. Contact the dealer for replacement parts.
- . Use of a night light may provide added safety precaution for a child using the upper bunk.
- . Always use guardrails on both long sides of the upper bunk. If the bunk bed will be placed next to the wall. The guardrail that runs the full length of the bed should be placed against the wall to prevent entrapment between the bed and wall.
- . The use of water or sleep flotation mattresses is prohibited.
- . Do not exceed 175 lbs on upper bunk.
- . Weight limitation: 175lbs.

STRANGULATION HAZARD – Never attach or hang items to any part of the bunk bed that are not designed for use with the bed for example, but not limited to hooks, belts and jump ropes

Keep these instructions for future reference