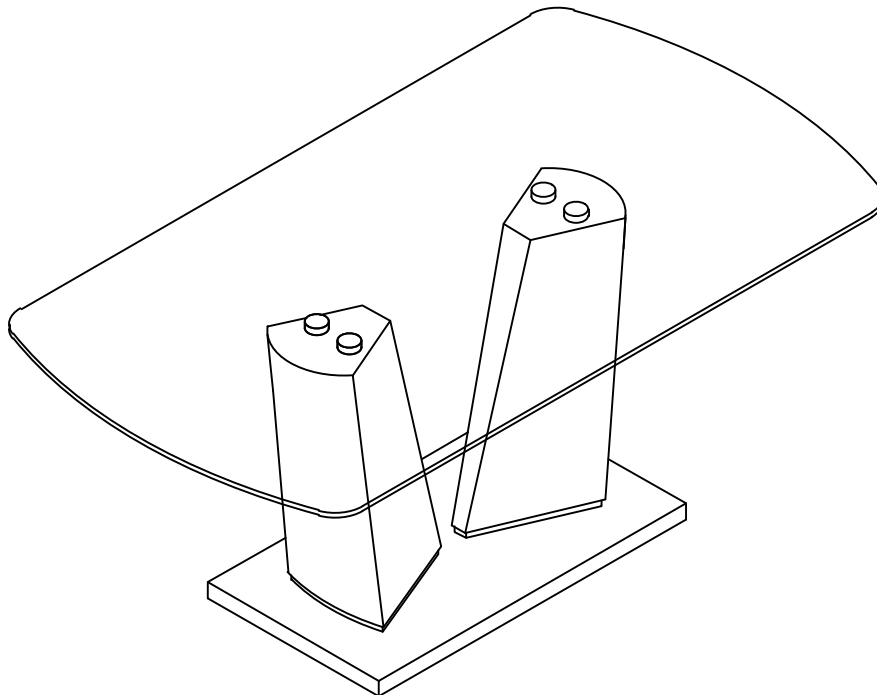


ASSEMBLY INSTRUCTIONS

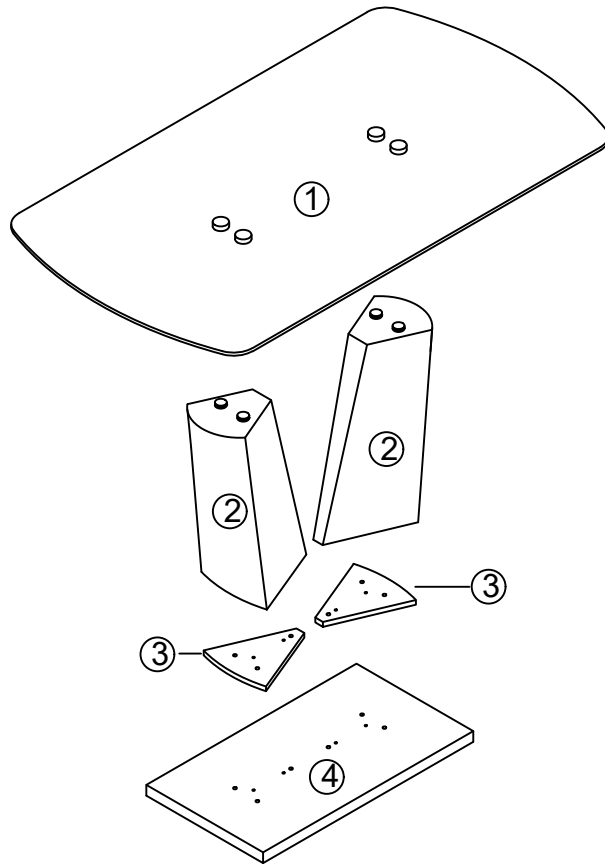
DINING TABLE



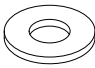


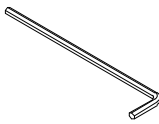
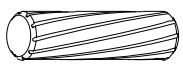
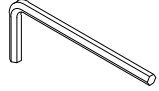
WF312277
WF312278
WF312279

IMPORTANT NOTE:

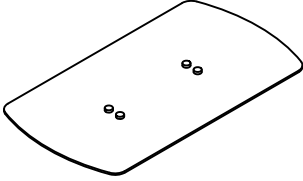
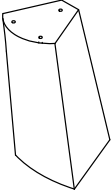

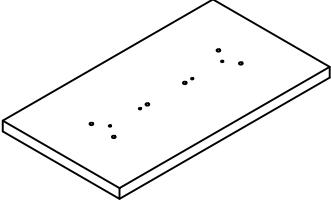
1. Place all parts on a clean and smooth surface such as a rug or carpet to avoid the parts from being scratched.
2. Before you begin, kindly follow the assembly instructions step by step.
3. Do not tighten all screws and bolts until the table is fully set-up.
4. Please do not return to store, contact the seller if you have any troubles with this product.



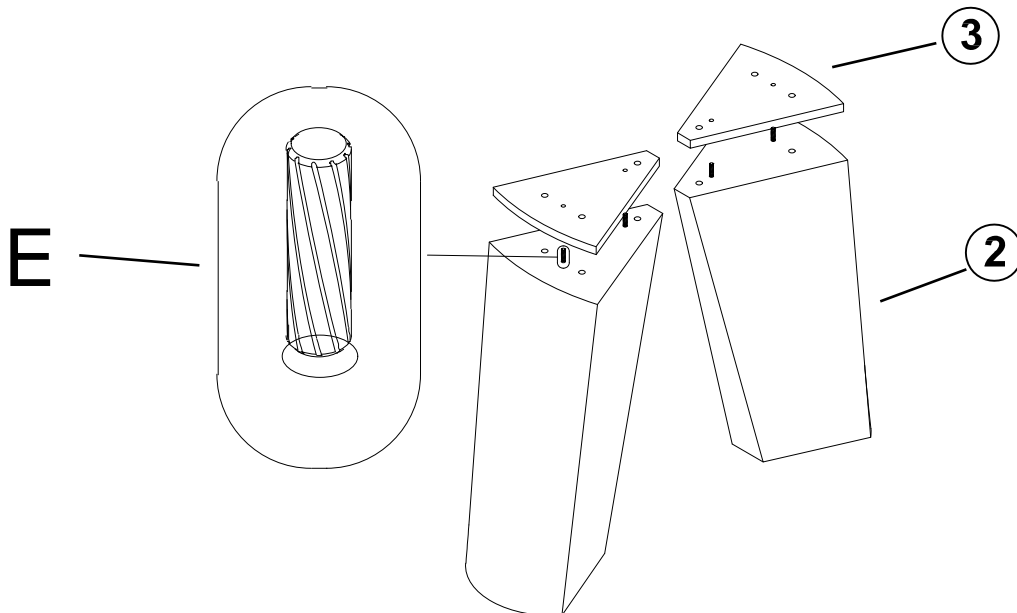
Hardware List For One Table

<p>A</p>  <p>ø22mm</p>	<p>B</p> 
<p>WASHER (6 PCS)</p>	<p>BOLT (6 PCS)</p>
<p>C</p> 	<p>D</p> 
<p>SMALL BOLT (4 PCS)</p>	<p>ALLEN KEY (1 PCS)</p>
<p>E</p> 	<p>F</p> 
<p>WOODEN BOLT (4 PCS)</p>	<p>ALLEN KEY (1 PCS)</p>

Part List For One Table

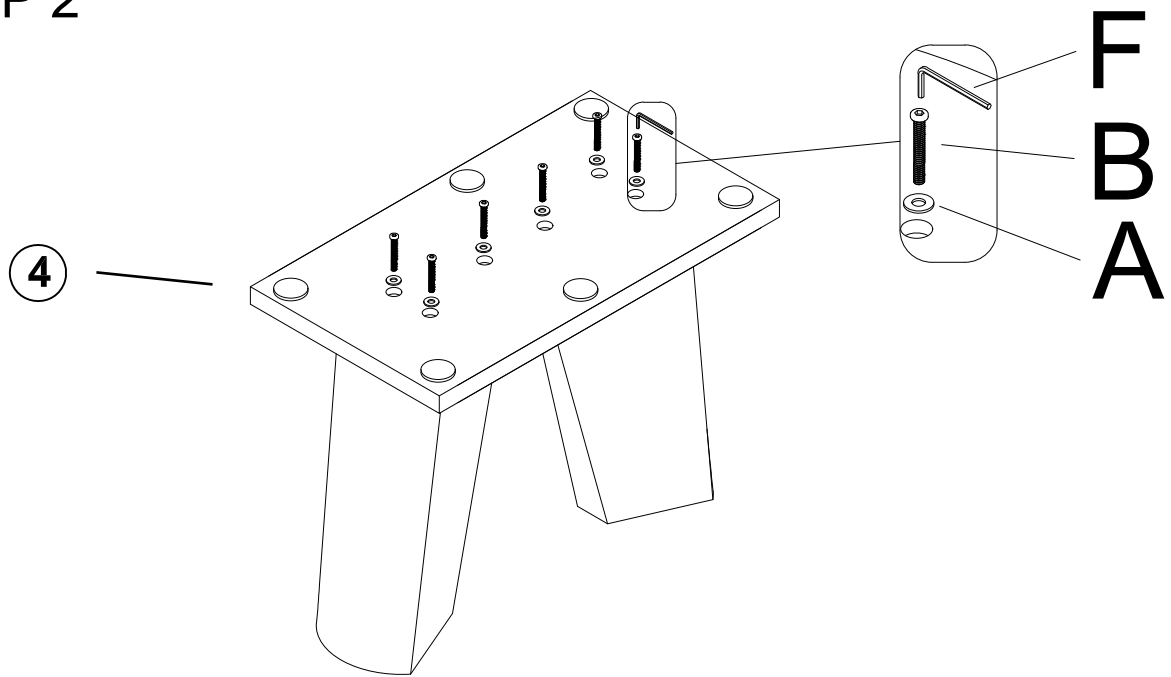
<p>①</p> 	<p>②</p> 
<p>TABLE TOP X 1</p>	<p>LEG X 2</p>
<p>③</p> 	<p>④</p> 
<p>LEG CONNECTION PAD X 2</p>	<p>BASE X 1</p>



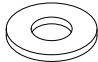
STEP 1



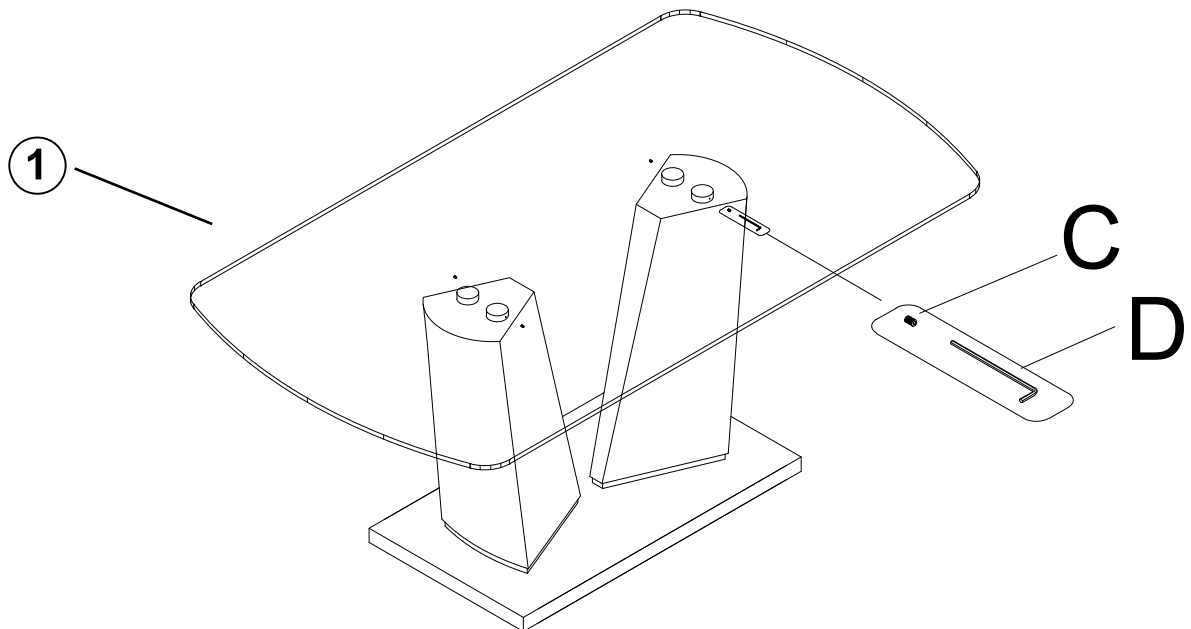
<p>E</p>		<p>4 PCS</p>			
----------	---	--------------	--	--	--

STEP 2



F		1 PCS	B		6 PCS
A		6 PCS			

STEP 3



C		4 PCS	D		1 PCS
---	---	-------	---	---	-------