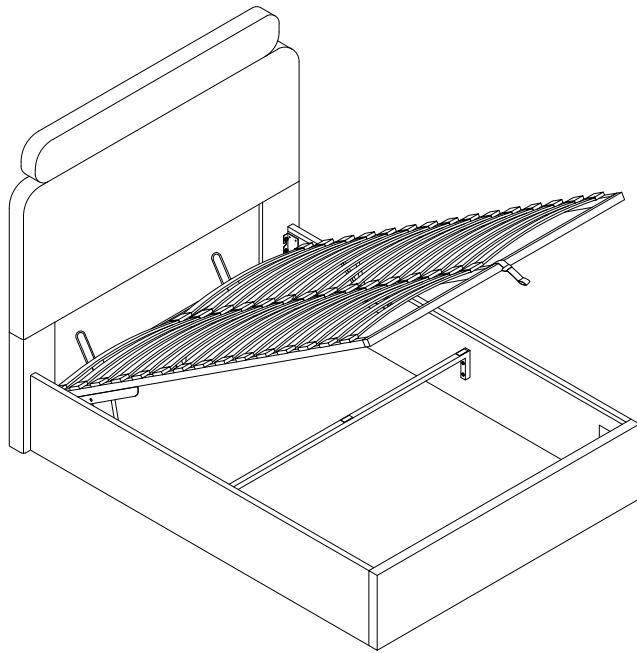


ASSEMBLY INSTRUCTION



Please **TEAR OFF** this shrink film from side!
DO NOT USE CUTTER!

IMPORTANT NOTE

% The product is shipped in two packages. Please check the number of packages received before assembly. If you are missing one package, receive a duplicate package, or have any assembly or after-sales issues, please contact 'i g'

& For the protection of your furniture, place all parts on a clean and smooth surface to prevent any damage.

' " Keep fittings out of children's reach and keep children well away from construction area.

(" When moving your assembled bed. it is best to lift the bed and never to drag it.

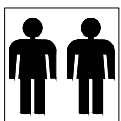
) " Do not use this product if parts are missing, damaged or worn.

*** " This product should only be used on firm, level ground.**

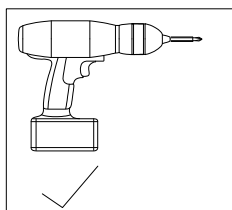
+ " Please periodically check all fittings and re-tighten as necessary.

, " Do not use the bed unless all bolts and screws are firmly secured.

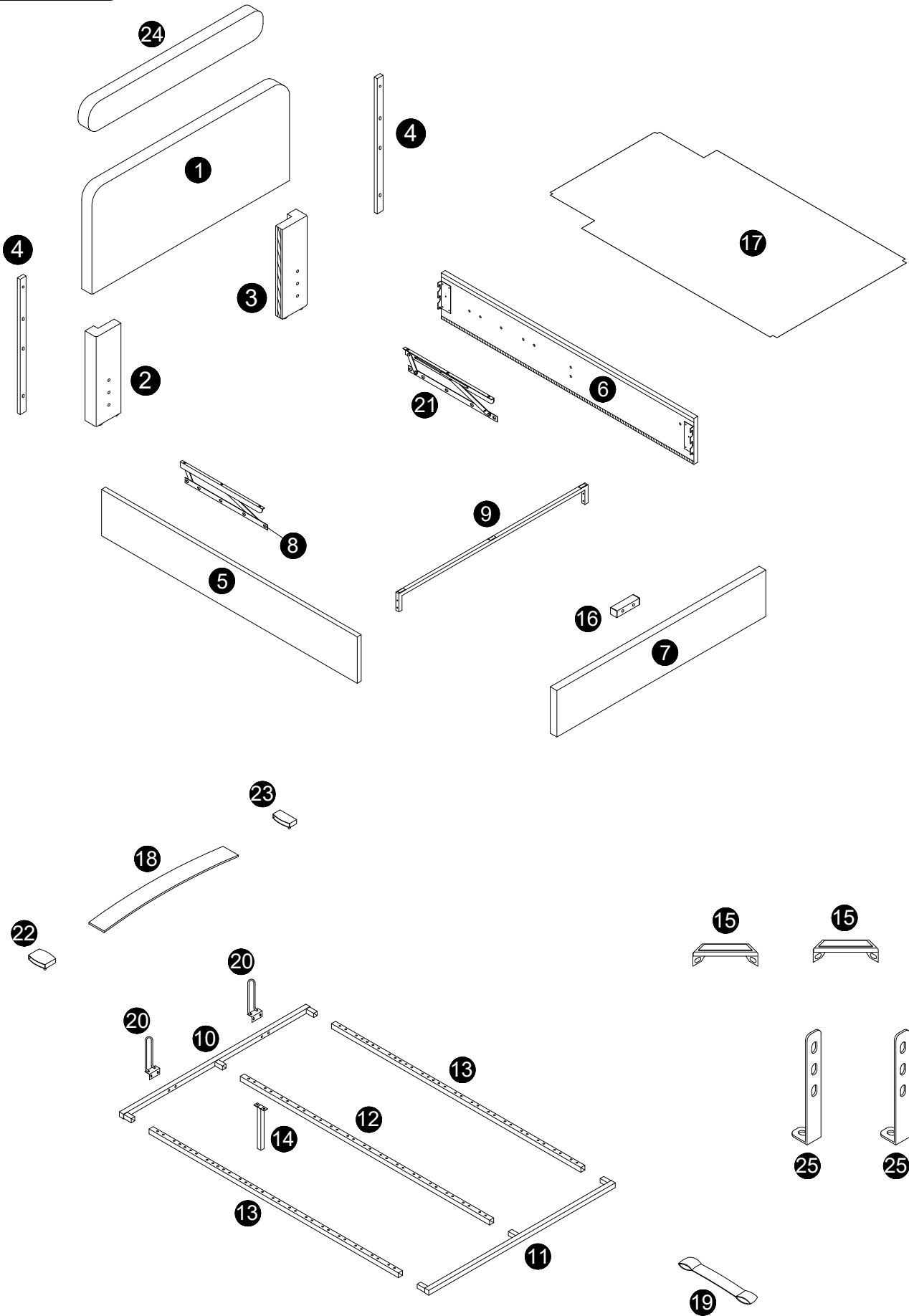
- " For further assistance, please provide a screenshot of your order and contact us via email



Minimum two
person assembly

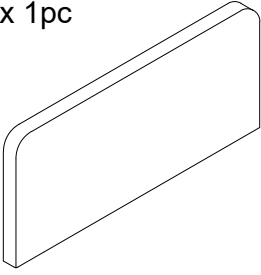


PART LIST



Components of Carton A

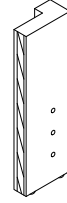
1 x 1pc



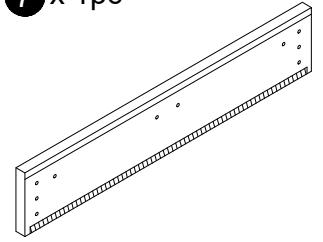
2 x 1pc



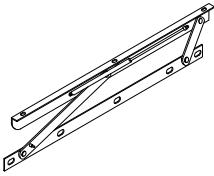
3 x 1pc



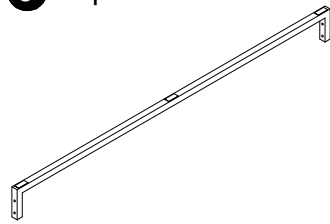
7 x 1pc



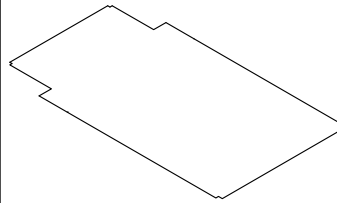
8 x 1pc



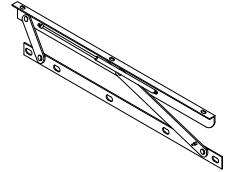
9 x 1pc



17 x 1pc

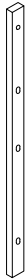


21 x 1pc

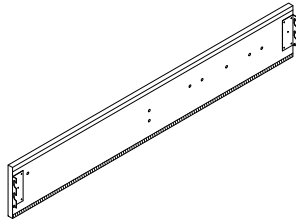


Components of Carton B

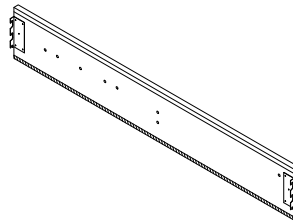
4 x 2pcs (20x40x805mm)



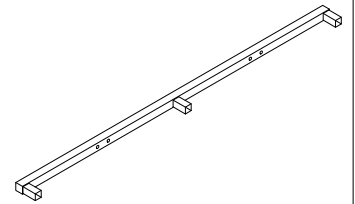
5 x 1pc



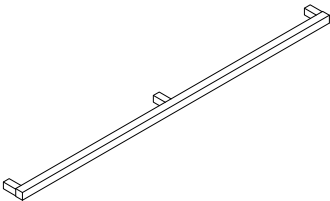
6 x 1pc



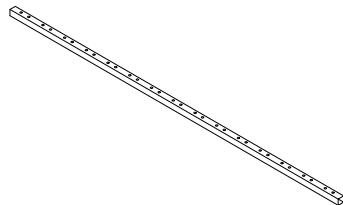
10 x 1pc



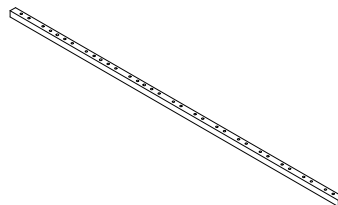
11 x 1pc



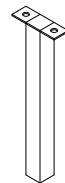
12 x 1pc



13 x 2pcs



14 x 1pc (25x190mm)



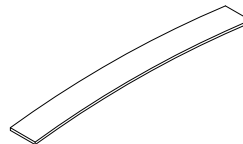
15 x 2pcs



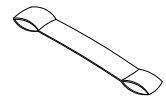
16 x 1pc



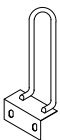
18 Full Size x 28pcs
Queen Size x 30pcs



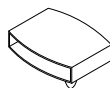
19 x 1pc



20 x 2pcs



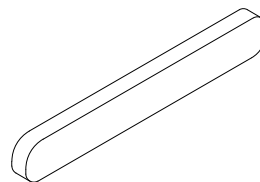
22 Full Size x 14pcs
Queen Size x 15pcs



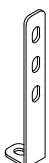
23 Full Size x 28pcs
Queen Size x 30pcs



24 x 1pc



25 x 2pcs



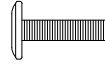
HARDWARE LIST



H1 M5 x 1pc



H2 M8x25mm x 50pcs



H3 M8x40mm x 8pcs



H4 M8x50mm x 12pcs



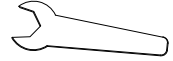
H5 M8 x 14pcs



H6 M8x22mm x 14pcs

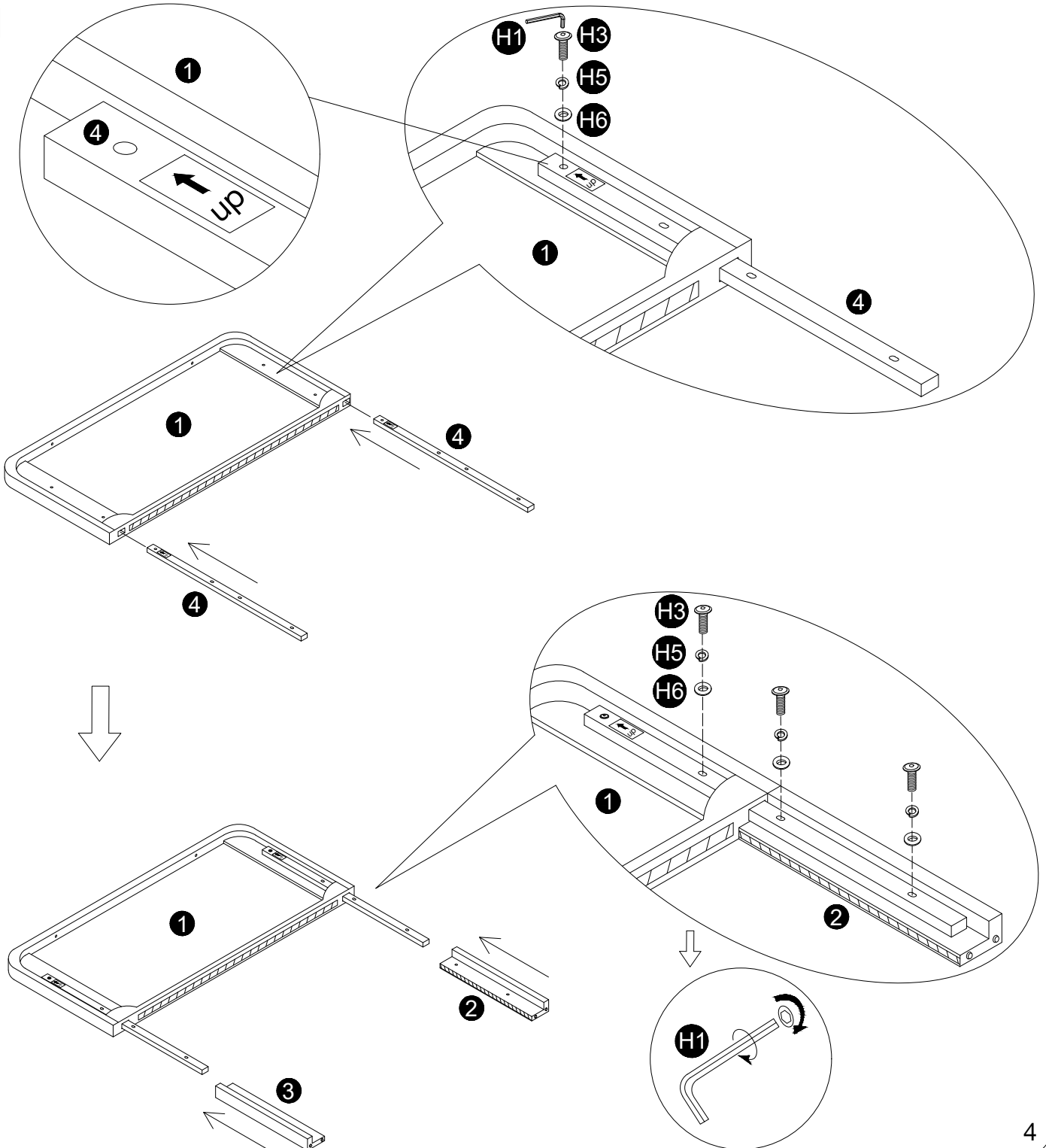


H7 M8 x 6pcs



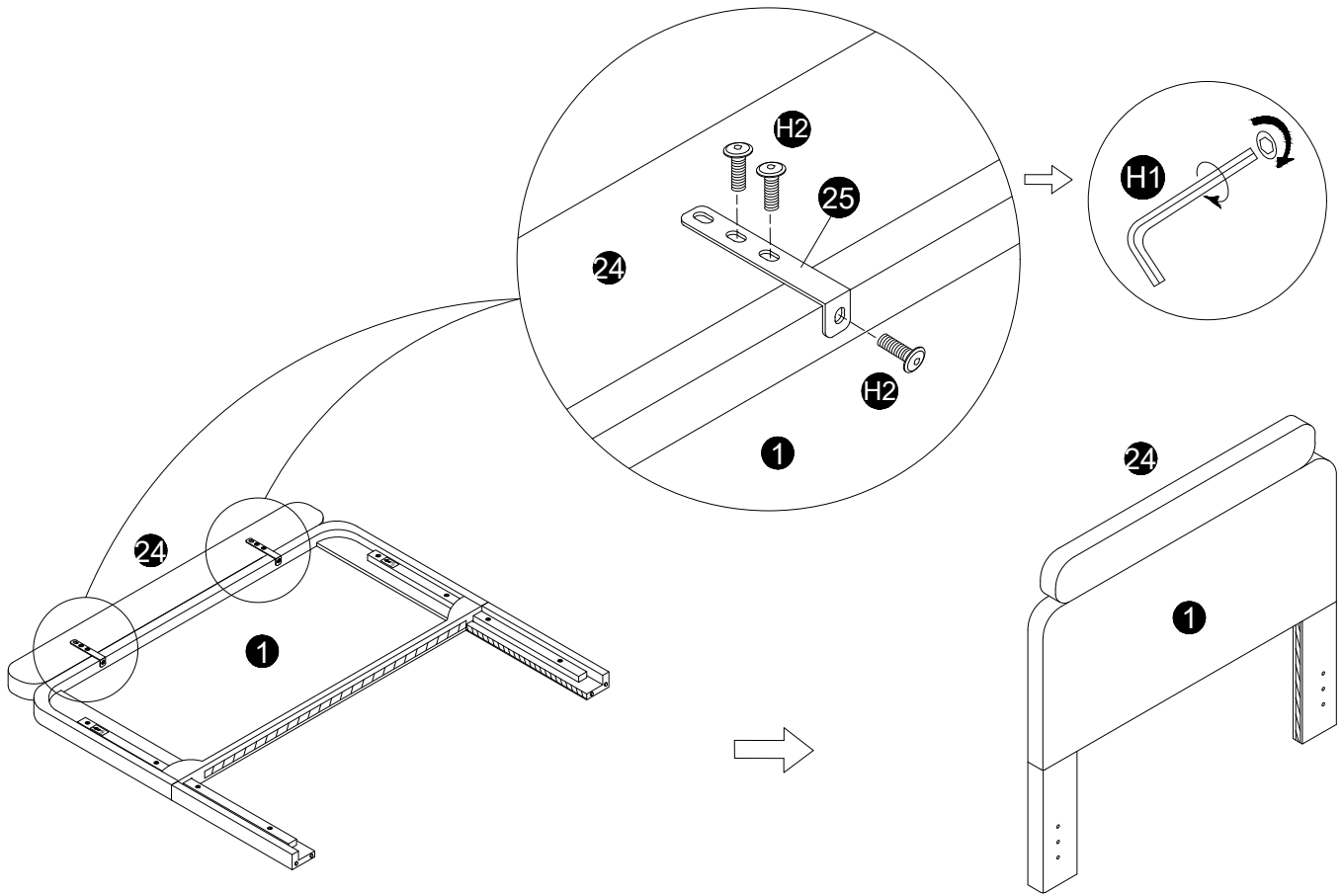
H8 M14 x 1pc

1

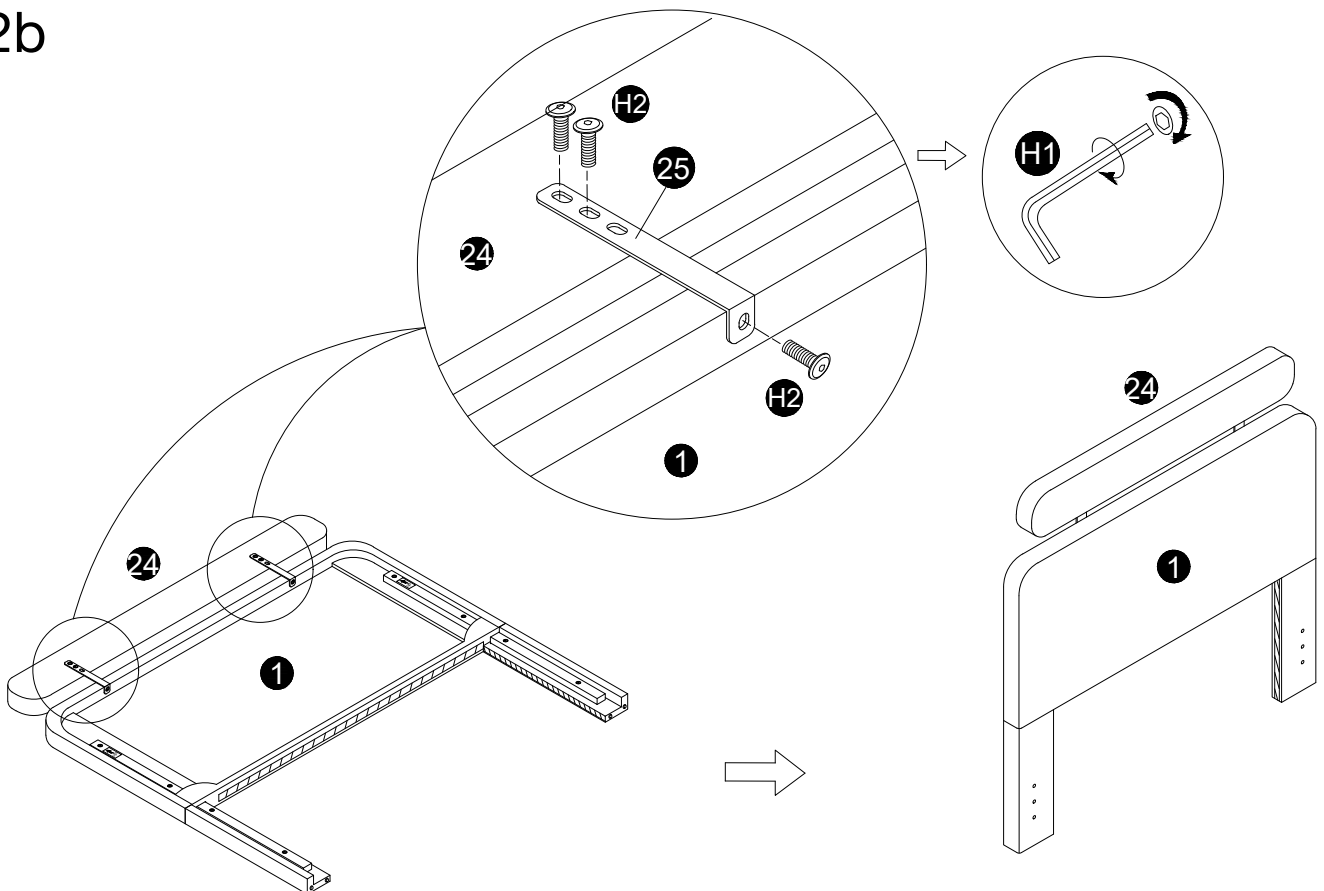


2a

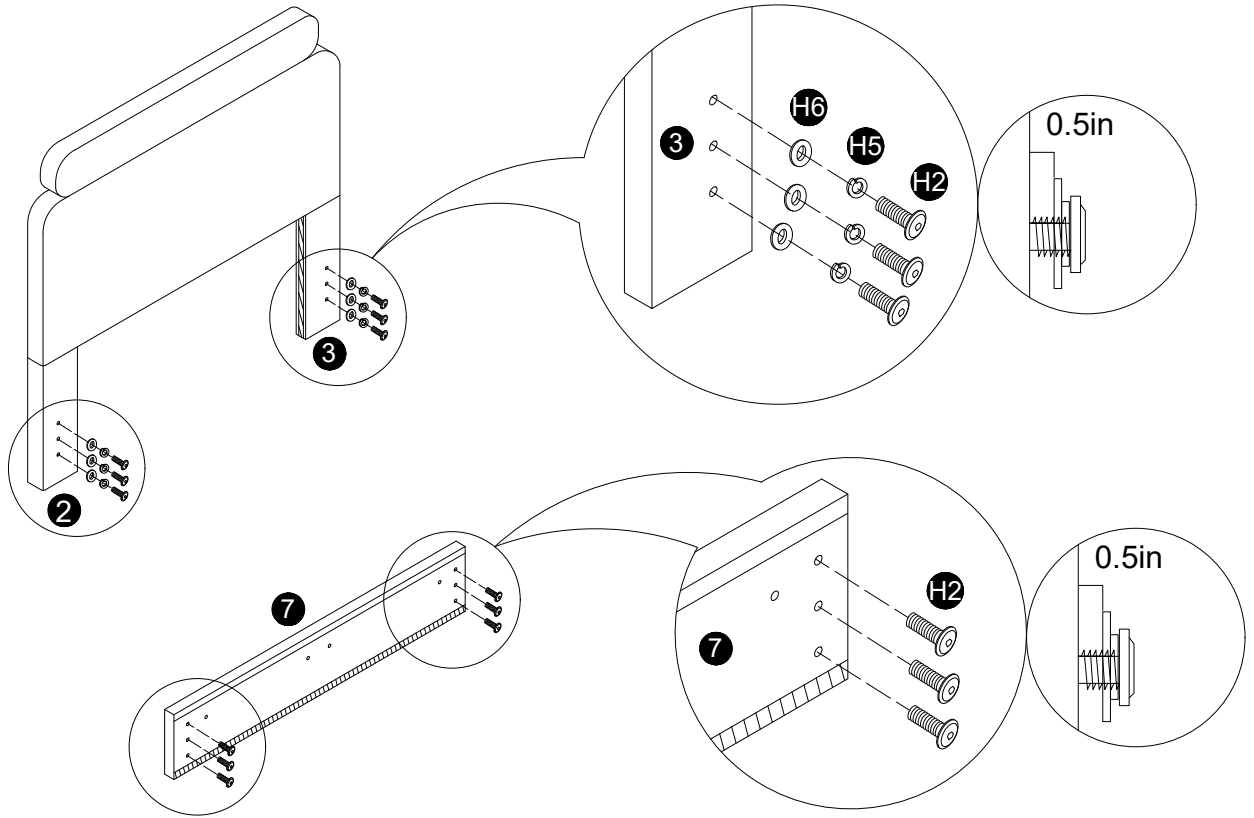
Please choose one installation between 2a and 2b; the headboard height will vary depending on your choice.



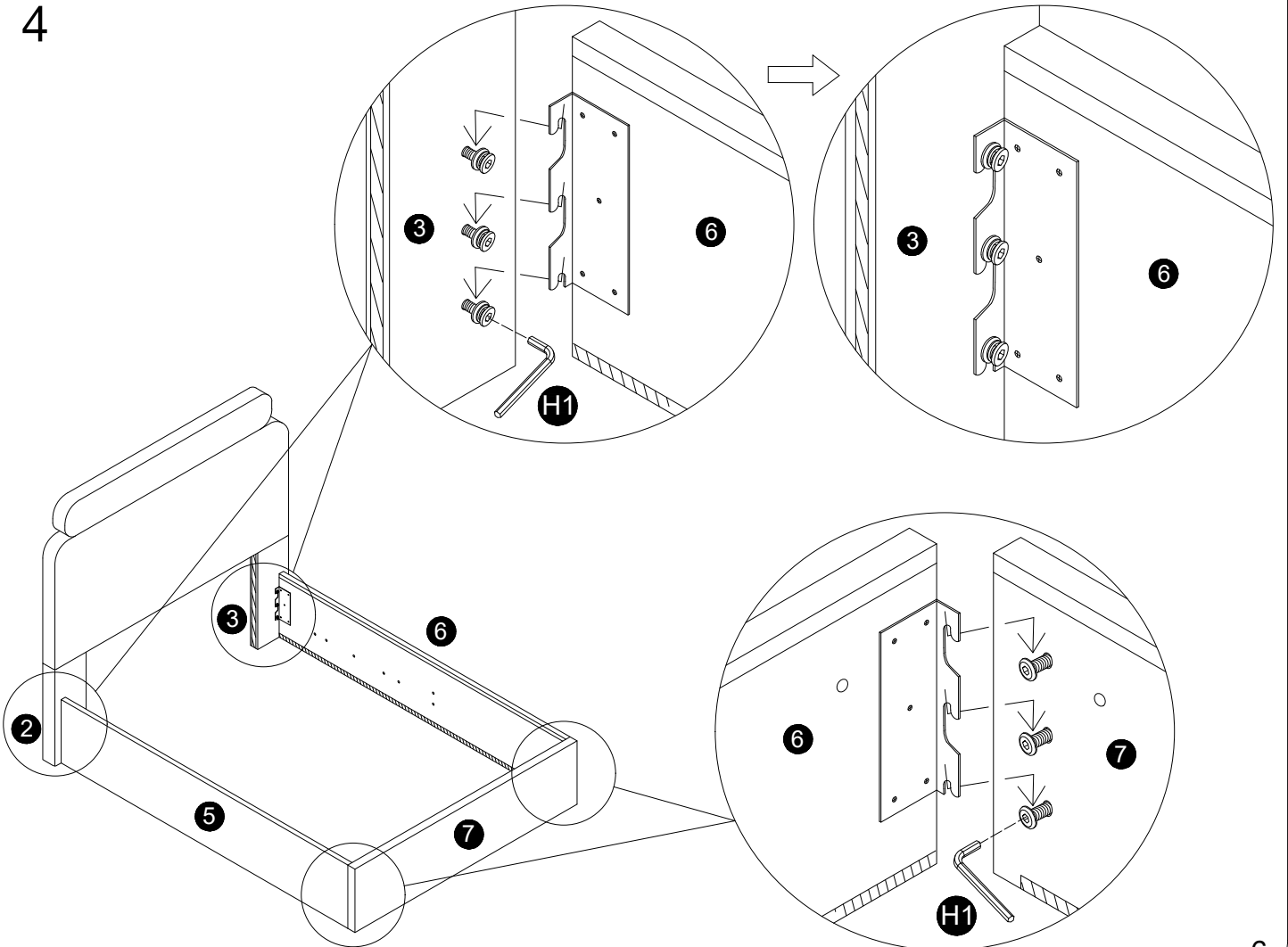
2b



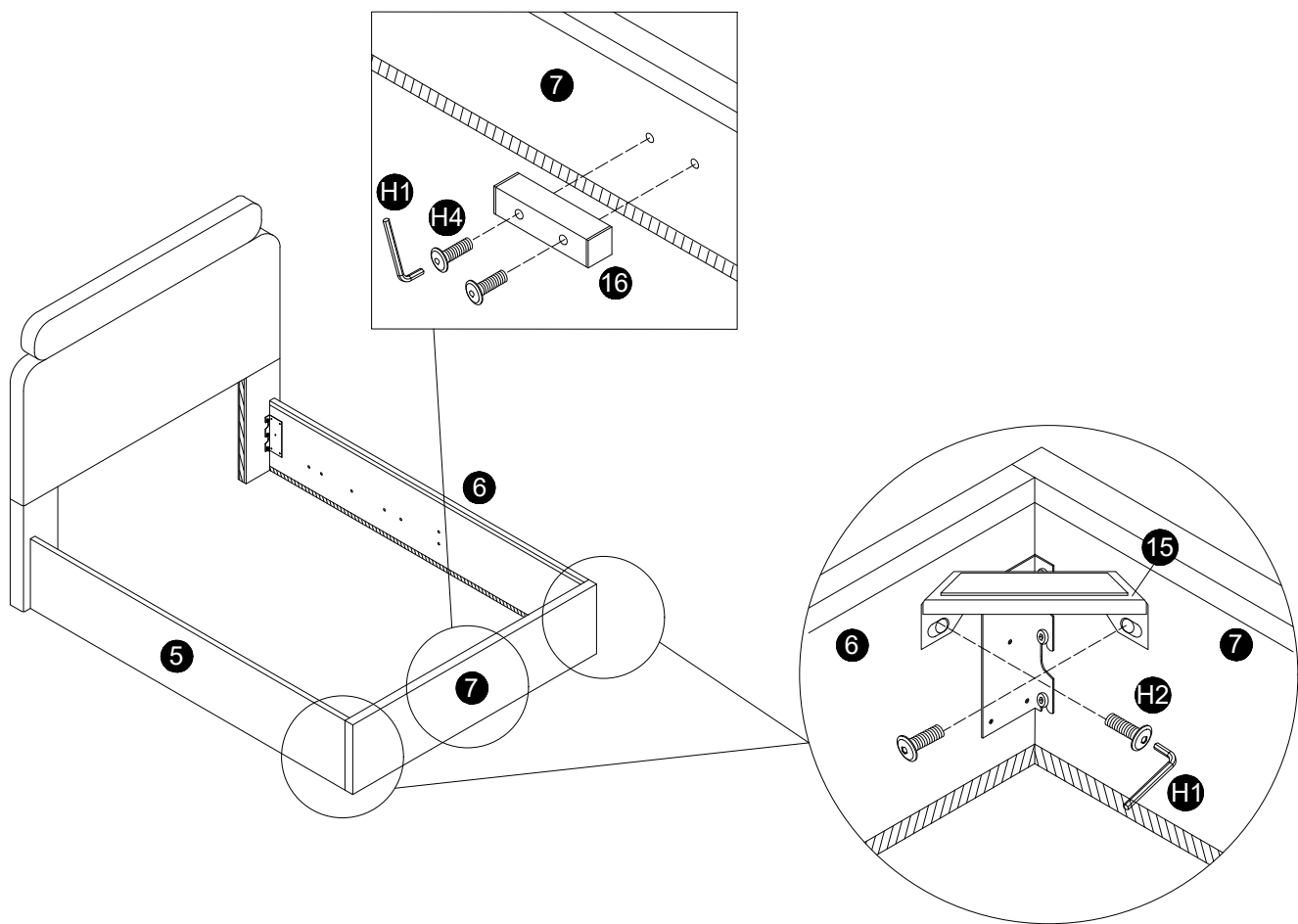
3



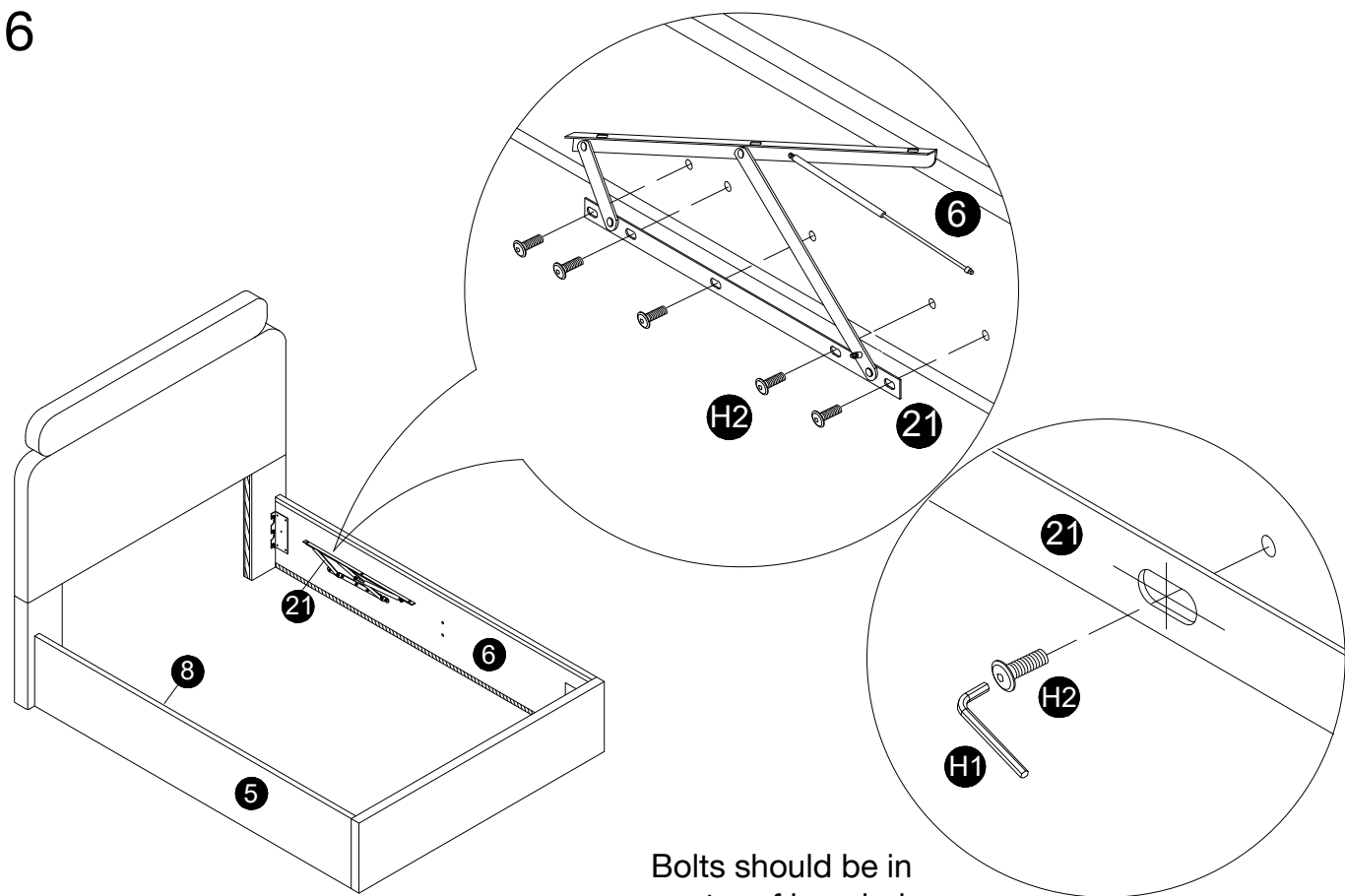
4



5

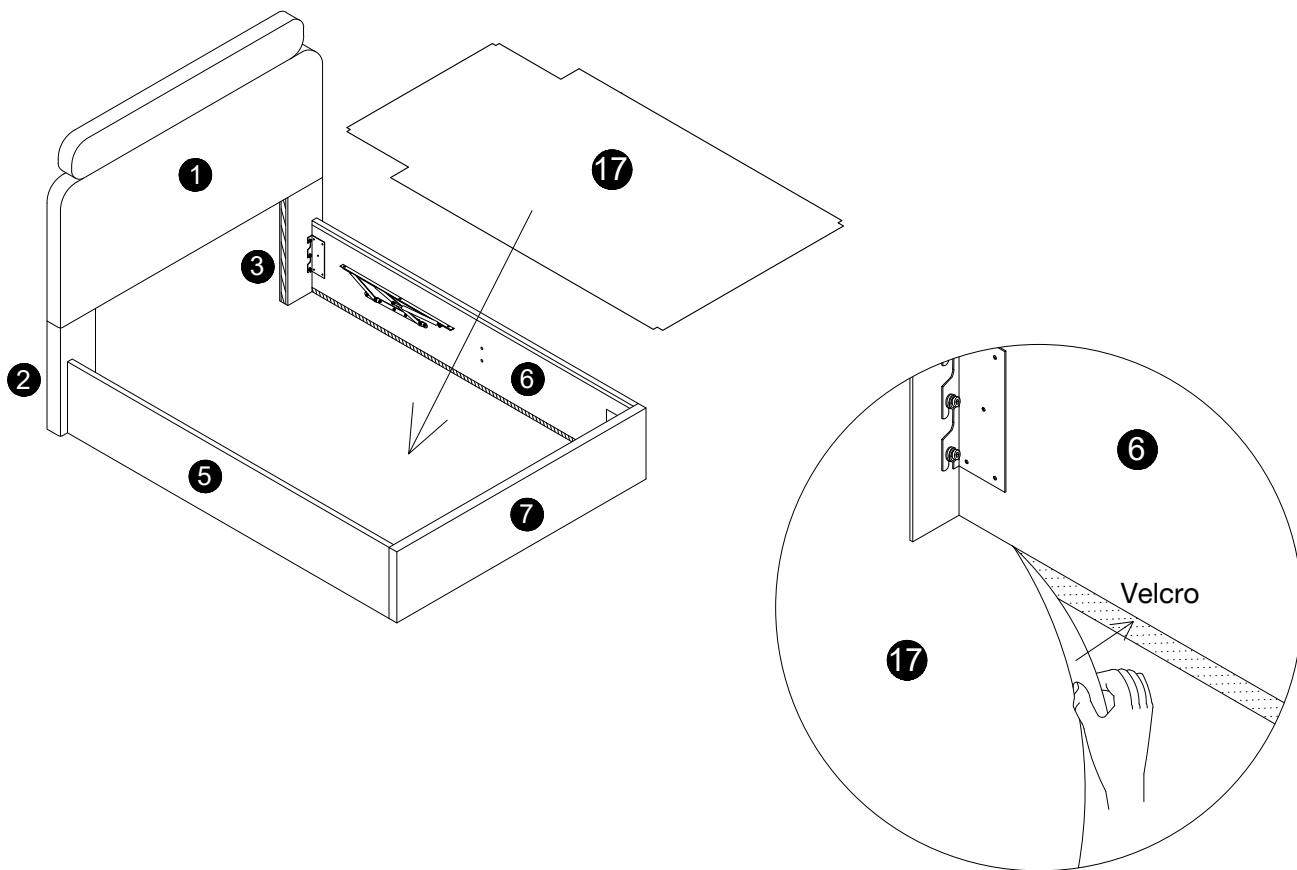


6

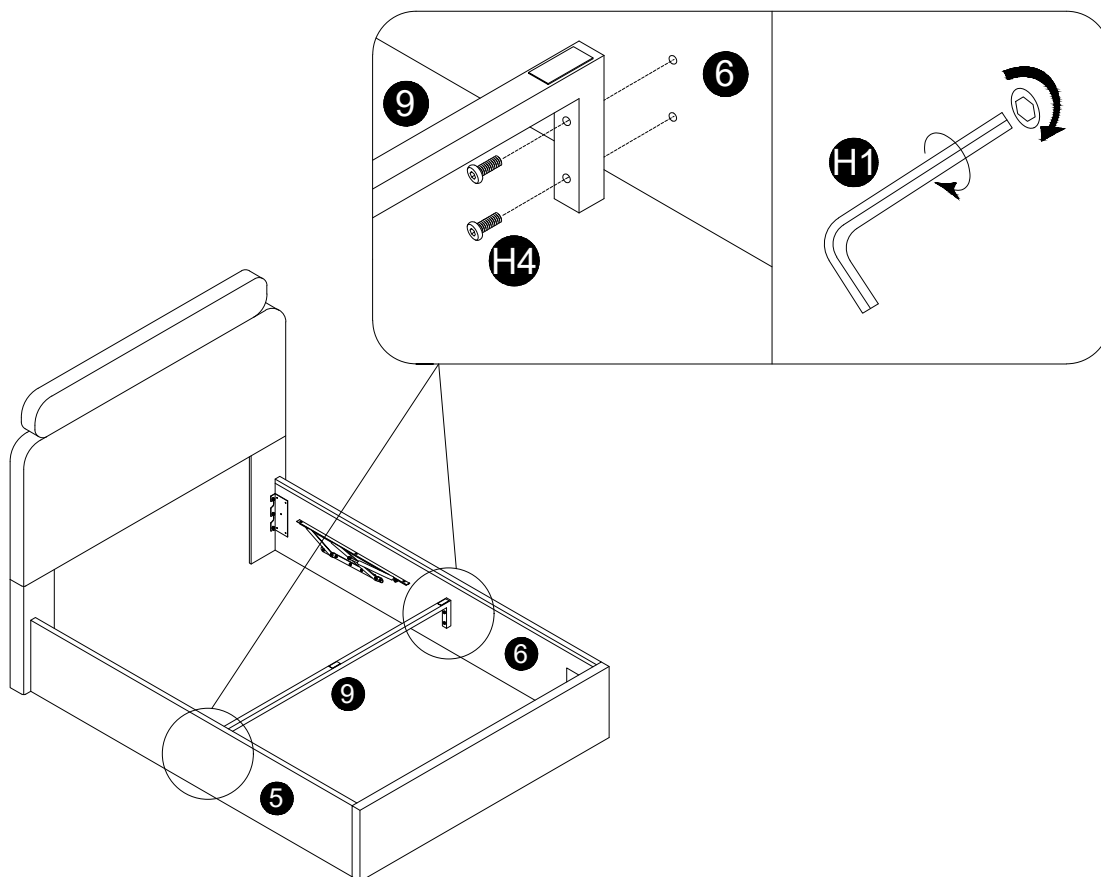


Bolts should be in centre of long holes

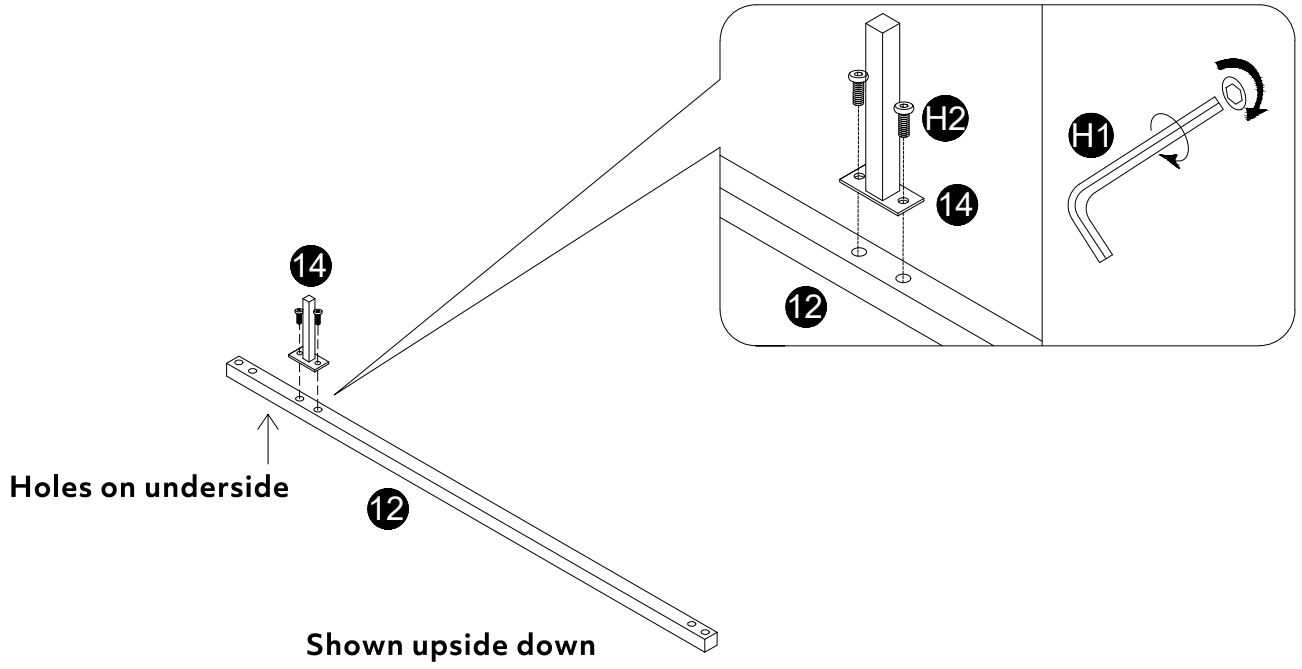
7



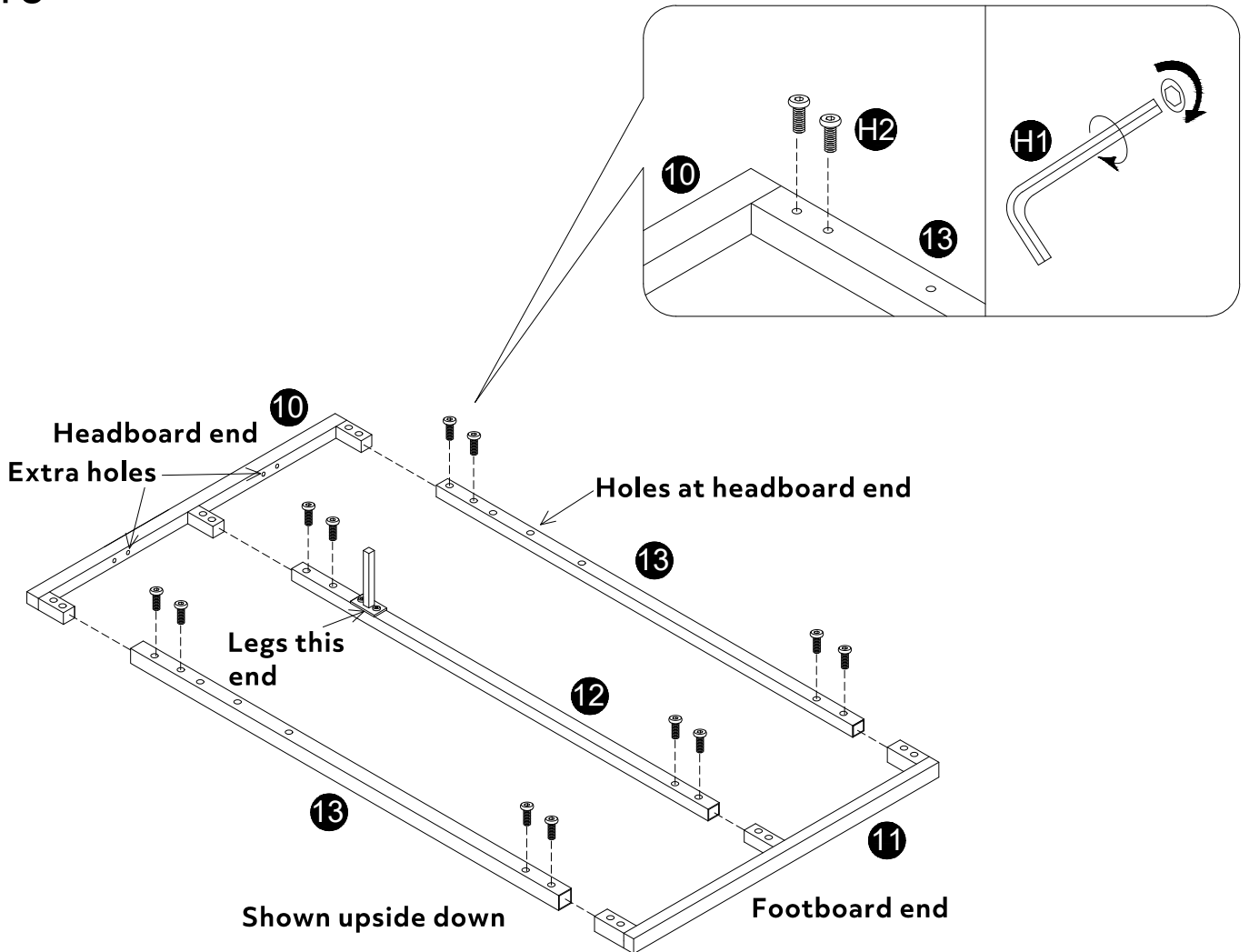
8



9

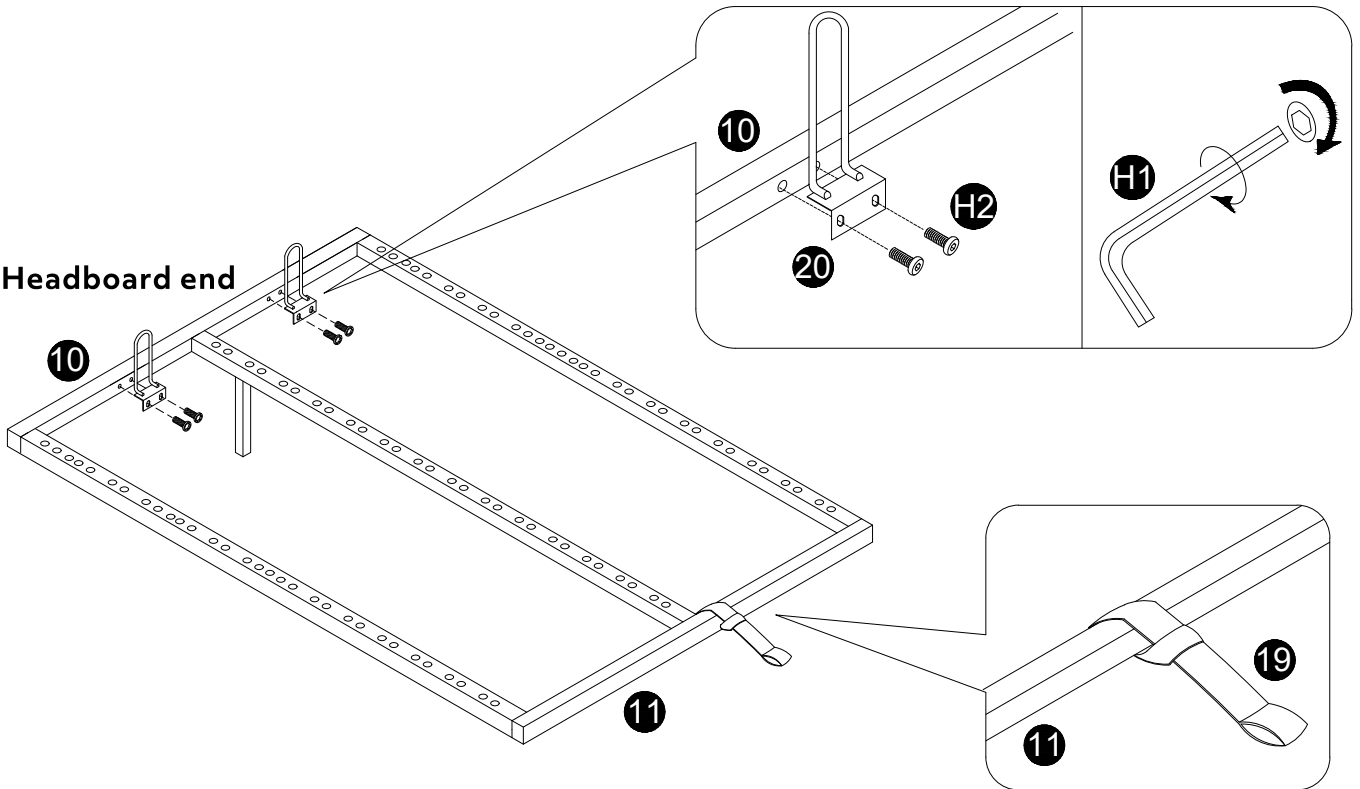


10



11

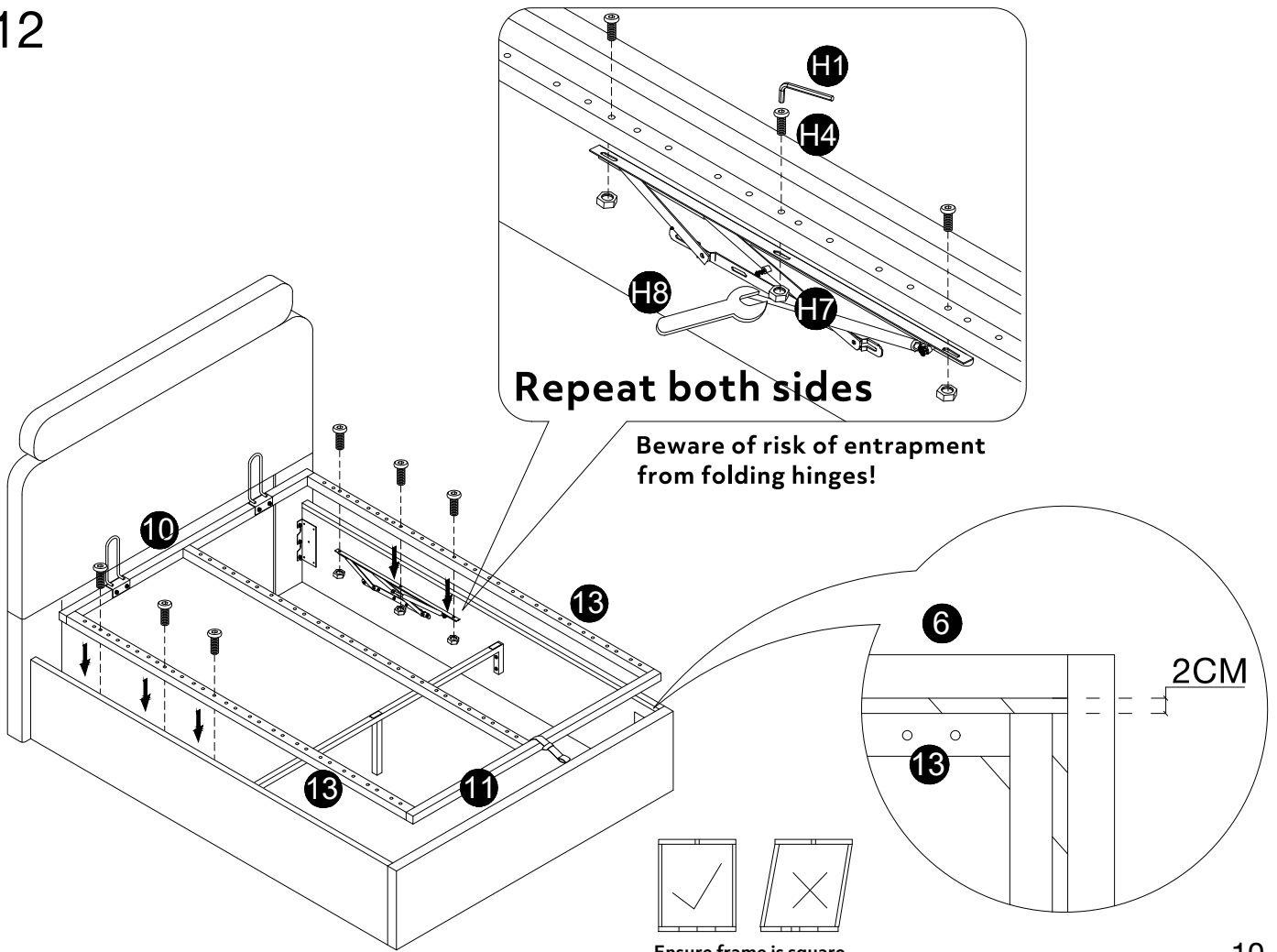
Headboard end



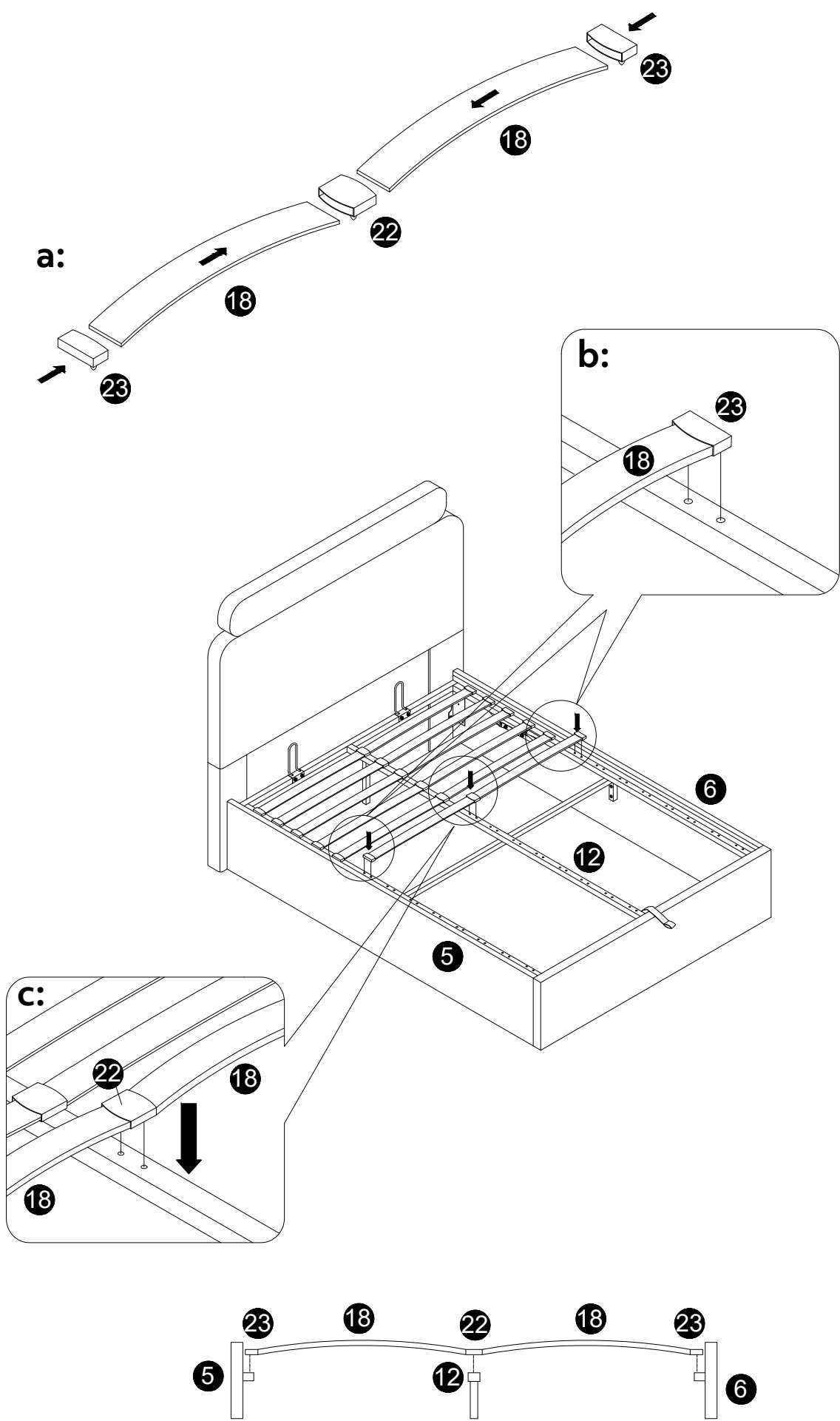
12

Repeat both sides

Beware of risk of entrapment from folding hinges!

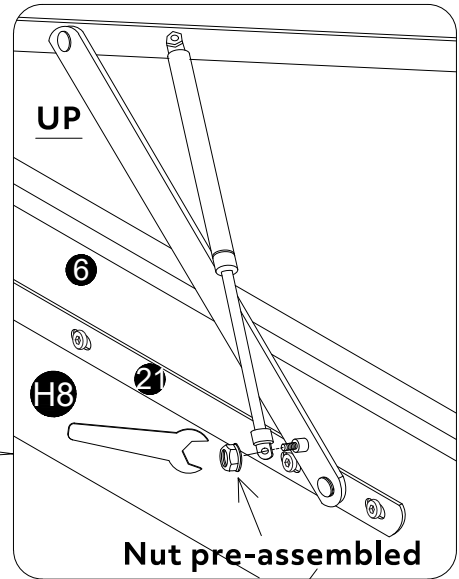
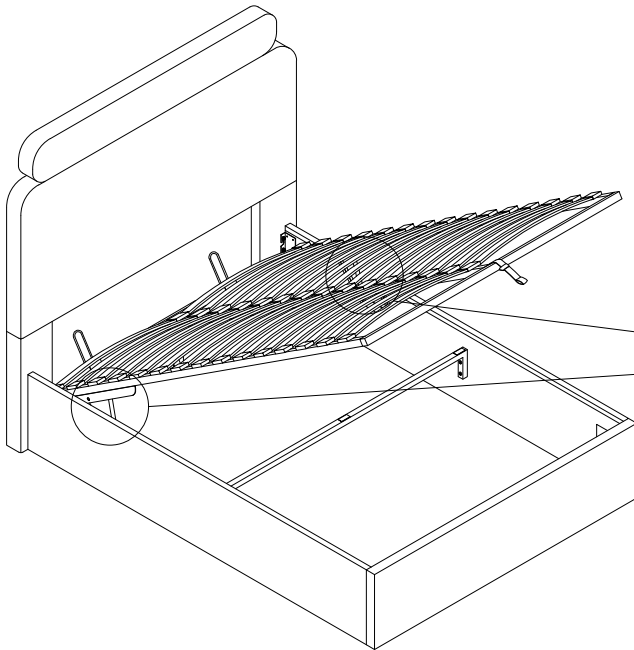


13



14

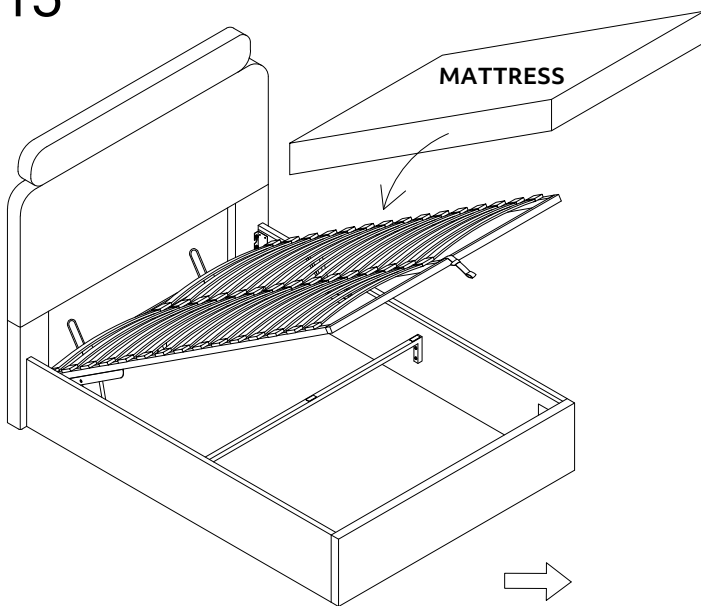
**Warning: Two people required.
Frame to be fully supported at all times!**



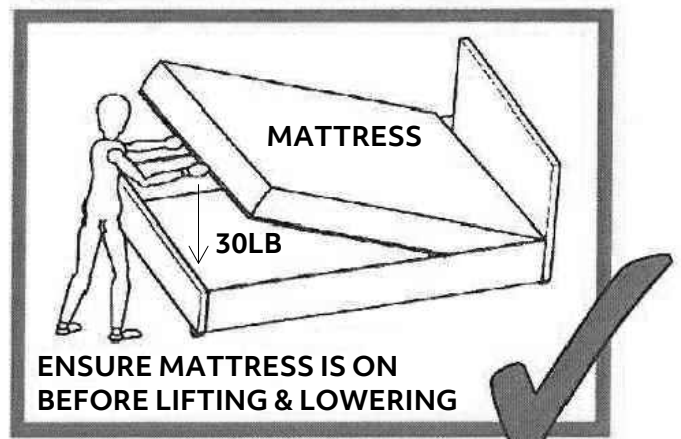
Repeat both sides

Important: Before proceeding, check and ensure all screws and fixings are fully tightened.

15



After placing the mattress on frame, push down the frame with 30lbs force.



Place the mattress on frame & Carefully lower the frame down.
Keep objects/body part & children away from moving parts.

Job Complete !

In the interest of our environment please dispose of all packaging thoughtfully.