

9-Light Glass Bubble Sputnik Semi Flush Ceiling Light

Caution: Please turn off power before installation and read the manual carefully, we advise you contact professional electricians to install for safety purpose.

Product Features

Style: Modern/Contemporary

Material: Metal, Glass

Color: Gold/Black

Base Type: G9

Light Source Included: No

Voltage: 110VAC

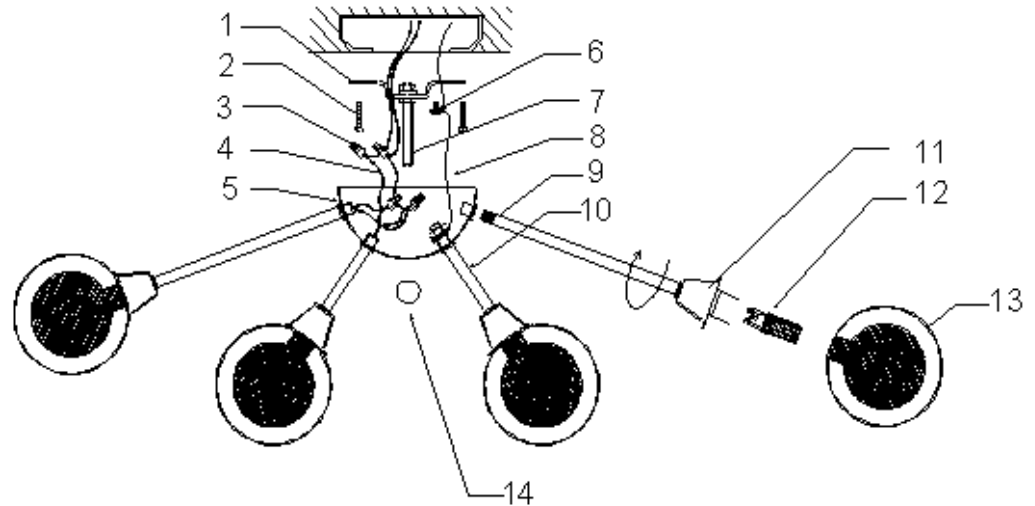
Wattage: 5W (per bulb)

Package includes

1 x Ceiling Light

1 x Accessories Kit

1 x User's Manual



Installation Instructions

A: Tighten the lamp arms (9 and 10) onto the lamp body (5).

B: Fasten the hanging plate (1) onto the junction box with the junction box screws (2).

C: Connect the live wire of the main wire (4) to the live wire using the wiring block (3), and also connect the neutral wire of the main wire (4) to the neutral wire using the wiring block (3). Be careful not to expose the wire to prevent leakage. Fix the ground wire and the ground wire of the fixture (8) on the mounting plate (1) through the green screw (6).

D: Pass the threaded bolt (7) through the lamp body (5) and then tighten the cap nut (14).

E: Install the light bulb (12) (not included) on the lamp holder (11).

F: Secure the lampshade (13) onto the lamp holder (11).

Note: please use this product accordingly to its intended purpose, do not retrofit or remodeling the product. The warranty does not cover if the failure is caused by the third party product, or natural disasters.

Made in China

