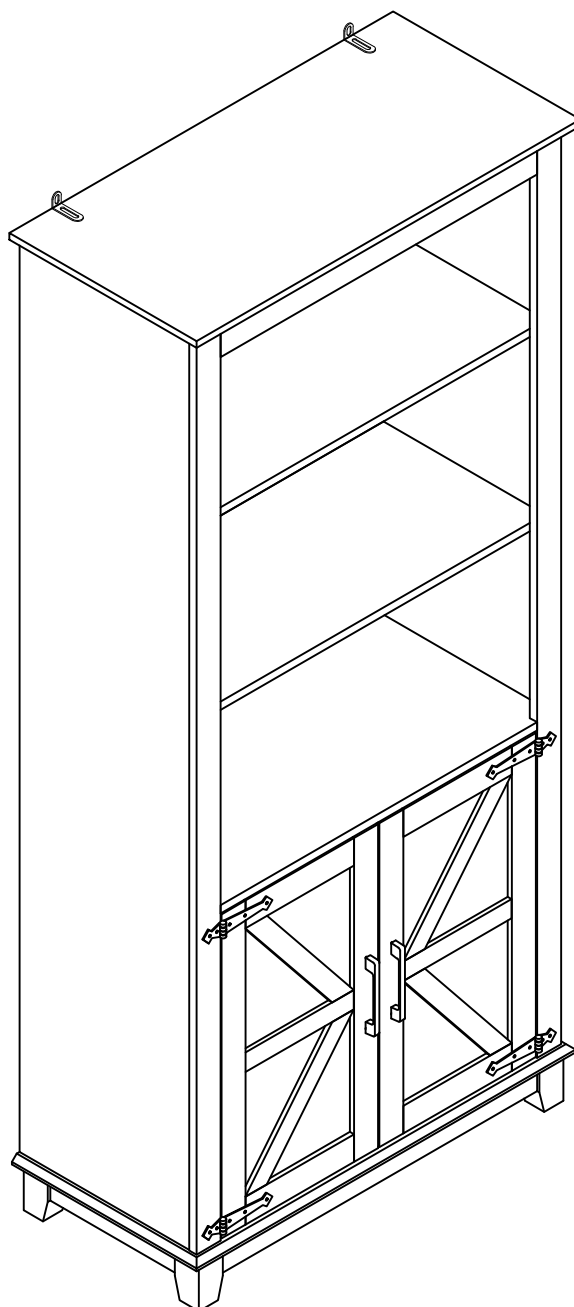


Bookcase

Assembly Instructions - Please keep for future reference



Dimensions

Width - 31.5inch
Depth - 15.3inch
Height - 69.8inch

Important – Please read these instructions fully before starting assembly



SaEety and Care Advice

Important – Please read these instructions fully before starting assembly

- Check you have all the components and tools listed on the Eollowing pages.
- Remove all Eittings Erom the plastic bags and separate them into their groups.
- Keep children and animals away Erom the work area, small parts could choke iE swallowed.
- Make sure you have enough space to layout the parts beEore starting.

- During assembly do not stand or put weight on the product, this could cause damage.
- Assemble the item as close to its Einal position (in the same room) as possible.
- Assemble on a soEt level surEace to avoid damaging the unit or your Eloor.
- Parts oE the assembly will be easier with 2 people.



power drill is set on a low torque setting.

- To reduce the likelihood oE damaging your product please ensure that your

Care and maintenance

- Only clean using a damp cloth and mild detergent, do no use bleach or abrasive cleaners.
- Erom time to time check that there are no loose screws on this unit.
- This product should not be discarded with household waste. Take to your local authority waste disposal centre.

Handy Hints

- Assemble all parts and bolts loosely during assembly, only once the product is complete should you fully tighten the bolts
- Regularly check and ensure That all bolts and Eittings are tightened properly.

WARNING In order to help prevent overturning – please Eollow these instructions

To help prevent product toppling over please Eollow the below steps:-

- Use the anti tip stap or wall Eixing method provided (iE applicable)
- Do not allow children to climb or hang on the Eurniture
- Do not open more than one drawer at a time
- Do not place heavy items in the top drawers
- Do not place heavy items on top oE the Eurniture, unless the Eurniture has been designed Eor this purpose

please note that only the anti tip strap is provided.

You will need to provide wall plugs and screws applicable Eor your wall type

Components - Panels

Please check you have all the panels listed below



1 (1646X50X17mm)X1



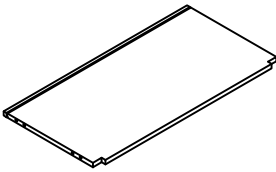
2 (1646X352X14mm)X1



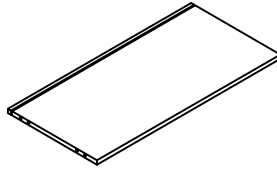
3 (1646X50X17mm)X1



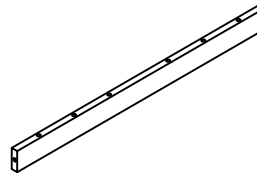
4 (1646x352X14mm)X1



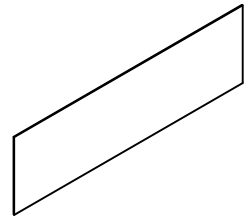
5 (730x369X14mm)X1



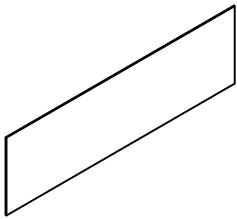
6 (730X352X14mm)X1



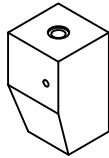
7 (660x50X17mm)X1



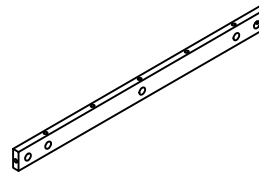
8 (738x299X2.5mm)X2



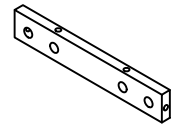
9 (738x347X2.5mm)X3



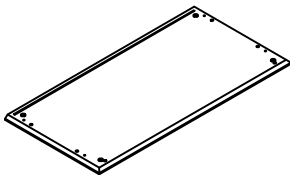
10 (85X50X50mm)X4



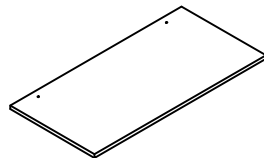
11 (660X45X14mm)X2



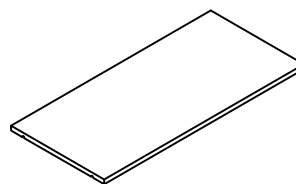
12 (265x45X14mm)X2



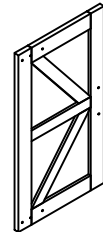
13 (790X385X14mm)X1



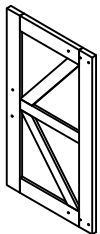
14 (800X390X24mm)X1



15 (726X334X15mm)X2



16 (585X326X17mm)X1

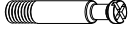

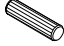


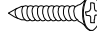


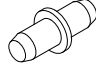

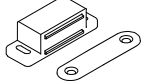


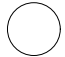




17 (585X326X17mm)X1

Components - Eittings

Please check you have all the panels listed below

Note: The quantitie below are the correctet amount to complete the assembly. In some cases more Eittings may be supplied than are required.

A  Male Camlock x 49	B  Eemale Camlock x49	C  Dowel (8x30) x 34
D  Door Hinge x 4	E  3.5*14mm Screw x 20	F  3*15mm Screw x 20
G  Plastic wedge x 16	H  6*30mm Screw x4	I  Shelf Support Pin x 8
J  Handle & Eixings x 2	K  Magnet Touch x 2	L  3*14mm Screw x 4
M  Wall Eixing Pack x 2	N  Ø21 Sticker x 22	O  726mm x 2
P  Protective Feet x 4		

 Phillips screwdriver
(medium & large)

Ruler - Use this ruler to help correctly identiEy the screws

0 5 10 15 20 25 30 35 40 45 50 55 60 65 70 75 80 85 90 95 100 105 110 115 120 125 130 135 140 145 150 155 160 165 170



The screws length is measured Erom the head to the point (30mm screw shown).

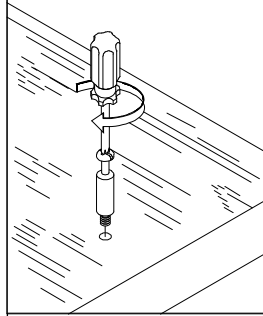
Using Camlocks

Step 1

Connect the male camlock as directed in the assembly instructions using a screwdriver.

1

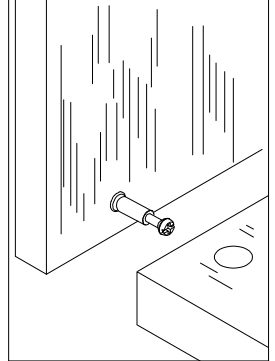
DO NOT OVER TIGHTEN.
NE PAS SERRER EXCESSIVEMENT.



Step 2

Push the male camlock into the entry hole.

2

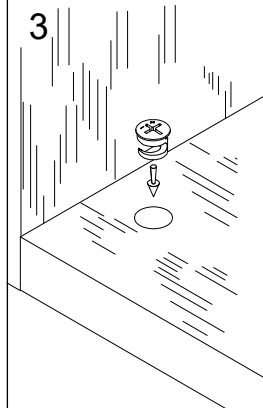


Step 3

Insert the Eemale camlock as shown in the instruction.

Note: ensure that the arrow on the top of the camlock points towards the entry hole for the male camlock.

3



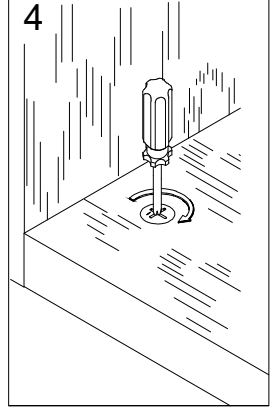
Step 4

Turn the Eemale camlock clockwise with a screwdriver.

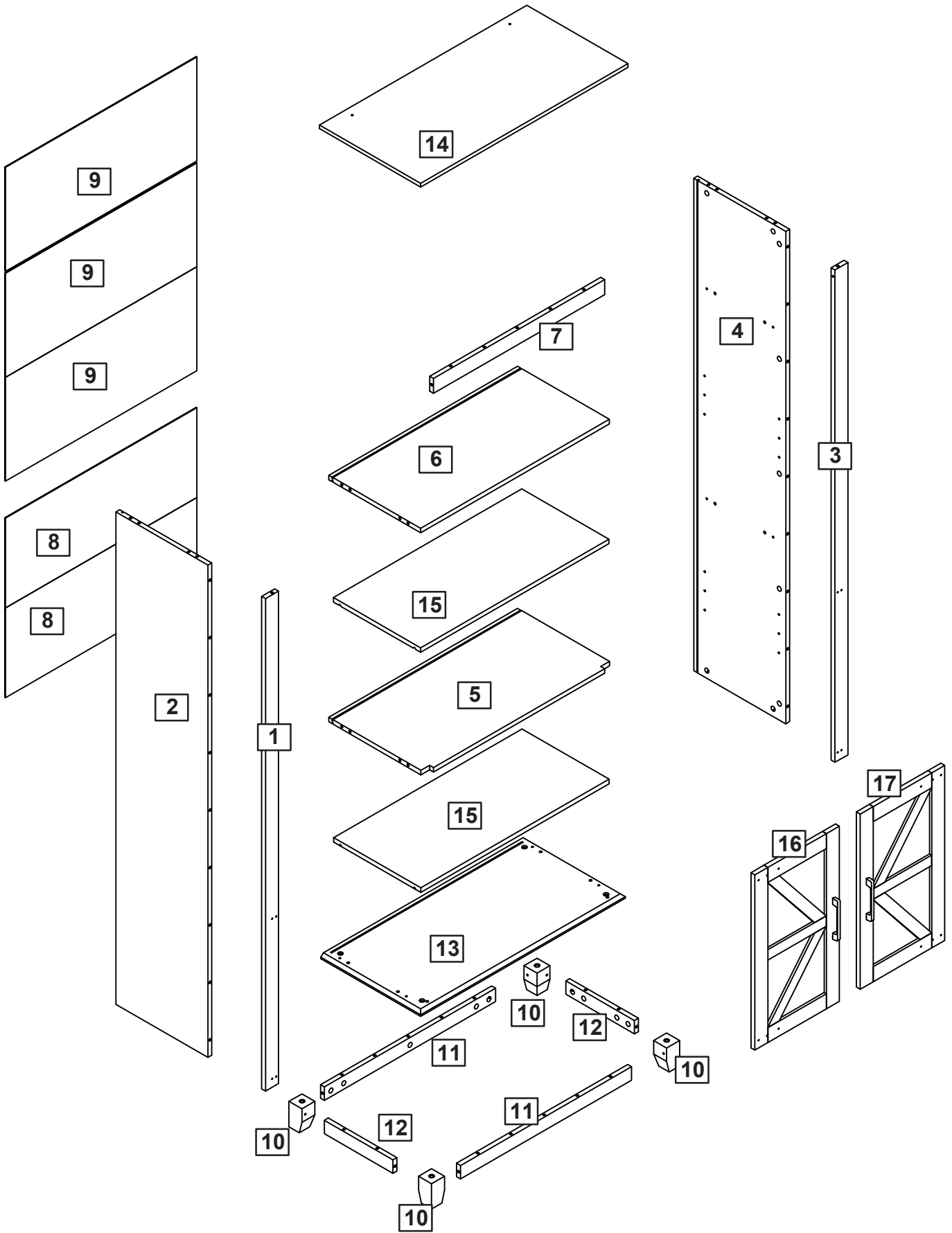
You should feel a click when the camlock is locked in place.

The joint is now secure.

4



Assembly Instructions

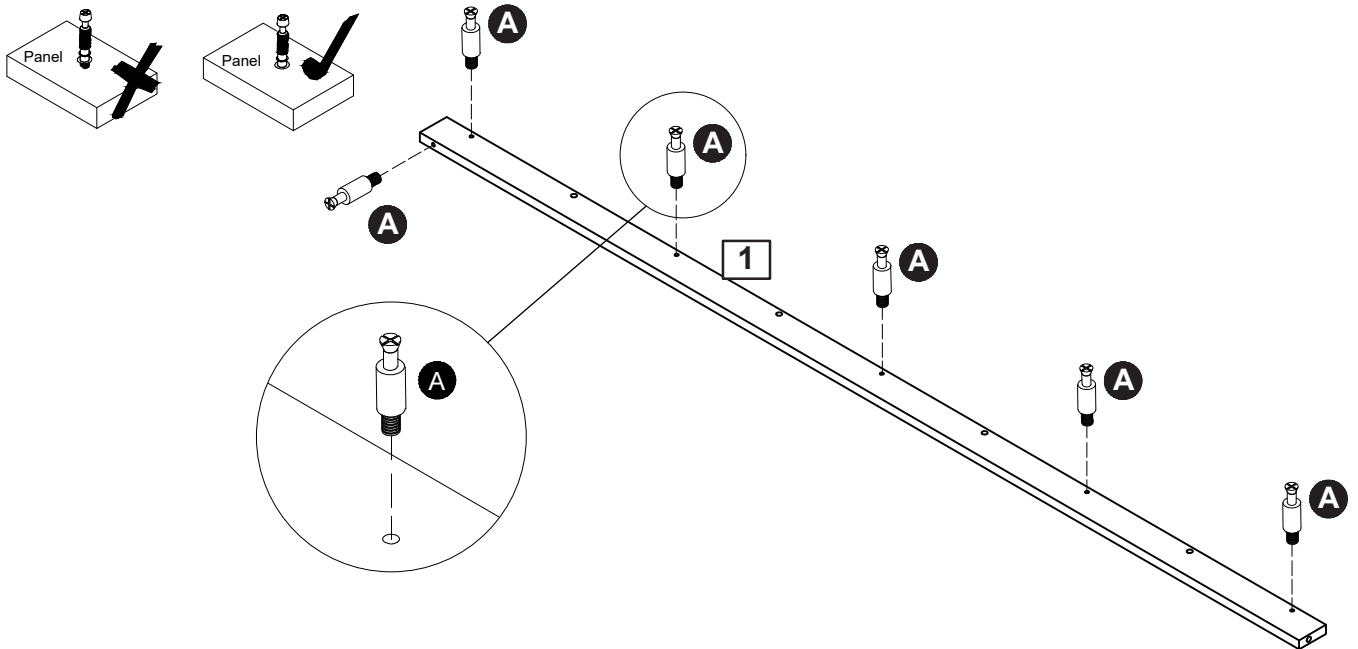
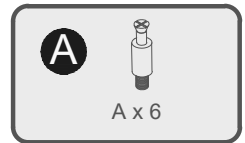
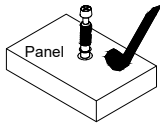
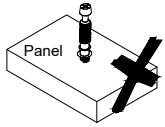
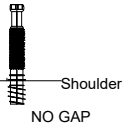


Assembly Instructions

Step 1

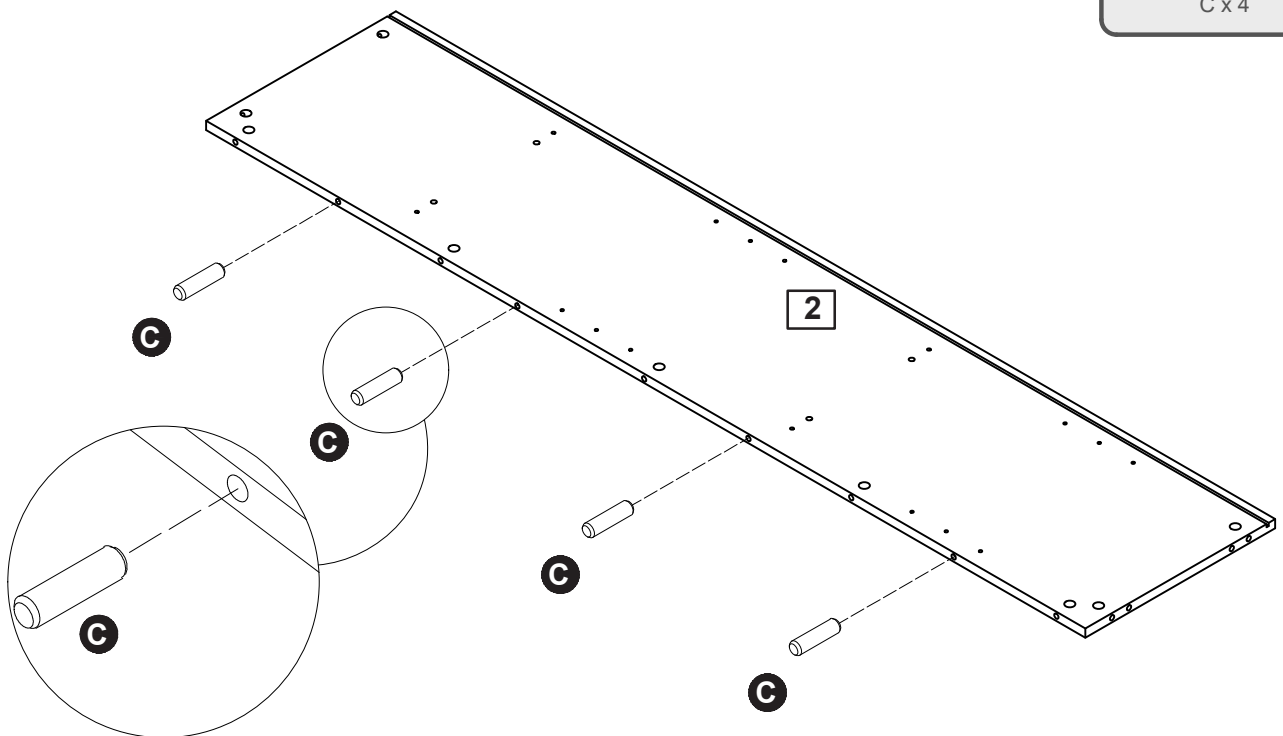
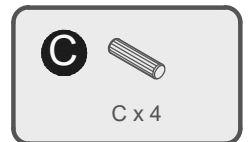
CAM-LOCK

Tighten until shoulder is flush with panel. Do not overtighten or undertighten (see example below)



Attach Male Cam Lock (A) to Part (1) with a screwdriver.

Step 2



Insert Wooden Dowel (C) into Part (2).

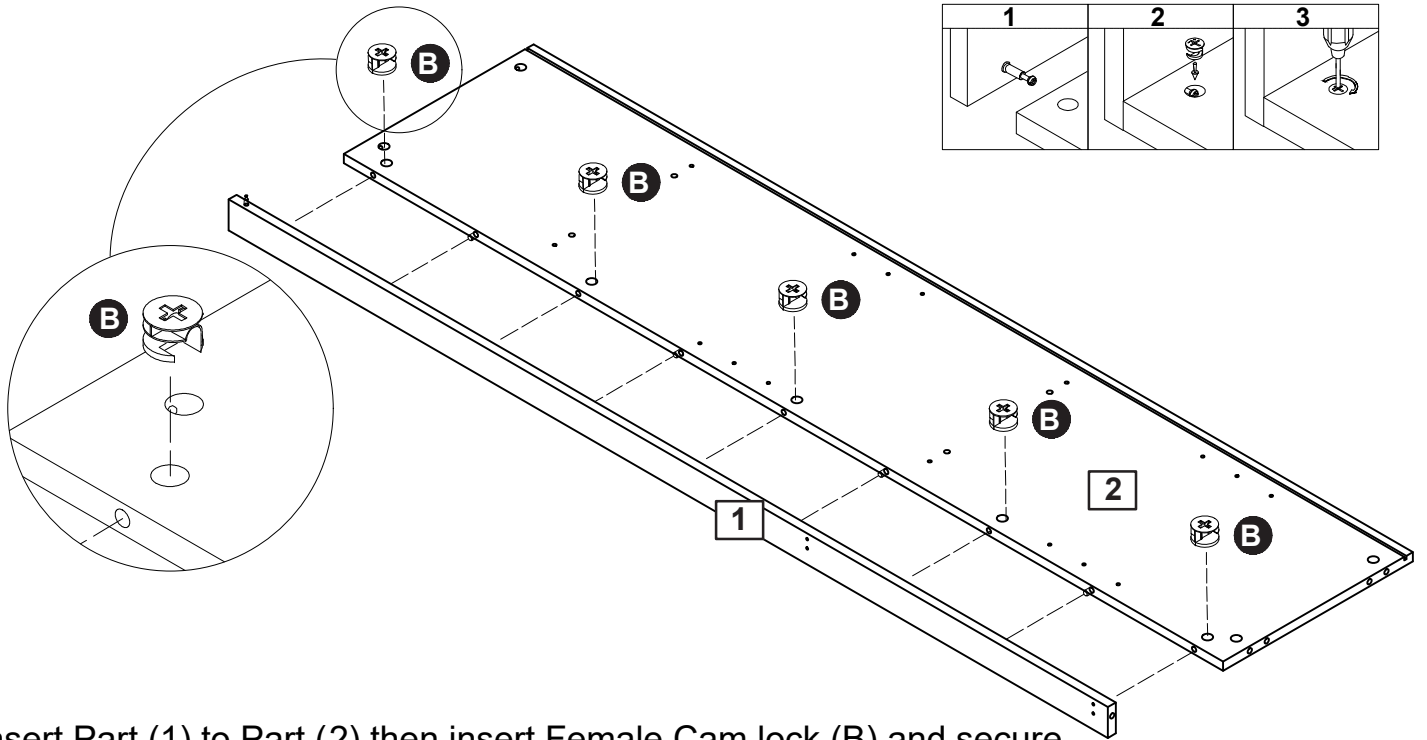
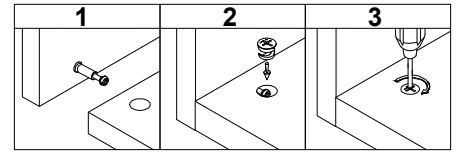
Assembly Instructions

Step 3

B



B x 5



Insert Part (1) to Part (2) then insert Female Cam lock (B) and secure.

Step 4

C

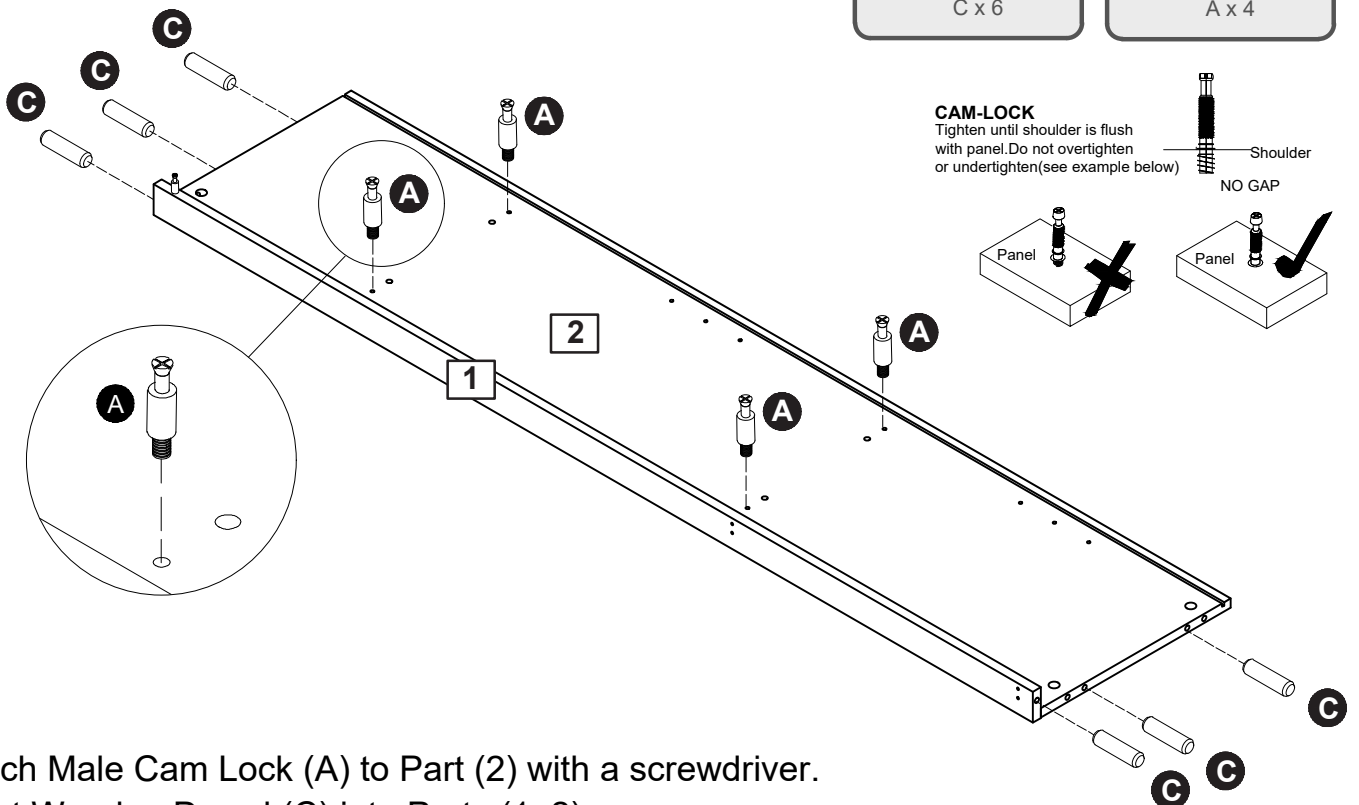


C x 6

A



A x 4



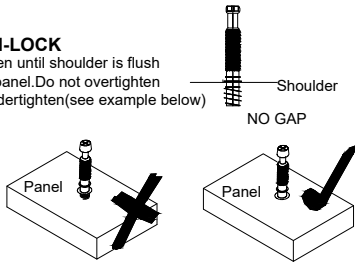
Attach Male Cam Lock (A) to Part (2) with a screwdriver.
Insert Wooden Dowel (C) into Parts (1, 2).

Assembly Instructions

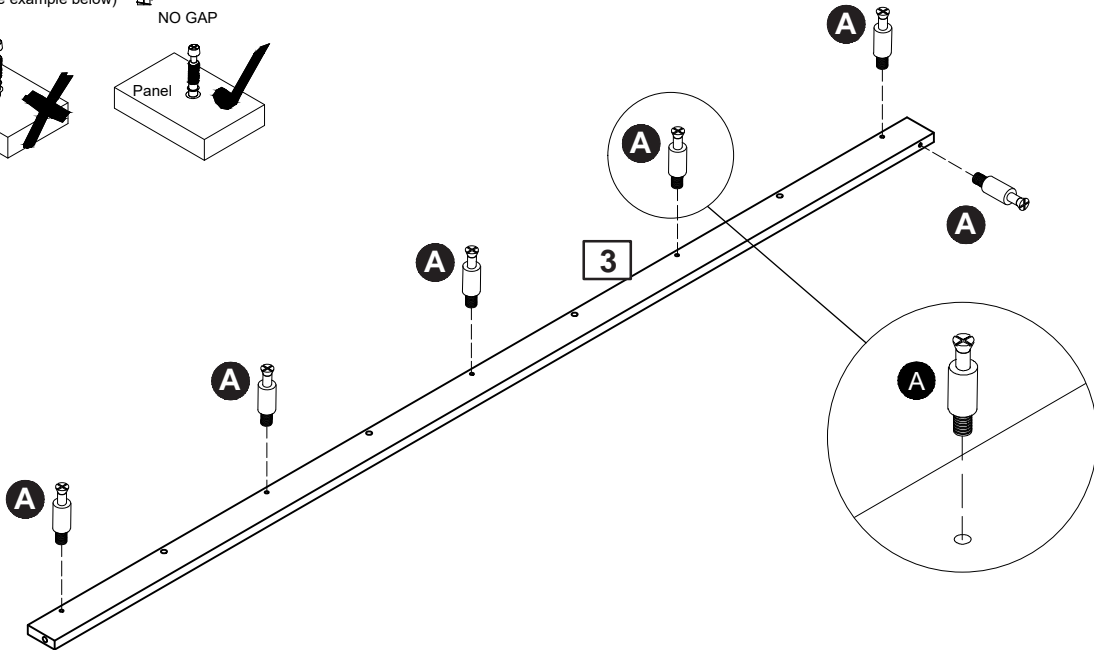
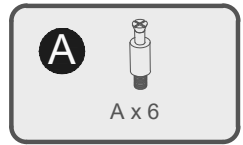
Step 5

CAM-LOCK

Tighten until shoulder is flush with panel. Do not overtighten or undertighten (see example below)



Shoulder
NO GAP



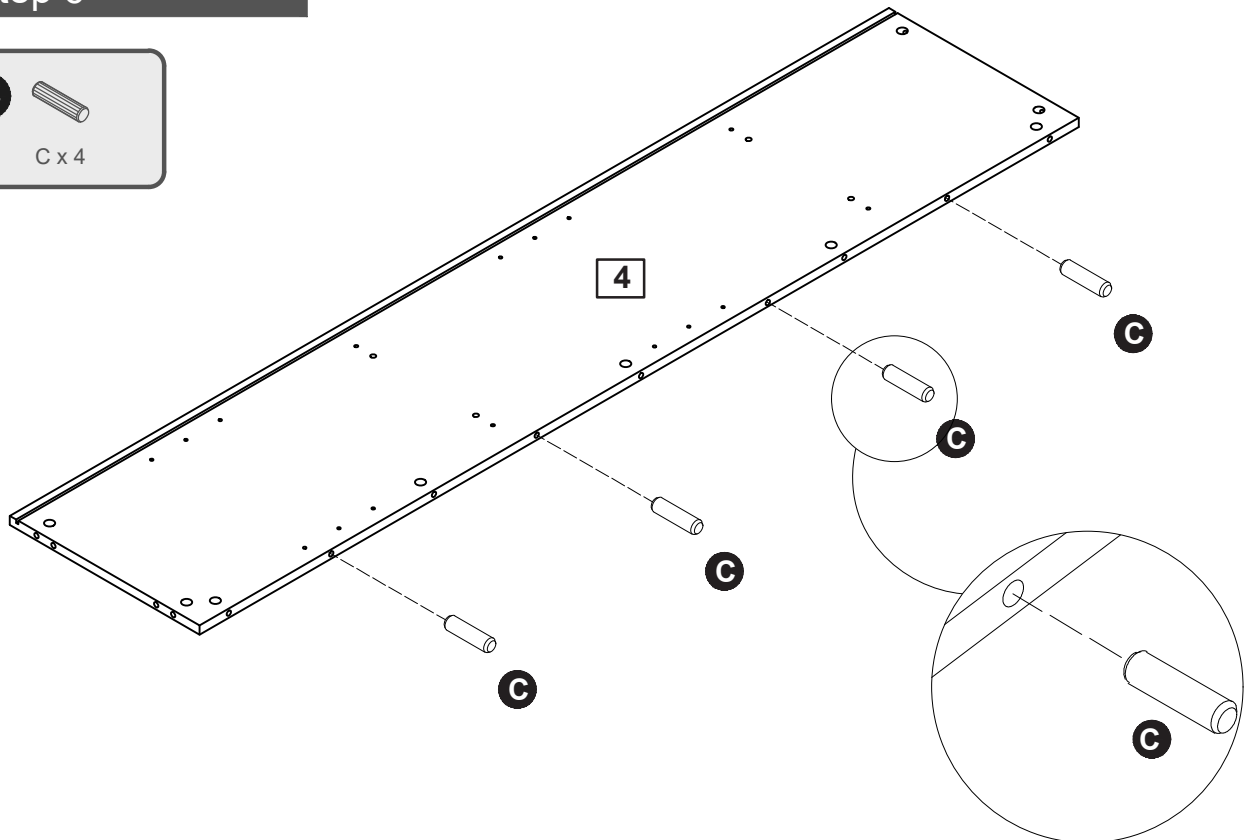
Attach Male Cam Lock (A) to Part (3) with a screwdriver.

Step 6

C



C x 4



Insert Wooden Dowel (C) into Part (4).

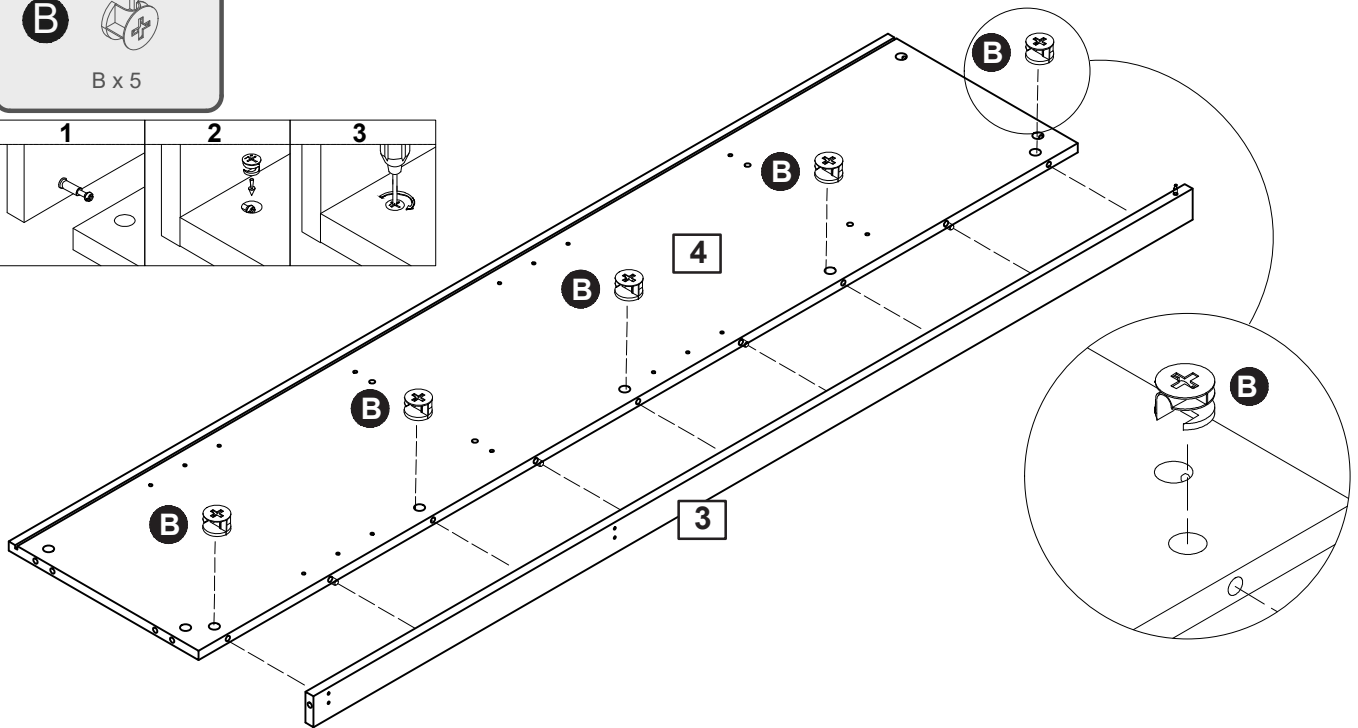
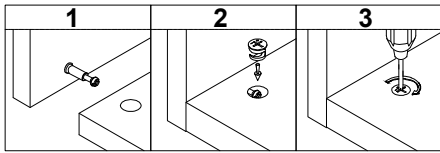
Assembly Instructions

Step 7

B



B x 5



Insert Part (3) to Part (4) then insert Female Cam lock (B) and secure.

Step 8

A



A x 4

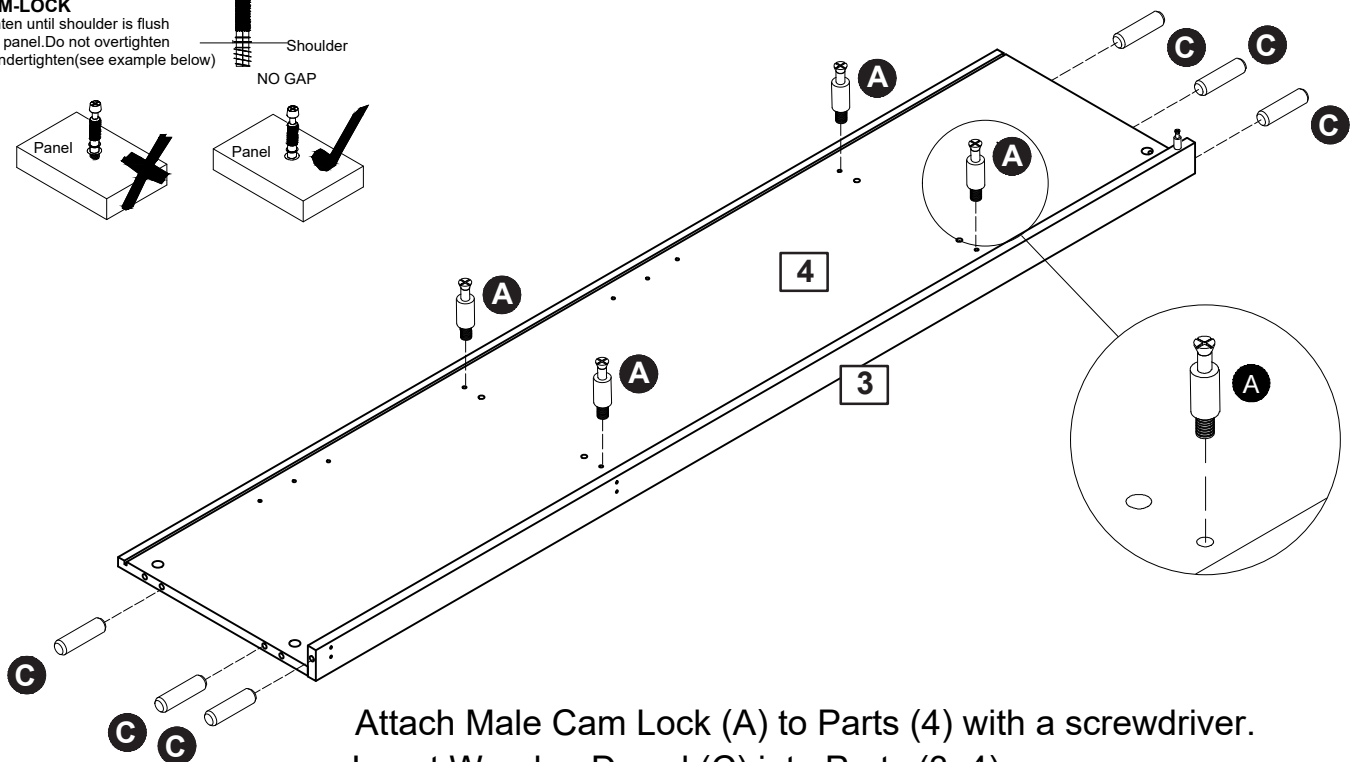
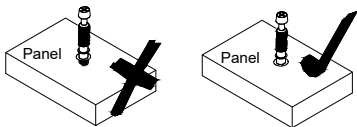
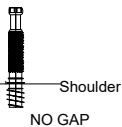
C



C x 6

CAM-LOCK

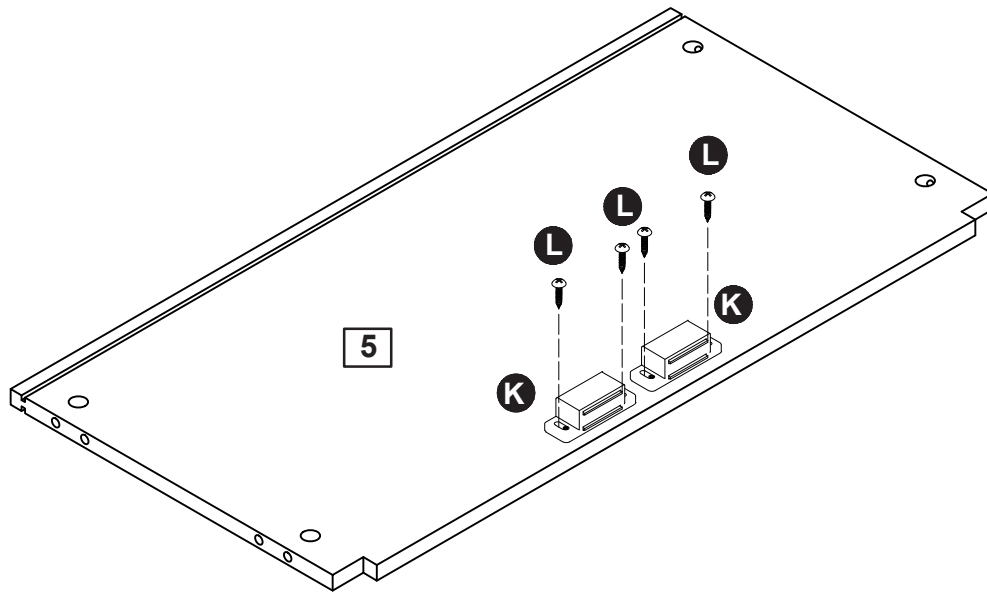
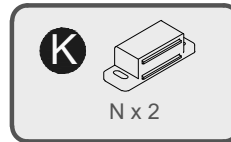
Tighten until shoulder is flush with panel. Do not overtighten or undertighten (see example below)



Attach Male Cam Lock (A) to Parts (4) with a screwdriver.
Insert Wooden Dowel (C) into Parts (3, 4).

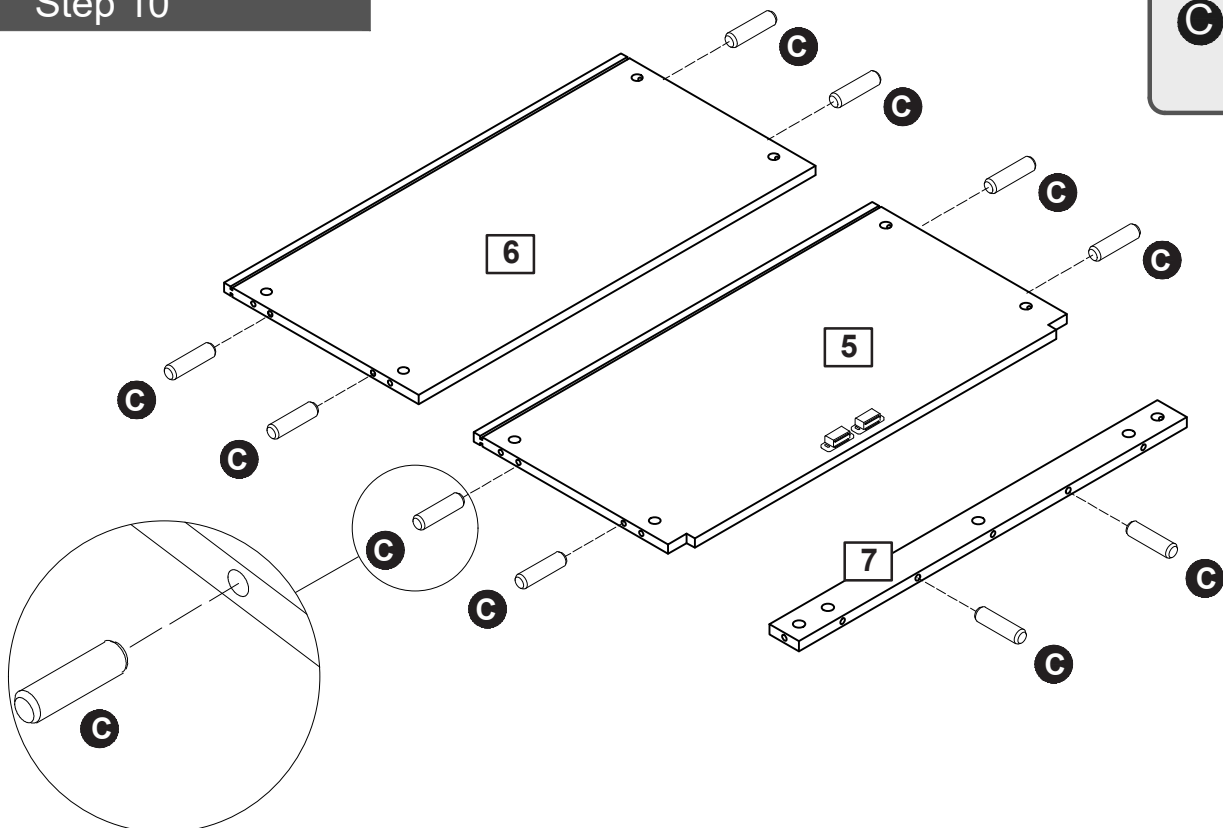
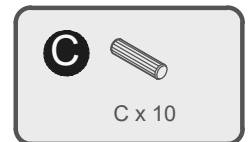
Assembly Instructions

Step 9



Attach Magnet Touch (K) to Part (5) using Screw (L) with a screwdriver.

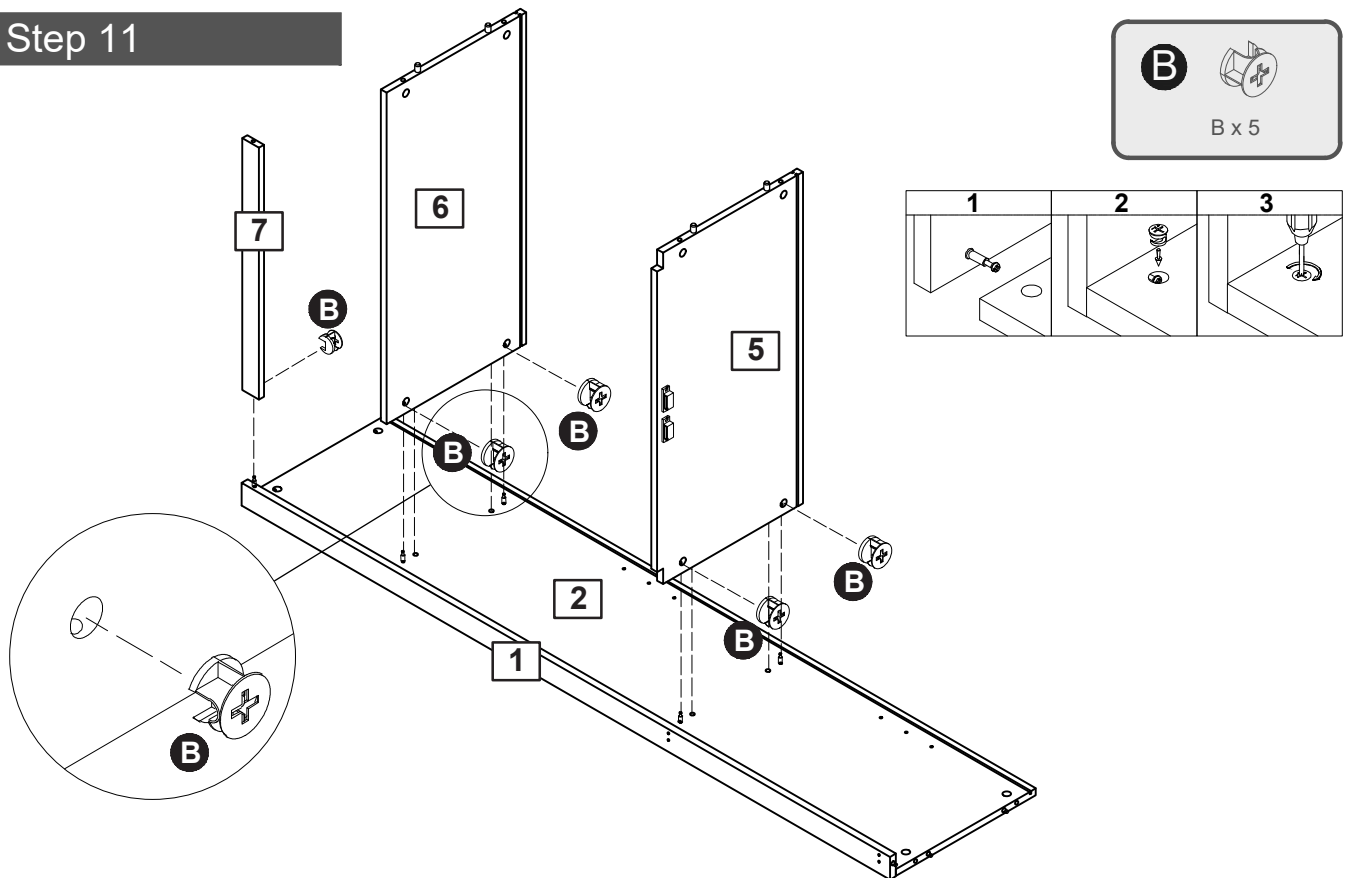
Step 10



Insert Wooden Dowel (C) into Parts (5, 6, 7).

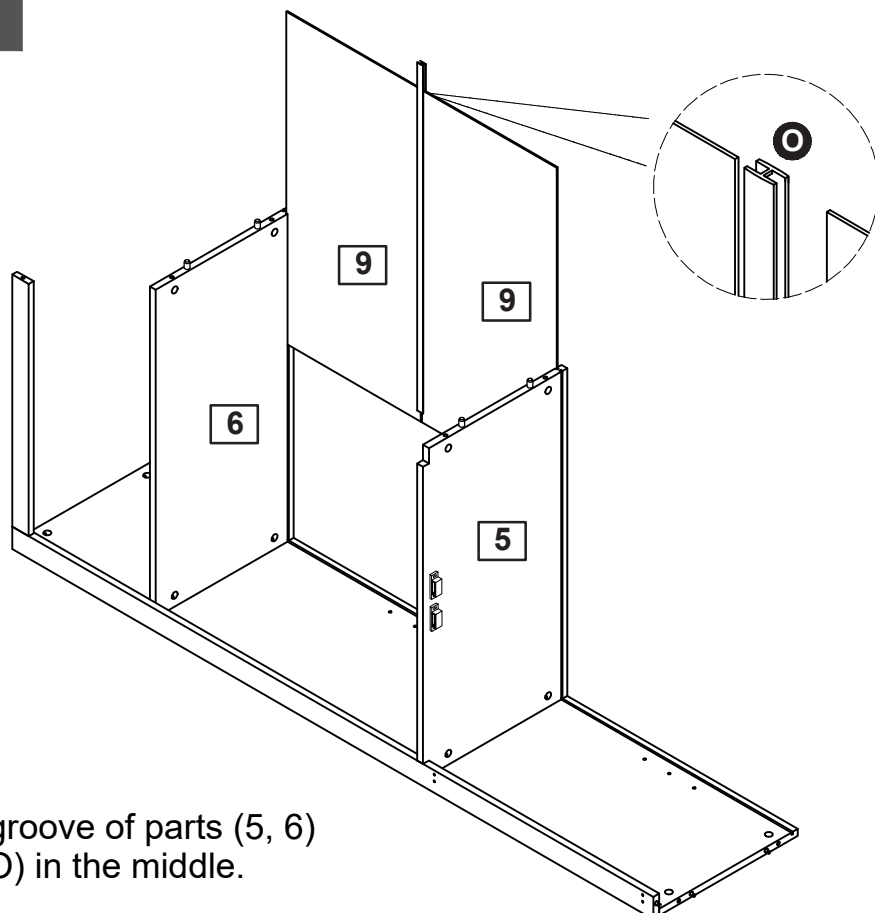
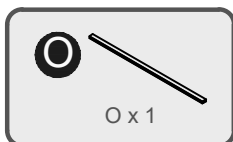
Assembly Instructions

Step 11



Insert Parts (5, 6, 7) to Part (1, 2) then insert Female Cam lock (B) and secure.

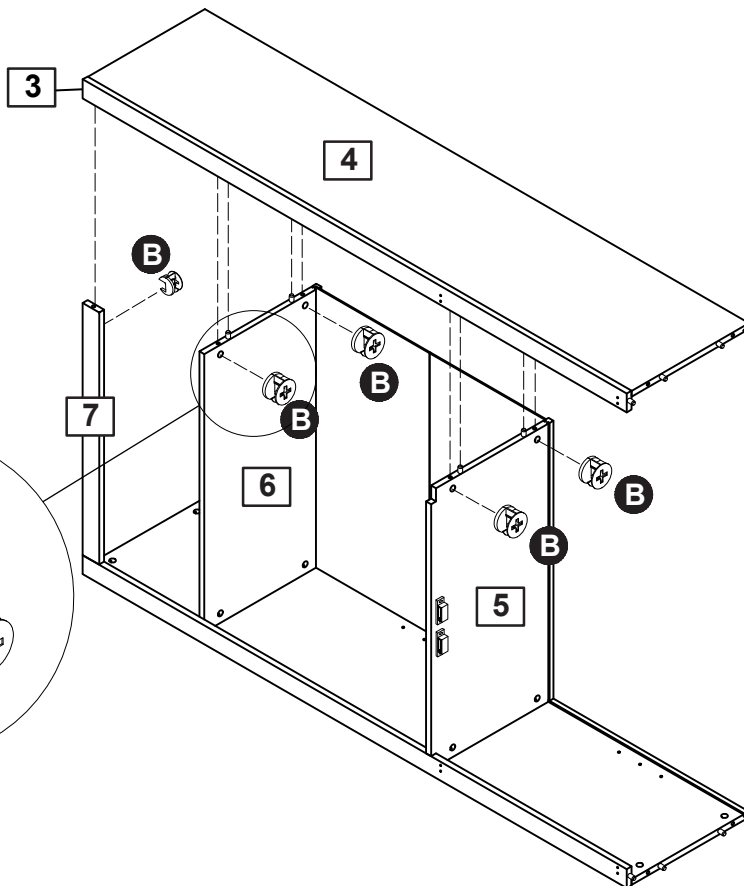
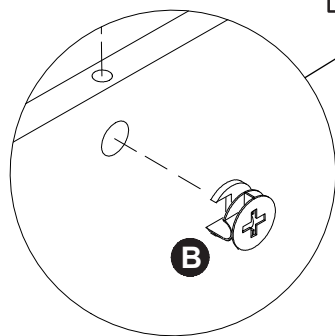
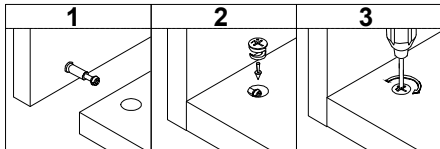
Step 12



Insert Parts (9) into the groove of parts (5, 6) and connect it with rail (O) in the middle.

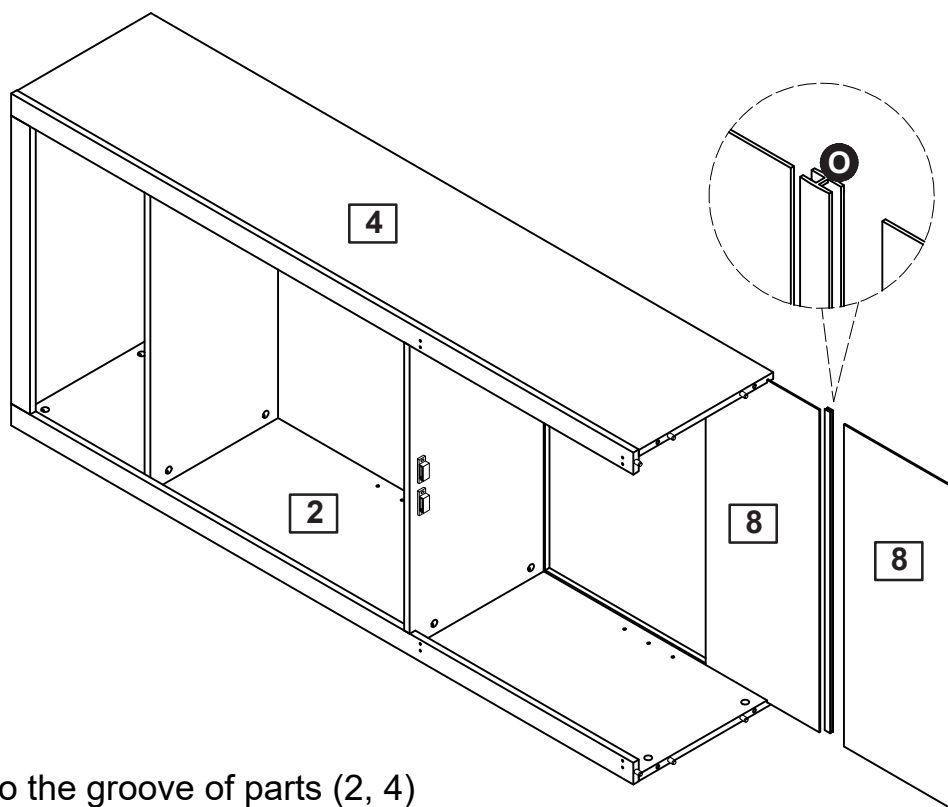
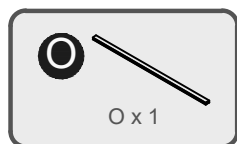
Assembly Instructions

Step 13



Insert Parts (3, 4) to Part (5, 6, 7) then insert Female Cam lock (B) and secure.

Step 14



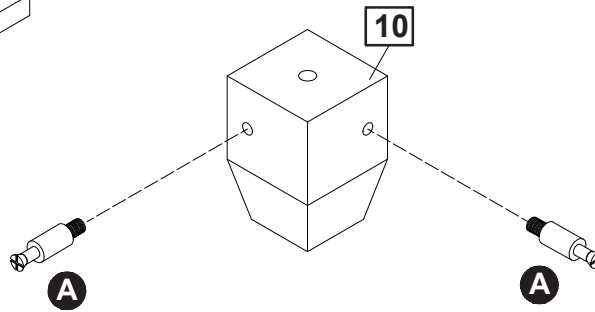
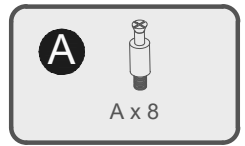
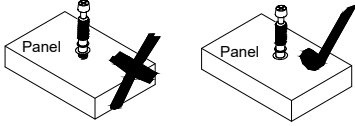
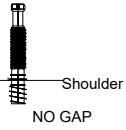
Insert Parts (8) into the groove of parts (2, 4) and connect it with rail (O) in the middle.

Assembly Instructions

Step 15

CAM-LOCK

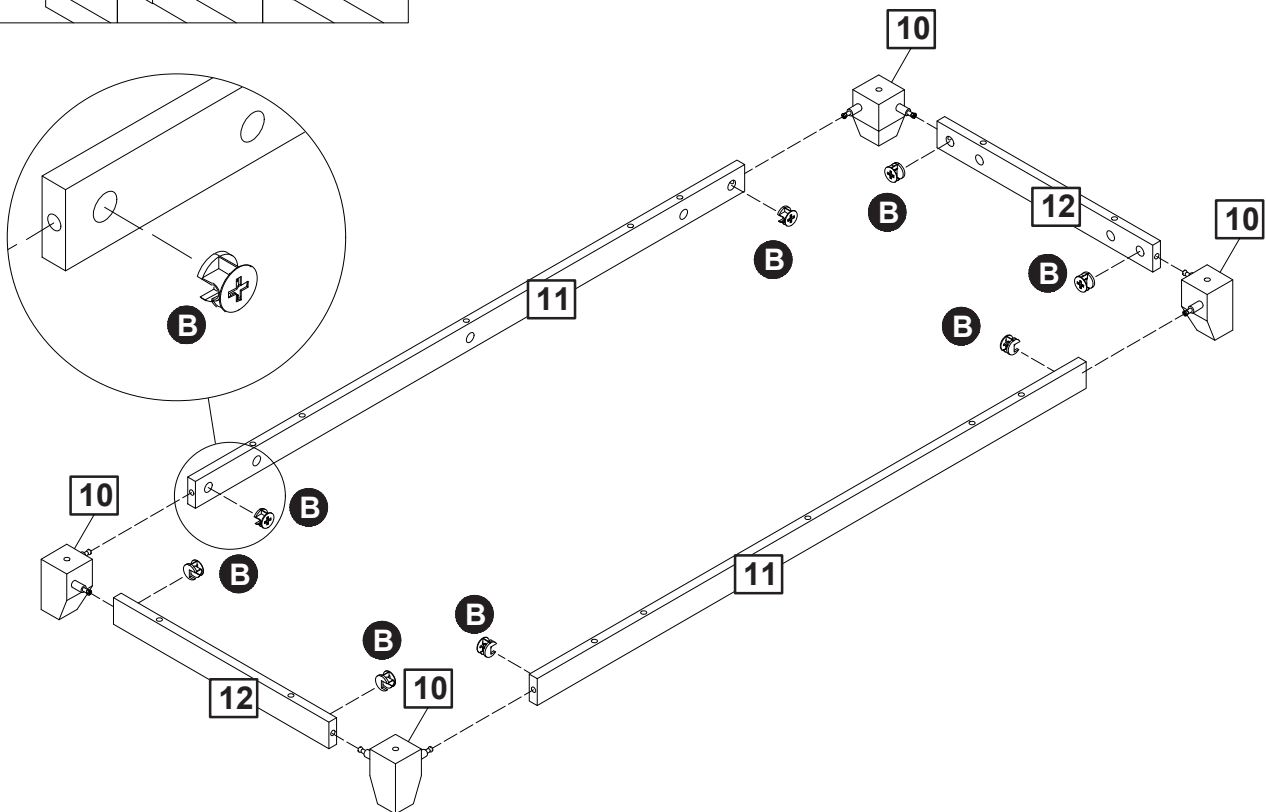
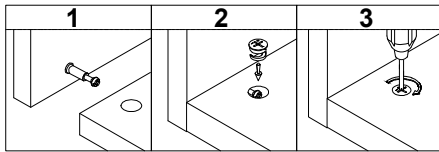
Tighten until shoulder is flush with panel. Do not overtighten or undertighten (see example below)



X4

Attach Male Cam Lock (A) to Parts (10) with a screwdriver.

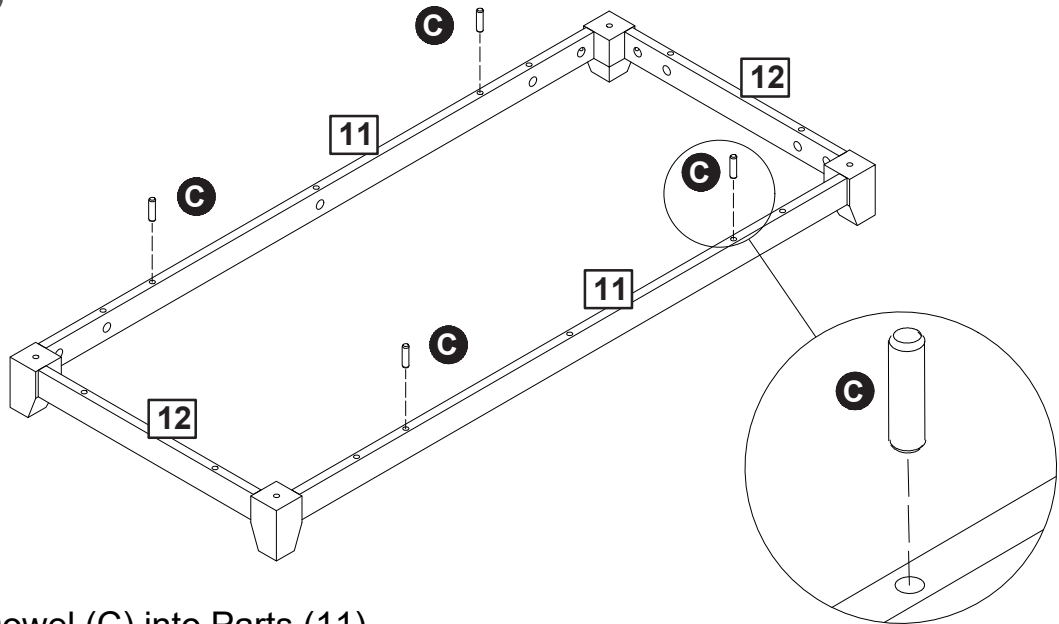
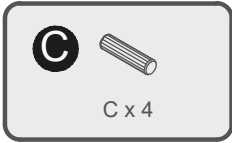
Step 16



Insert Parts (10) to Parts (11, 12) then insert Female Cam lock (B) and secure.

Assembly Instructions

Step 17

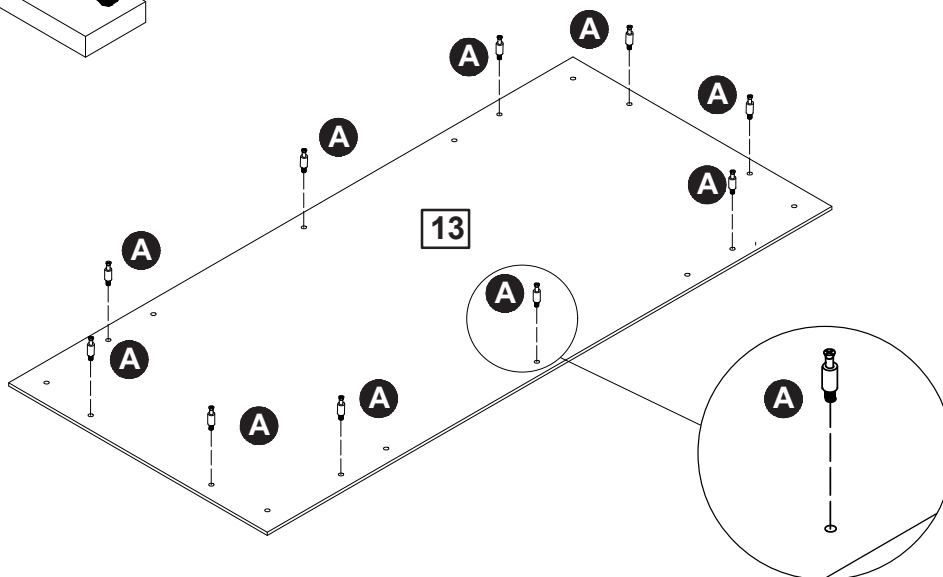
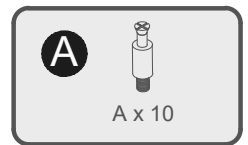
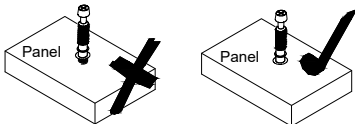
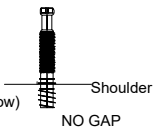


Insert Wooden Dowel (C) into Parts (11).

Step 18

CAM-LOCK

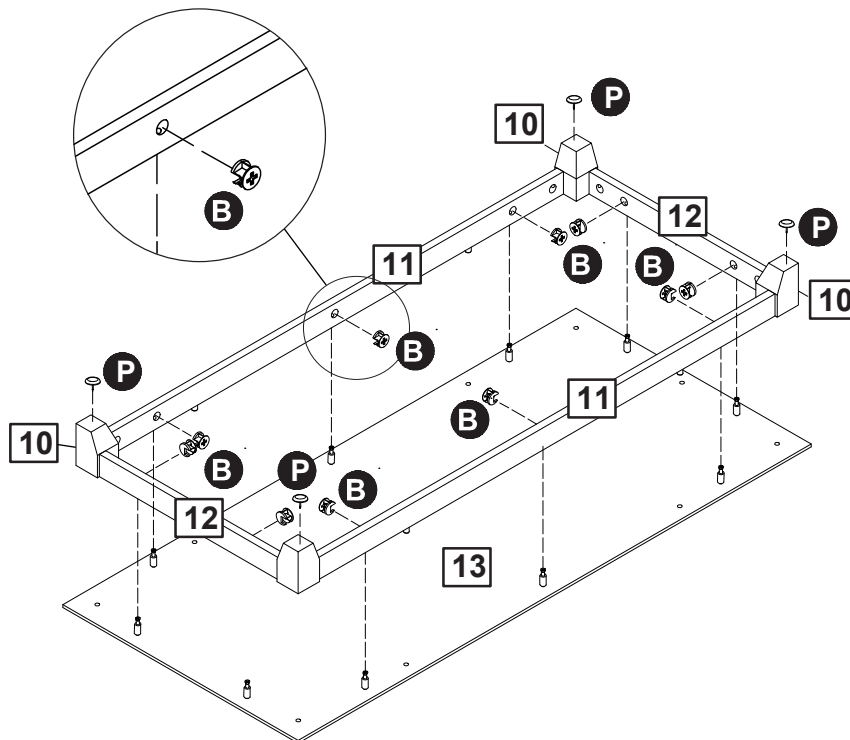
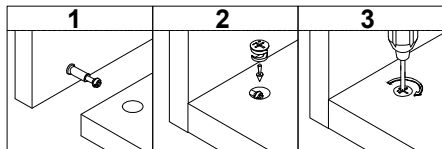
Tighten until shoulder is flush with panel. Do not overtighten or undertighten (see example below)



Attach Male Cam Lock (A) to Part (13) with a screwdriver.

Assembly Instructions

Step 19



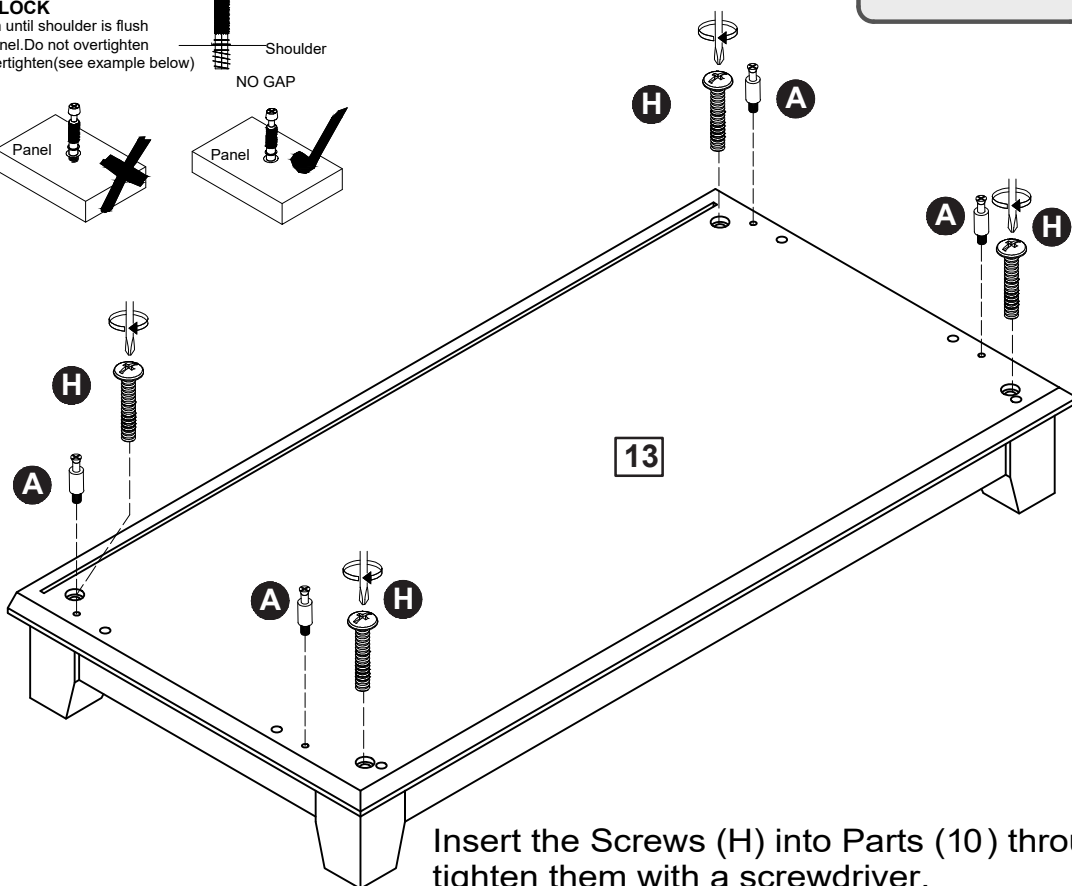
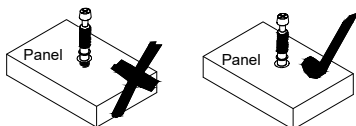
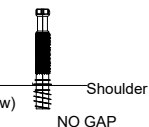
Insert Parts (11, 12) to Part (13) then insert Female Cam lock (B) and secure. Insert protective feet (P) to Part (10).

Step 20



CAM-LOCK

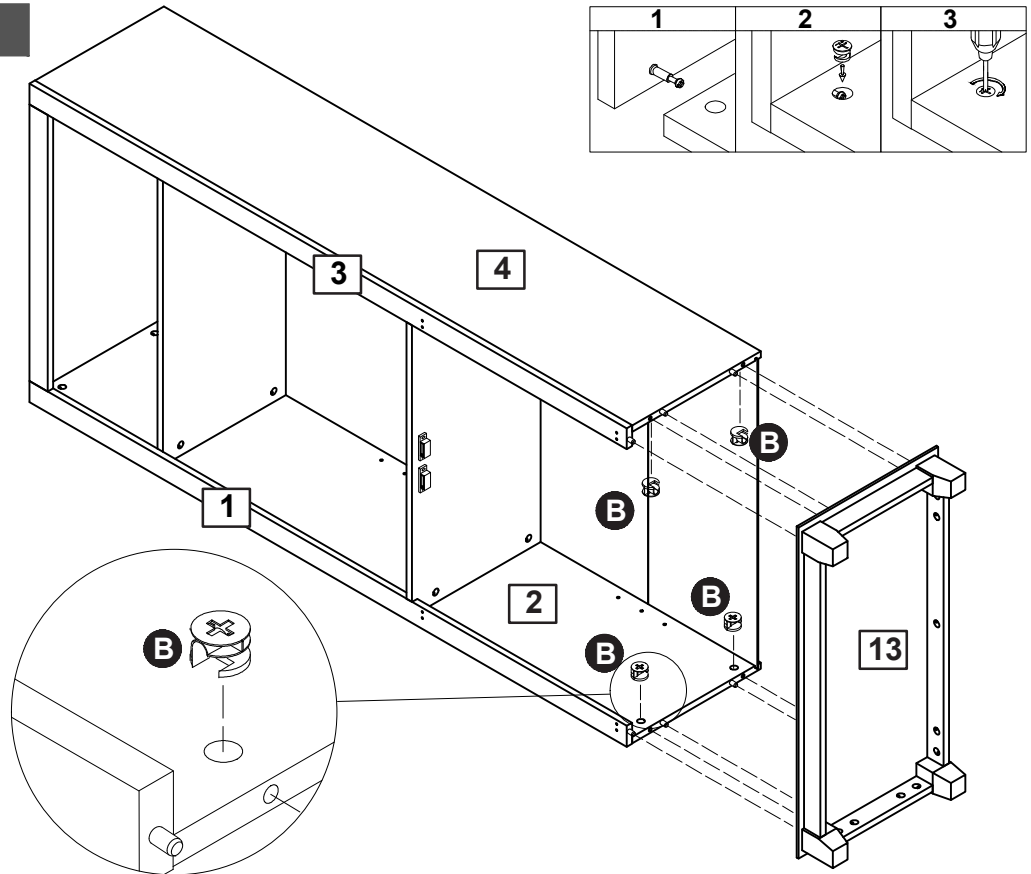
Tighten until shoulder is flush with panel. Do not overtighten or undertighten (see example below)



Insert the Screws (H) into Parts (10) through the Part (13) tighten them with a screwdriver. Attach Male Cam Lock (A) to Part (13) with a screwdriver.

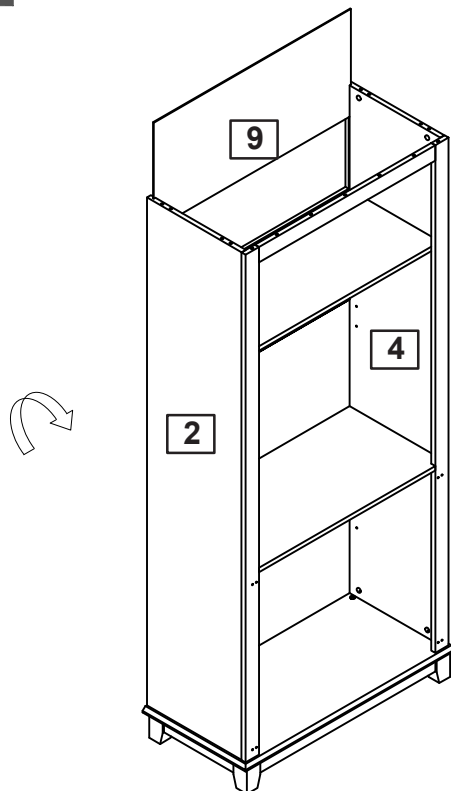
Assembly Instructions

Step 21



Insert Parts (13) to Part (1, 2, 3, 4) then insert Female Cam lock (B) and secure.

Step 22



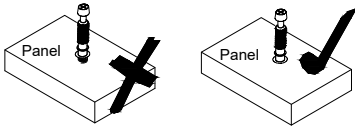
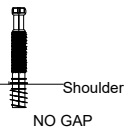
Overturn the Bookcase
Insert Part (9) into the groove of Parts (2, 4).

Assembly Instructions

Step 23

CAM-LOCK

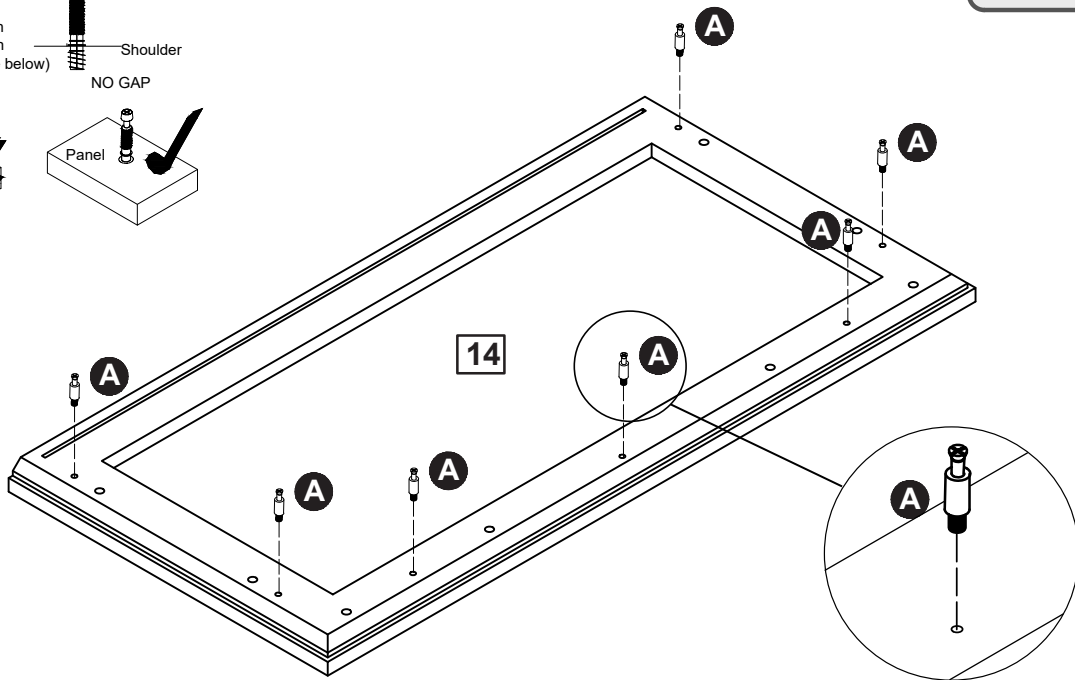
Tighten until shoulder is flush with panel. Do not overtighten or undertighten (see example below)



A



A x 7



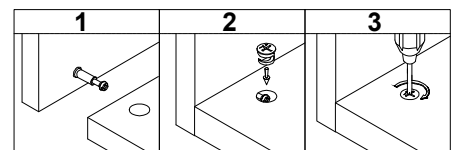
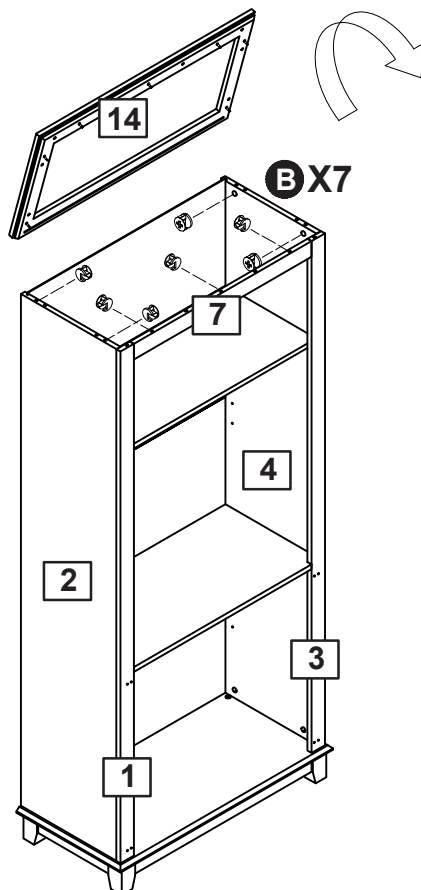
Attach Male Cam Lock (A) to Part (14) with a screwdriver.

Step 24

B



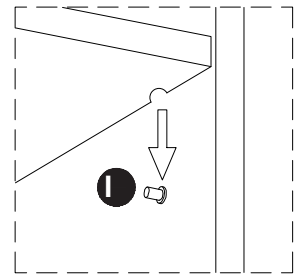
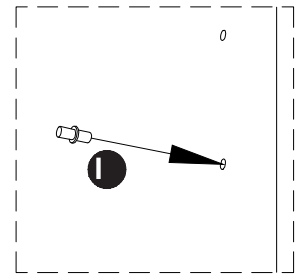
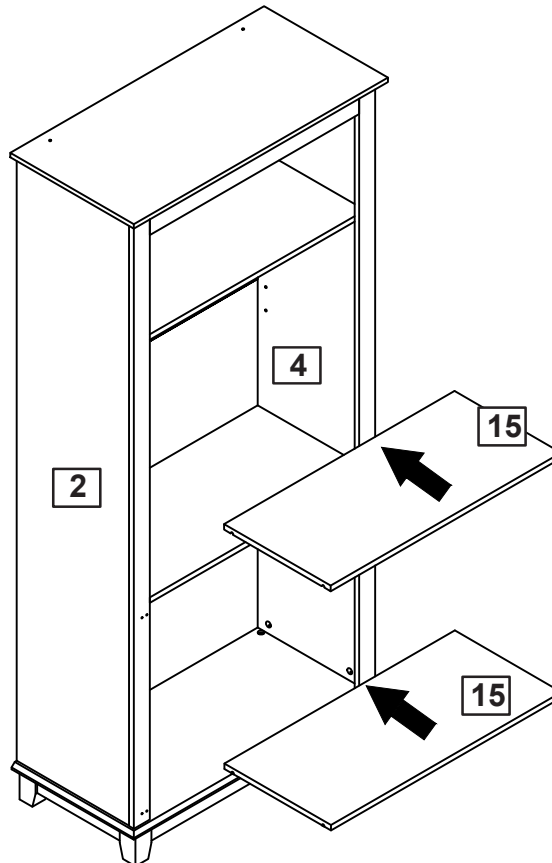
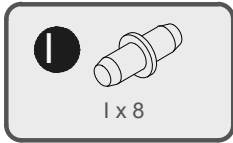
B x 7



Insert Part (14) to Parts (1, 2, 3, 4, 7) then insert Female Cam lock (B) and secure.

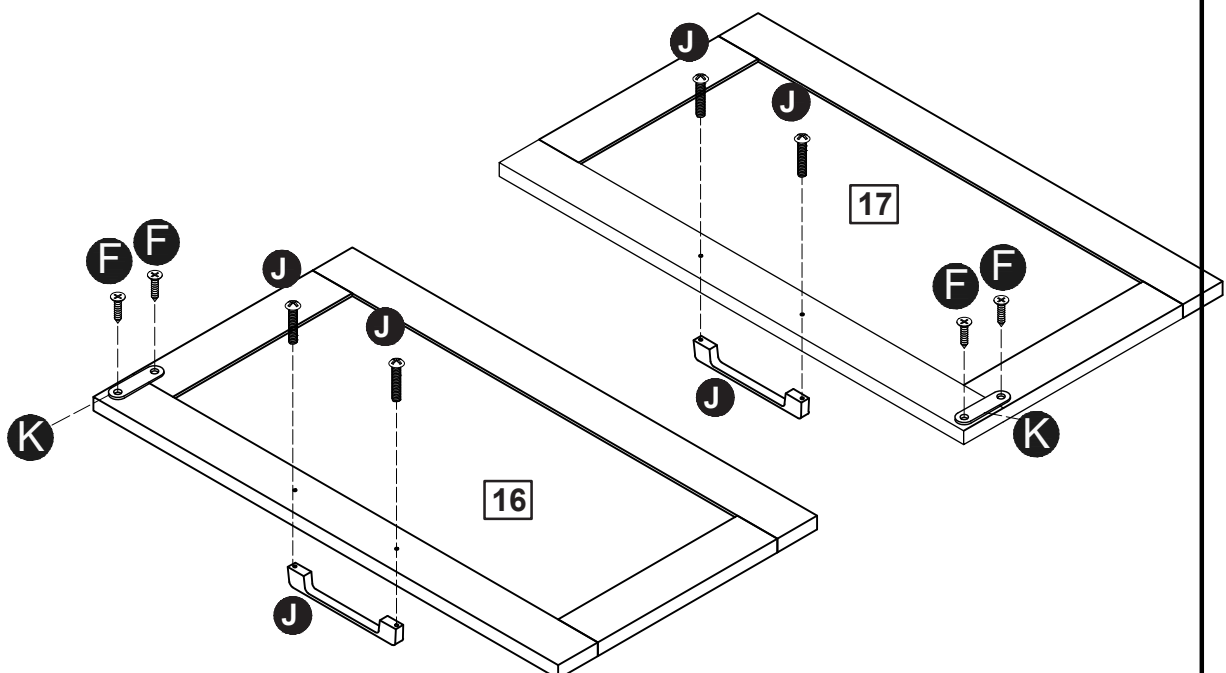
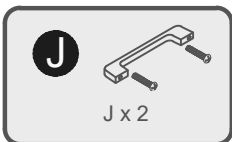
Assembly Instructions

Step 25



Insert Shelf support Pin (I) into Parts (2, 4)
Place the Parts (15) on top of the Shelf Support Pin (I).

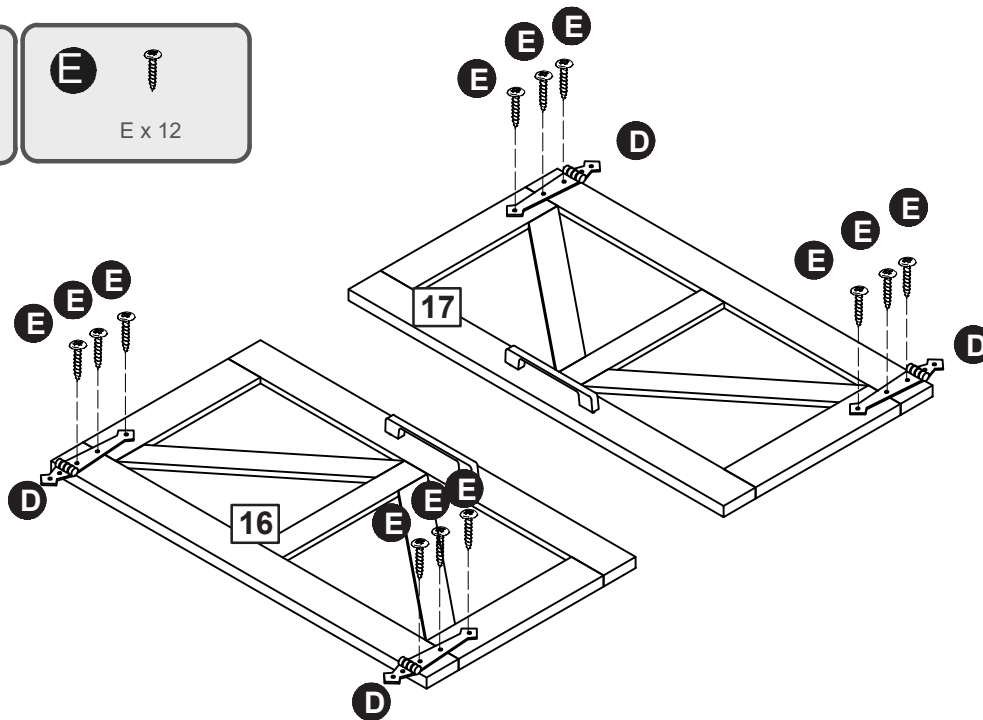
Step 26



Align the Pre-drilled hole of Parts (16,17)
Use screw (F) to secure metal (K) to door (16, 17) with a screwdriver.
Use screw (J) to secure handle (J) to door (16, 17) with a screwdriver.

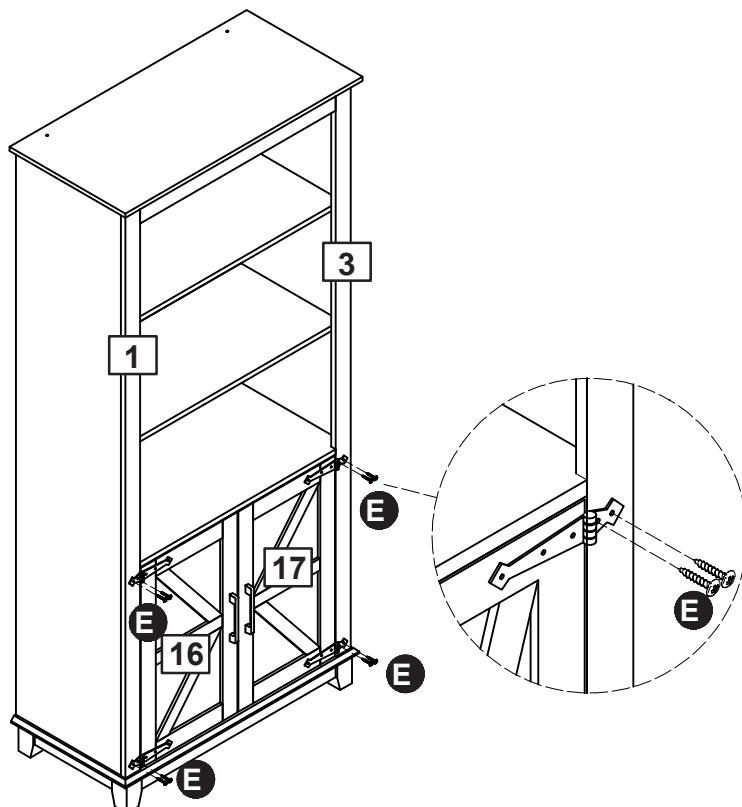
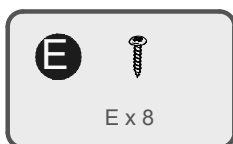
Assembly Instructions

Step 27



Overturn the Parts (16,17)
Align the Pre-drilled hole of Parts (16,17)
Attach Door Hinge (D) to Parts (16,17) using Screw (E) with a screwdriver.

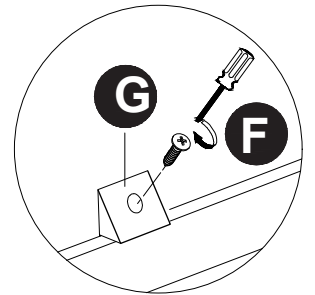
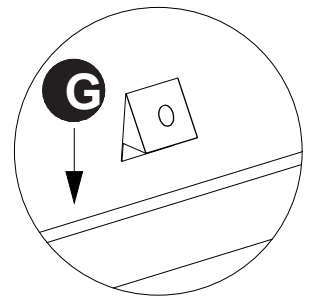
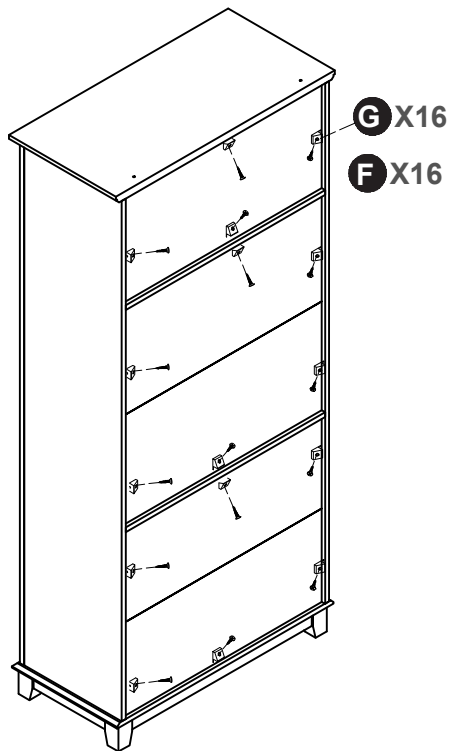
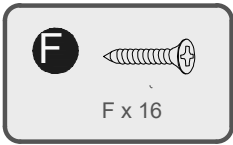
Step 28



Attach Parts (16,17) to Parts (1, 3)
Align the Pre-drilled hole of Parts (1, 3)
Use screw (E) to secure hinge (D) to part (1, 3) with a screwdriver.

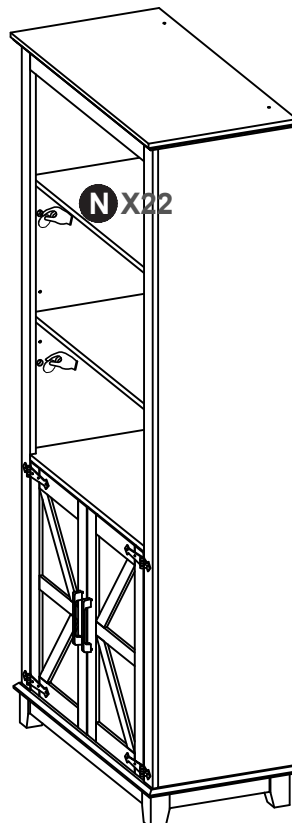
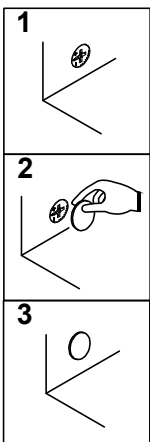
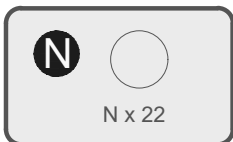
Assembly Instructions

Step 29



Place the Bookcase on a flat surface,
Attach plastic wedge (G) to back panel using screw (F) with a screwdriver.

Step 30



Using the sticker (N) to cover the combiner hole.

Assembly Instructions

Step 31

M



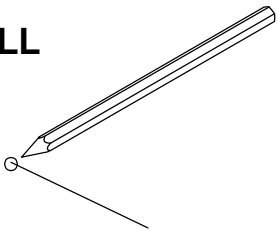
M x 2



ATTENTION:

For safety and stability, we suggest you to secure the anti tip accessories to the wall to prevent tipping, injury, and property damage.

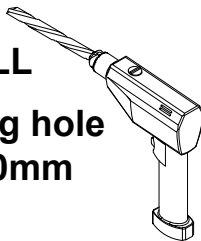
WALL



(1)

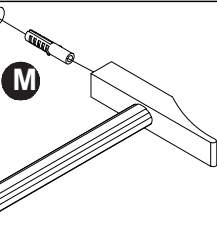
WALL

drilling hole
Ø6x30mm



(2)

WALL



(3)

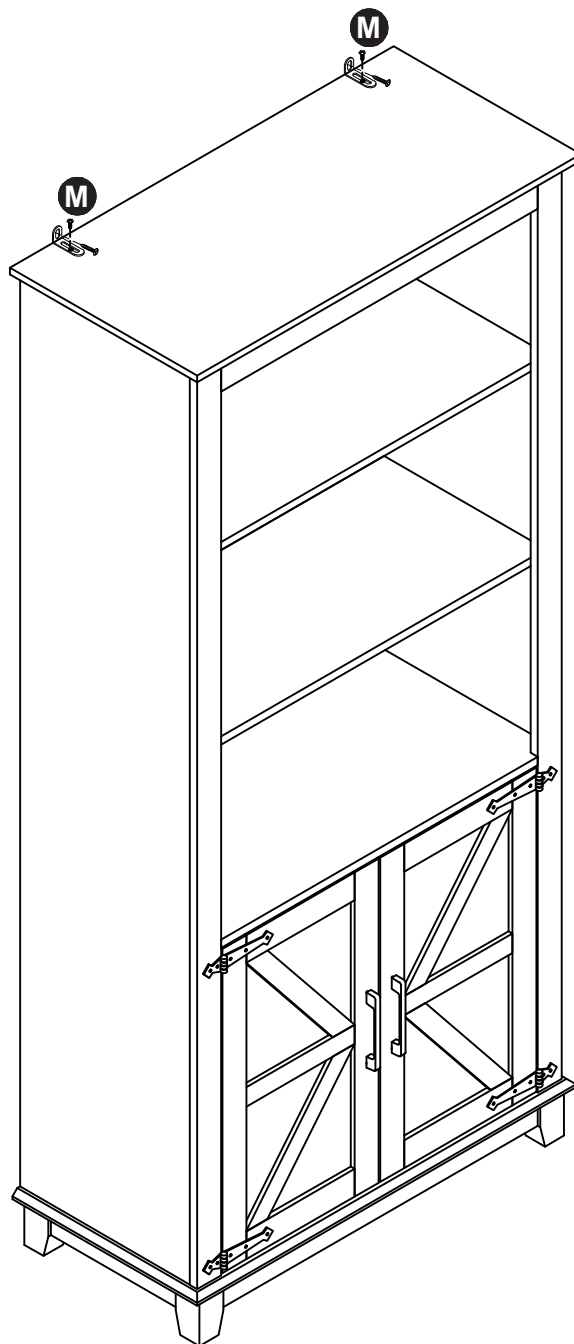
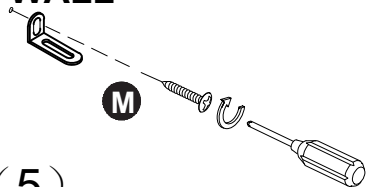
(4)



WALL

M

(5)



Assembly is complete.

A Guide to Wall Mounting & Fixings

Important note:

If plastic wall plugs (rawl plugs) are supplied with your product, e.g.:



- these are only suitable for use in masonry walls.

If you are in any doubt about the correct wall plugs for your wall, seek professional advice.


Failure of the product due to using the incorrect fixings is the responsibility of the installer.



Important: when drilling into walls always check that there are no hidden wires or pipes etc.

Make sure that the screws and wall plugs being used are suitable for **supporting your unit**. **Consult a qualified tradesperson if you are unsure.**

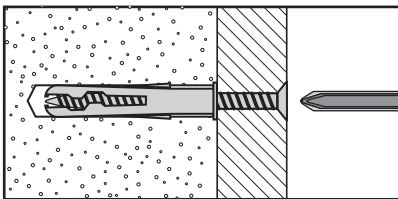
Hints:

- 1: General rule:  always use a larger screw and wall plug if you are not sure.
- 2: Ensure you use the recommended drill bit to match the wall plug and hole size.
- 3: Ensure you drill the hole horizontally; do not force the drill or enlarge the hole.
- 4: Take extra care when drilling high walls, ceilings and ceramic tiles. Ensure wall plugs are inserted beyond the thickness of the ceramic tiles to avoid the tiles splitting or cracking.
- 5: Ensure wall plugs are well fitted and are a tight fit in the drilled hole.

Types of walls

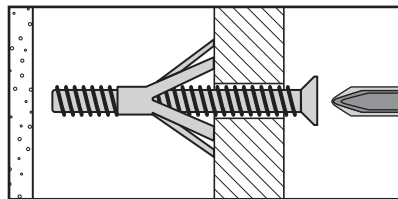
You can use one of the following types of wall plug if your walls are made of brick, breeze block, concrete, stone or wood.

No.1 "General Purpose" wall plug



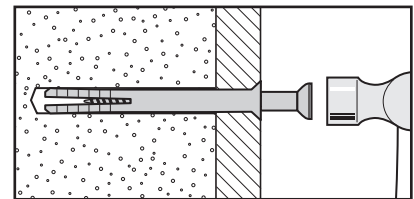
Generally aerated blocks should not be used to support heavy loads, use a specialist fitting in this case. For light loads, general purpose wall plugs can be used.

No.3 "Cavity Fixing" wall plug



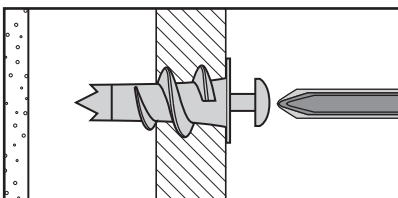
For use with plasterboard partitions or hollow wooden doors.

No.5 "Hammer Fixing" wall plug



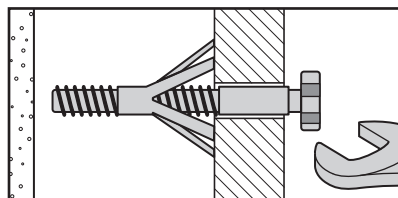
For use with walls stuck with plasterboard. The hammer fixing allows it to be fixed to the wall rather than the plasterboard. Always check the fixing is secure to the retaining wall.

No.2 "Plasterboard" wall plug



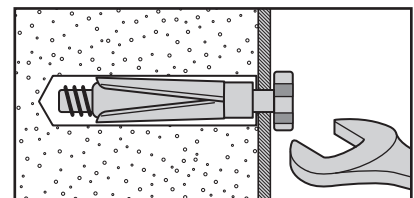
For use when attaching light loads onto plasterboard partitions.

No.4 "Cavity Fixing - Heavy Duty" wall plug



For use when fitting or supporting heavy loads such as shelving, wall cabinets and coat racks.

No.6 "Shield Anchor" wall plug - heavy loads



For use with heavier loads such as TV and HiFi speakers and satellite dishes etc.



Care & Maintenance

Safety: always check the fitting and location to ensure your safety in and around the home.

Fitting: from time to time check the fitting to ensure the wall plugs or screws do not become loose.