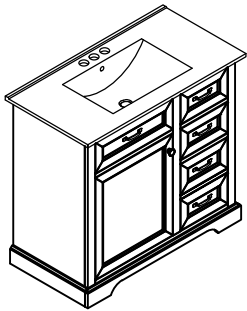


ASSEMBLY INSTRUCTIONS

Thank you for purchasing this quality Product. Be sure to check all packing material carefully for small parts, which may have come loose inside carton during shipment. Identify and count all parts and compare with the parts list below.






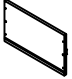


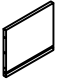


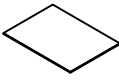













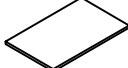




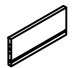
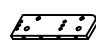
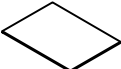




ASSEMBLY INSTRUCTION:

1. Remove hardware from box and sort by size.
2. Please check to see that all hardware and parts are present prior start of assembly.
3. Please follow attached instruction in the same sequence as numbered above for fast and easy assembly.

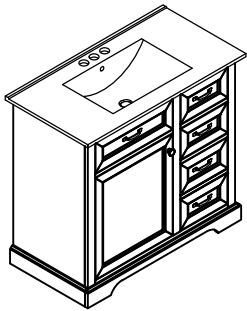
WARNING!

1. Do not attempt to repair or modify parts that are broken or defective. Please contact the store immediately.
2. This product is for home use only and not intended for commercial establishments.
3. Two persons are required for assembly.
4. Approximate assembly time 1/2 hours.
5. Component parts and fittings contained in the box. Please sort out all parts before you begin to assemble the item. This is to make sure you always use the correct part.
6. It is **STRONGLY RECOMMENDED** that you **ANCHOR** this product to your wall. Tipping furniture can cause serious injuries and death. To prevent your furniture from tipping forward it is strongly recommended that you securely attach this product to a wall or other solid surface, using the anchor straps provided appropriate fixings.

No.	Component	Q'ty	No.	Component	Q'ty	No.	Component	Q'ty
1	 Side Panel-Left	1	16	 Mid Racket Panel	2	31	 Sides Drawer Panel - Bottom (L)	1
2	 Middle Panel	1	17	 Front Flip down Box - Left	1	32	 Sides Drawer Panel - Bottom (R)	1
3	 Side Panel-Right	1	18	 Bottom Flip down Box - Left	1	33	 Back Drawer Panel - Bottom	1
4	 Bottom	1	19	 Back Flip down Box - Left	1	34	 Bottom Drawer Panel - Bottom	1
5	 Back Panel - Low	1	20	 Sides Flip down Box (L)	2	35	 Sink	1
6	 Back Panel - Up	1	21	 Sides Flip down Box (R)	2			
7	 Front Rail - Below	1	22	 Front Flip down Box - Right	1			
8	 Front Rail - Above	1	23	 Bottom Flip down Box - Right	1			
9	 Front Rail #1 - Middle	1	24	 Back Flip down Box - Right	1			
10	 Front Rail #2 - Middle	2	25	 Front Drawer Panel - Top	1			
11	 Shelf	1	26	 Sides Drawer Panel - Top (L)	1			
12	 Door	1	27	 Sides Drawer Panel - Top (R)	1			
13	 Racket Panel (L)	1	28	 Back Drawer Panel - Top	1			
14	 Racket Panel (R)	1	29	 Bottom Drawer Panel - Top	1			
15	 Round horizontal Bar	2	30	 Front Drawer Panel - Bottom	1			

ASSEMBLY INSTRUCTIONS

Thank you for purchasing this quality Product. Be sure to check all packing material carefully for small parts, which may have come loose inside carton during shipment. Identify and count all parts and compare with the parts list below.

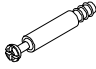



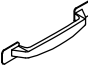

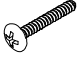
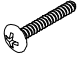
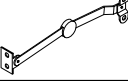
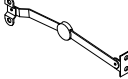
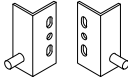



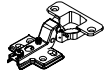



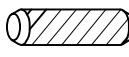
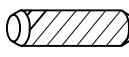






ASSEMBLY INSTRUCTION:

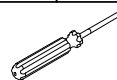
1. Remove hardware from box and sort by size.
2. Please check to see that all hardware and parts are present prior start of assembly.
3. Please follow attached instruction in the same sequence as numbered above for fast and easy assembly.

WARNING!

1. Do not attempt to repair or modify parts that are broken or defective. Please contact the store immediately.
2. This product is for home use only and not intended for commercial establishments.
3. Two persons are required for assembly.
4. Approximate assembly time 1/2 hours.
5. Component parts and fittings contained in the box. Please sort out all parts before you begin to assemble the item. This is to make sure you always use the correct part.
6. It is **STRONGLY RECOMMENDED** that you **ANCHOR** this product to your wall. Tipping furniture can cause serious injuries and death. To prevent your furniture from tipping forward it is strongly recommended that you securely attach this product to a wall or other solid surface, using the anchor straps provided appropriate fixings.

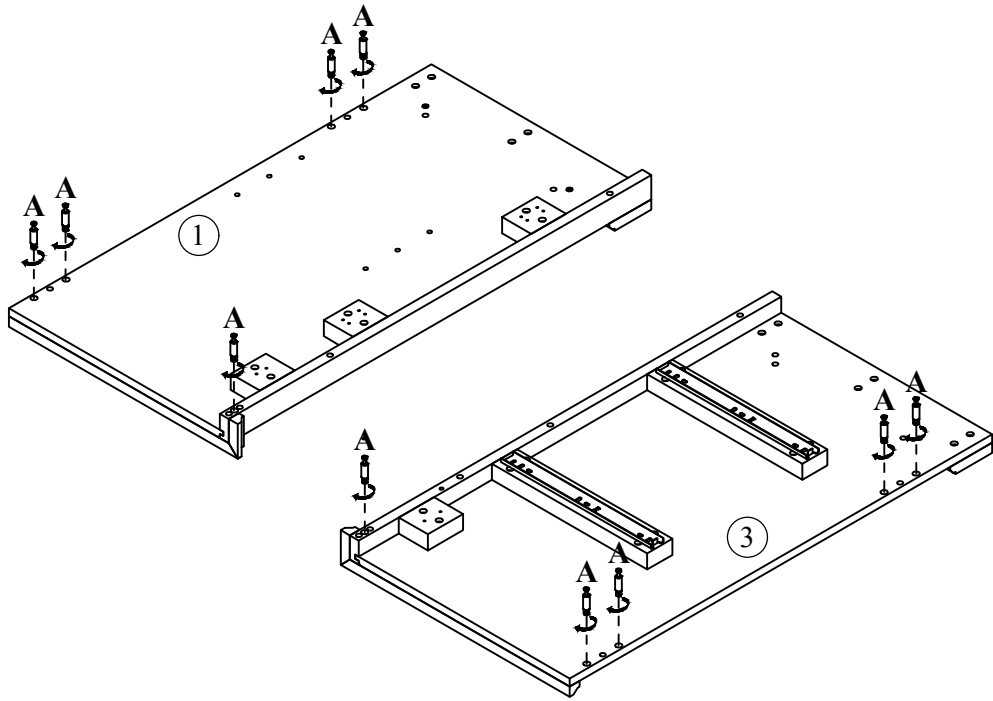
No.	Hardware	Q'ty
A	 Cam Lock Screws	25
B	 Cam Lock	25
C	 Screws $\varnothing 8 \times \varnothing 4 \times 25 \text{mm}$	5
D	 Screws $\varnothing 8 \times \varnothing 4 \times 32 \text{mm}$	38
E	 Handle	5
F	 Handle	1
G	 Screws $\varnothing 5/32" \times 25 \text{mm}$	8
H	 Screws $\varnothing 5/32" \times 28 \text{mm}$	1
I	 Rod Support hinges - Left	1
J	 Rod Support hinges - Right	1
K	 Swivel Hinges (L/R)	4
L	 Screws $\varnothing 6 \times \varnothing 3 \times 12 \text{mm}$	16

No.	Hardware	Q'ty
M	 Hinges	2
N	 Screws $\varnothing 7 \times \varnothing 3.5 \times 12 \text{mm}$	12
O	 Shelf Support	4
P	 Screws $\varnothing 7 \times \varnothing 3.5 \times 12 \text{mm}$	4
Q	 Wooden $\varnothing 6 \times 30 \text{mm}$	8
R	 Wooden $\varnothing 8 \times 30 \text{mm}$	38
S	 Allen Bolts $1/4" \times 30$	4
T	 Flat Washers $1/4" \times 16 \times 2$	4
U	 Lock washers $1/4" \times 11 \times 2$	4
V	 Allen key	1
W	 Anti fall hardware (sets)	1
X	 Screws $\varnothing 5/32" \times 15 \text{mm}$	2



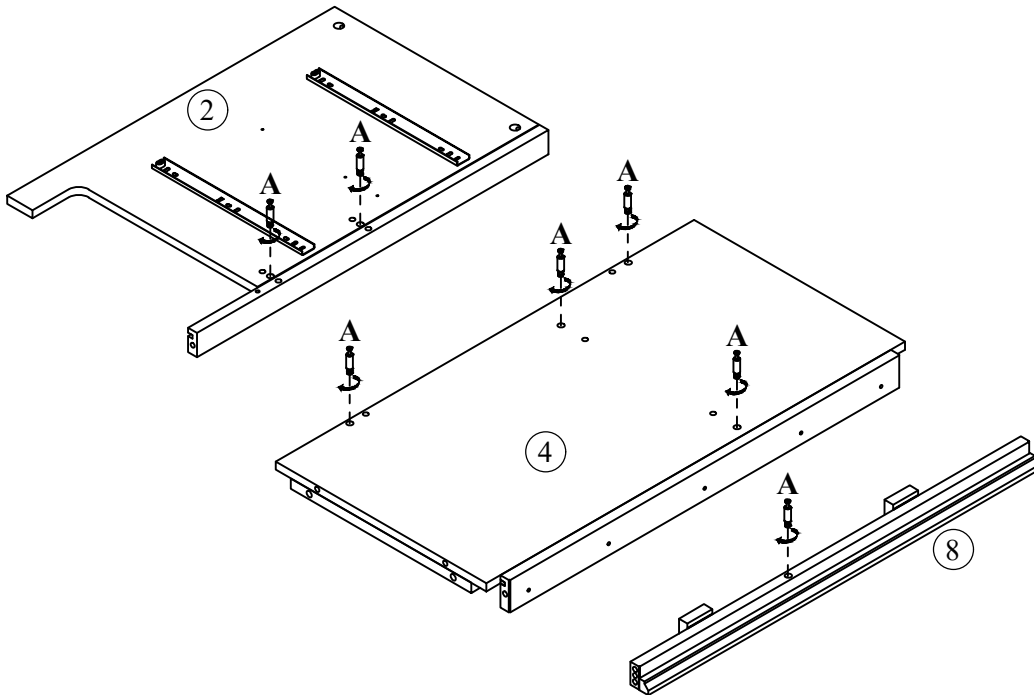
Not Included

Step 1



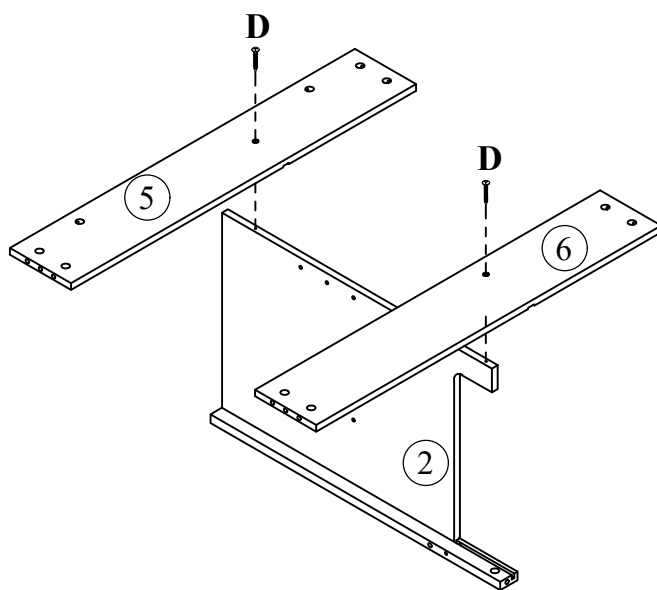
No	Hardware	Q'ty
A	Cam Lock Screws	10

Step 2



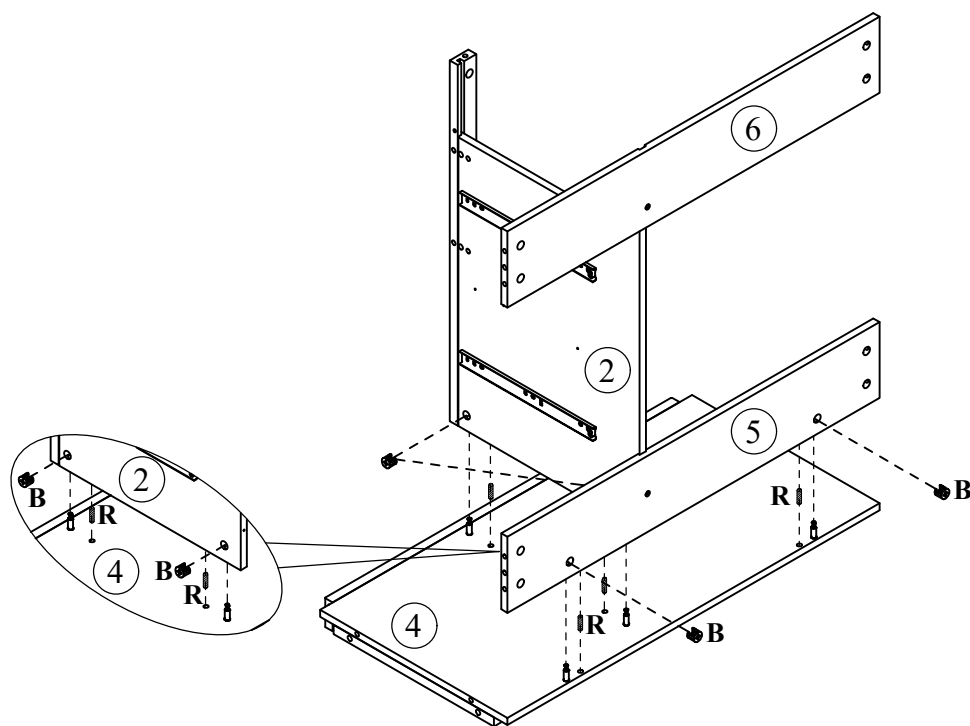
No	Hardware	Q'ty
A	Cam Lock Screws	7

Step 3



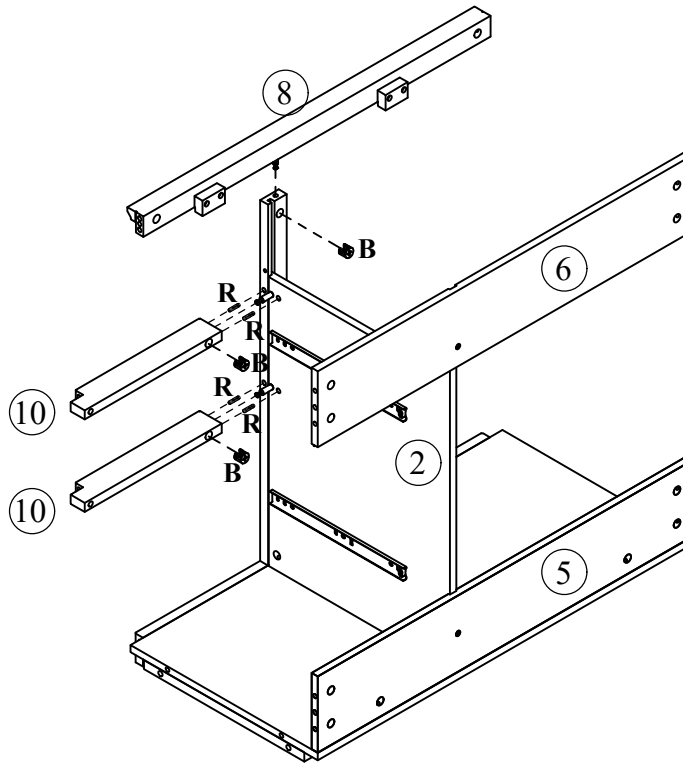
No	Hardware	Q'ty
D	Screws $\varnothing 8 \times \varnothing 4 \times 32 \text{mm}$	2

Step 4



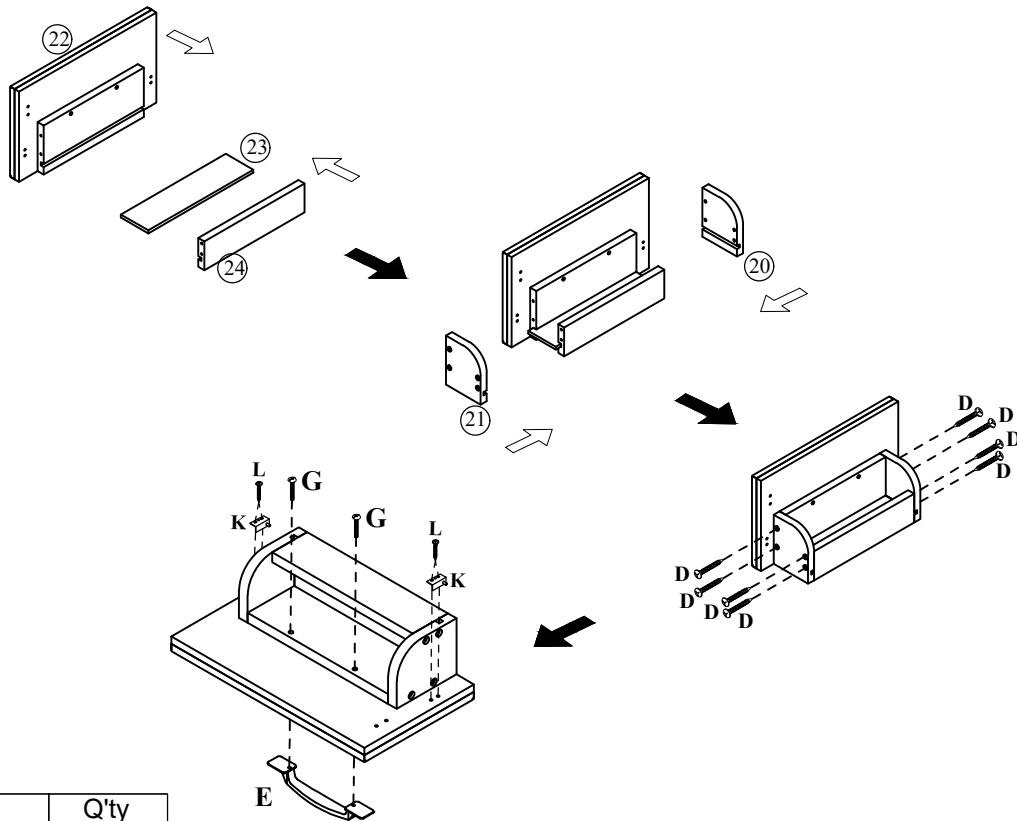
No	Hardware	Q'ty
B	Cam Lock	4
R	Wooden $\varnothing 8 \times 30 \text{mm}$	4

Step 5



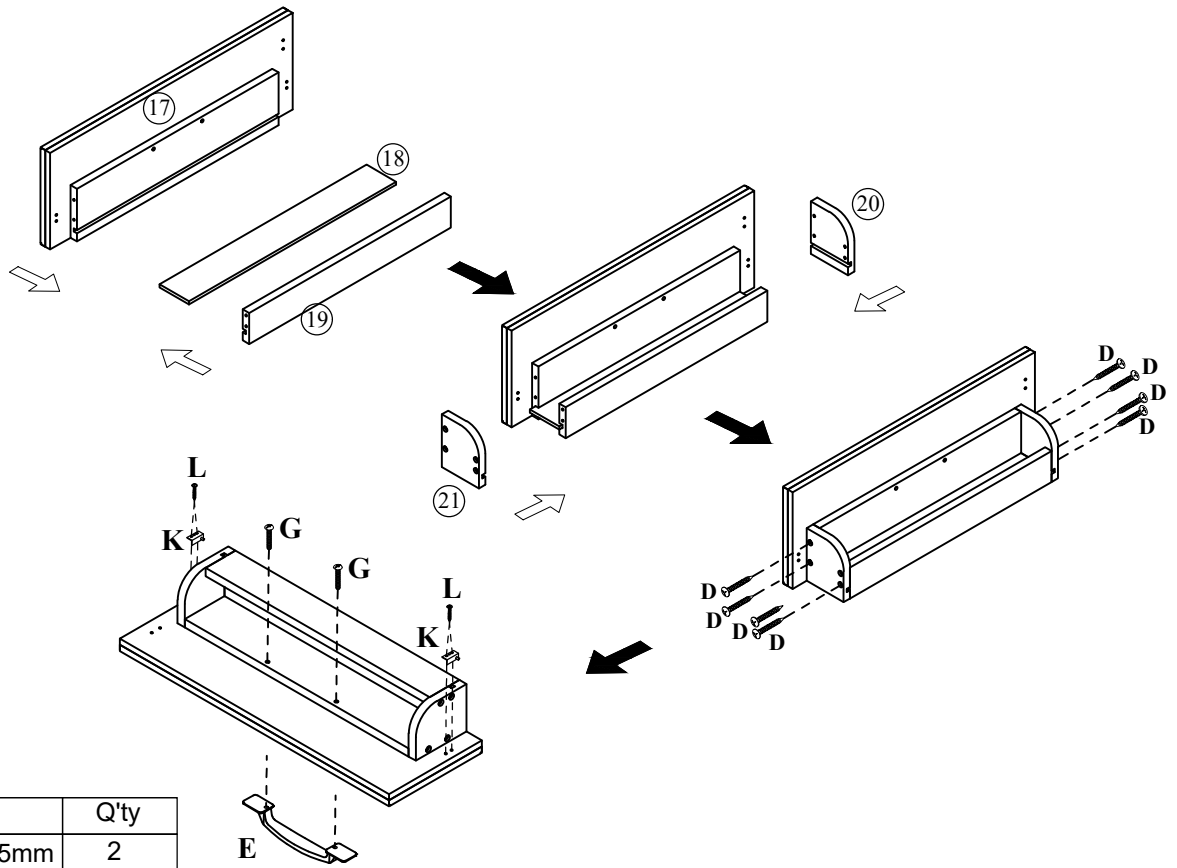
No	Hardware	Q'ty
B	Cam Lock	3
R	Wooden ø8x30mm	4

Step 6



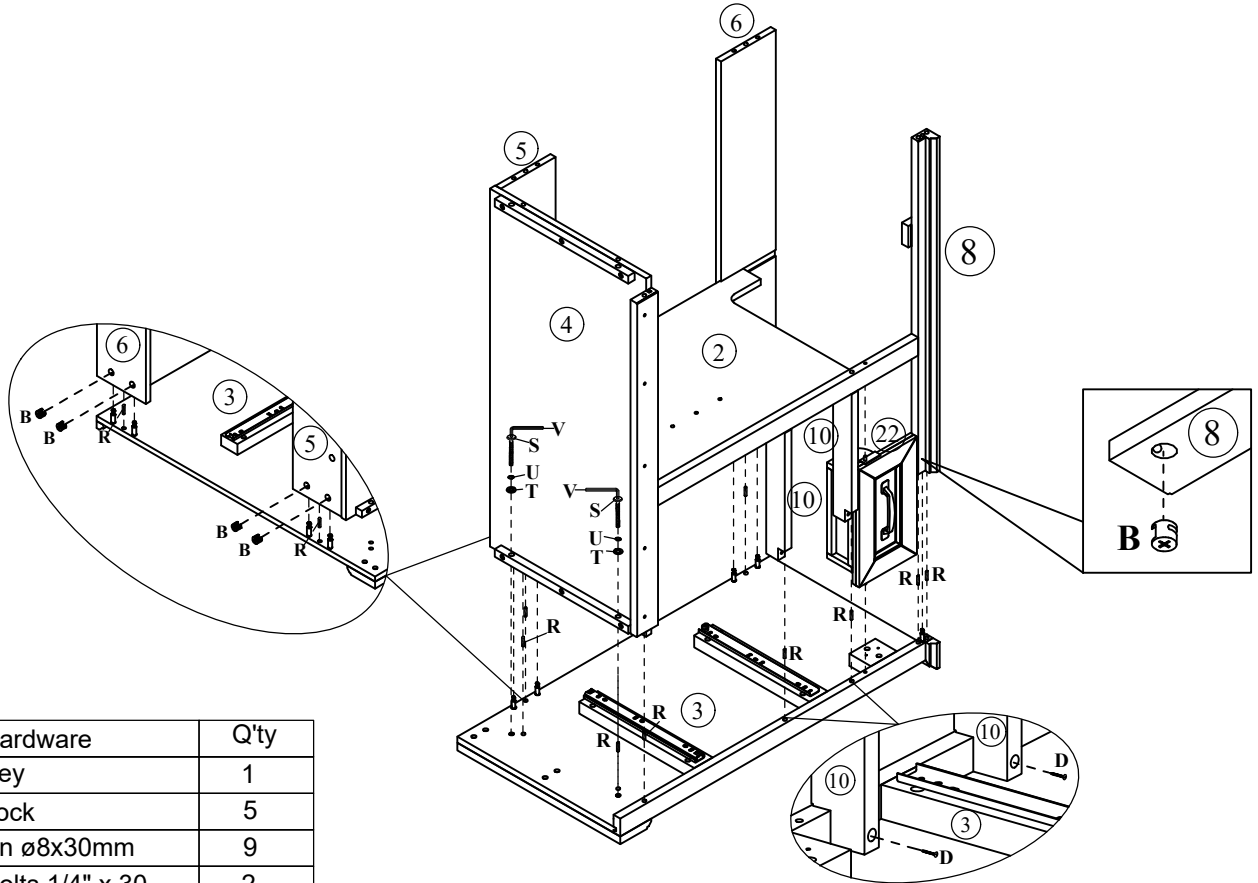
No	Hardware	Q'ty
G	Screws ø5/32"x25mm	2
E	Handle	1
K	Swivel Hinges (L/R)	2
L	Screws ø6xø3x12mm	4
D	Screws ø8xø4x32mm	8

Step 7



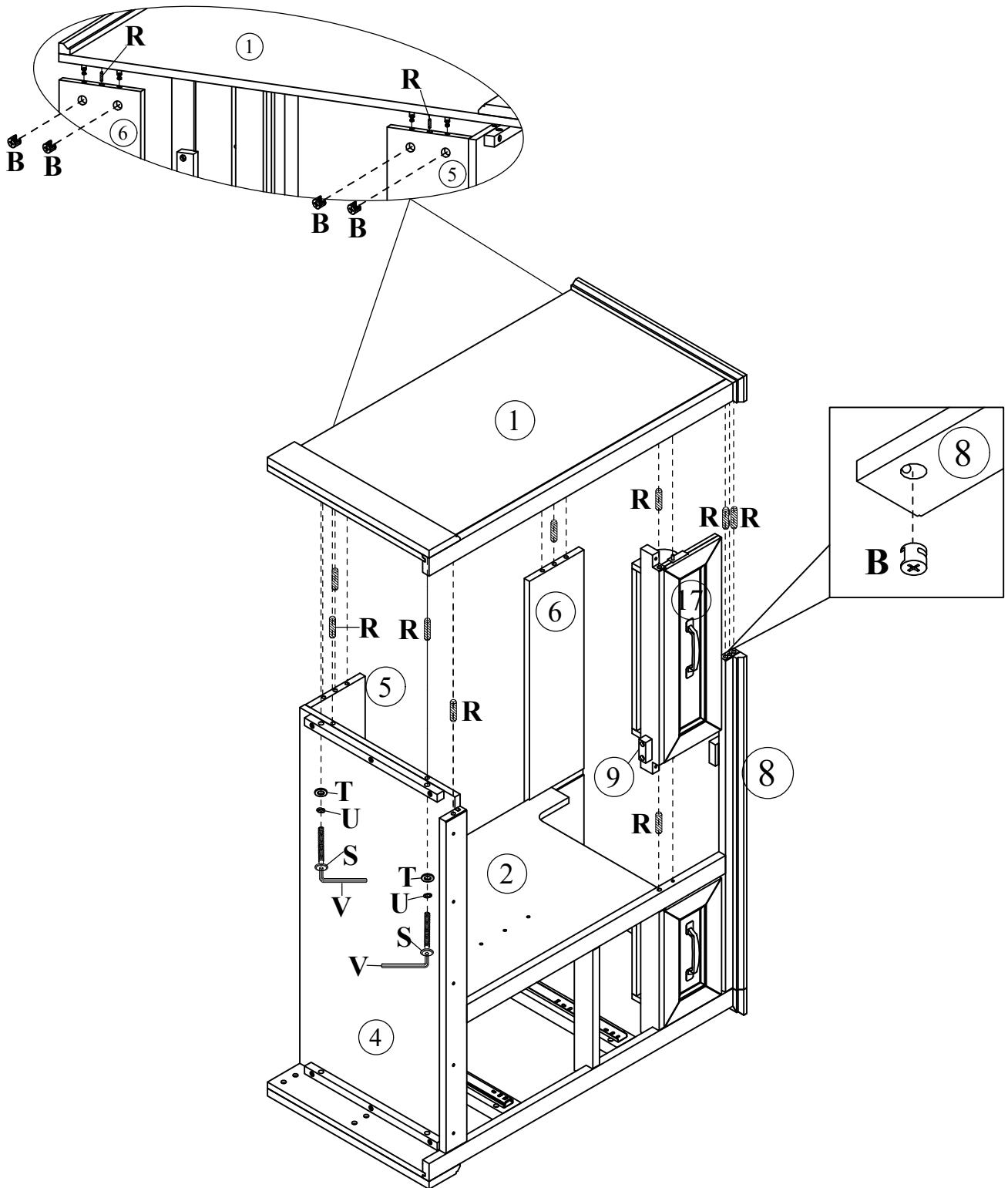
No	Hardware	Q'ty
G	Screws $\phi 5/32"$ x25mm	2
E	Handle	1
K	Swivel Hinges (L/R)	2
L	Screws $\phi 6$ x $\phi 3$ x12mm	4
D	Screws $\phi 8$ x $\phi 4$ x32mm	8

Step 8



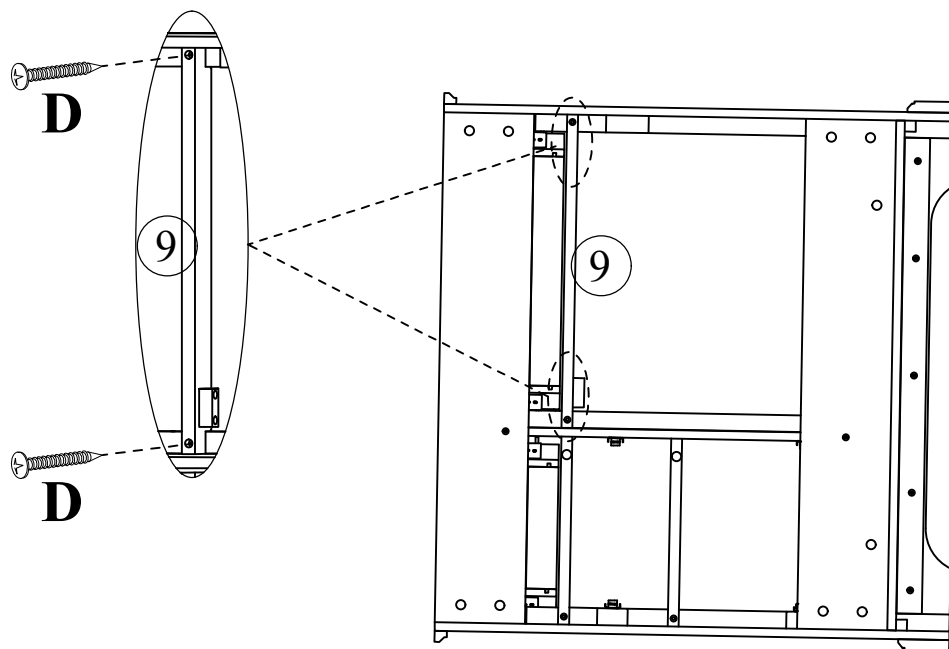
No	Hardware	Q'ty
V	Allen key	1
B	Cam Lock	5
R	Wooden $\phi 8$ x30mm	9
S	Allen Bolts 1/4" x 30	2
U	Flat Washers 1/4"x16x2	2
T	Flat Washers 1/4"x16x2	2
D	Screws $\phi 8$ x $\phi 4$ x32mm	2

Step 9



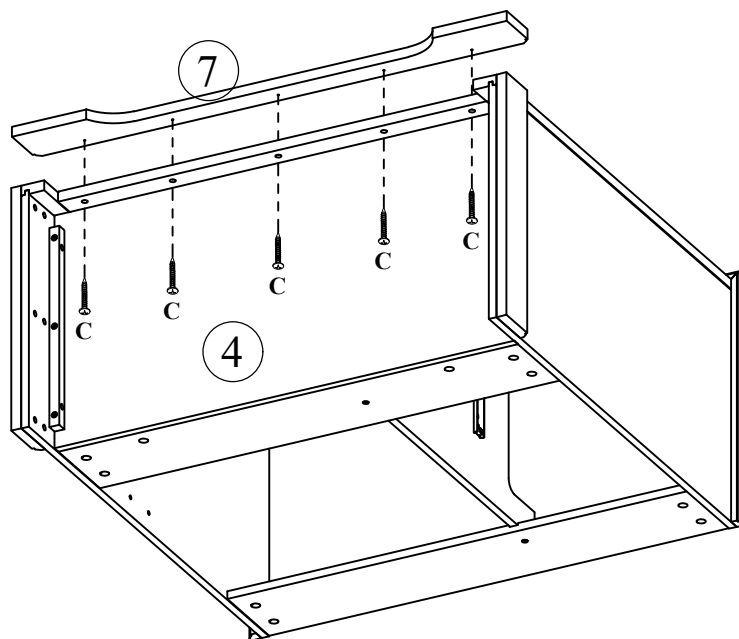
No	Hardware	Q'ty
V	Allen key	1
B	Cam Lock	5
R	Wooden $\varnothing 8 \times 30 \text{mm}$	9
S	Allen Bolts $1/4" \times 30$	2
U	Flat Washers $1/4" \times 16 \times 2$	2
T	Flat Washers $1/4" \times 16 \times 2$	2
D	Screws $\varnothing 8 \times \varnothing 4 \times 32 \text{mm}$	2

Step 10



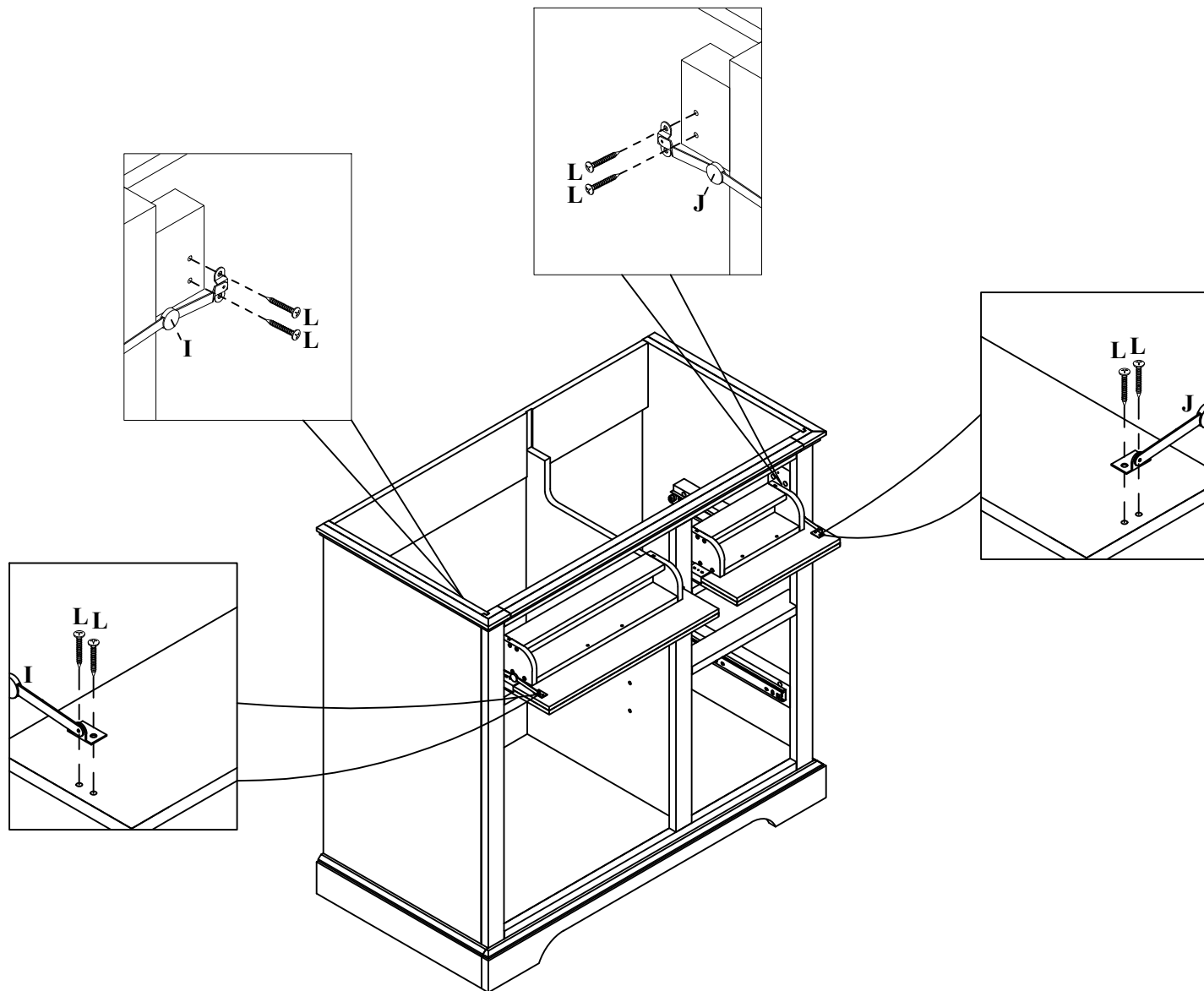
No	Hardware	Q'ty
D	Screws $\varnothing 8 \times \varnothing 4 \times 32 \text{mm}$	2

Step 11



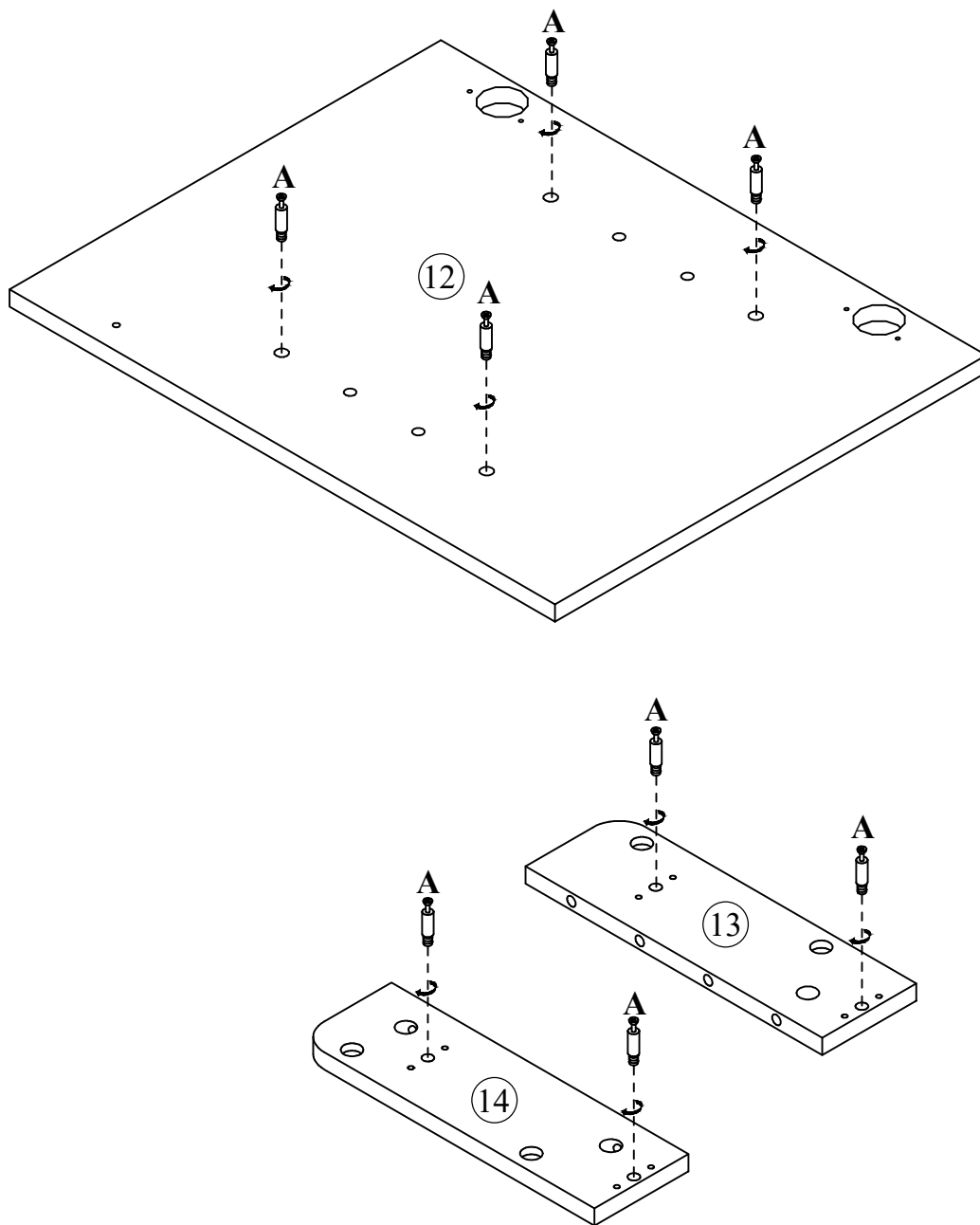
No	Hardware	Q'ty
C	Screws $\varnothing 8 \times \varnothing 4 \times 25 \text{mm}$	5

Step 12



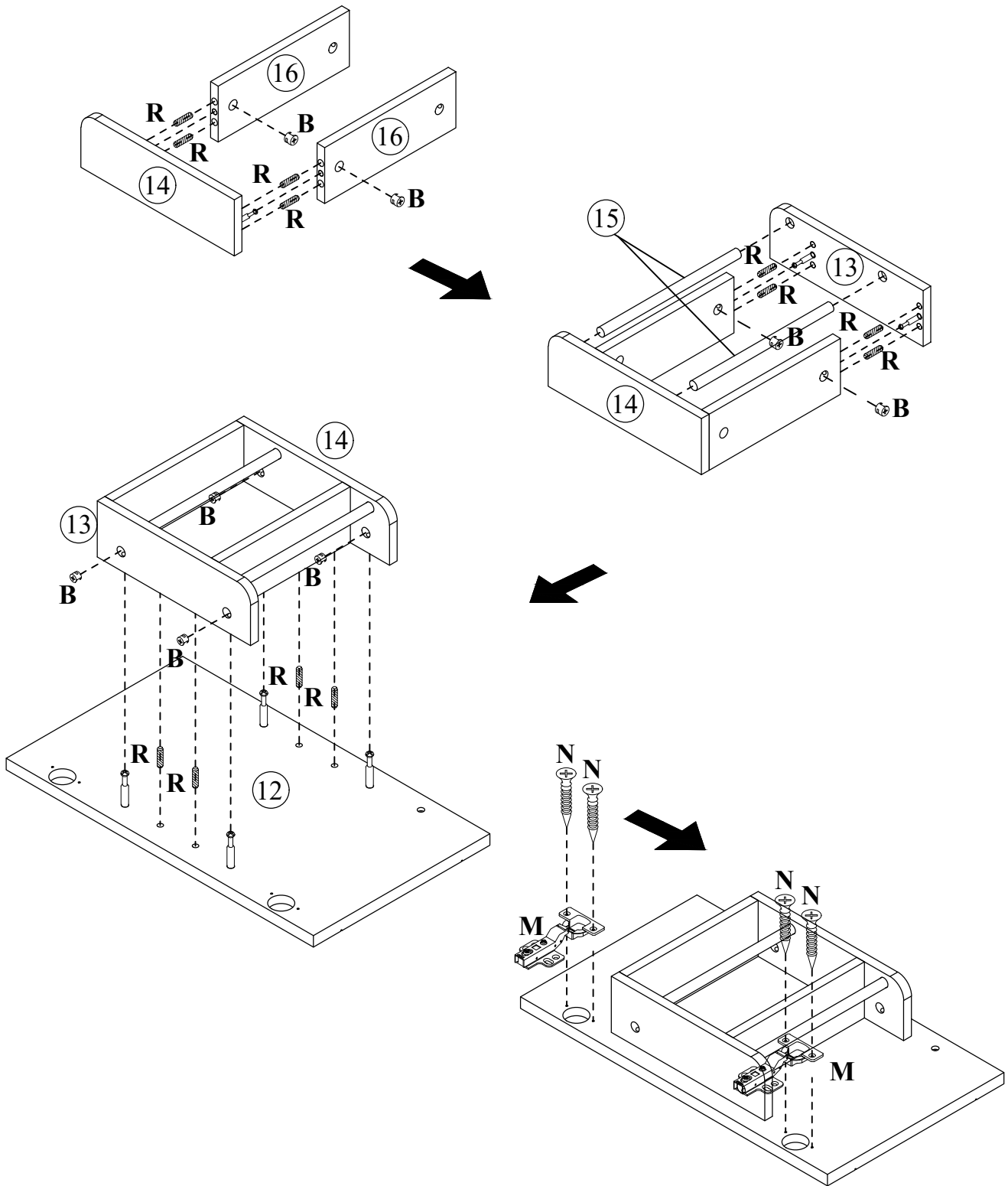
No	Hardware	Q'ty
I	Rod Support hinges - Left	1
J	Rod Support hinges - Right	1
L	Screws $\varnothing 6 \times \varnothing 3 \times 12 \text{mm}$	8

Step 13



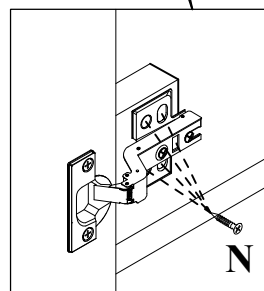
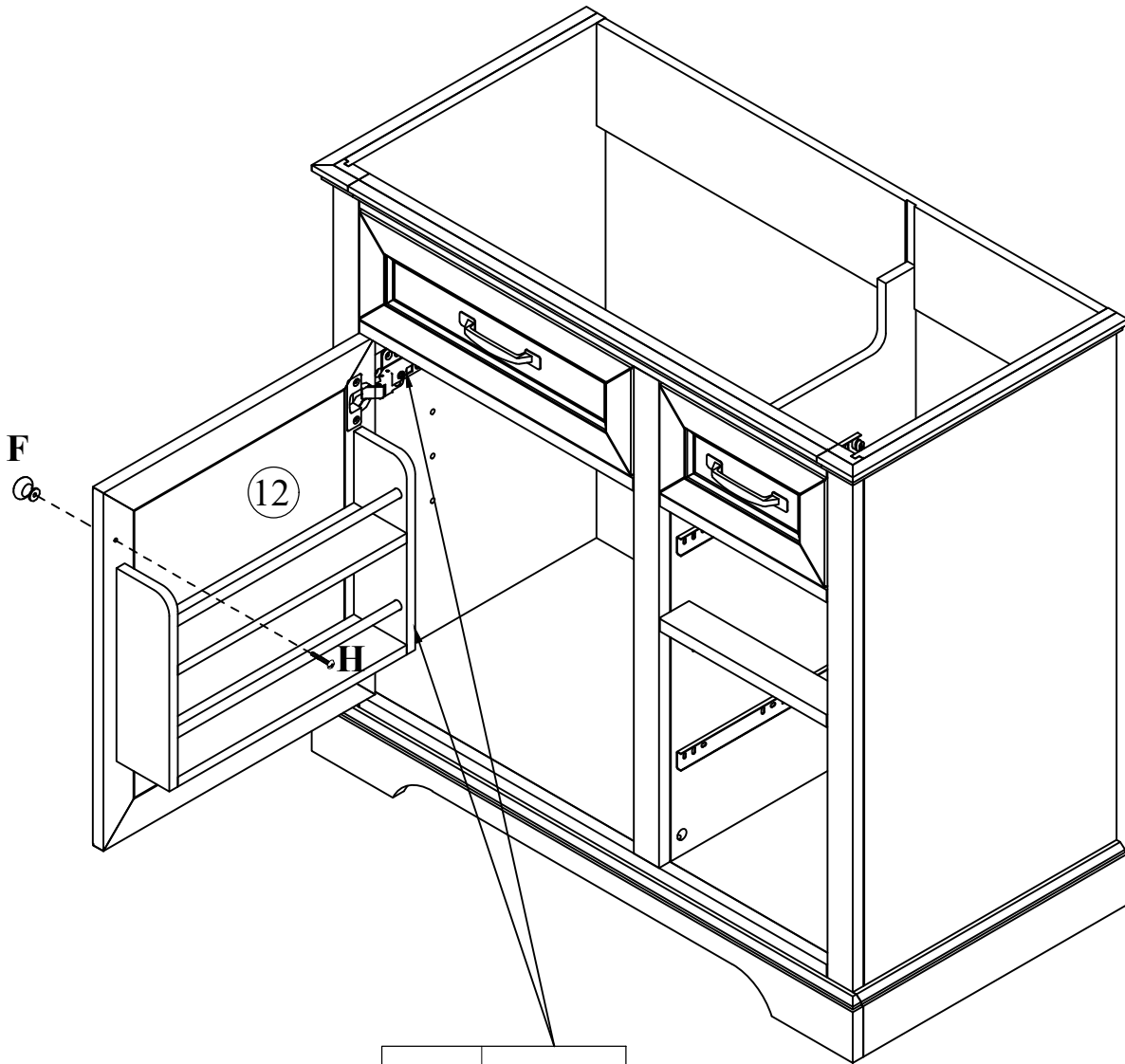
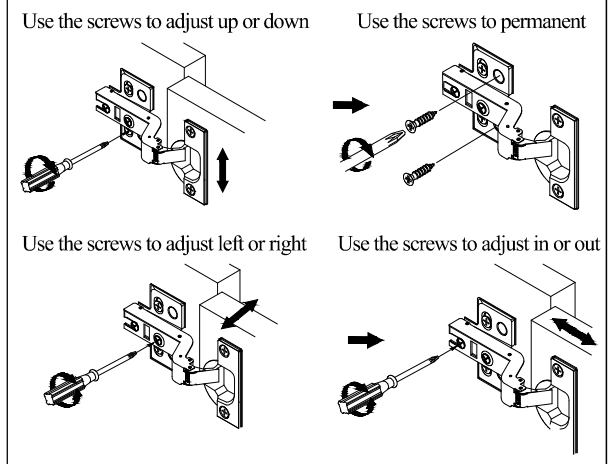
No	Hardware	Q'ty
A	Cam Lock Screws	8

Step 14



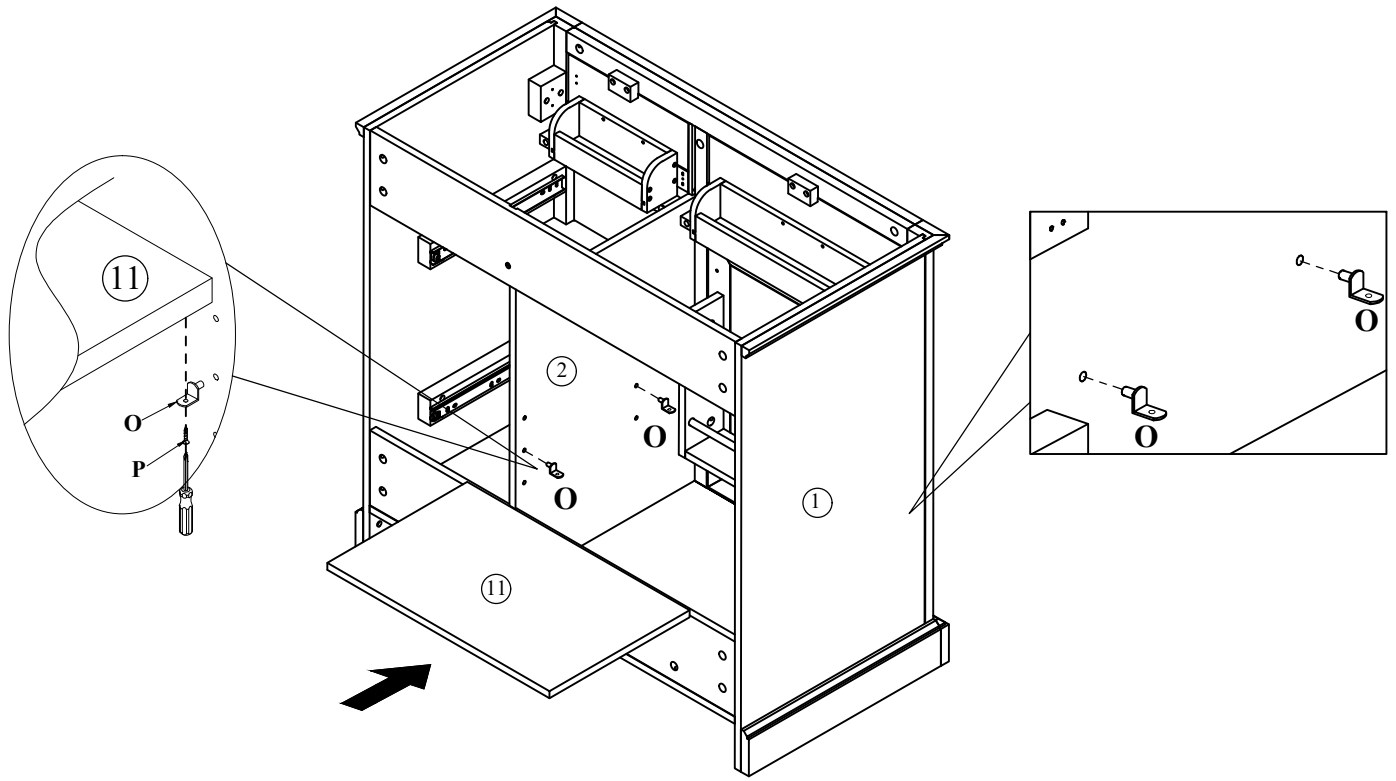
No	Hardware	Q'ty
B	Cam Lock	8
R	Wooden $\varnothing 8 \times 30 \text{mm}$	12
M	Hinges	2
N	Screws $\varnothing 7 \times \varnothing 3.5 \times 12 \text{mm}$	4

Step 15



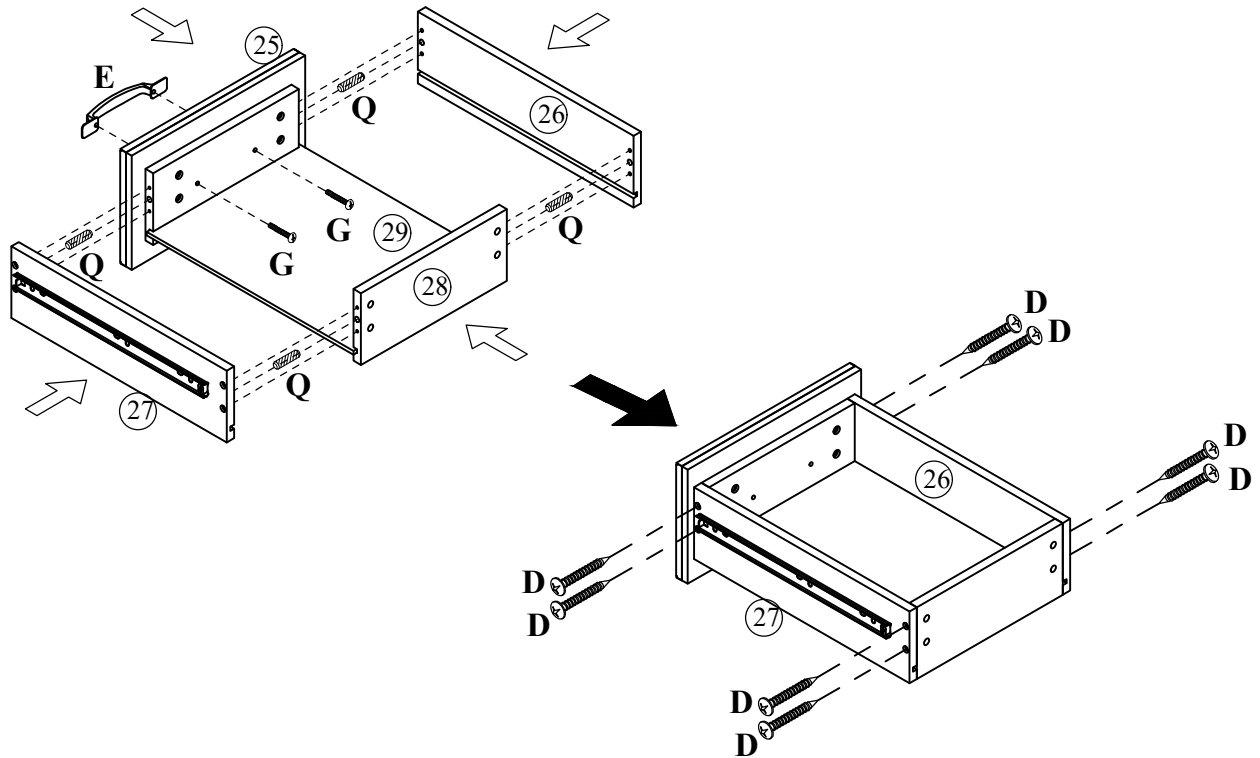
No	Hardware	Q'ty
H	Screws $\phi 5/32 \times 28\text{mm}$	1
F	Handle	1
N	Screws $\phi 7 \times \phi 3.5 \times 12\text{mm}$	8

Step 16



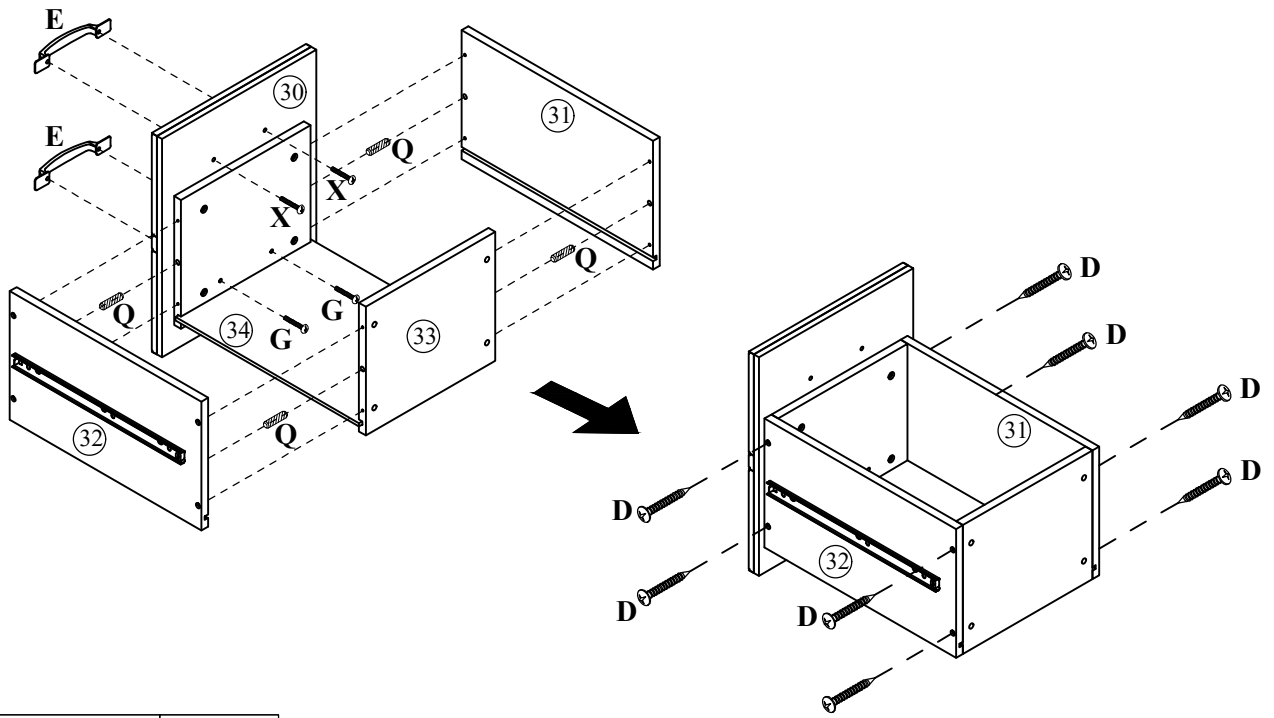
No	Hardware	Q'ty
O	Shelf Support	4
P	Screws $\varnothing 7 \times \varnothing 3.5 \times 12 \text{mm}$	4

Step 17



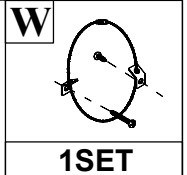
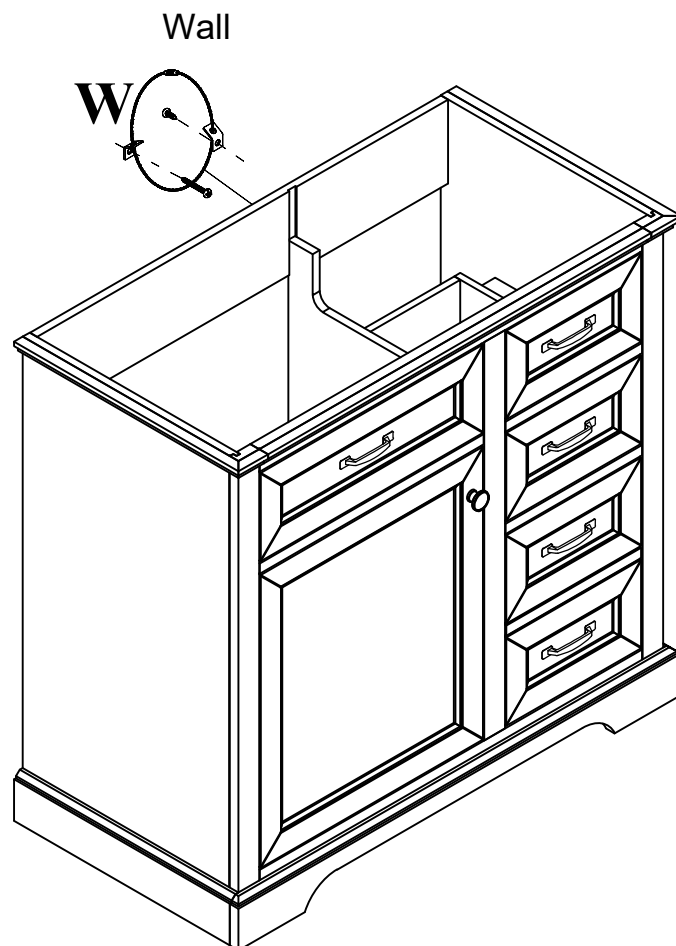
No	Hardware	Q'ty
Q	Wooden $\varnothing 6 \times 30 \text{mm}$	4
G	Screws $\varnothing 5/32" \times 25 \text{mm}$	2
E	Handle	1
D	Screws $\varnothing 8 \times \varnothing 4 \times 32 \text{mm}$	8

Step 18

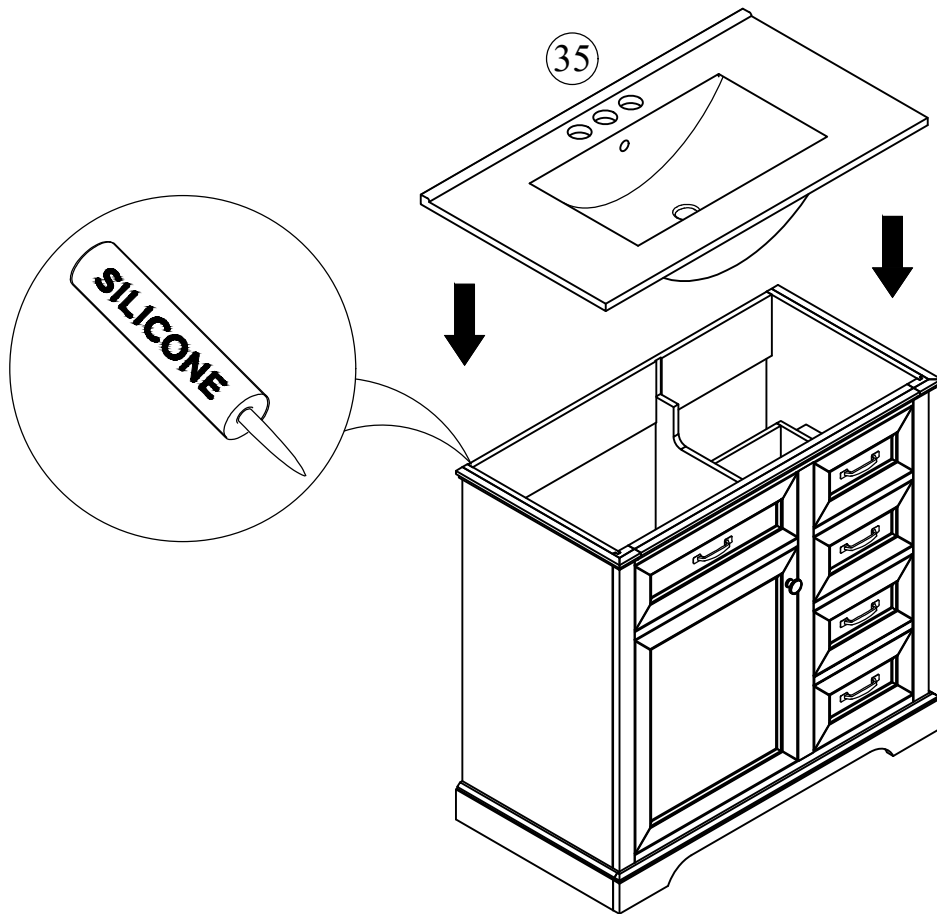


No	Hardware	Q'ty
G	Screws $\varnothing 5/32 \times 25\text{mm}$	2
X	Screws $\varnothing 5/32 \times 15\text{mm}$	2
E	Handle	2
Q	Wooden $\varnothing 6 \times 30\text{mm}$	4
D	Screws $\varnothing 8 \times 4 \times 32\text{mm}$	8

Step 19



Step 20



Step 21

