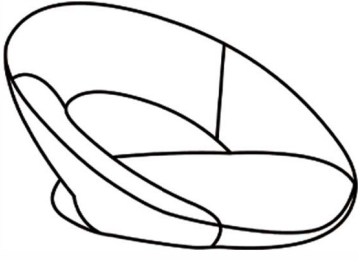



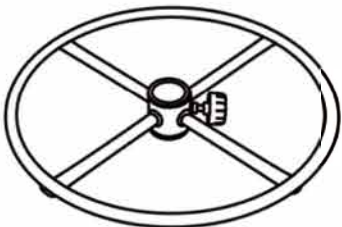



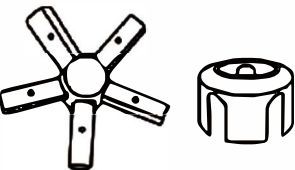




Drafting Chair

INSTALLATION MANUAL

Accessories List

<p>(1) Seat</p> 	<p>(2) 5 Split Base Tubes</p> 	<p>(3) 5 Castors</p> 
<p>(4) Air Rod</p> 	<p>(5) Foot Ring</p> 	<p>(6) Base Plate</p> 
<p>(7) 9 Screws (M6*20mm)</p> 	<p>(8) Hexagon Wrench</p> 	<p>(9) Central Base Tube</p> 

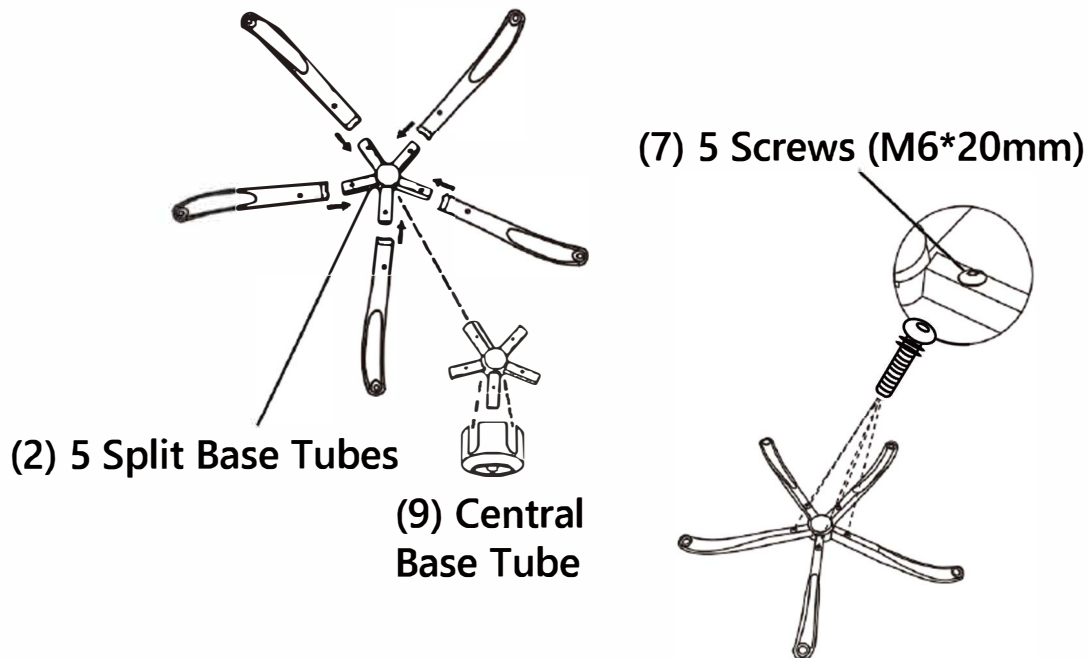
Safety Instructions

- Secure all parts firmly before use.
- Check and tighten all parts every 90 days.
- Keep away from open flames and flammable chemicals.
- Do not stand on the chair.
- Keep small children and pets away during assembly.
- Use only as instructed to avoid voiding the warranty.

Assembly Instruction

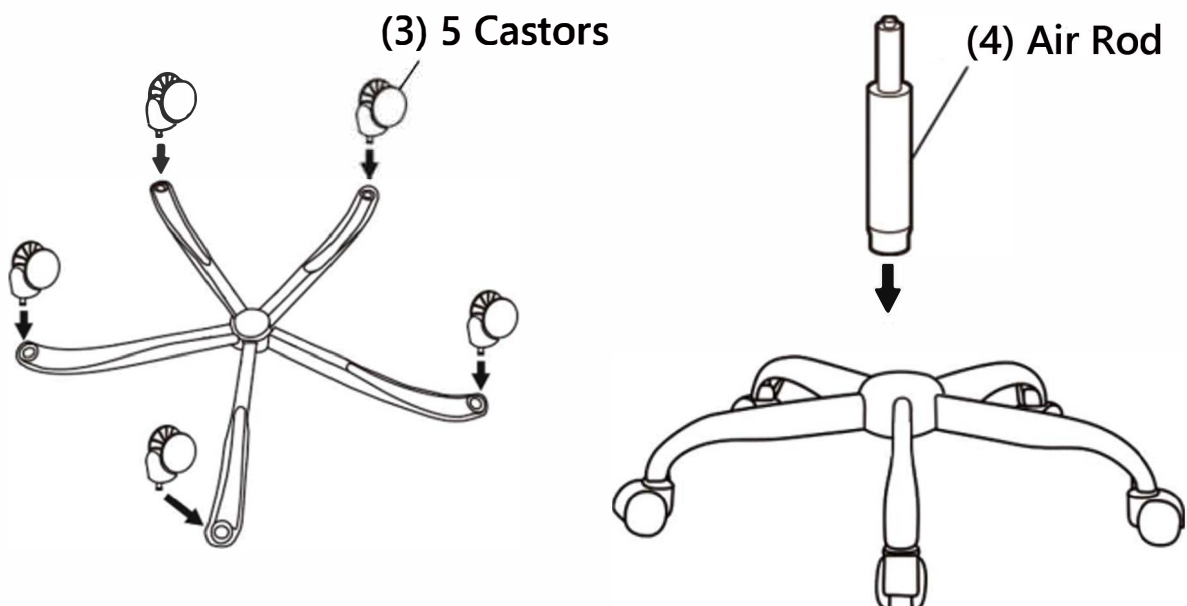
Step 1

Insert the 5 split base tubes (2) into the central base tube (9) respectively, then secure them with 5 M6*20mm screws (7).



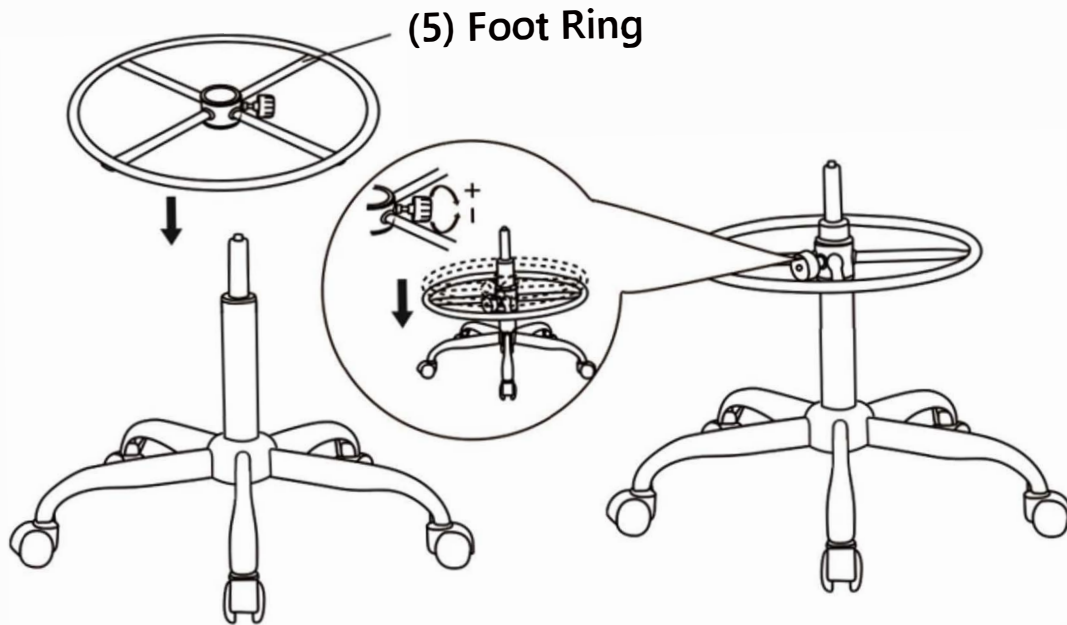
Step 2

Insert 5 castors (3) firmly into the split base tubes (2), and insert the air rod (4) into the hole of the central base tube (9) as shown.



Step 3

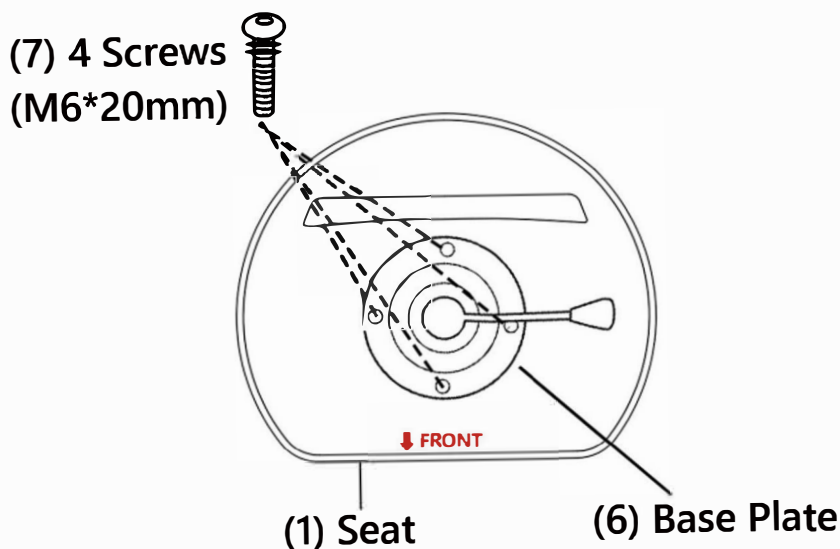
Insert the foot ring (5) onto the assembled air rod (4) at your desired height, ensuring it is at least one inch below the top of the outer circle of the air rod (4). Then, tighten the knob on the foot ring (5) until it is securely fixed.



Step 4

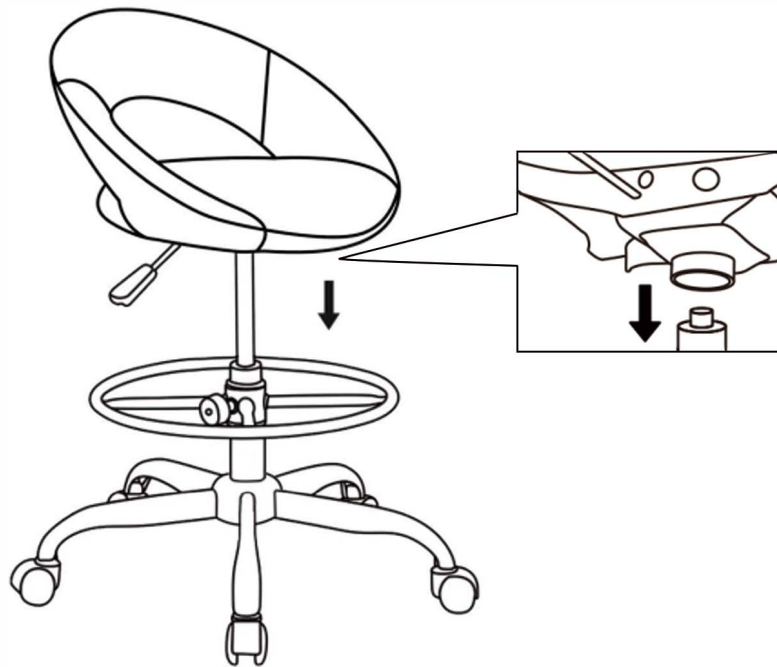
Attach the base plate (6) to the bottom of the seat (1), then securely tighten the 4 M6*20mm screws (7) using the hexagon wrench (8).

***IMPORTANT:** Please ensure the base plate (6) is oriented correctly—the side lever must end up at the right of the chair.



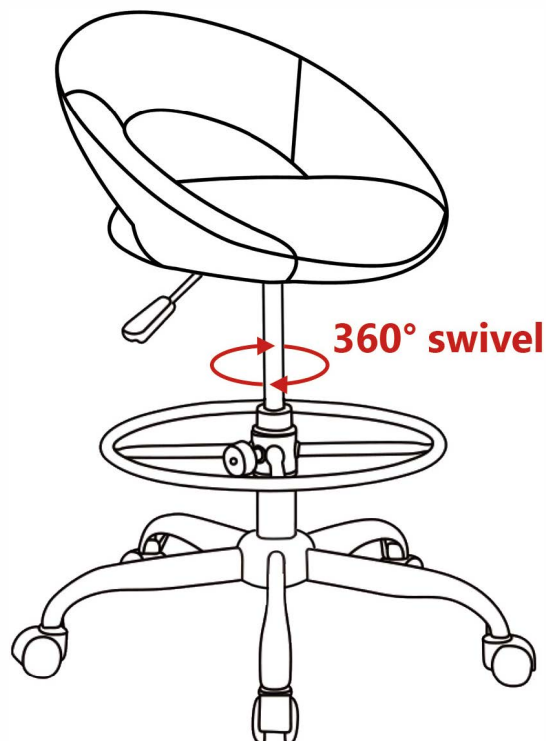
Step 5

Align the hole on the base plate (6) with the air rod (4), then press the seat (1) downward from the top until it locks into place.

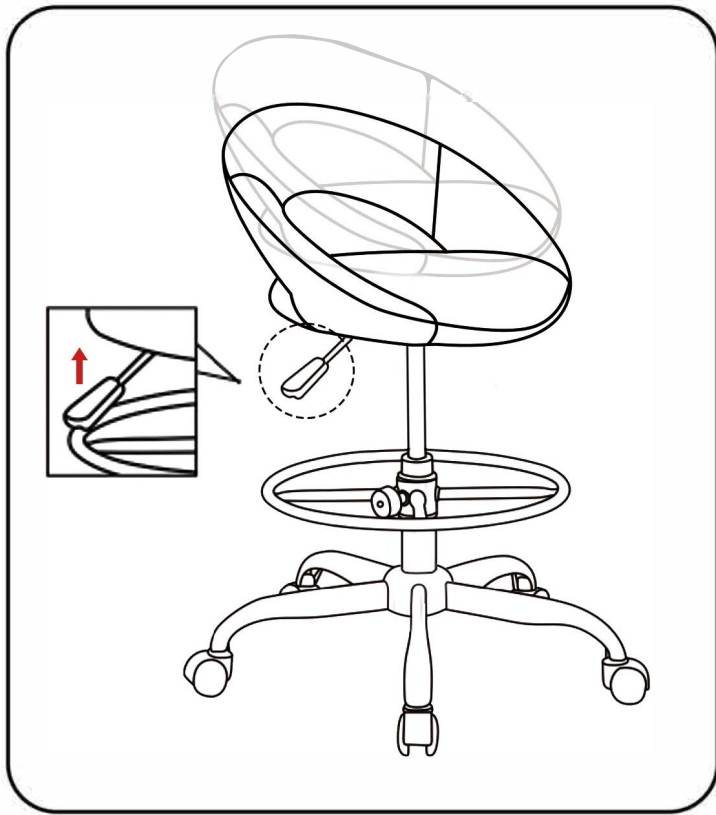


Step 6

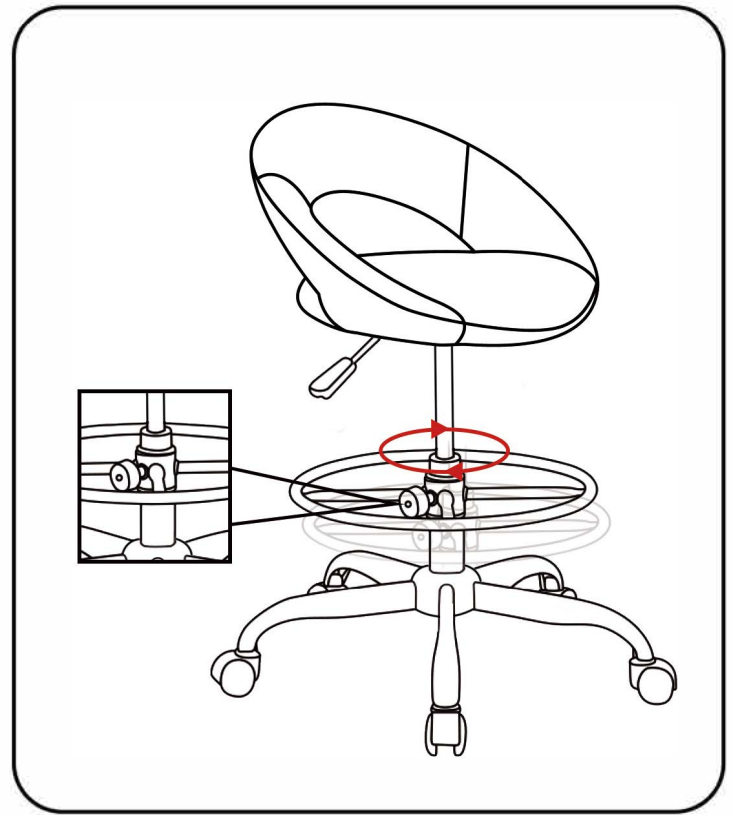
Congratulations! Assembly complete!



Instructions for Use



Height Adjustment



Foot Ring Adjustment

Thank you for choosing our product!

Before assembling, please:

√ Check that all parts are included (9 total).

√ Assemble in order.

If anything is missing, contact us anytime—we're happy to help!