

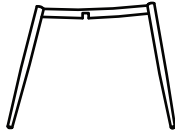
Upholstered Chair

Assembly Instructions
Instrucciones De Asamblea
Instructions d'Assemblée

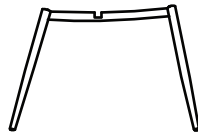
PARTS



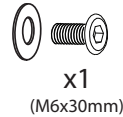
A



B

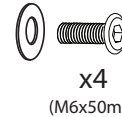


C



x1
(M6x30mm)

F



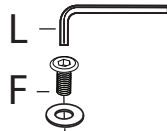
x4
(M6x50mm)

G

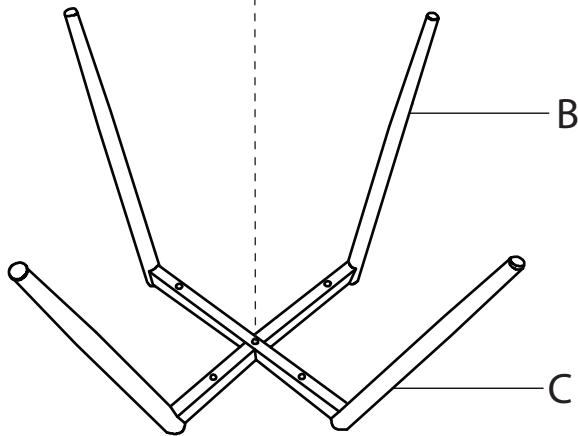


L

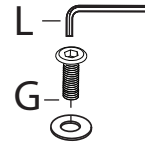
1



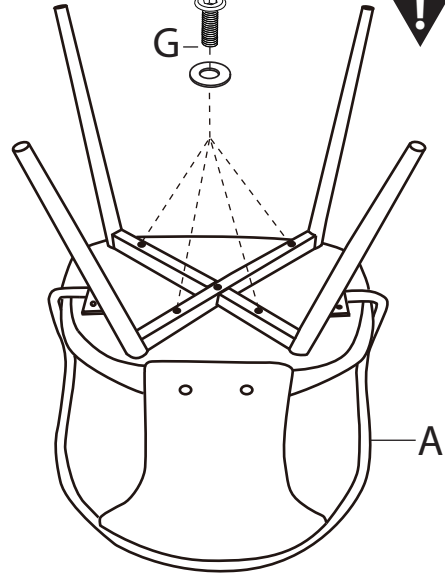
! **80%**
tighten



2

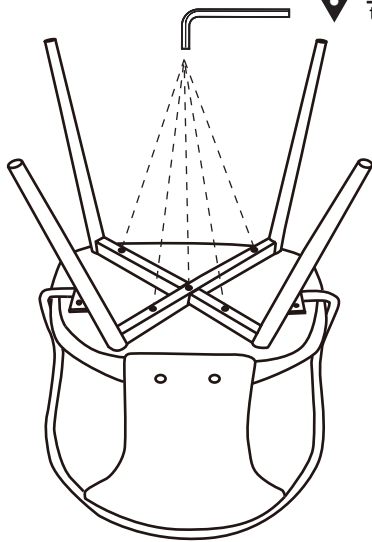


! **80%**
tighten

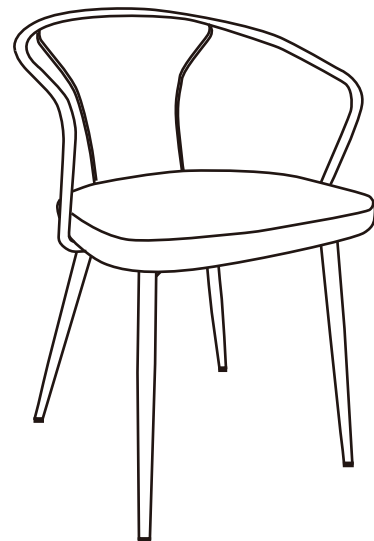


3

! **100%**
tighten



4



Do not over tighten.
Do not use power tools to assemble.