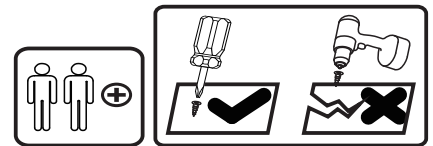
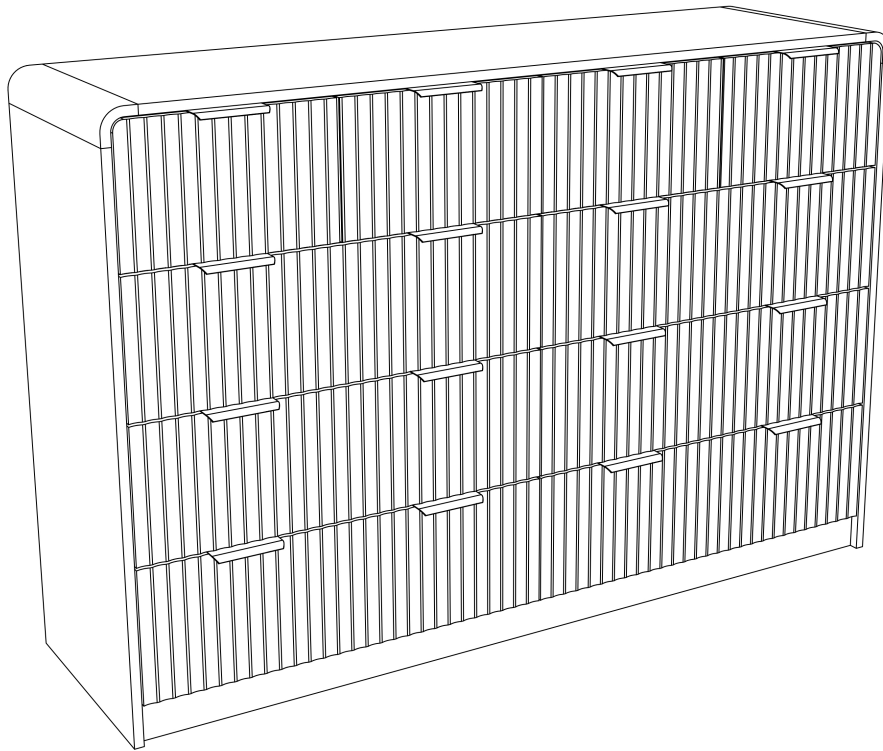


ASSEMBLY INSTRUCTIONS



Tools Recommended

THIS INSTRUCTIONS CONTAINS IMPORTANT SAFETY INFORMATION.
PLEASE READ BEFORE ASSEMBLY AND KEEP FOR FUTURE REFERENCE.

IMPORTANT NOTICE

- This product contains small components, please ensure that they are kept away from small children.
- THIS INSTRUCTIONS CONTAINS IMPORTANT SAFETY INFORMATION.
PLEASE READ BEFORE ASSEMBLY AND KEEP FOR FUTURE REFERENCE.
- Read each step carefully. It is very important that each step of instruction is performed in the correct order. If these steps are not followed in sequence, assembly difficulties will occur.
- Make sure all parts are included. Most parts are labelled or stamped on the raw edge.
- Work in spacious area, preferably on a carpet, near the place the unit will be used.
- Do not use power tools to assemble your furniture. Power tools may strip or damage the parts.
- Move your new furniture carefully, with two people lift and carry the unit to it's new location.
- Never push, drag or pull your furniture (especially on carpet)



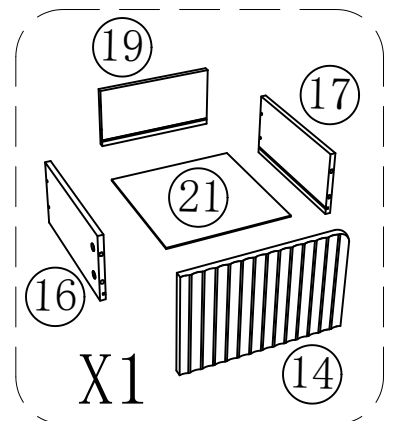
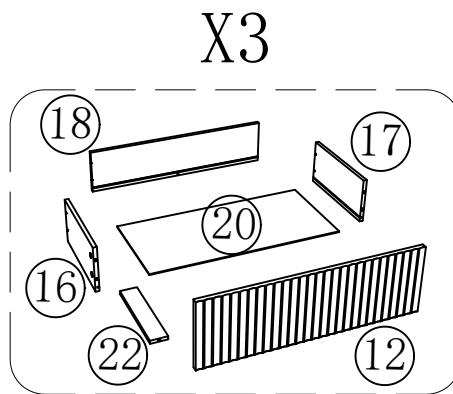
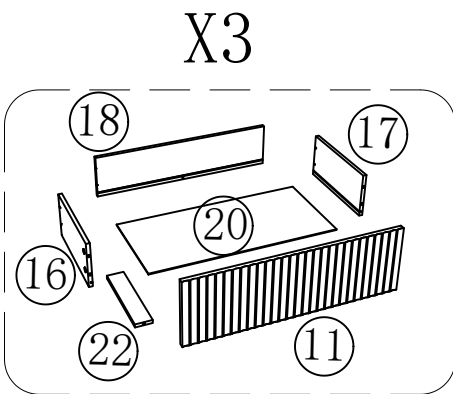
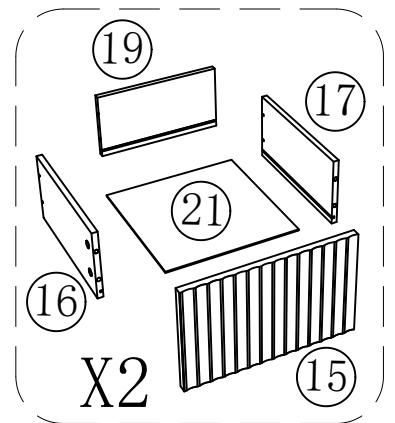
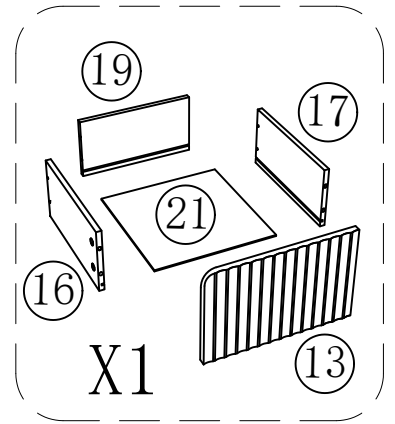
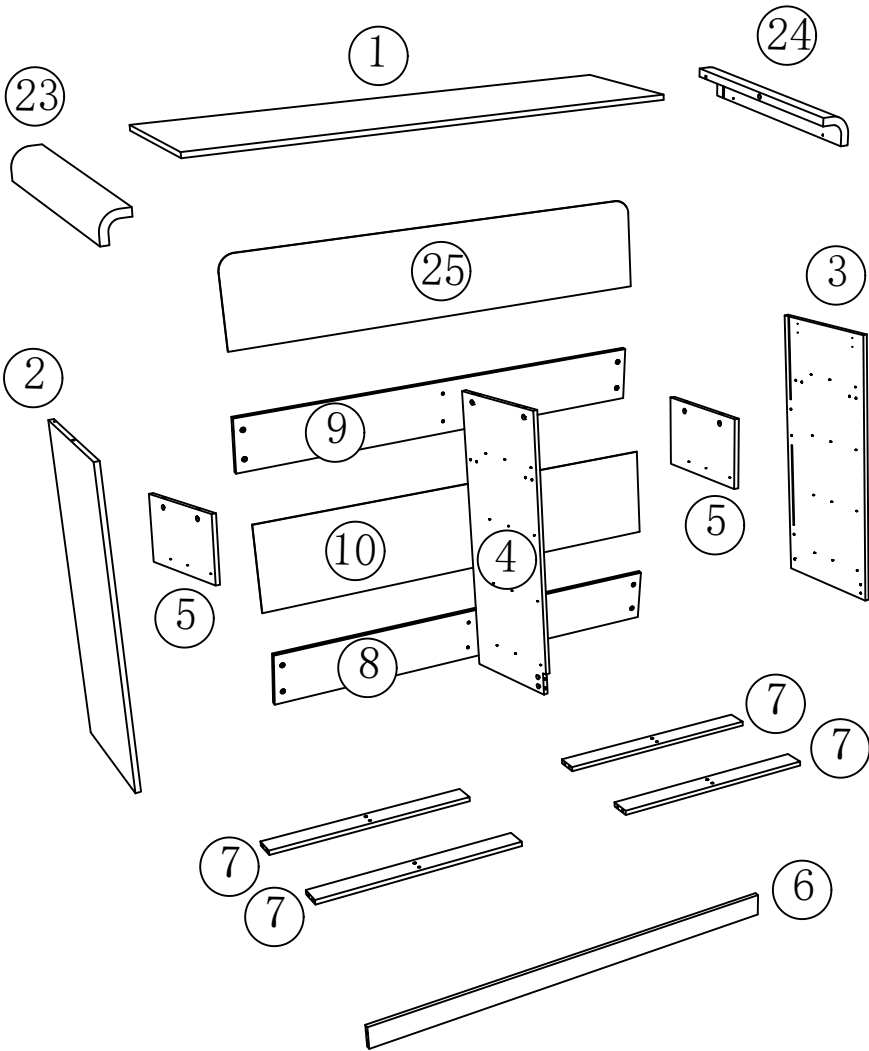
PLEASE DO NOT RETURN PRODUCT TO US IMMEDIATELY

If a part is missing or damaged, email our customer service.
We will gladly ship your replacement parts FREE of charge.

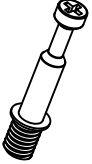



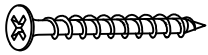

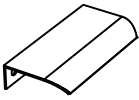
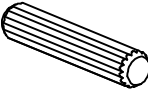
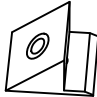
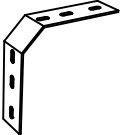

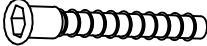
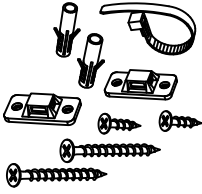





For Prompt, reliable service, please have your assemble instruction ready.

 WARNING	
	<p>Children have died from furniture tipover. To reduce the risk of furniture tipover:</p> <ul style="list-style-type: none">• ALWAYS install tipover restraint provided.• NEVER put a TV on this product.• NEVER allow children to stand, climb or hang on drawers, doors, or shelves.• NEVER open more than one drawer at a time.• Place heaviest items in the lowest drawers.
	


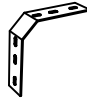


EXPLODED DRAWING

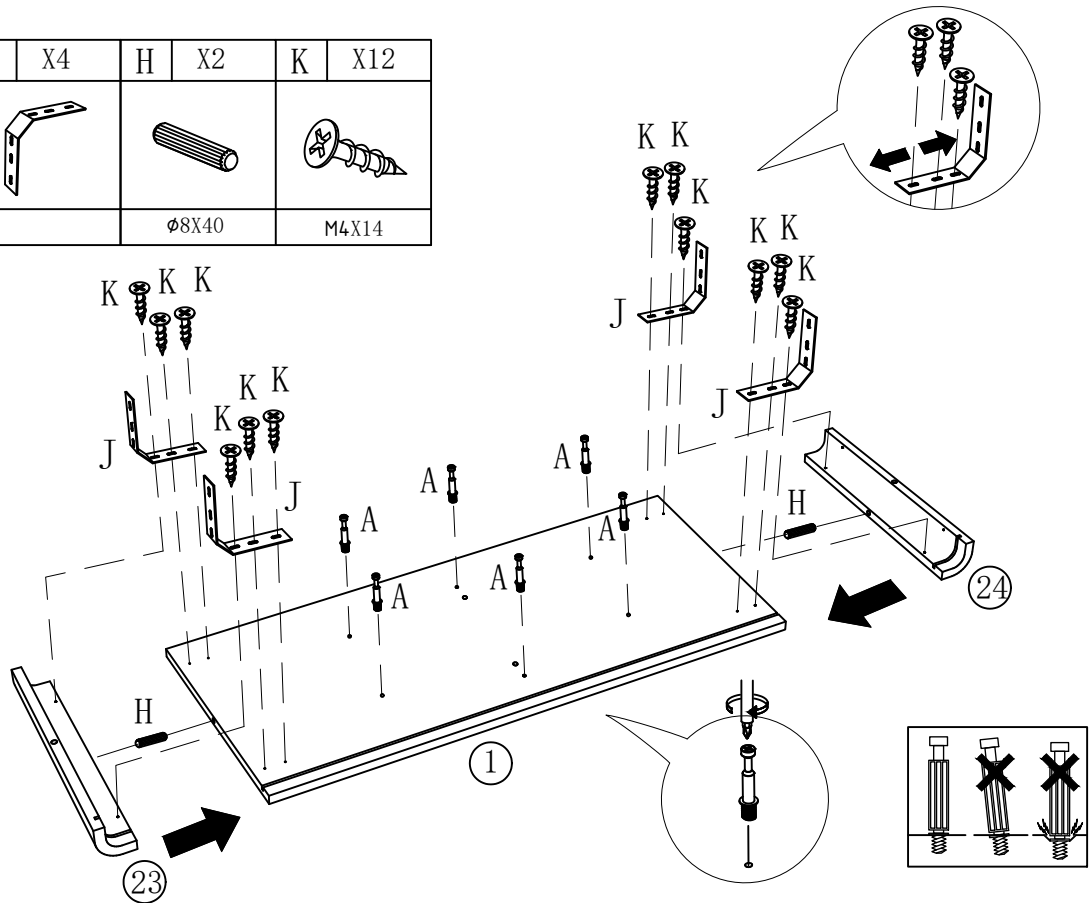


ACCESSORIES LIST




A	X82	B	X36	C	X46	D	X32	E	X46
									
M6X35		Ø15X12		Ø15X10		M3X12		M4X40	
F	X112	G	X16	H	X6	I	X12	J	X4
									
M3X14				Ø8X40					
K	X24	L	X12	M	X2	N	X1	DR	X10
									
M4X14		M6X40							
DL	X10	CR	X10	CL	X10				
									

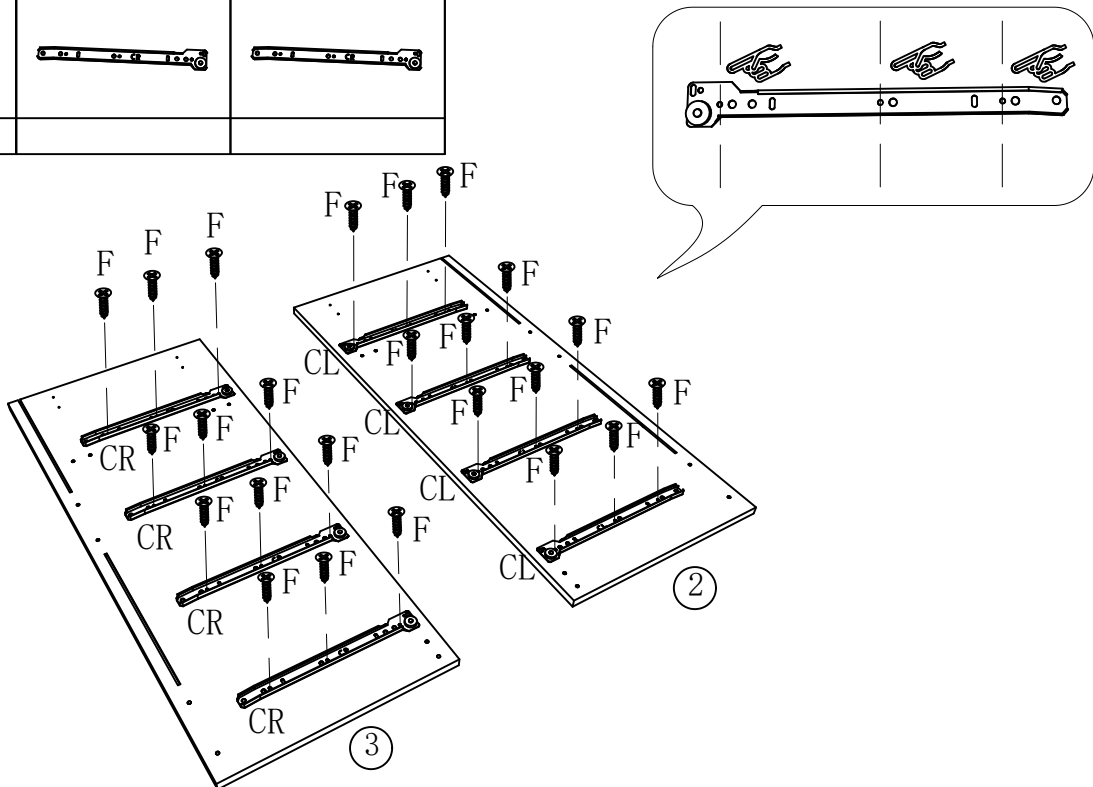
STEP 1

A	X6	J	X4	H	X2	K	X12
							
M6X35				∅8X40		M4X14	




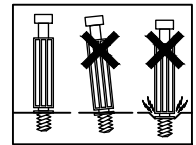
STEP 2

F	X24	CR	X4	CL	X4
					
M3X14					






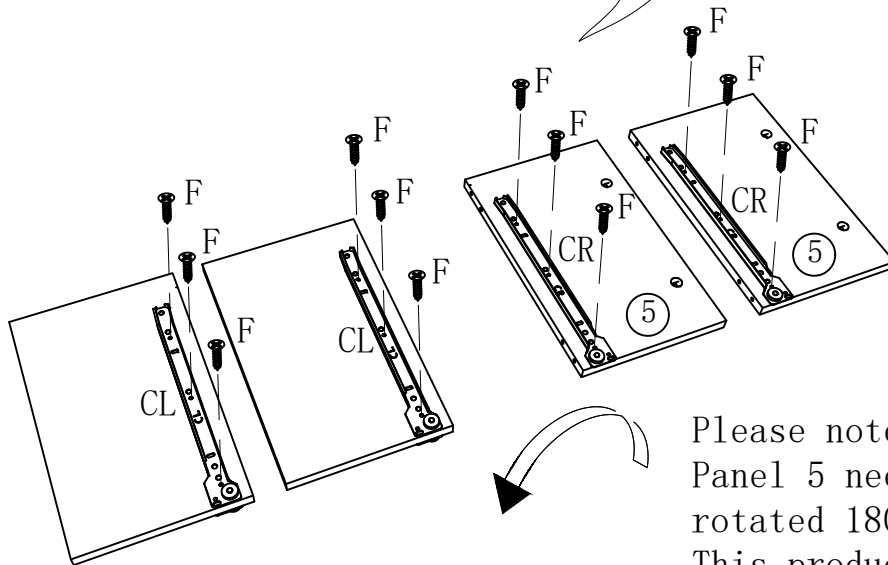
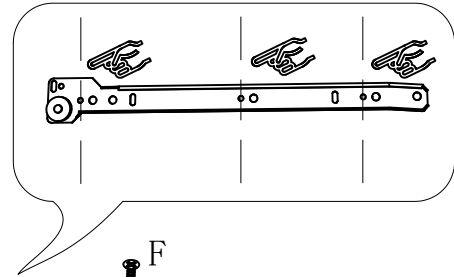
STEP3

A	X20
	
M6X35	






STEP4

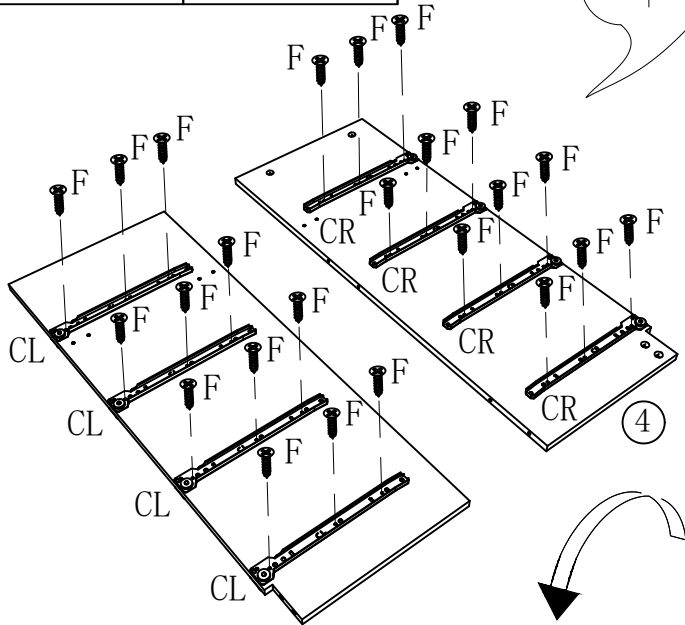
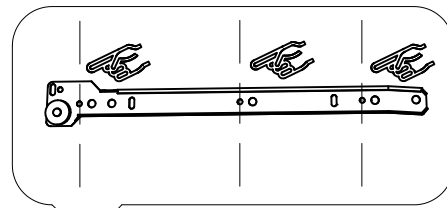
F	X12	CR	X2	CL	X2
					
M3X14					



Please note: In Step 4, Panel 5 needs to be rotated 180° as shown. This product only includes two #5panel.


STEP 5

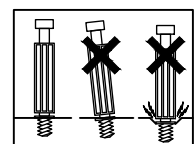
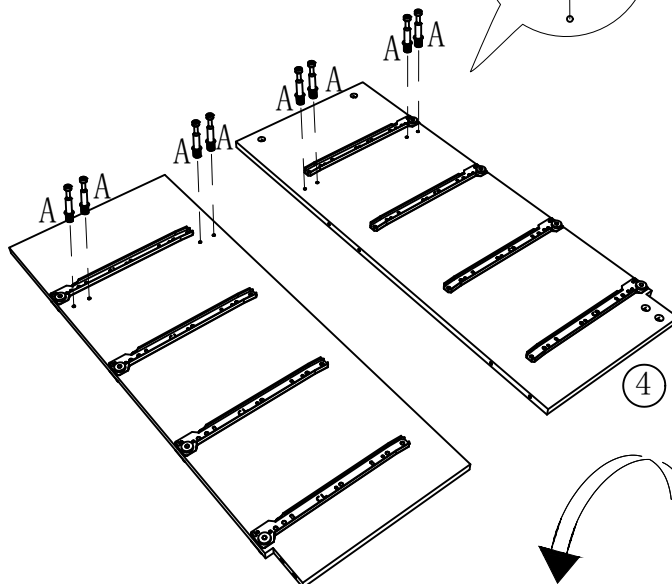
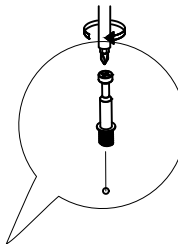
F	X24	CR	X4	CL	X4
					
M3X14					




Please note: In Step 5, Panel 4 needs to be rotated 180° as shown. This product only includes one #4 panel.

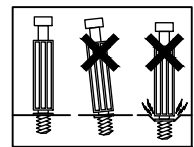
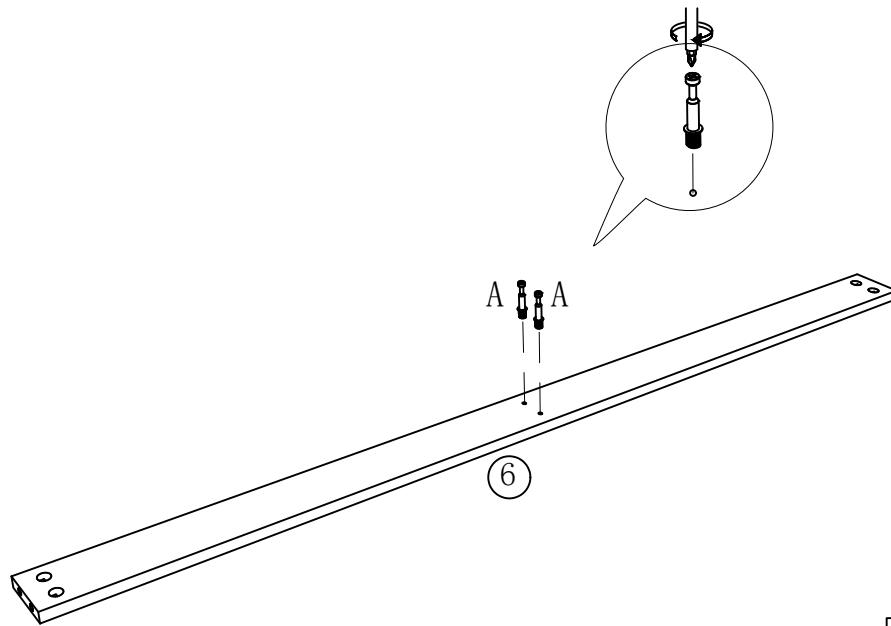
STEP 6

A	X8
	
M6X35	




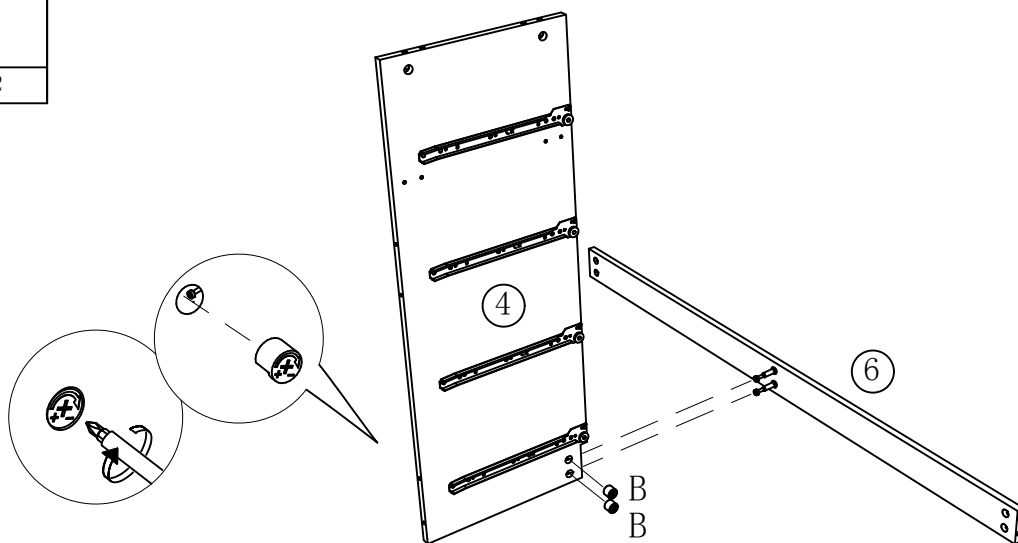
STEP 7

A	X2
	
M6X35	

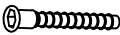


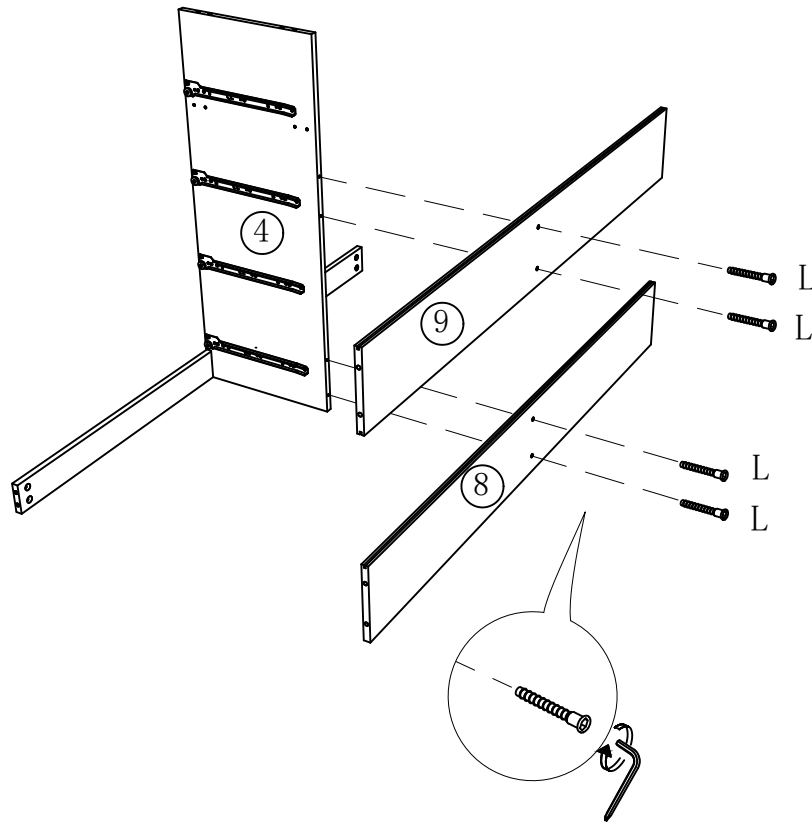
STEP 8

B	X2
	
φ15X12	

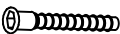


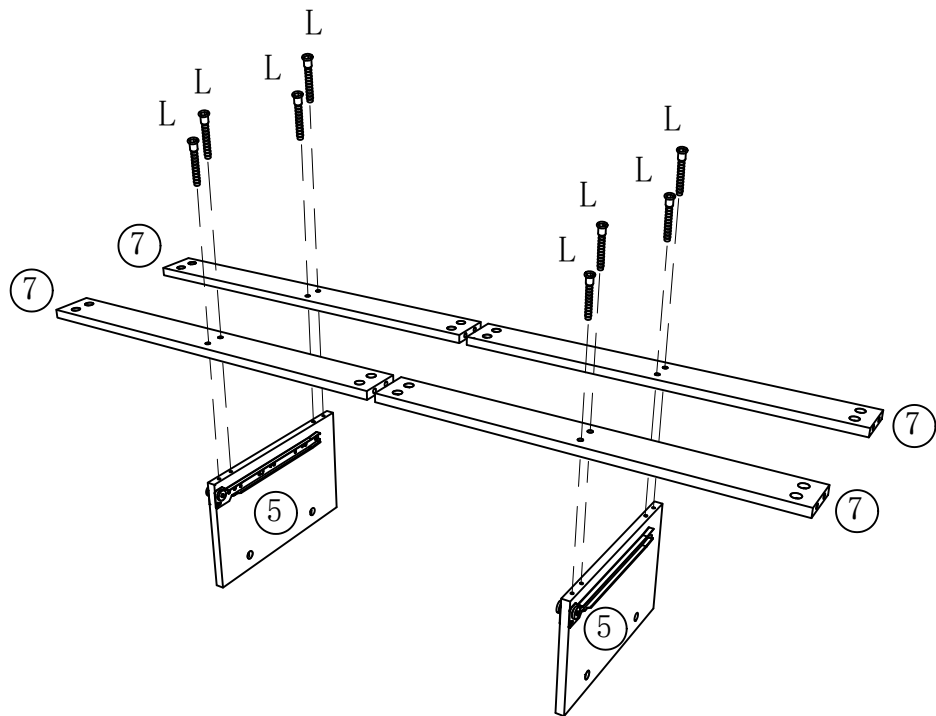
STEP9

L	X4
	
M6X40	




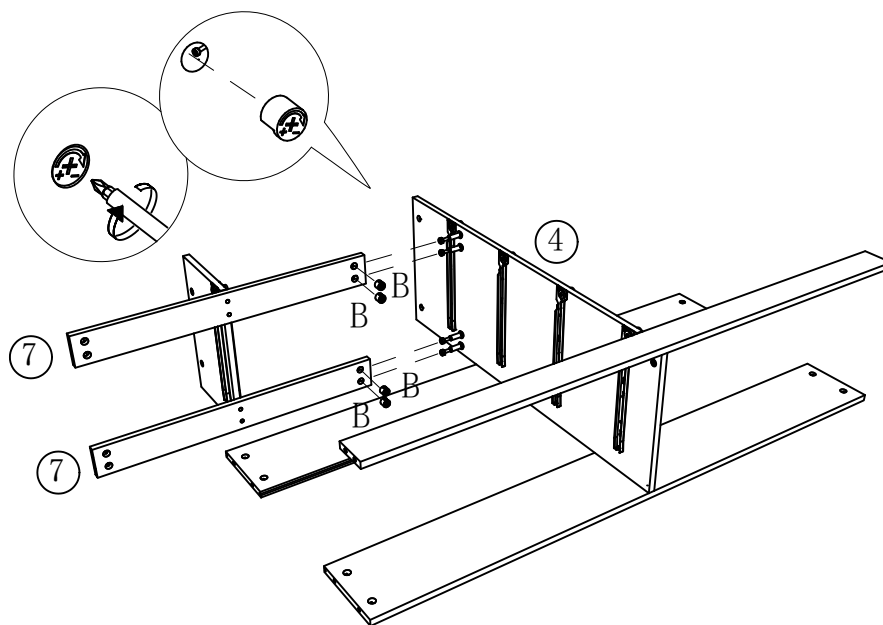
STEP10

L	X8
	
M6X40	




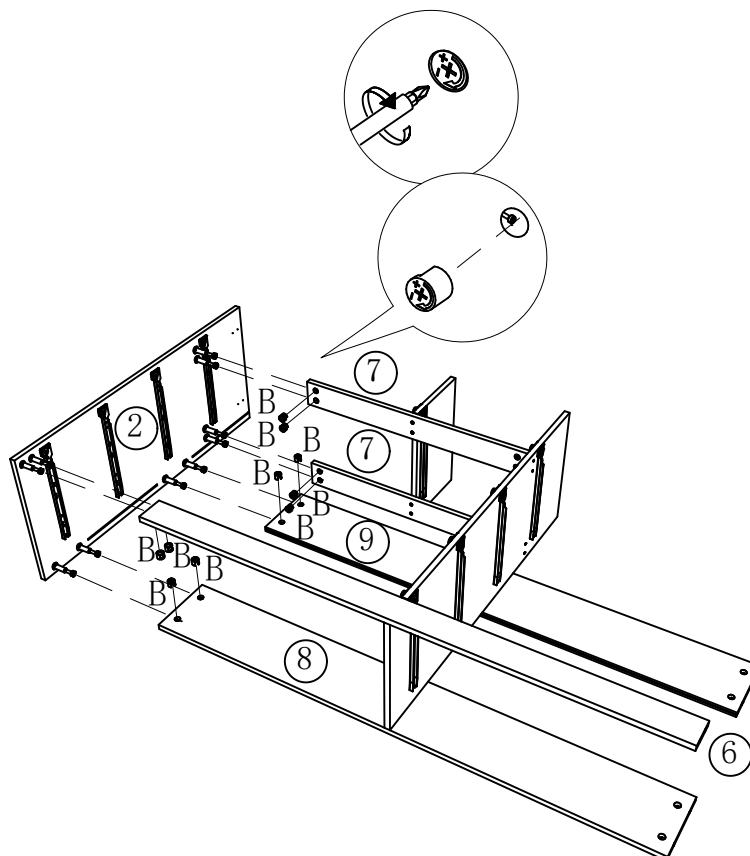
STEP11

B	X4
	
Ø15X12	

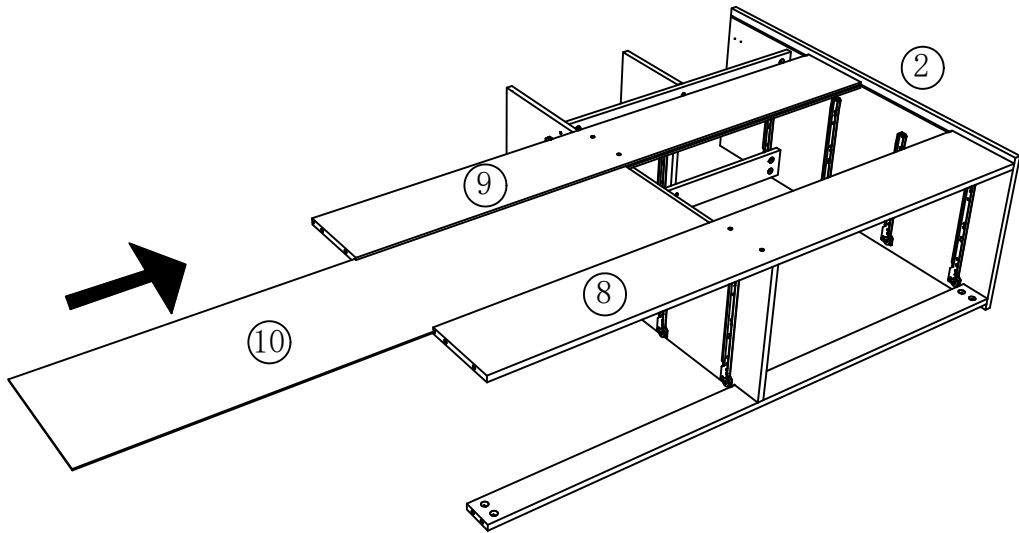


STEP12

B	X10
	
Ø15X12	

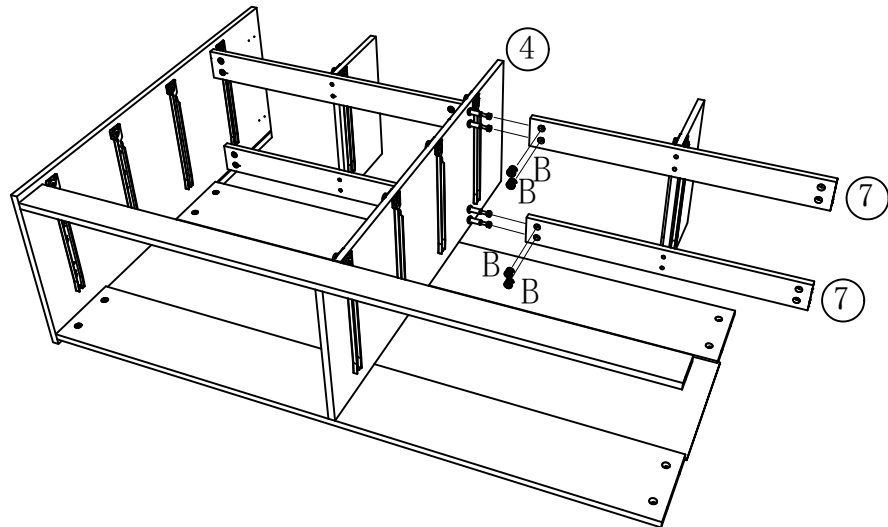


STEP13

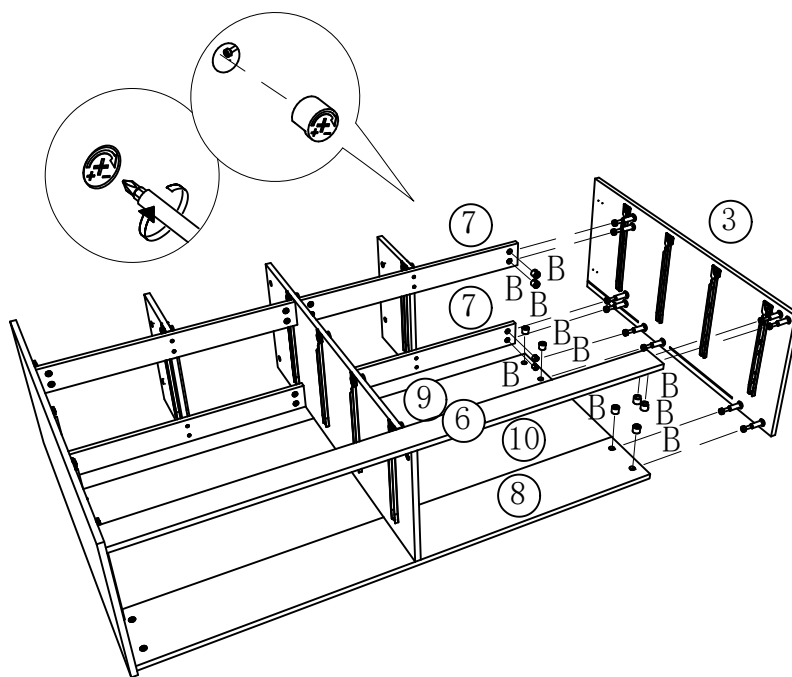
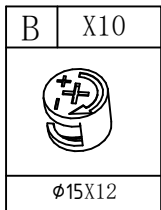


STEP14

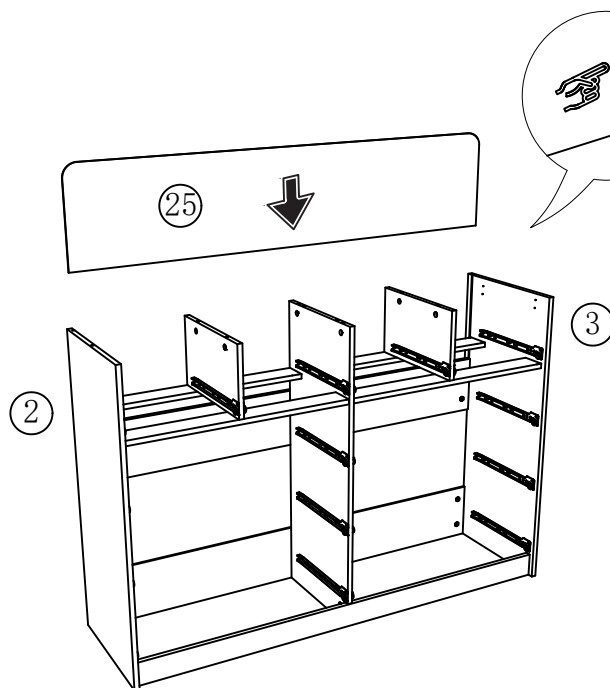
B	X4
Ø15X12	






STEP15

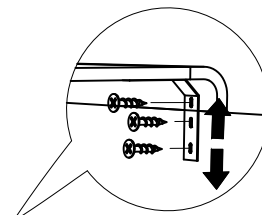
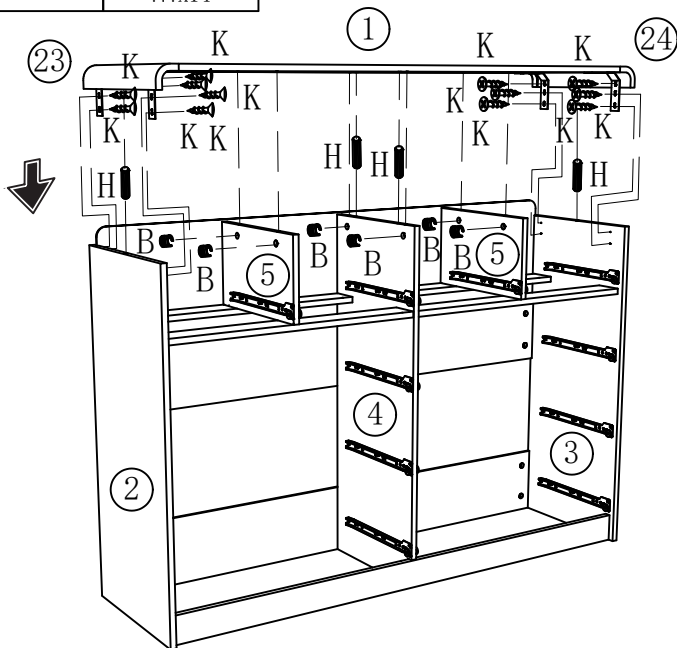


STEP16

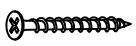


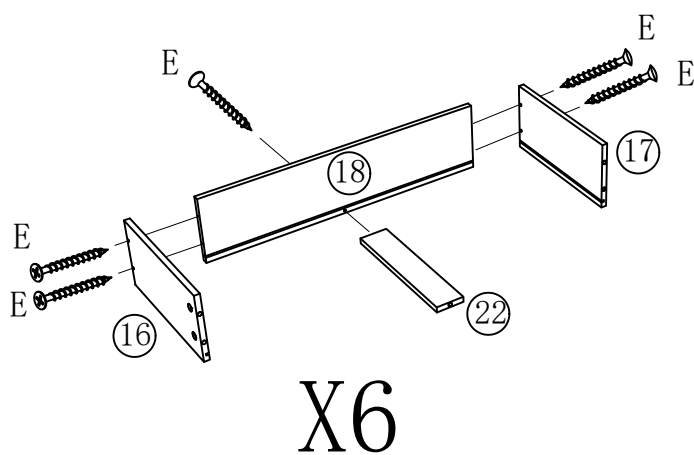
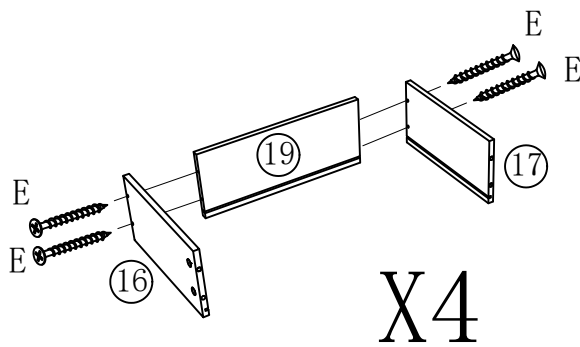
STEP 17

B	X6	H	X4	K	X12
					
ø15X12		ø8X40		M4X14	






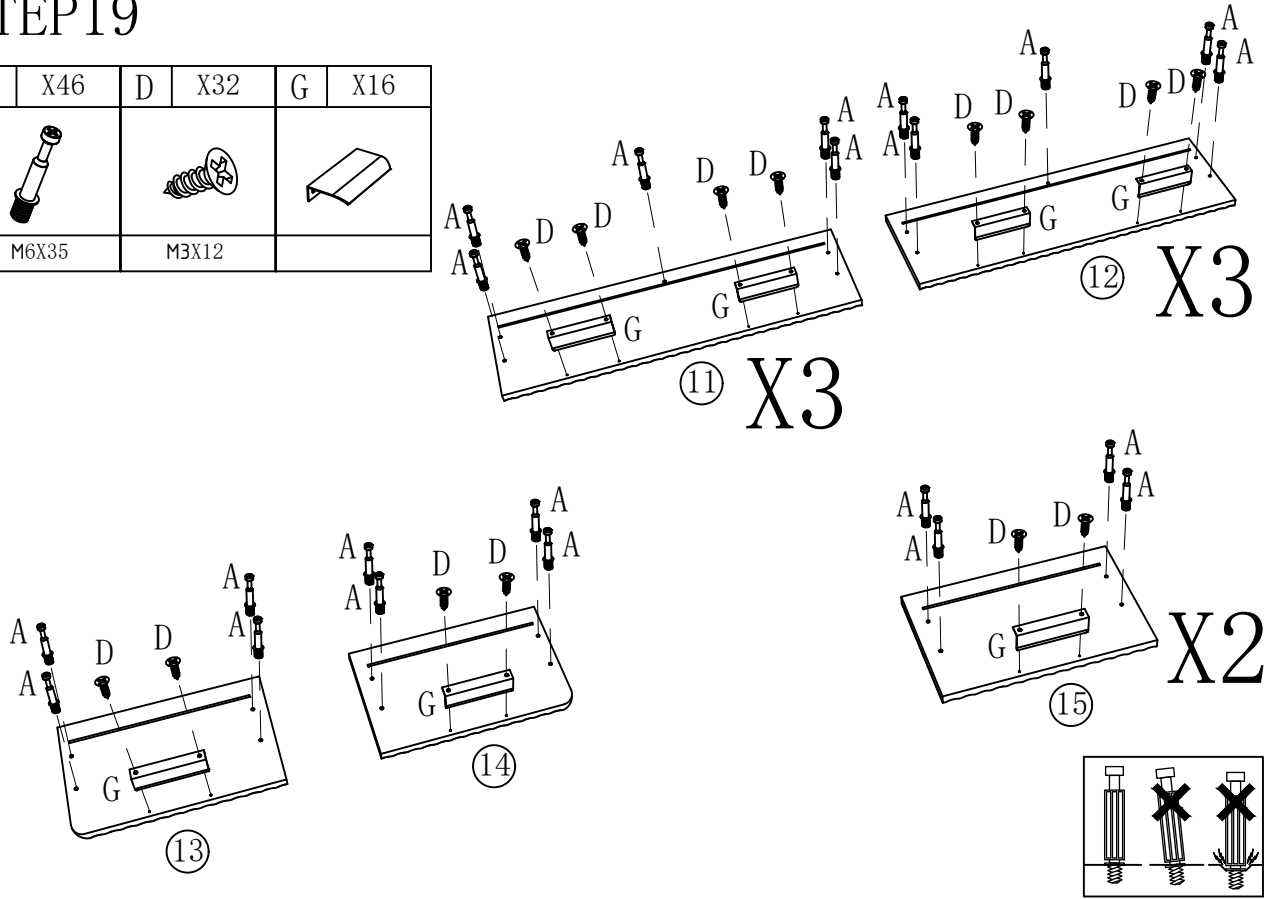
STEP 18

E	X46
	
M4X40	

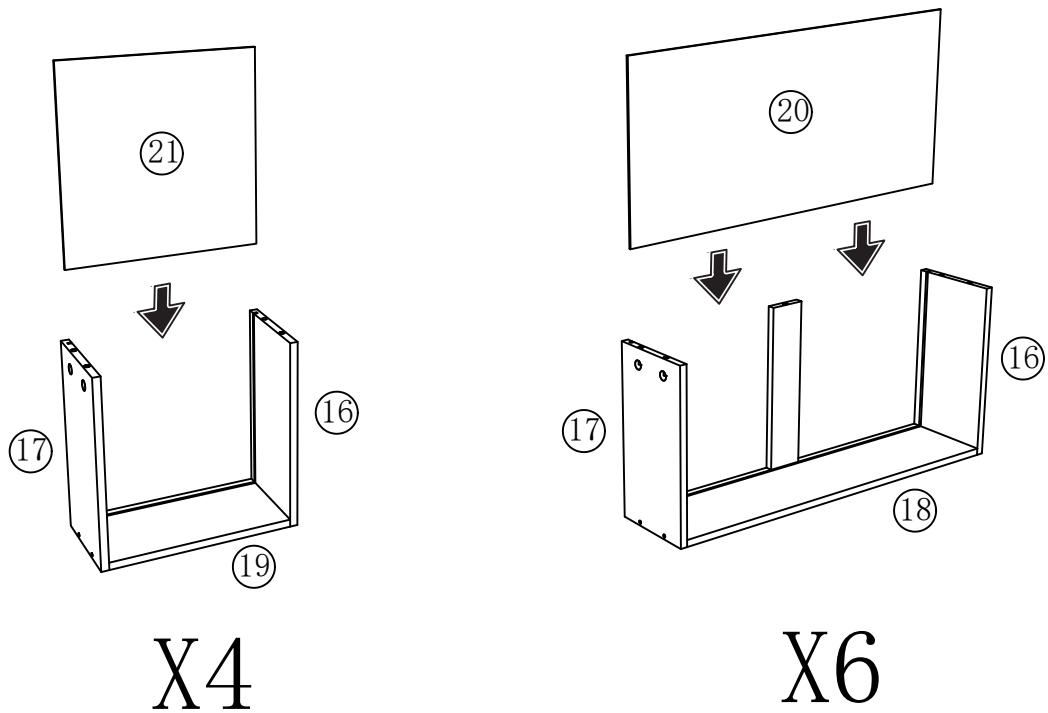


STEP19


A	X46	D	X32	G	X16
					
M6X35		M3X12			

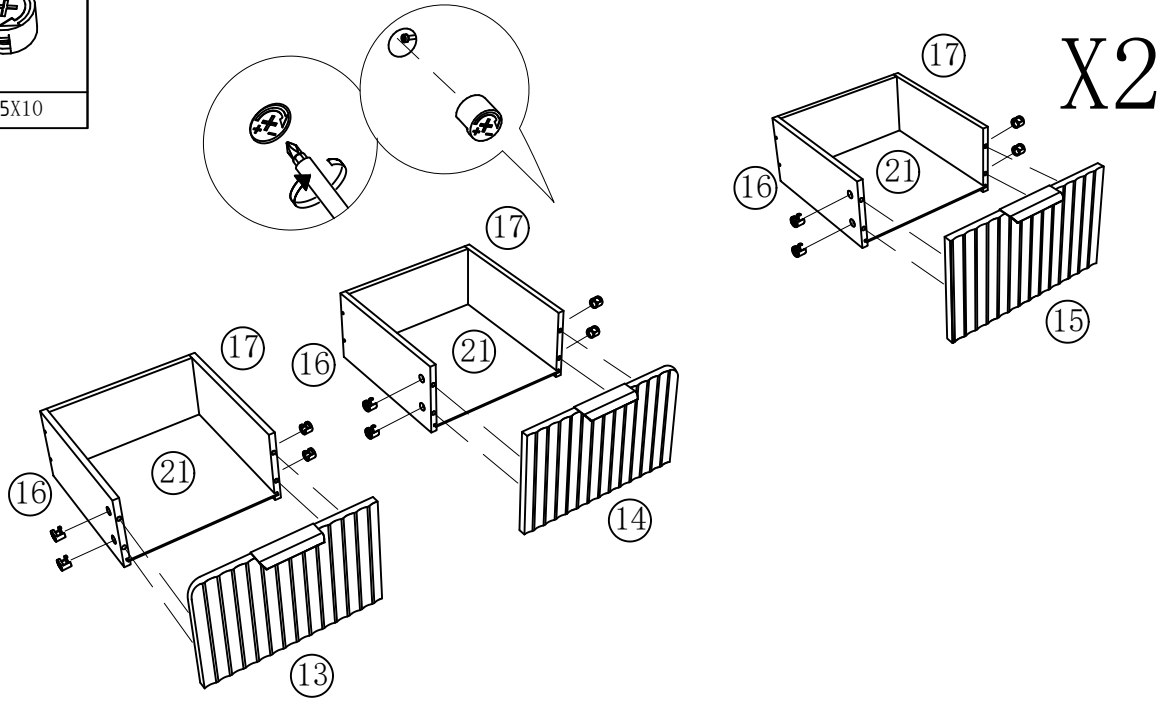


STEP20




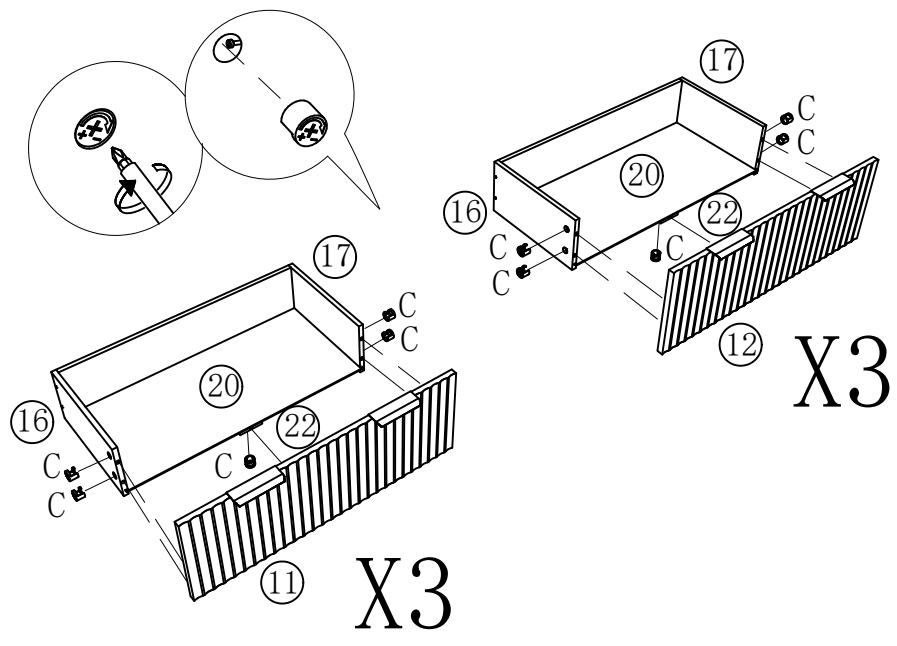
STEP21

C	X16
	
$\phi 15 \times 10$	






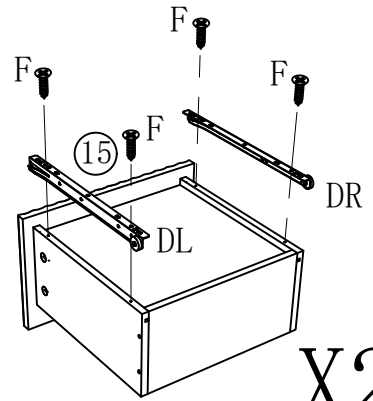
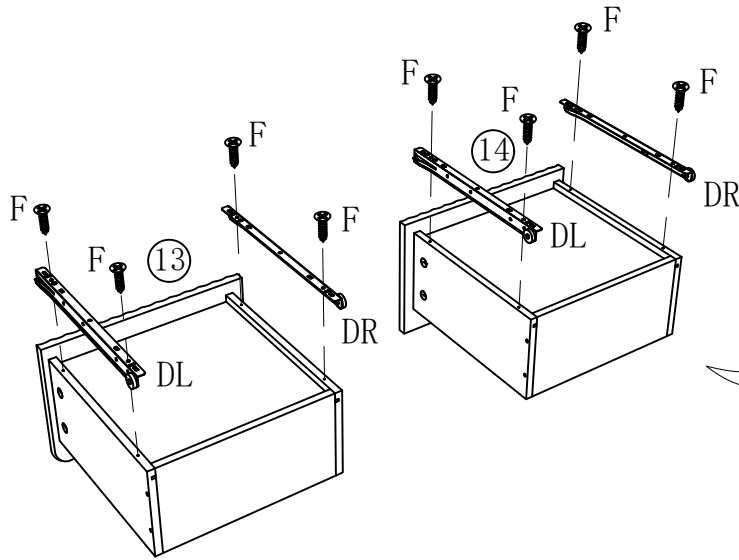
STEP22

C	X30
	
$\phi 15 \times 10$	





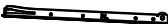
STEP23

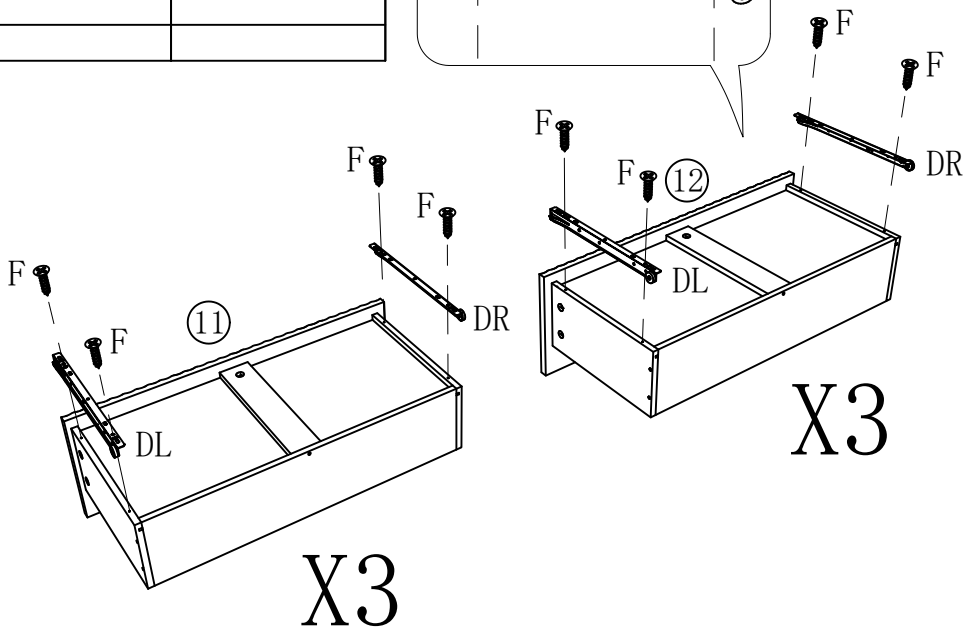
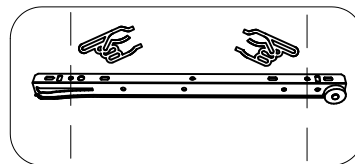
F	X16	DR	X4	DL	X4
					
M3X14					



X2

STEP24

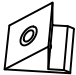

F	X24	DR	X6	DL	X6
					
M3X14					

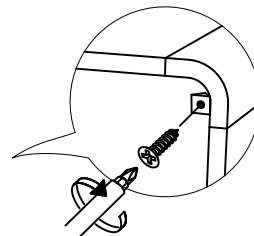
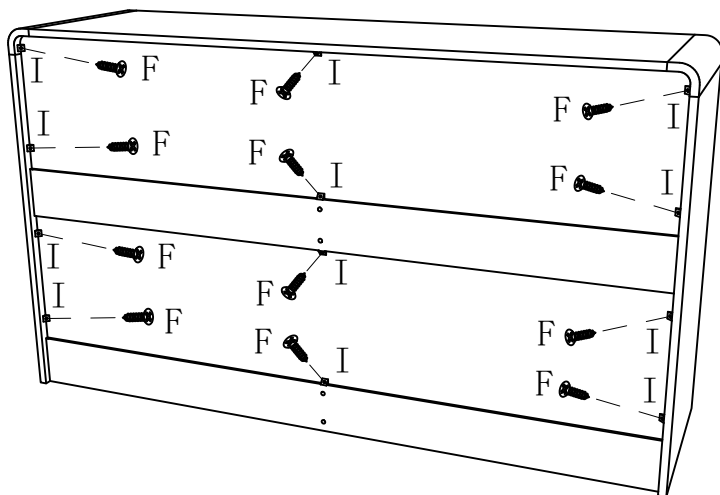


X3

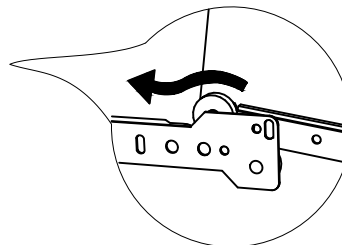
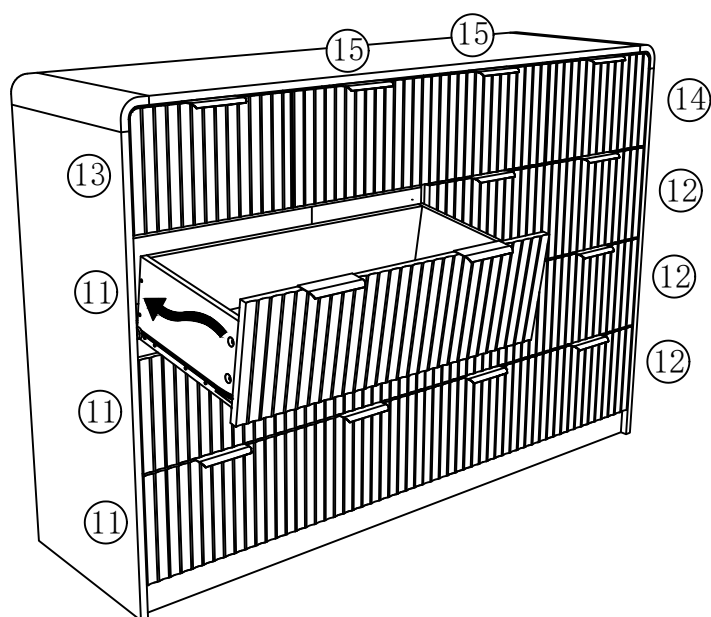
X3

STEP25

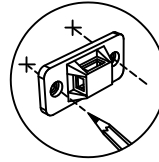
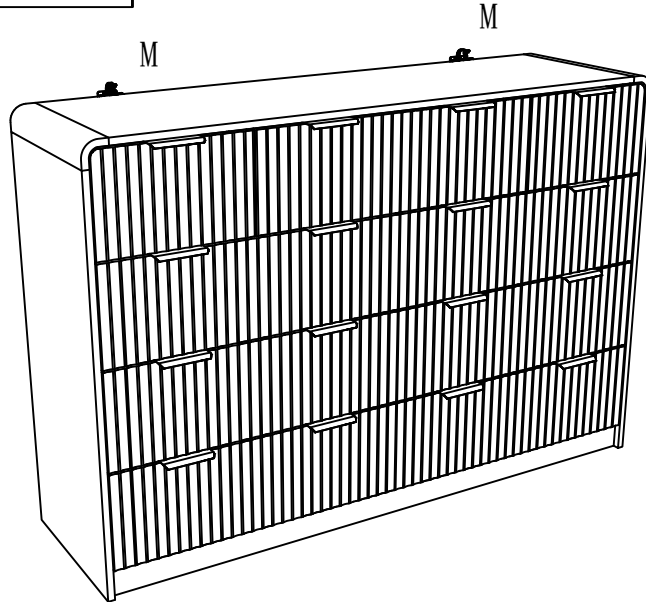
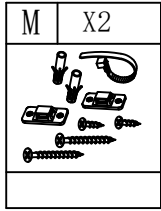
I	X12	F	X12
			
M3X14			



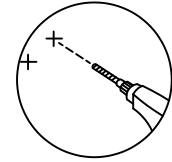
STEP26



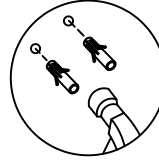
STEP27



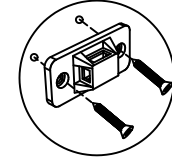
1, Mark on the wall.



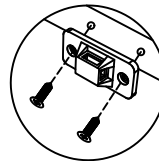
2, Drill holes in the wall.



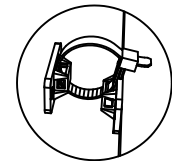
3, Push in the plastic plug.



4, Insert long screws into the wall to fix the clasp.



5, Secure the clasp with short screws at the top of the back thick plate.



6, Push the plastic tie through the holes in the two clasps and tighten it.