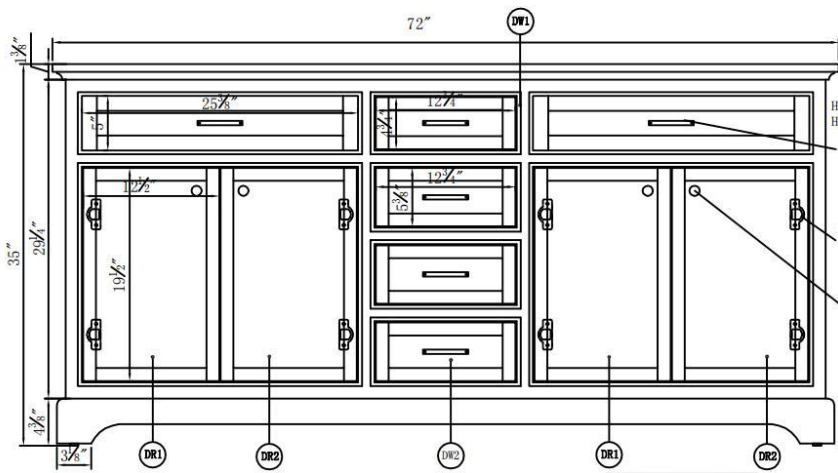
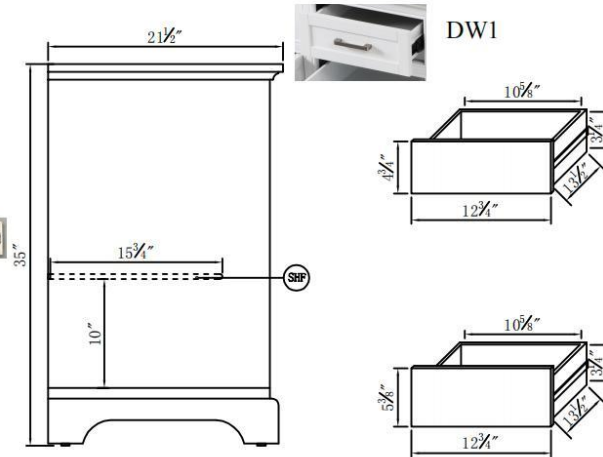


MODEL NO.:
VF15072DWH

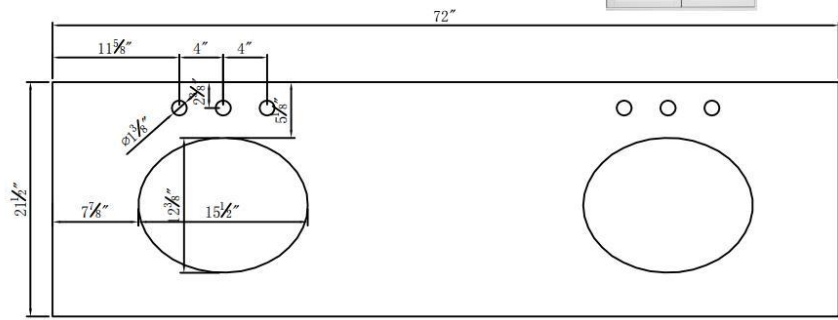
Version:31.07.2021



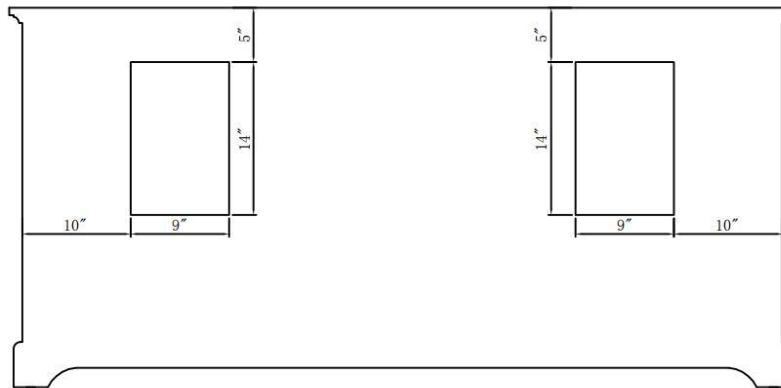
Front view

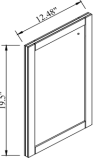
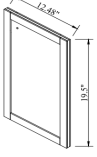
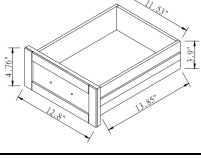
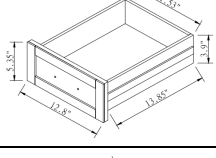
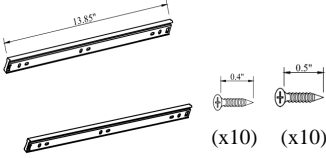
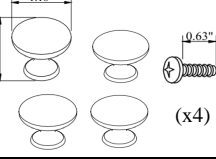
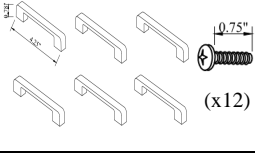
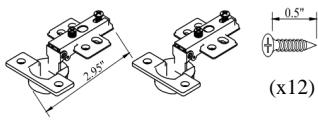
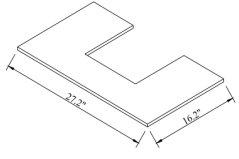
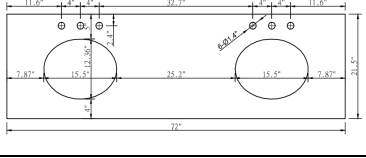


Side view



Top view



Parts Number	Picture	Description	QTY	Diagram Number
P-VF15072DWH-DR1		Left door (White)	2	DR1
P-VF15072DWH-DR2		Right door (White)	2	DR2
P-VF15072DWH-DW1		Top drawer (White)	1	DW1
P-VF15072DWH-DW2		Bottom drawer (White)	3	DW2
Slide-YR003-2PK		Drawer Slide (set of 2) (Black) Screws 0.4" (set of 10) Screws 0.5" (set of 10)	4	Slide-YR003
KB101-4PK		Knob (set of 4) 1.18" (30mm) Brushed nickel Door Knob Screw (4) M4x0.63" (16mm)	1	KB101
KB130-6PK		Bar handle (set of 6) 4.25" (108mm) Brushed nickel Drawer Knob Screw (12) M4x0.75" (19mm)	1	KB130
Hinge-YR005-2PK		Hinge (set of 2) (Nickel) Screws (12)	4	Hinge-YR005
P-VF15072DWH-SHF1		Side shelf (White)	2	SHF1
TP-VF15072DCRA		Countertop & Sink Cararra white	1	TP-VF15072DCRA