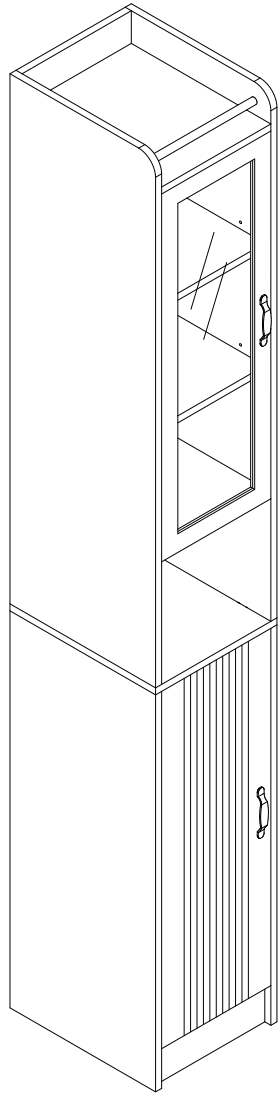
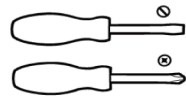


# **OVER THE TOILET STORAGE SHELF**



1

Tools Needed ( not included ) Flat & Phillips Screwdriver.



**Notice:**

1. Follow the installation instruction. Please confirm all accessories are presented before installation.
2. Do not fully tighten the screws during initial assembly. Fully tighten screws only once all pieces which are correctly assembled
3. If you encounter any problems during installation, please contact our customer service.

Item no.	Reference Image	Qty.
①		x1
②		x1
③		x1
④		x1
⑤		x1
⑥		x1
⑦		x1
⑧		x1

Item no.	Reference Image	Qty.
⑨		x2
⑩		x1
⑪		x1
⑫		x1
⑬		x1
⑭		x1
⑮		x3

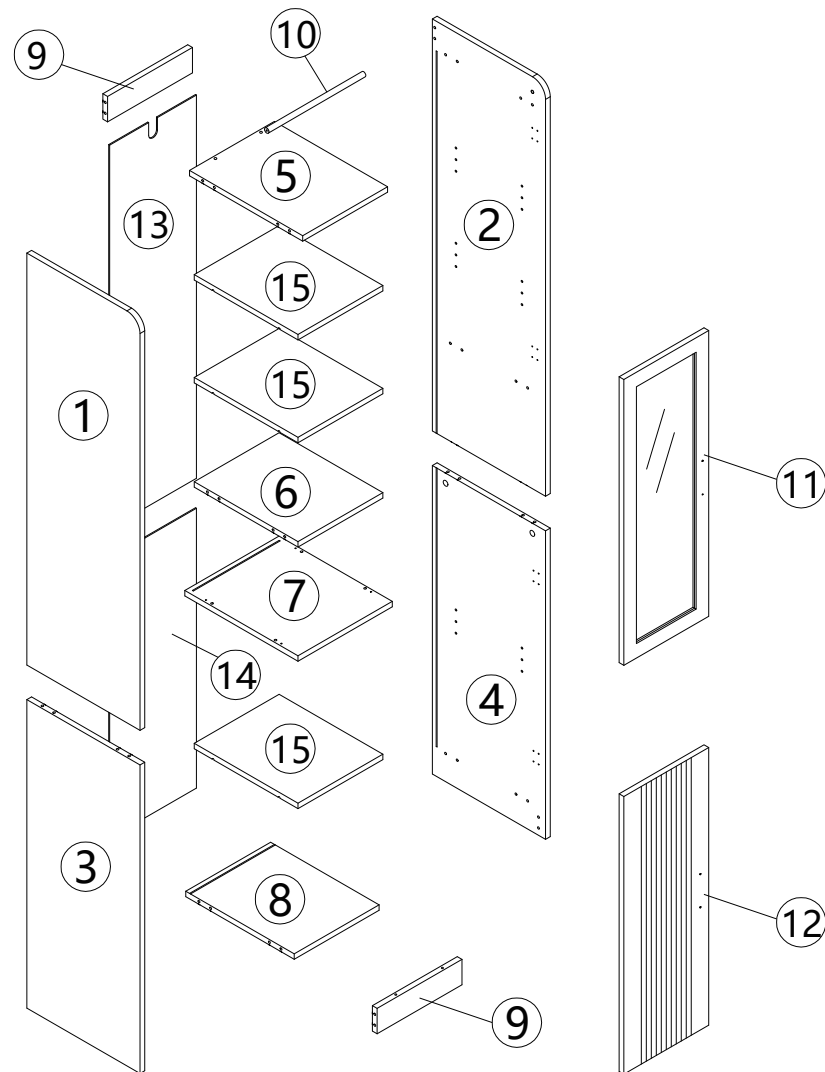
2



Item no.	Reference Image	Qty.
<b>A</b>		x20
<b>B</b>		x20
<b>C</b>		x28
<b>D</b>		x4
<b>E</b>		x2
<b>F</b>		x4
<b>G</b>		x24
<b>I</b>		x1

Item no.	Reference Image	Qty.
<b>J</b>		x12
<b>K</b>		x1
<b>L</b>		x1
<b>M</b>		x1
<b>N</b>		x1

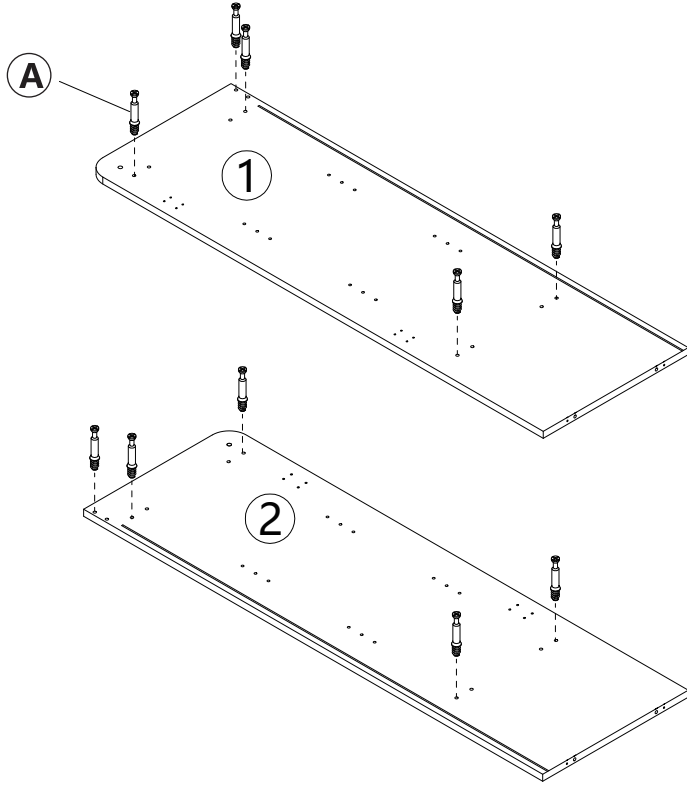
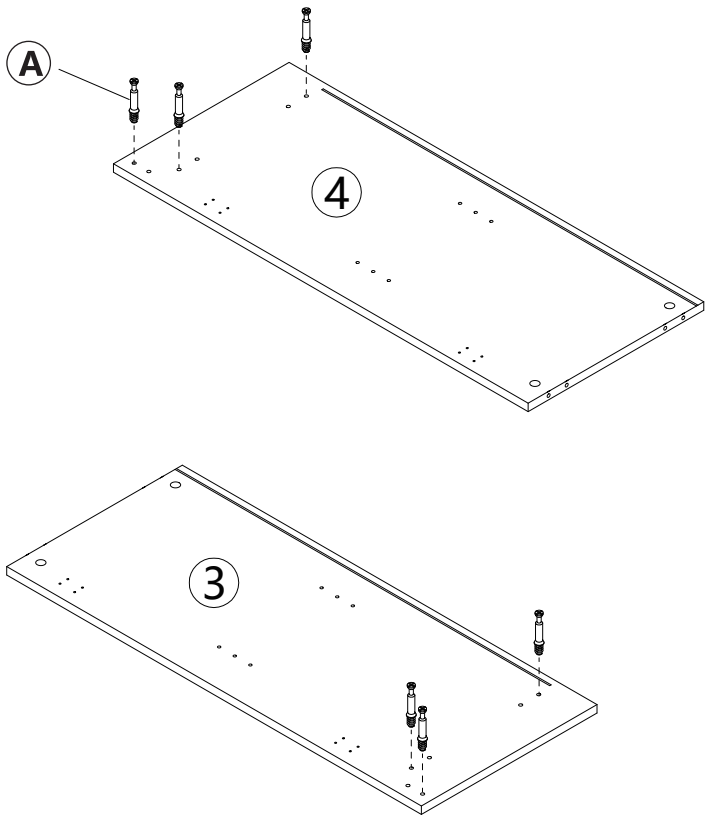
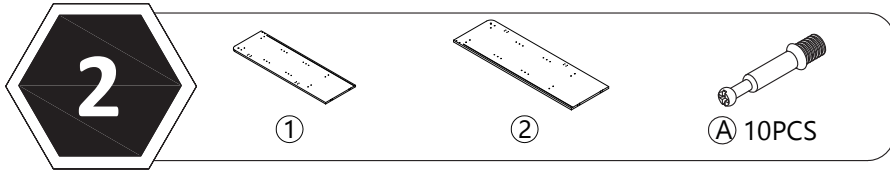
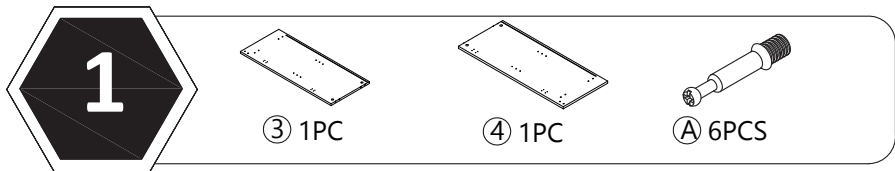
## Explosion Diagram



# Assembly Instructions



# Assembly Instructions



# Assembly Instructions

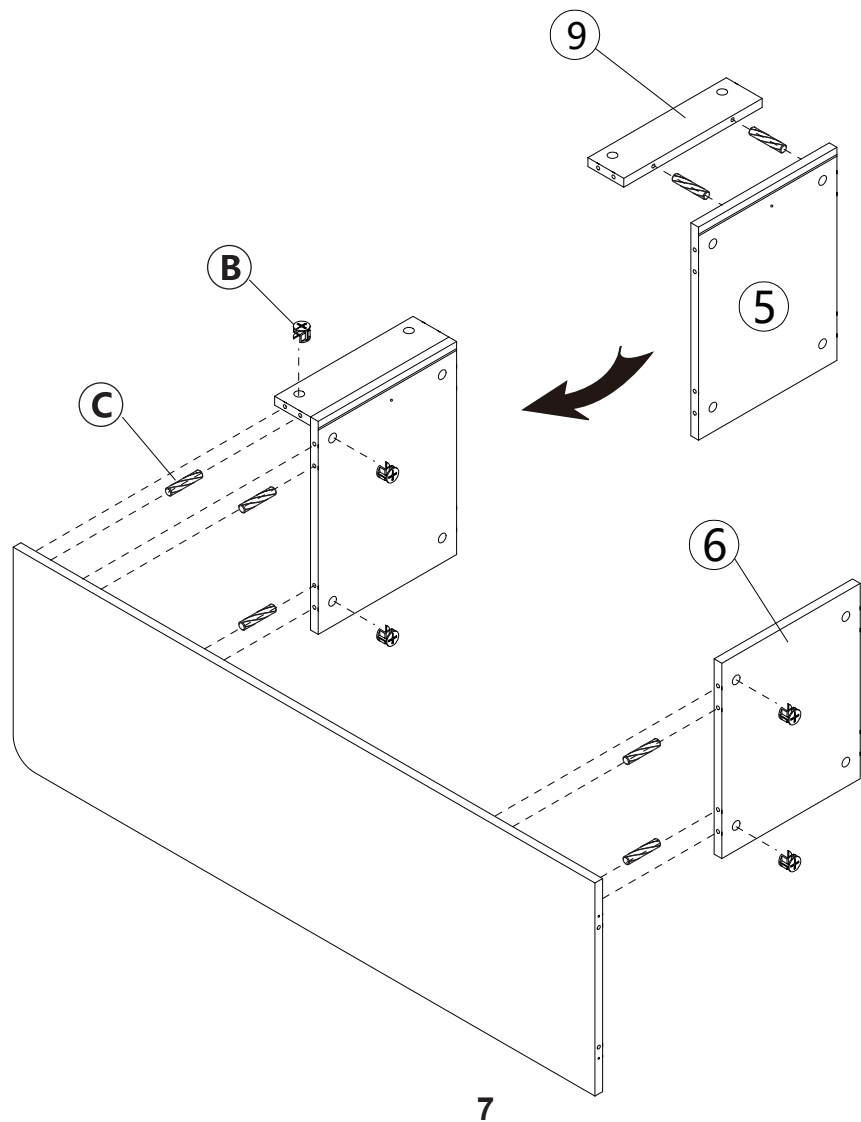


# Assembly Instructions



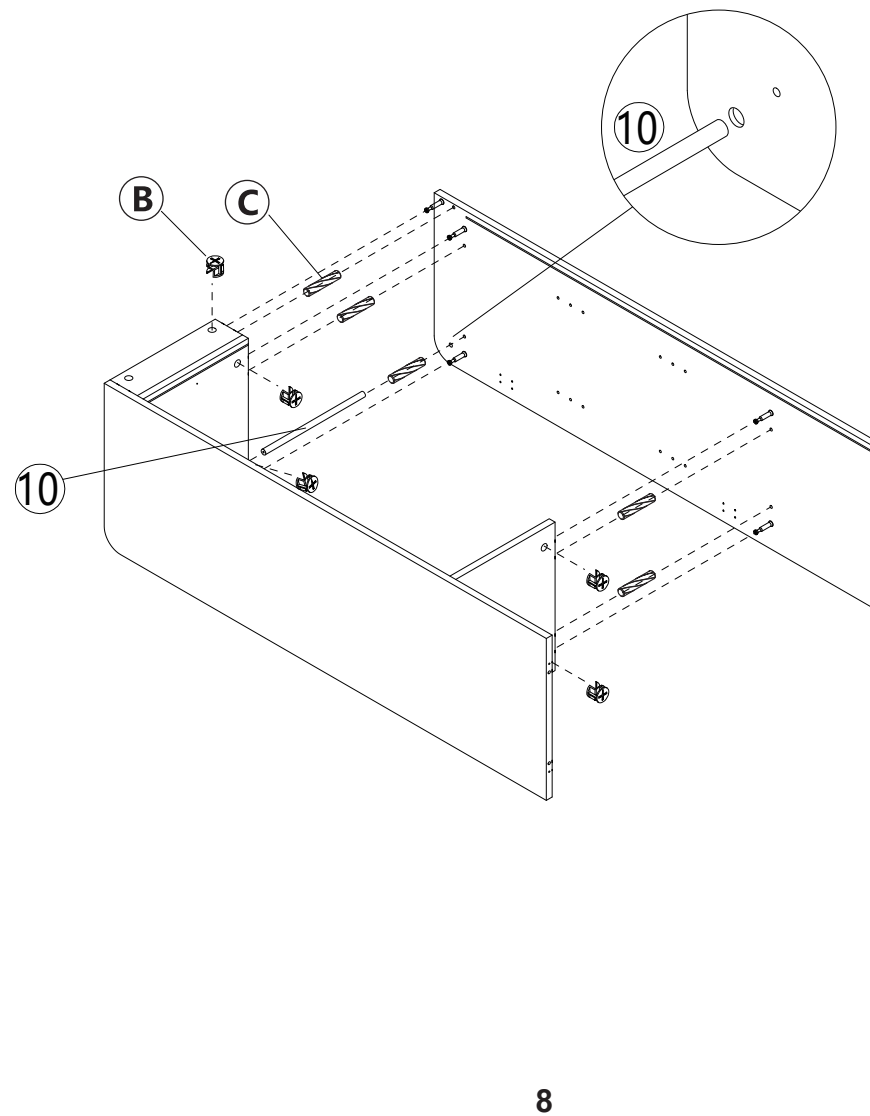
**3**

⑨ 1PC    ⑤ 1PC    ⑥ 1PC    Ⓑ 5PCS    Ⓒ 7PCS



**4**

⑩ 1PC    Ⓑ 5PCS    Ⓒ 5PCS



# Assembly Instructions



# Assembly Instructions

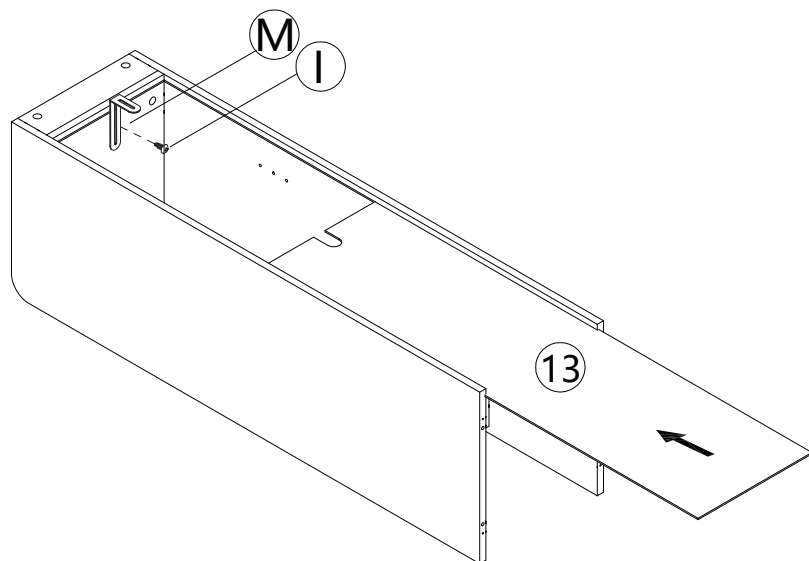


**5**

⑬ 1PC

① 1PC

Ⓜ 1PC



9

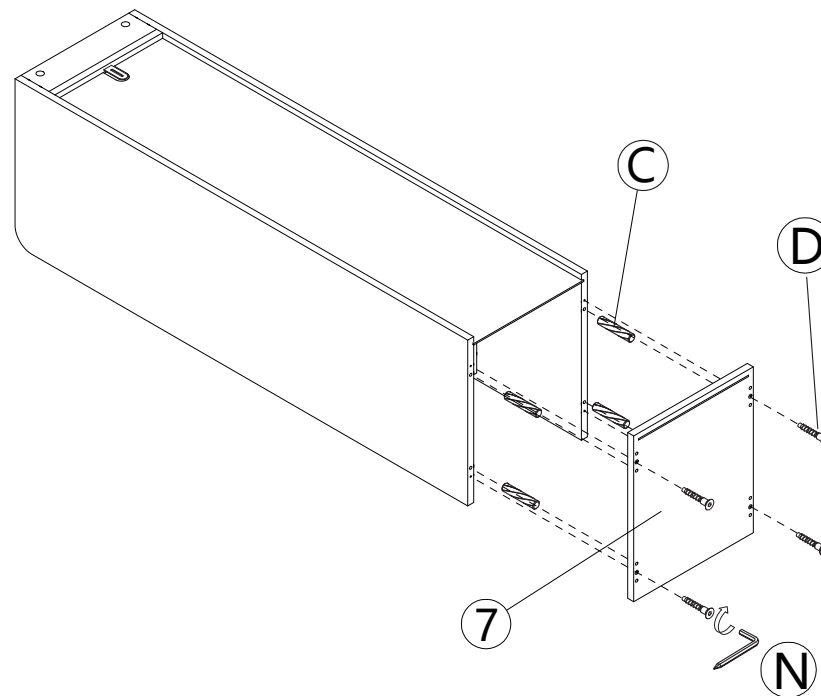
**6**

⑦ 1PC

Ⓒ 4PCS

Ⓓ 4PCS

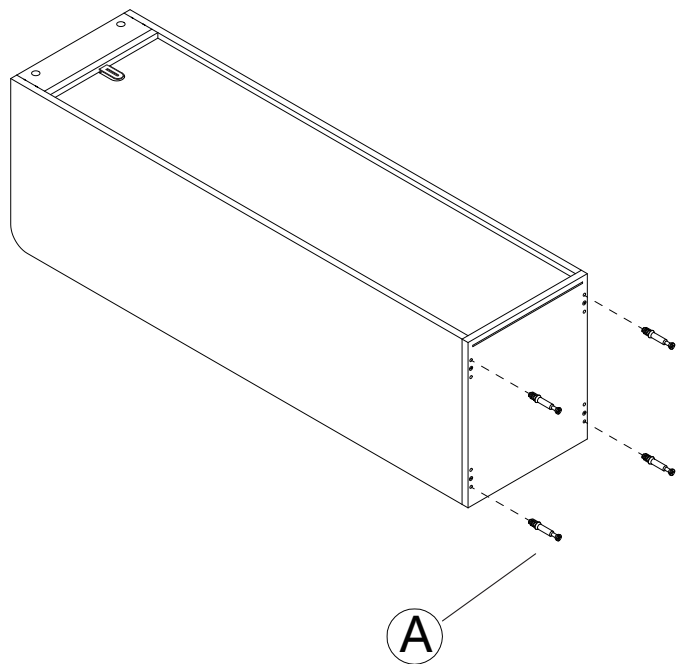
Ⓝ 1PC



10

# Assembly Instructions

7



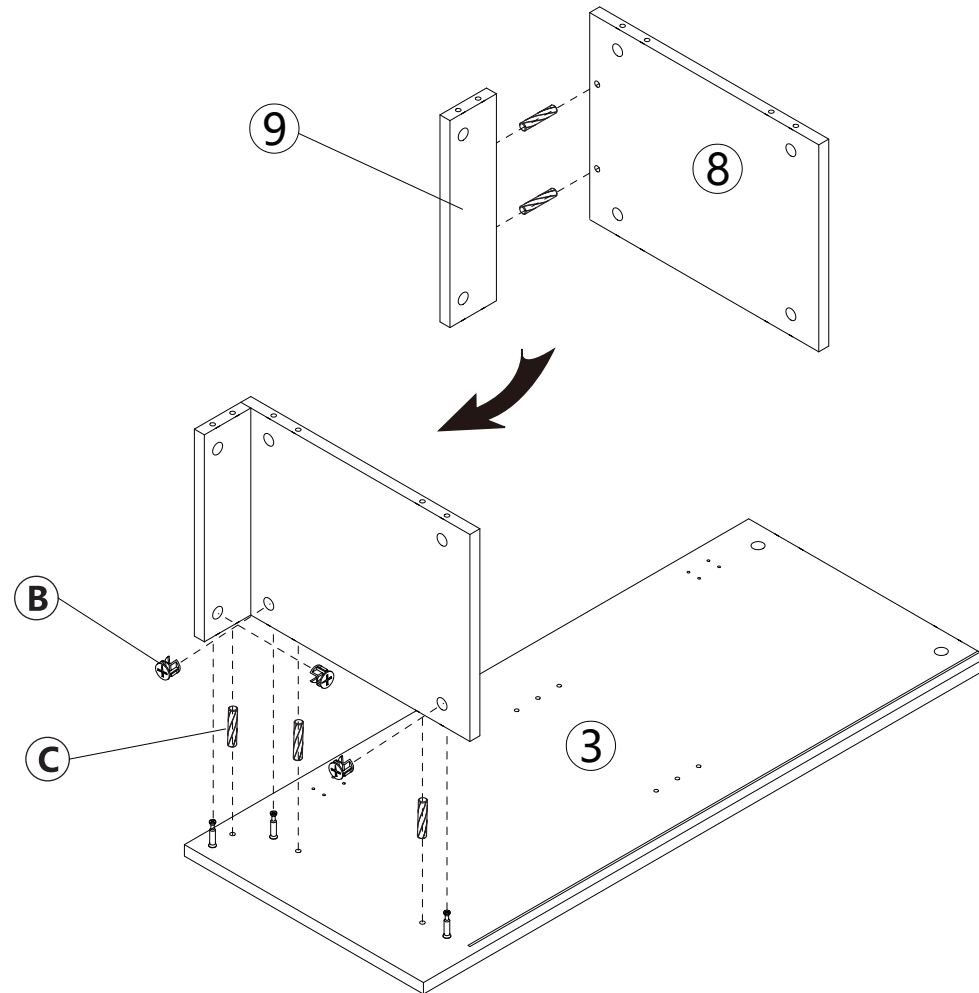
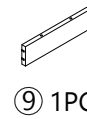
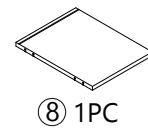
11



# Assembly Instructions



8

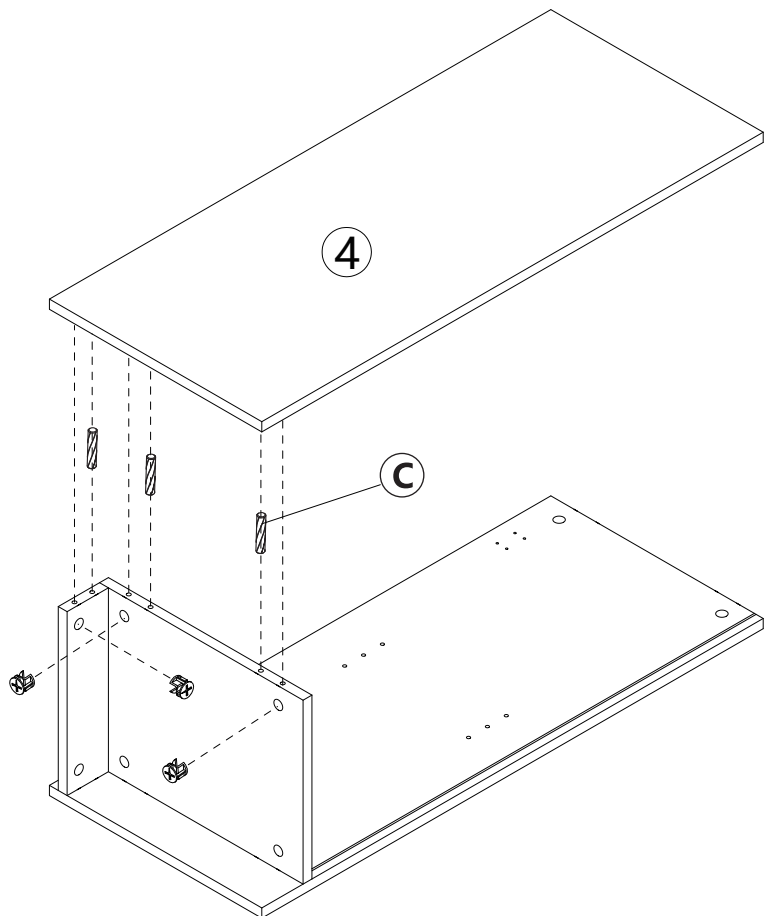


12

# Assembly Instructions



9

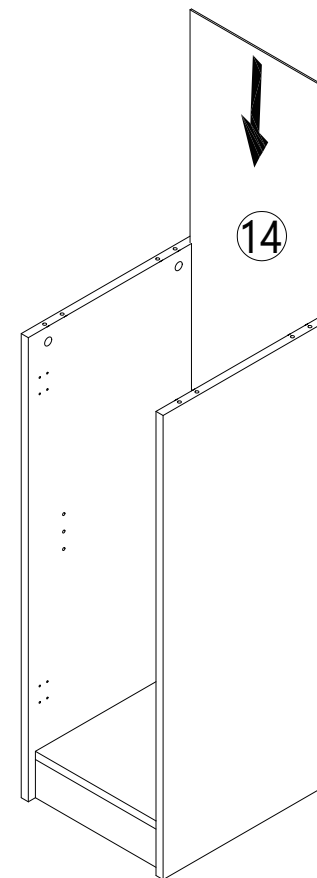
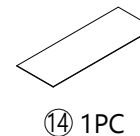


13

# Assembly Instructions



10

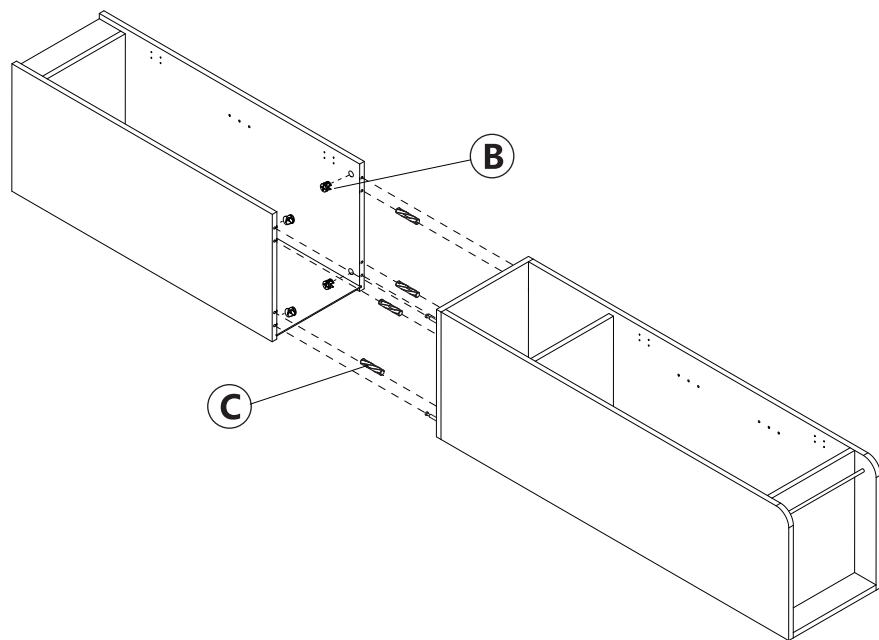


14

# Assembly Instructions



**11**

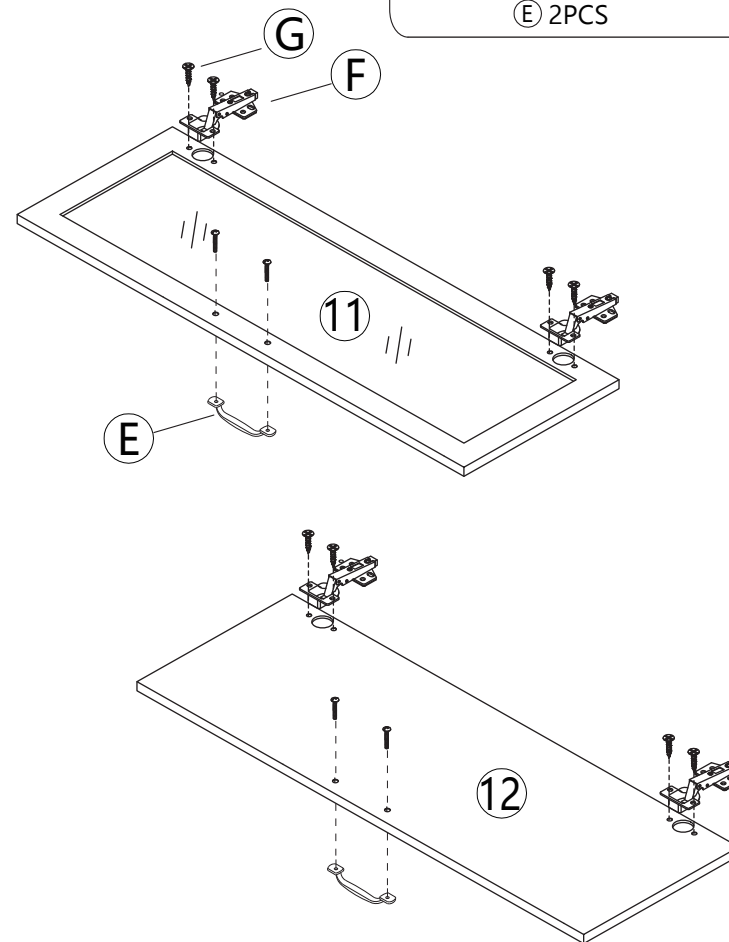
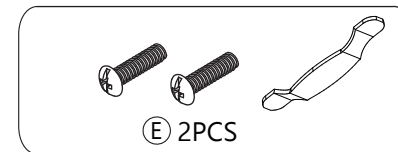
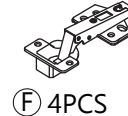
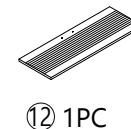
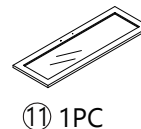


15

# Assembly Instructions



**12**

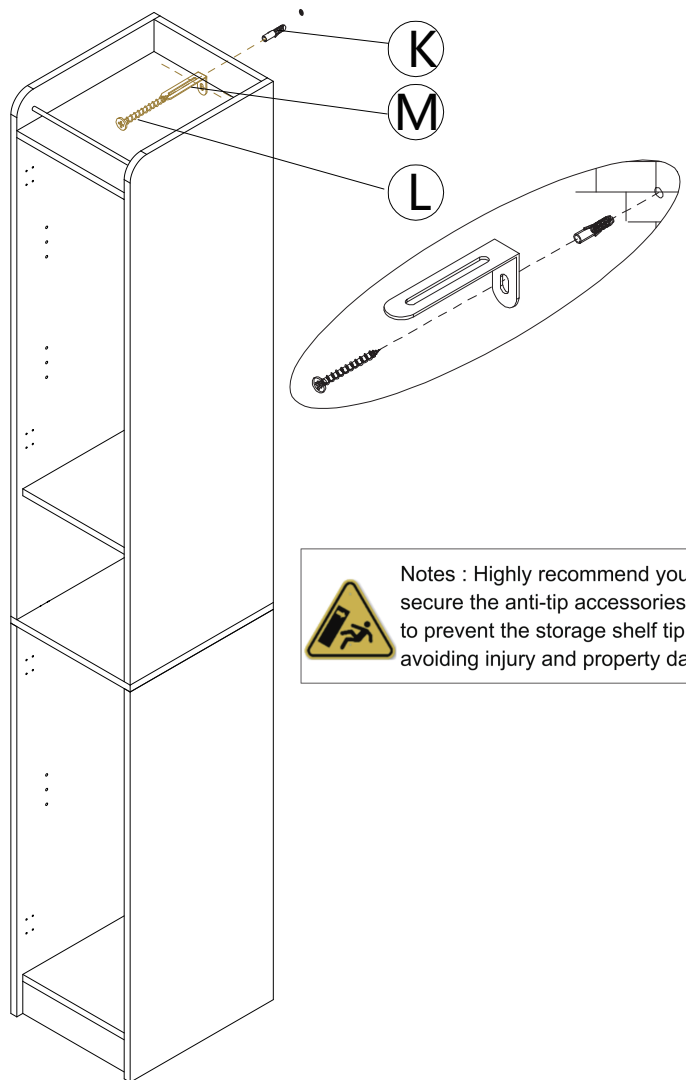



16



13

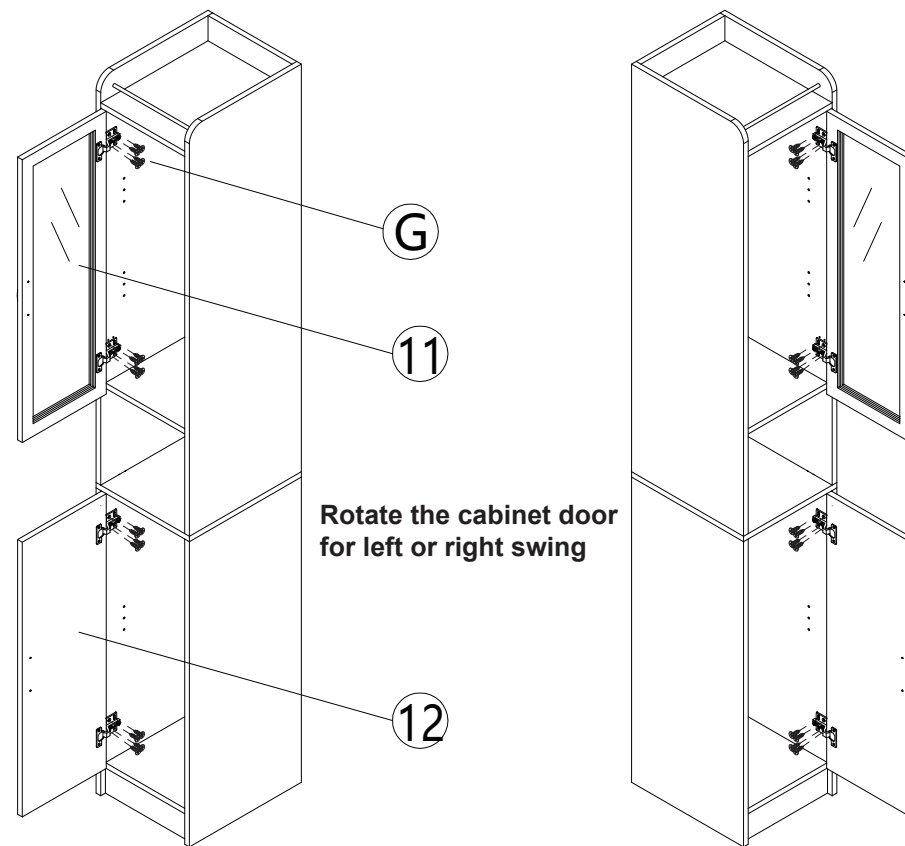
- L 1PC
- K 1PC



 Notes : Highly recommend you to secure the anti-tip accessories to wall to prevent the storage shelf tipping, avoiding injury and property damage.

14

- G 16PCS

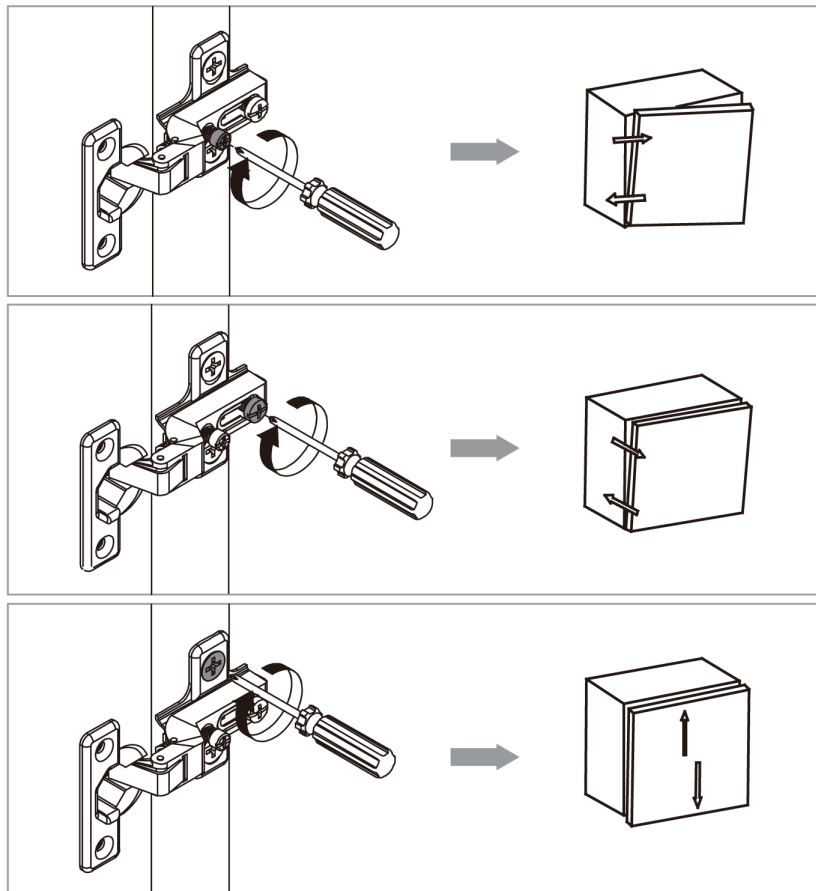


Rotate the cabinet door for left or right swing

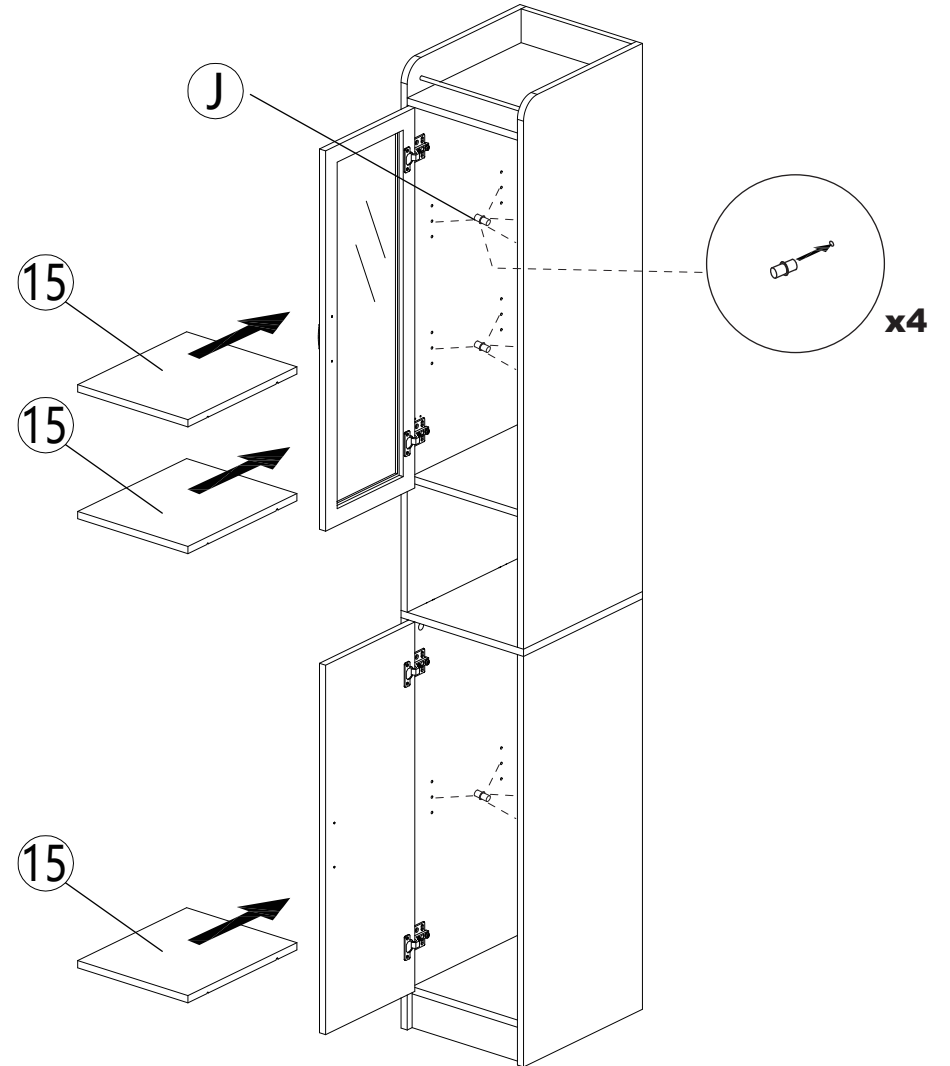
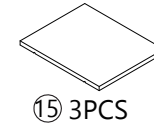
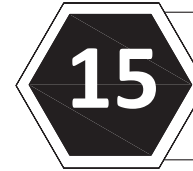


## OPTIONAL DOOR ADJUSTMENT

The cabinet doors have a three-way adjustment feature. Height, side-to-side, level & depth can be adjusted. With the hinge slightly closed you can access the middle screw for up/down adjustment. With the hinge fully extended you can access the front and back screws. These screws will move the door side to side and in & out.



19



20