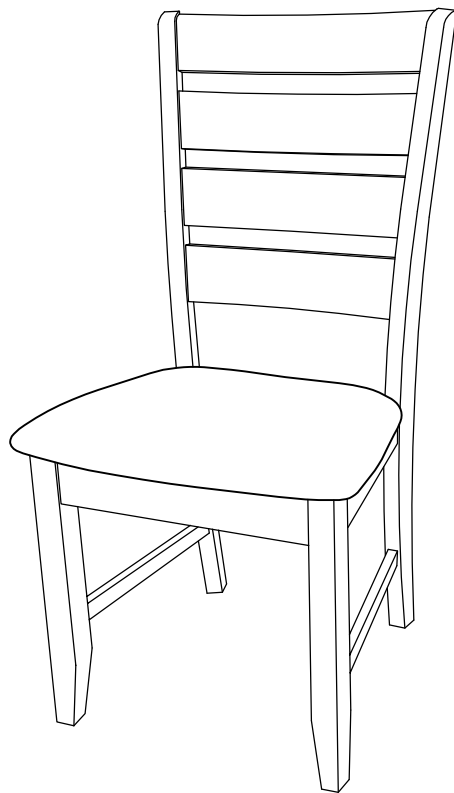


# *ASSEMBLY INSTRUCTIONS*



*Fine Furniture for every stage of life*

**Dining Side Chair**

# ASSEMBLY INSTRUCTIONS

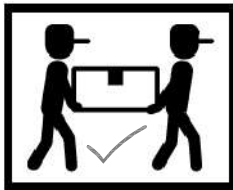
## ASSEMBLY TIPS :

1. Remove hardware from box and sort by size.
2. Please check to see that all hardware and parts are present prior to start of assembly.
3. Please follow attached instructions in the same sequence as numbered to assure fast & easy assembly.



### WARNING !

1. Don't attempt to repair or modify parts that are broken or defective. Please contact the store immediately.
2. This product is for home use only and not intended for commercial establishments.



ASSEMBLY TIME

10 MINUTES

## PARTS IDENTIFICATION

|    |                 |  |      |
|----|-----------------|--|------|
| A  | BACK FRAME      |  | 1PC  |
| B  | FRONT LEG FRAME |  | 1PC  |
| C  | SIDE RAIL       |  | 2PCS |
| D  | SEAT CUSHION    |  | 1PC  |
| E1 | RIGHT STRETCHER |  | 1PC  |
| F1 | LEFT STRETCHER  |  | 1PC  |

## HARDWARE IDENTIFICATION

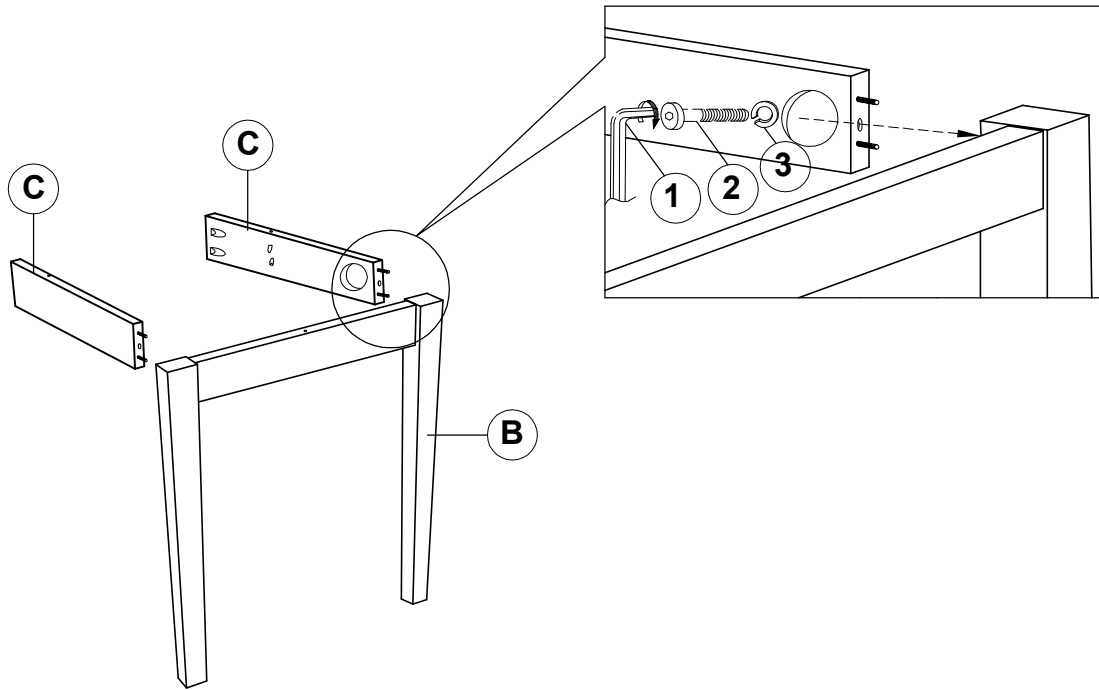
|   |  |  |      |
|---|--|--|------|
| 1 | ALLEN WRENCH<br>(M4 x 110mm - BLK)         |  | 1PC  |
| 2 | BOLT<br>(M6 x 50mm - RBW)                  |  | 6PCS |
| 3 | LOCK WASHER<br>(1/4" - BLK)                |  | 6PCS |
| 4 | SHORT PAN HEAD SCREW<br>(#8 x 1" - BLK)    |  | 4PCS |
| 5 | LONG PAN HEAD SCREW<br>(#8 x 1 1/2" - BLK) |  | 4PCS |

### NOTE :

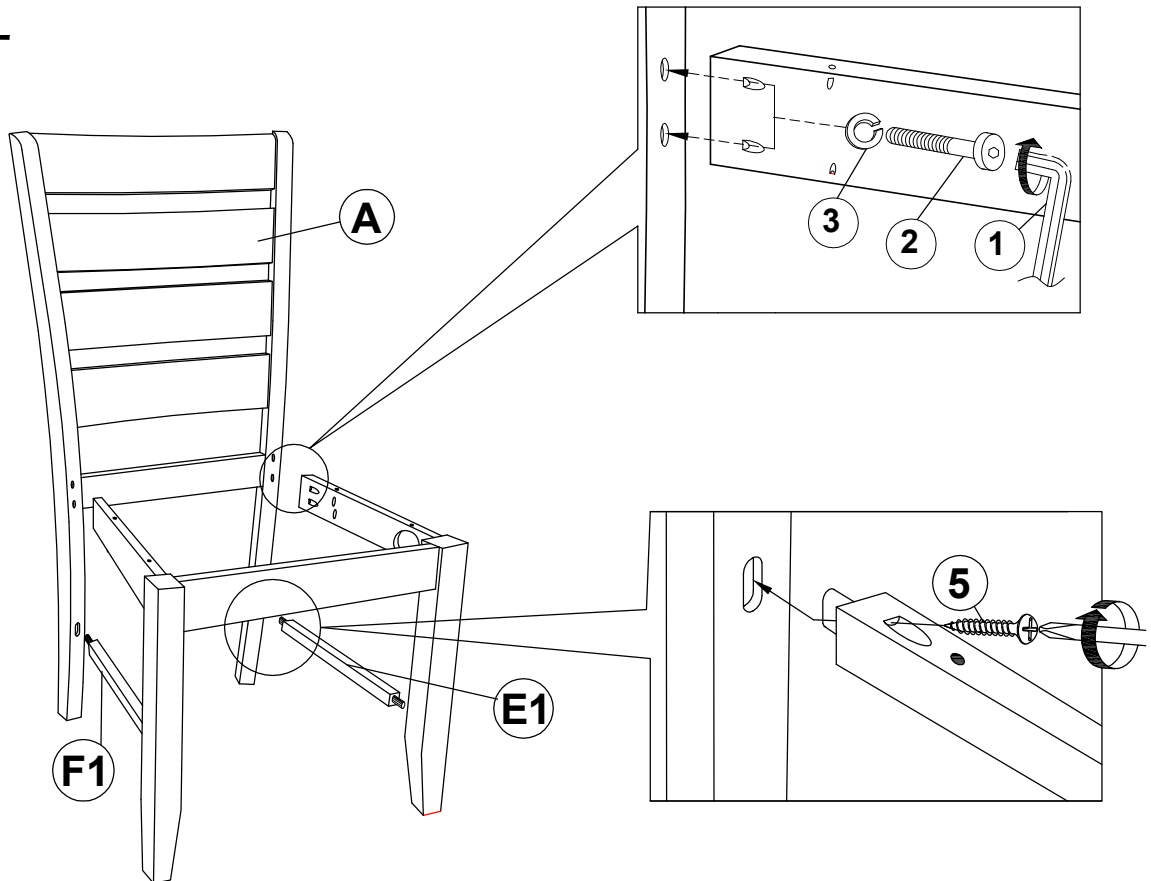
Phillips head screw driver is required in the assembly process. However, manufacturer does not provide this item. Quantities shown are for one chair.

# ASSEMBLY INSTRUCTIONS

## STEP 1

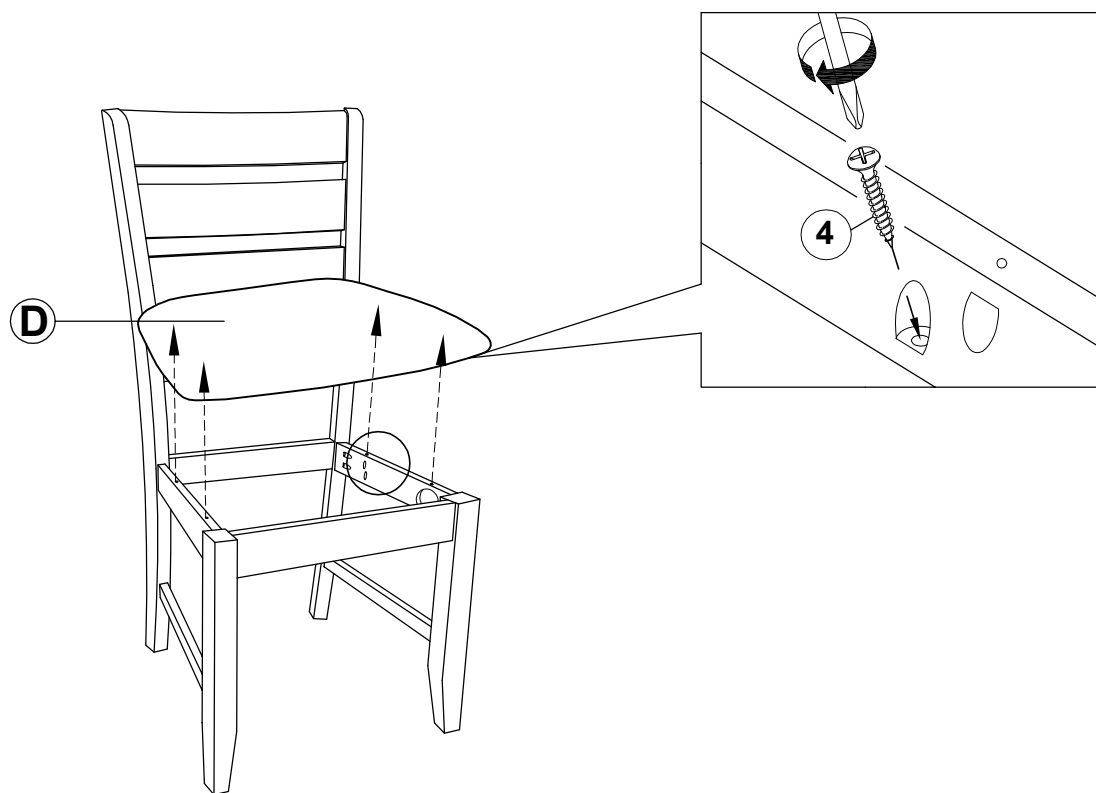


## STEP 2



# ASSEMBLY INSTRUCTIONS

## STEP 3



## STEP 4 COMPLETE

