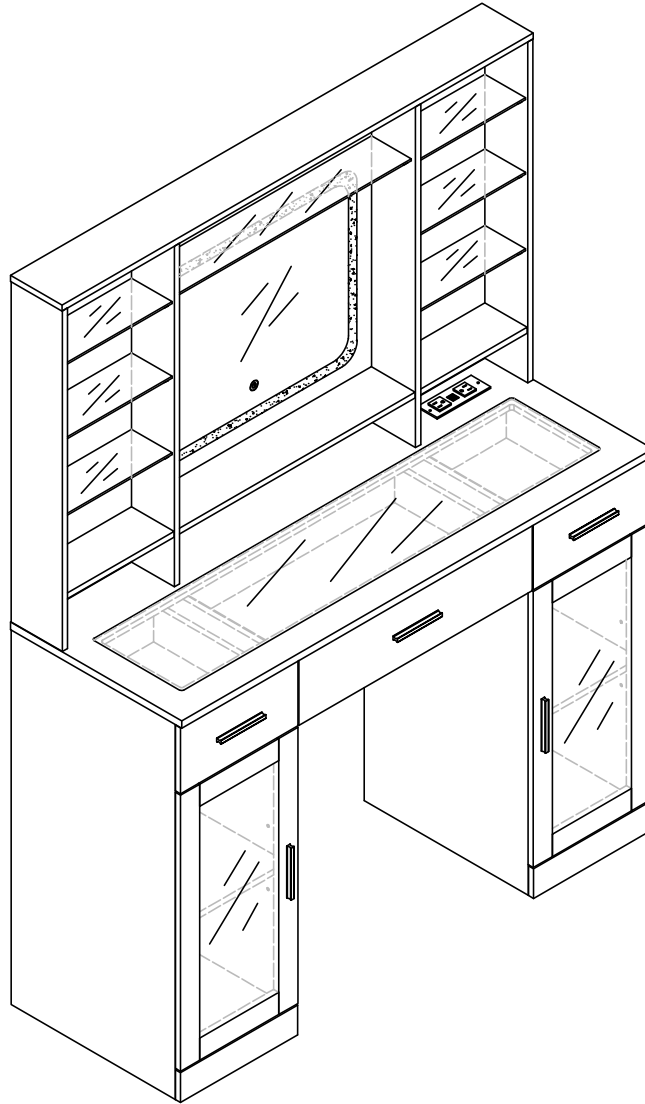

JY9949BS01

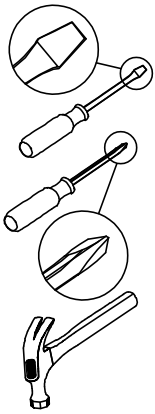


As this item contains many parts, please read the installation instruction carefully before installation . Please use tools properly and carefully. If you have any questions about the product and installation, please contact us.

hosoteservice@gmail.com

Our professional after-sales team will serve you online all day.

Before You Start



- ✓ Read through each step carefully and follow the proper order
- ✓ Separate and count all your parts and hardware
- ✓ Give yourself enough room for the assembly process
- ✓ Have the following tools: Flat Head Screwdriver, #2 Phillips Head Screwdriver and Hammer
- ✓ Caution: If using a power drill or power screwdriver for screwing, please be aware of to slow down and stop when screw is tight. Failure to do so may result in stripping the screw. (Assembly speed can be increased by using electric screwdriver)

Helpful Hints

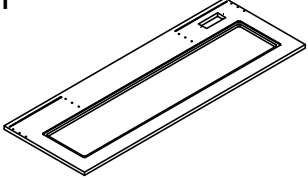
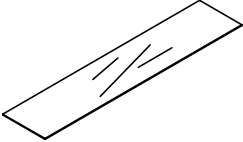
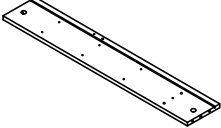
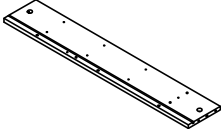
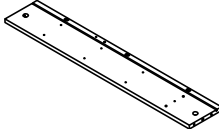
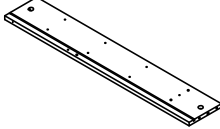
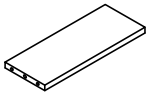
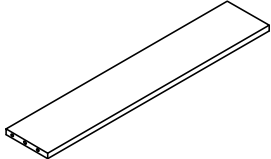
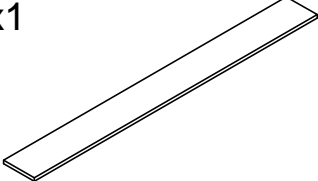
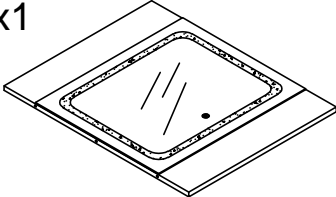
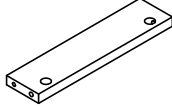
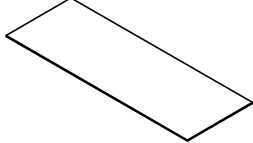

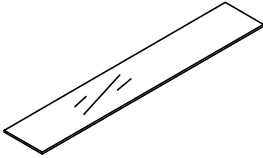
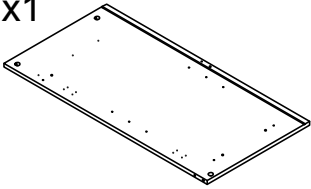
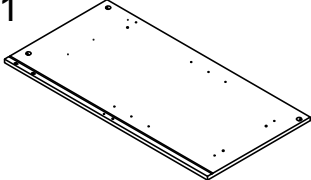
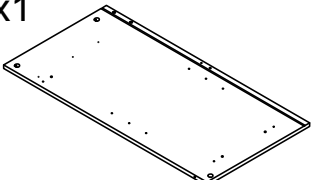
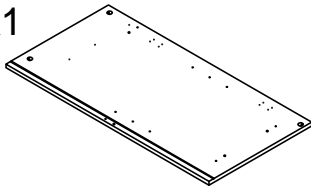
PEOPLE NEEDED FOR ASSEMBLY: 1-2

- Open your item in the area you plan to keep it to avoid excessive heavy lifting.
- Identify, sort and count the parts before attempting assembly.
- Compression dowels are lightly tapped in with a hammer.
- Slides are labeled with an R (right) and L (left) for proper placement.
- Make sure to always face the point on the top of the Cam Lock towards the outer edge.
- If there is a back panel in the package, please install it to make sure your unit is complete and sturdy.
- Please fix all the screws provided for the back panel which can enhance product stability. If it is difficult to fix it when tightening, it can be fixed with the help of a hammer and then tightened.
- Do NOT use harsh chemicals or abrasive cleaners on this item.
- Never push, pull, or drag your furniture.



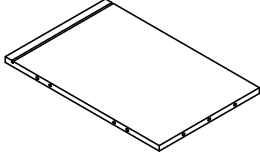
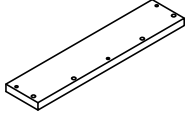
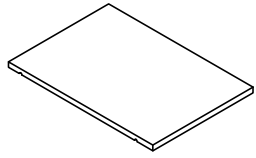
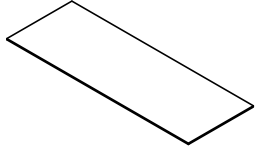
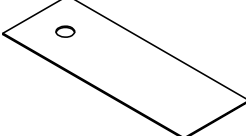
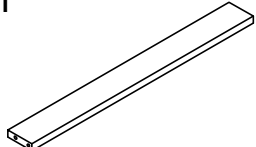
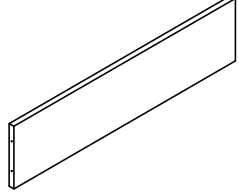
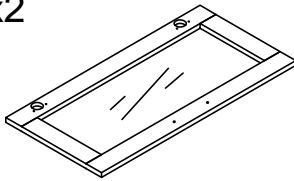
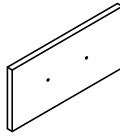
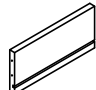
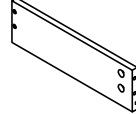
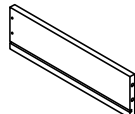
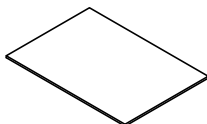
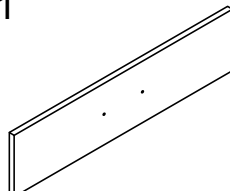
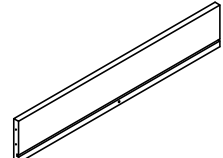
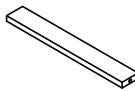
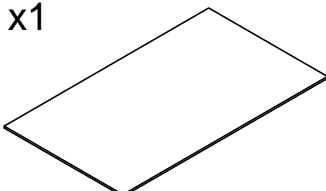
Board Identification

Not actual size

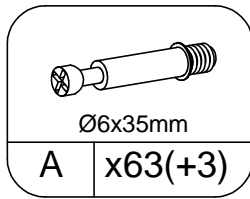
①x1 	②x1 	③x1 
Panel	Panel glass	Upper left panel
④x1 	⑤x1 	⑥x1 
Upper and middle partition	Upper and middle partition	Upper right panel
⑦x2 	⑧x1 	⑨x1 
Upper left and right layer boards	Upper and middle layer board	Top plate
⑩x1 	⑪x6 	⑫x2 
Mirror	Back brace	Upper back plate
⑬x6 	⑭x1 	⑮x1 
Left and right glass laminates	Medium glass laminate	Lower left side
⑯x1 	⑰x1 	⑱x1 
Left cabinet right board	Left panel of right cabinet	Right side panel

Board Identification

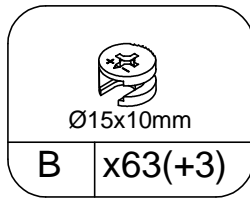
Not actual size

<p>①9 x2</p> 	<p>②0 x2</p> 	<p>②1 x2</p> 
Lower left cabinet bottom plate	Skirting board	Lower activity layer board
<p>②2 x1</p> 	<p>②3 x1</p> 	<p>②4 x1</p> 
Left lower cabinet back panel	Lower right cabinet back panel	Bottom cabinet front brace
<p>②5 x1</p> 	<p>②6 x2</p> 	<p>②7 x2</p> 
Bottom cabinet rear upper brace	Glass door panel	Small drawer panel
<p>②8 x2</p> 	<p>②9 x3</p> 	<p>③0 x3</p> 
Small drawer back panel	Drawer left panel	Drawer right panel
<p>③1 x2</p> 	<p>③2 x1</p> 	<p>③3 x1</p> 
Small drawer bottom plate	Large drawer panel	Rear panel of large drawer
<p>③4 x1</p> 	<p>③5 x1</p> 	
Bottom strip of large drawer	Large drawer base plate	

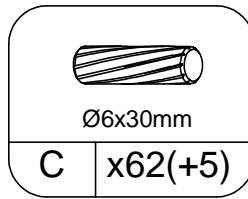
Part List



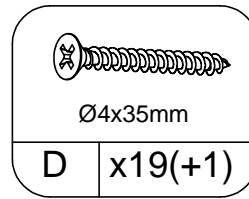
Cam Bolt



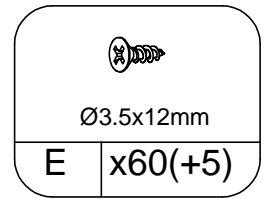
Cam Lock



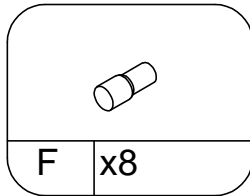
Dowel



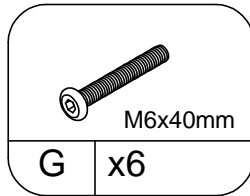
Flat Head
Tapping Screw



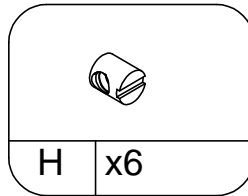
Sliding Track Screw



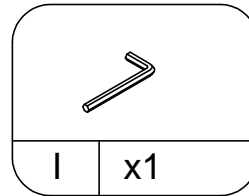
Lamina Torus



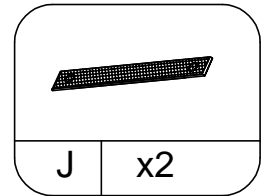
Cross bolt



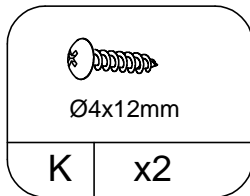
Vertical nut



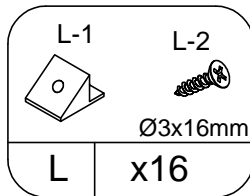
Hexagon Socket
Handle



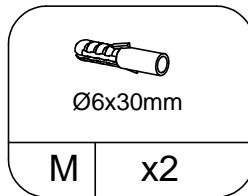
Anti-Fall Strip



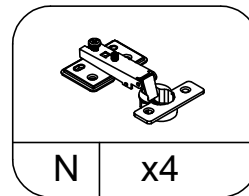
Round head screw



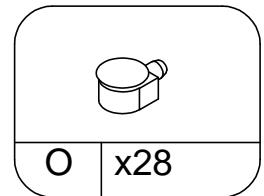
Back Buckle
and screw



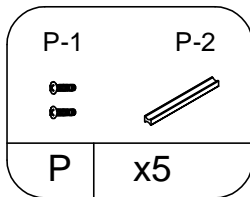
Plastic Expansion



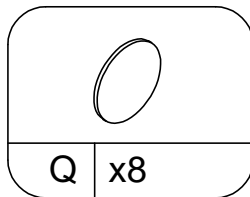
Hinge



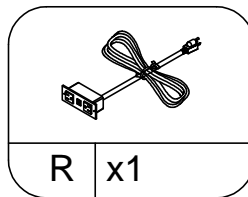
Glass suction cup



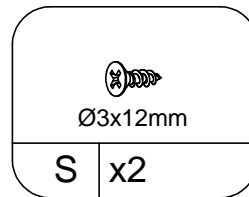
Handle screw
and handle



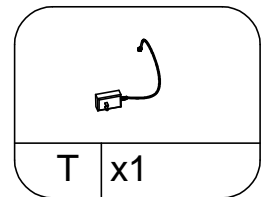
Hole sticker



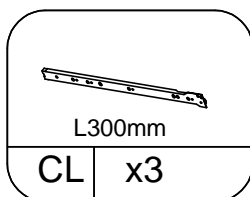
Socket



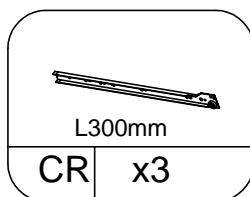
Screw



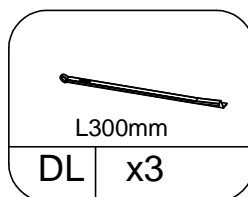
Power Supply



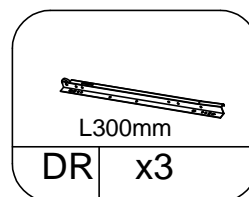
Sliding Track



Sliding Track



Sliding Track



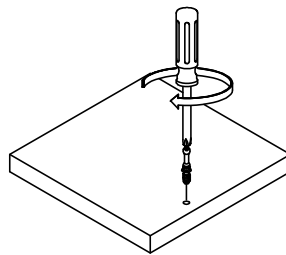
Sliding Track

Part List

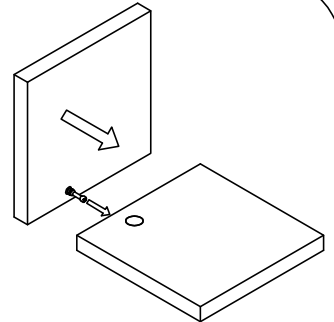
Cam Lock Fastening System

Insert the cam bolt into the hole first, then insert the cam lock and lock it.

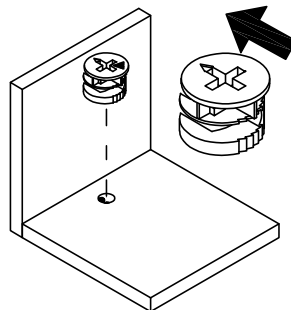
1



2

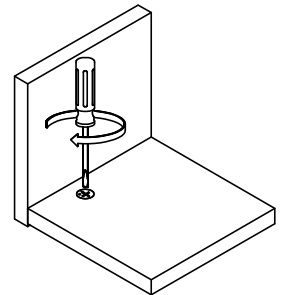


3



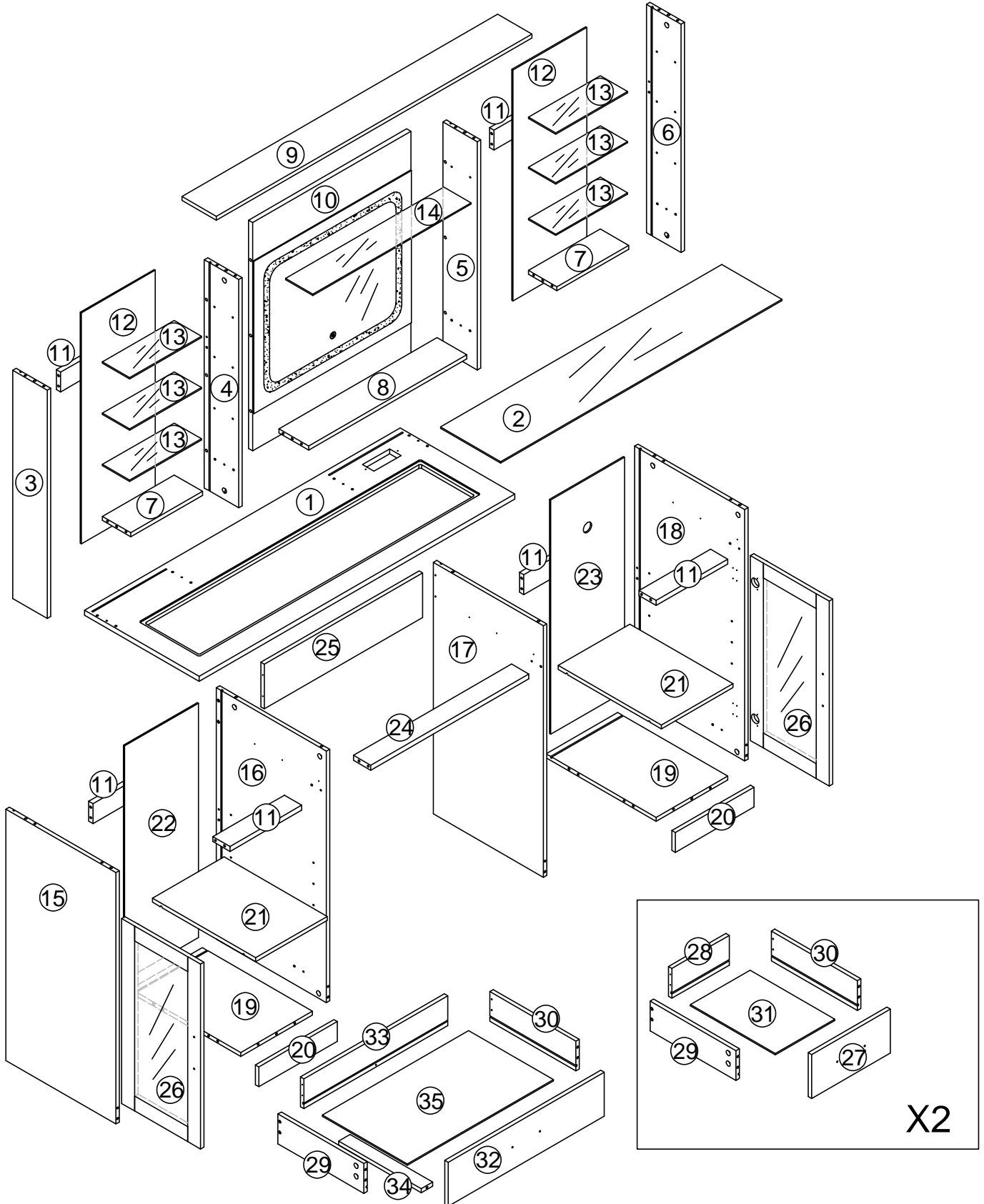
The opening must point toward the edge of the board

4

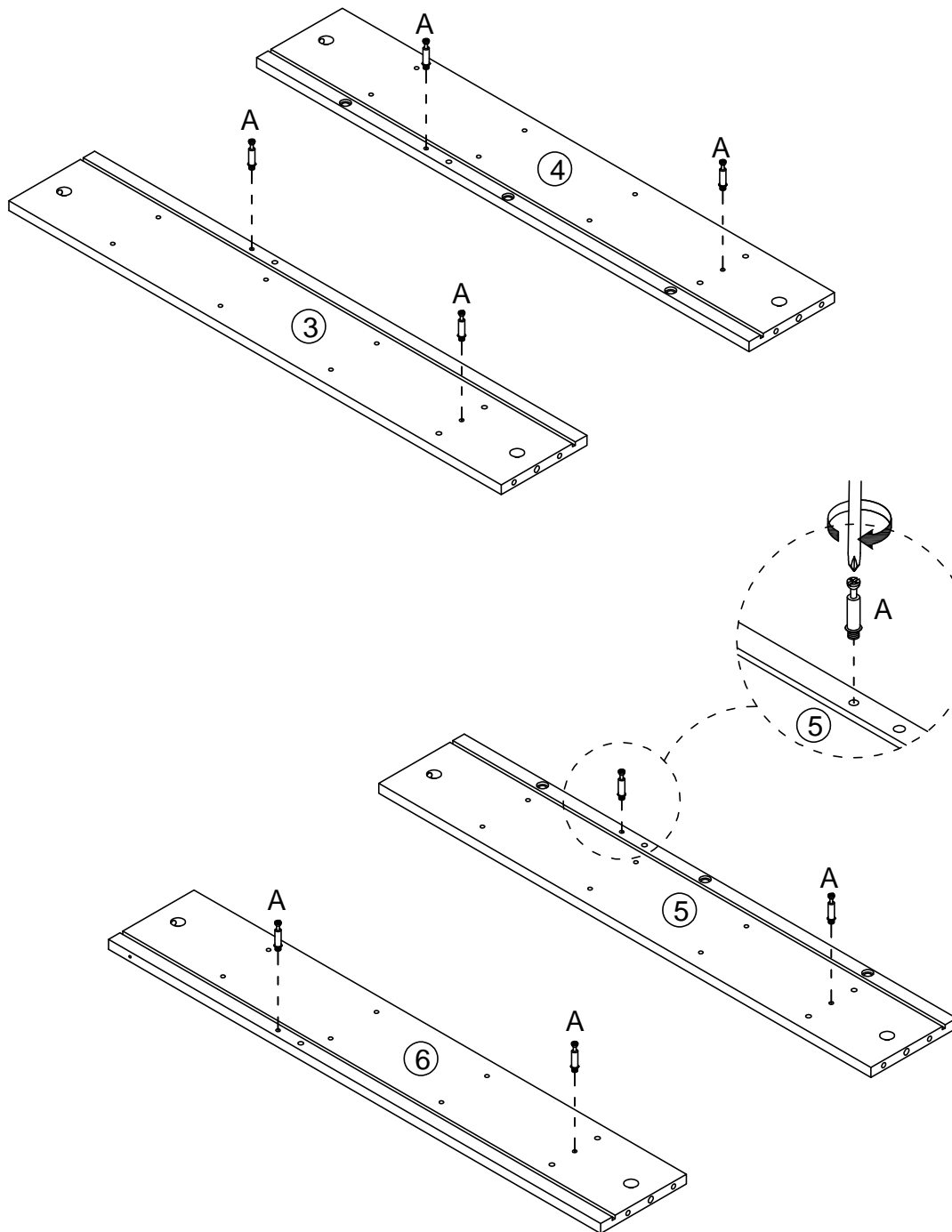
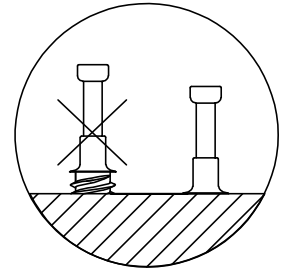
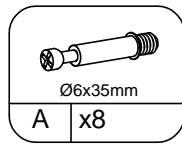
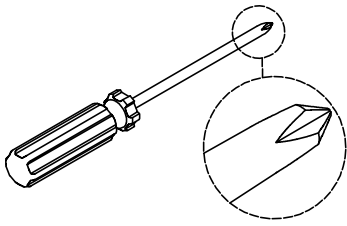


Board Identification

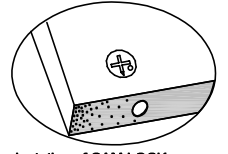
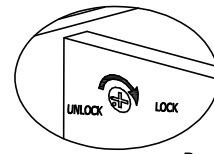
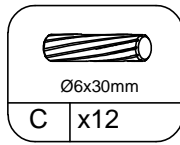
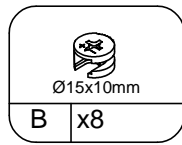
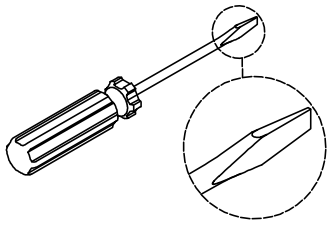
Not actual size



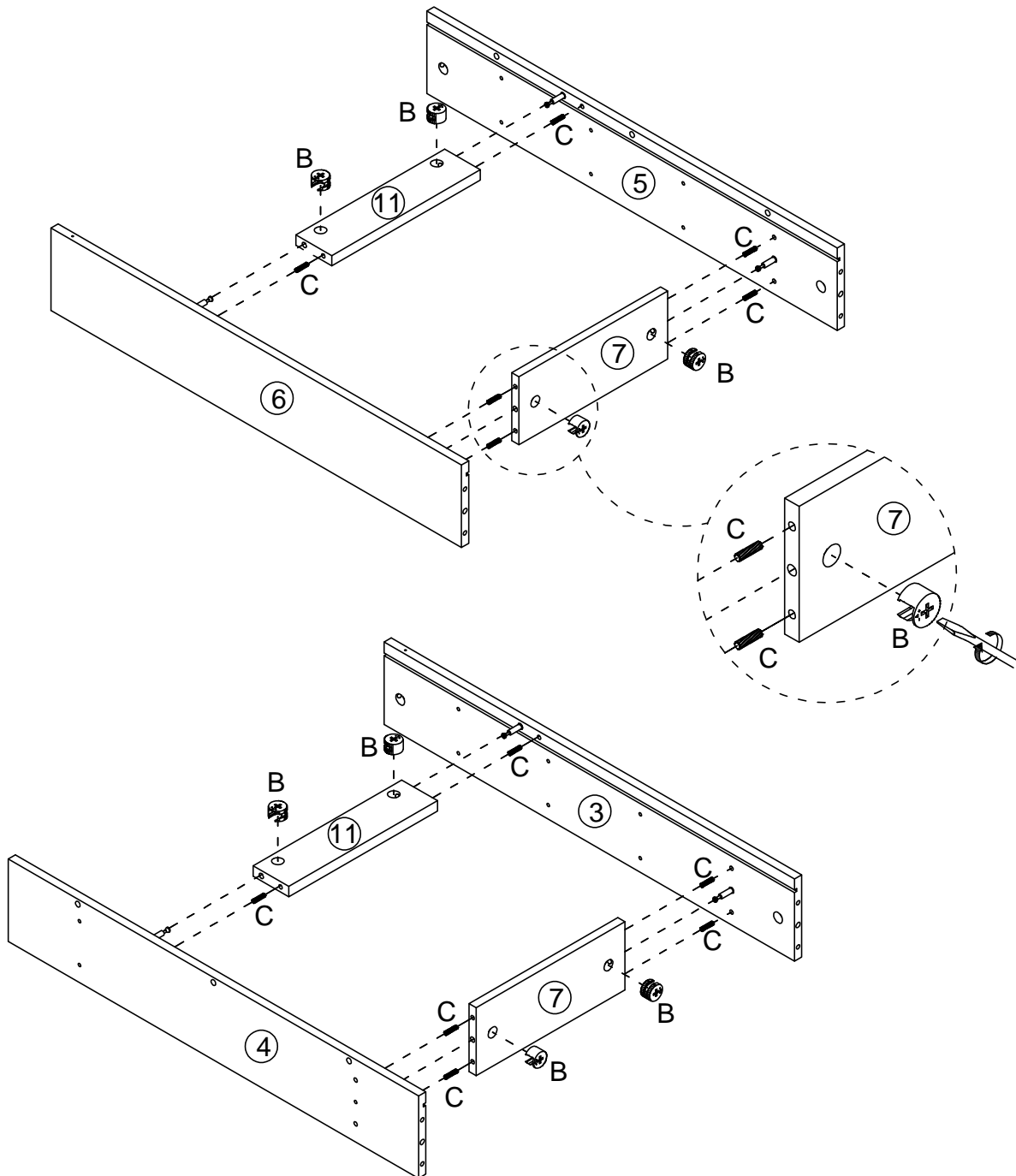
STEP 1



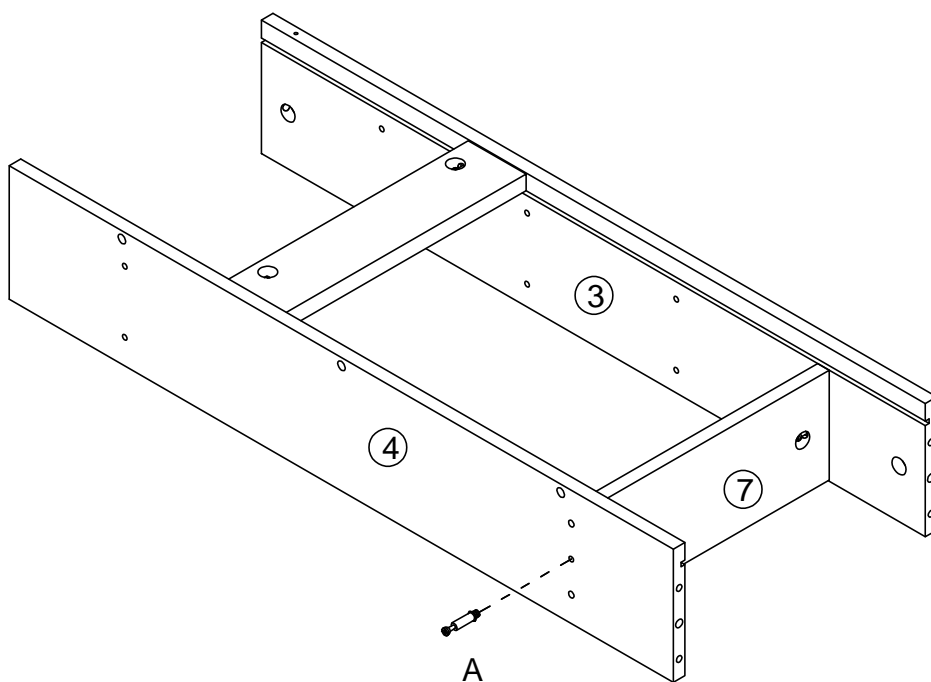
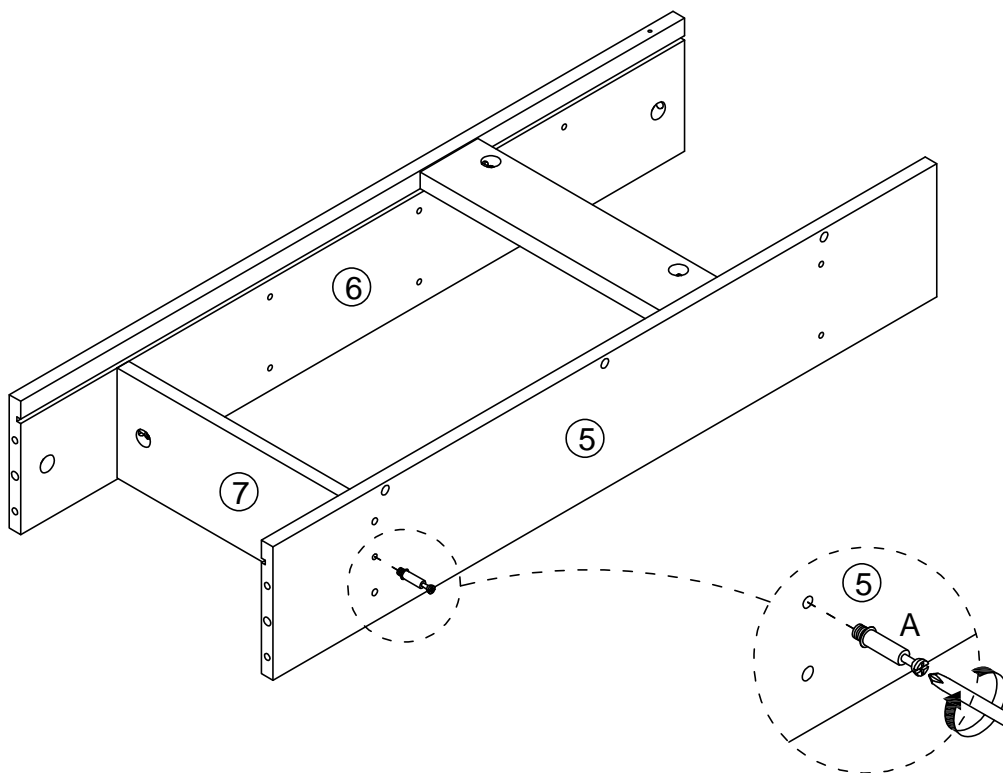
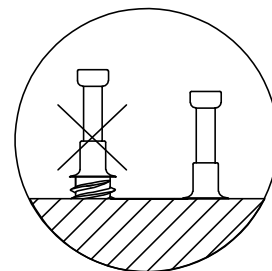
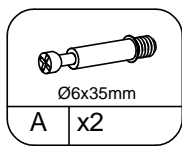
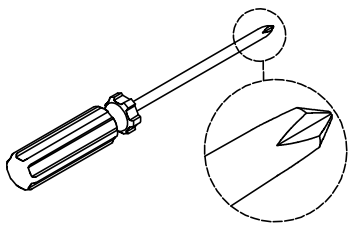
STEP 2



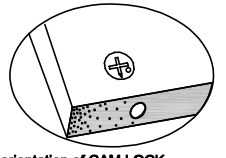
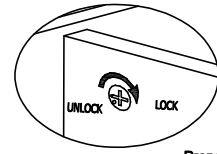
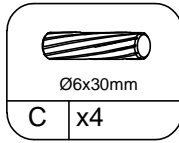
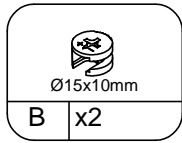
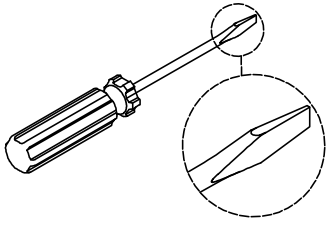
Proper orientation of CAM LOCK



STEP 3



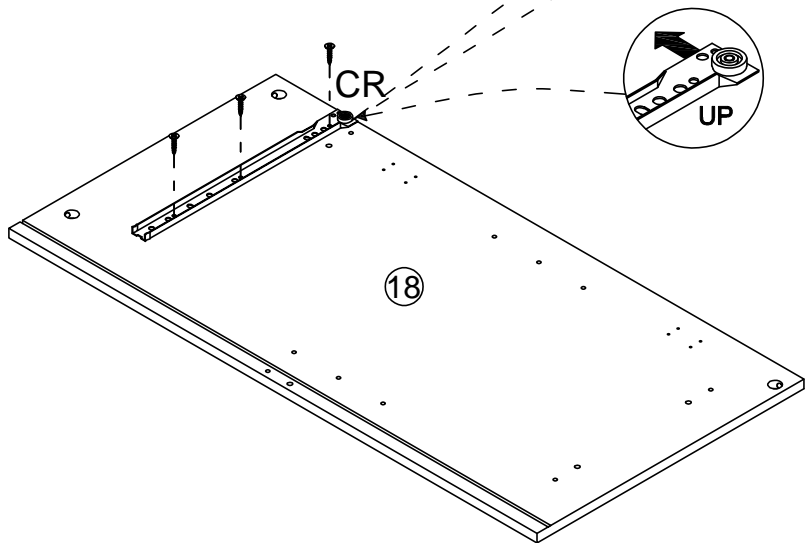
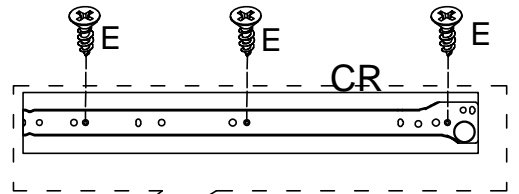
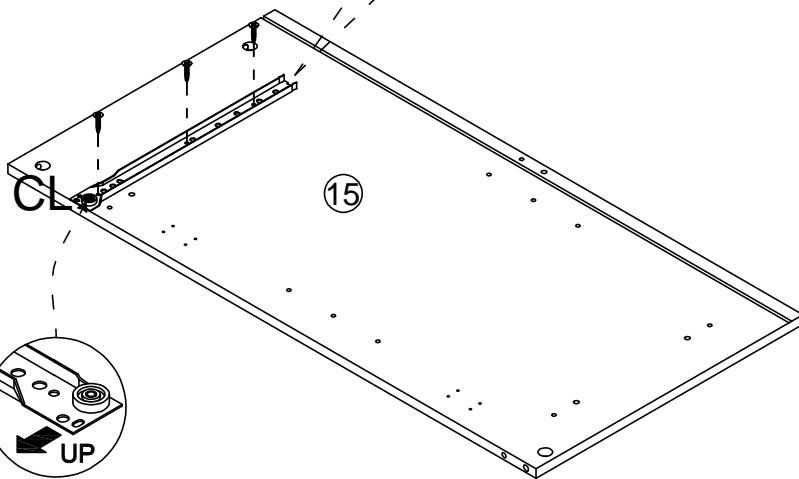
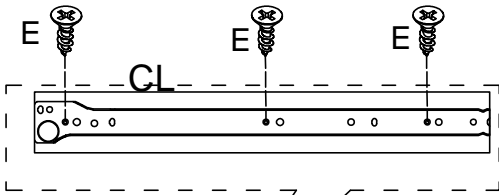
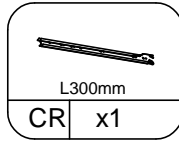
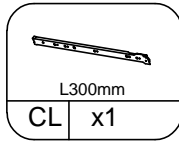
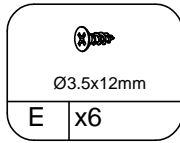
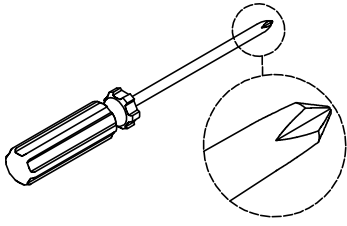
STEP 4



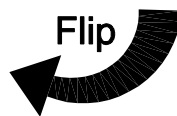
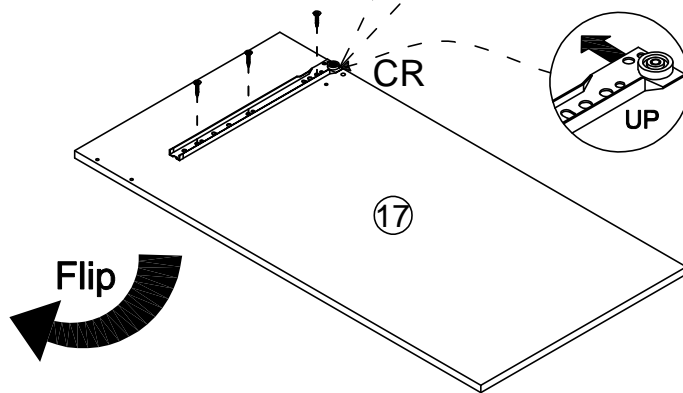
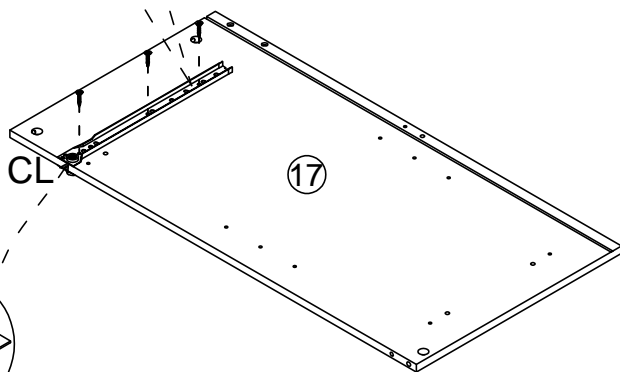
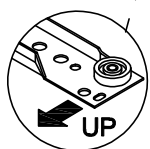
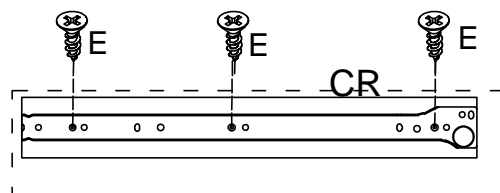
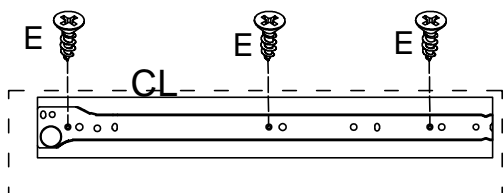
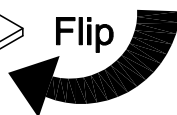
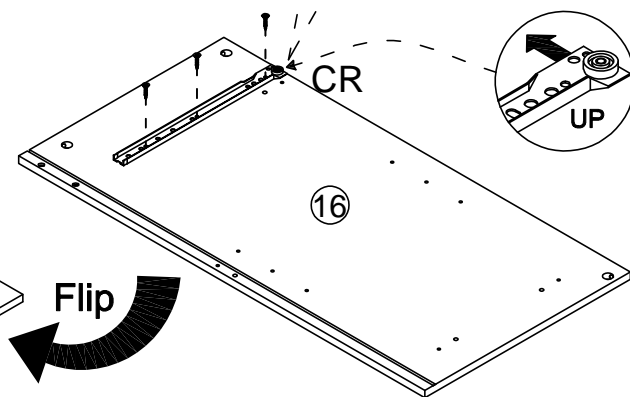
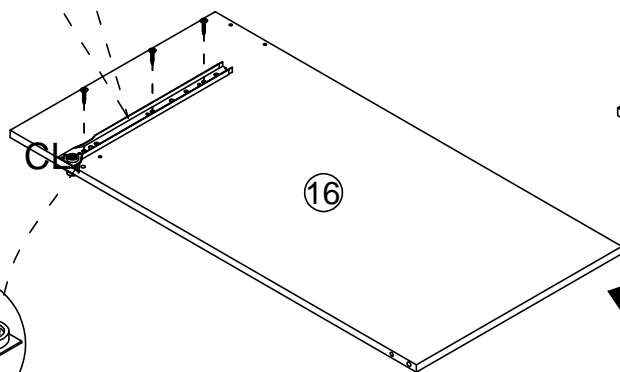
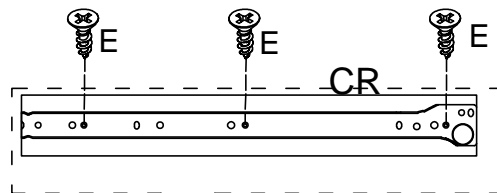
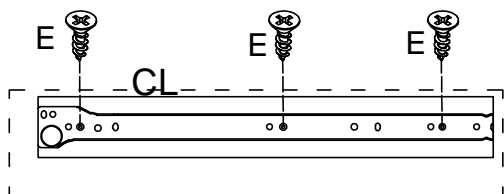
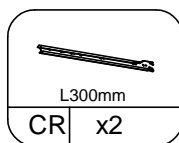
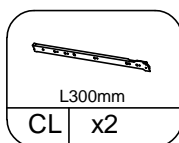
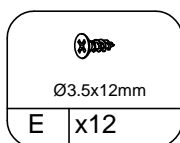
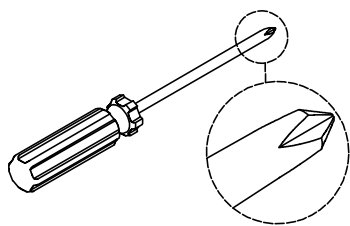
Proper orientation of CAM LOCK



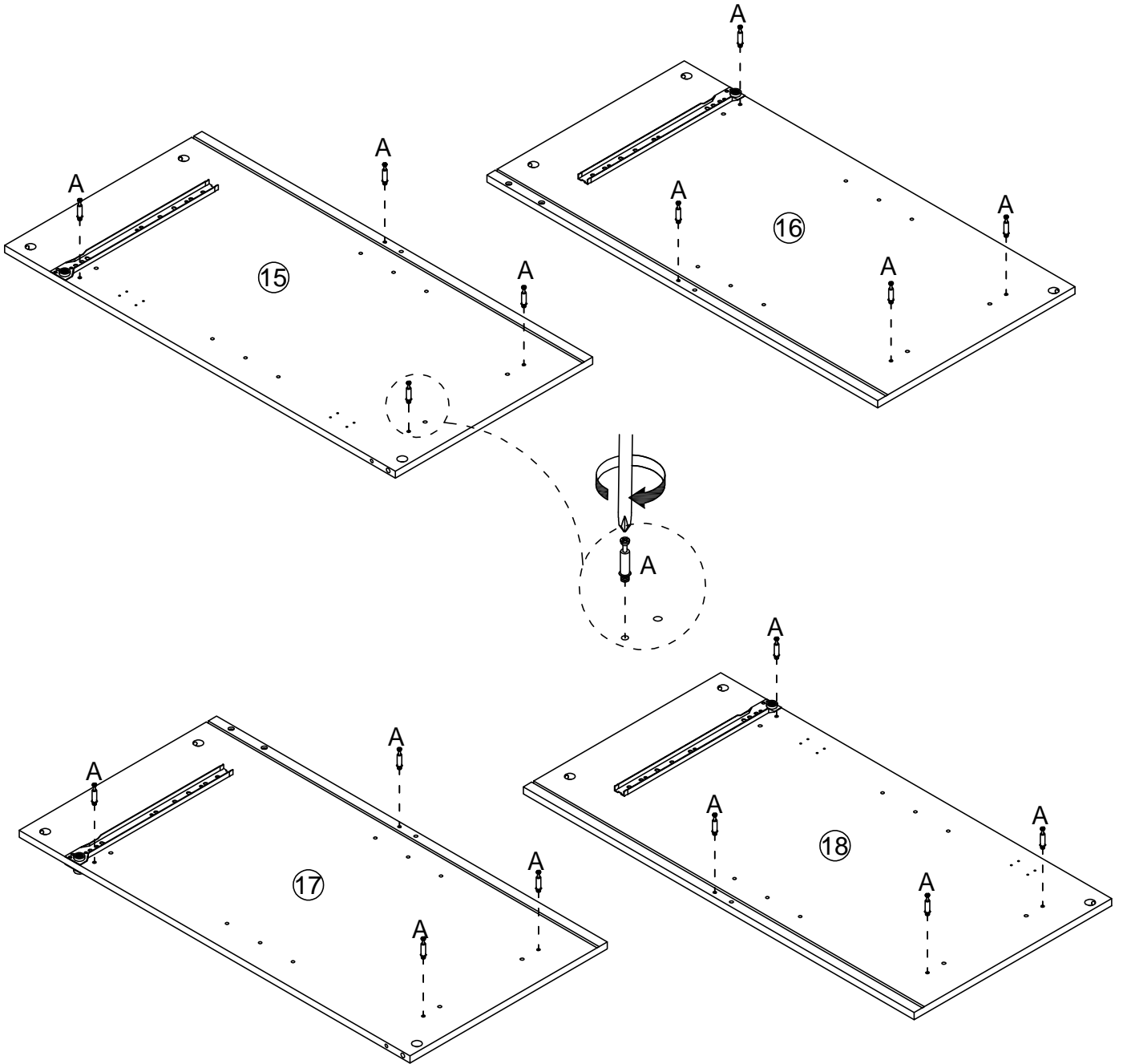
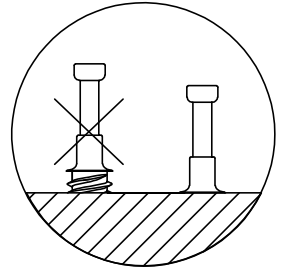
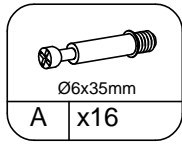
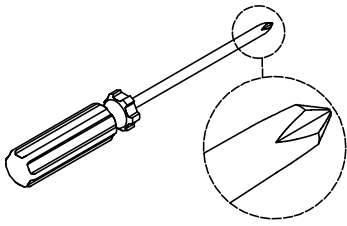
STEP 5



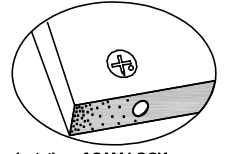
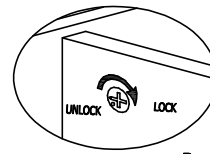
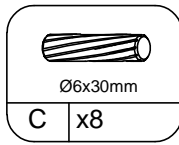
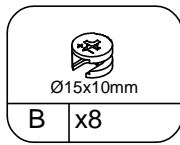
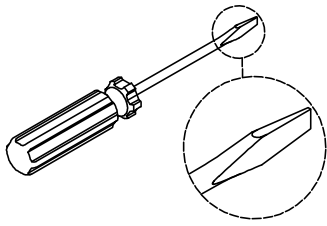
STEP 6



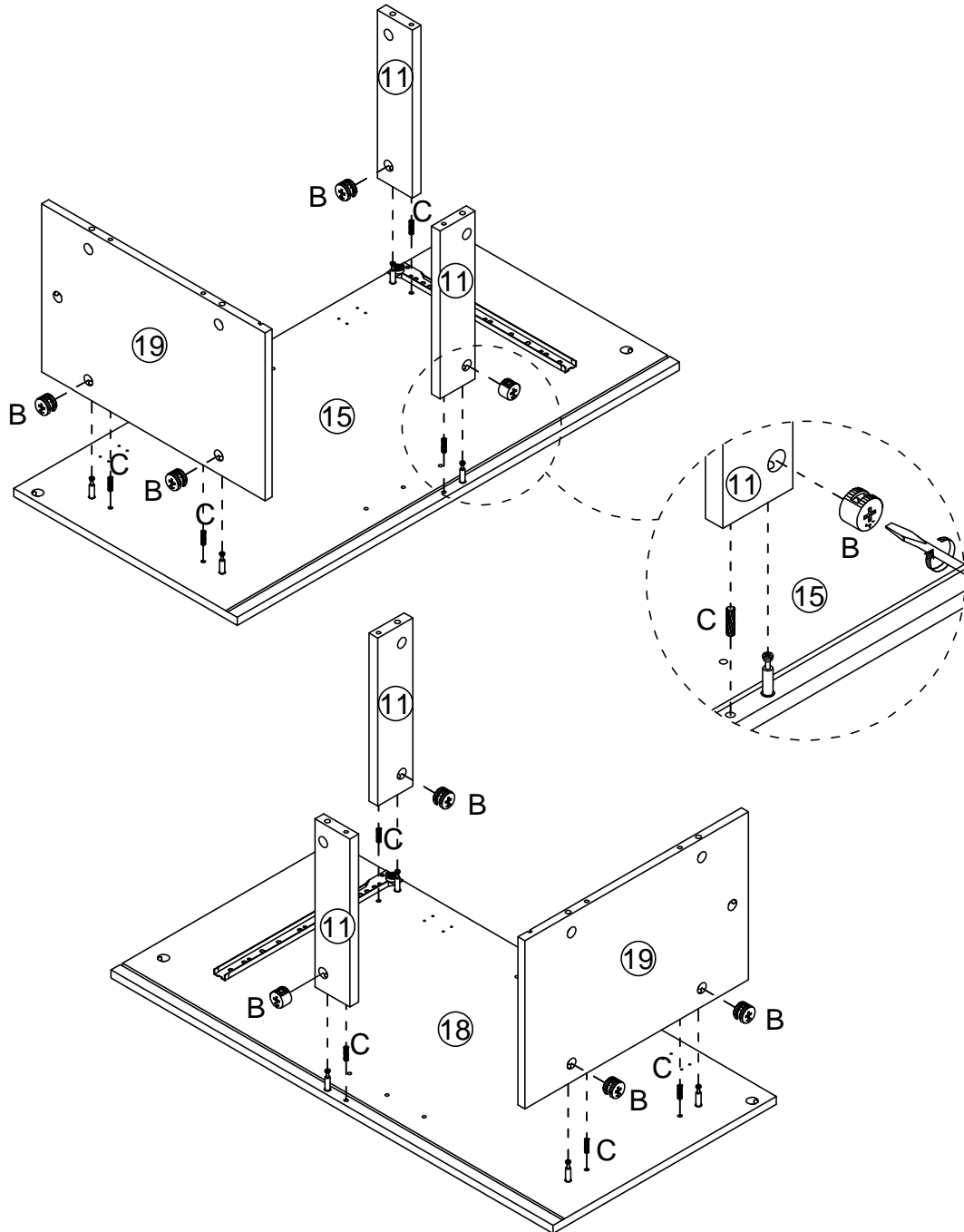
STEP 7



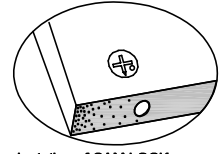
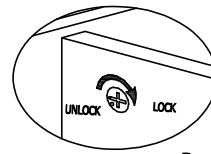
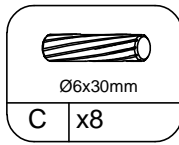
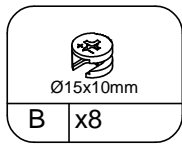
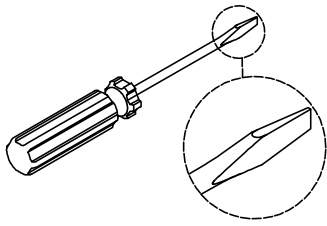
STEP 8



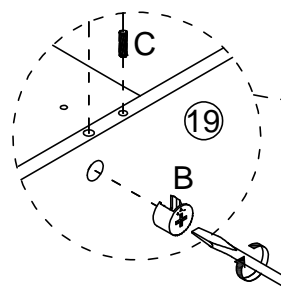
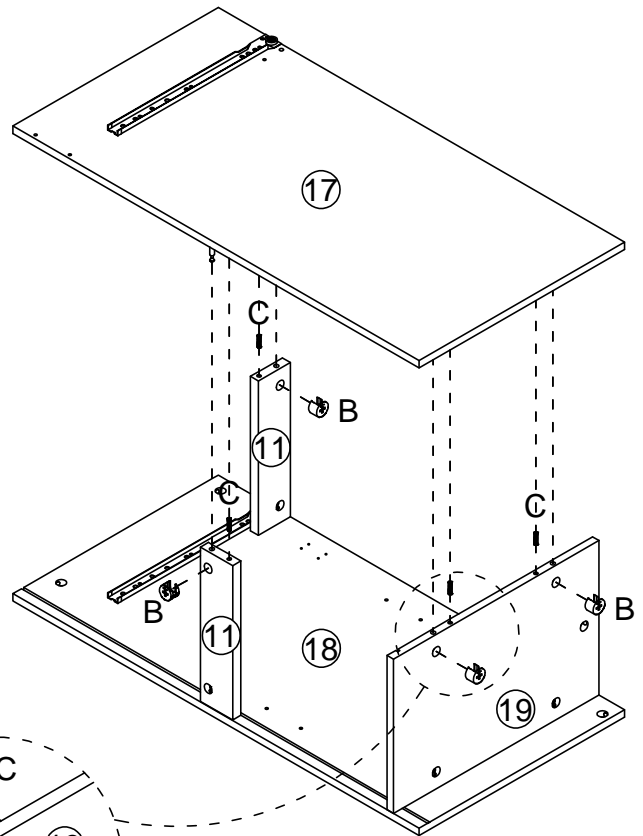
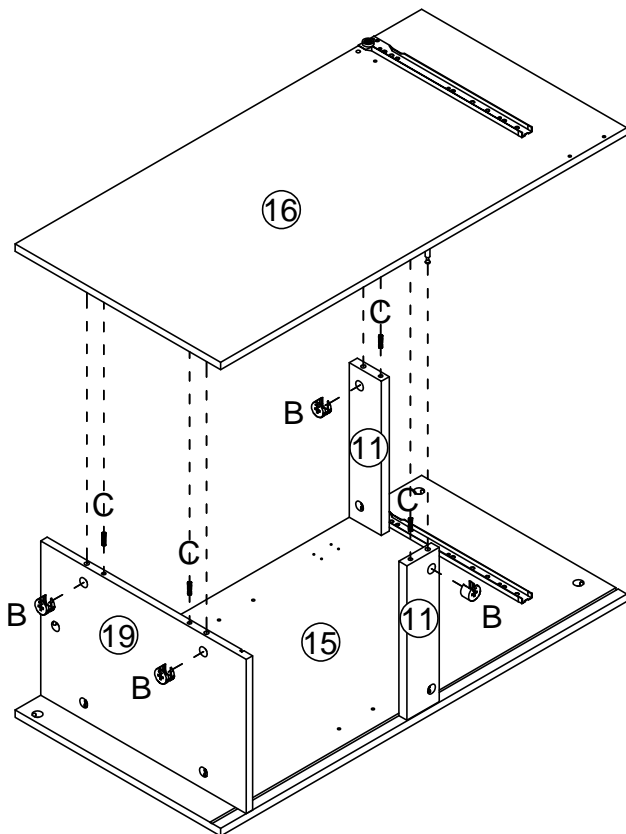
Proper orientation of CAM LOCK



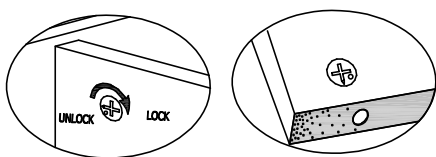
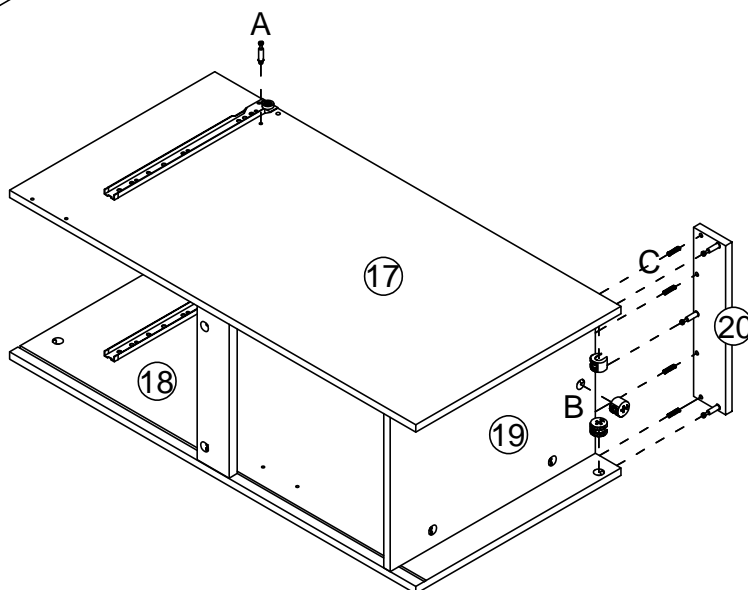
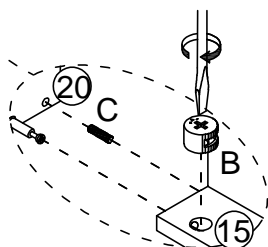
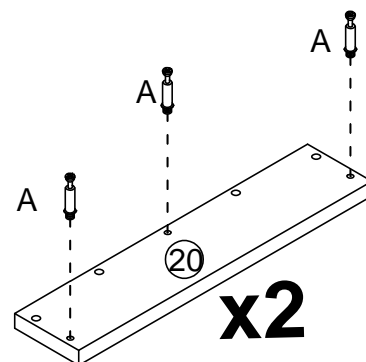
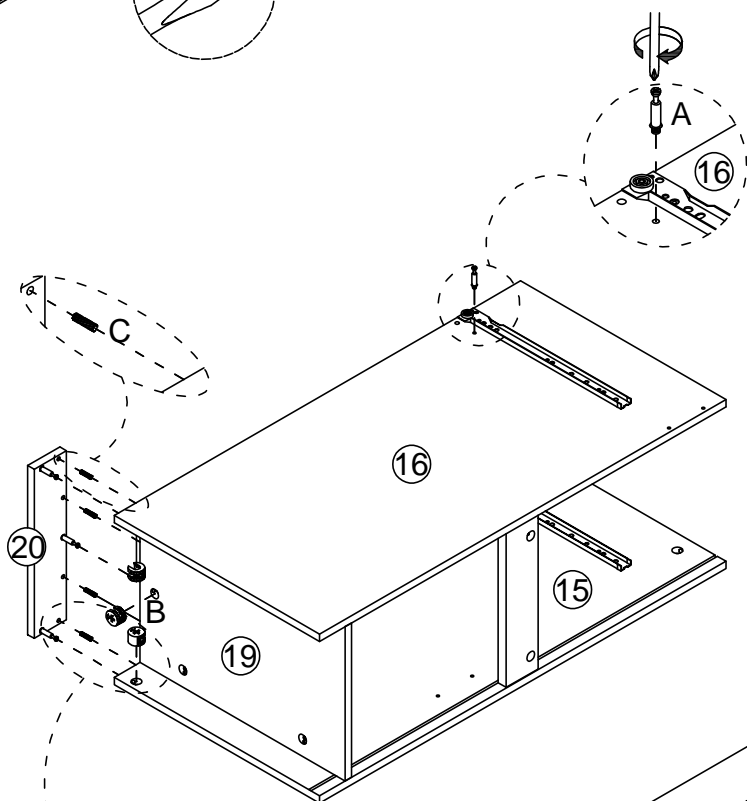
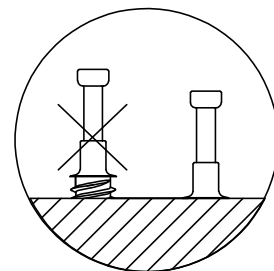
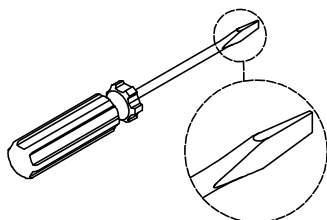
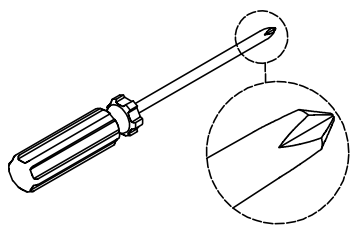
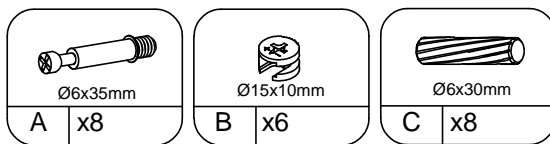
STEP 9



Proper orientation of CAM LOCK

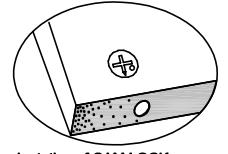
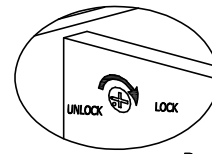
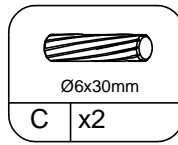
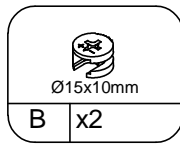
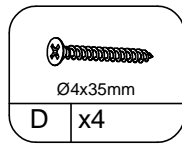
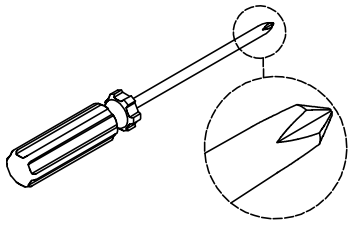


STEP 10

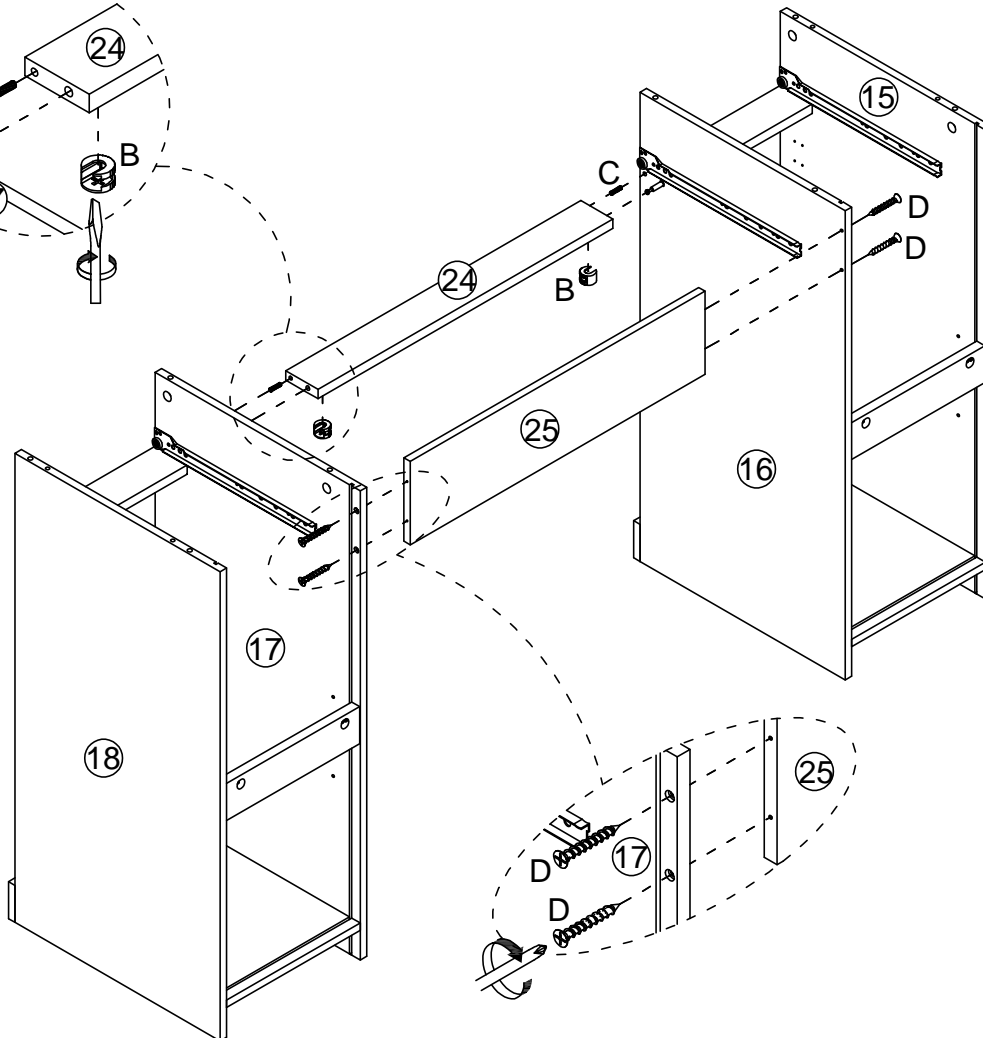
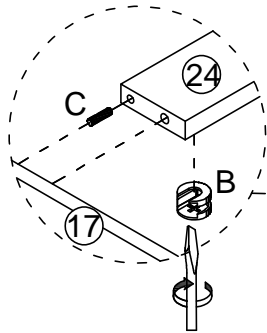
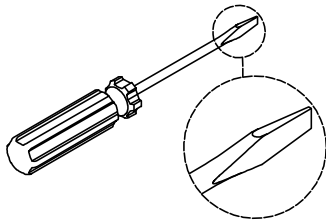


Proper orientation of CAM LOCK

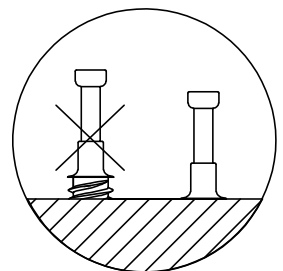
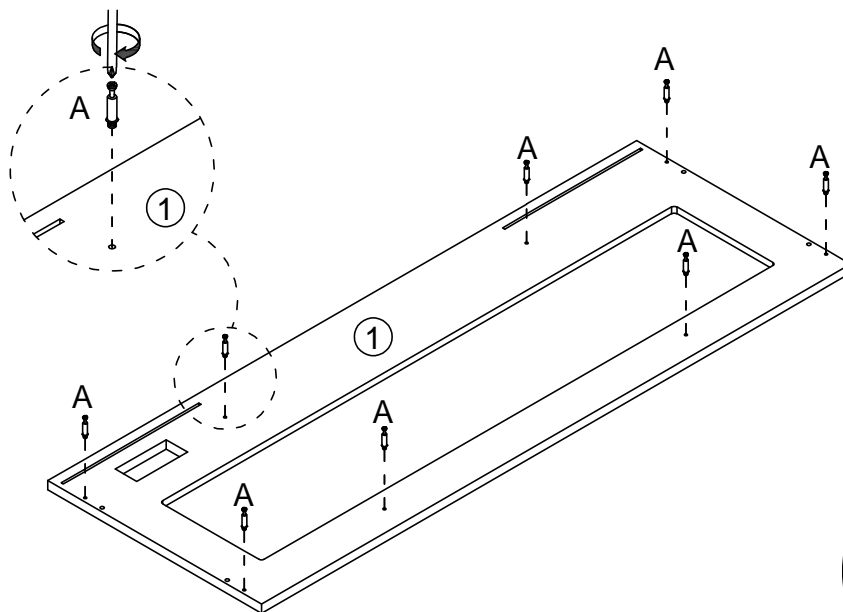
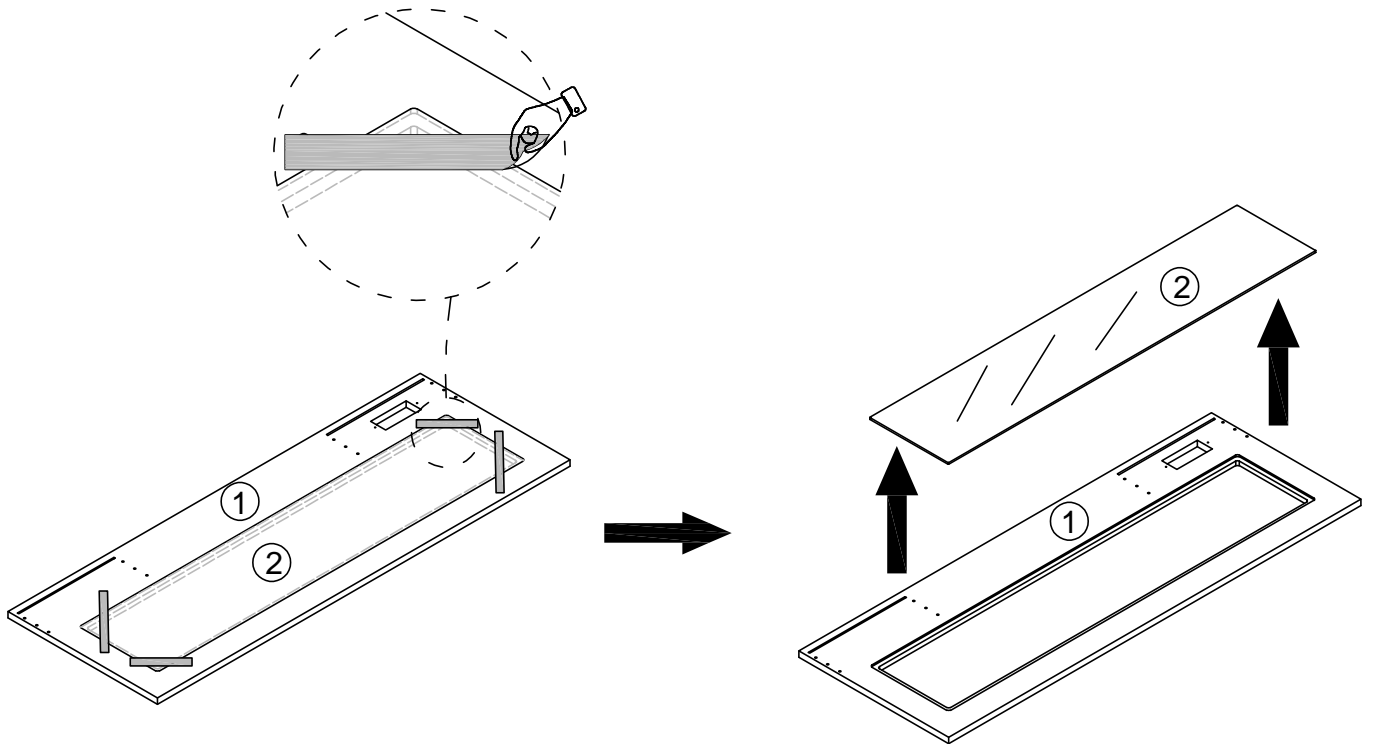
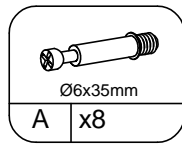
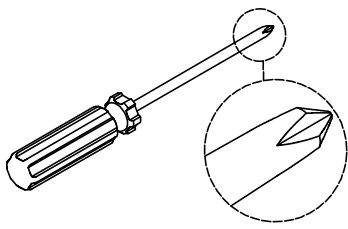
STEP 11



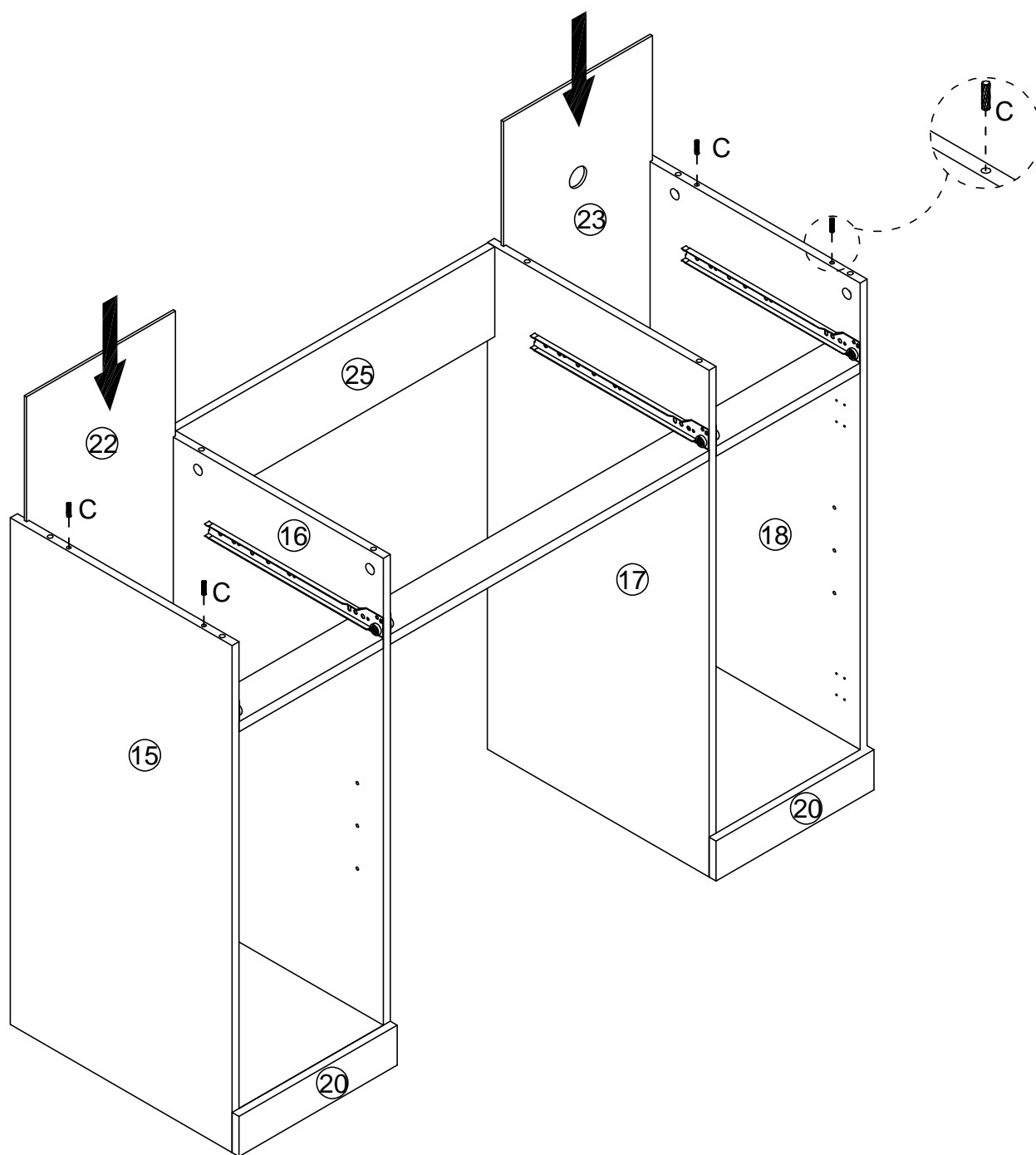
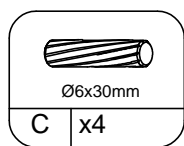
Proper orientation of CAM LOCK



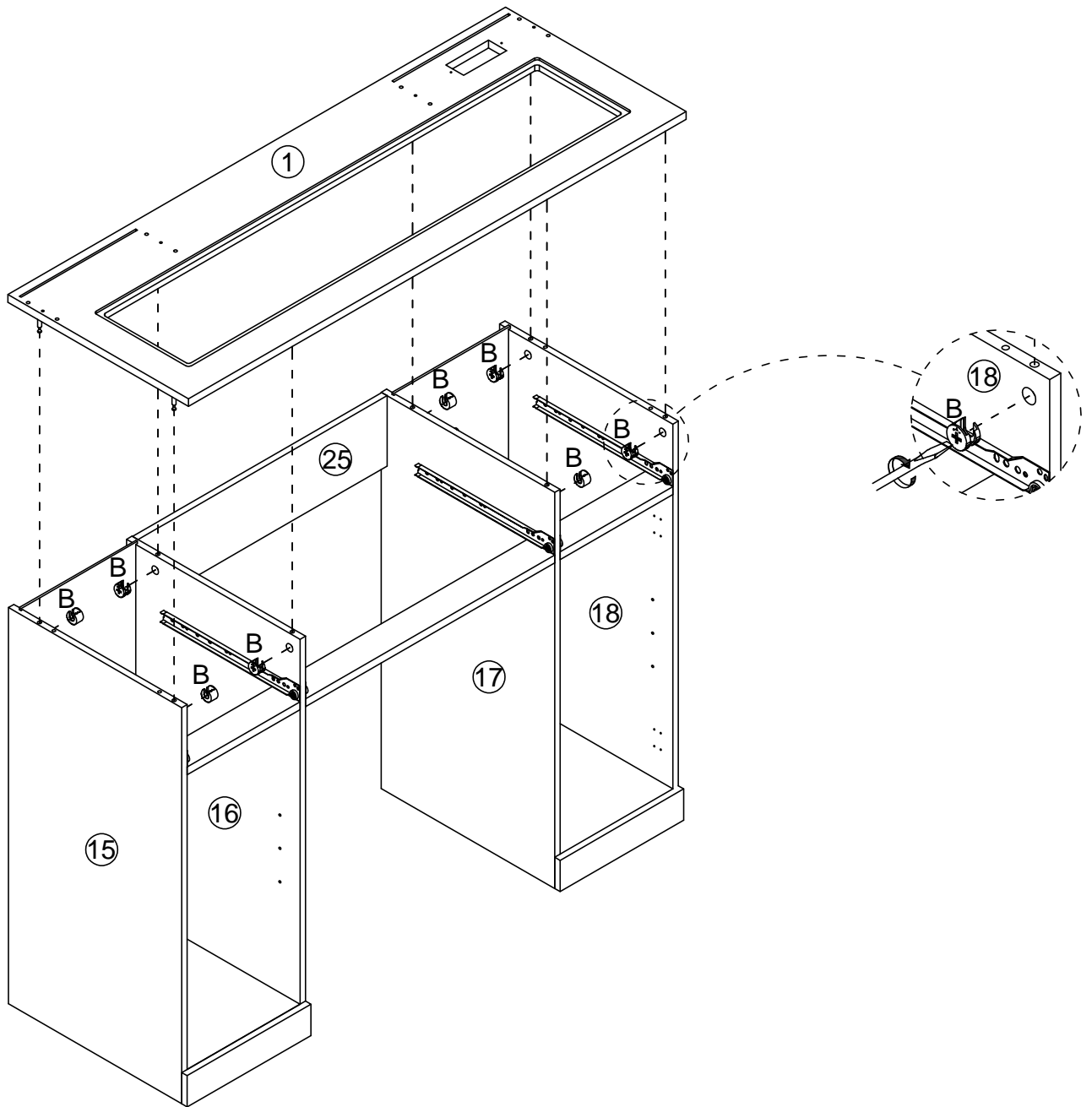
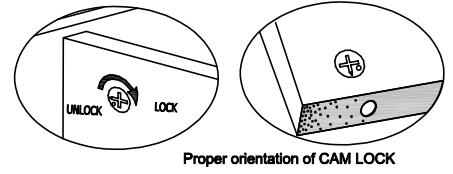
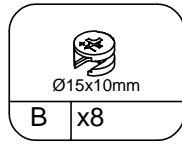
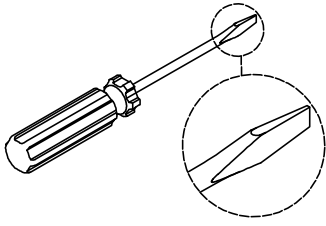
STEP 12



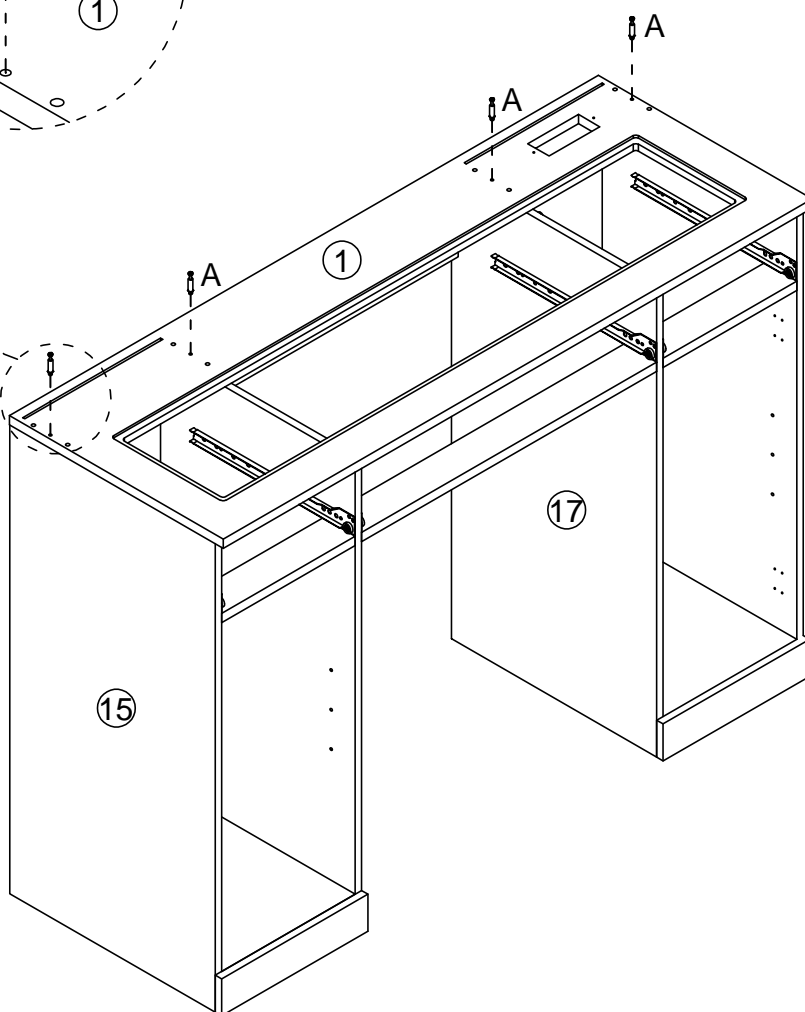
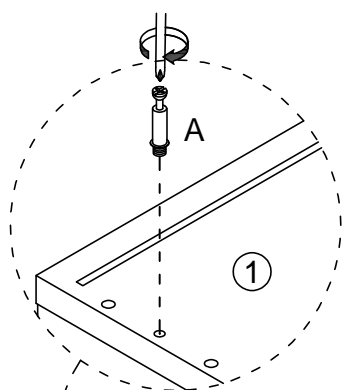
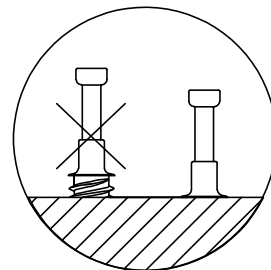
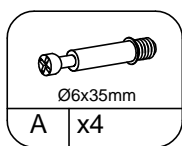
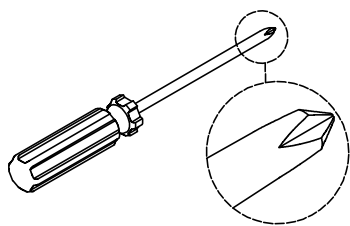
STEP 13



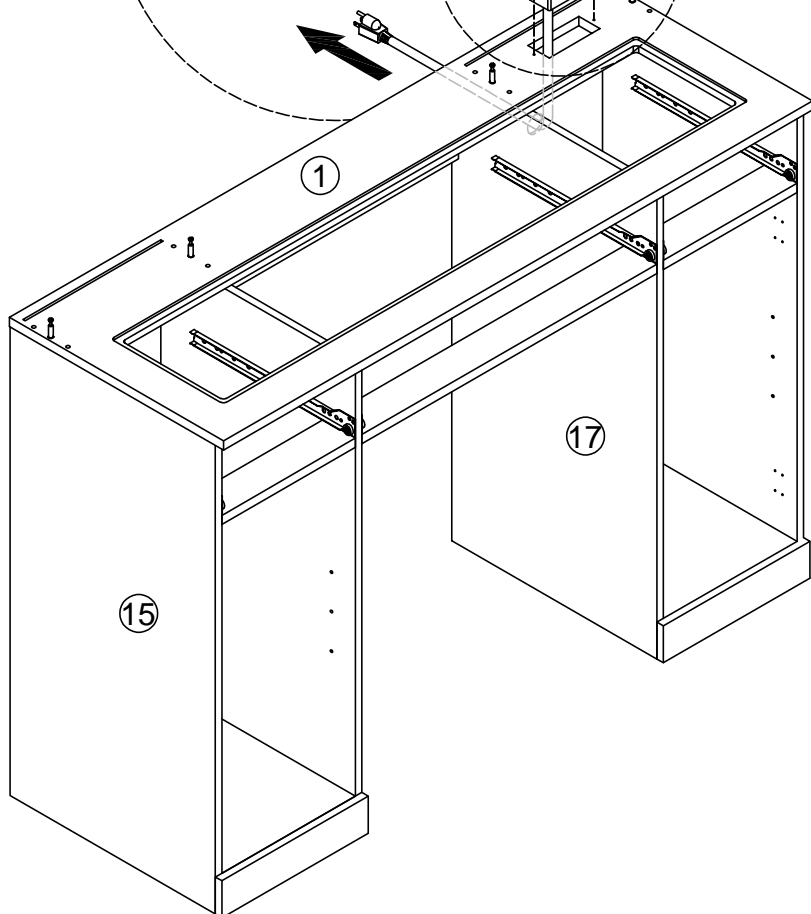
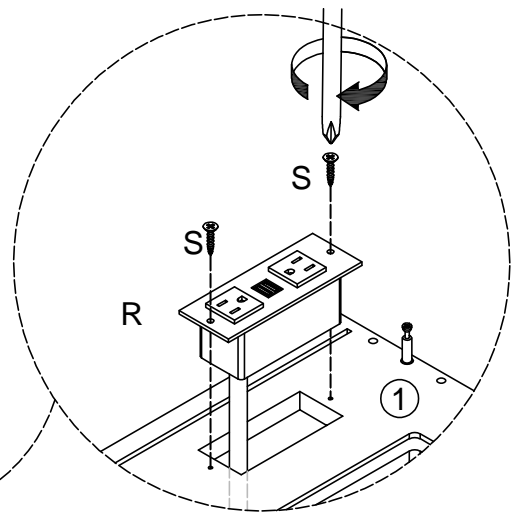
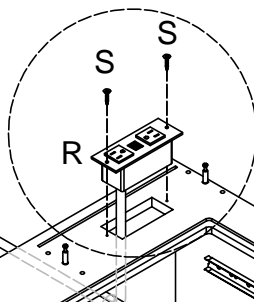
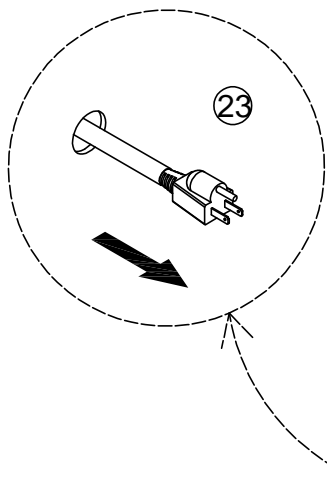
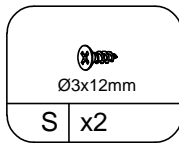
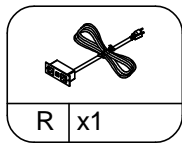
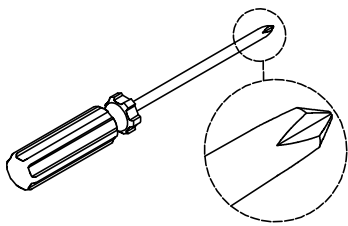
STEP 14



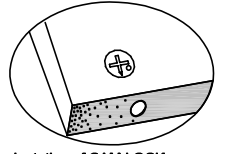
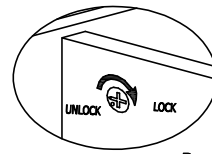
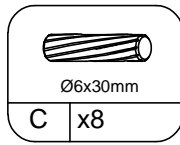
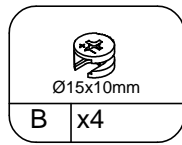
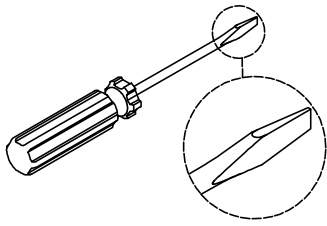
STEP 15



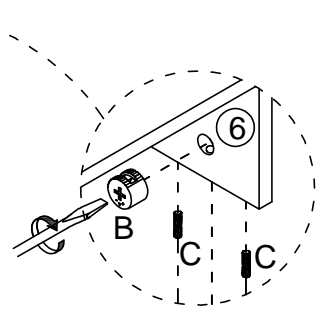
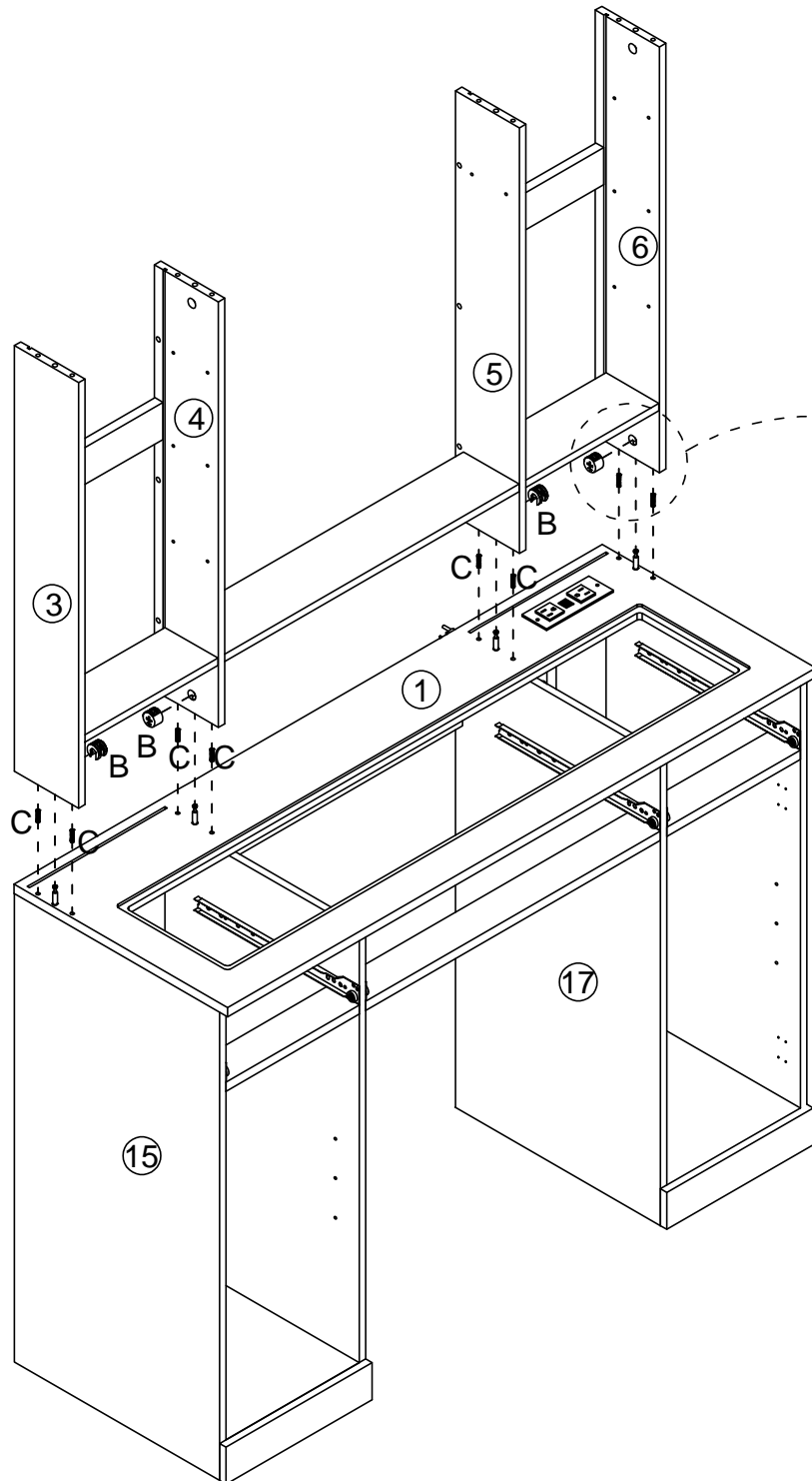
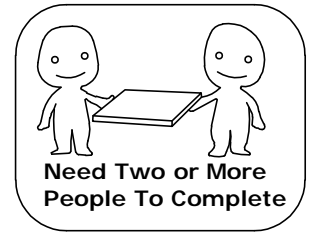
STEP 16



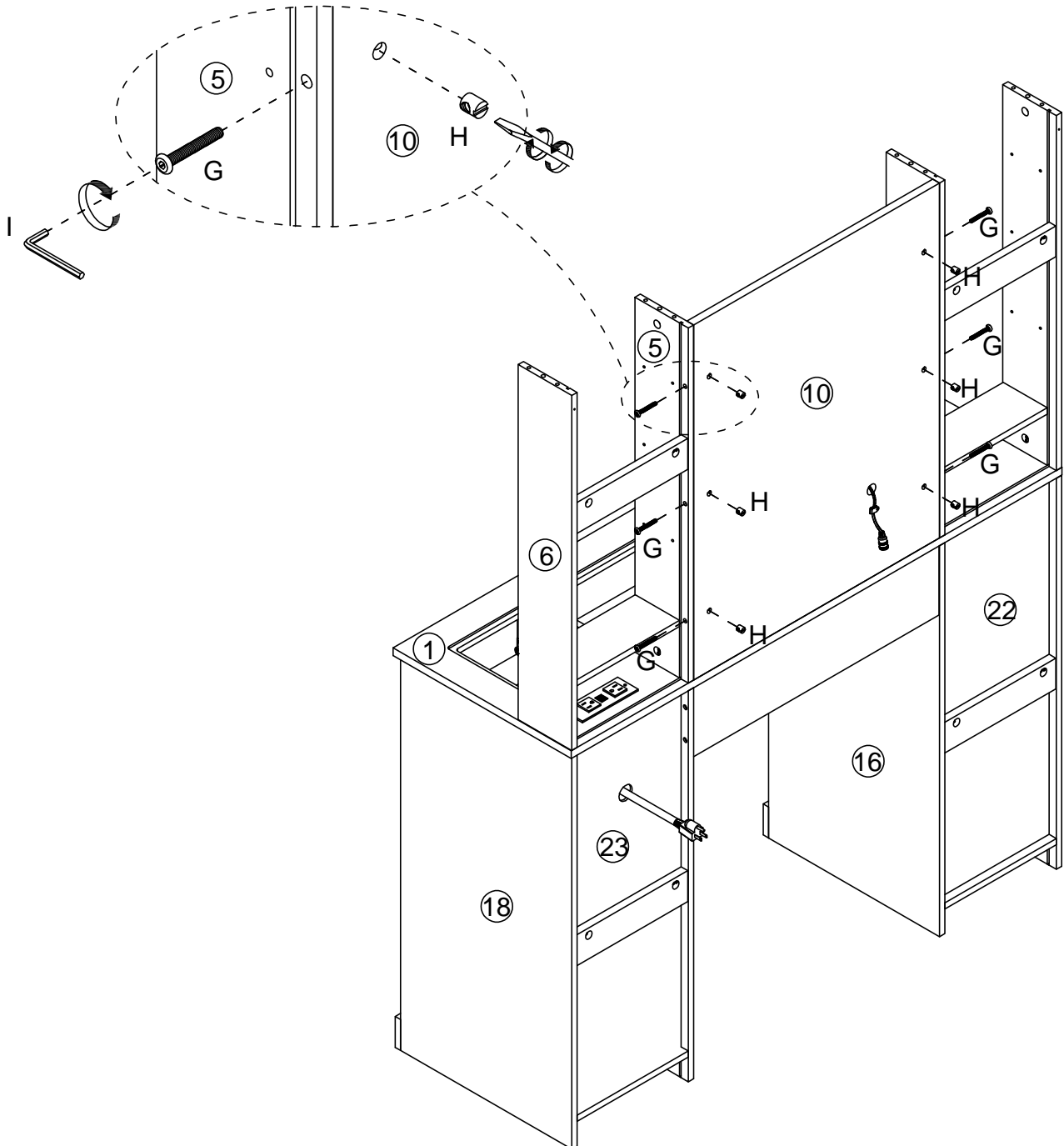
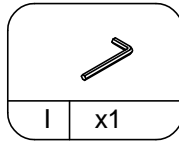
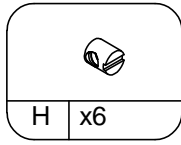
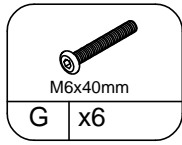
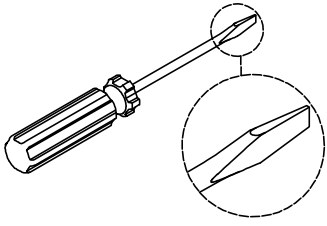
STEP 17



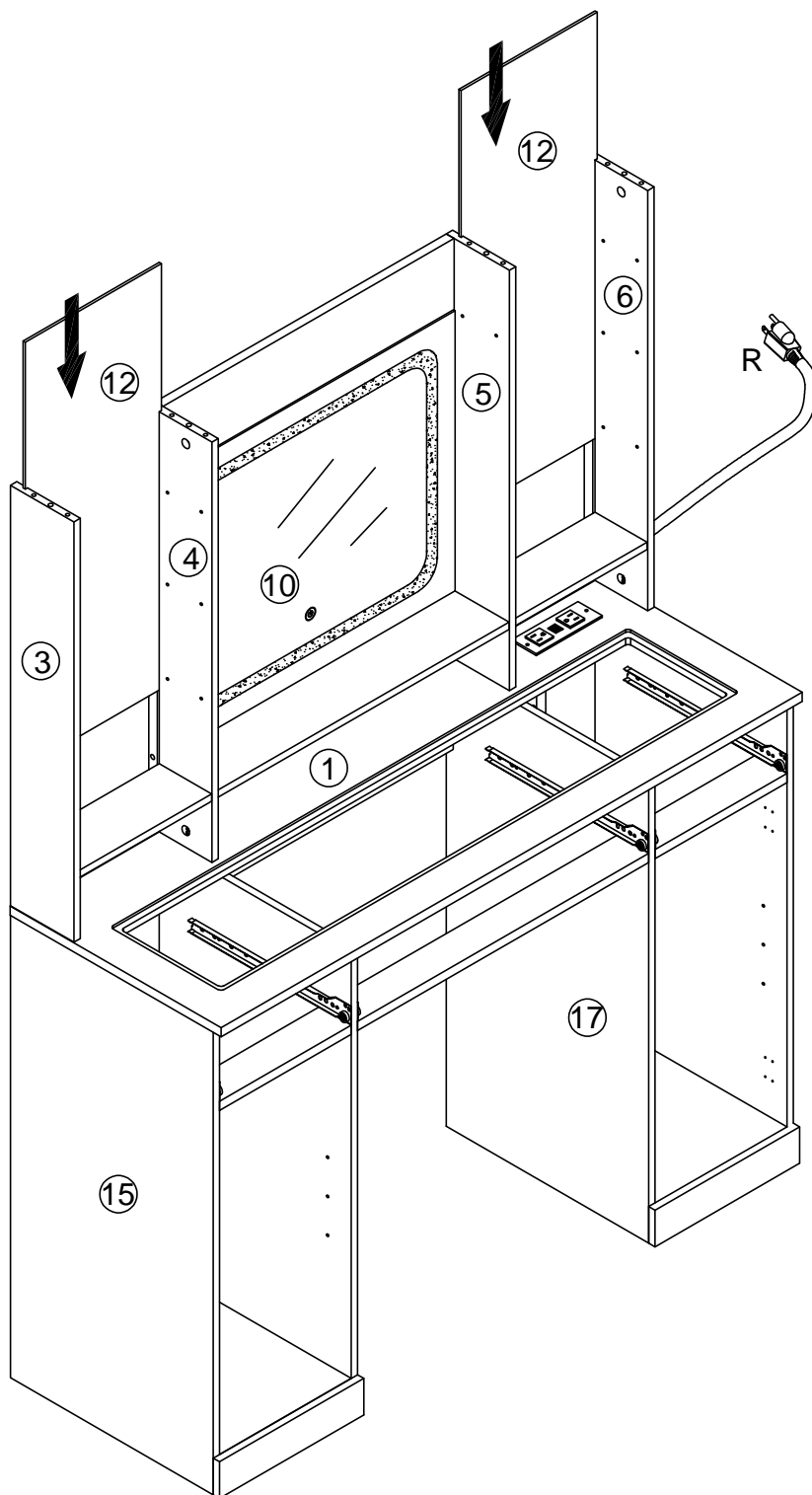
Proper orientation of CAM LOCK



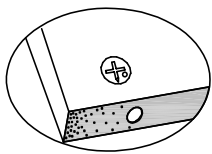
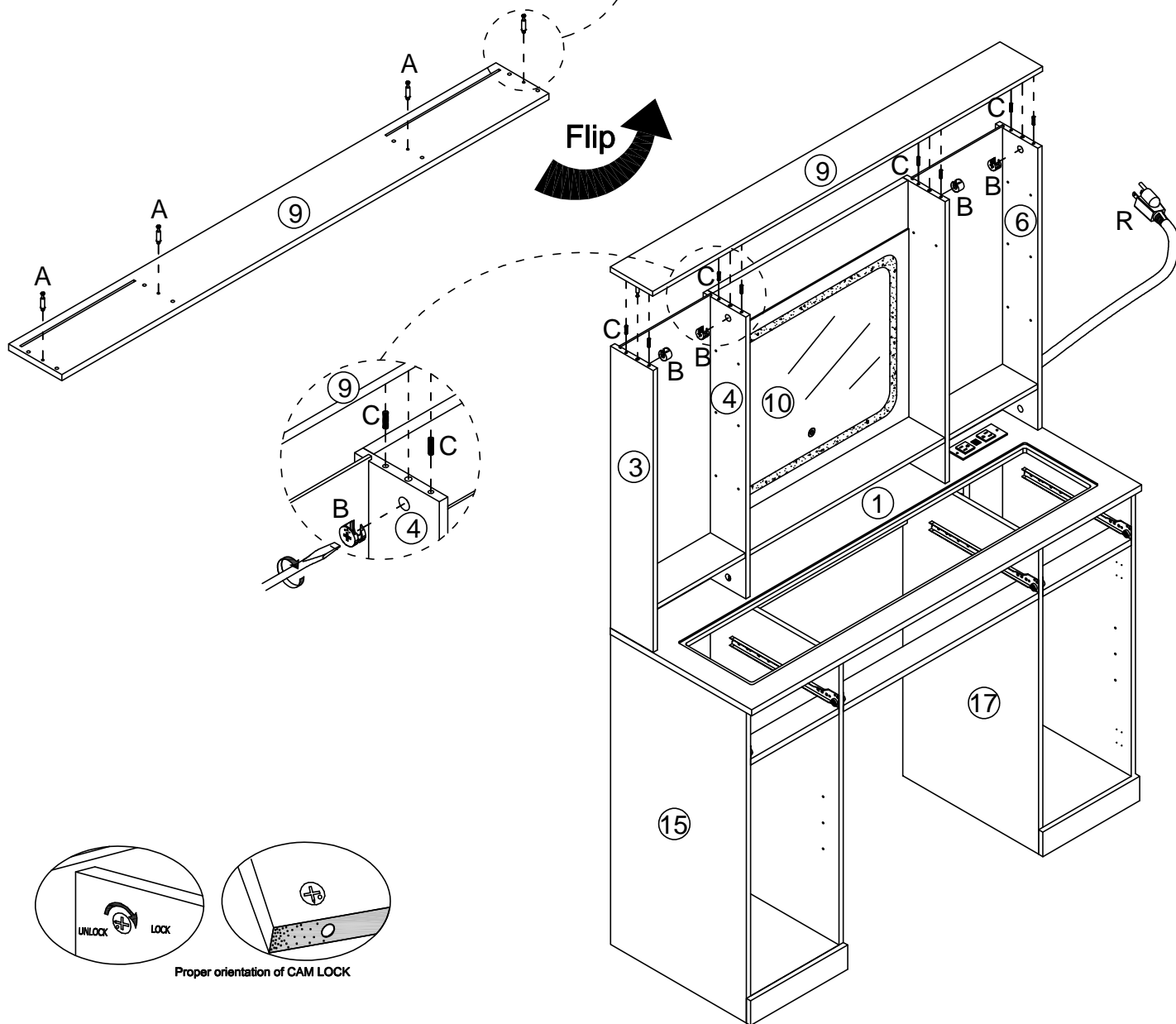
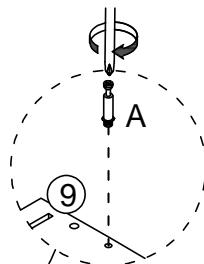
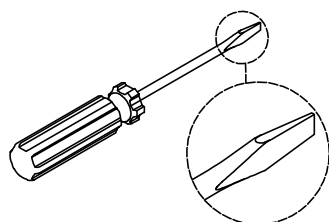
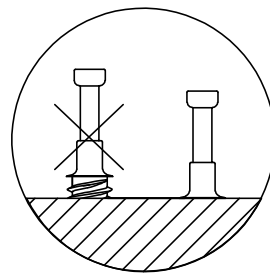
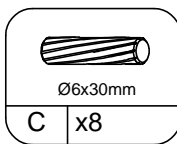
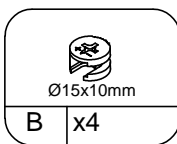
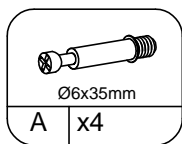
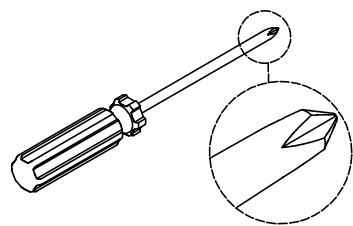
STEP 18



STEP 19

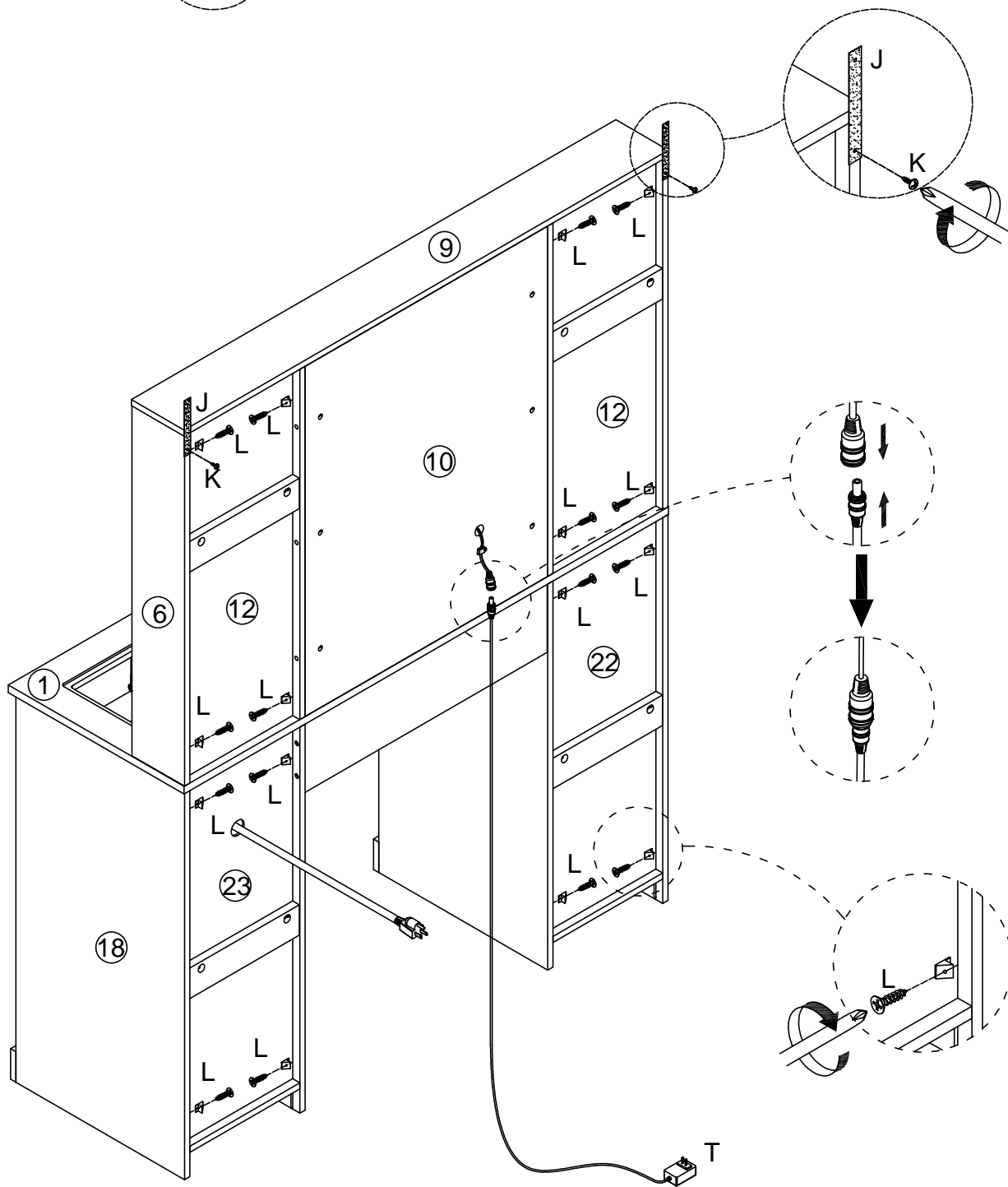
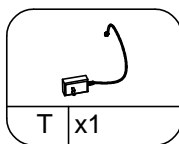
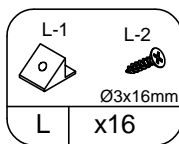
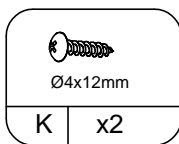
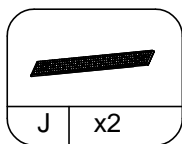
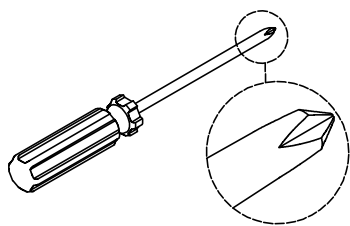


STEP 20

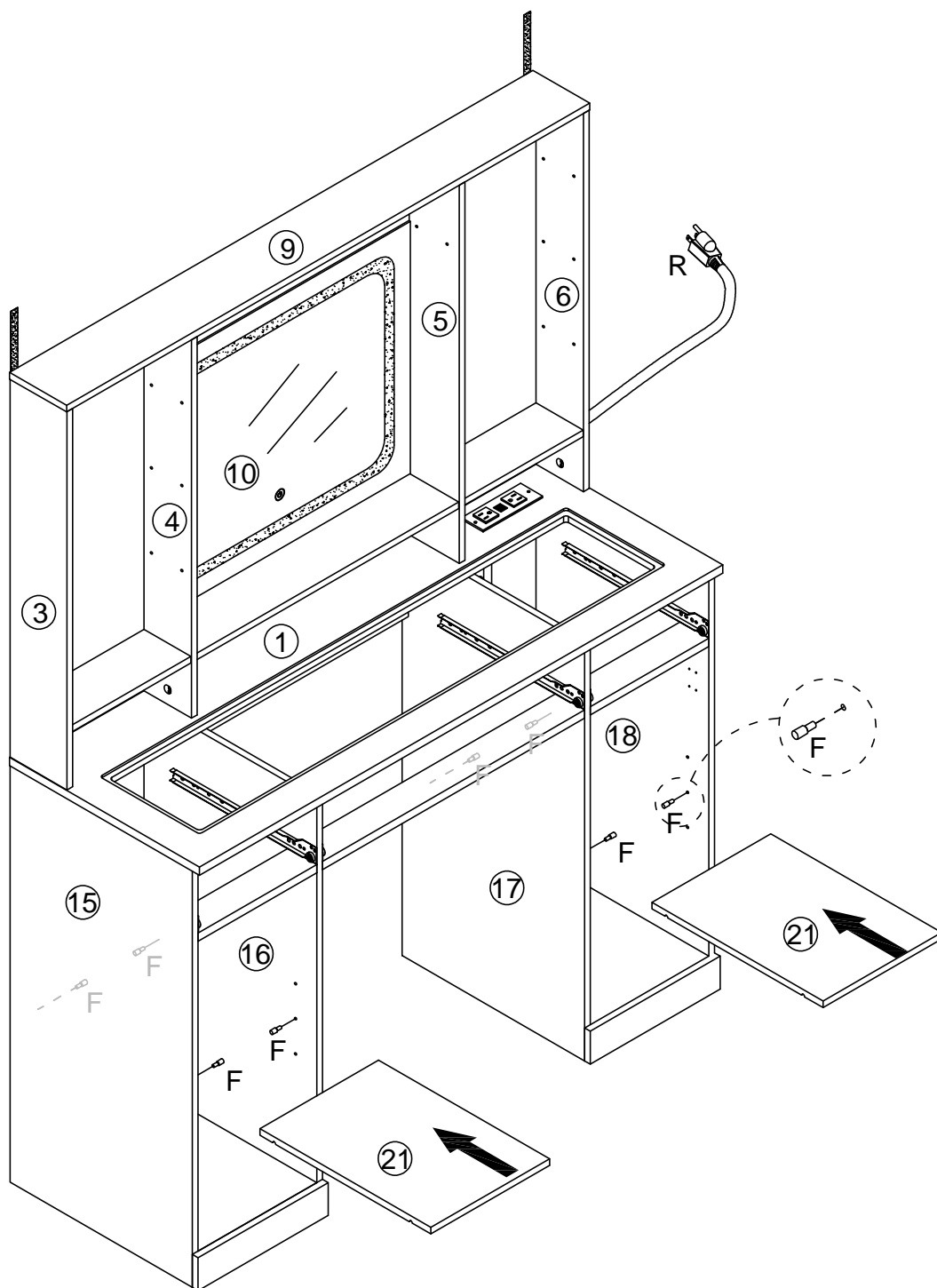
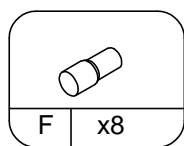


Proper orientation of CAM LOCK

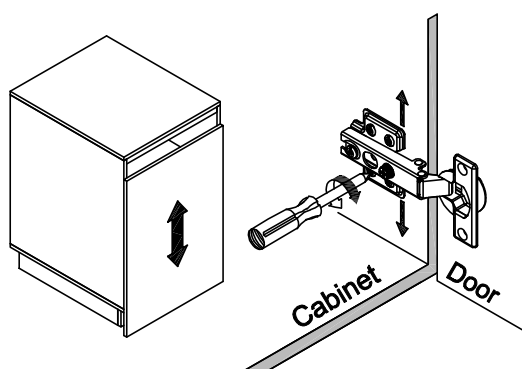
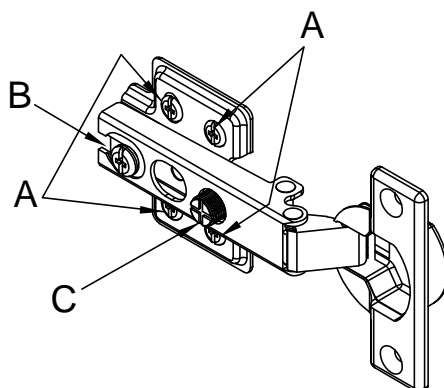
STEP 21



STEP 22

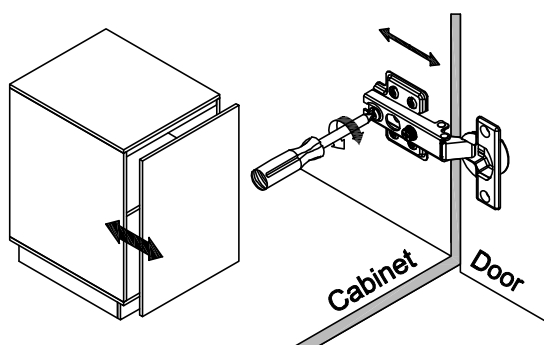


STEP 23



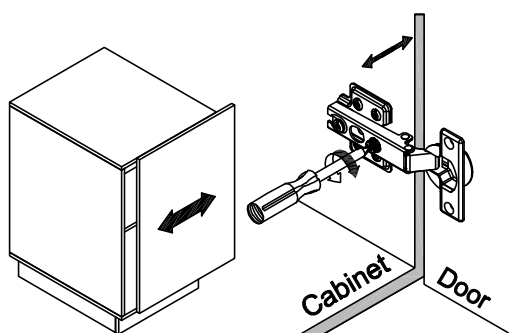
To adjust the vertical height.

Loosen the four screws "A" on both hinges. Two of them are usually in slotted holes which allows you to adjust up or down by a few mm. Then tighten back up.



To adjust depth.

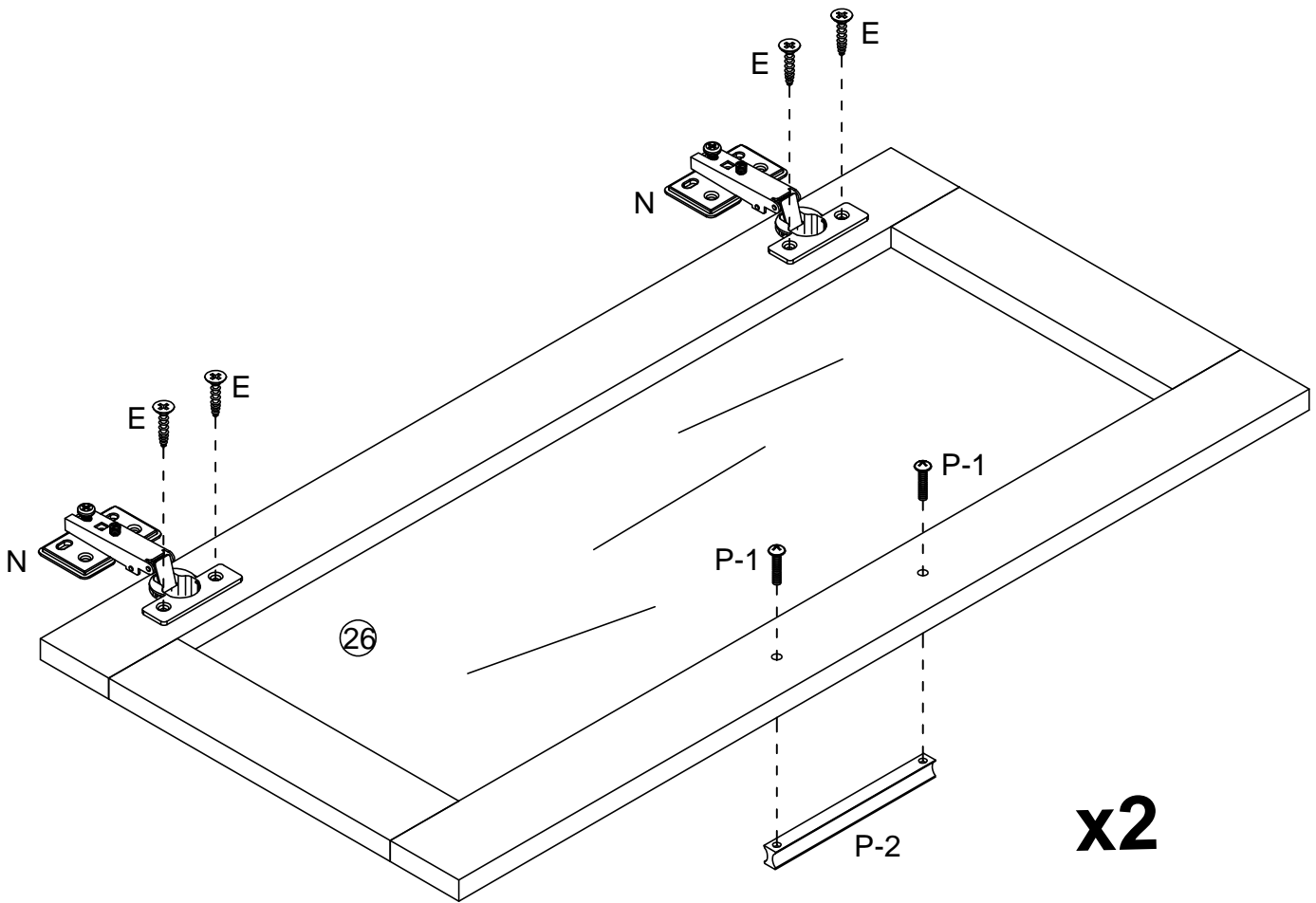
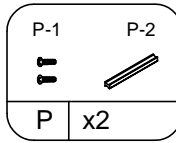
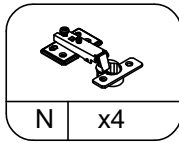
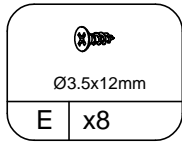
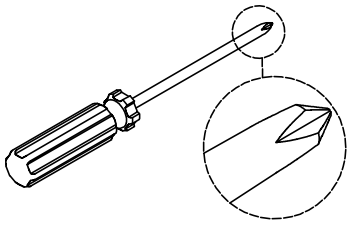
Loosen screw "B" and adjust door, if the door can not be adjusted, please loosen screw "C", then try again. Tighten screw "B" and "C".



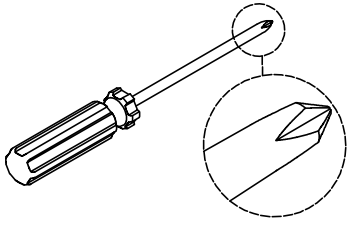
To adjust side ways.


Turning the screw "C" on BOTH hinges on each door.

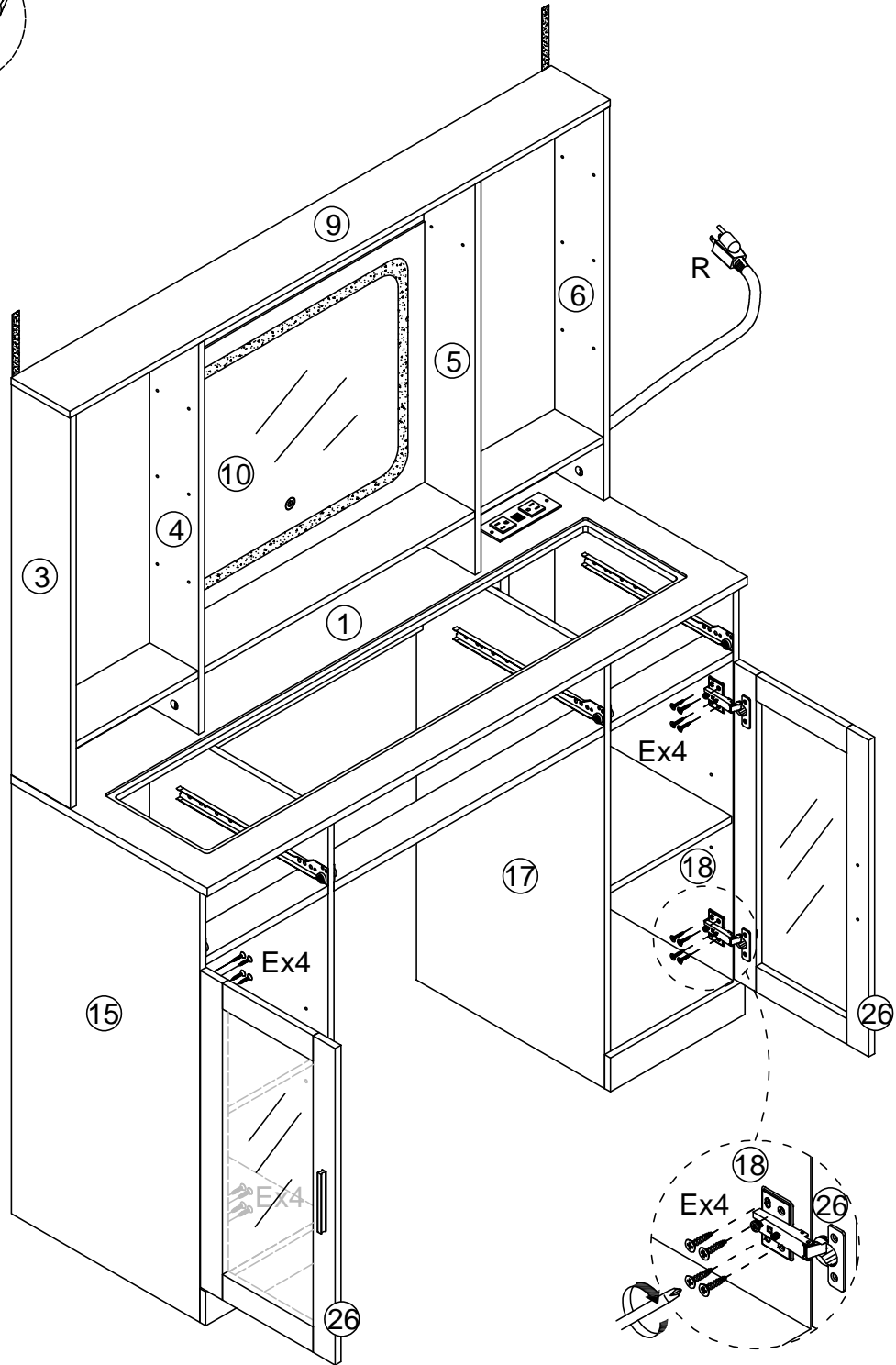
STEP 24



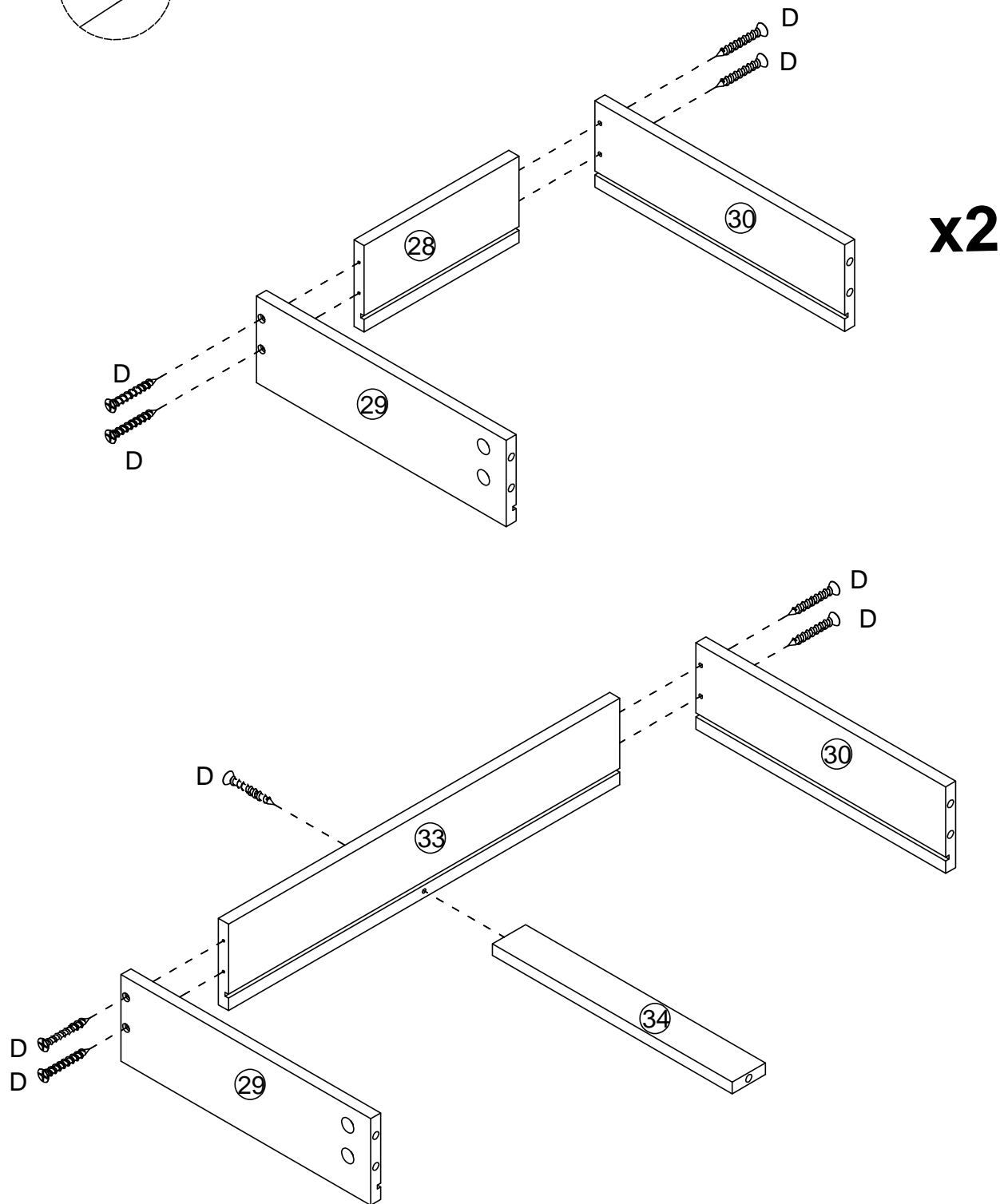
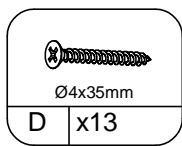
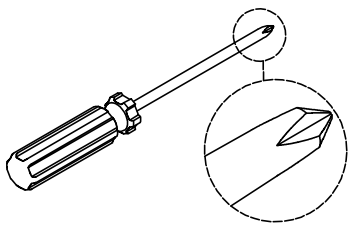
STEP 25



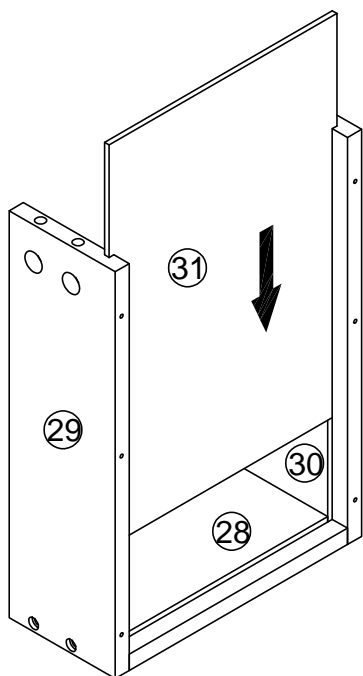
	
Ø3.5x12mm	
E	x16



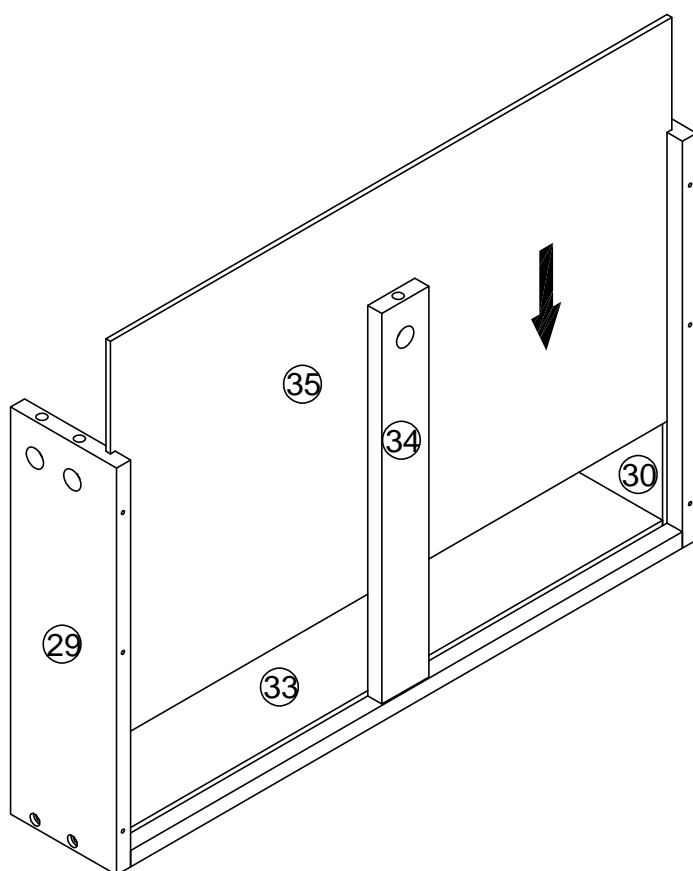
STEP 26



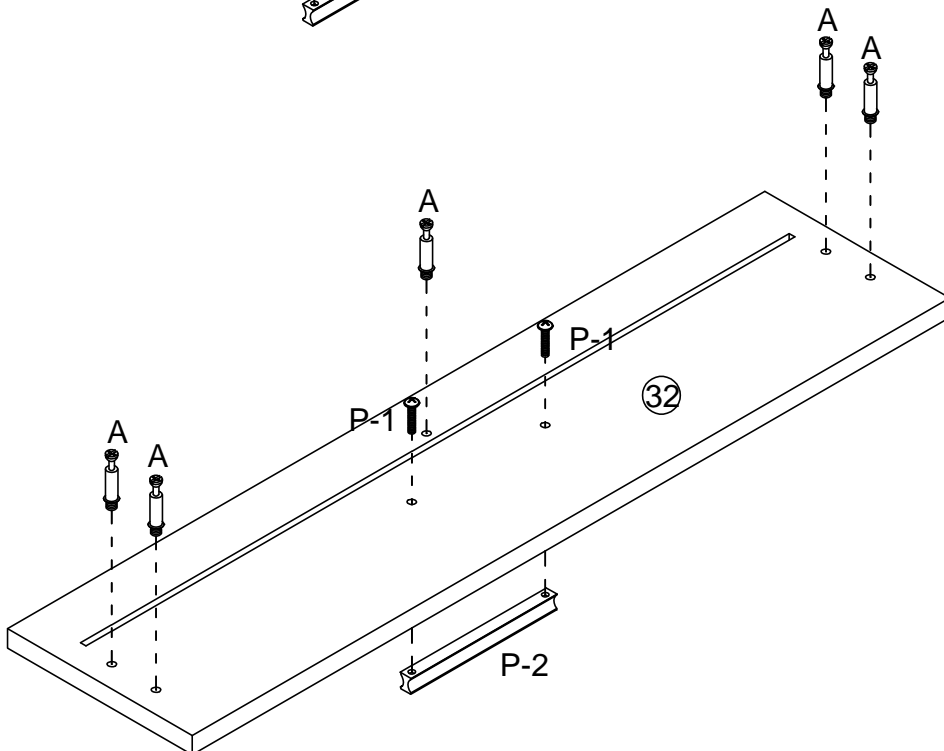
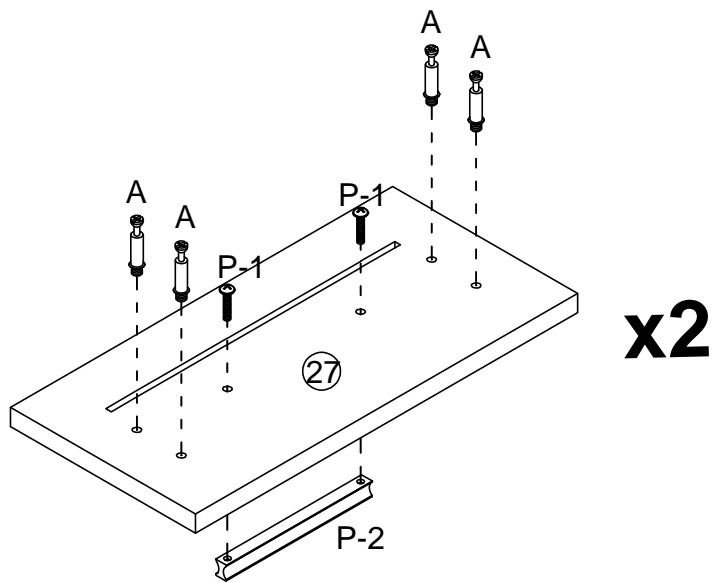
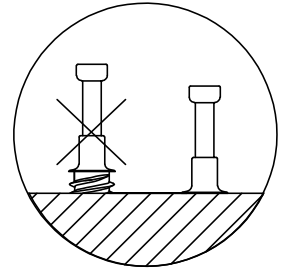
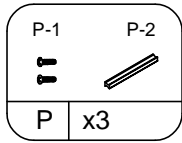
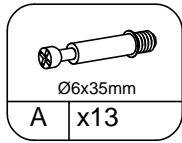
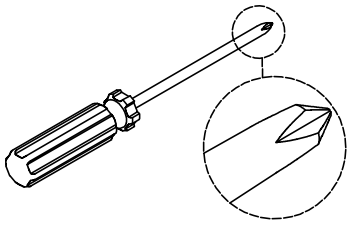
STEP 27



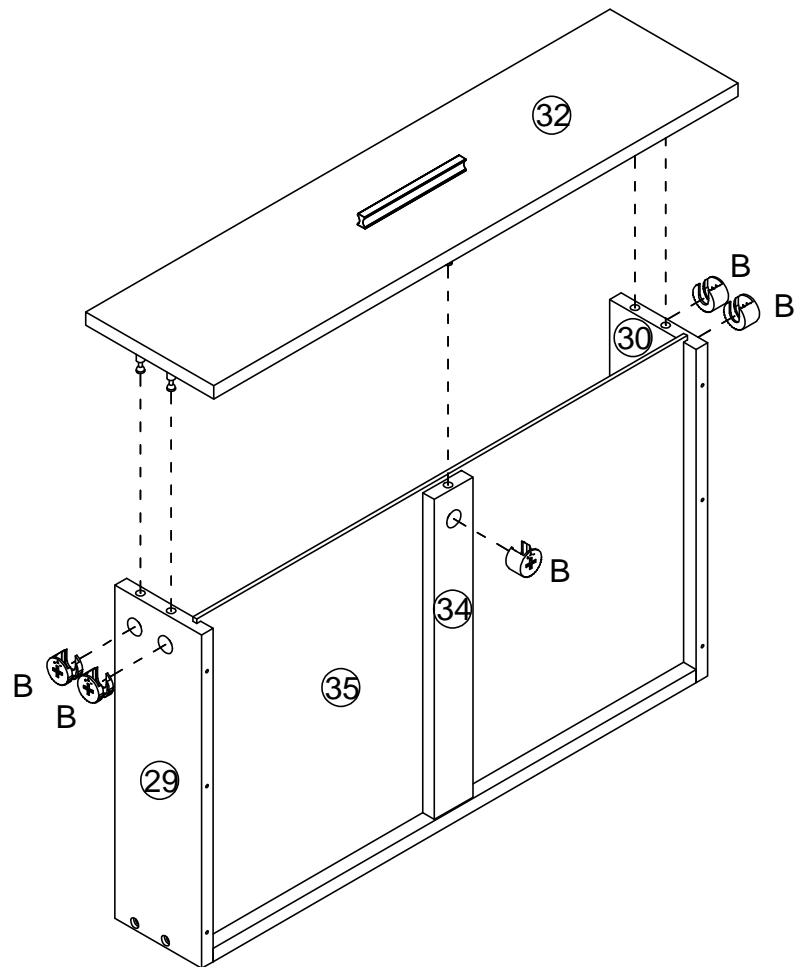
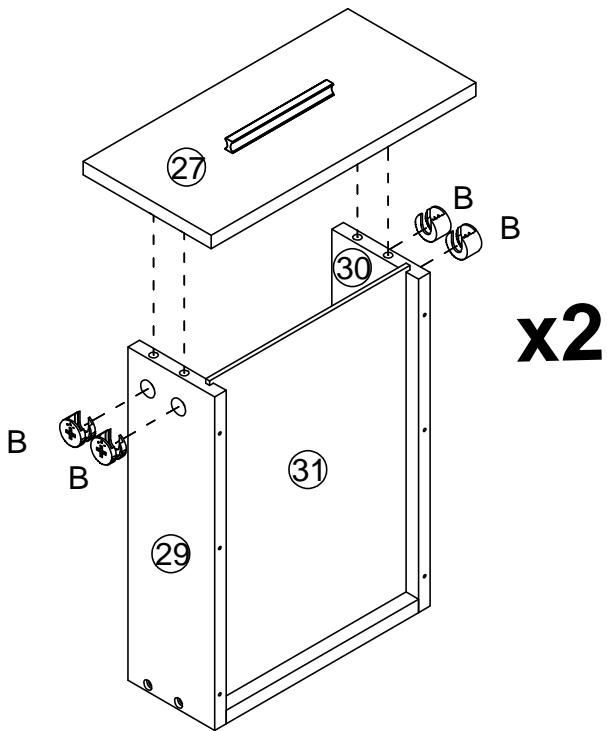
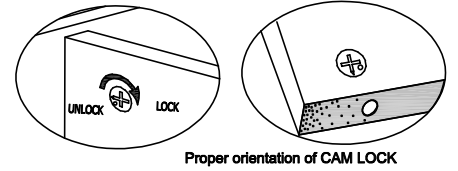
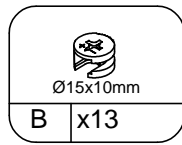
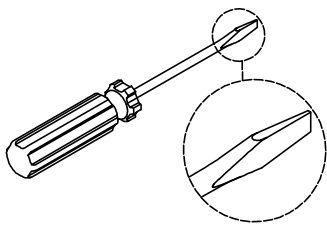
x2



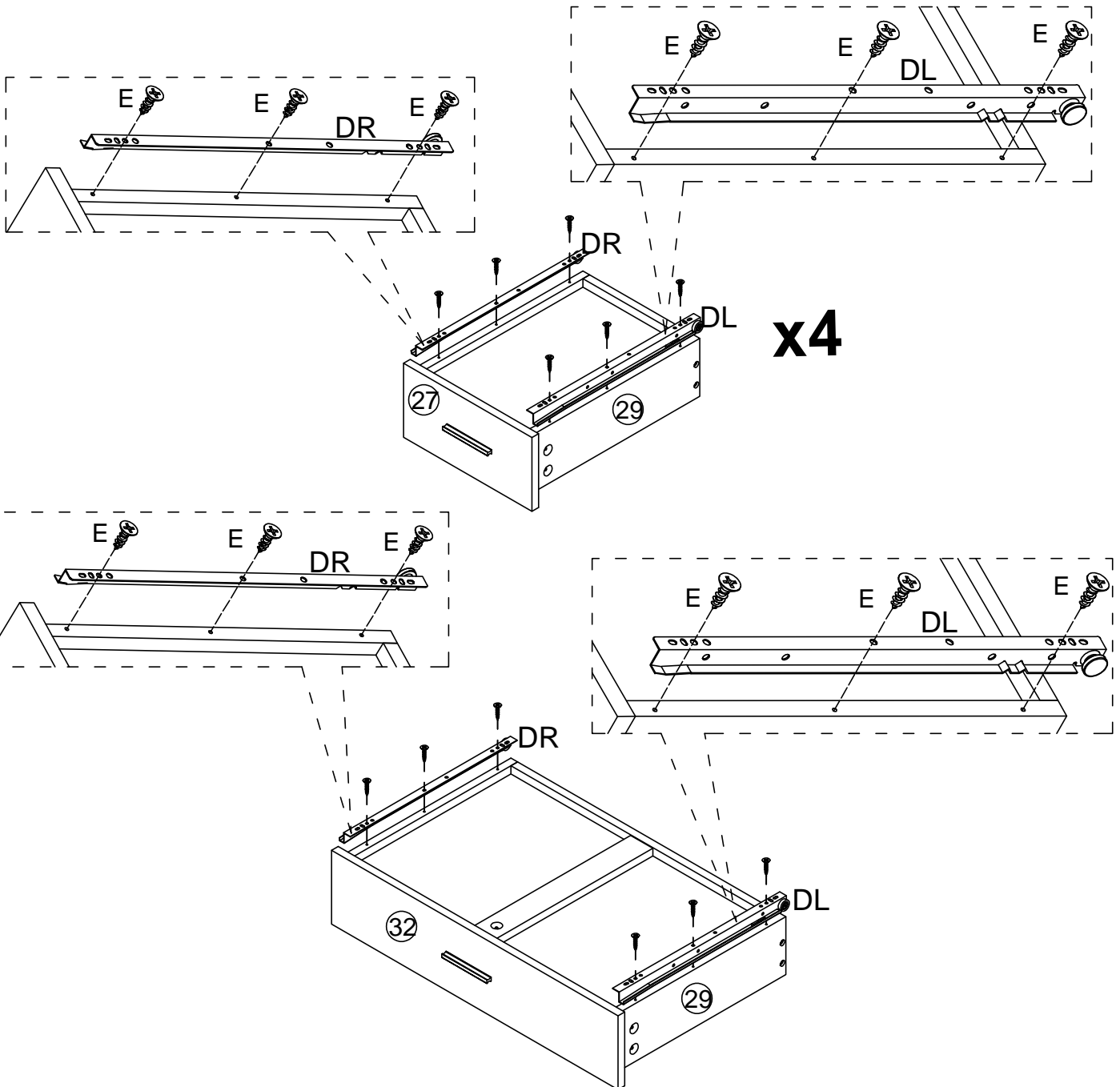
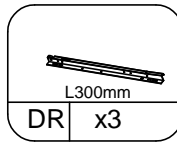
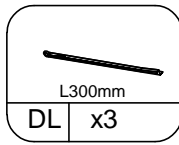
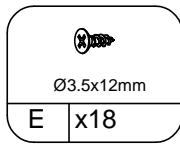
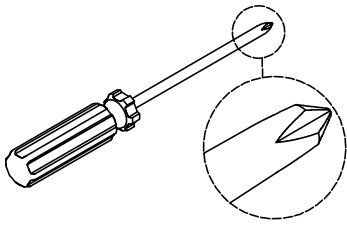
STEP 28



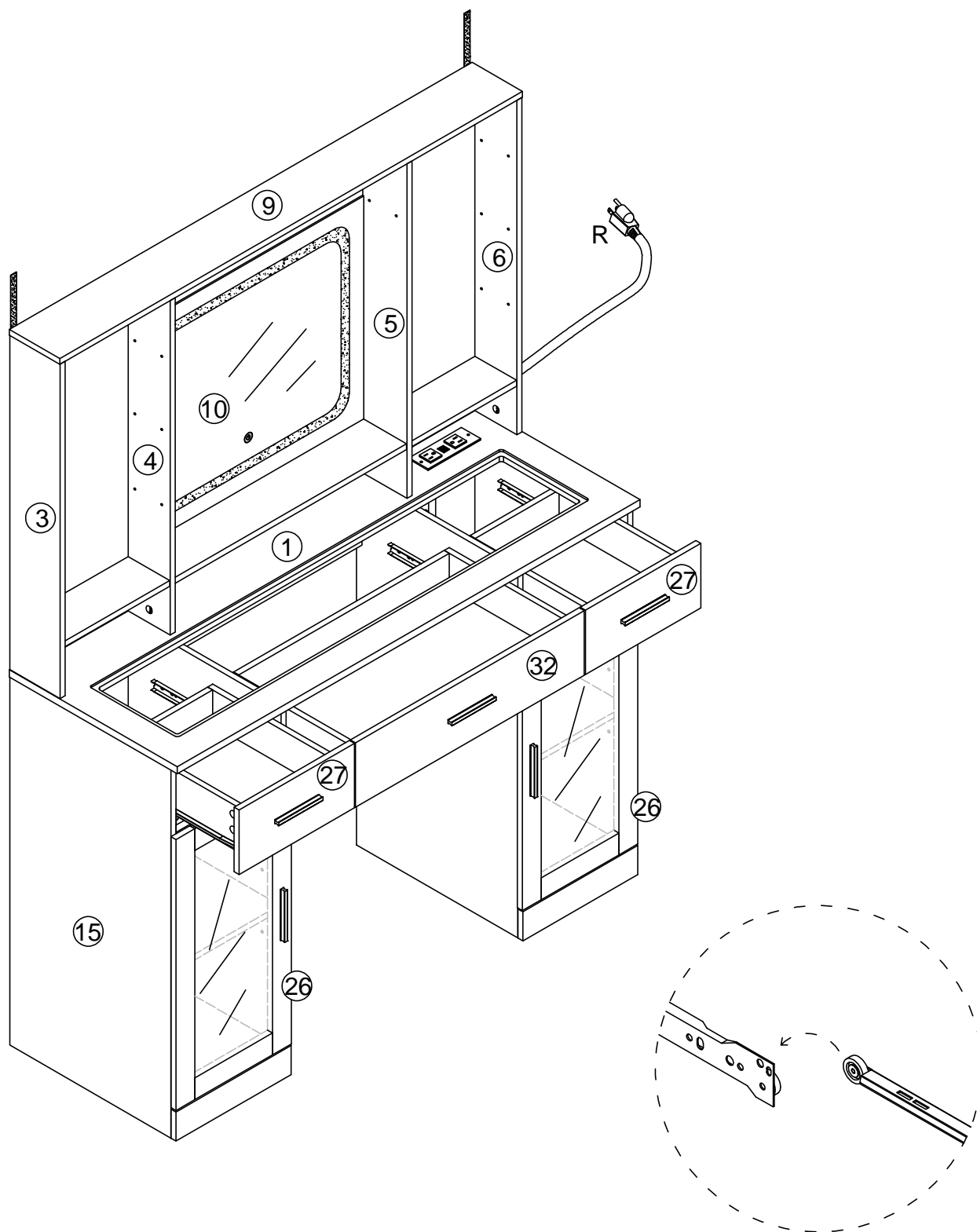
STEP 29



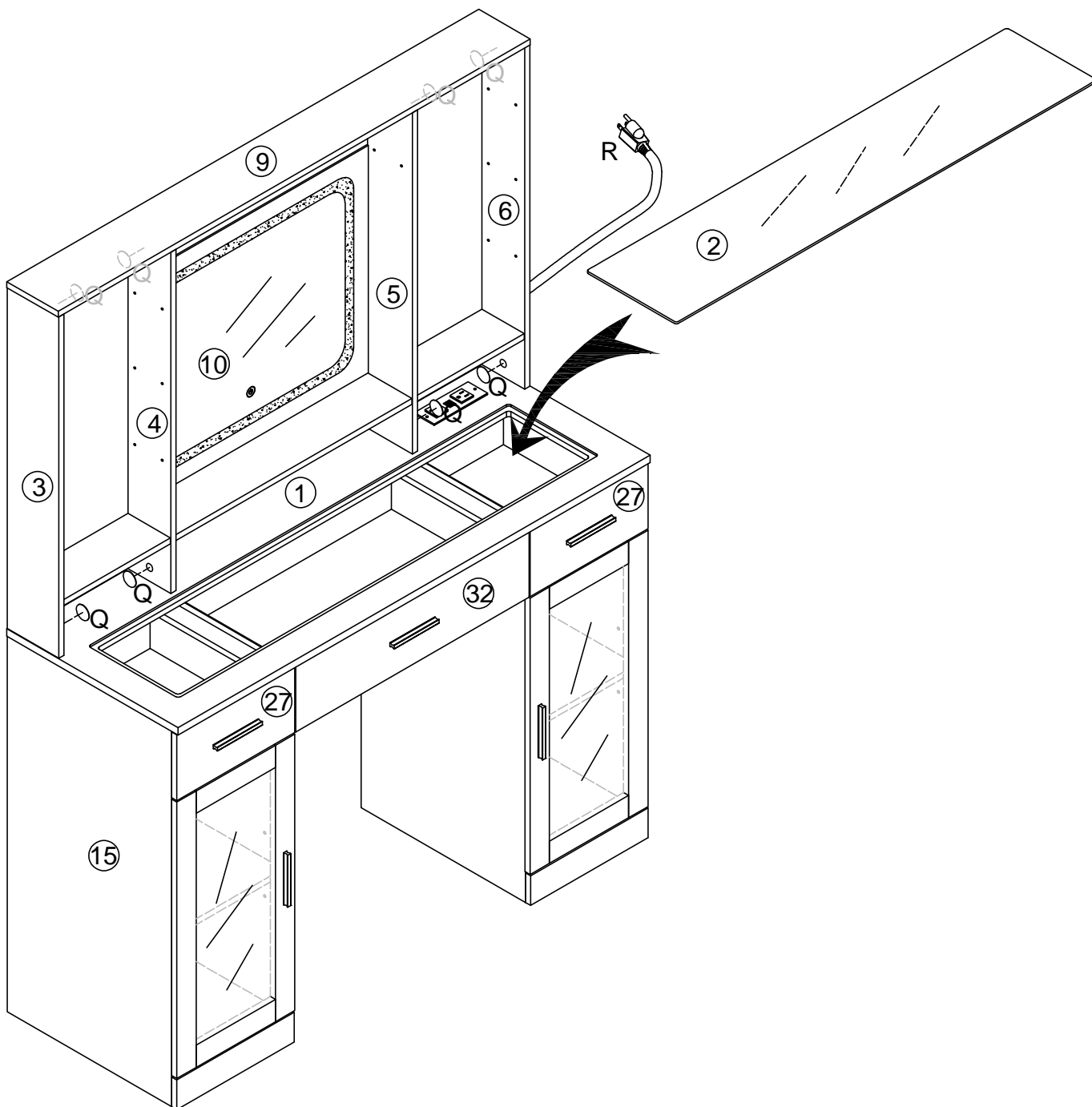
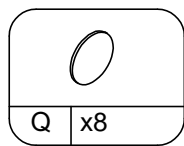
STEP 30



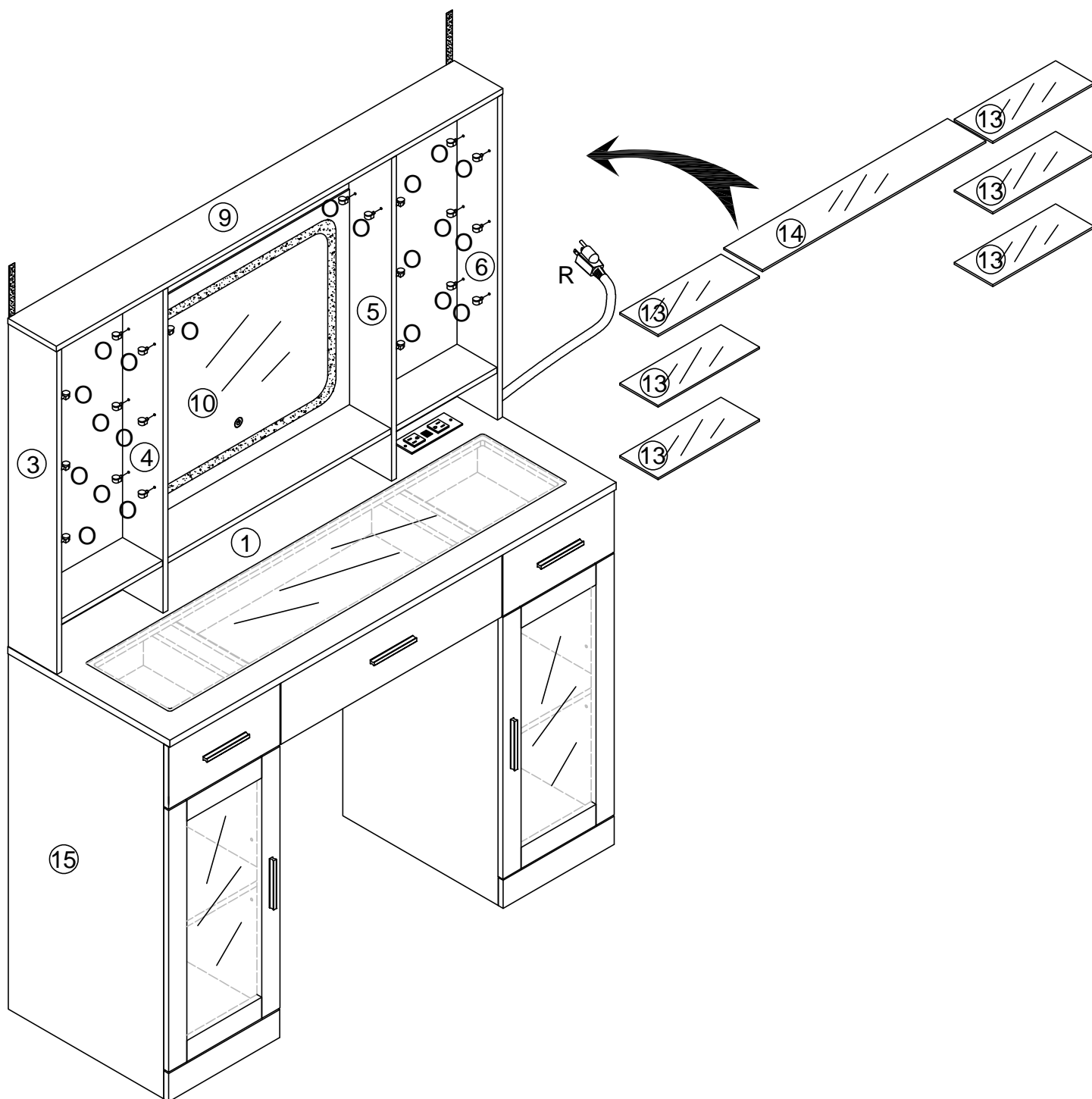
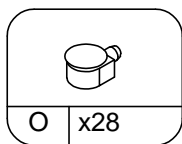
STEP 31



STEP 32



STEP 33



STEP 34

