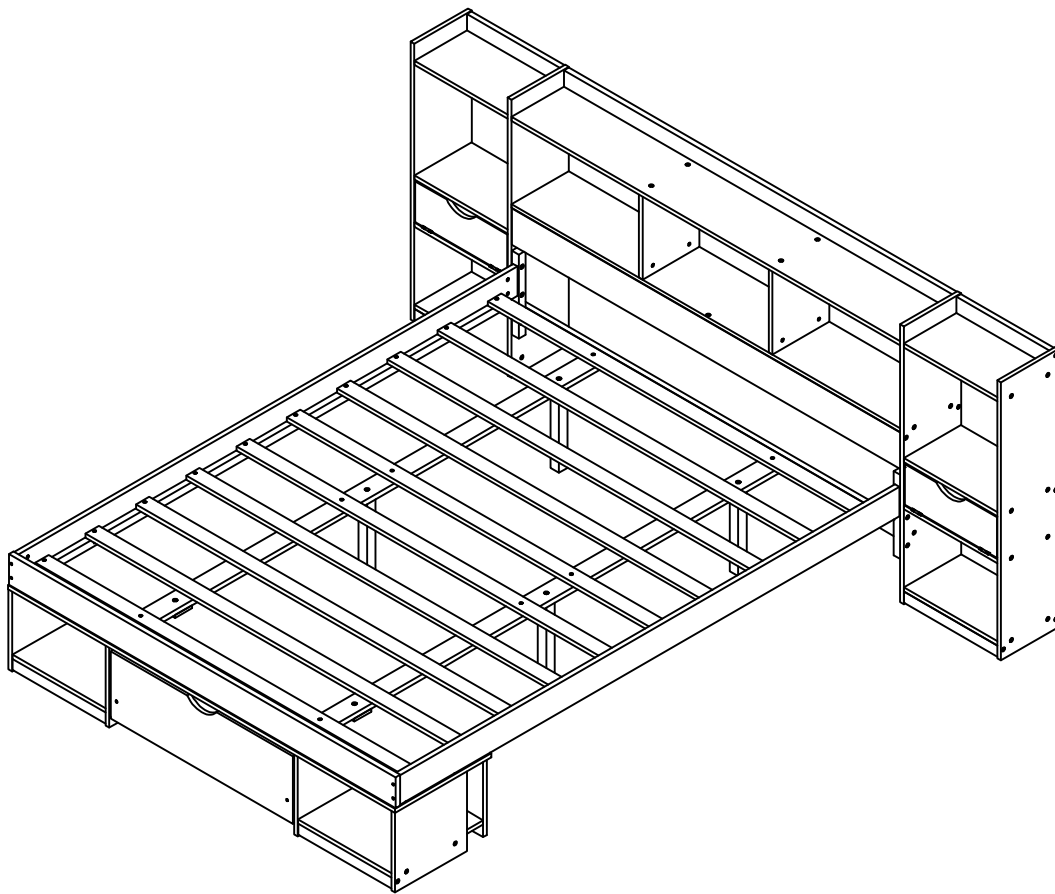


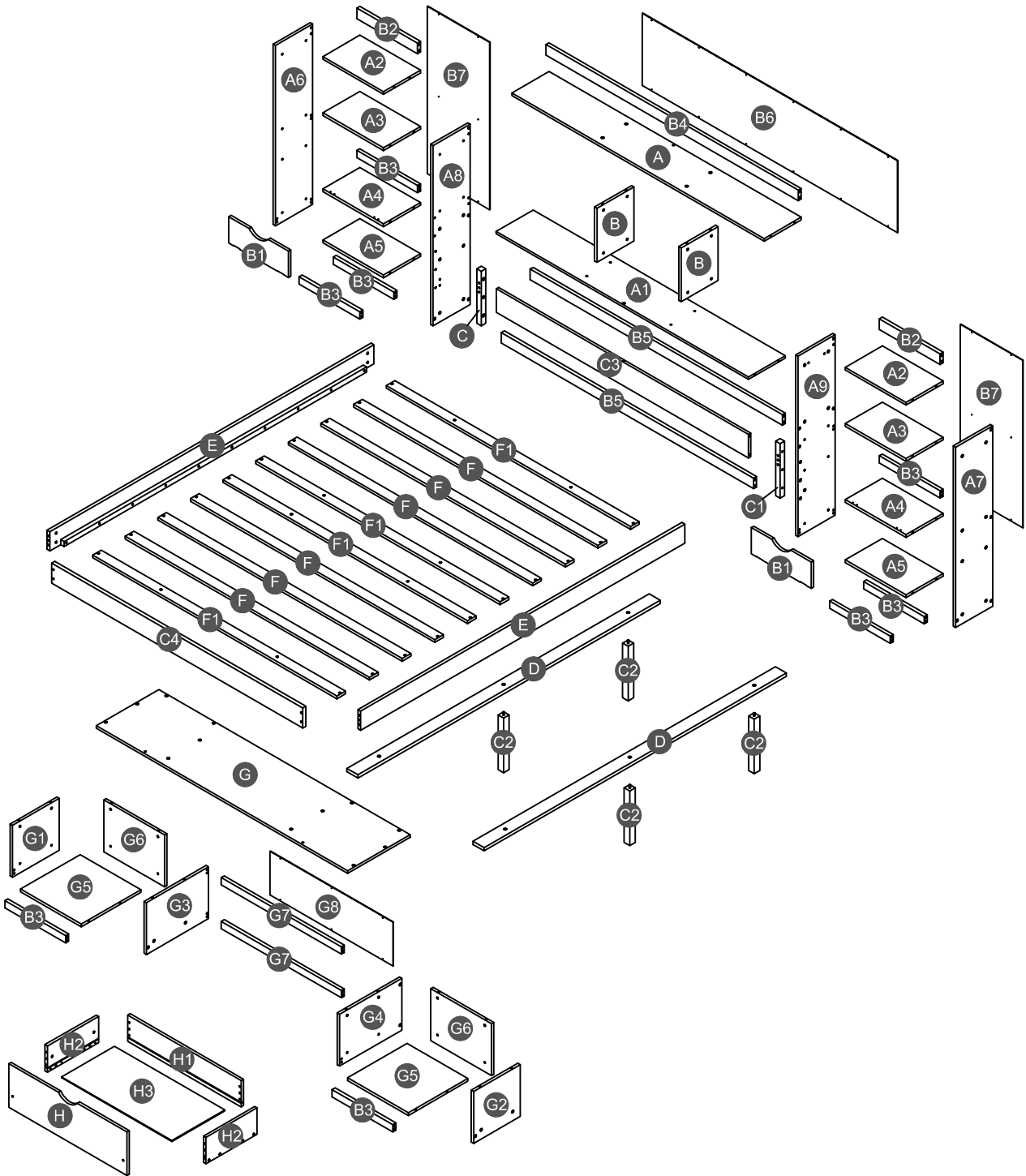
ASSEMBLY INSTRUCTIONS

QUEEN BED WITH HB BOOKCASE




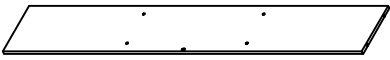




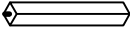
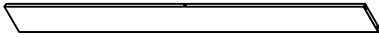
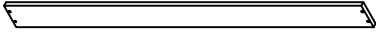
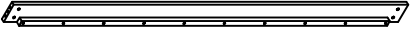


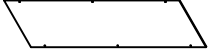
WF322041/WF322042

Detail View



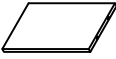
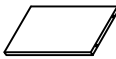

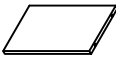
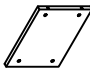
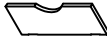
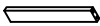


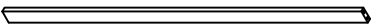
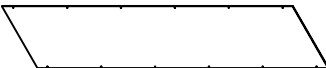



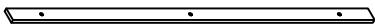
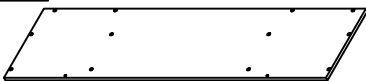
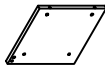
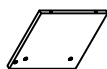
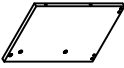
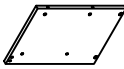
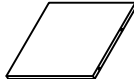
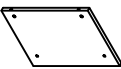



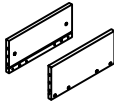

Part List

WF322041 - Hardware inside

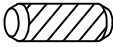
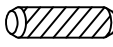
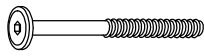
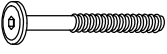





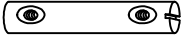




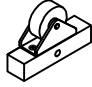
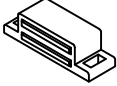


<p>A</p>  <p>Top panel HB - 1pc</p>	<p>A1</p>  <p>Shelf panel HB - 1pc</p>	<p>A6</p>  <p>Side panel HB (Left) - 1pc</p>
<p>A7</p>  <p>Side panel HB (Right) - 1pc</p>	<p>A8</p>  <p>Divider panel HB (Left) - 1pc</p>	<p>A9</p>  <p>Divider panel HB (Right) - 1pc</p>
<p>C2</p>  <p>Leg support - 4pcs</p>	<p>C3</p>  <p>Horizontal bar HB (Front) - 1pc</p>	<p>C4</p>  <p>Horizontal bar FB - 1pc</p>
<p>E</p>  <p>Side rail - 2pcs</p>	<p>F</p>  <p>Slats - 6pcs</p>	<p>F1</p>  <p>Slats - 4pcs</p>
<p>G8</p>  <p>Back panel FB - 1pc</p>		

Part List

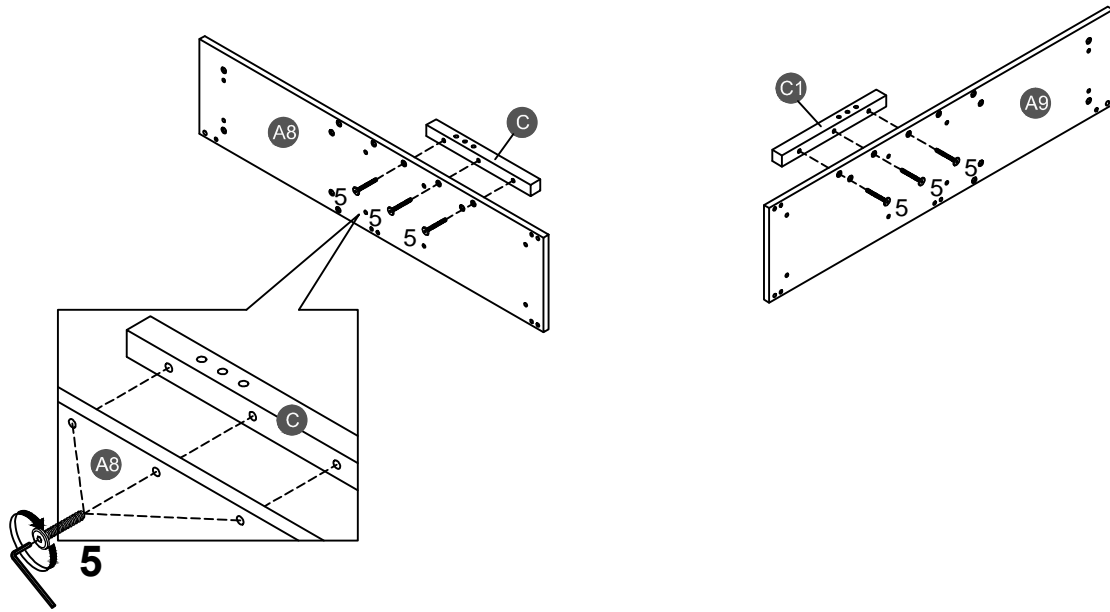
WF322042

<p>A2</p>  <p>Top panel HB (Left/Right) - 2pcs</p>	<p>A3</p>  <p>Shelf panel HB (Left/Right) - 2pcs</p>	<p>A4</p>  <p>Shelf panel HB (Left/Right) - 2pcs</p>
<p>A5</p>  <p>Bottom panel HB (Left/Right)-2pcs</p>	<p>B</p>  <p>Divider panel HB - 2pcs</p>	<p>B1</p>  <p>Door HB - 2pcs</p>
<p>B2</p>  <p>Upper horizontal bar HB - 2pcs</p>	<p>B3</p>  <p>Lower horizontal bar HB/FB - 8pcs</p>	<p>B4</p>  <p>Upper horizontal bar HB - 1pc</p>
<p>B5</p>  <p>Lower horizontal bar HB - 2pcs</p>	<p>B6</p>  <p>Divider back panel HB - 1pc</p>	<p>B7</p>  <p>Back panel HB (Left/Right) - 2pcs</p>
<p>C</p>  <p>Support HB (Left) - 1pc</p>	<p>C1</p>  <p>Support HB (Right) - 1pc</p>	<p>D</p>  <p>Lower support slat - 2pcs</p>
<p>G</p>  <p>Top panel FB - 1pc</p>	<p>G1</p>  <p>Shelf panel FB (Left) - 1pc</p>	<p>G2</p>  <p>Shelf panel FB (Right) - 1pc</p>
<p>G3</p>  <p>Divider panel FB (Left) - 1pc</p>	<p>G4</p>  <p>Divider panel FB (Right) - 1pc</p>	<p>G5</p>  <p>Bottom panel FB (Left/Right)- 2pcs</p>
<p>G6</p>  <p>Back panel FB (Left/Right)- 2pcs</p>	<p>G7</p>  <p>Horizontal bar FB (Back) - 2pcs</p>	<p>H</p>  <p>Front drawer panel - 1pc</p>
<p>H1</p>  <p>Back drawer panel - 1pc</p>	<p>H2</p>  <p>Left / right drawer panel - 2pcs</p>	<p>H3</p>  <p>Drawer bottom - 1pc</p>

Hardware List WF322041

1	 Ø10*20mm Wood dowel (4pcs)	2	 Ø8*30mm Wood dowel (46pcs)	3	 (Ø15)1/4"*80mm Hex-Head bolts (8pcs)
4	 (Ø12)1/4"*60mm Hex-Head bolts (105pcs)	5	 (Ø12)1/4"*40mm Hex-Head bolts (6pcs)	6	 (Ø12)1/4"*30mm Hex-Head bolts (2pcs)
7	 (Ø12)1/4"*15mm Hex-Head bolts (4pcs)	8	 1/4"*15 (9.5mm) Horizontal-Hole bolts(113pcs)	9	 (Ø12)1/4"*40mm Hex-Head bolts (1pc)
10	 (Ø10)1/4*76mm Connecting bar (2pcs)	11	 (1/4")4.5*58mm Allen key (1pc)	12	 Ø4*30mm Wood screws (36pcs)
13	 Ø3.5*15mm Wood screws (16pcs)	14	 Ø3.5*15mm Wood screws (30pcs)	15	 100*54*20 mm Wheels (4pcs)
16	 45*17*13mm Door catch (2pcs)	17	 42*12*1mm Metal magnet (2pcs)	18	 70*70*11mm Support PW (2pcs)

STEP 1:

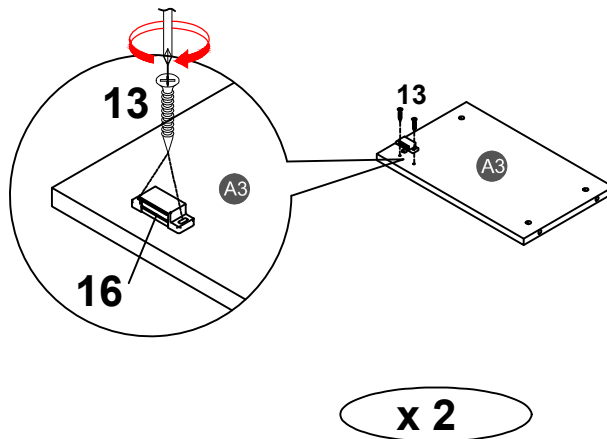


5



6PCS

STEP 2:

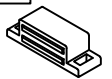


13



4PCS

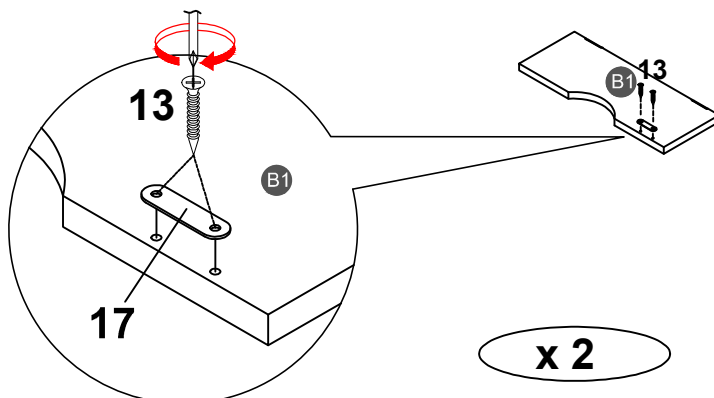
16



2PCS

x 2

STEP 3:



13



4PCS

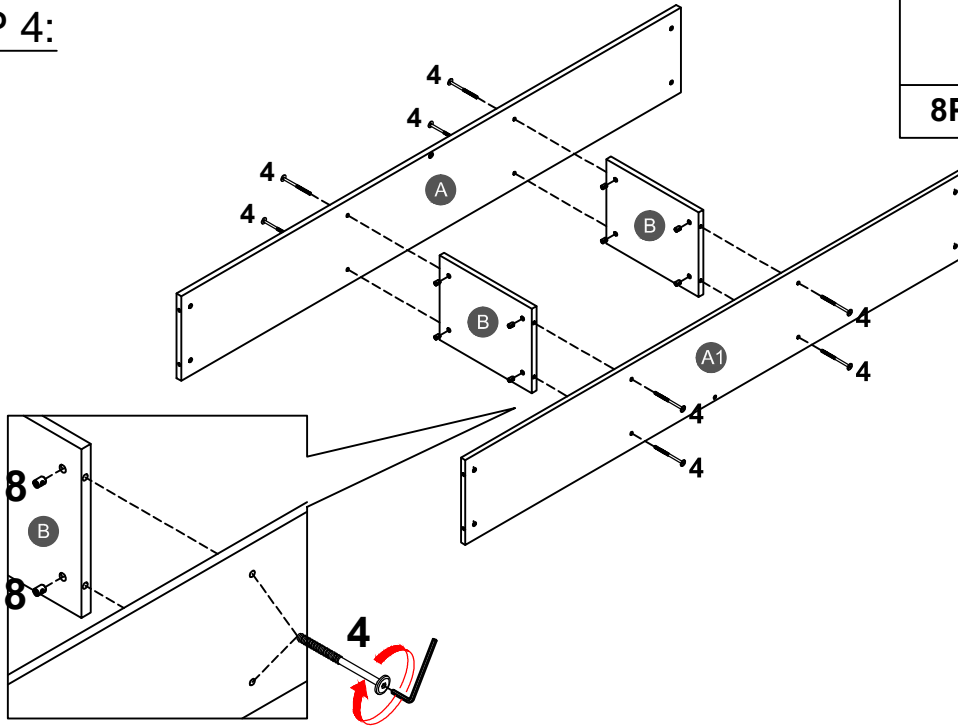
17



2PCS

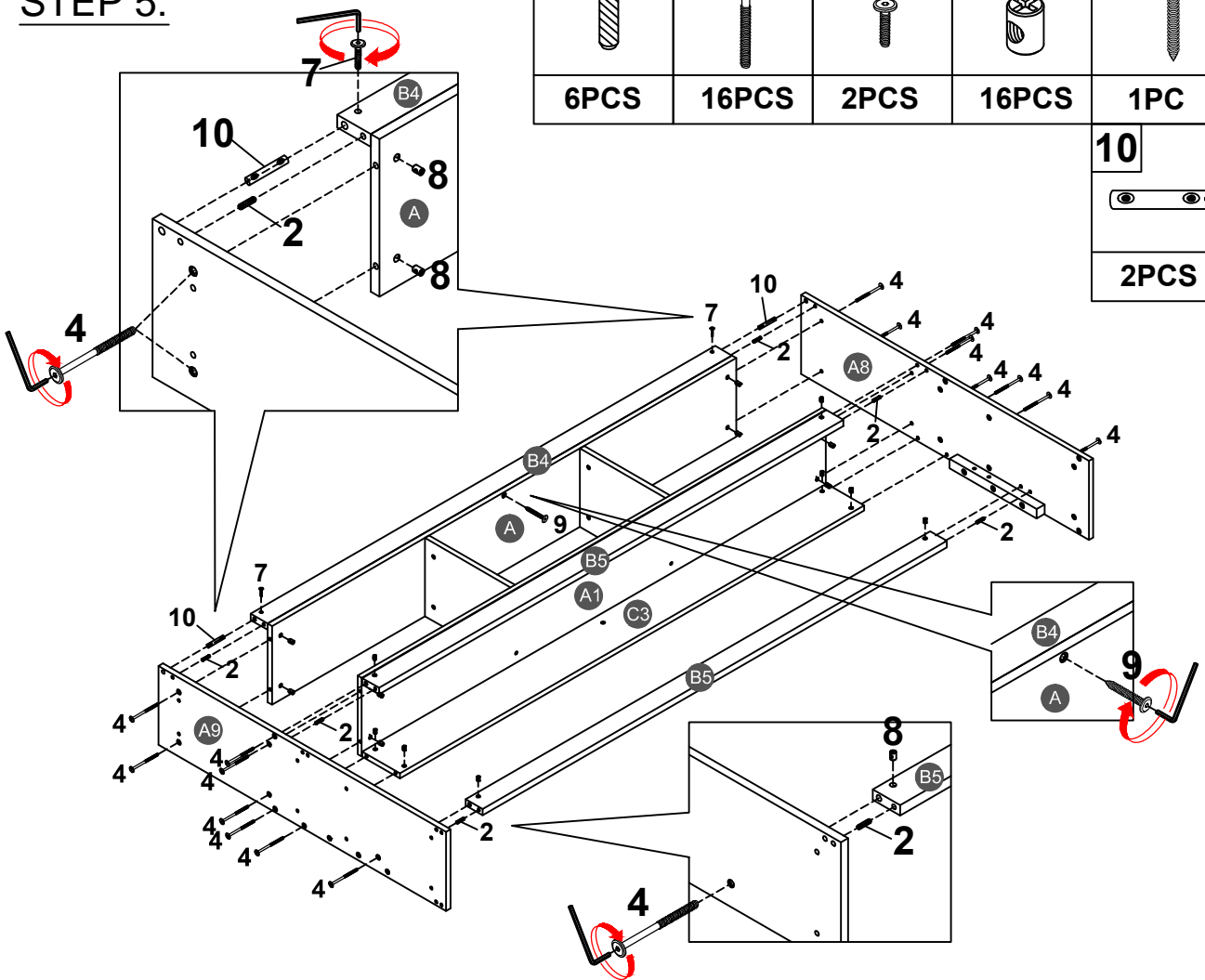
x 2

STEP 4:



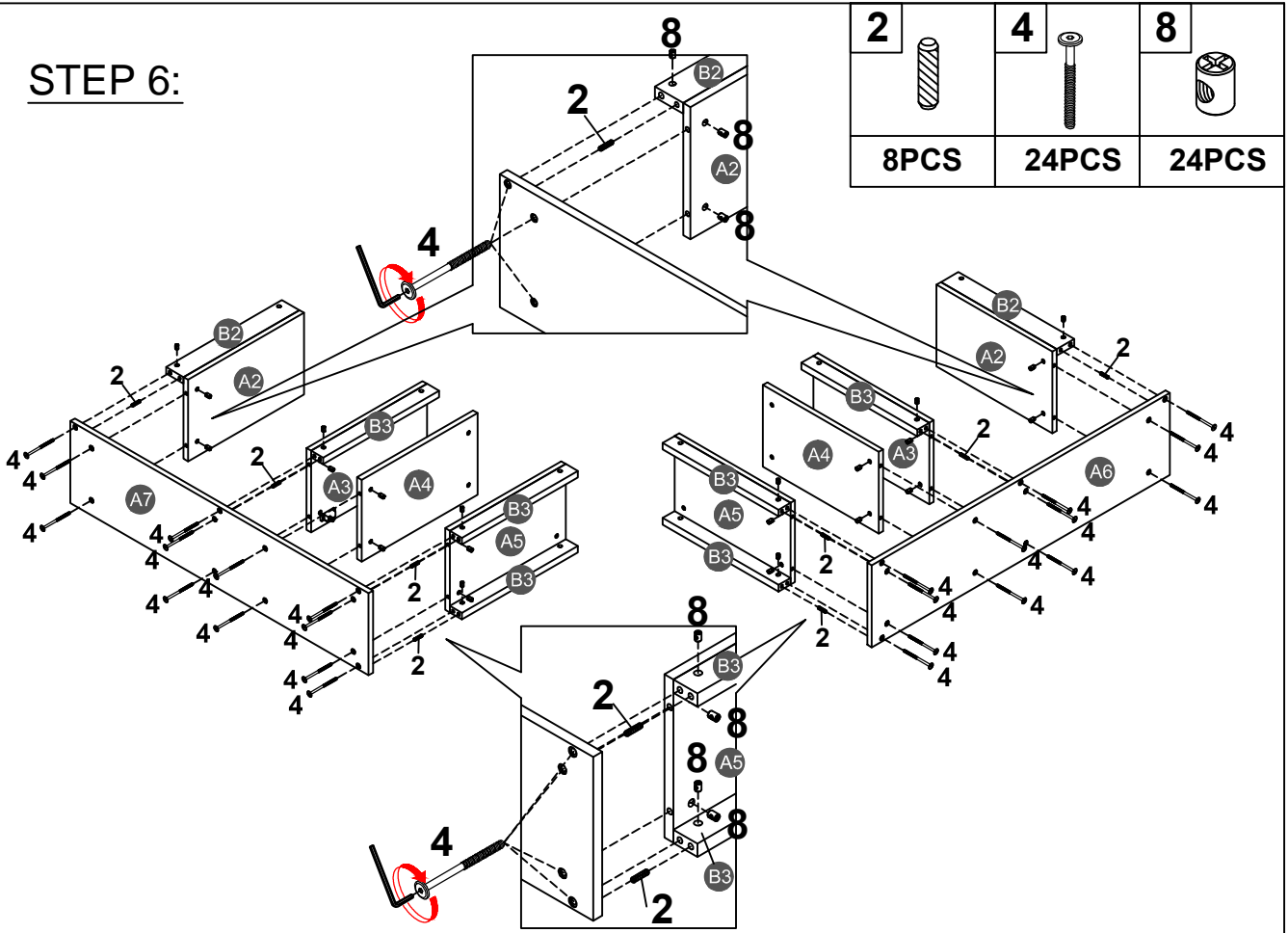
4		8	
8PCS		8PCS	

STEP 5:



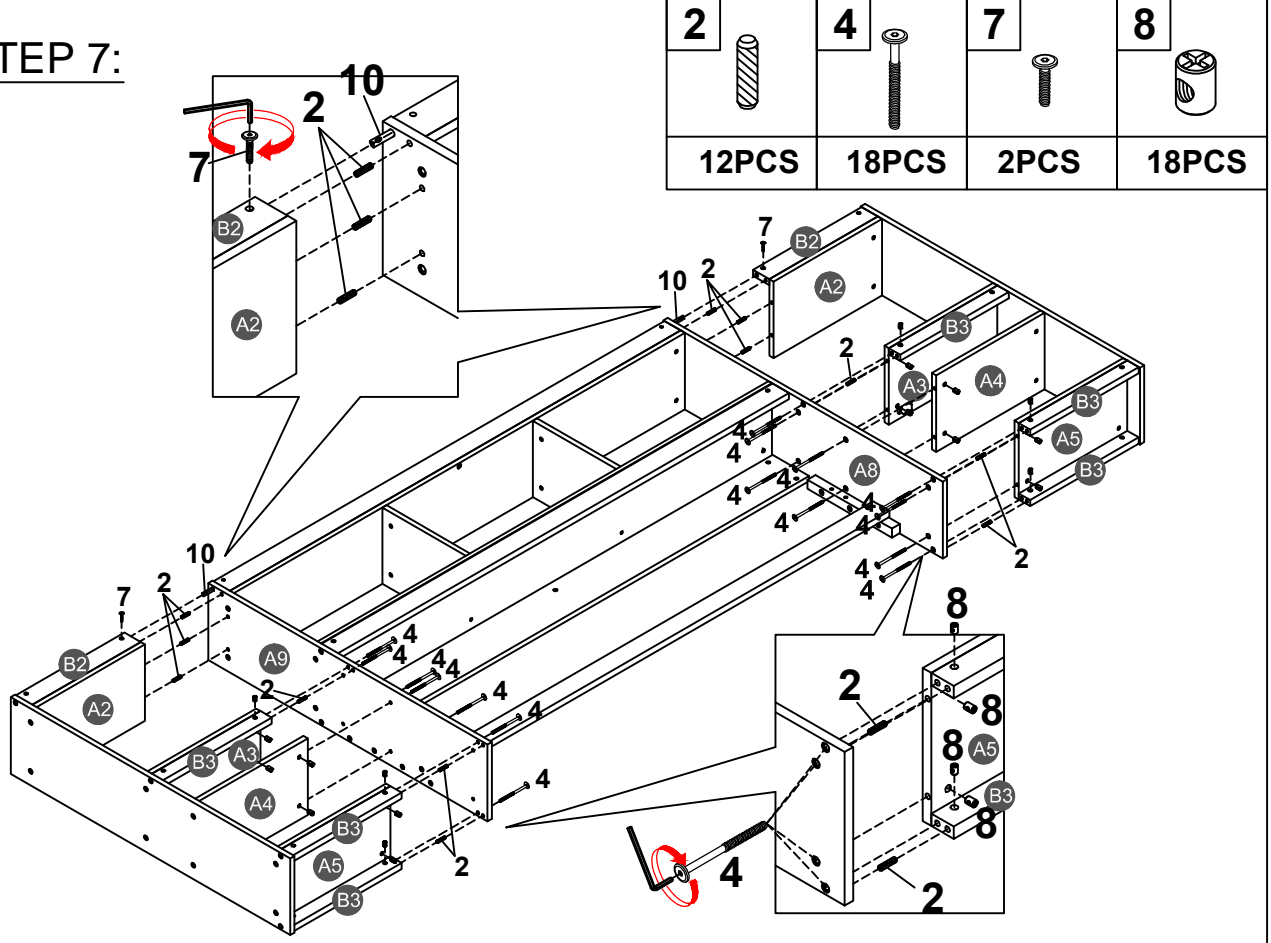
2		4		7		8		9		
6PCS		16PCS		2PCS		16PCS		1PC		
									10	
									2PCS	

STEP 6:



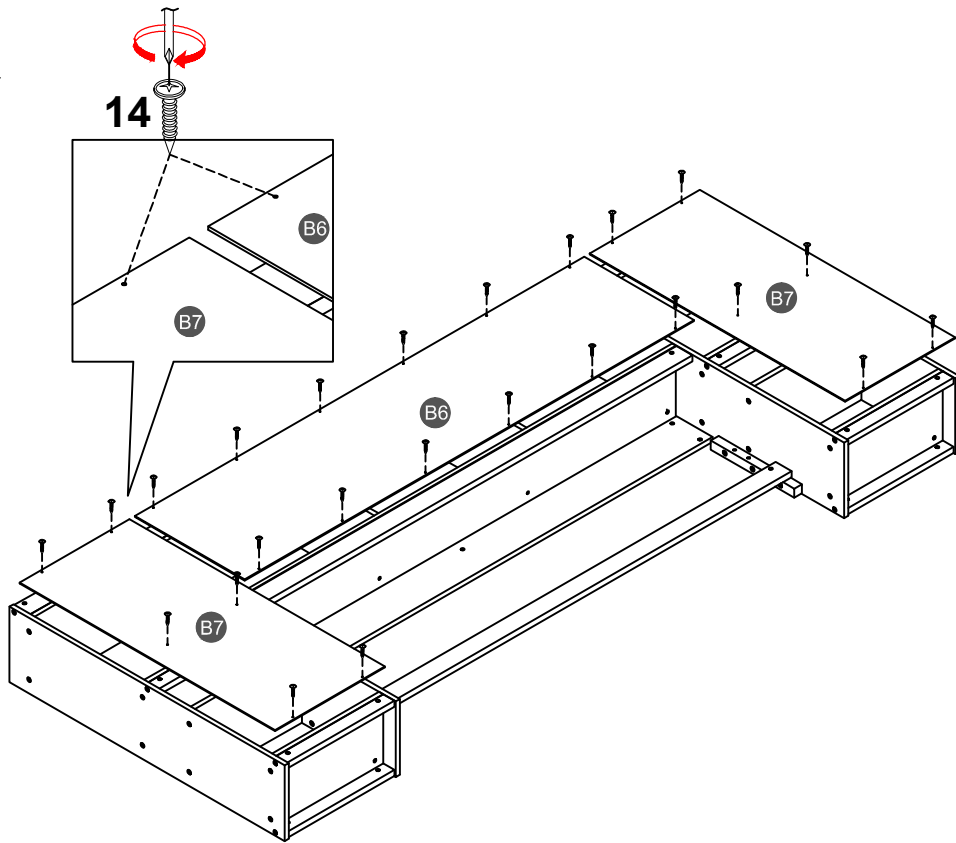
2	4	8
8PCS	24PCS	24PCS


STEP 7:



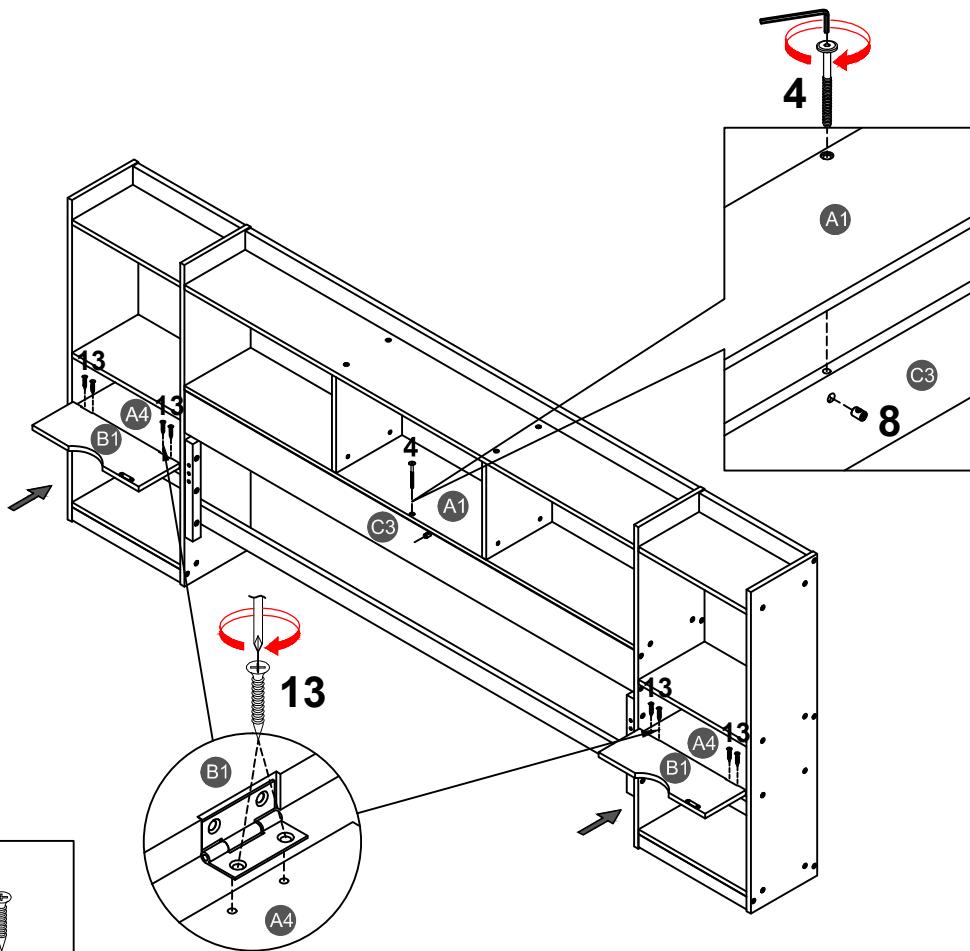
2	4	7	8
12PCS	18PCS	2PCS	18PCS




STEP 8:



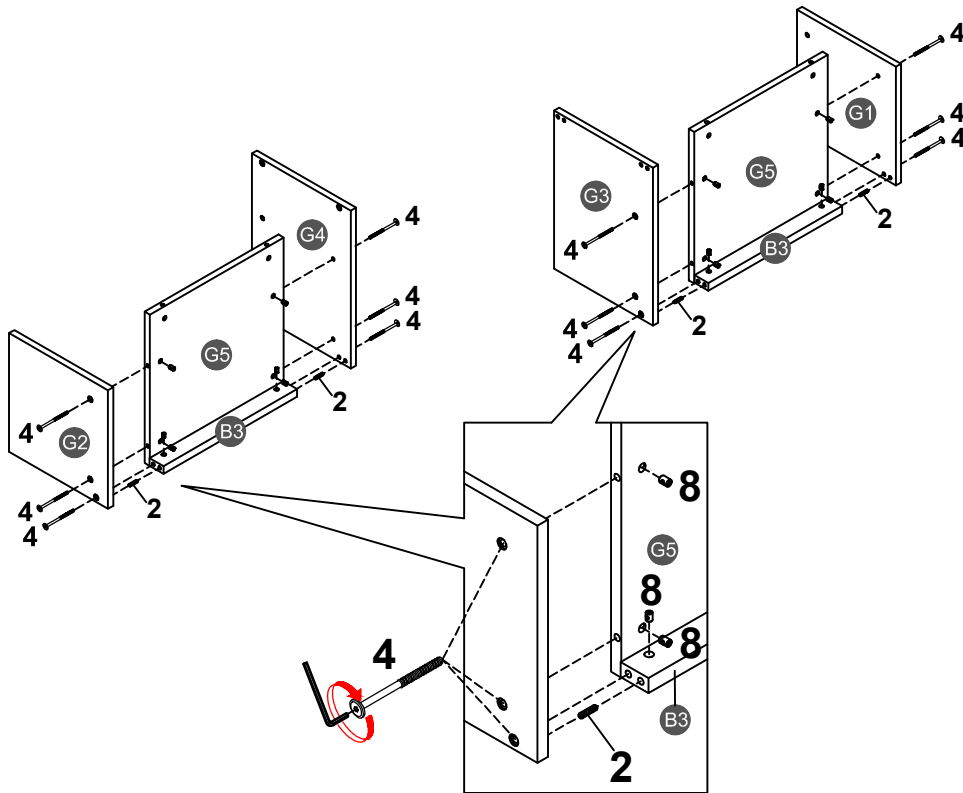
14	
24PCS	

STEP 9:



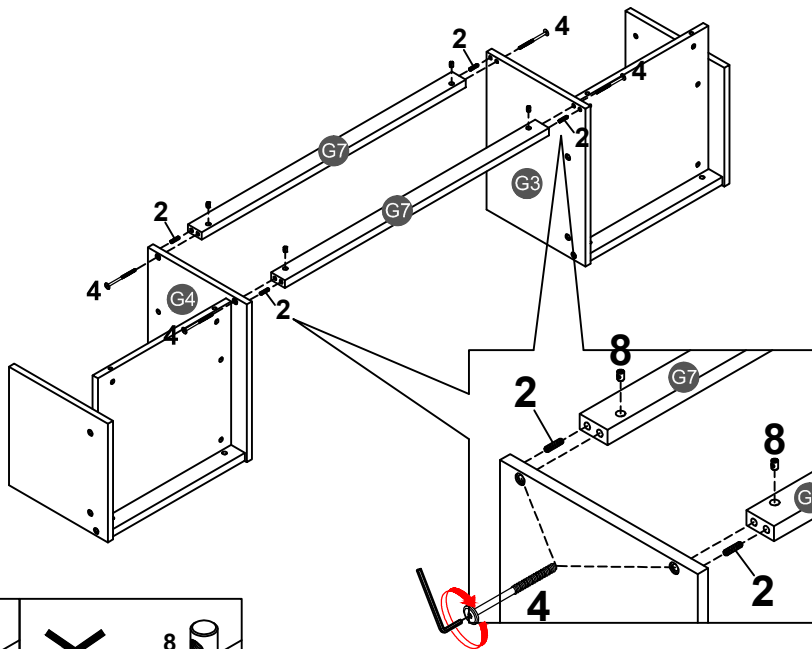
4		13	
1PC		8PCS	
8			
1PC			

STEP 10:

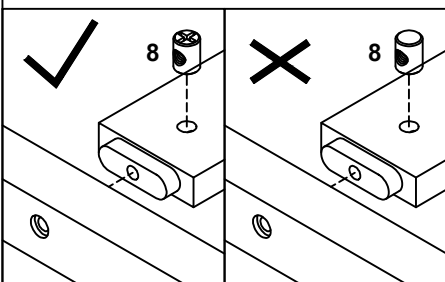


2	
4PCS	
4	
12PCS	
8	
12PCS	

STEP 11:

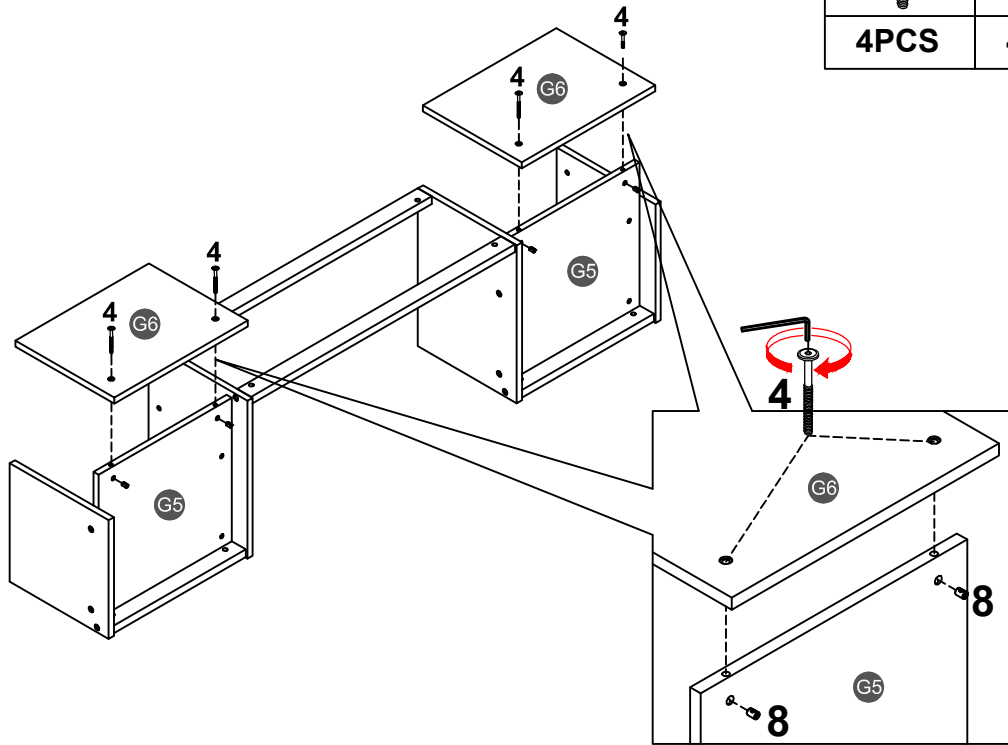




2		4	
4PCS		4PCS	
8		4PCS	



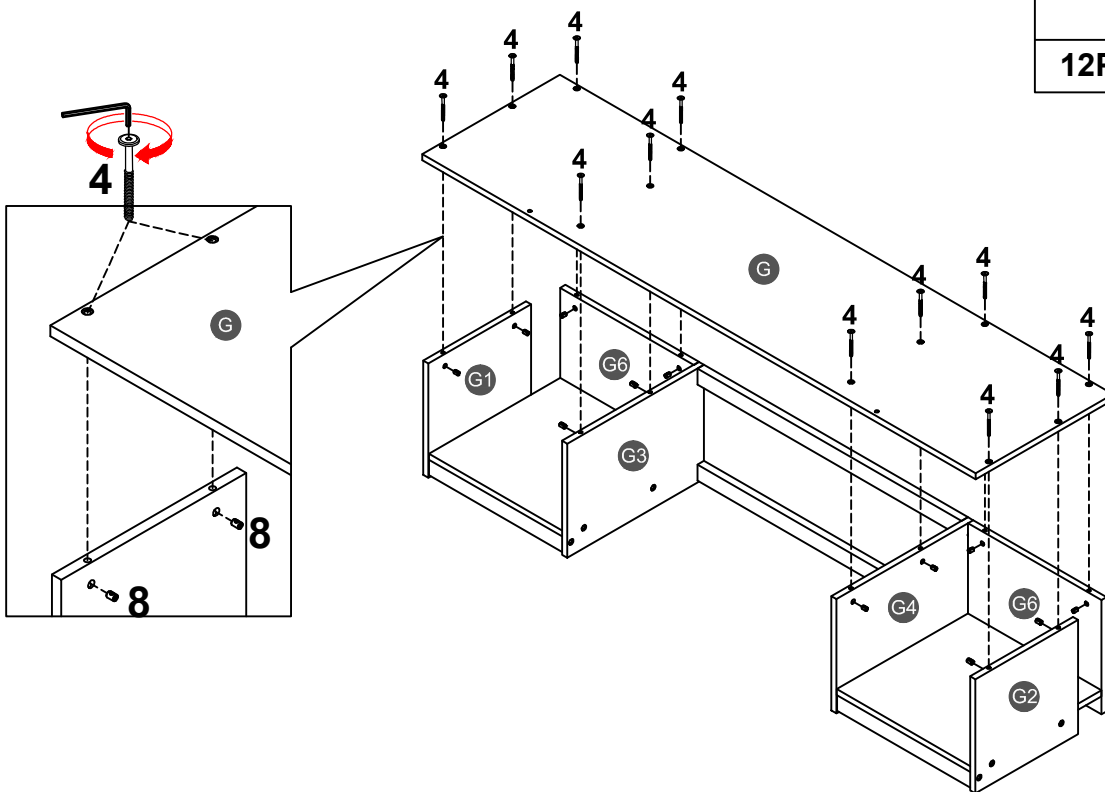
Note: Part 8 will face up with the "x" mark on it, otherwise it cannot be tightened



STEP 12:




4		8	
4PCS		4PCS	

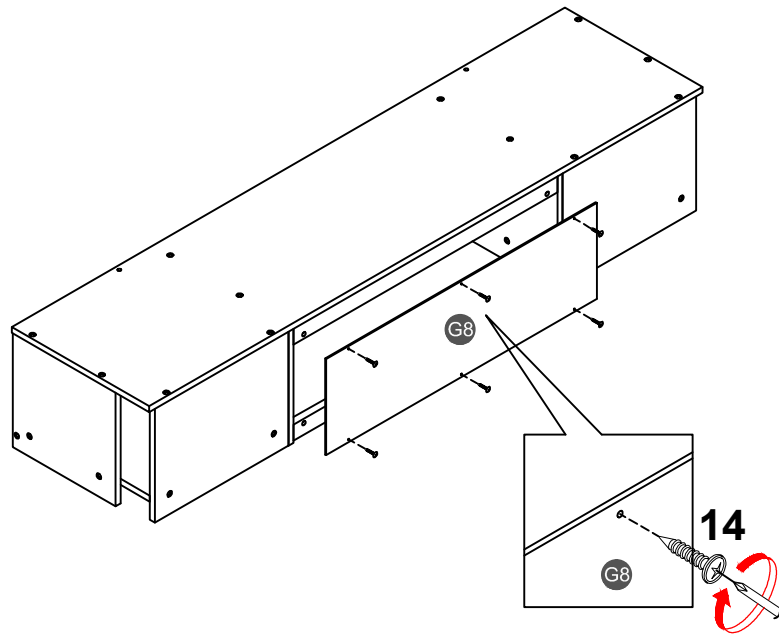
STEP 13:






4		8	
12PCS		12PCS	

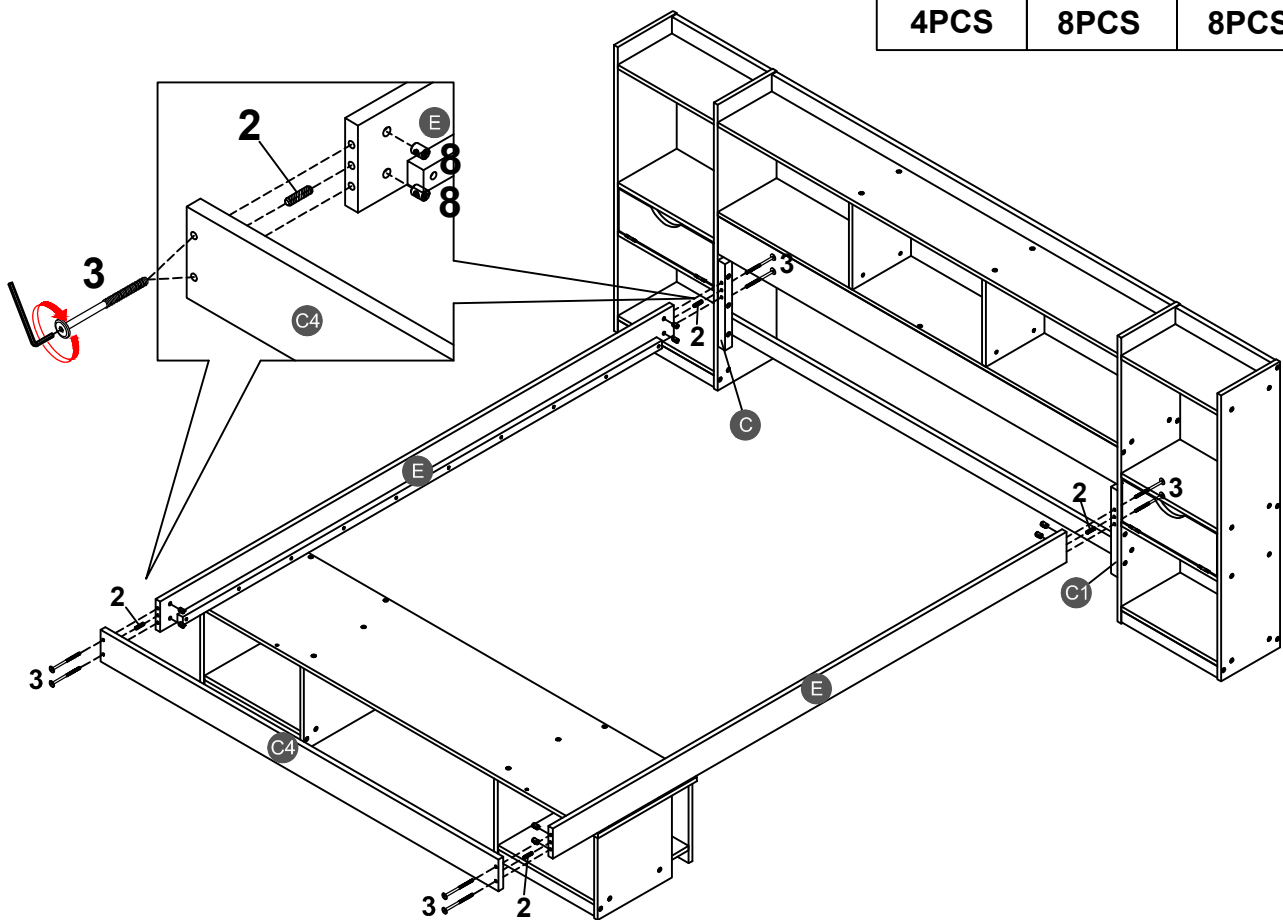
STEP 14:

14

6PCS

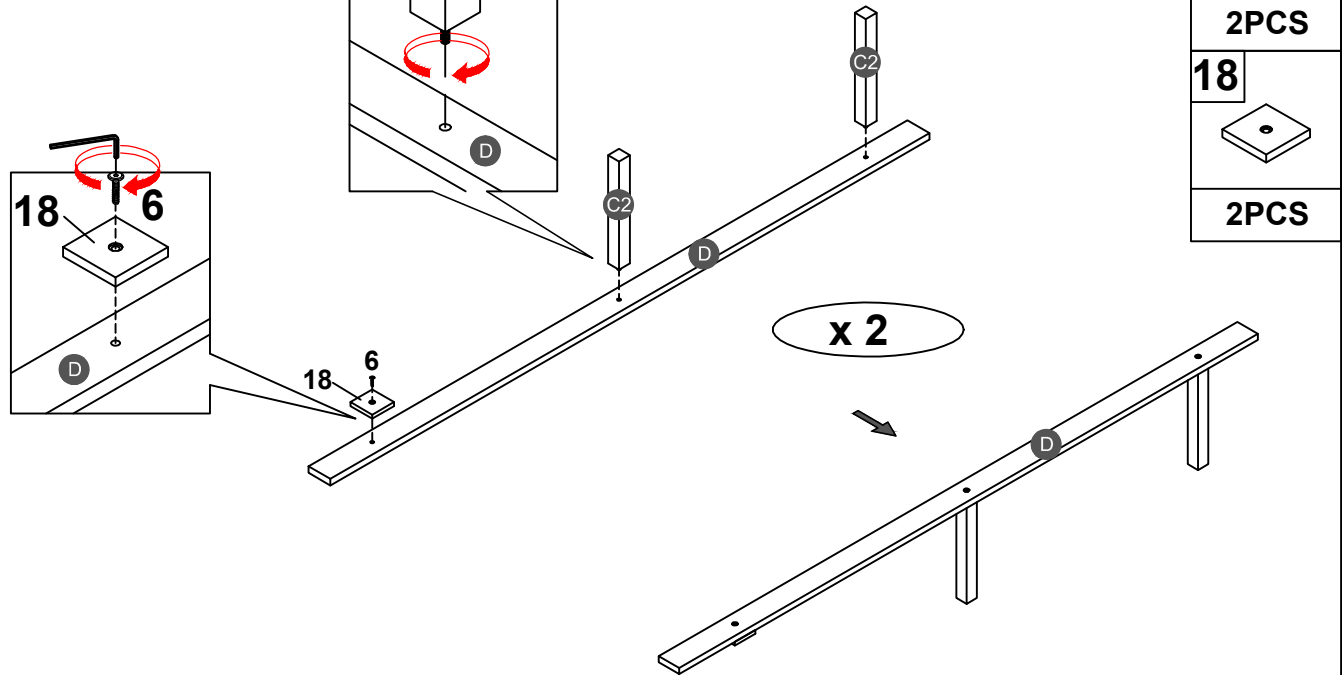


STEP 15:

2	3	8
		
4PCS	8PCS	8PCS

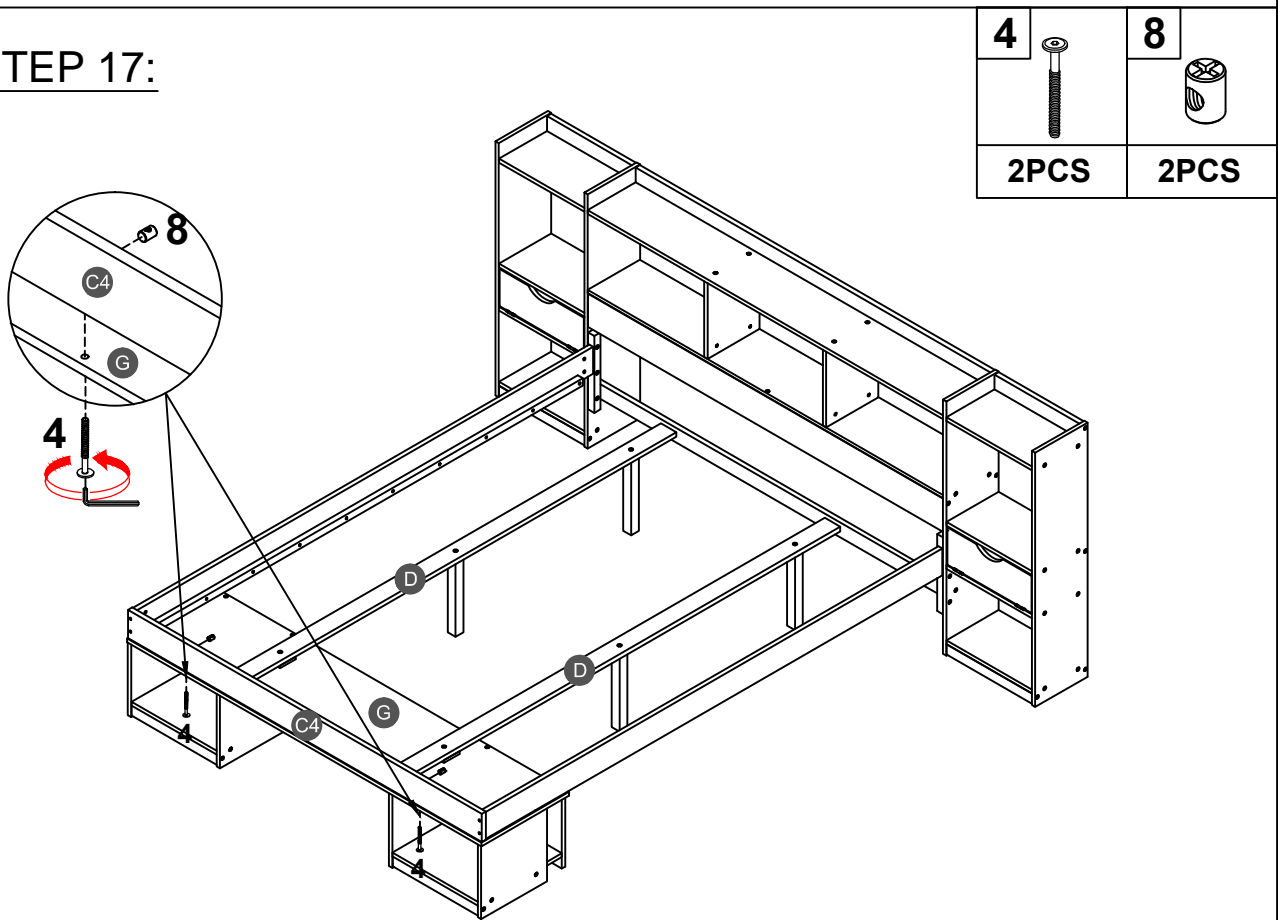


STEP 16:




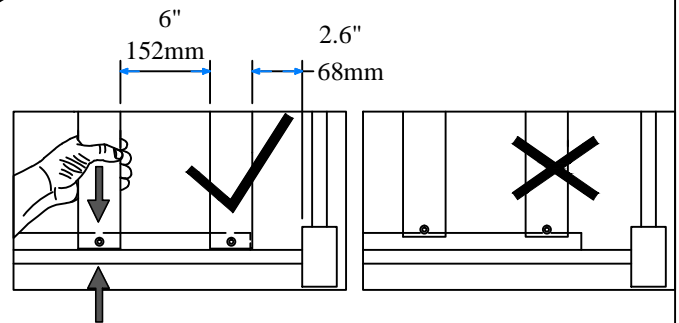
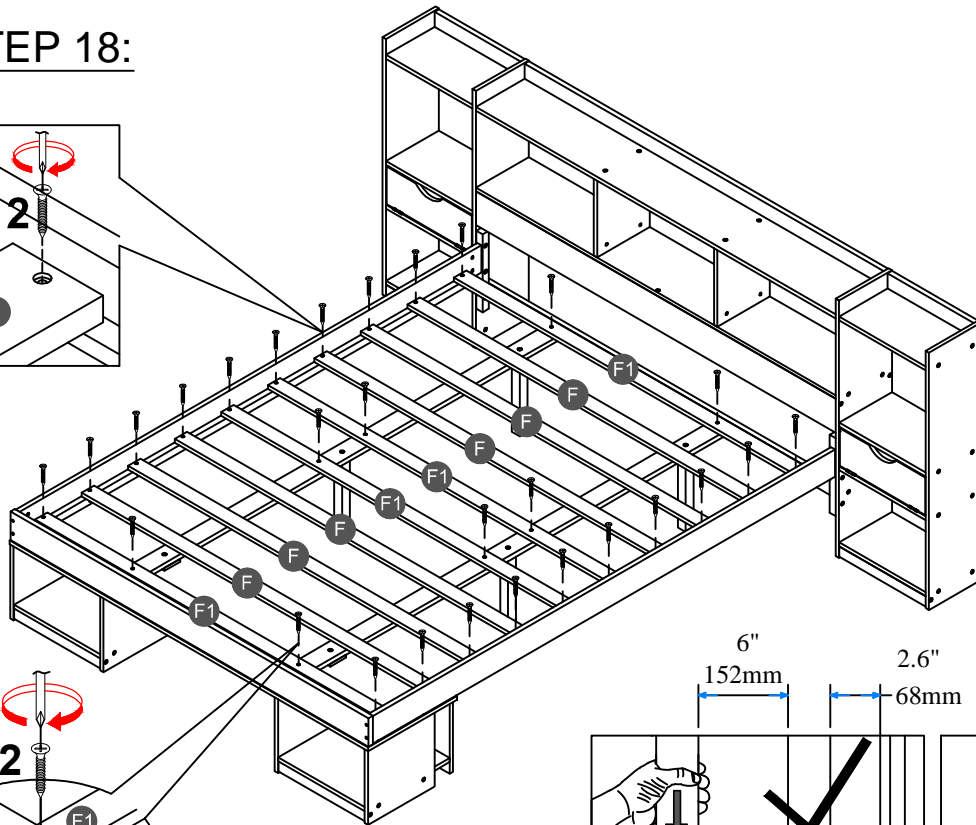
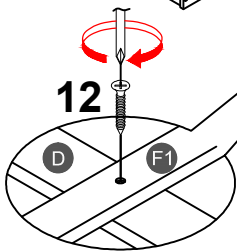
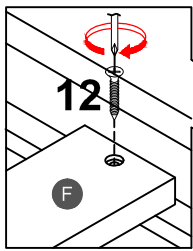
Assembling leg support (C2) with lower support slat (D) later rotate,
Move support slat inside Queen bed.

STEP 17:






STEP 18:

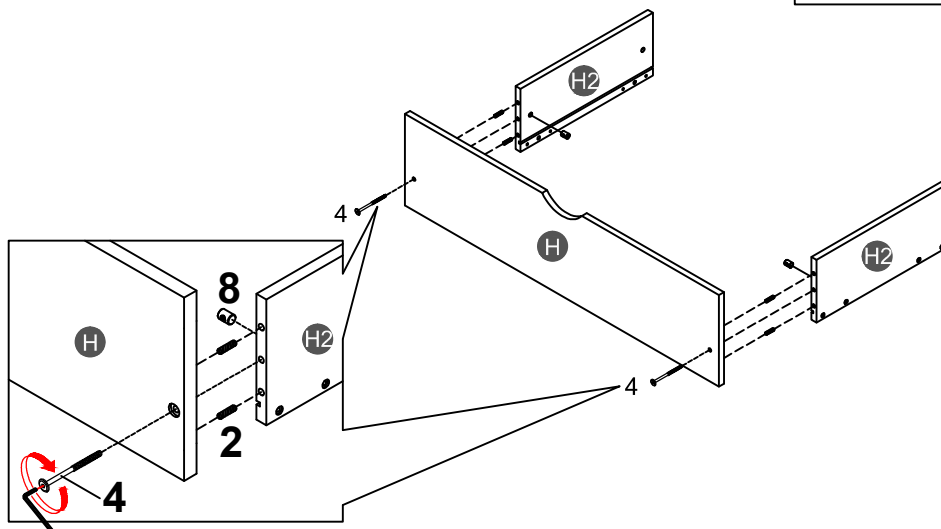
12	
28PCS	






NOTE: Please make sure the bed slats close to the side rail before locking the screws to avoid breakage. This step is required for both the left and right sides. Moreover, please do not lock the screws of the bed slats at the outermost edge to avoid damaging.

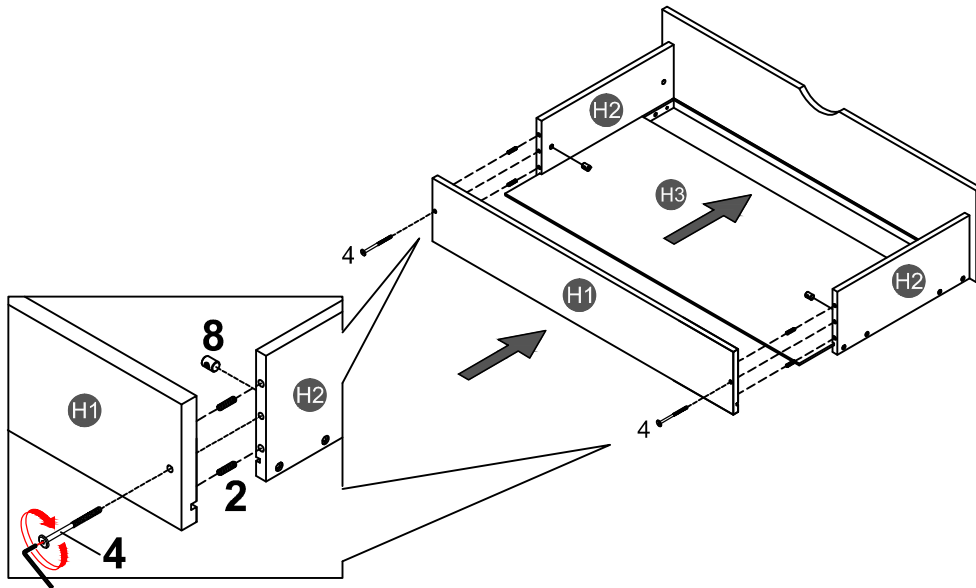
STEP 19:

2		4		8	
4PCS		2PCS		2PCS	






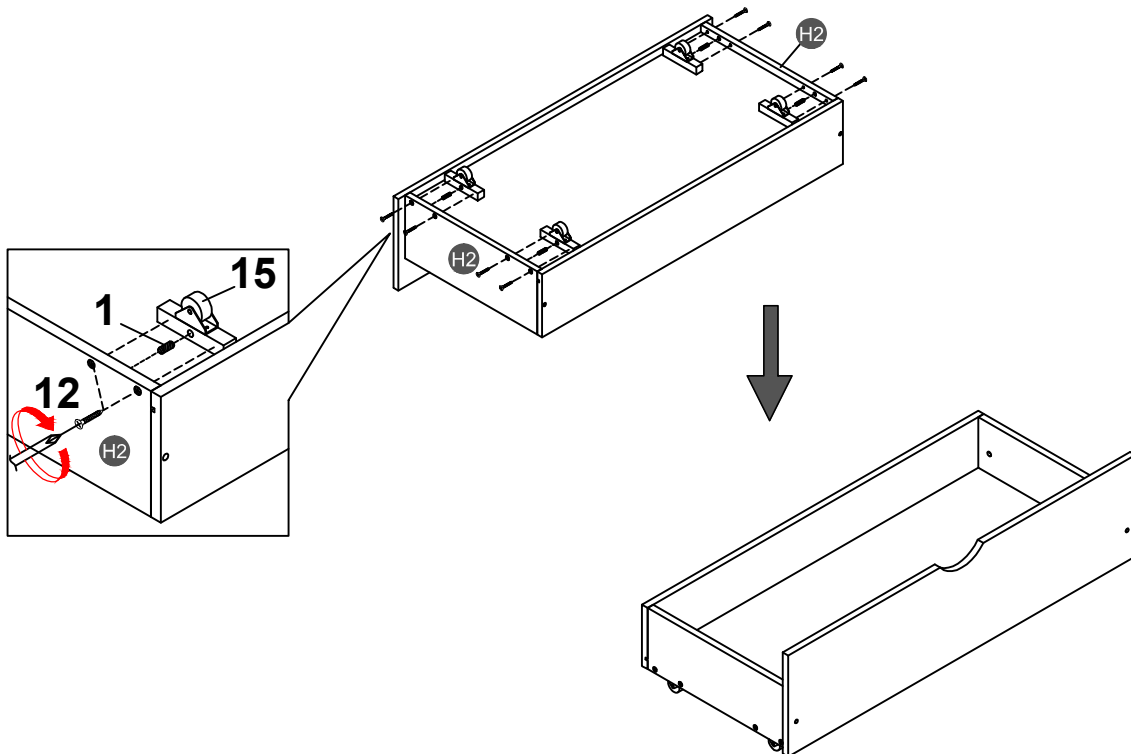
STEP 20:

2		4		8	
4PCS		2PCS		2PCS	

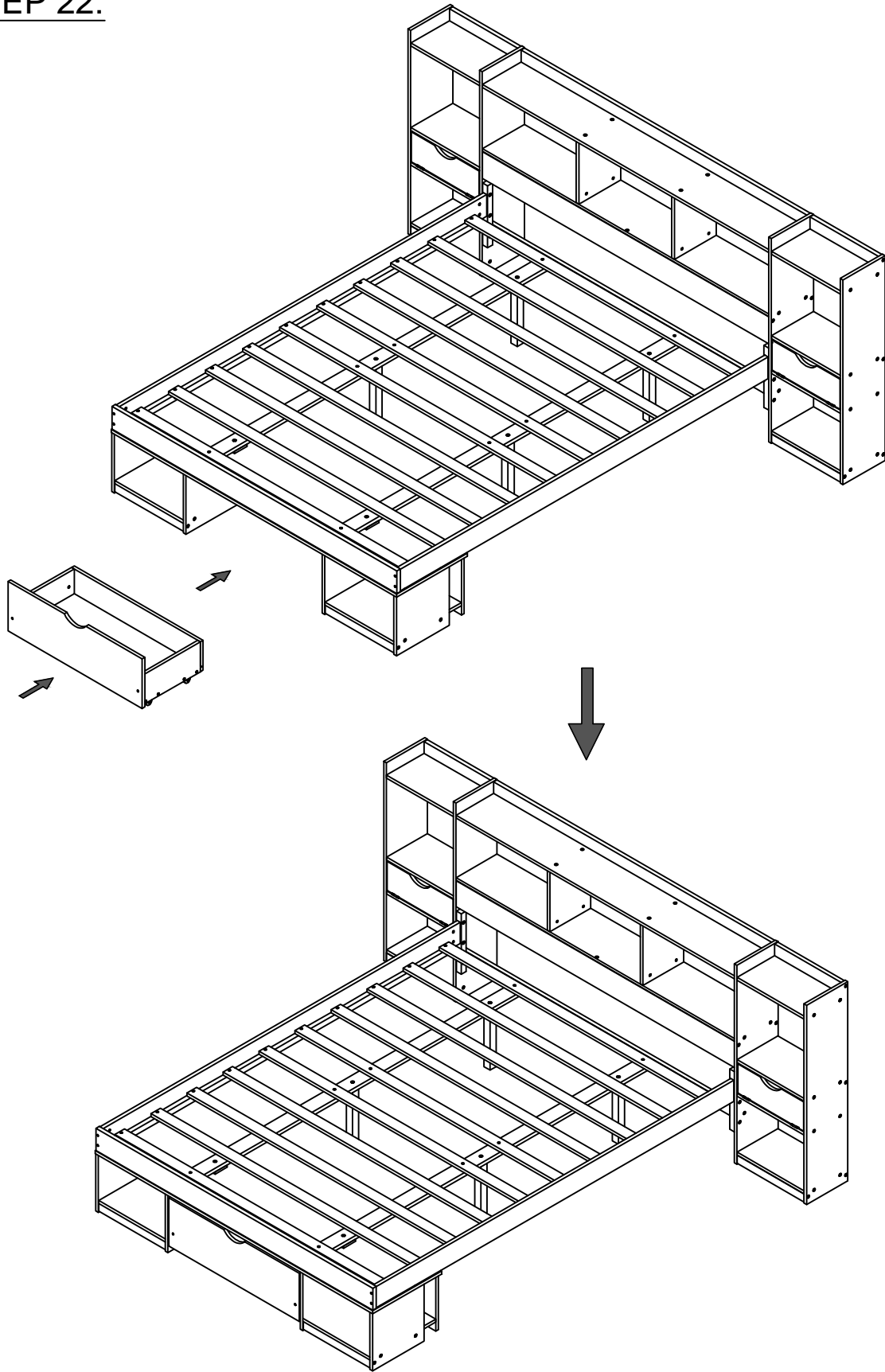


STEP 21:

1		12		15	
4PCS		8PCS		4PCS	



STEP 22:



Make sure to tighten all the screws of the bed.