

Please scan the QR code to get the installation video.
If the QR code is invalid, please search for the title in Youtube
BL Series Double Sliding Glass Shower Door Corner Shower Enclosure
<https://www.youtube.com/watch?v=lpHHC1b6LAc>



◆ General information

Please inspect the product immediately upon receipt for transit damage, missing packs/parts or manufacturing fault. Damage reported later cannot be accepted. Please handle the product with care avoiding knocks and shock loading to all sides and edges of the glass.



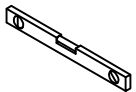
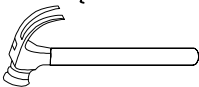
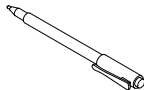
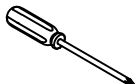
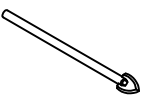
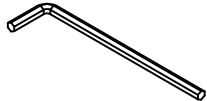
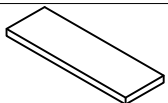
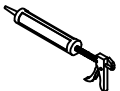
Note: Safety glass can not be re-worked.

- Please read these instructions carefully before start of installation.
- Special care should be taken when drilling walls to avoid hidden pipes or electrical cables.
- Note: this product is heavy and required two persons install.

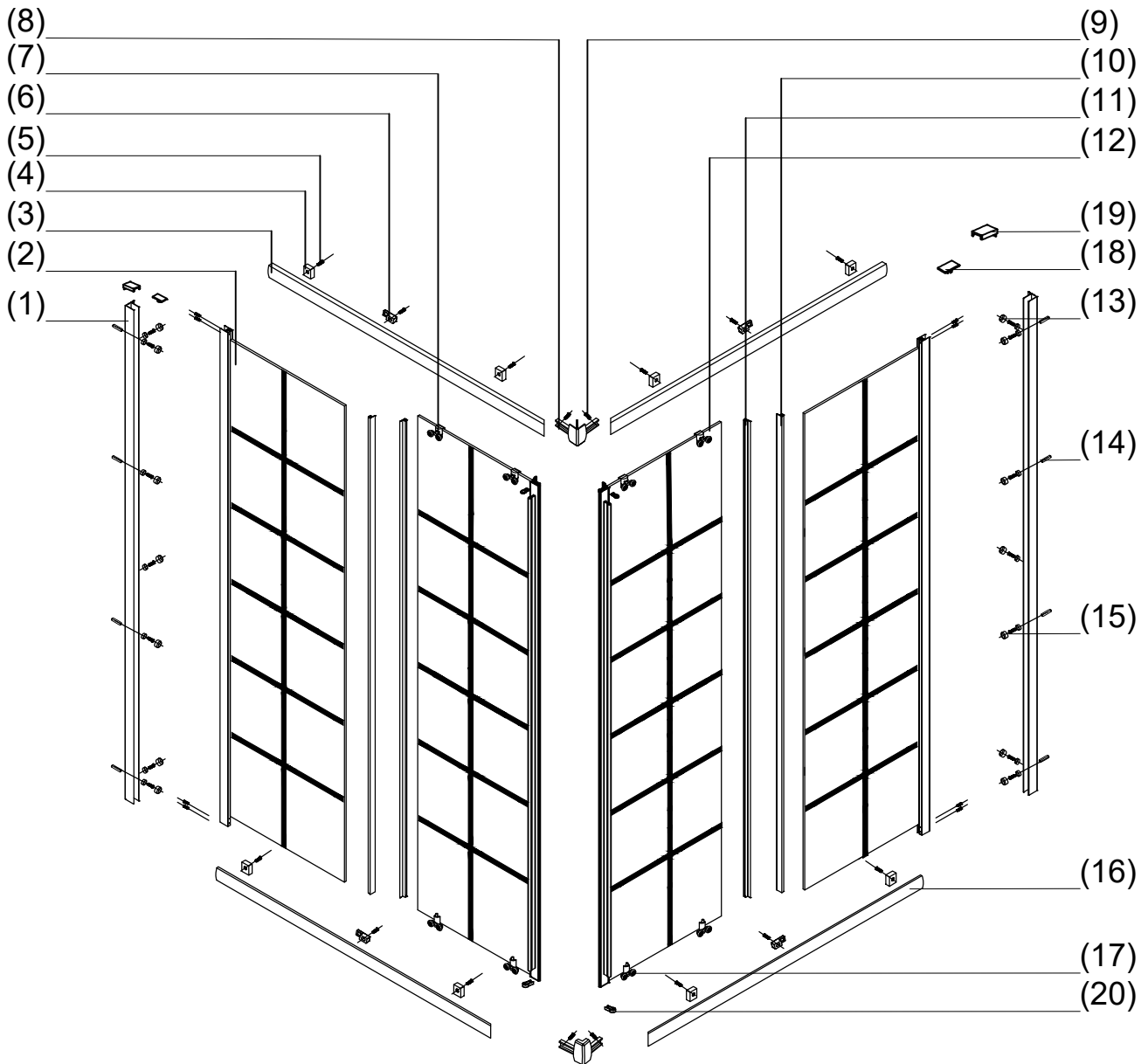
Aftercare instructions

- After use, your shower should be cleaned with soap and water. This is particularly important in hard water districts where insoluble lime salts may be deposited and allowed to build up.
- Cleaners of gritty or abrasive nature should not be used. Care should be taken to avoid contact with strong chemicals such as organic solvents and strippers.
- Glass cleaners can be used but with caution, if in doubt contact the manufacturer of the cleaner in question.
- Please keep these instructions for aftercare and customer service details.

TOOLS REQUIRED

DESCRIPTION	PART IMAGE	DESCRIPTION	PART IMAGE
Tape measure		Drill	
Spirit level		Hammer	
Pencil		Cross head Screwdriver	
Ø0.24in / Ø0.12in Drill bit		Inner hexagon Spanner	
0.79in Thick board		Silicone Sealant	

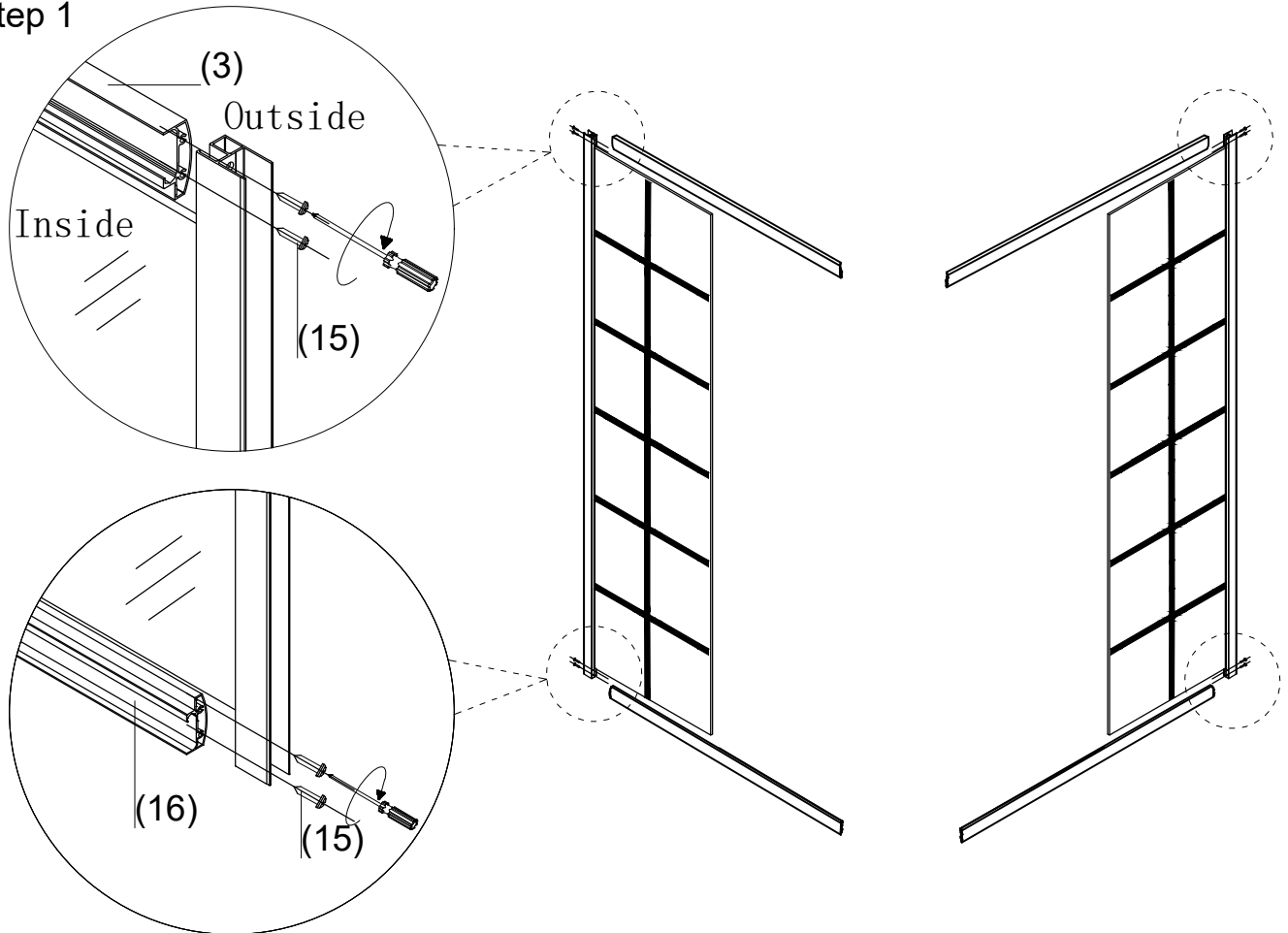
ASSEMBLY INSTRUCTIONS-DRAWING



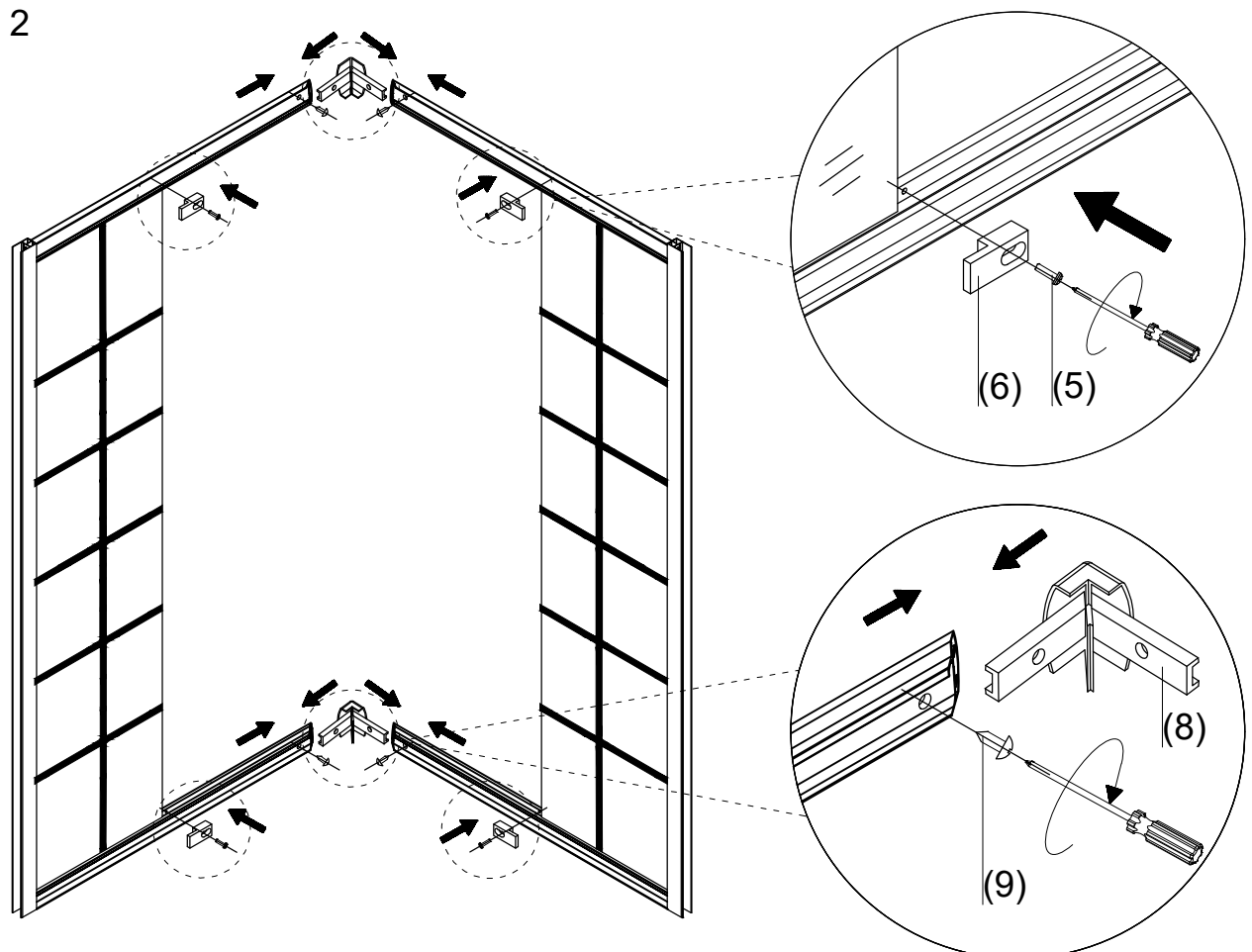
NO.	Description	QTY	Diagram
1	Wall jamb	2	
2	Fixed glass	2	
3	Upper slideway	2	
4	Limit block	8	
5	Metric Screw(3.9x10)	18	
6	Glass clamp	4	
7	Pulley assembly	4	
8	Rail adapter	2	
9	Metric Screw(3.9x8)	4	
10	Water retaining strip	2	

NO.	Description	QTY	Diagram
11	Water retaining strip	2	
12	Movable glass	2	
13	Screw cover cap	14	
14	Wall anchor	8	
15	Metric Screw(3.9x30)	16	
16	Lower slideway	2	
17	Pulley assembly	4	
18	Decorative cover	2	
19	Decorative cover	2	
20	Decorative cover	4	

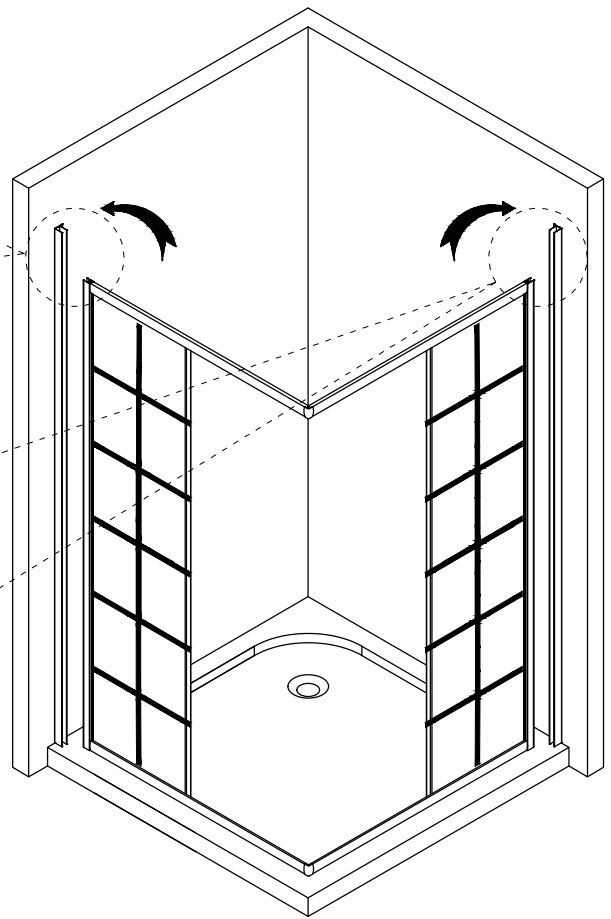
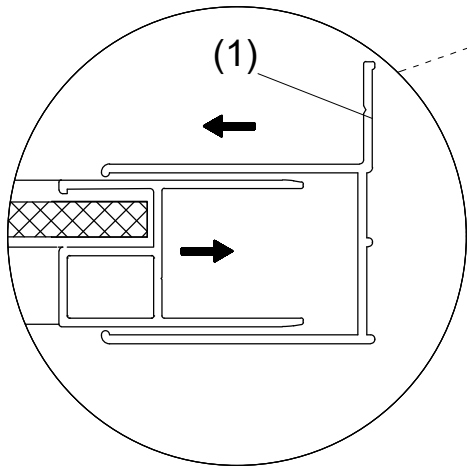
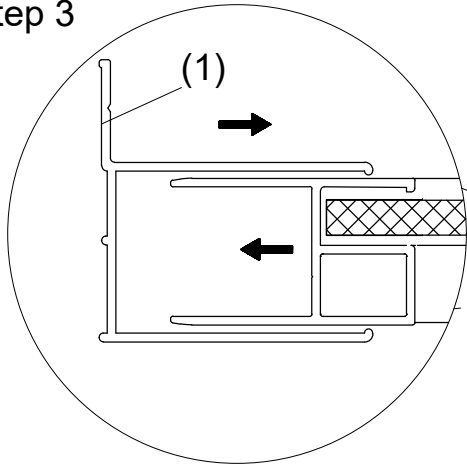
Step 1



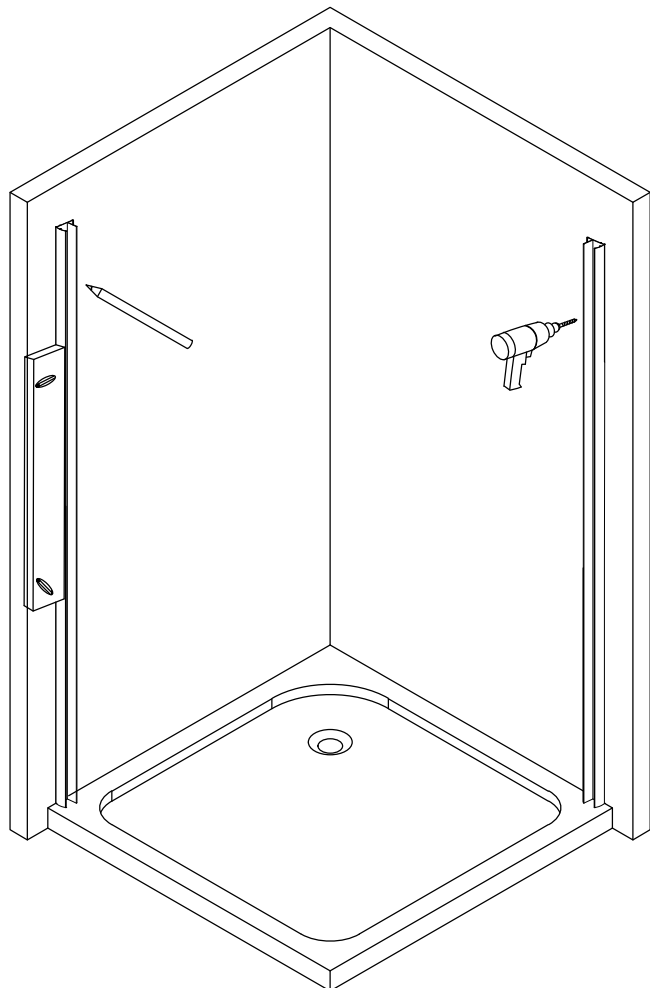
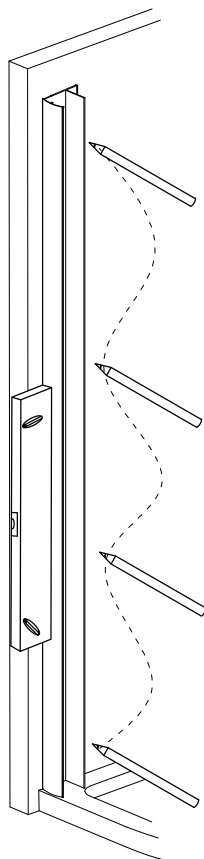
Step 2

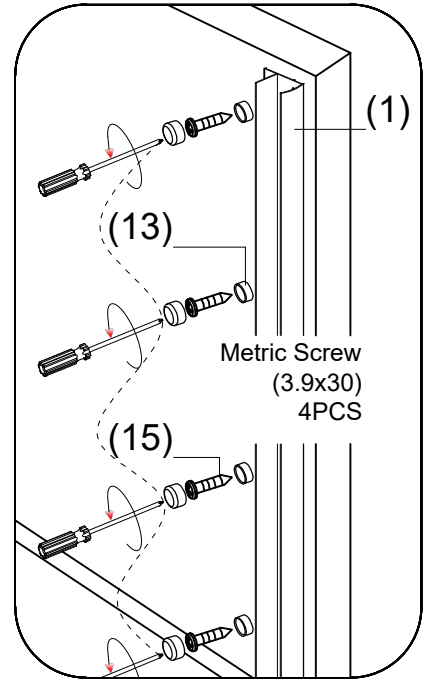
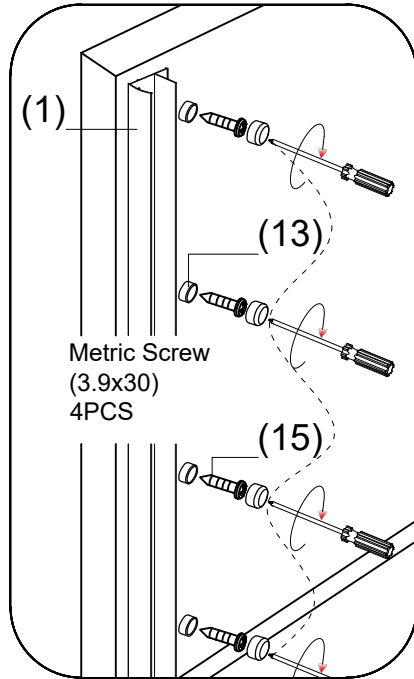
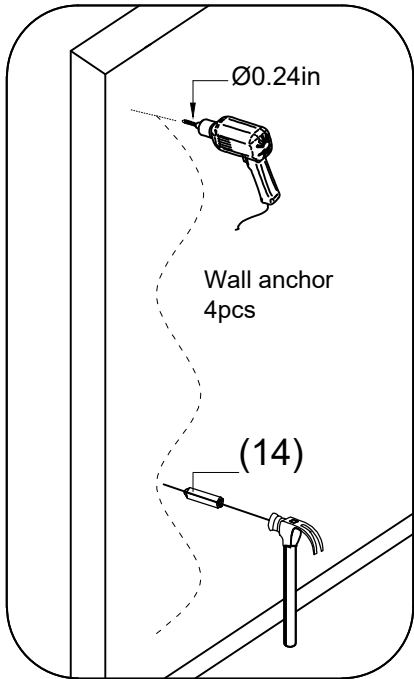


Step 3

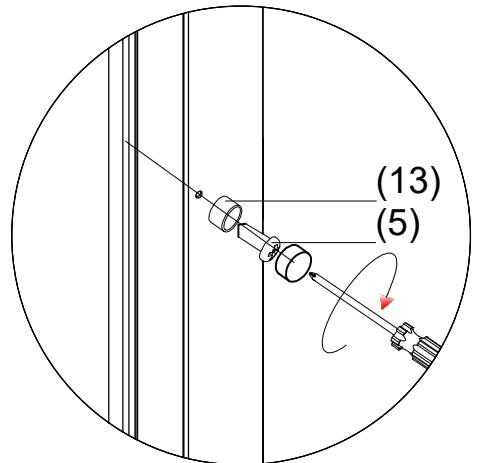
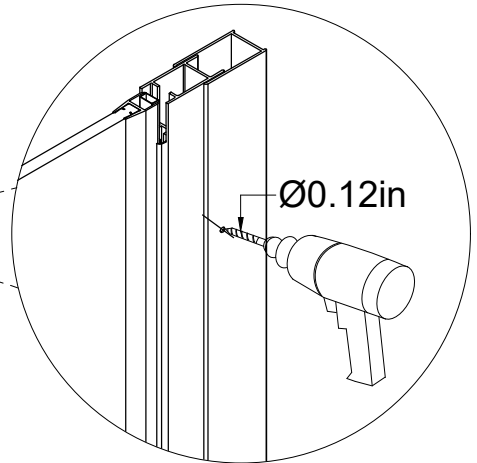
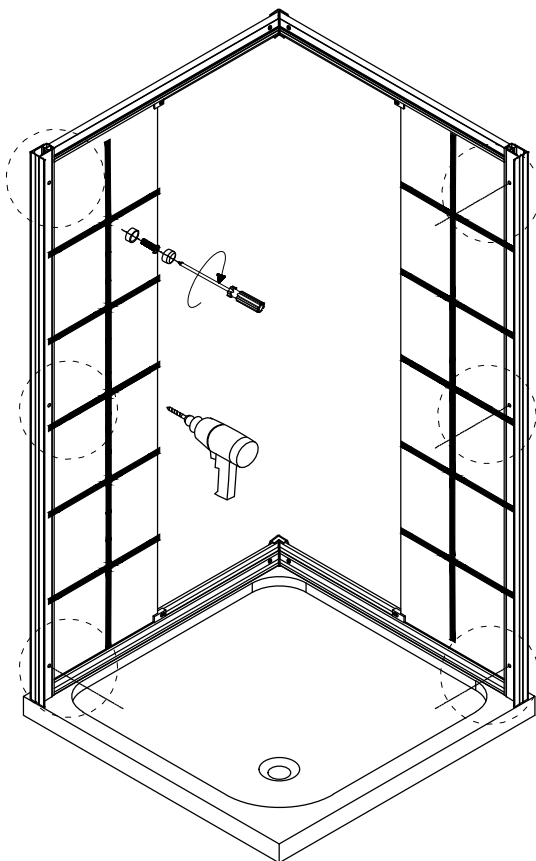


Step 4

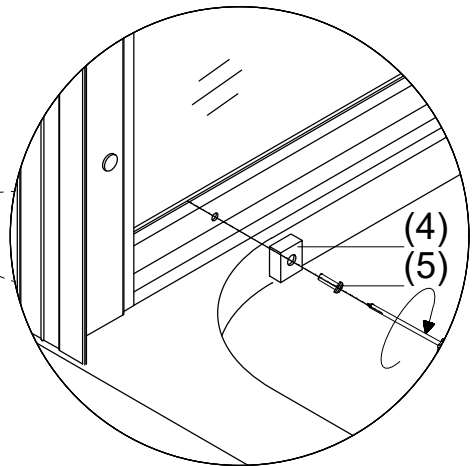
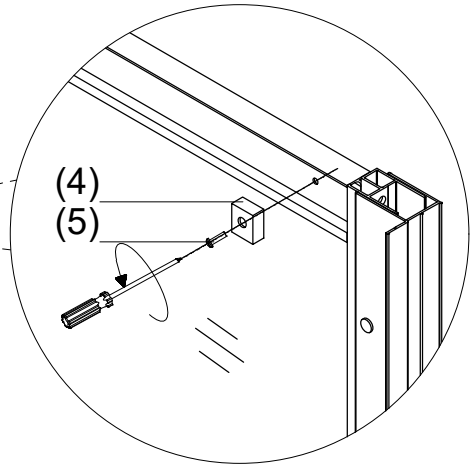
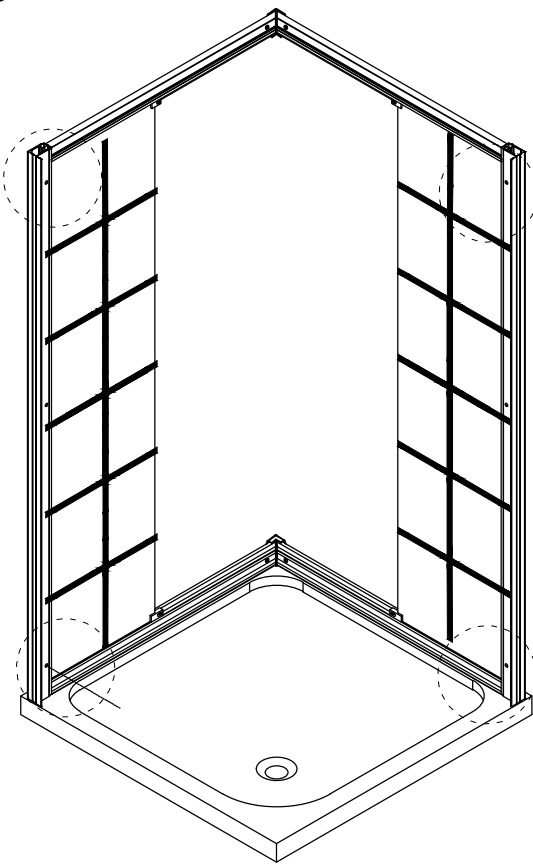




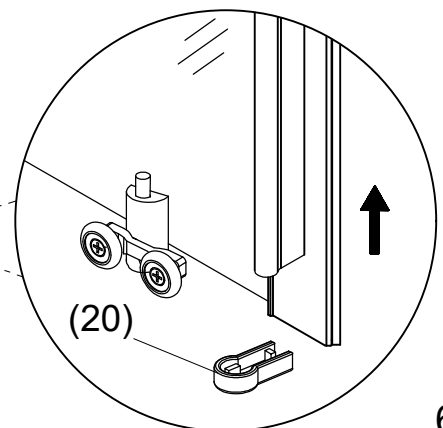
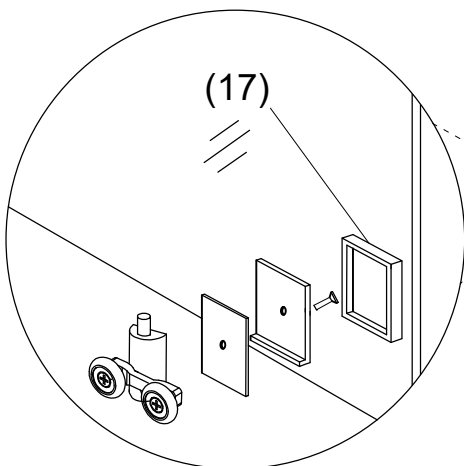
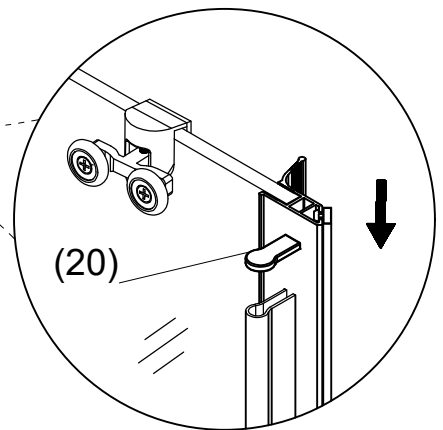
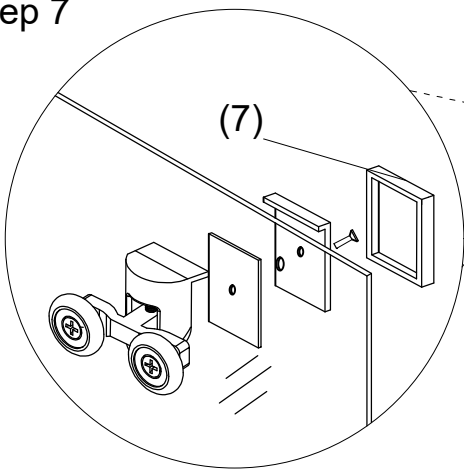
Step 5



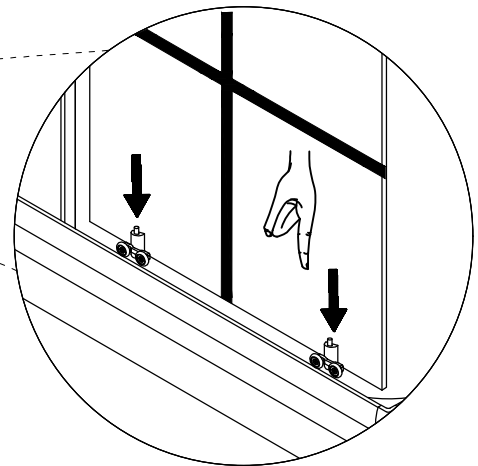
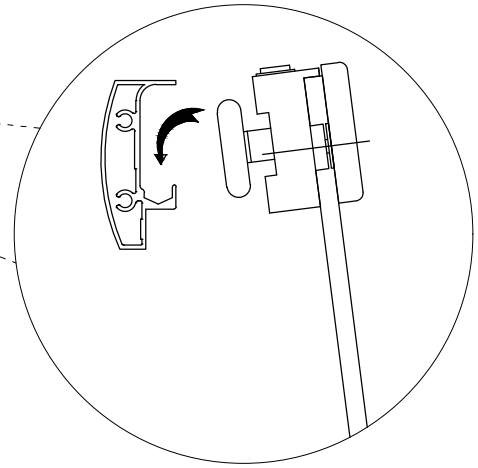
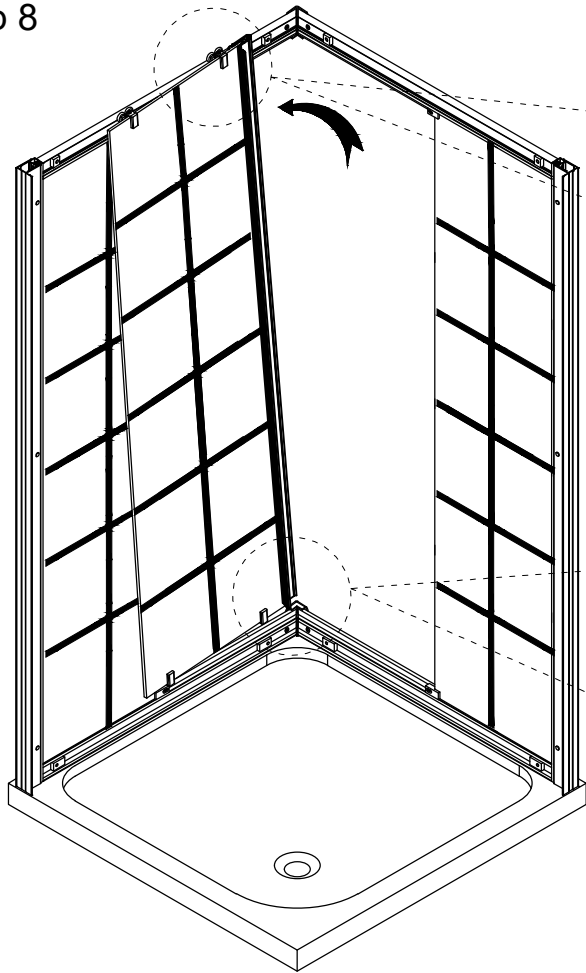
Step 6



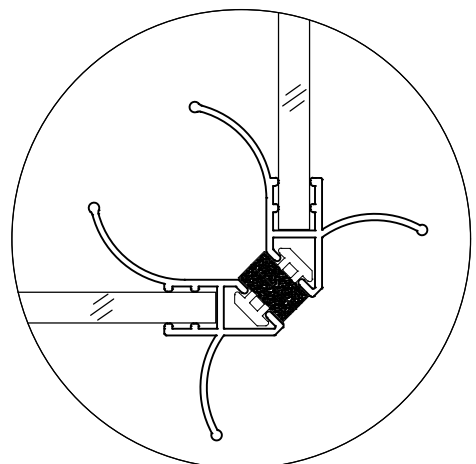
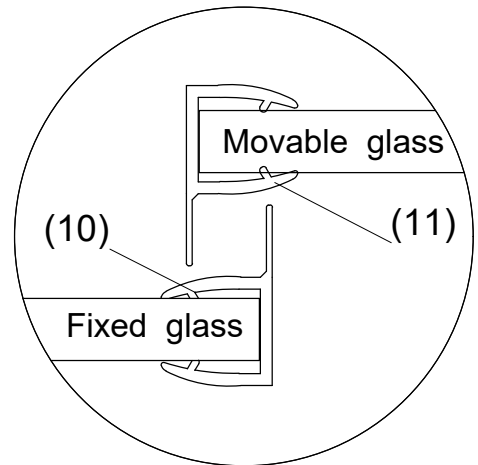
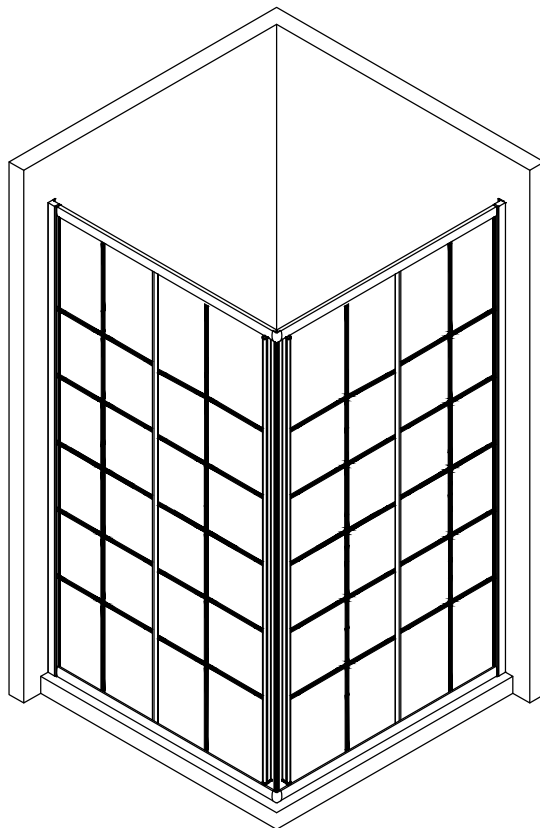
Step 7



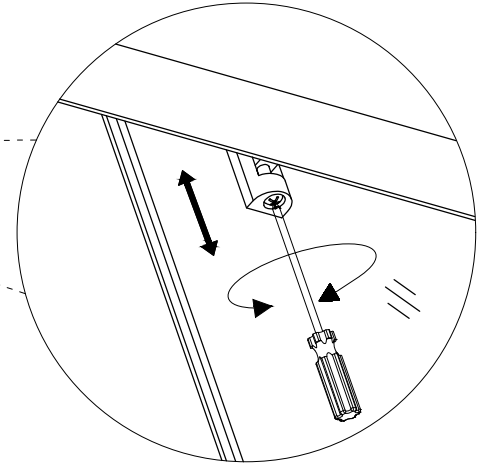
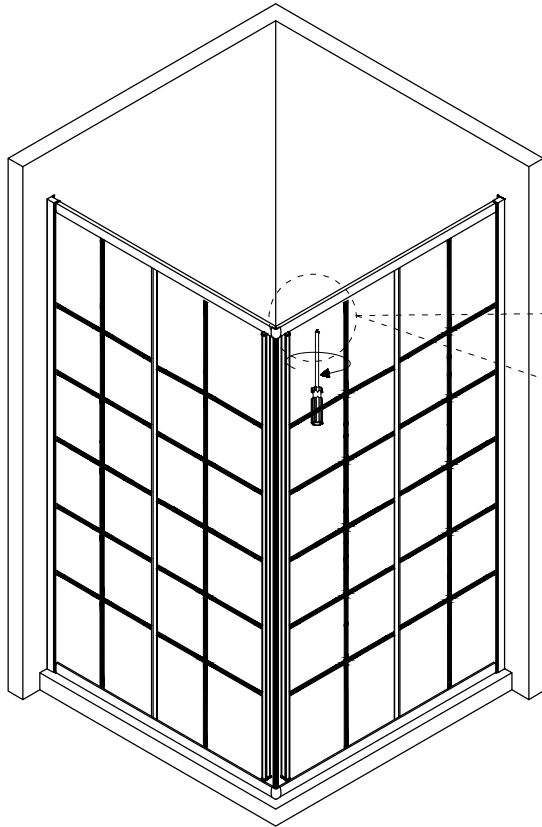
Step 8



Step 9

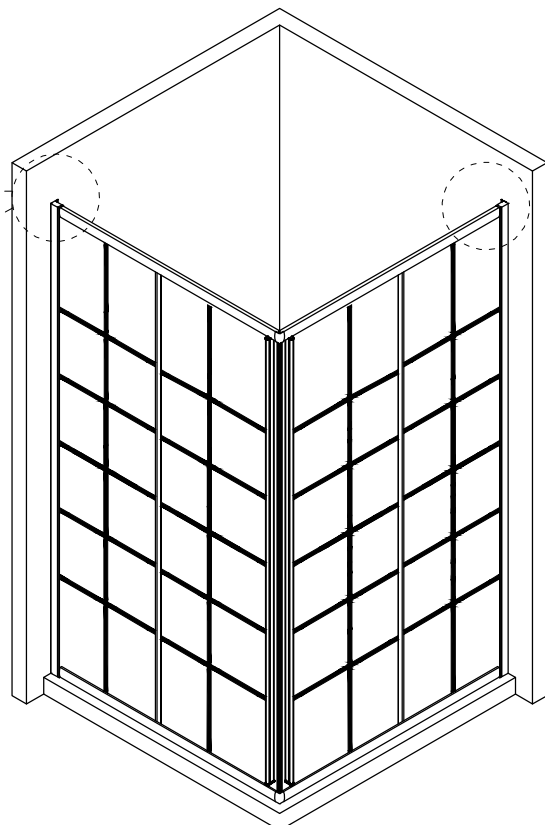
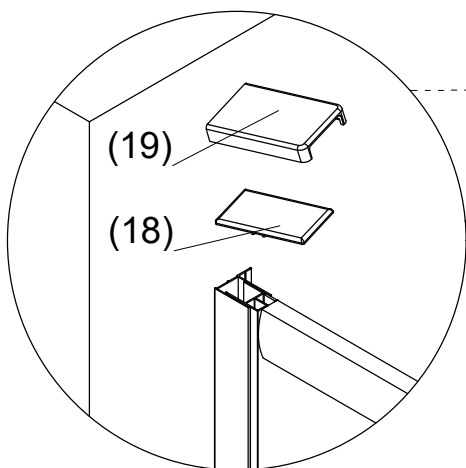


Step 10

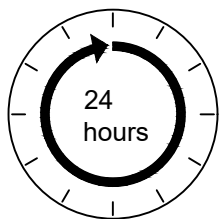
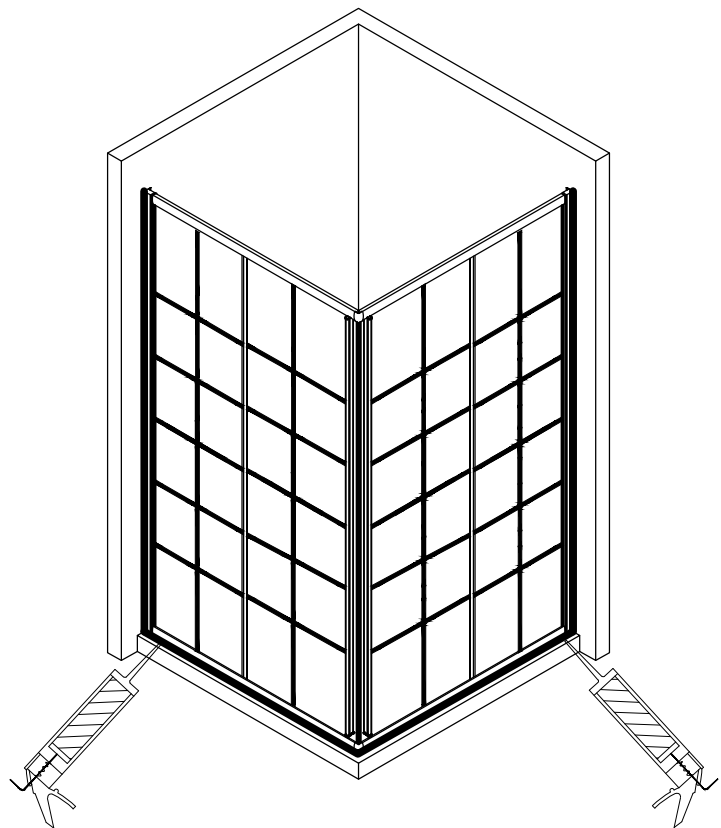
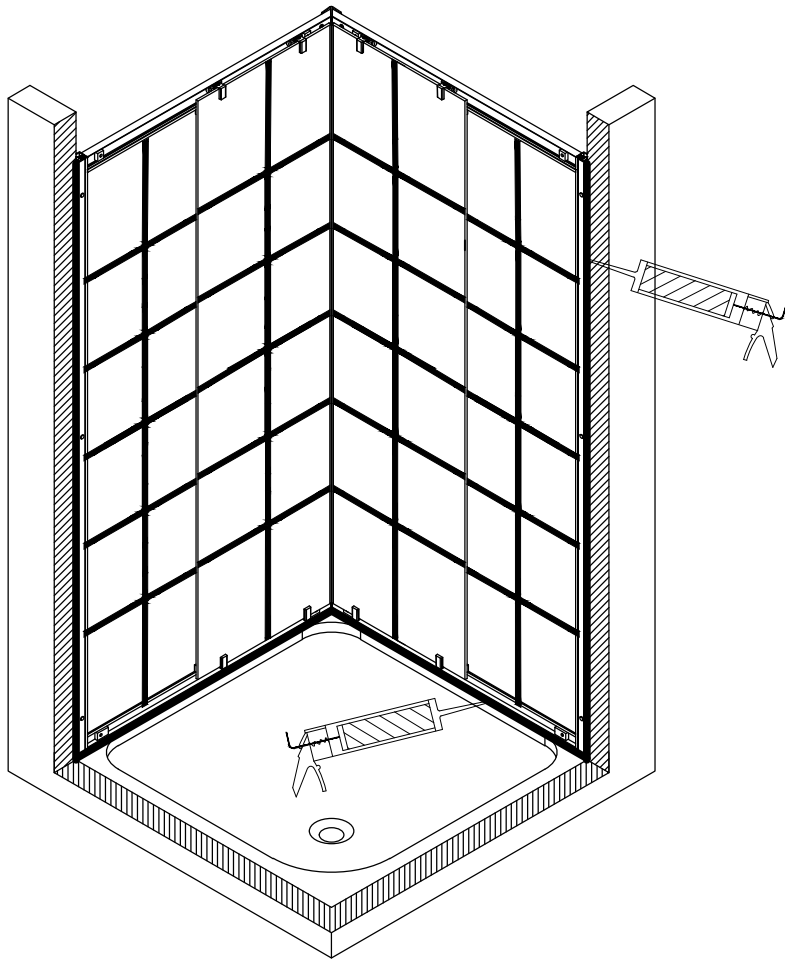


Adjust the top rollers in the event of glass door is not leveled

Step 11



Step 12



9 Allow 24 hours for silicone to dry before use.
Silicone on the outside edge only