




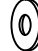




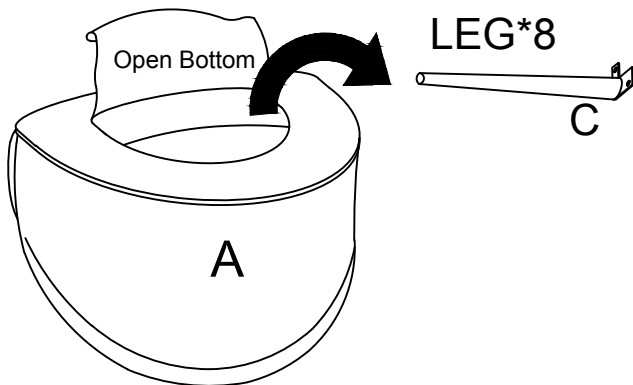
NO.	PARTS LIST		QTY
A		CHAIR FRAME	1 PC
B		OTTOMAN FRAME	1 PC
C		LEGS	8 PCS

NO.	PARTS LIST		QTY
1		BOLT 19*M8	16PCS
2		SPRING WASHER	16PCS
3		FLAT WASHER	16PCS
4		ALLEN WRENCH	1 PC
5		TOOT WASHER	8PCS

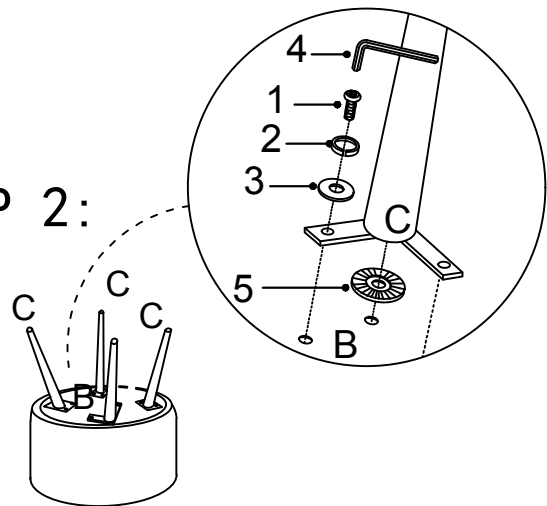


NOTE: UNIT SHOULD BE ASSEMBLED BY TWO OR MORE PEOPLE.  
DO NOT ITGHTEN ANY BOLTS UNTIL ALL BOLTS HAVE BEEN STARTED!

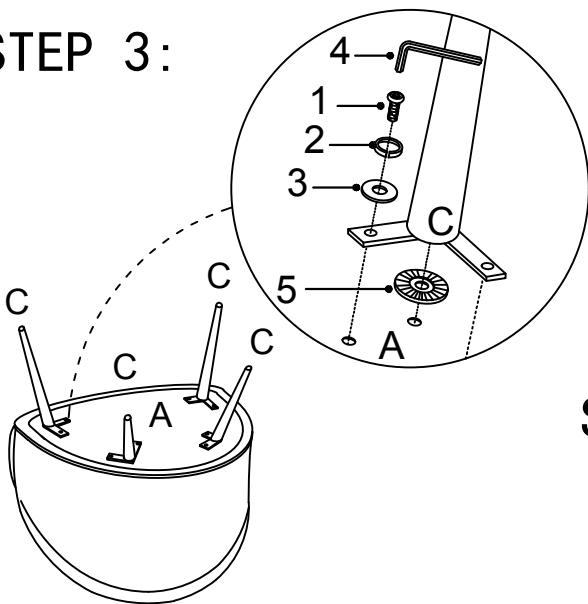
### STEP 1:



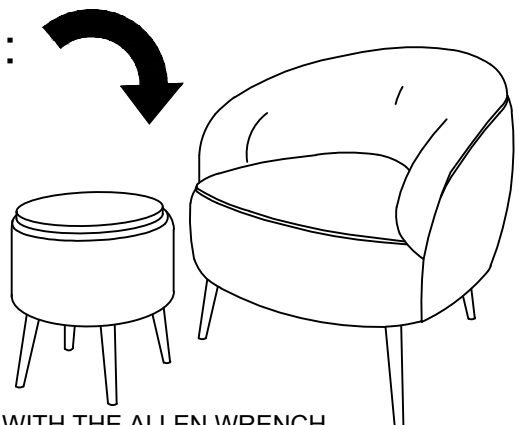
### STEP 2:



### STEP 3:



### STEP 4:



NOTE: LEVEL THE CHAIR TIGHTEN ALL BOLTS WITH THE ALLEN WRENCH.