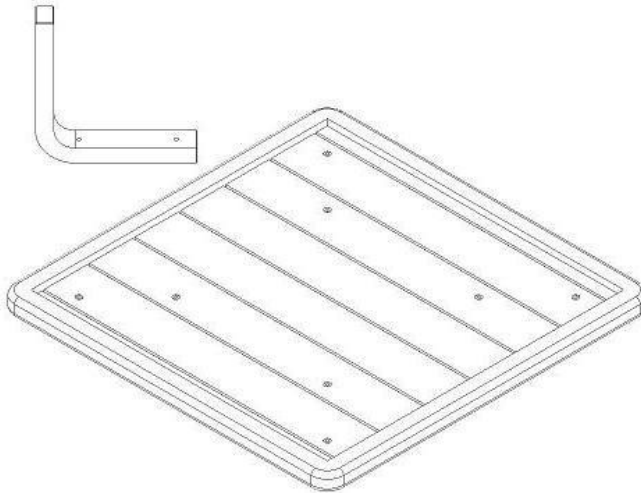


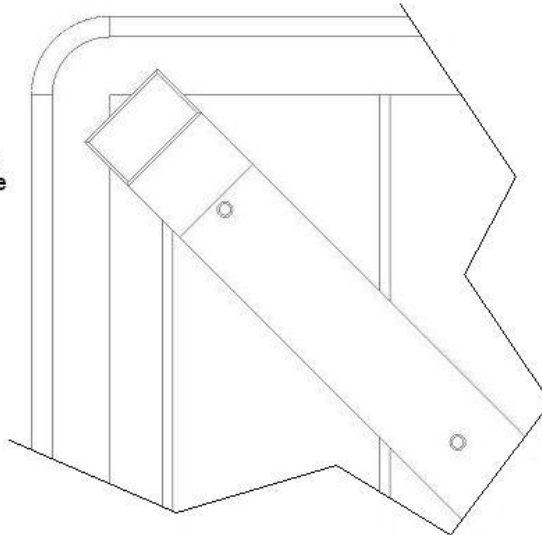


Bentwood Table Leg Installation Instructions

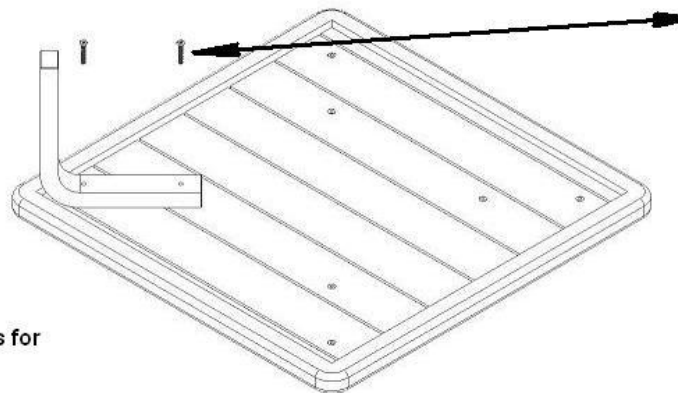
Step 1 - With the table top upside down on a soft surface such as carpet, place table leg on the bottom of the table top.



Step 2 - Align the holes on the leg with the holes on the table top.



Step 3 - Using 2 of the screws provided, put the screws through the holes on the legs and into the holes in the table top.



M6 X40 Screws
8 total provided.



Repeat these steps for each of the legs.

You may contact our Customer Service Department by phone regarding any questions that you may have. Our toll free phone number is (800) 346-6313. You may also email us with your questions at Partsdiagram@angelesstore.com.