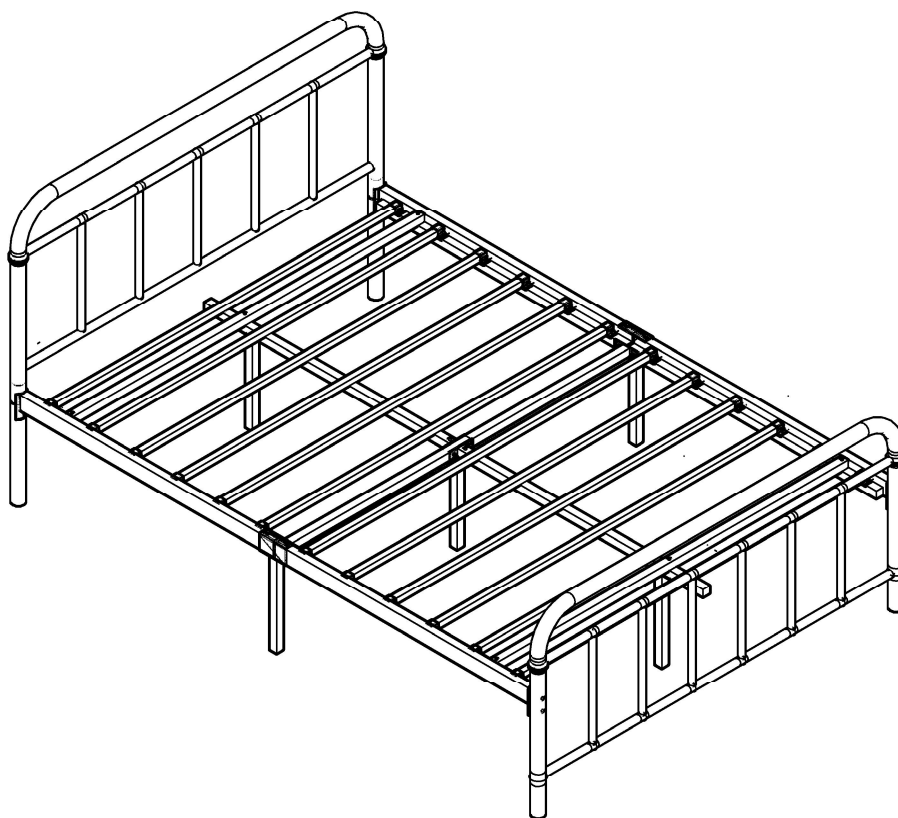
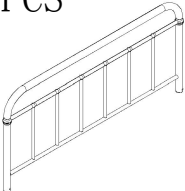
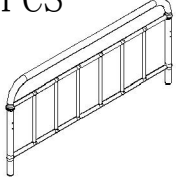

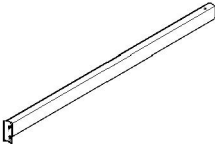
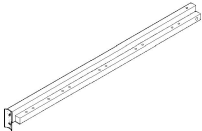
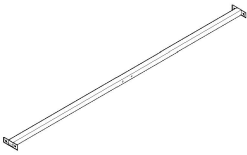
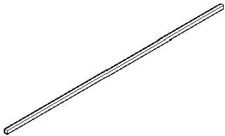
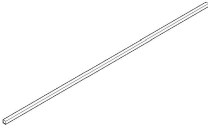
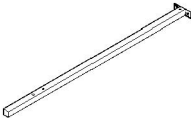
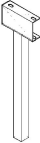

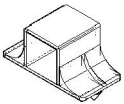
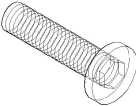
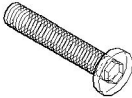
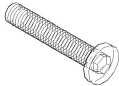
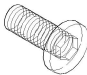


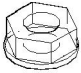
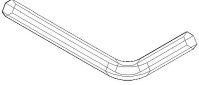
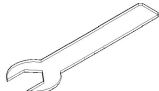


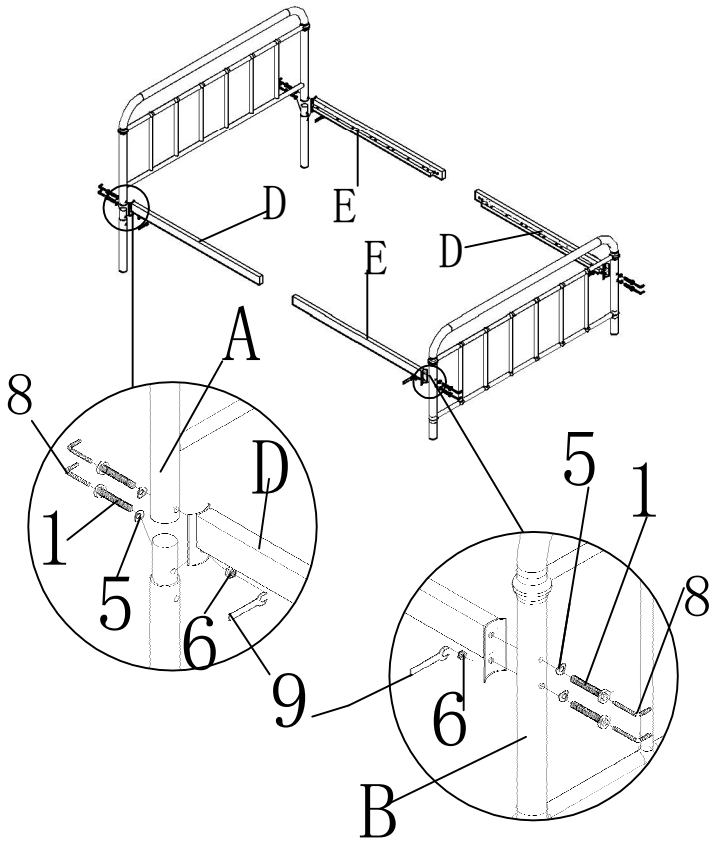
# ASSEMBLY INSTRUCTION



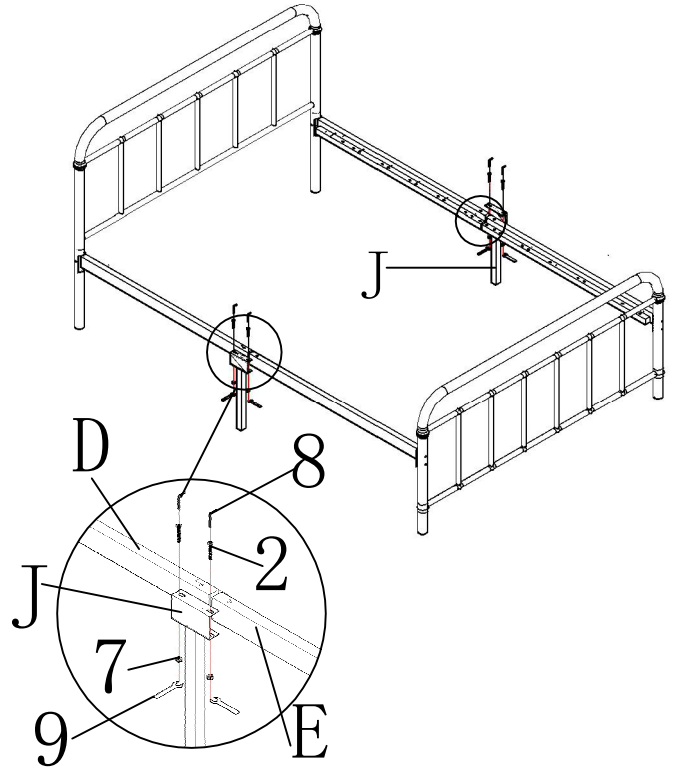
A. 1PCS 	B. 1PCS 	C. 2PCS 	D. 2PCS 	E. 2PCS 
F. 1PCS 	G. 2PCS 	H. 10PCS 	I. 2PCS 	J. 2PCS 
K. 3PCS 	L. 10PCS 	1. M8*50 8PCS 	2. M6*60 8PCS 	3. M6*40 6PCS 
4. M6*16 4PCS 	5. M8 8PCS 	6. M8 4PCS 	7. M6 16PCS 	8. 
9. 				

# ASSEMBLY INSTRUCTION

1

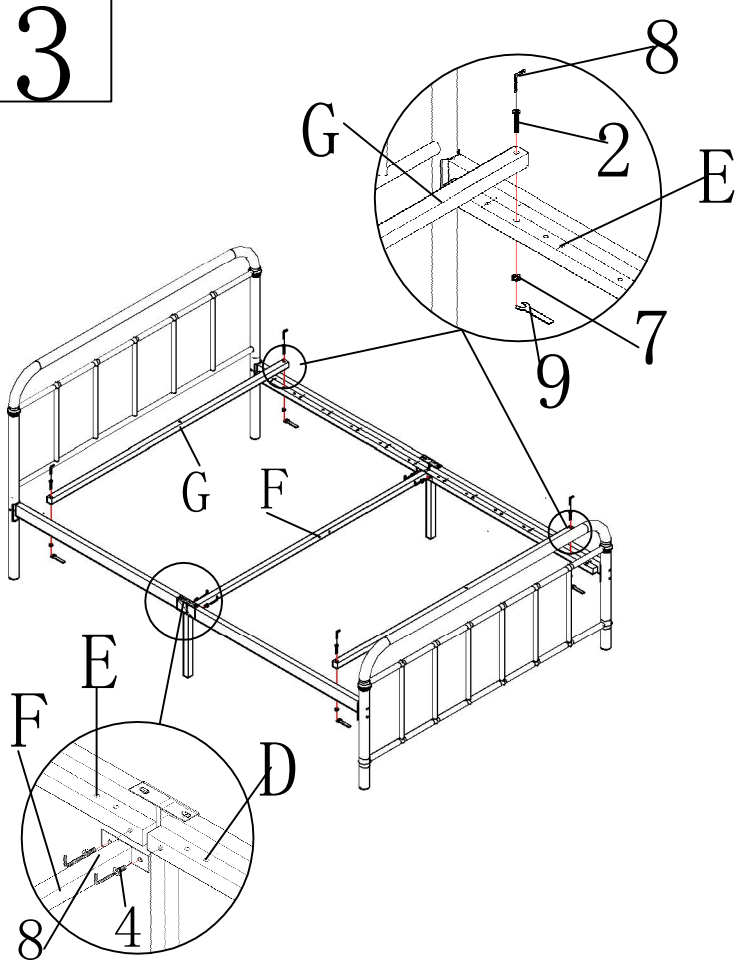


2

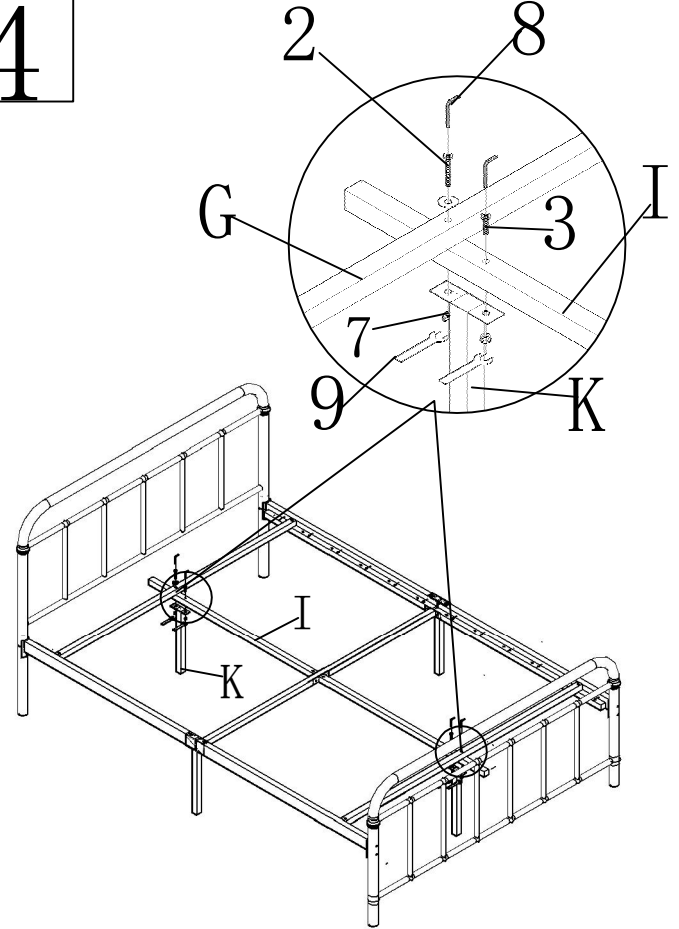


# ASSEMBLY INSTRUCTION

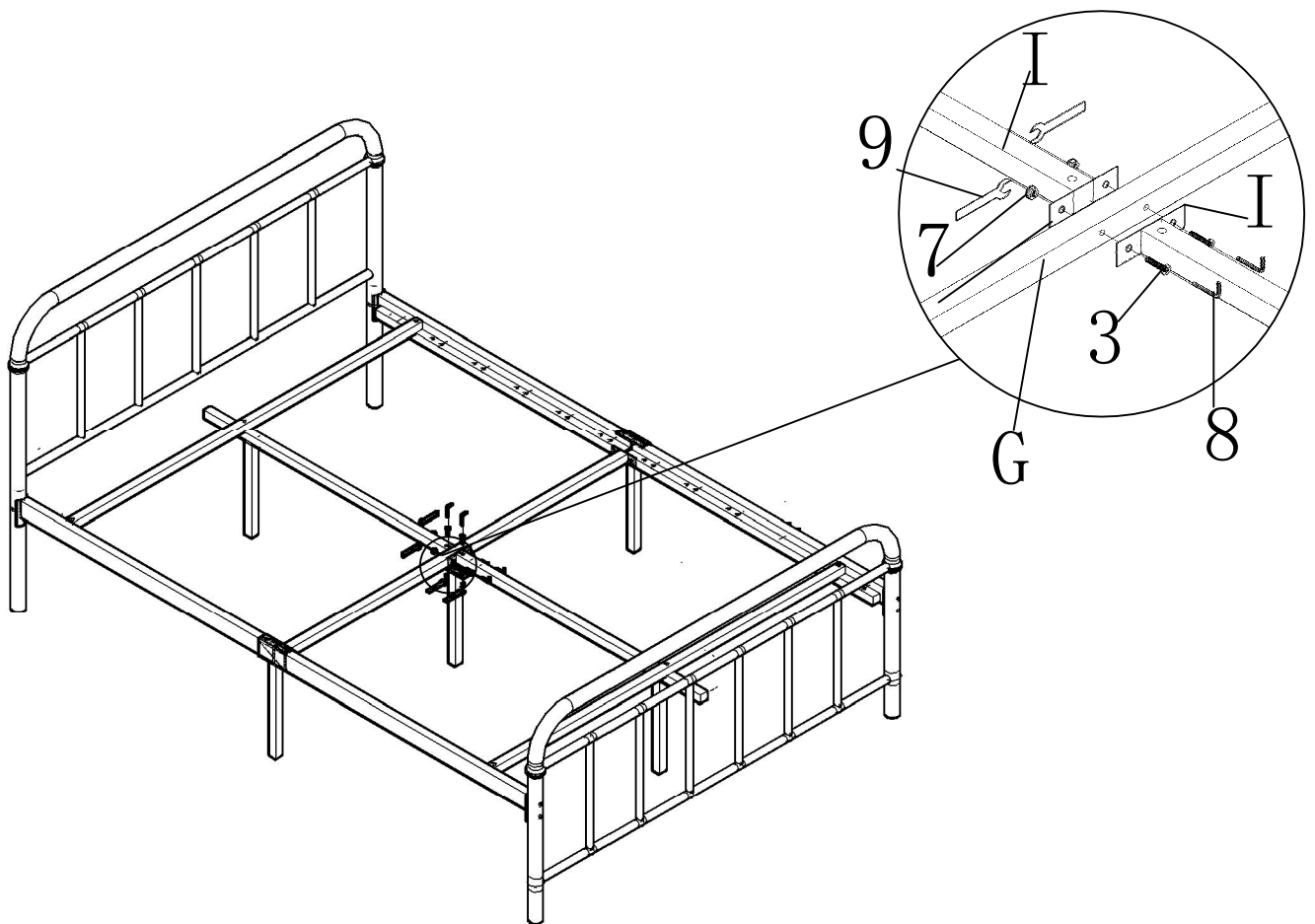
3



4

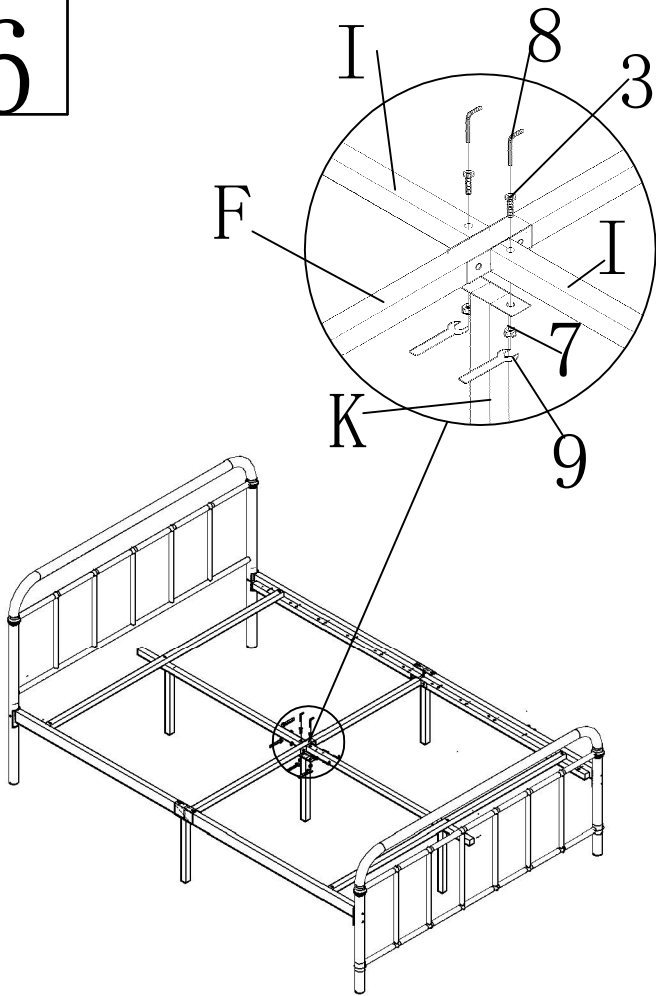


5



# ASSEMBLY INSTRUCTION

6



7

