

LIBERTY FURNITURE

ASSEMBLY INSTRUCTION

DESCRIPTION Console Swivel Stool

Thank you for purchasing this quality product. Be sure to check all packing material carefully for small parts which may have come loose inside the carton during shipment. Identify and count all parts and compare with the parts list below:

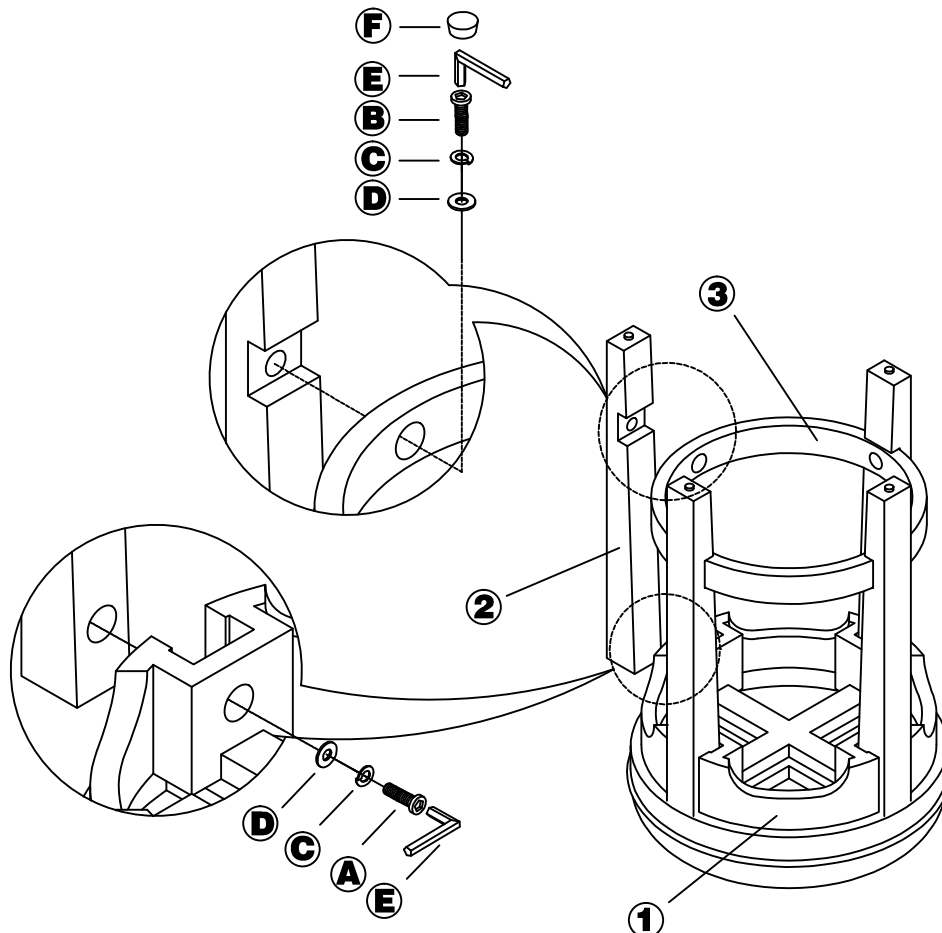


HARDWARE LIST

NO.	SKETCH	HARDWARE	QTY
A		Bolt 5/16" x 1-1/2"	4 pcs
B		Bolt 5/16" x 1"	4 pcs
C		Spring Washer 5/16"	8 pcs
D		Flat Washer 5/16" x 16mm	8 pcs
E		Allen Key 5mm	1 pc
F		Wood Plug	4 pcs

PARTS LIST

NO.	SKETCH	PART	QTY
①		Seat Cushion	1 pc
②		Leg	4 pcs
③		Bottom Frame	1 pc



NOTE: DO NOT TIGHTEN ALL THE BOLTS UNTIL THEY ARE INSTALLED IN CORRESPONDING HOLES!