

NOTICE

*Please make sure that you have all parts indicated and they are in good condition before you begin assembly of this item. Refer to part list and hardware list below for guidance.

*This item should be assembled on a soft surface to prevent scratching the finish during assembly.

*This item may require periodic tightening.

*If you are having difficulty, our friendly Customer Care team is always here to help. Please email customersupport@safavieh.com

PREPARATION

*Before beginning assembly of product, make sure all parts are present. Compare parts with part contents list and hardware contents list.

*If any part is missing or damaged, do not attempt to assemble the product.

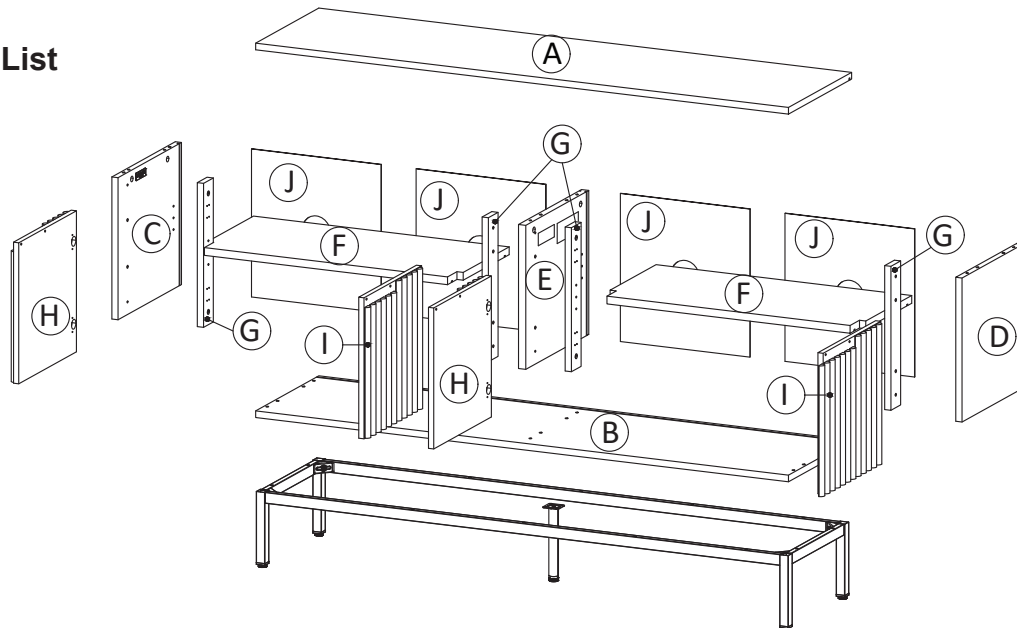
*Estimated Assembly Time: 60 minutes.

*Tools Required for Assembly (included): Allen Key

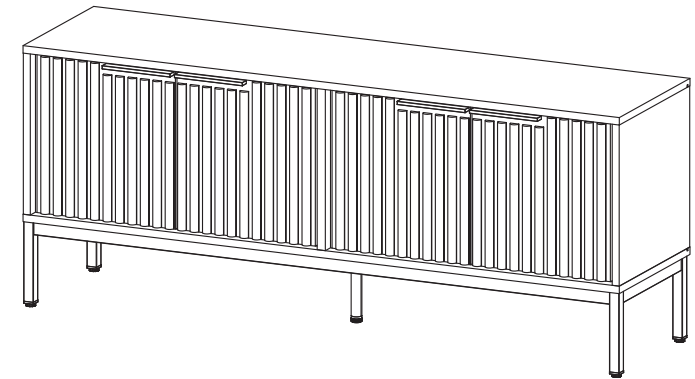
CARE AND MAINTENANCE

Always use felt pads under all articles to prevent discoloration or softening of the lacquer. Plastic and rubber bases on items can discolor wood. Wipe up spills immediately and avoid common hazards such as hot dishes, harsh solvents and abrasives. Cleaning should be done with a soft lint free cotton cloth dampened with water or furniture polish. On highly used surfaces we recommend applying a quality paste wax which should be used on a regular basis to provide additional protection from scratches and spills. How often you apply the wax depends on how much wear the furniture receives.

Part List



Product Dimensions: 60"Wx16"Dx25"H



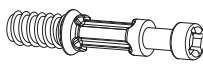
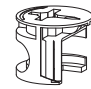

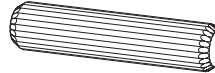
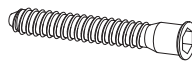
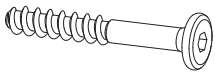




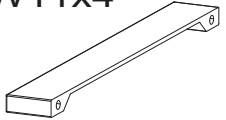




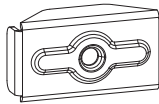
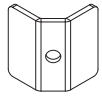
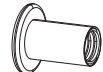
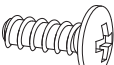
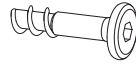

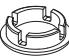



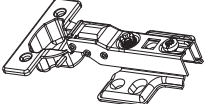

⚠ WARNING

This product is intended for use with a
FLAT SCREEN TV ONLY
Maximum Screen Size: 65 inches
Weight Limit: 88 lbs
Shelf Load Limit: 35 lbs
Drawer Load Limit: - lbs
Use with heavier televisions may result
in instability causing tip over resulting in
death or Serious injury.

⚠ WARNING

Death or serious injury may occur
when children climb on audio
and/or video equipment furniture.
A remote control or toys placed on
the furnishing may encourage a
child to climb on the furnishing and
as a result the furnishing may tip
over on the child.

Hardware List

<p>HW1x6</p>  <p>Ø 6 x 35 mm</p>	<p>HW2x6</p>  <p>Ø 15 mm</p>	<p>HW3x16</p>  <p>Ø 8 x 30 mm</p>	<p>HW4x2</p>  <p>Ø 8 x 50 mm</p>	<p>HW5x6</p>  <p>M 7 x 50 mm</p>
<p>HW6x14</p>  <p>M 6.4 X 45 mm</p>	<p>HW7x6</p>  <p>M 6 x 40 mm</p>	<p>HW8x2</p>  <p>L 4</p>	<p>HW9x16</p>  <p>M 3.5 X 15.5 mm</p>	<p>HW10x16</p> 
<p>HW11x4</p> 	<p>HW12x8</p>  <p>M 4 x 22 mm</p>	<p>HW13x2</p> 	<p>HW14x2</p> 	<p>HW15x4</p> 
<p>HW16x4</p> 	<p>HW17x4</p> 	<p>HW18x2</p> 	<p>HW19x52</p>  <p>M 4.5 x 12.5 mm</p>	<p>HW20x4</p>  <p>M 6.4 x 25 mm</p>
<p>HW21x2</p>  <p>Ø 15 mm</p>	<p>HW22x9</p>  <p>Ø 15 mm</p>	<p>HW23x4</p> 	<p>HW24x8</p> 	<p>HW25x2</p> 
<p>HW HS26Bx8</p> 	<p>HW LM20A1x1</p> 			

Part List & HW For Multi-Box Items

Piece	Description	Qty
A	Top Board	1
B	Bottom Board	1
C	Side Board Left	1
D	Side Board Right	1
E	Center Board	1
F	Adjustable Shelf	2
G	Support Board	4
H	Door Left	2
I	Door Right	2
J	Back Board	4

Piece	Description	Qty
HW1	Cambolt	6
HW2	CamLock	6
HW3	Dowel Small	16
HW4	Dowel Big	2
HW5	Screw M 7 x 50 mm	6
HW6	Screw M 6.4 x 45 mm	14
HW7	Screw M 6 x 40 mm	6
HW8	Allen Key	2
HW9	Screw M 3.5 x 15.5 mm	16
HW10	Wedge	16
HW11	Handle	4
HW12	Screw M 4 x 22 mm	8
HW13	Support Metal Leg 1	2
HW14	Support Metal Leg 2	2
HW15	Metal Square Leg	4
HW16	Corner Brace	4
HW17	Support Corner Brace	4
HW18	Hat Nut	2
HW19	Screw M 4.5 x 12.5 mm	52
HW20	Screw M 6.4 x 25 mm	4
HW21	Screw Cap	2
HW22	Screw Cap	9
HW23	Bumper	4
HW24	Shelf Pin	8
HW25	List Joint	2
HW HS26B	Hinge	8
HWLM20A1	Center Leg	1

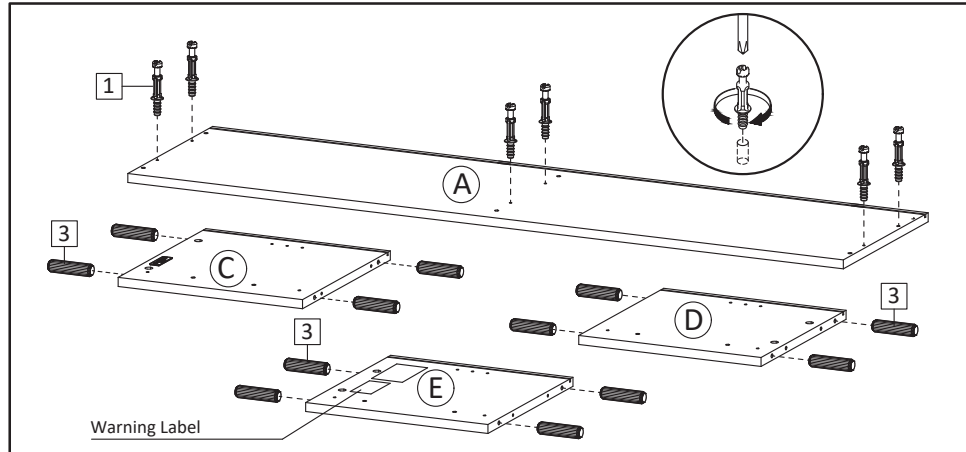
PREPARATION

*Before beginning assembly of product, make sure all parts are present. Compare parts with part contents list and hardware contents list.

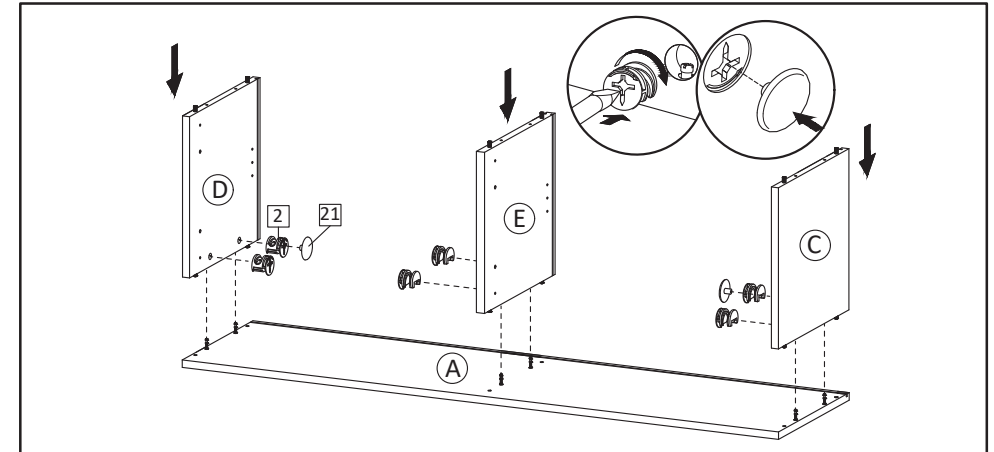
*If any part is missing or damaged, do not attempt to assemble the product.

*Estimated Assembly Time: 60 minutes.

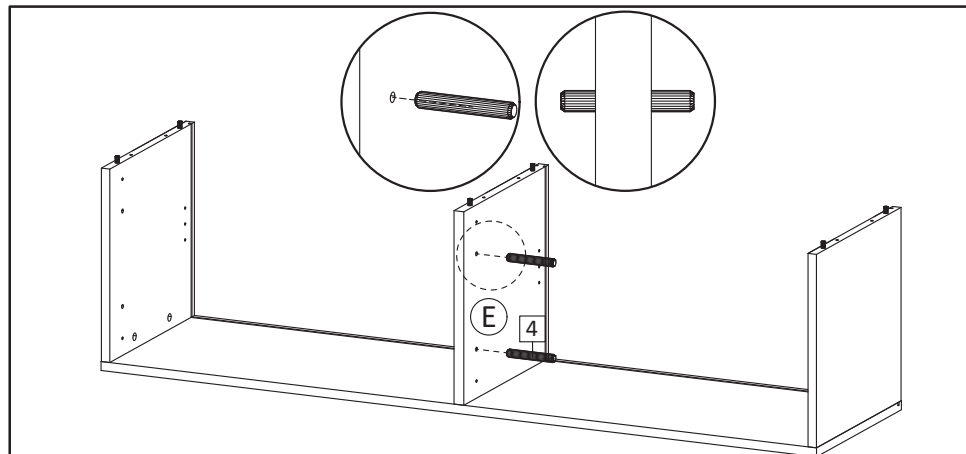
*Tools Required for Assembly (included): Allen Key



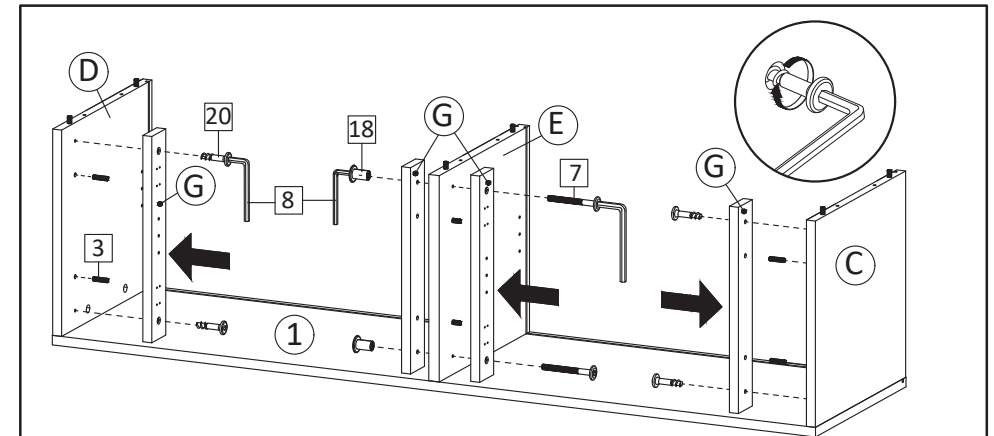
STEP1: Insert Cambolt (HW1) into Top Board (A), and Insert Dowel Small (HW3) into Side Board Left (C), Side Board Right (D) and Center Board (E) into position as the above image.



STEP2: Attach Side Board Left (C), Side Board Right (D) and Center Board (E) into Top Board (A). Secure with Camlock (HW2) and tighten it using screwdriver. Put the Screw Cap (HW21) over the tightened camlock.



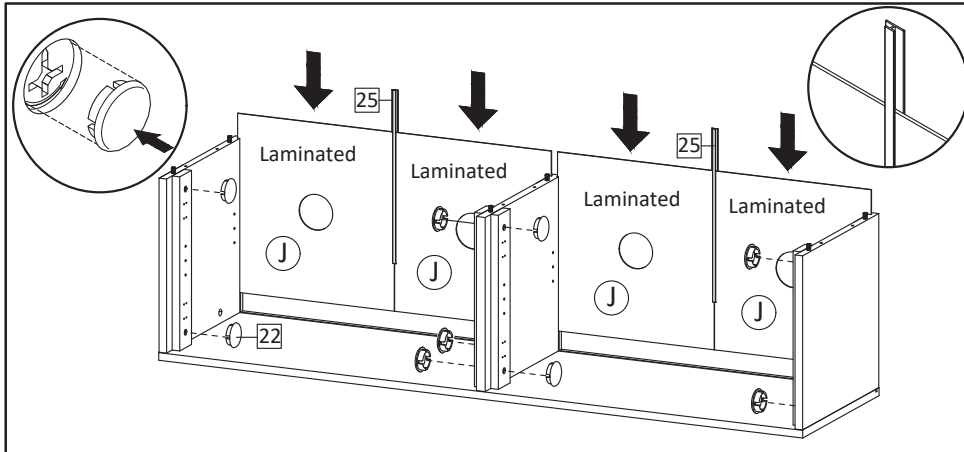
STEP3: Insert Dowel Big (4) into Center Board (E) position as the above image.



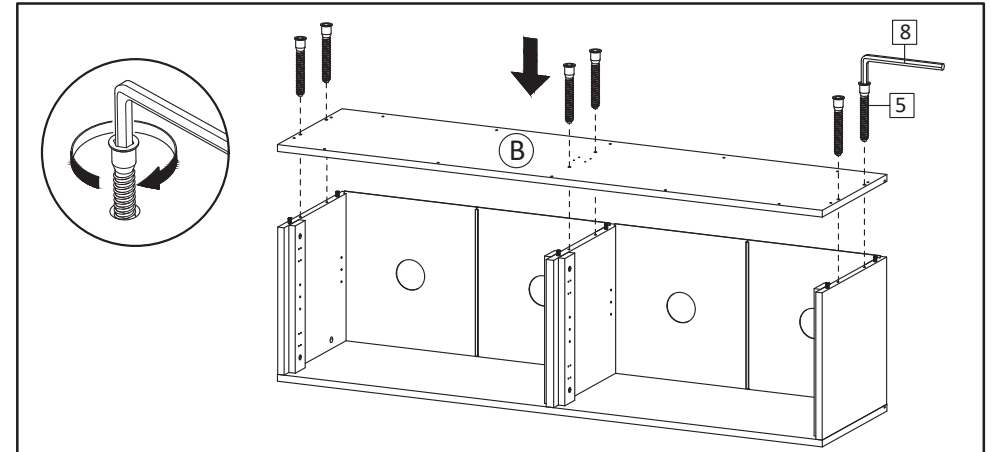
STEP4: Attach Support Board (G) into Center Board (E) on both side and Secure with Screw M6x40mm (HW7) and Hat Nut (HW18). Hold still the Hat Nut (HW18) using Allen Key (HW8) while tighten Screw (HW7) using Allen Key. Insert Dowel Small (HW3) into Side Board Left (C) Side Board Right (D), then attach Support Board (G) into the Side Boards. Secure with Screw M6.4x25mm (HW20) using Allen Key (HW8).

PREPARATION

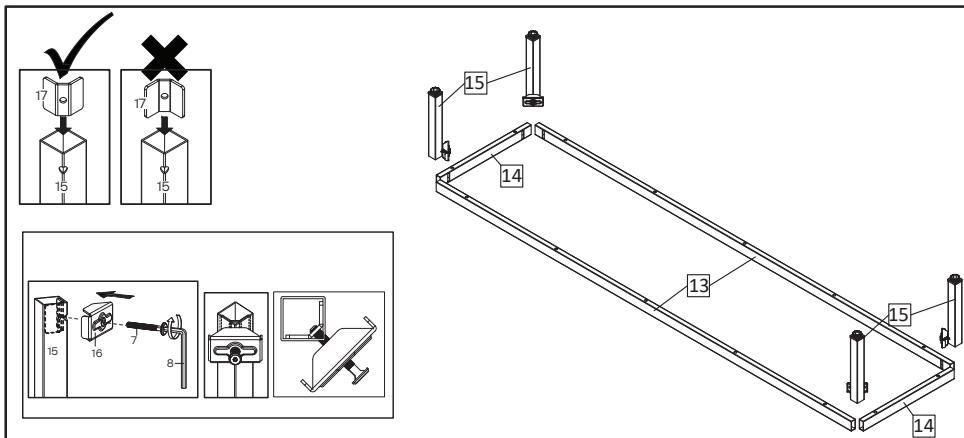
- *Before beginning assembly of product, make sure all parts are present. Compare parts with part contents list and hardware contents list.
- *If any part is missing or damaged, do not attempt to assemble the product.
- *Estimated Assembly Time: 60 minutes.
- *Tools Required for Assembly (included): Allen Key



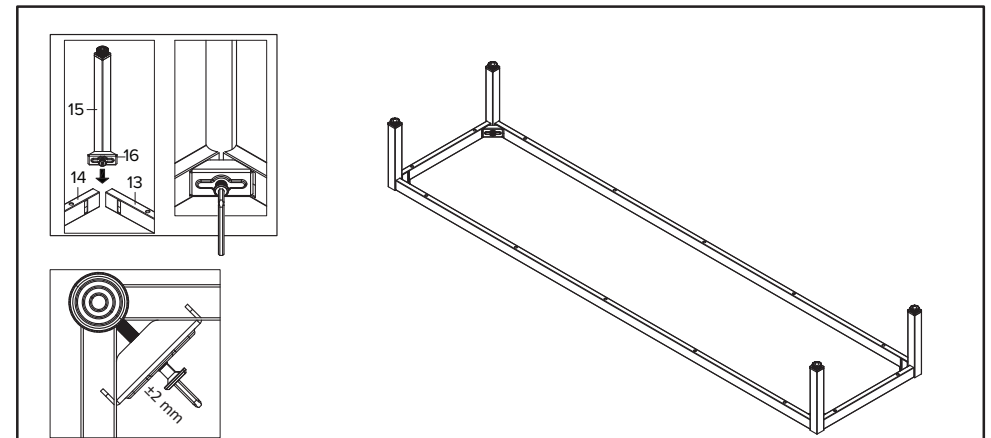
STEP5: Attach Back Board (J) and Insert List Joint (HW25) in between. Insert Screw Cap (HW22) position as the above image.



STEP6: Continue by attaching Bottom Board (B) into the assembled components from step 5. secure with Screw M7x50mm (HW5) using Allen Key (HW8).



STEP7: Insert Support Corner Brace (HW17) and place it inside Leg (HW15) tube. Insert Screw (HW7) into the hole of Corner Brace (HW16). Screw in slightly just enough to grip Leg (HW15) with Support Corner Brace (HW17) inside. Do not tighten. Arrange Support Metal Leg 1 (HW13) & Support Metal Leg 2 (HW14) on the floor as per image.



STEP8: Install the prepared Leg (HW15). Ensure the Corner Brace (HW16) hooks onto the hole of Support Metal Leg (HW13) and (HW14). Screw in just enough to grip the support using Allen Key (HW8). Do not fully tighten. Repeat for the other legs

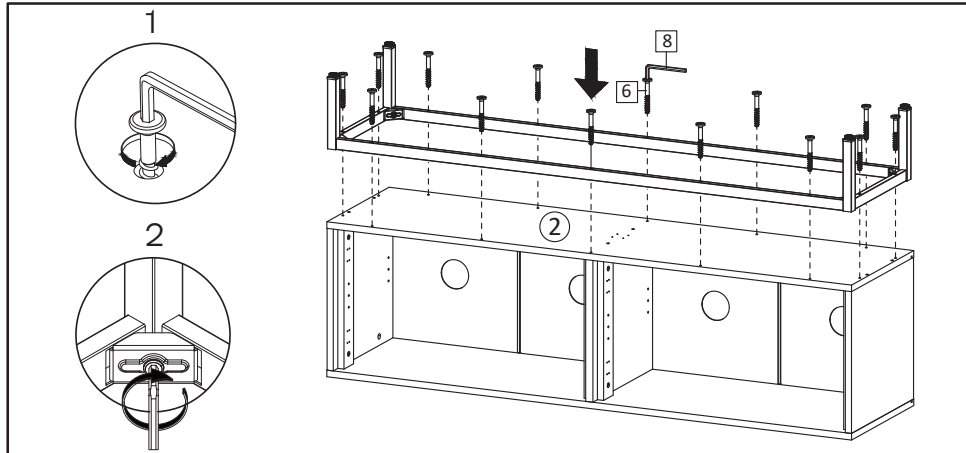
PREPARATION

*Before beginning assembly of product, make sure all parts are present. Compare parts with part contents list and hardware contents list.

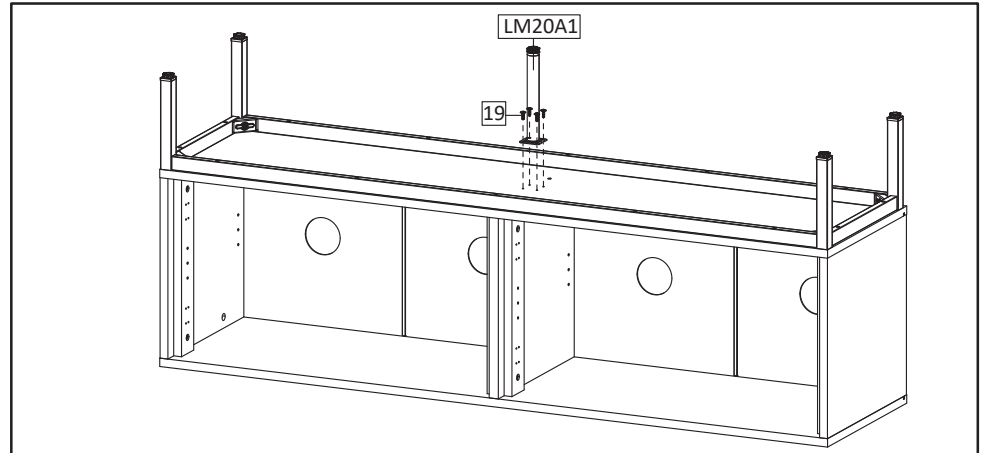
*If any part is missing or damaged, do not attempt to assemble the product.

*Estimated Assembly Time: 60 minutes.

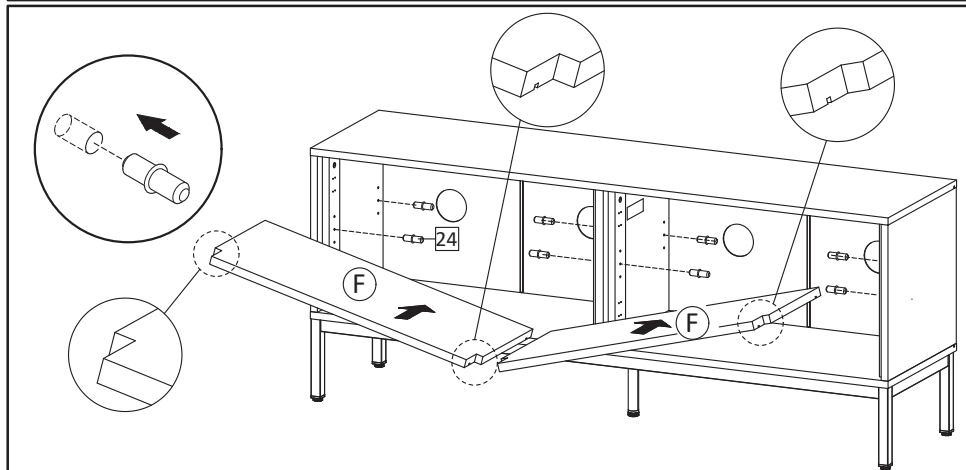
*Tools Required for Assembly (included): Allen Key



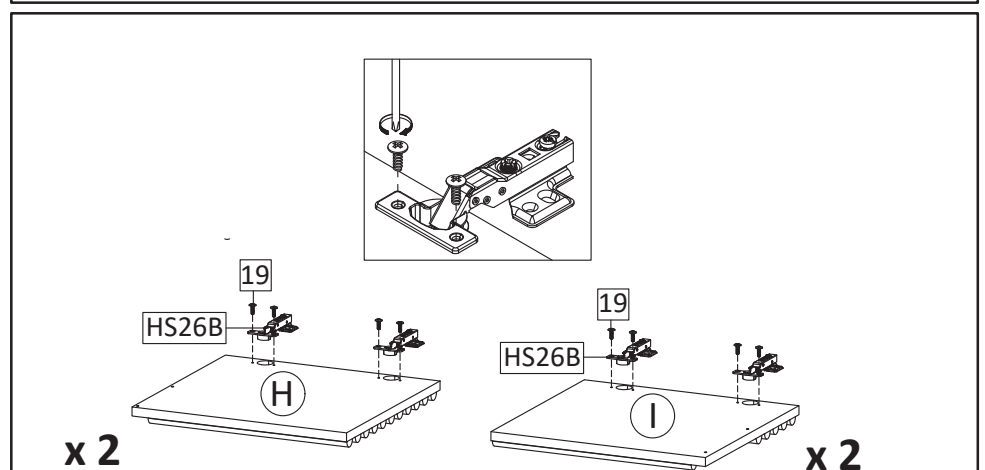
STEP9: Install assembled leg unit from Step 8 onto main assembled unit by inserting Screw (HW6). Tighten with Allen Key (HW8). Then tighten all the Screw M6.4x45mm each corner brace of the assembled leg.



STEP10: Insert Center Leg (HW LM20A1) secure with Screw M4.5x12.5mm (HW19) and tighten it using screwdriver.



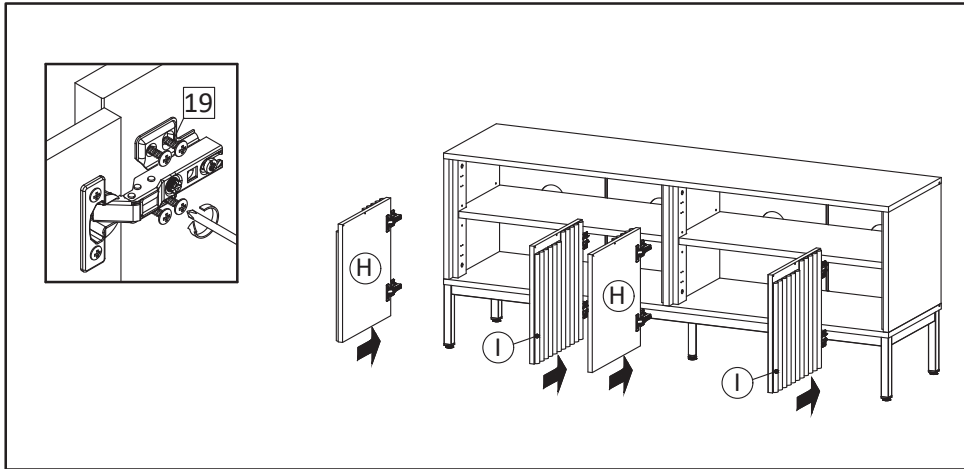
STEP11: After bringing the product upright, insert Shelf Pin (HW24) into the holes on Sideboard & Center board, on the desired level. Then place the Adjustable Shelf (F) to sit on the shelf pins, the shelf needs to be tilted like the image when being put into the cabinet.



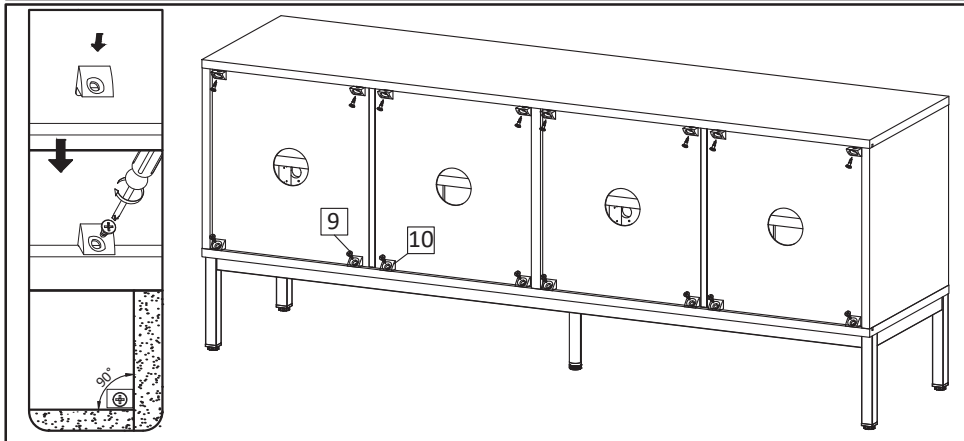
STEP12: Insert Hinge (HW HS26B) into Door Left (H) and Door Right (I). Secure with Screw M4.5x12.5mm (HW19).

PREPARATION

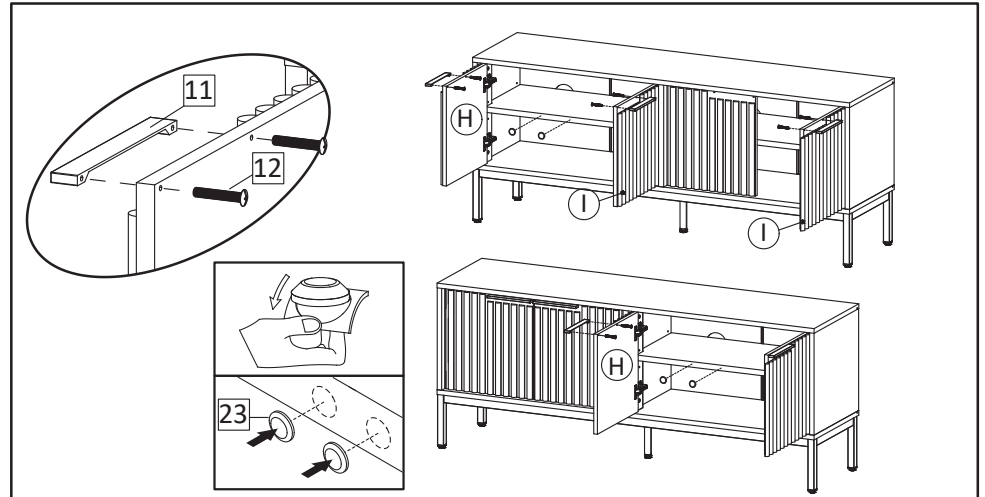
- *Before beginning assembly of product, make sure all parts are present. Compare parts with part contents list and hardware contents list.
- *If any part is missing or damaged, do not attempt to assemble the product.
- *Estimated Assembly Time: 60 minutes.
- *Tools Required for Assembly (included): Allen Key



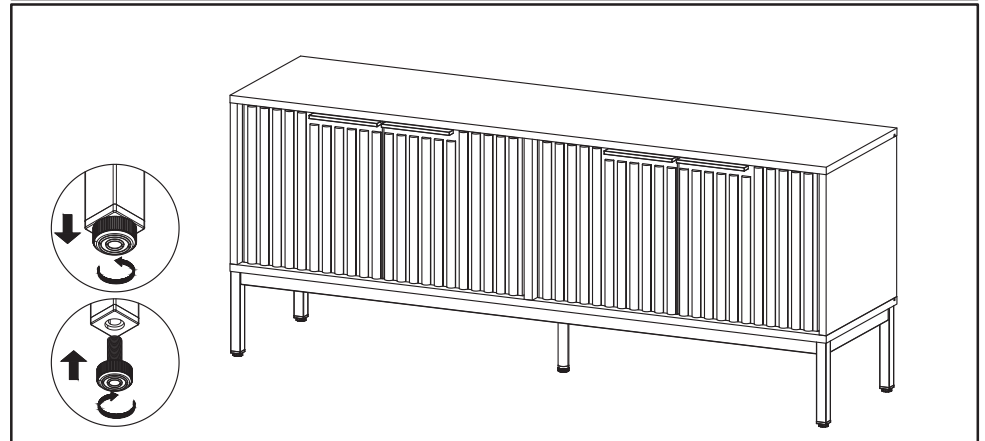
STEP13: Install Door Left (H) and Door Right (I) into Side Boards and Center Board Please review above images carefully. Secure with Screw M4.5x12.5mm (HW19). Please refer to the last page for more guide on how to adjust hinges.



STEP15: Use Wedge (HW10), Screw M3.5x15.5mm (HW9) to tighten the back of media stand by using screwdriver. Please align the top board and bottom board in 90° position against the side board, before securing the wedges (HW10).



STEP14: Then Insert Handle (HW11) into Door Left (H) and Door Right (I). Secure with Screw M4x22mm (HW12). Insert Bumper (HW23) into Adjustable Shelf (F) on the front side.



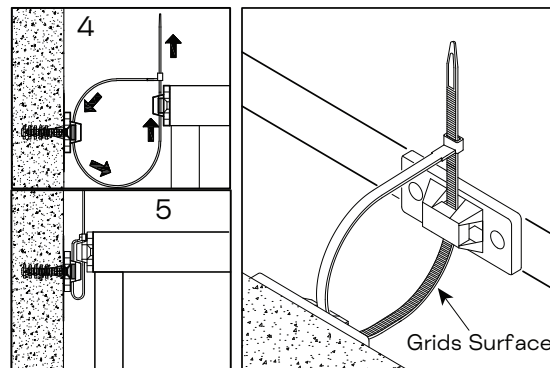
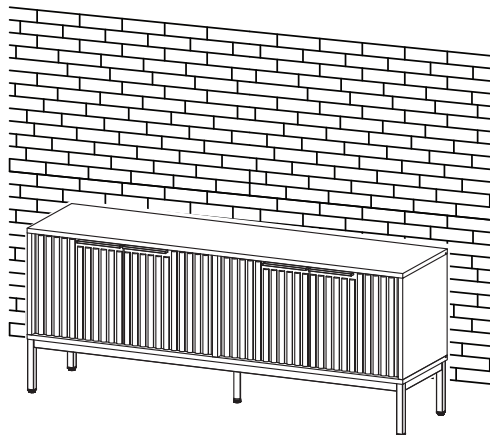
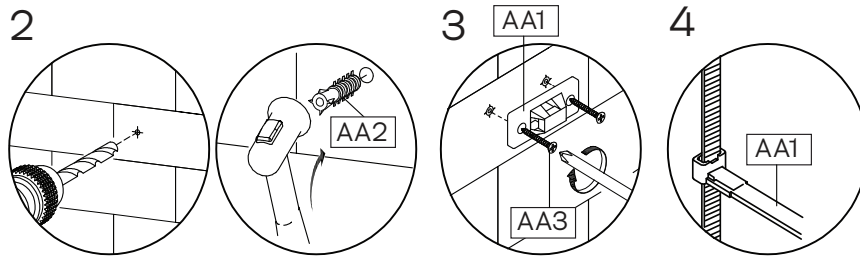
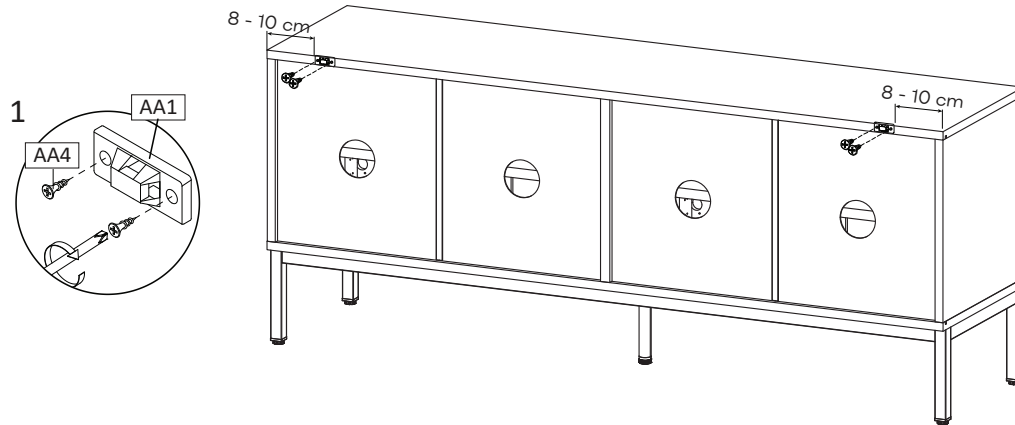
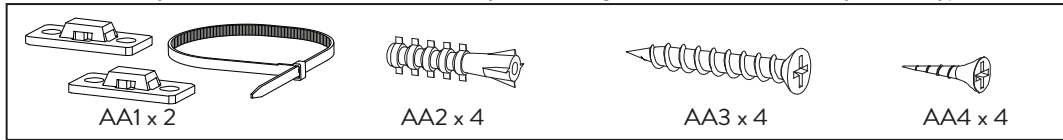
STEP16: Place your furniture on level floor. The legs come with adjustable leveller, adjust it as needed until your furniture sit steady on the floor. Assembly is complete.

TIPPING RESTRAINTS KIT INSTALLATION GUIDANCE

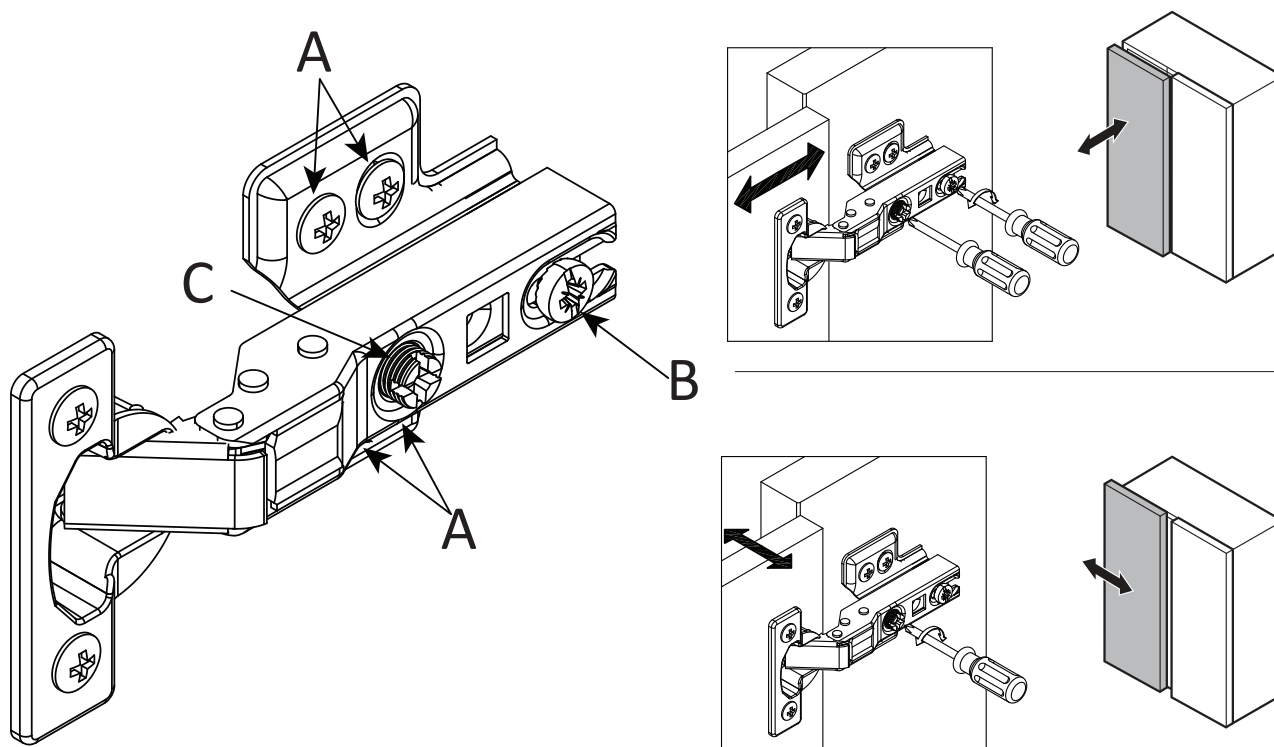
Different wall materials require unique wall fasteners.

The wall plugs (AA2) and screws (AA3) are designed for fixing to concrete walls only.

Please consult your local hardware store to ensure you are using the correct hardware for your wall type.



HOW TO ADJUST HINGES



To adjust depth.

Loosen screw "B" and adjust door, if the door can not be adjusted, please loosen screw "C", then try again. Tighten screw "B" and "C".

To adjust side ways.

Turn screw "C" on BOTH hinges on each door.