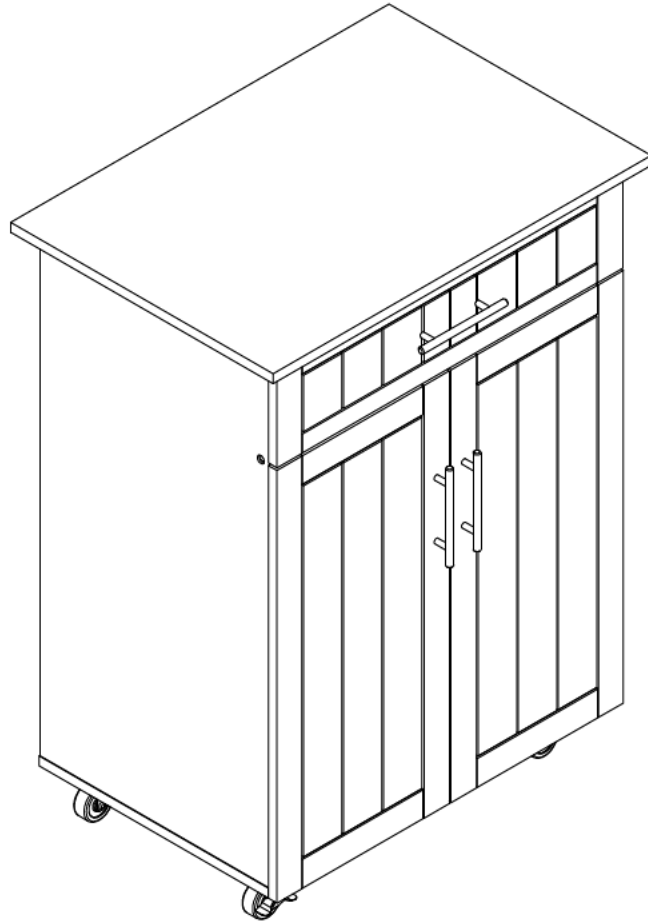
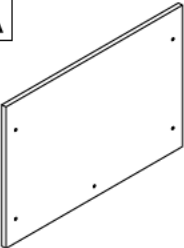
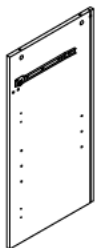

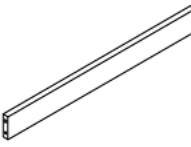
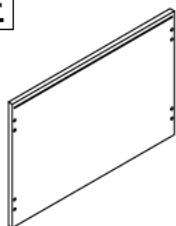
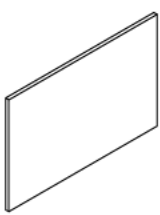

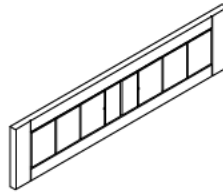
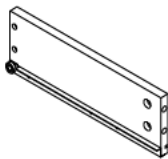
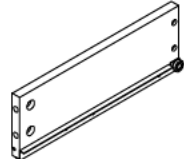
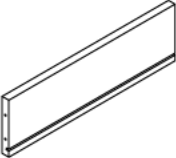
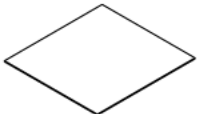


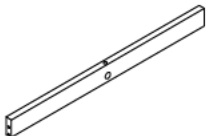














# Kitchen Cart



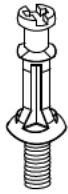
# PART LIST

<b>A</b> 	<b>B</b> 	<b>C</b> 	<b>D</b> 	<b>E</b> 
<p>Top Panel 1 PC</p>	<p>Left Panel 1 PC</p>	<p>Right Panel 1 PC</p>	<p>Front Center Rail 1 PC</p>	<p>Bottom Panel 1 PC</p>
<b>F</b> 	<b>G</b> 	<b>H</b> 	<b>I</b> 	<b>J</b> 
<p>Adjustable Shelf 1 PC</p>	<p>Back Panel 2 PCS</p>	<p>Drawer Front Panel 1 PC</p>	<p>Drawer Left Panel 1 PC</p>	<p>Drawer Right Panel 1 PC</p>
<b>K</b> 	<b>L</b> 	<b>M</b> 	<b>N</b> 	<b>O</b> 
<p>Drawer Back Panel 1 PC</p>	<p>Drawer Bottom Panel 1 PC</p>	<p>Left Door 1 PC</p>	<p>Right Door 1 PC</p>	<p>Back Rail 1 PC</p>
<b>P</b>  <p>Back Plastic Strip 1 PC</p>				

# HARDWARE LIST

<p><b>#1</b></p>  <p>Ø7*38mm Screw</p>	<p><b>#2</b></p>  <p>Ø8*30mm Wood Dowel</p>	<p><b>#3</b></p>  <p>Ø3.5*25mm Screw</p>	<p><b>#4</b></p>  <p>Ø6*35mm Cam-bolt</p>	<p><b>#5</b></p>  <p>Ø15*9mm Cam-lock</p>
<p>8 PCS (Extra 2)</p>	<p>6PCS (Extra 2)</p>	<p>4PCS (Extra 1)</p>	<p>9PCS (Extra 2)</p>	<p>9PCS(Extra 2)</p>
<p><b>#6</b></p>  <p>2" Caster With Lock</p>	<p><b>#7</b></p>  <p>2" Caster</p>	<p><b>#8</b></p>  <p>Ø4.5*13mm Screw</p>	<p><b>#9</b></p>  <p>Back Bracket</p>	<p><b>#10</b></p>  <p>Ø3.5*14mm Screw</p>
<p>2 PCS</p>	<p>2 PCS</p>	<p>16 PCS (Extra 2)</p>	<p>4 PCS</p>	<p>28 PCS (Extra 4)</p>
<p><b>#11</b></p>  <p>Ø6.5mm Shelf Holder</p>	<p><b>#12</b></p>  <p>150*32*Ø12mm Handle</p>	<p><b>#13</b></p>  <p>334*60*Ø10mm Towel Bar</p>	<p><b>#14</b></p>  <p>M4*22mm Round Head Bolt</p>	<p><b>#15</b></p>  <p>Ø35mm Hinge</p>
<p>4 PCS</p>	<p>3 PCS</p>	<p>1 PC</p>	<p>6 PCS (Extra 2)</p>	<p>4 PCS</p>
<p><b>#16</b></p>  <p>M5*25mm Bolt</p> <p>2 PCS</p>				

# Instructions For Fastening CAM-BOLT and CAM-LOCK

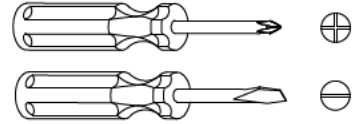


CAM-BOLT

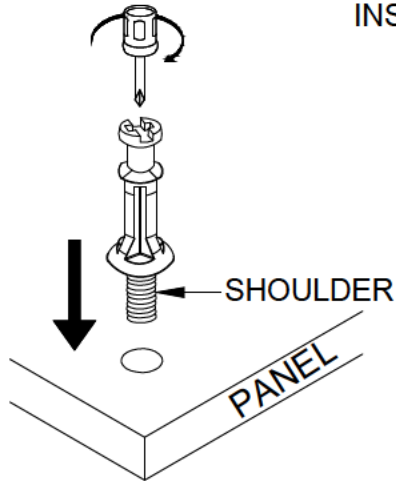


CAM-LOCK

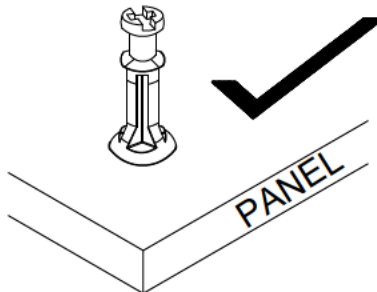
## Tools Required



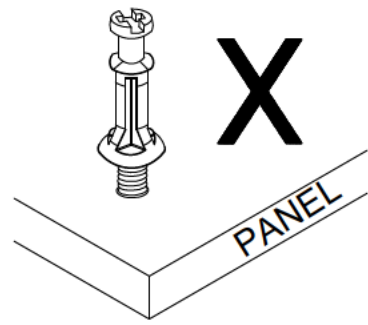
## INSERTING AND TIGHTENING CAM-BOLT



Place Cam-bolt on pre-drilled hole and screw in vertically



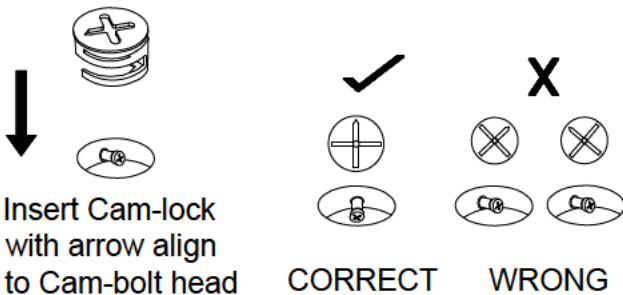
Shoulder is flushed (on the same level) with the panel.



Shoulder is above the panel.

Place Cam-bolt on the designated pre-drilled holes on the panel. Use a Phillips Screwdriver to screw-in Cam-bolt vertically until shoulder is flushed (on the same level) with panel.

## INSERTING CAM-LOCK



Insert Cam-lock with arrow align to Cam-bolt head

CORRECT

WRONG

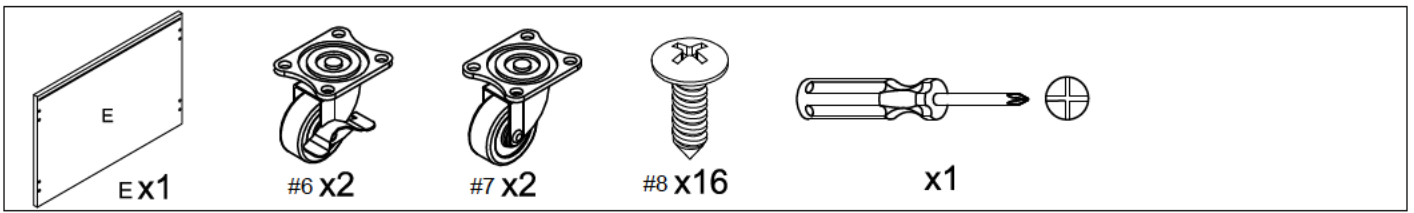
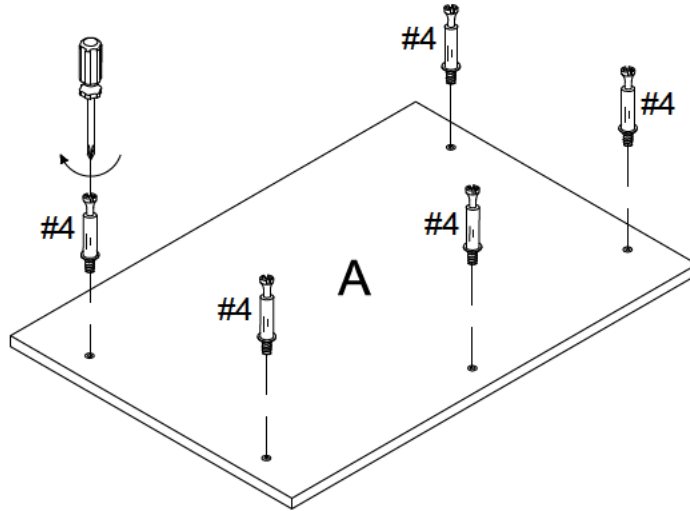
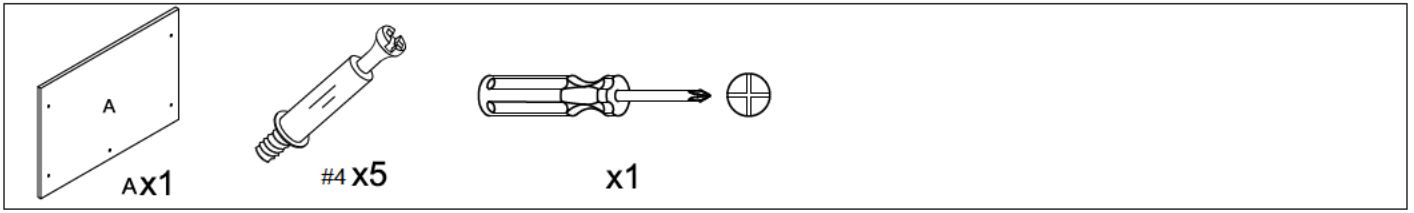
## TIGHTENING CAM-LOCK



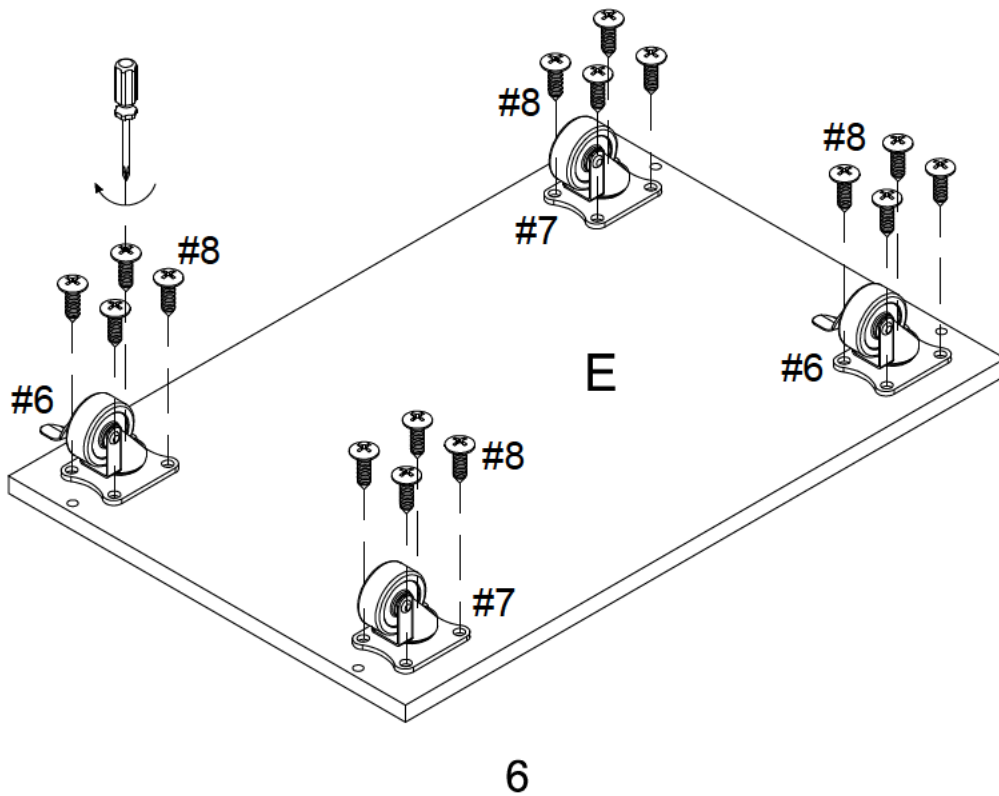
Use a Flat-head Screwdriver to turn Camlock clockwise so it locks onto the head of the Cam-bolt. Turn until it is snug (about 3/4ths of a turn) -- over-tightening could damage Cam-lock or/and Cam-bolt.



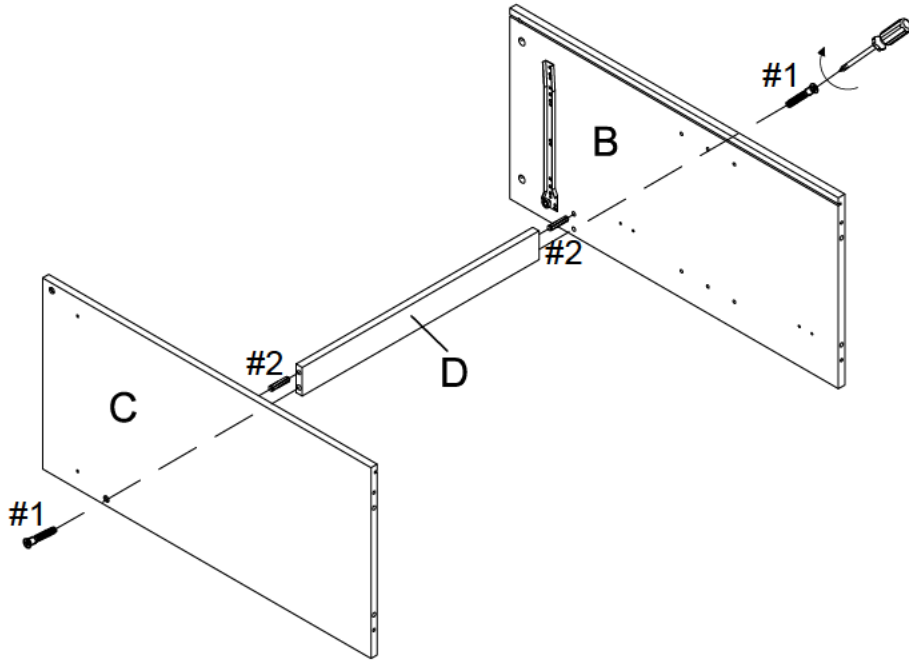
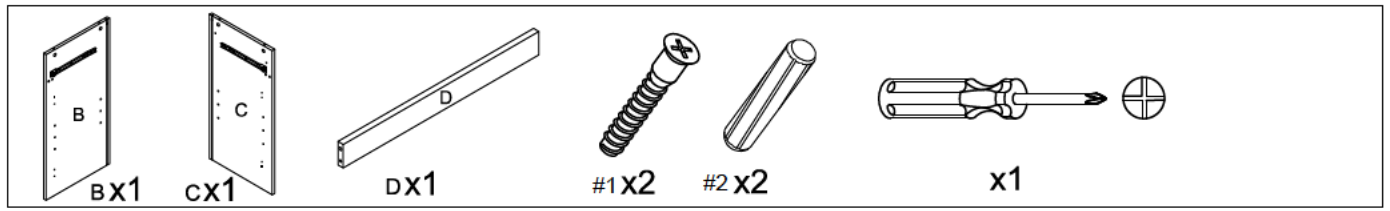
Step 2.



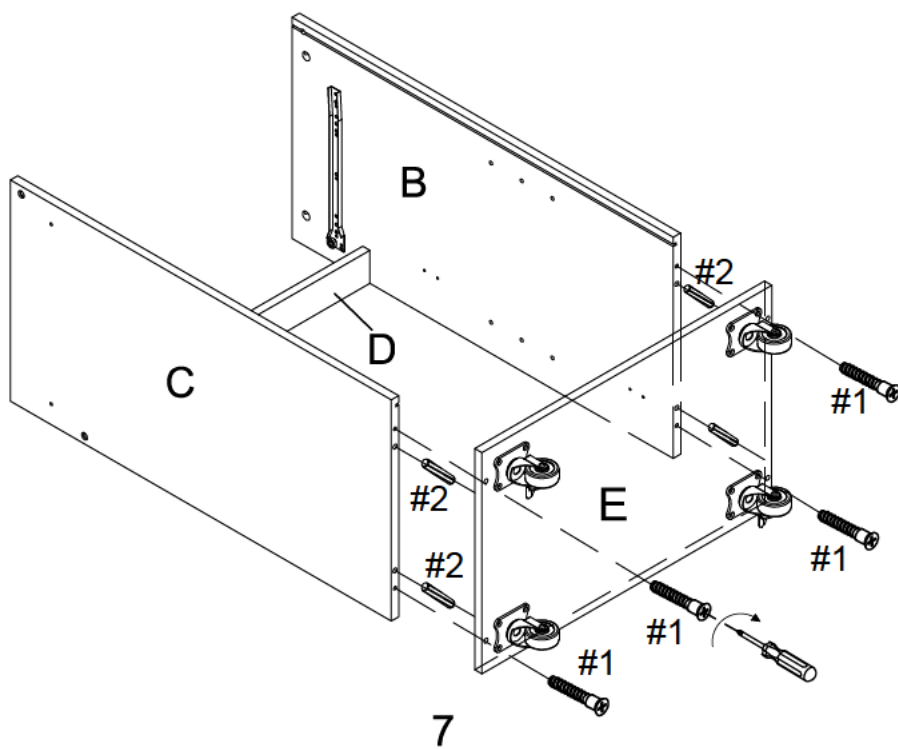
Step 3.



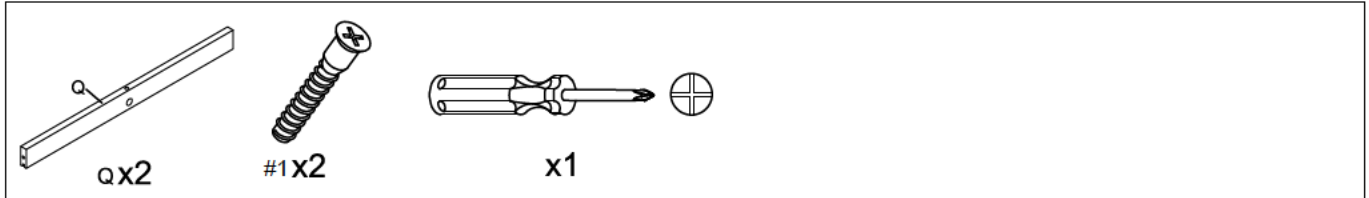
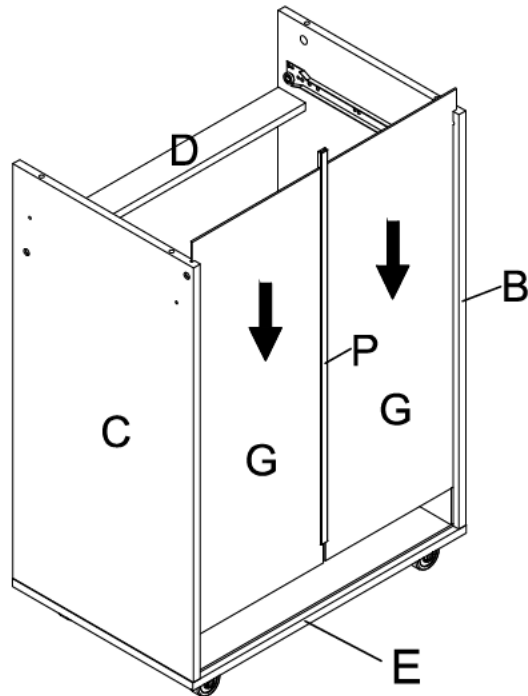
### Step 4.



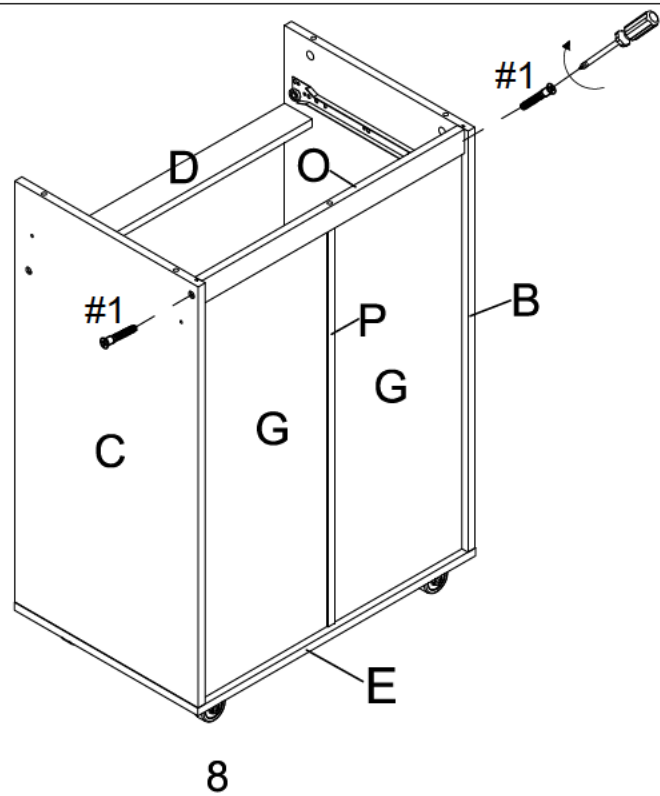
### Step 5.



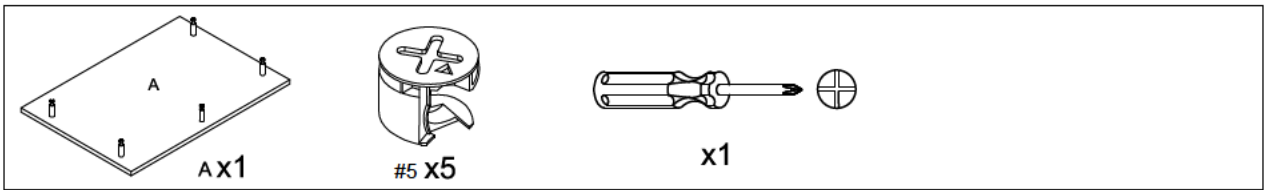
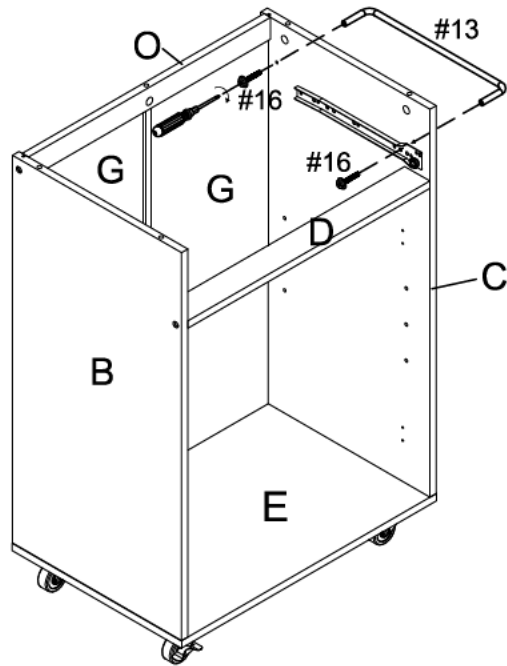
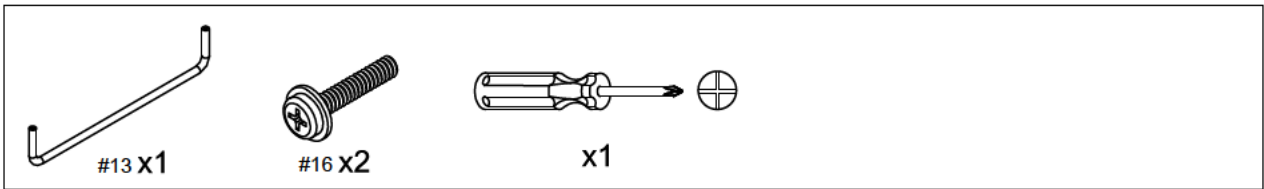
Step 6.



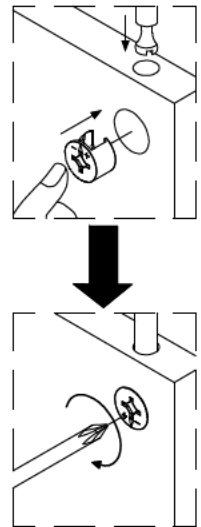
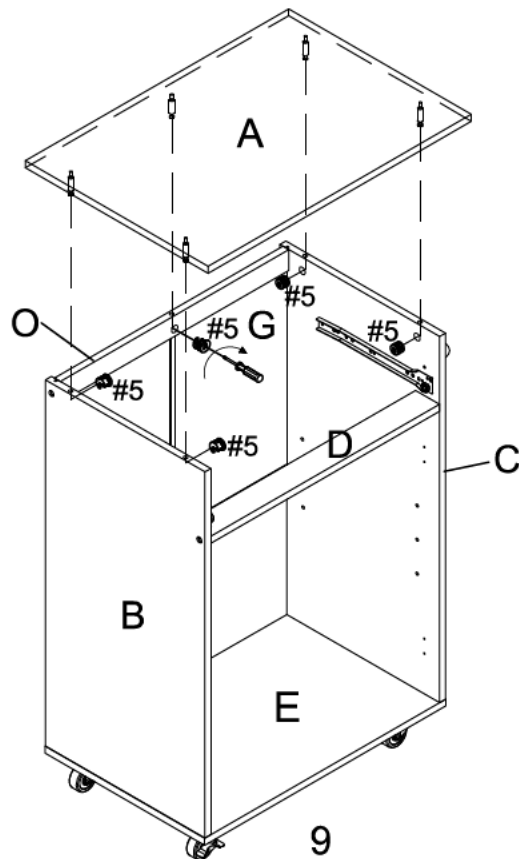
Step 7.



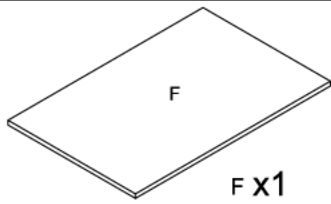
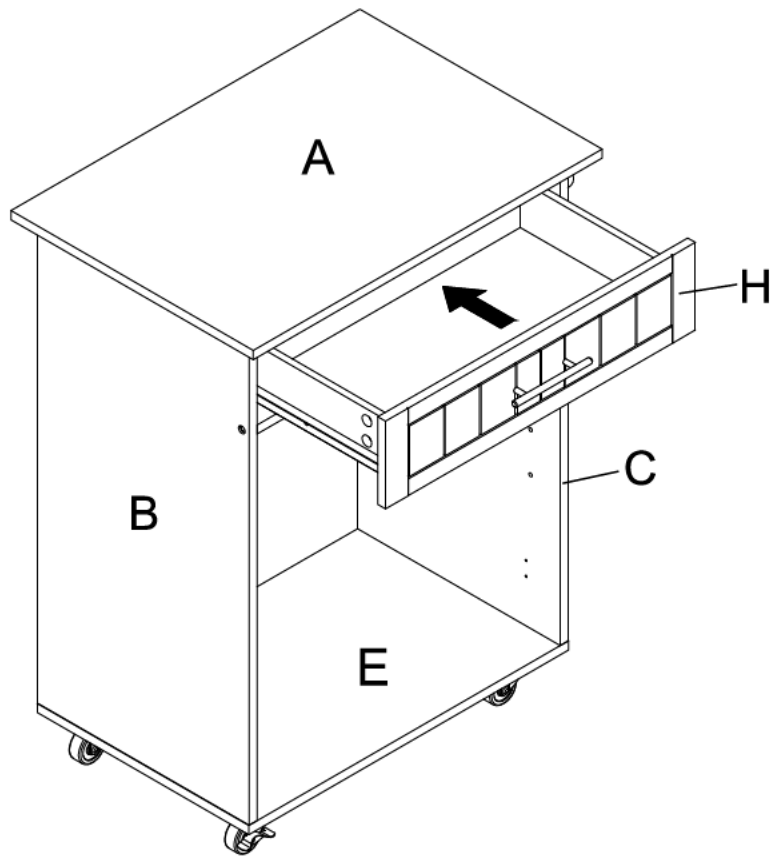
Step 8.



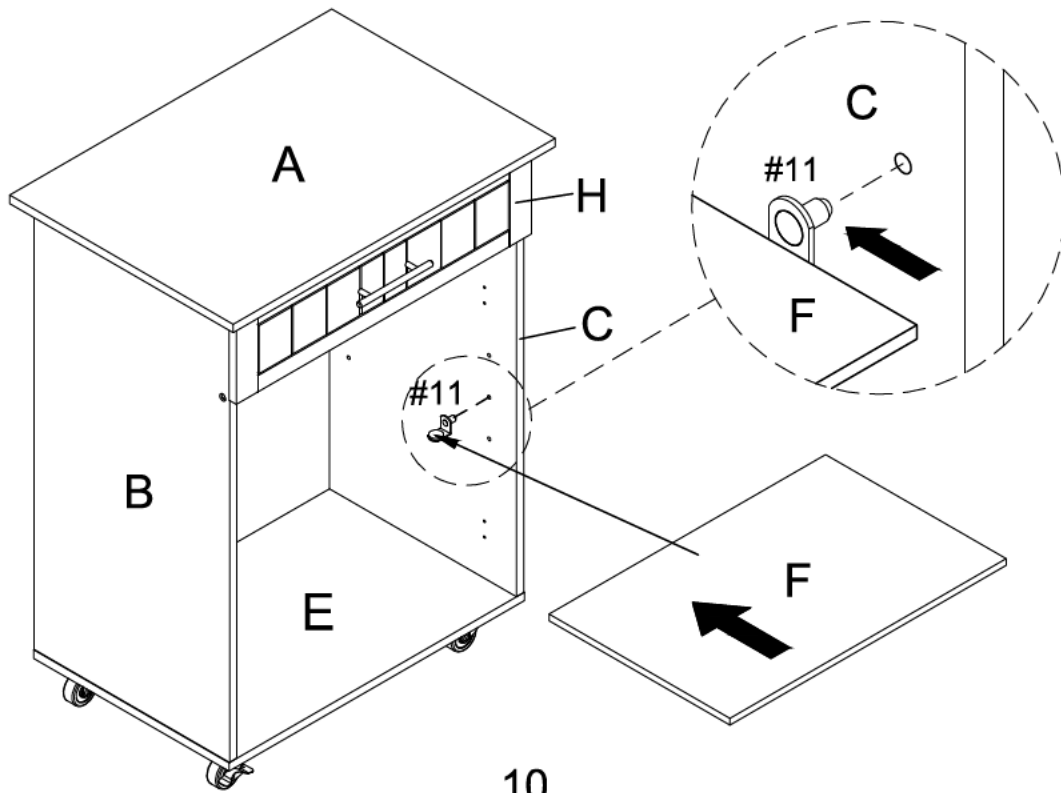
Step 9.



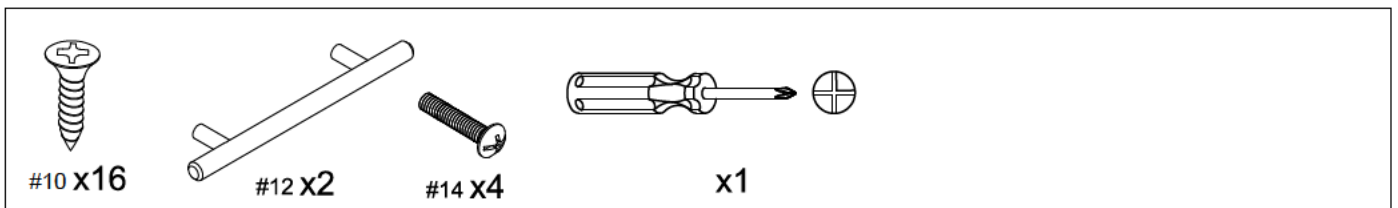
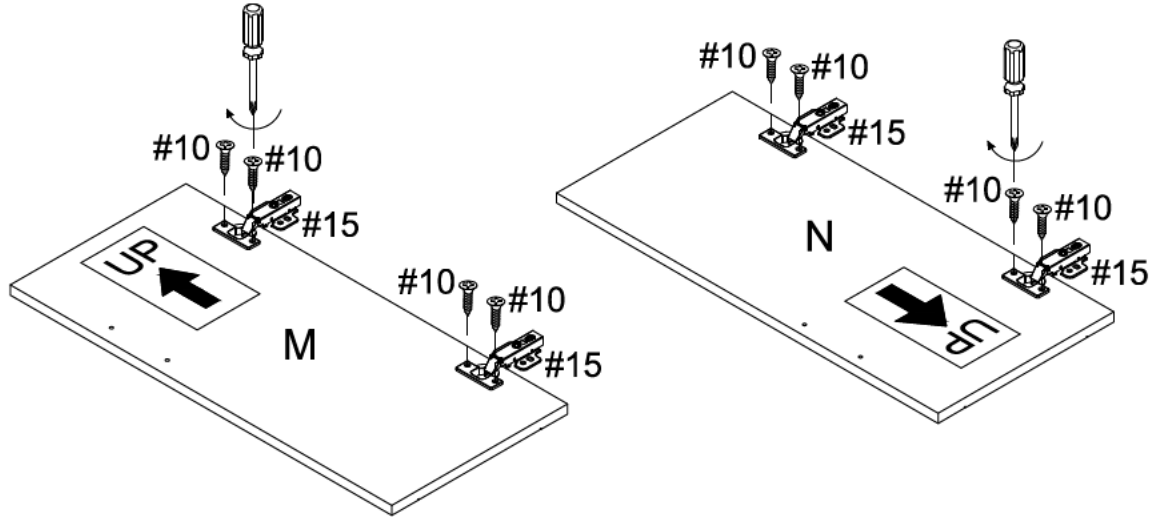
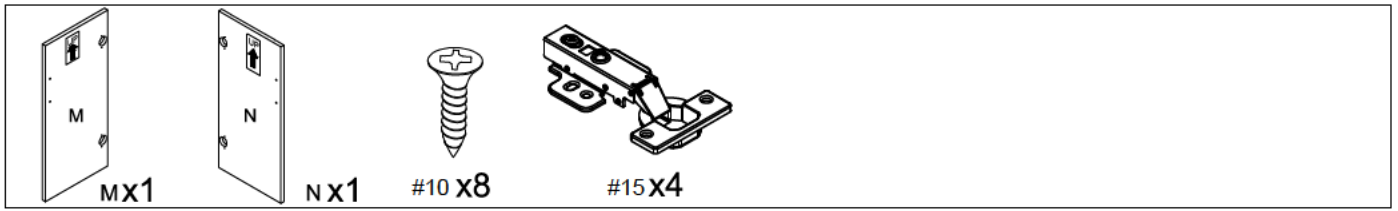
Step 10.



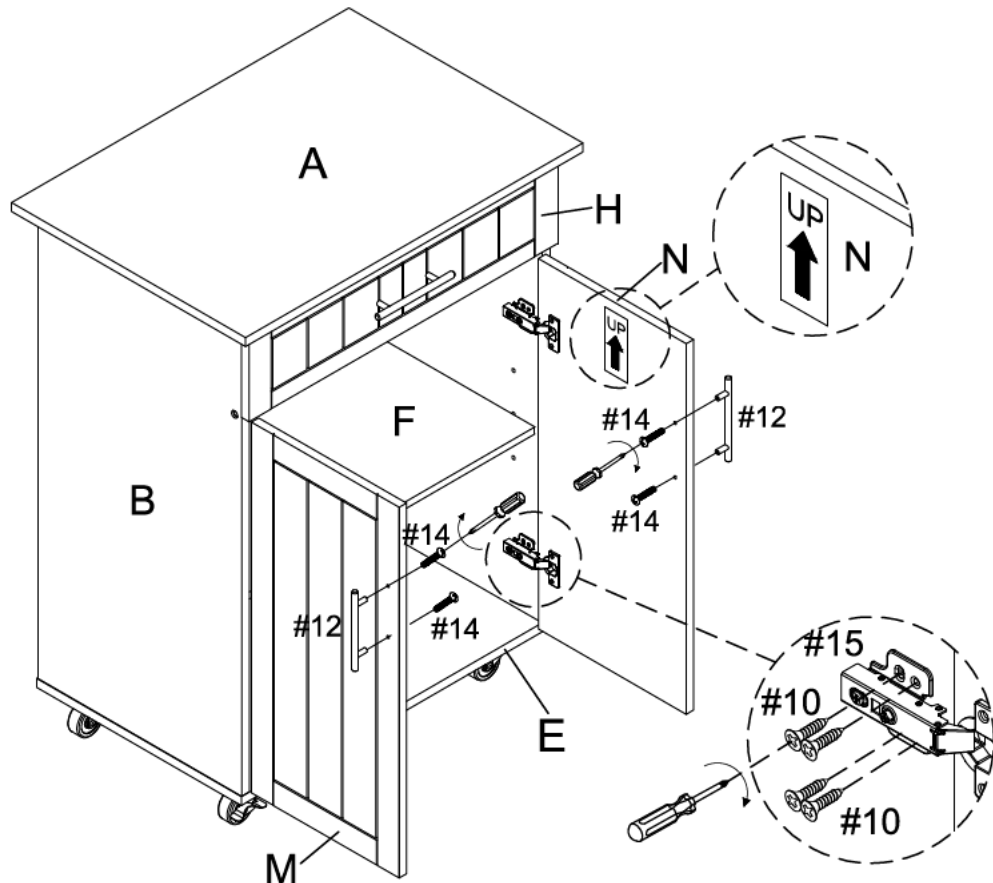
Step 11.



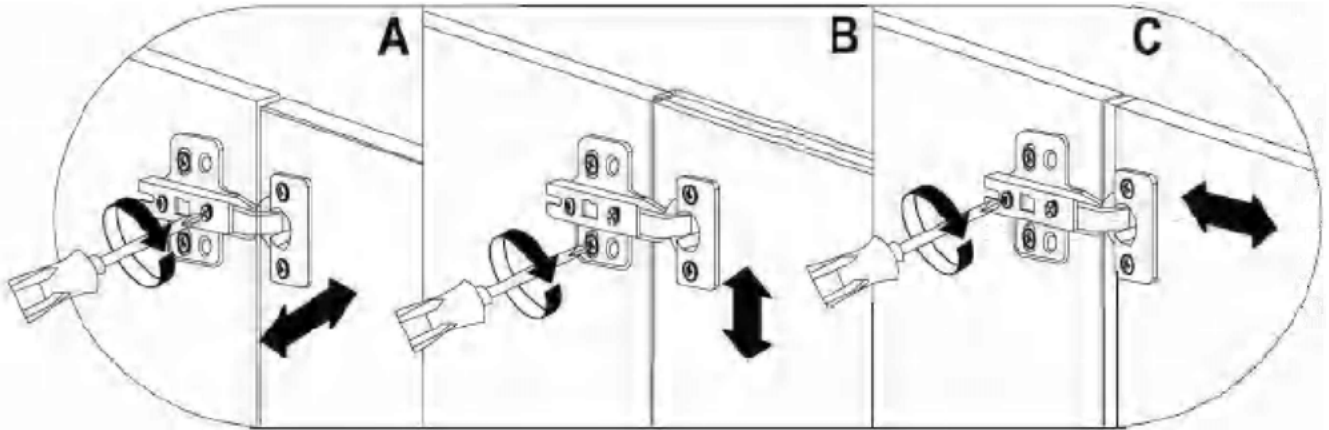
## Step 12.



## Step 13



## Hinges Adjustment to Align Door (as needed)



**A. Turn front screw to adjust door overlay (sideway).**

**B. Rotate cam screw on mounting plate to adjust door height.**

**C. Turn rear screw for door depth adjustment.**



#9 x4

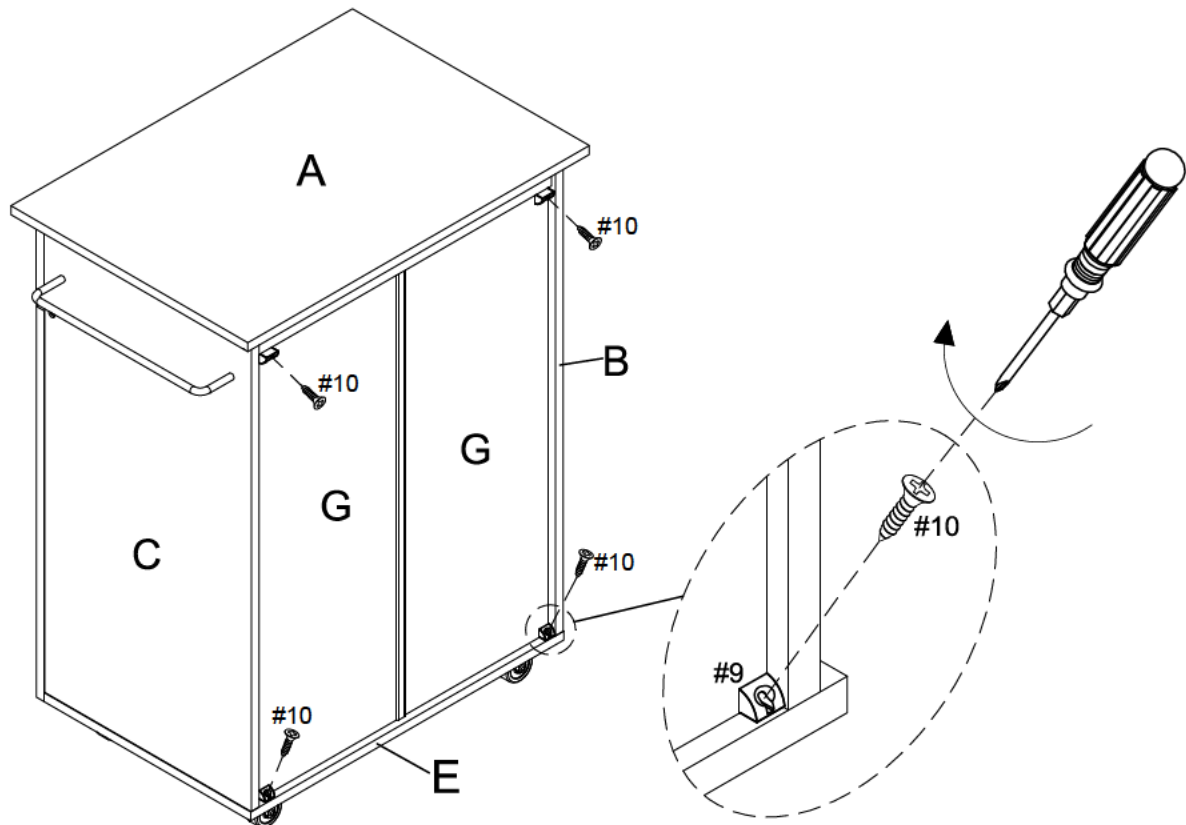


#10 x4



x1

Step 14.



12