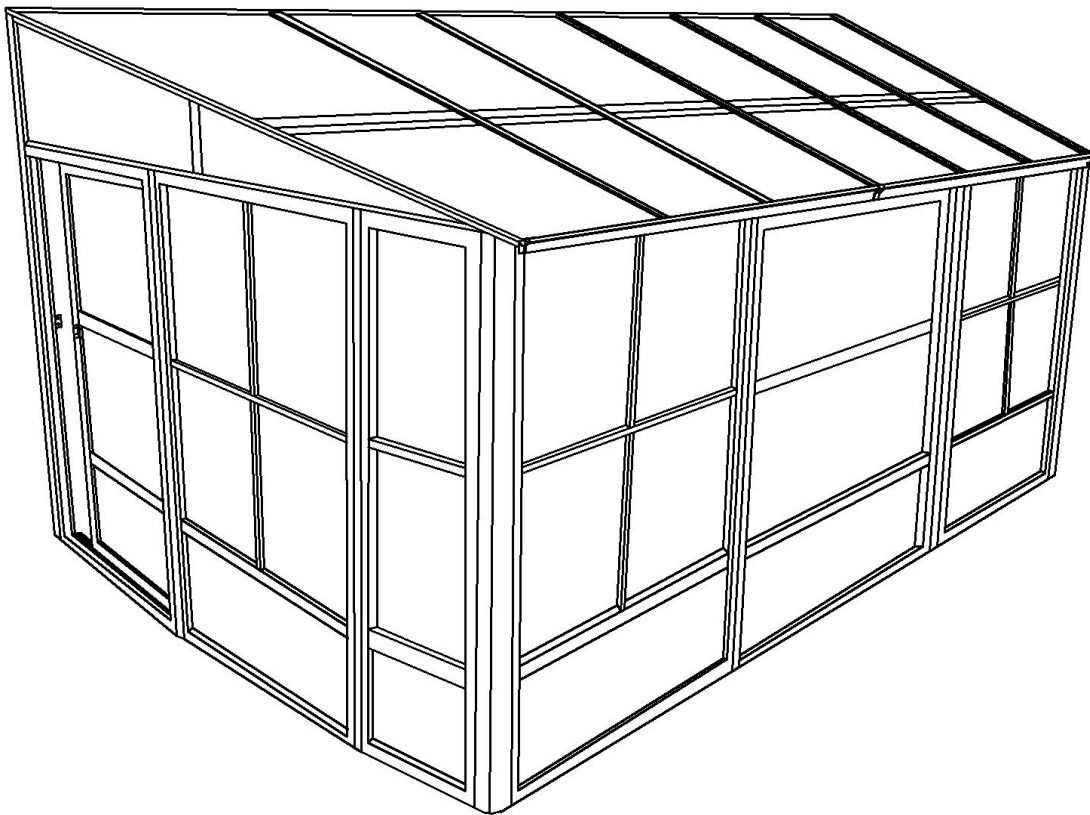


**PLEASE READ  
IN ITS ENTIRETY  
BEFORE  
INSTALLATION**

**WQG106GY-1  
WQG106GR-1**

**PLEASE READ  
IN ITS ENTIRETY  
BEFORE  
INSTALLATION**

**10 X 12 SOLARIUM  
ASSEMBLY INSTRUCTIONS**



**DO NOT DESTROY THE BOXES UNTIL COMPLETELY ASSEMBLED**

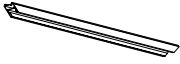










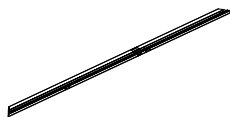




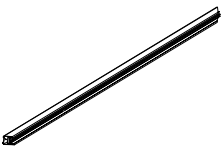


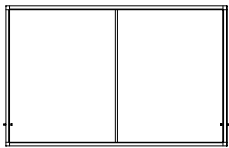
**PLEASE VERIFY THE CONTENT OF EACH BOX AGAINST THE LIST OF PARTS**

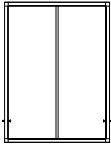

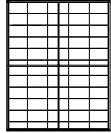
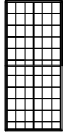
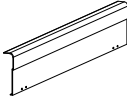
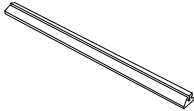
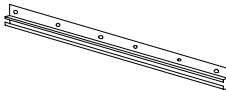
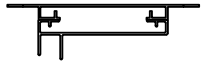
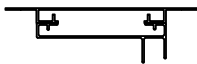




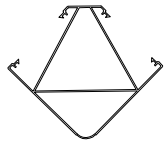
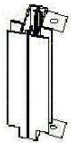

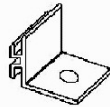



**Assembly by two or three adults is suggested.**






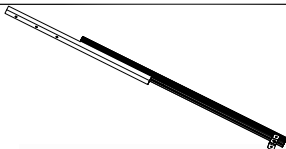



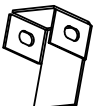
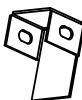


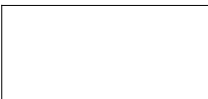






Requires 96" clearance at the wall


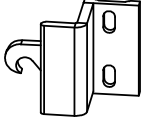
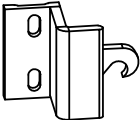
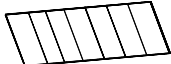
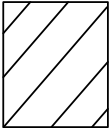
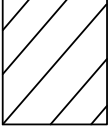
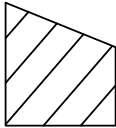
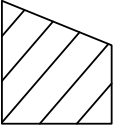
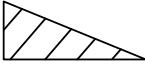
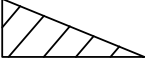





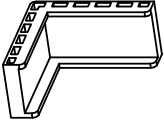




Base Dimensions 144"x 118", Largest Dimensions 144"x122" (see pg.13)


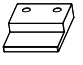
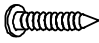
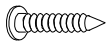
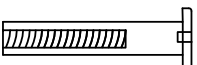
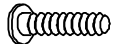

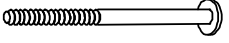
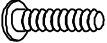
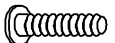
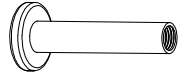


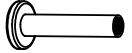


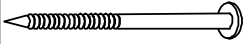



## SOLARIUM W1209 1/2







DESCRIPTION	PACKED IN BOX	QTY	DRAWING	DESCRIPTION	PACKED IN BOX	QTY	DRAWING
A DOOR TOP RAIL A1	6	1		A DOOR BOTTOM RAIL A2	6	1	
B DOOR TOP RAIL B1	6	3		B DOOR BOTTOM RAIL B2	6	3	
C DOOR TOP RAIL C1	6	2		C DOOR BOTTOM RAIL C2	6	2	
C DOOR CROSS RAIL C3	6	2		D DOOR CROSS RAIL D3	6	6	
D DOOR TOP RAIL D1	6	3		D DOOR BOTTOM RAIL D2	6	3	
D DOOR LEFT JAMB D4	5	3		D DOOR RIGHT JAMB D5	5	3	
E Frame TOP RAIL E1	6	2		E Frame BOTTOM RAIL E2	6	3	
E Frame LEFT JAMB E3	3	3		E Frame RIGHT JAMB E4	3	3	
A/B/C DOOR LEFT JAMB F1	3	6		A/B/C DOOR RIGHT JAMB F2	3	6	
A/B DOOR CROSS RAIL G	6	4		A/B DOOR TRANSPARENT WINDOW H	1	8	

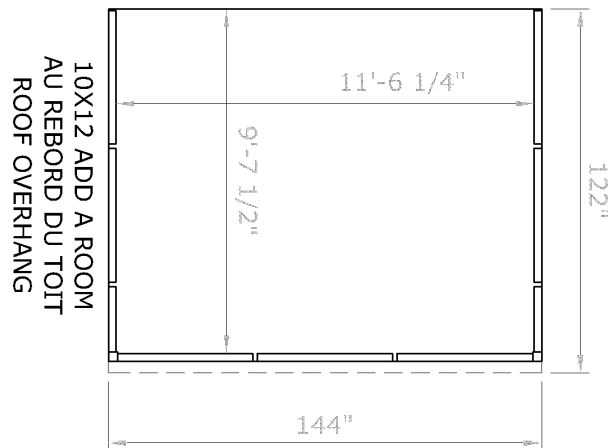
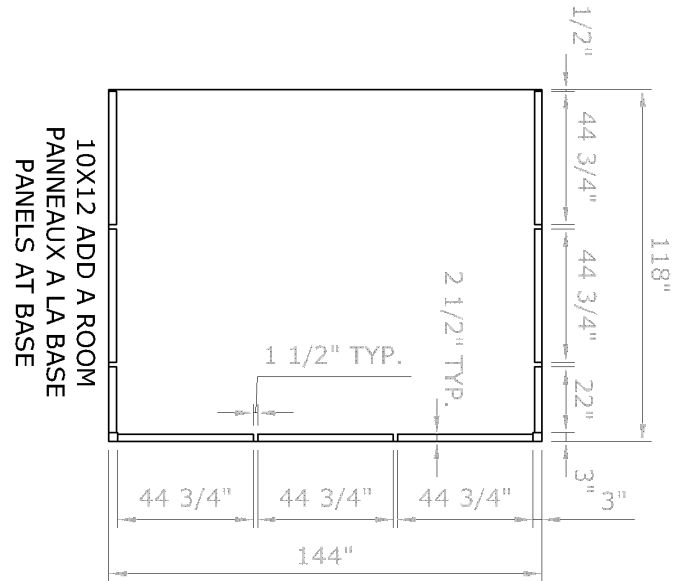
DESCRIPTION	PACKED IN BOX	QTY	DRAWING	DESCRIPTION	PACKED IN BOX	QTY	DRAWING
C DOOR TRANSPARENT WINDOW H1	1	4		CONNECTING PIECE I	3	12	
A/B DOOR SCREEN WINDOW J	1	4		C DOOR SCREEN WINDOW J1	1	2	
D DOOR PULLEY PROTECTION COVER K	6	3		BOTTOM DOOR RAIL L	4	3	
TOP DOOR RAIL M	4	3		LEFT WALL GUIDE N	4	1	
RIGHT WALL GUIDE N1	4	1		LEFT SIDE RECEIVER O	5	1	
LEFT SIDE RECEIVER O1	5	1		RIGHT SIDE RECEIVER P	5	1	
LEFT SIDE RECEIVER P1	5	1		CORNER CONNECTOR Q	3	2	
LEFT GABLE JOINT R	5	1		RIGHT GABLE JOINT R1	5	1	
RAFTER BRACKET S	6	4		TRACK JOINT T	5	1	
TRACK T1-L	5	1		TRACK T2-R	5	1	

DESCRIPTION	PACKED IN BOX	QTY	DRAWING	DESCRIPTION	PACKED IN BOX	QTY	DRAWING
EAVE GUTTER U	5	1		LEFT SIDE RAFTER V-R	5	1	
LEFT SIDE RAFTER V1-R	5	1		LEFT SIDE RAFTER V-L	5	1	
LEFT SIDE RAFTER V1-L	5	1		REGULAR RAFTER W	5	5	
REGULAR RAFTER W1	5	5		MIDDLE ROOF JOINT X	5	2	
MIDDLE ROOF JOINT X1	5	4		ROOF RAFTER CAP Y	6	2	
ROOF RAFTER CAP Y1	6	5		D DOOR Pulley Z	6	6	
A/B DOOR BLISTER BOARD Aa	1	4		D DOOR BLISTER BOARD Aa1	1	3	
C DOOR BLISTER BOARD Aa2	1	2		A/B DOOR BLISTER BOARD CASING Bb	5	8	
A/B/C DOOR BLISTER BOARD CASING Bb1	5	12		C DOOR BLISTER BOARD CASING Bb2	5	4	
D DOOR BLISTER BOARD CASING Bb3	5	6		D DOOR BLISTER BOARD CASING Bb4	5	6	

DESCRIPTION	PACKED IN BOX	QTY	DRAWING	DESCRIPTION	PACKED IN BOX	QTY	DRAWING
EAVE GUTTER SEALING EDGE Cc	6	1		RIGHT DOOR LATCH Dd-R	6	1	
LEFT DOOR LATCH Dd-L	6	2		D DOOR PANEL Ee	1	6	
(63¼ x 24½") LEFT+RIGHT ROOF PANEL Ff	2	4		(63¼ x 23") REGULAR ROOF PANEL Ff1	2	8	
LEFT BACK GABLE PANEL Gg	2	1		RIGHT BACK GABLE PANEL Gg1	2	1	
LEFT FRONT GABLE PANEL Hh	2	1		RIGHT FRONT GABLE PANEL Hh1	2	1	
Door Lock Spring li	6	6		END ROOF CROSS BAR Jj	5	4	
REGULAR ROOF CROSSBAR Kk	5	8		ROOF TOP REINFORCE Ll	5	2	
ROOF TOP REINFORCE Mm	5	4		A/B/C/E DOOR FRAME PLASTIC JOINT Nn	6	36	
D DOOR FRAME PLASTIC JOINT Oo	6	12		PLASTIC STOPPER Pp	6	6	
DOOR LOCK COVER Qq	6	12		PLASTIC STOPPER Qq1	6	3	

DESCRIPTION	PACKED IN BOX	QTY	DRAWING	DESCRIPTION	PACKED IN BOX	QTY	DRAWING
PLASTIC STOPPER Qq2	6	24		PLASTIC MODULE Rr	6	6	
SCREW Sa	6	462	 (M4*16mm)	SCREW Sb	6	84	 (M4*12mm)
FEMALE BOLT Sc1	6	18	 (M5*60mm)	BOLT Sc2	6	30	 (M5*15mm)
SCREW FOR FIXING TO WALL Sd	6	18		BOLT Se	6	18	 (M6*70mm)
BOLT Sf	6	23	 (M6*12mm)	BOLT Sg	6	43	 (M6*16mm)
FEMALE BOLT Sh1	6	12	 (M5*30mm)	FEMALE BOLT Si1	6	12	 (M4*17mm)
FEMALE BOLT Si2	6	24	 (M4*10mm)	FEMALE BOLT Sj1	6	6	 (M4*20mm)
BOLT Sj2	6	6	 (M4*5mm)	BOLT Sk	6	7	 M6*45mm
SCREW Sp	6	12	 (M6*63.5mm)	SCREW Sq	6	21	 M6*35mm
PLASTIC PLUG Tt	6	12		NUT Uu	6	7	 M6

DESCRIPTION	PACKED IN BOX	QTY	DRAWING	DESCRIPTION	PACKED IN BOX	QTY	DRAWING
WASHER Vv	6	50	 M6	D DOOR Pulley gasket Ww	6	6	
CROSS SCREWDRIVER Xx	6	1	 M6	OPEN END WRENCH Yy	6	1	 M6
EF Frame TOP RAIL Ea	6	1		EAVE GUTTER U1	5	1	

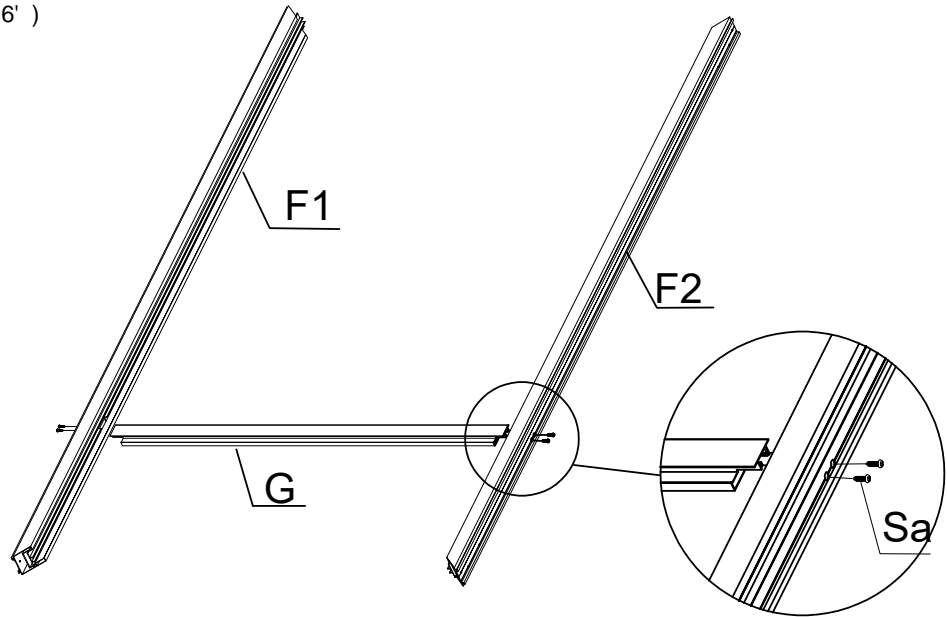


**TOOLS REQUIRED:**

- Screwdriver
- Knife
- File (smooth)
- Needle-nosed pliers
- Rubber mallet
- Step ladder (a minimum height of 6' )
- Spatula
- Power drill
- Tube of silicon
- Drill bit 5/16" cement  
(according to surface)

**STEP #1**

Secure F1 and F2 to G with self-tapping screws(Sa) as shown.

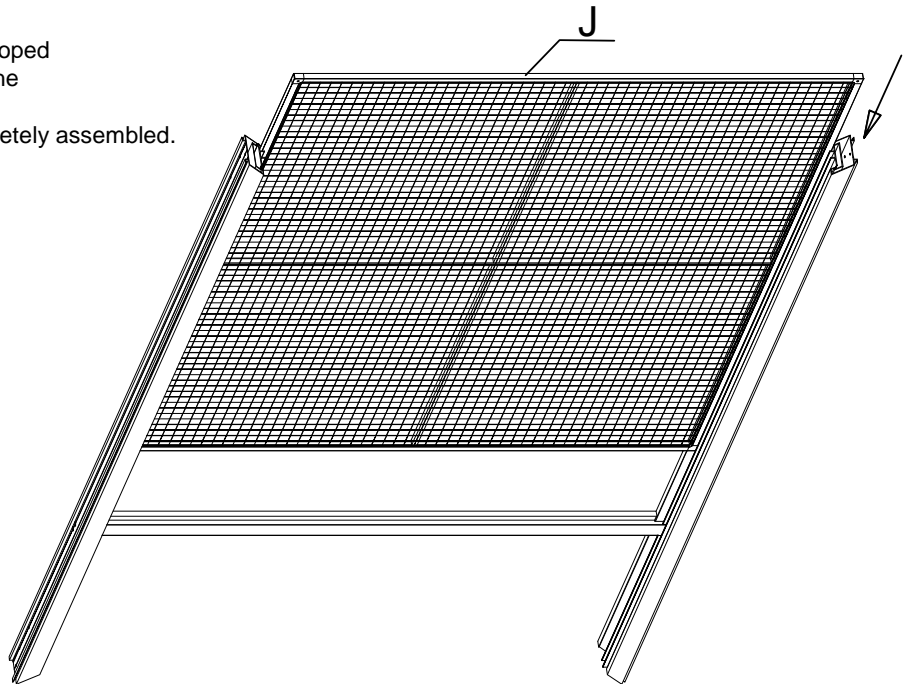


**BEFORE STARTING:**

Ensure that you have a solid base, such as concrete or wooden decks, not slanted more than 1" per 8'. Avoid installing units adjacent to trees or a sloped roof, as snow and ice may slide onto the solarium and cause it to collapse. Please don't destroy boxes until completely assembled.

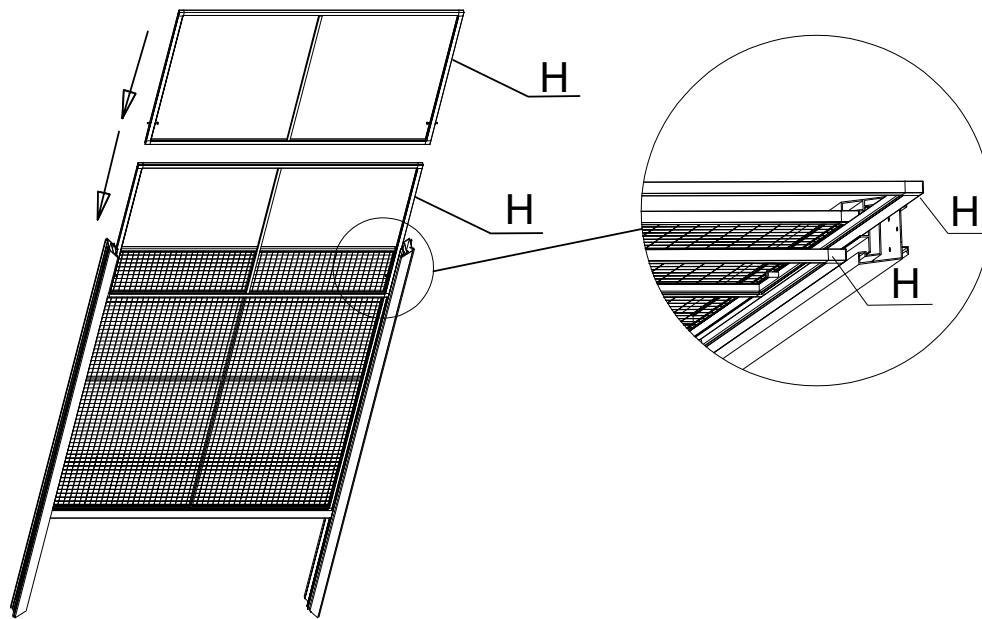
**STEP #2**

Push the screen window (J) into the outermost pipe of (F1) and (F2).



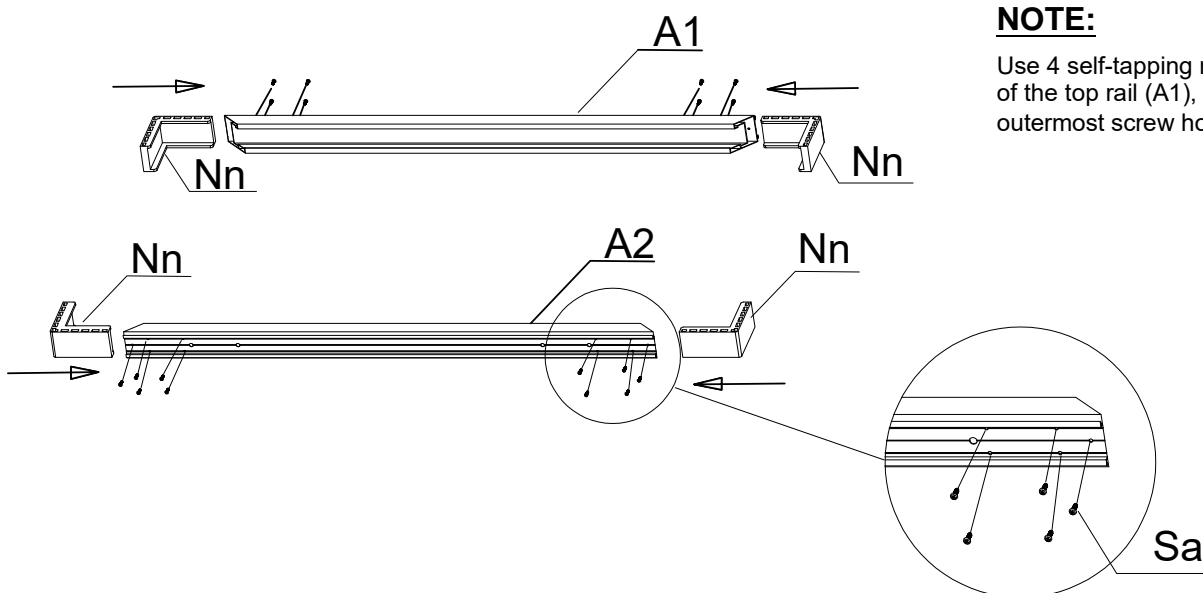
**STEP #3**

Push 2 transparent windows (H) along the middle and inside guide rails of F1 and F2 as shown in the figure.



**STEP #4**

As shown in the figure, the (Nn) is fixed on both ends of the top rail (A1) and bottom rail (A2) with eighteen self-tapping screws (Sa).

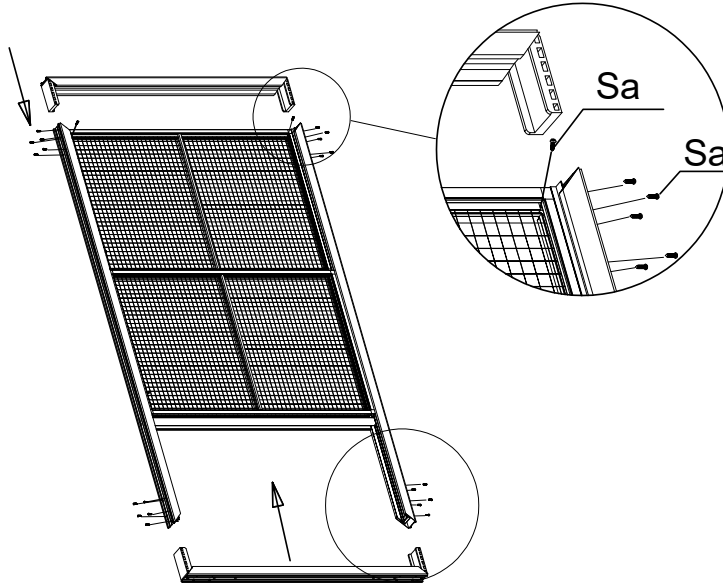


**NOTE:**

Use 4 self-tapping nails at each end of the top rail (A1), leaving the outermost screw holes at both ends.

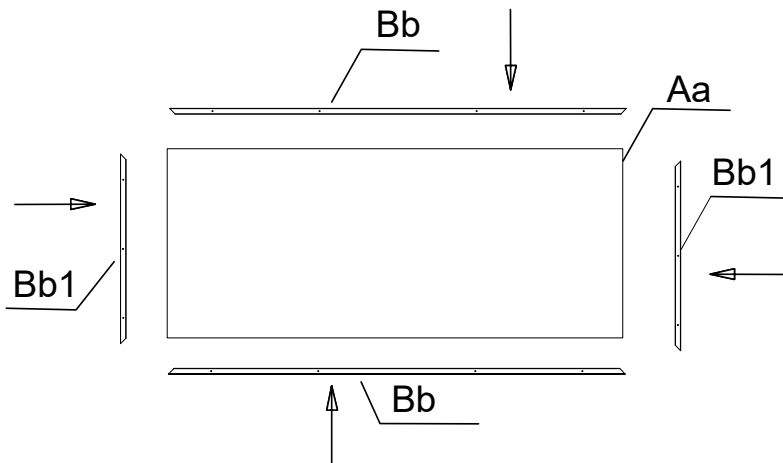
### **STEP#5**

As shown in the figure, use self-tapping screws (Sa) to fix (Nn) on both ends of the left jamb (F1) and right jamb (F2) respectively, attaching the screen window (J) to the door frame with two self-tapping screws(Sa) .



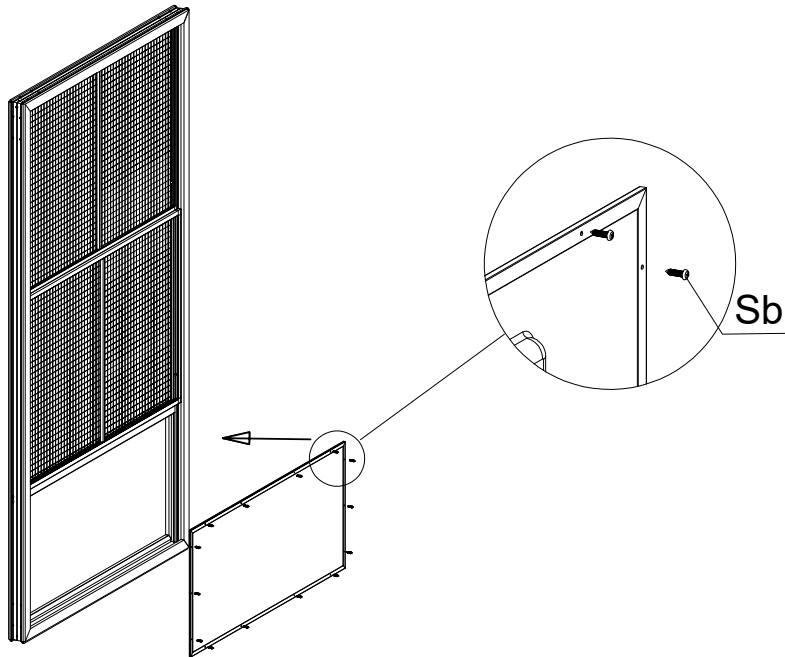
### **STEP#6**

Install the casing (Bb) and casing (Bb1) on each of the four sides of the blister board (Aa), as shown in the figure.



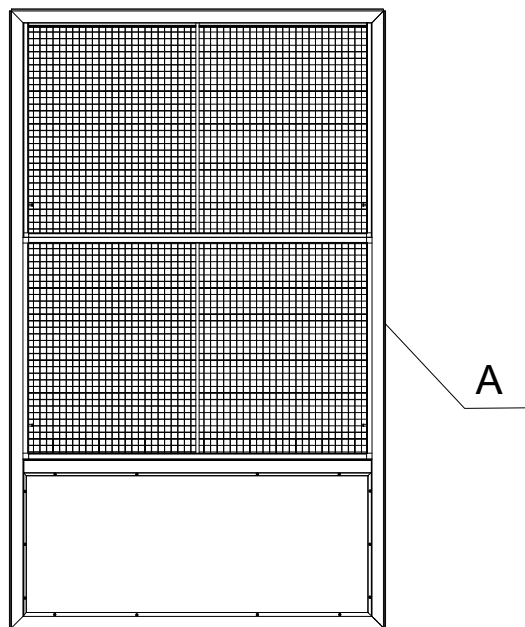
**STEP#7**

Secure the blister panel to the door frame with self-tapping screws (Sb) as shown.



**STEP#8**

Complete the installation of one A door as shown in the figure.

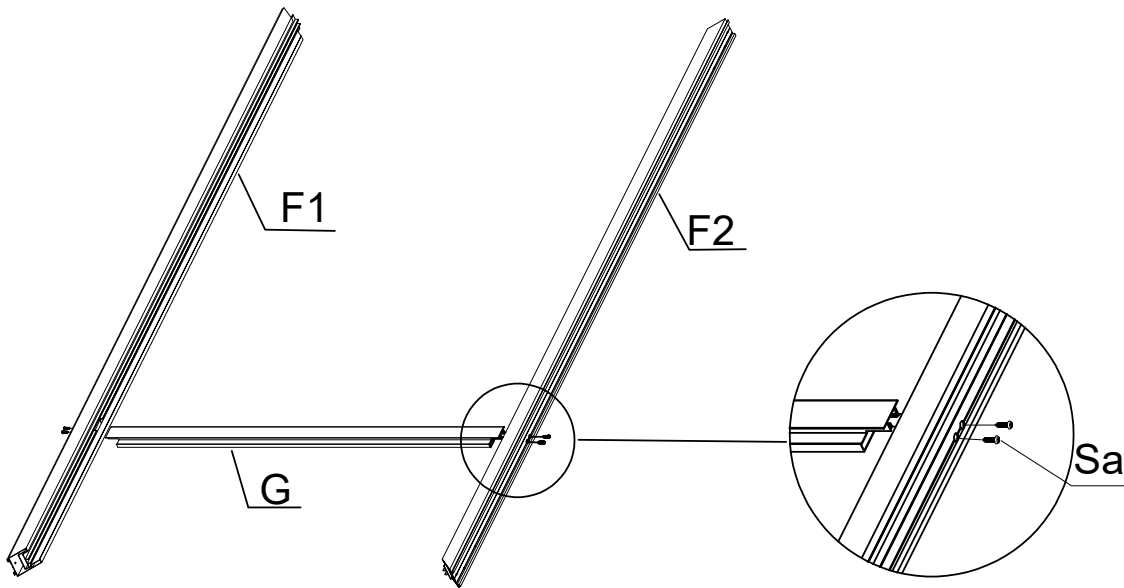


**STEP #9**

Secure F1 and F2 to G with self-tapping screws(Sa) as shown.

**NOTE:**

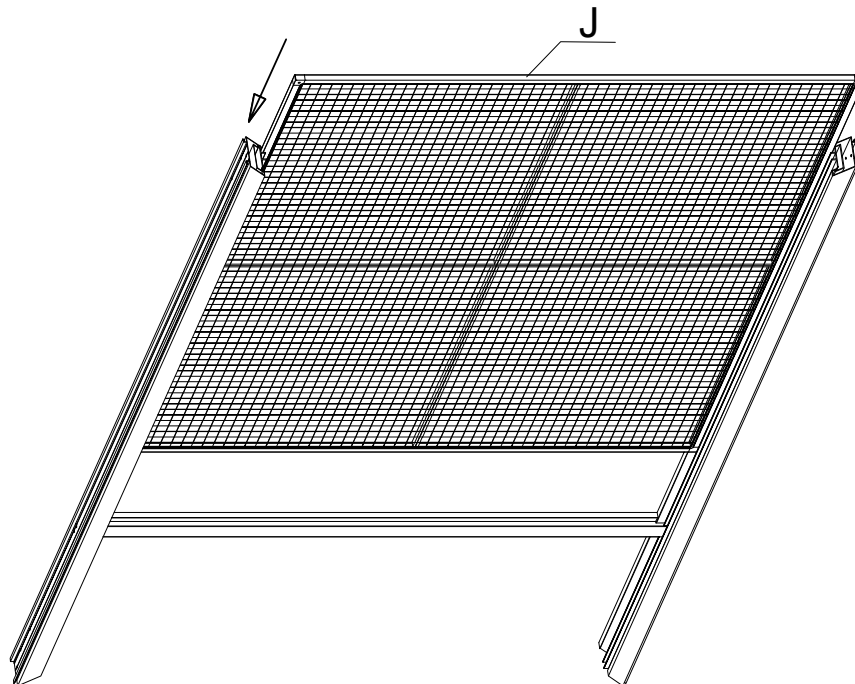
Note that the same parts may be installed repeatedly. Note the number of components to be installed.



**X3**

**STEP #10**

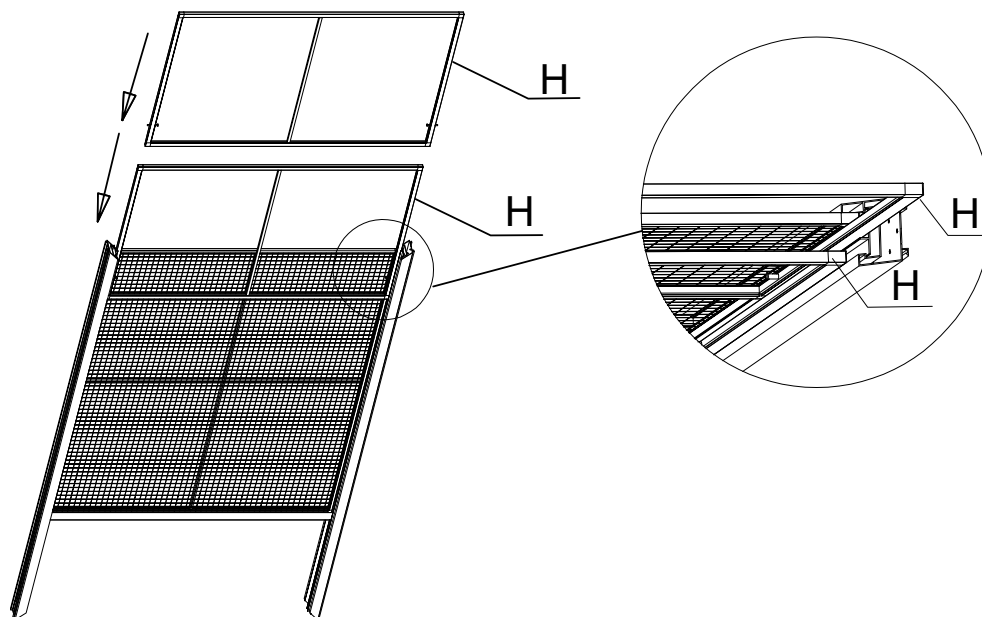
Push the screen window (J) into the outermost pipe of (F1) and (F2).



**X3**

**STEP #11**

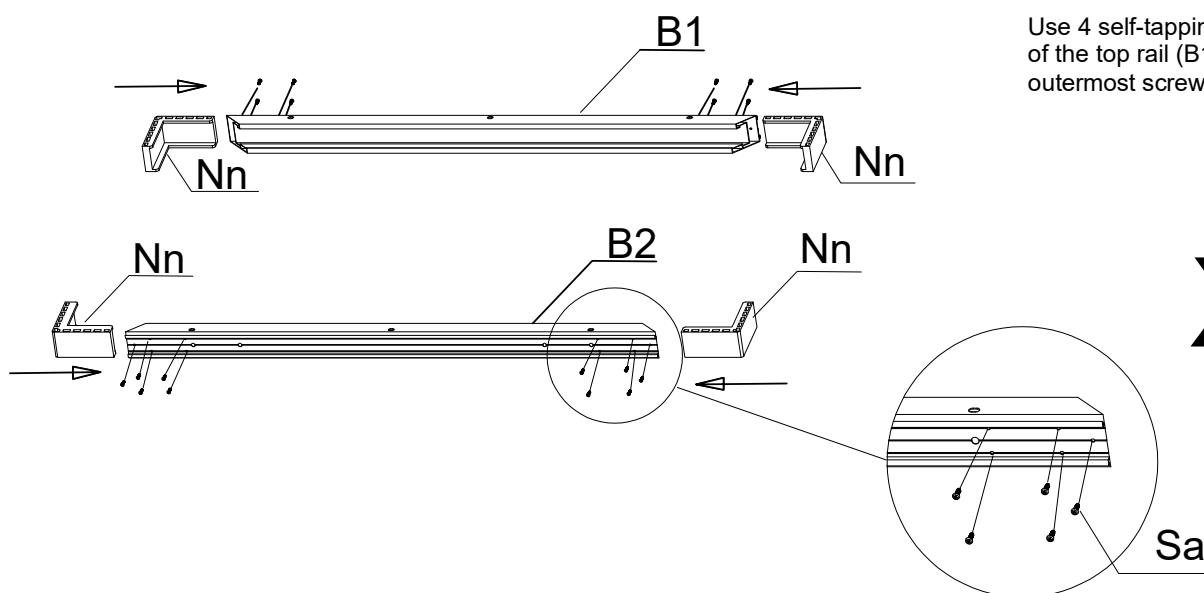
Push 2 transparent windows (H) along the middle and inside guide rails of F1 and F2 as shown in the figure.



X3

**STEP #12**

As shown in the figure, the (Nn) is fixed on both ends of the top rail (B1) and bottom rail (B2) with eighteen self-tapping screws (Sa).



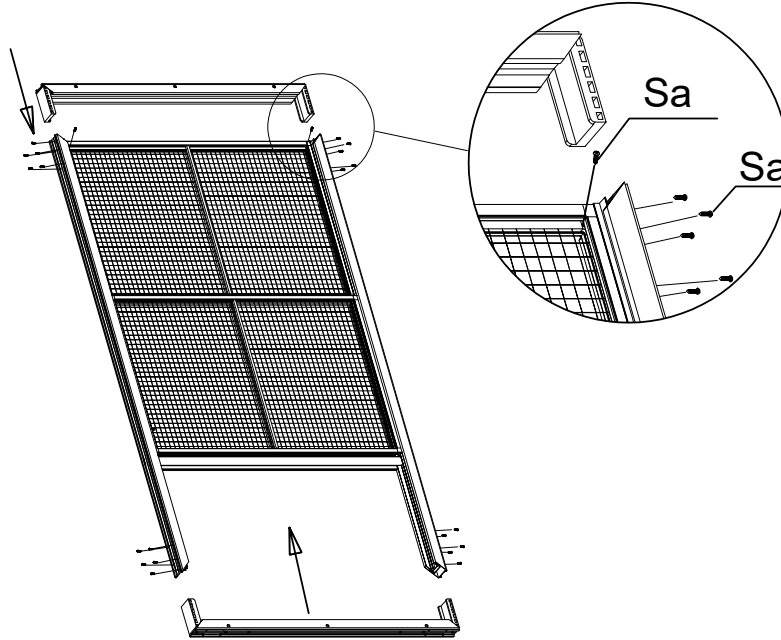
**NOTE:**

Use 4 self-tapping nails at each end of the top rail (B1), leaving the outermost screw holes at both ends.

X3

**STEP#13**

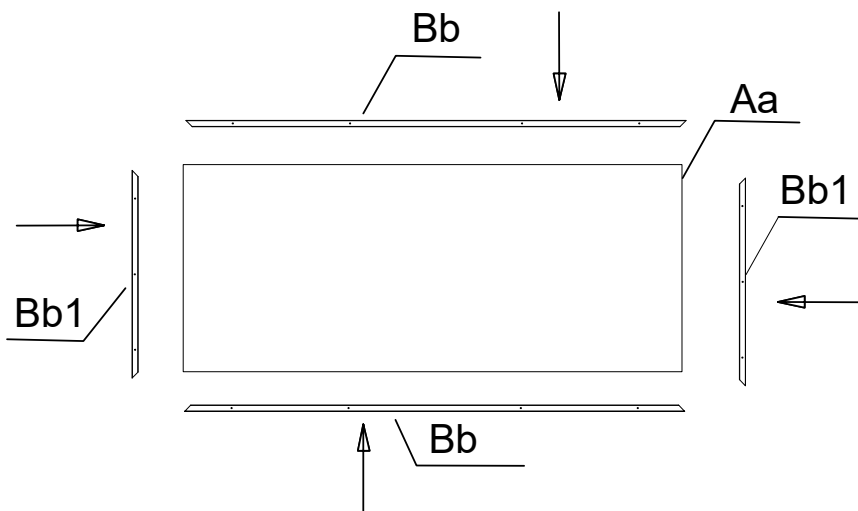
As shown in the figure, use self-tapping screws (Sa) to fix (Nn) on both ends of the left jamb (F1) and right jamb (F2) respectively, attaching the screen window (J) to the door frame with two self-tapping screws(Sa) .



X3

**STEP#14**

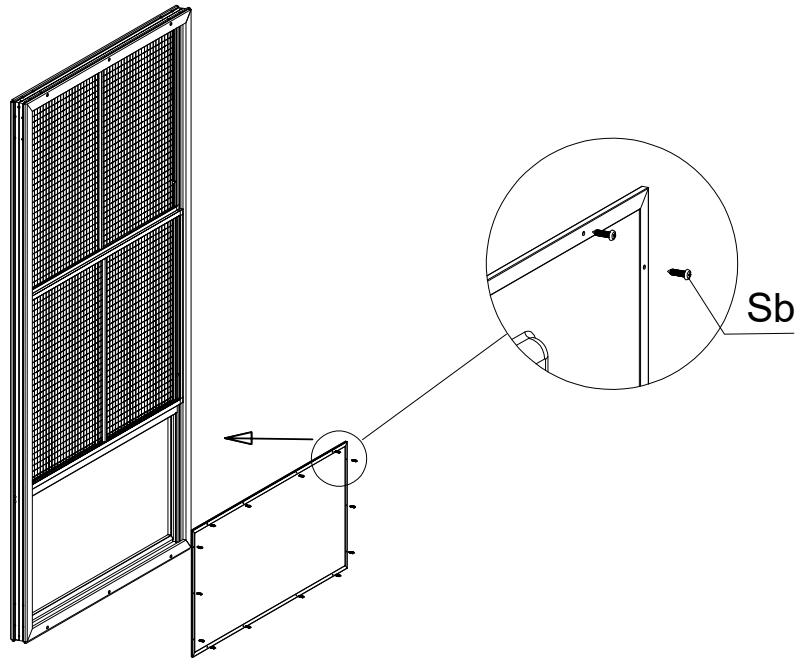
Install the casing (Bb) and casing (Bb1) on each of the four sides of the blister board (Aa), as shown in the figure.



X3

**STEP#15**

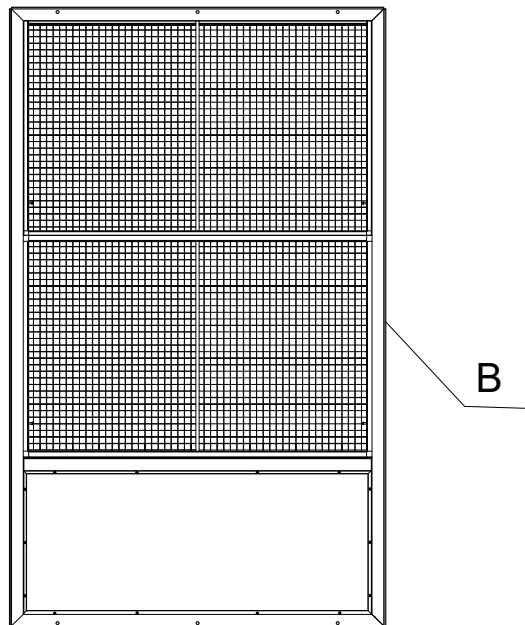
Secure the blister panel to the door frame with self-tapping screws (Sb) as shown.



**X3**

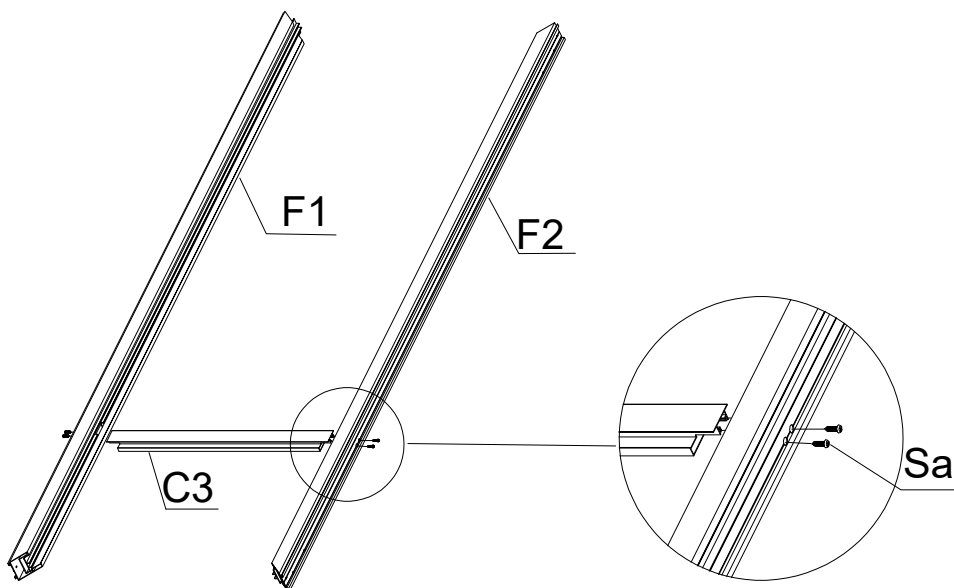
**STEP#16**

Complete the installation of three B doors as shown in the figure.



**STEP #17**

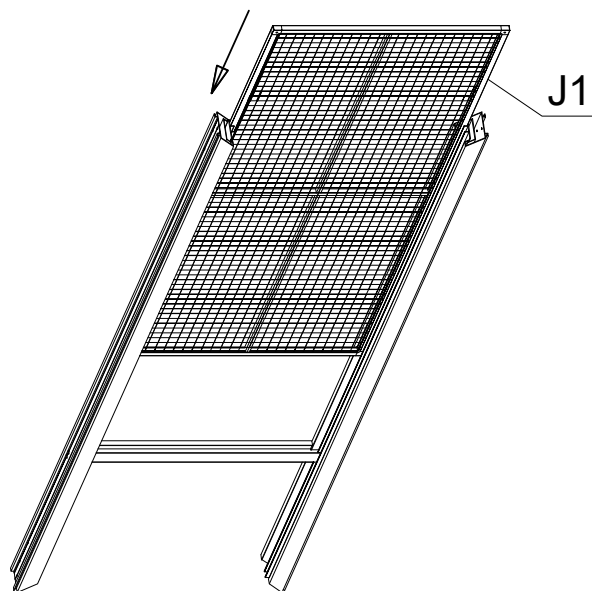
Secure F1 and F2 to C3 with self-tapping screws(Sa) as shown.



X2

**STEP #18**

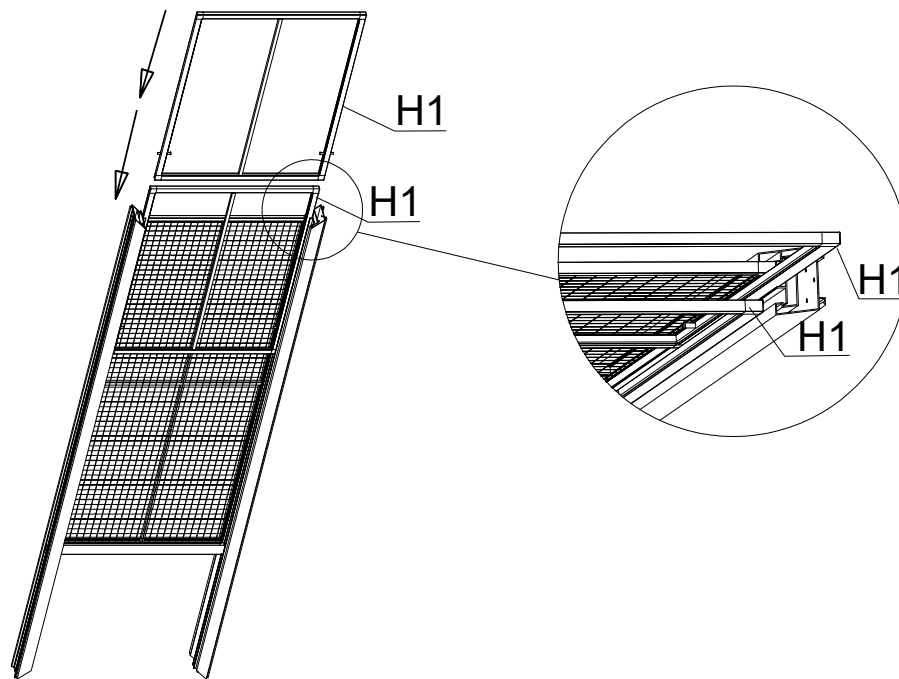
Push the screen window (J1) into the outermost pipe of (F1) and (F2).



X2

**STEP #19**

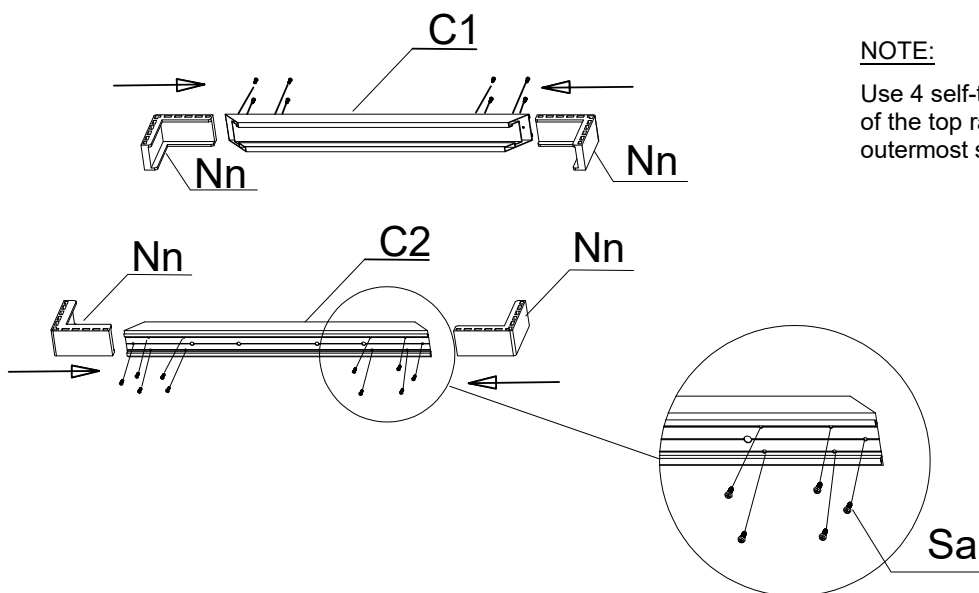
Push 2 transparent windows (H1) along the middle and inside guide rails of F1 and F2 as shown in the figure.



X2

**STEP #20**

As shown in the figure, the (Nn) is fixed on both ends of the top rail (C1) and bottom rail (C2) with eighteen self-tapping screws (Sa).



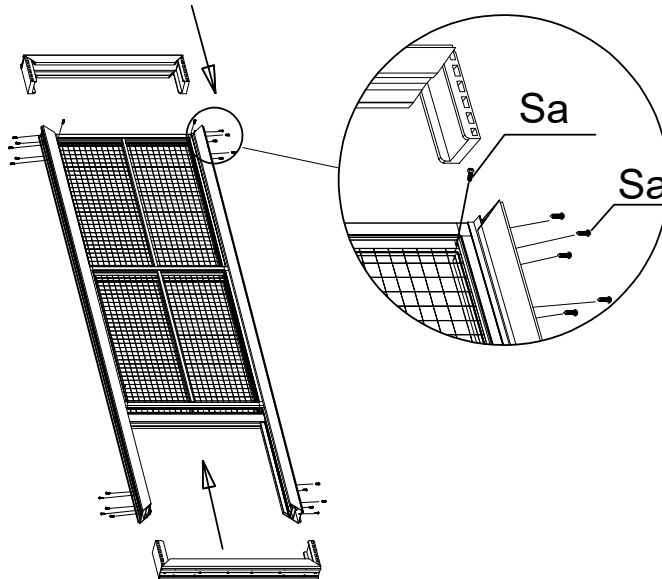
**NOTE:**

Use 4 self-tapping nails at each end of the top rail (C1), leaving the outermost screw holes at both ends.

X2

### **STEP #21**

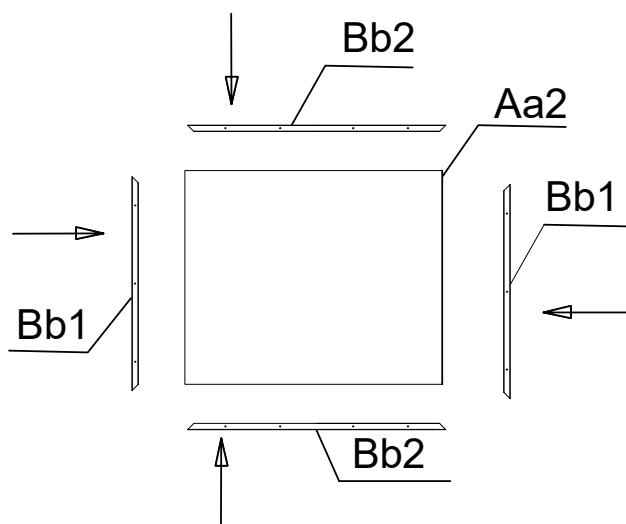
As shown in the figure, use self-tapping screws (Sa) to fix (Nn) on both ends of the left jamb (F1) and right jamb (F2) respectively, attaching the screen window (J1) to the door frame with two self-tapping screws(Sa)



# X2

### **STEP #22**

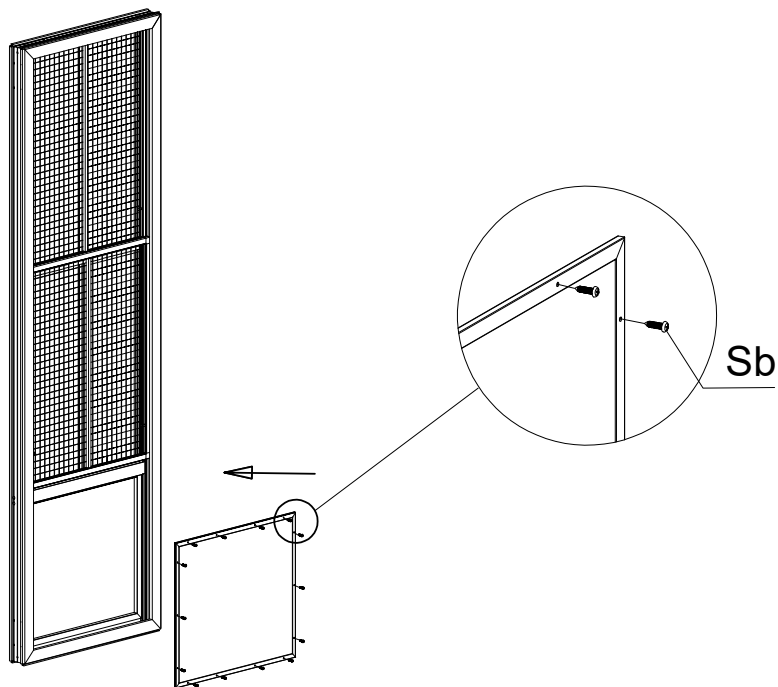
Install the casing (Bb2) and casing (Bb1) on each of the four sides of the blister board (Aa2), as shown in the figure.



# X2

**STEP #23**

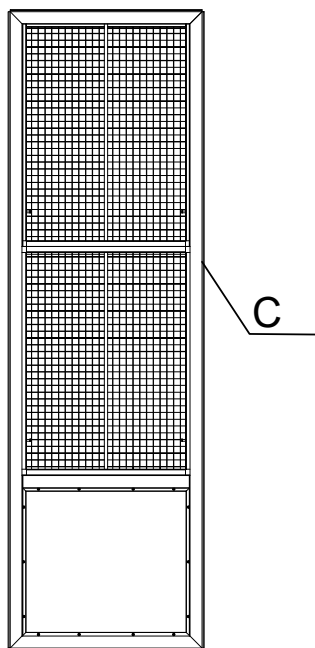
Secure the blister panel to the door frame with self-tapping screws (Sb) as shown.



**X2**

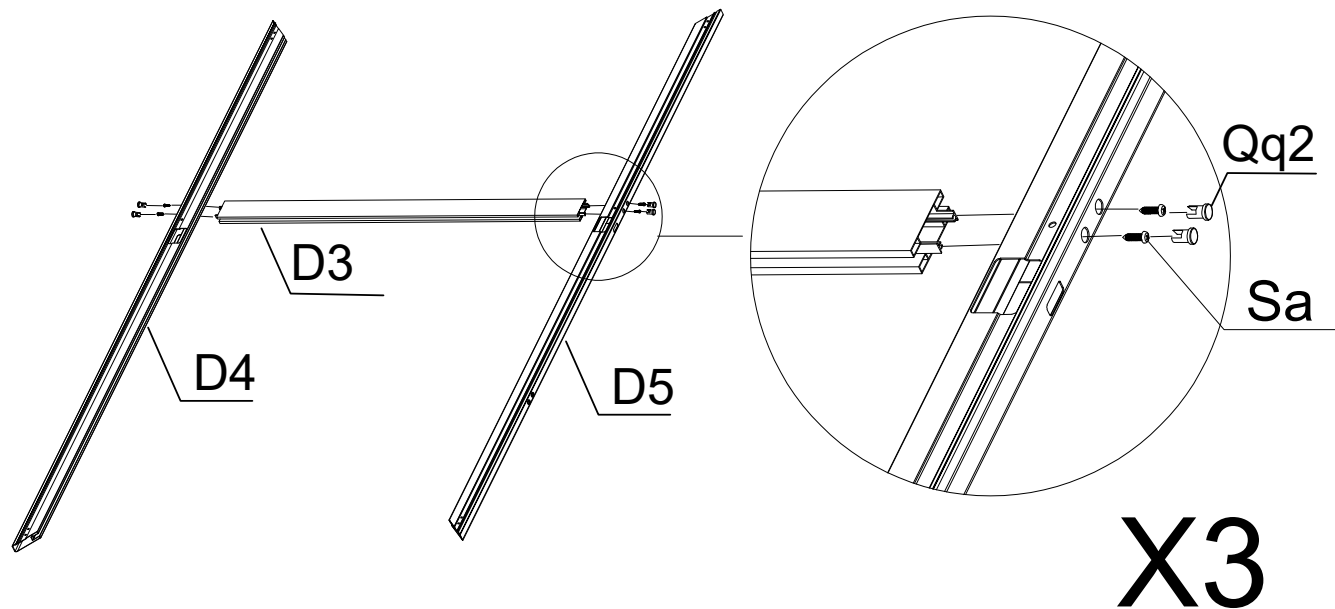
**STEP #24**

Complete the installation of two C doors as shown in the figure.



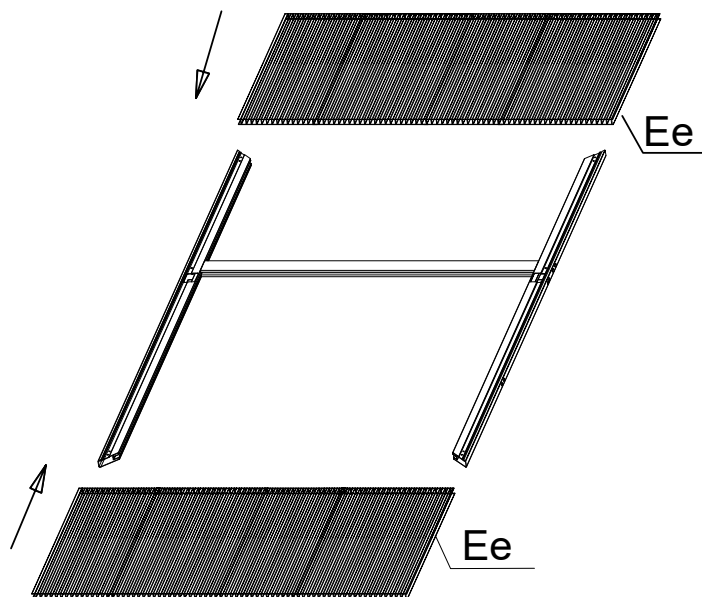
**STEP #25**

Secure D4 and D5 to D3 with self-tapping screws(Sa) as shown,then plug the screw hole with the plastic stopper (Qq2).



**STEP #26**

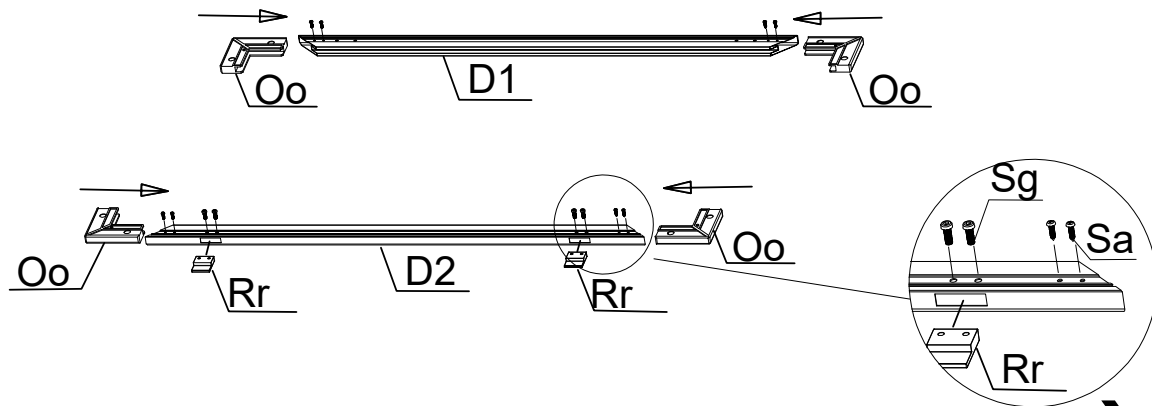
As shown in the figure, push the two panels (Ee ) into the left jamb (D4) and right jamb (D5) respectively along the slide rails.



**STEP#27**

As shown in the figure, use self-tapping screws (Sa) to fix (Oo) on both ends of the top rail (D1) and bottom rail (D2) respectively.

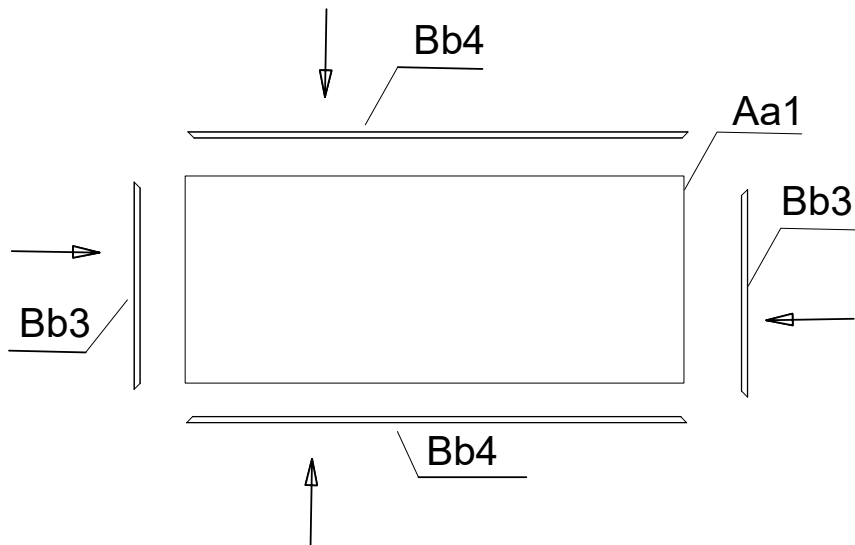
Fasten two (Rr) with screws (Sg) in square holes of the bottom rail (D2) as shown.



**X3**

**STEP#28**

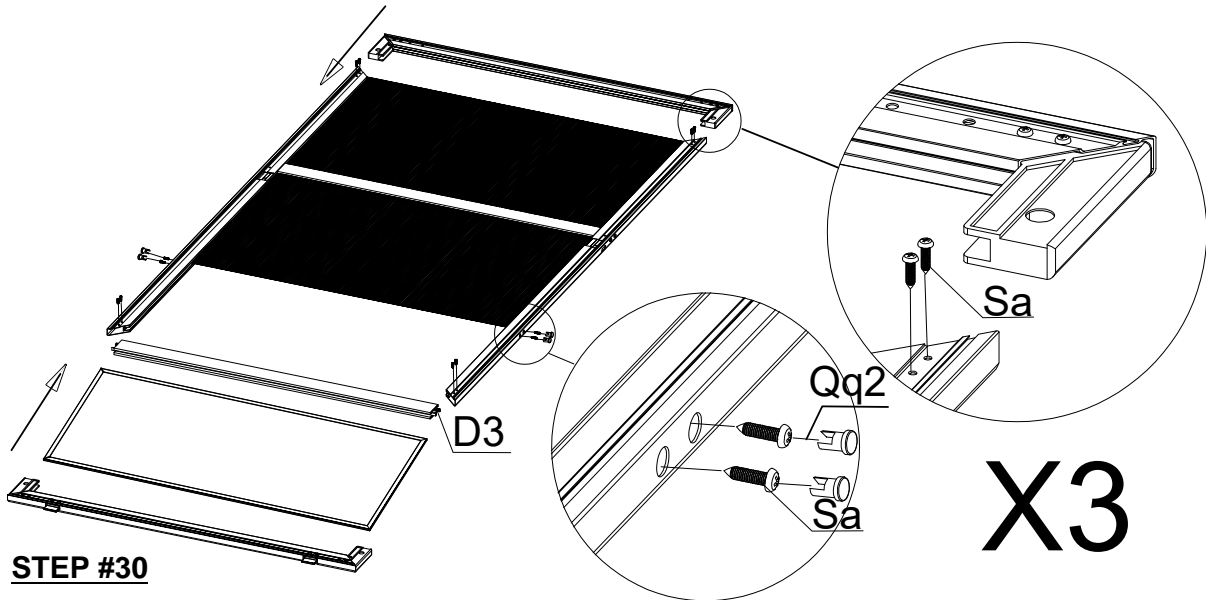
Install the casing (Bb4) and casing (Bb3) on each of the four sides of the blister board (Aa1), as shown in the figure.



**X3**

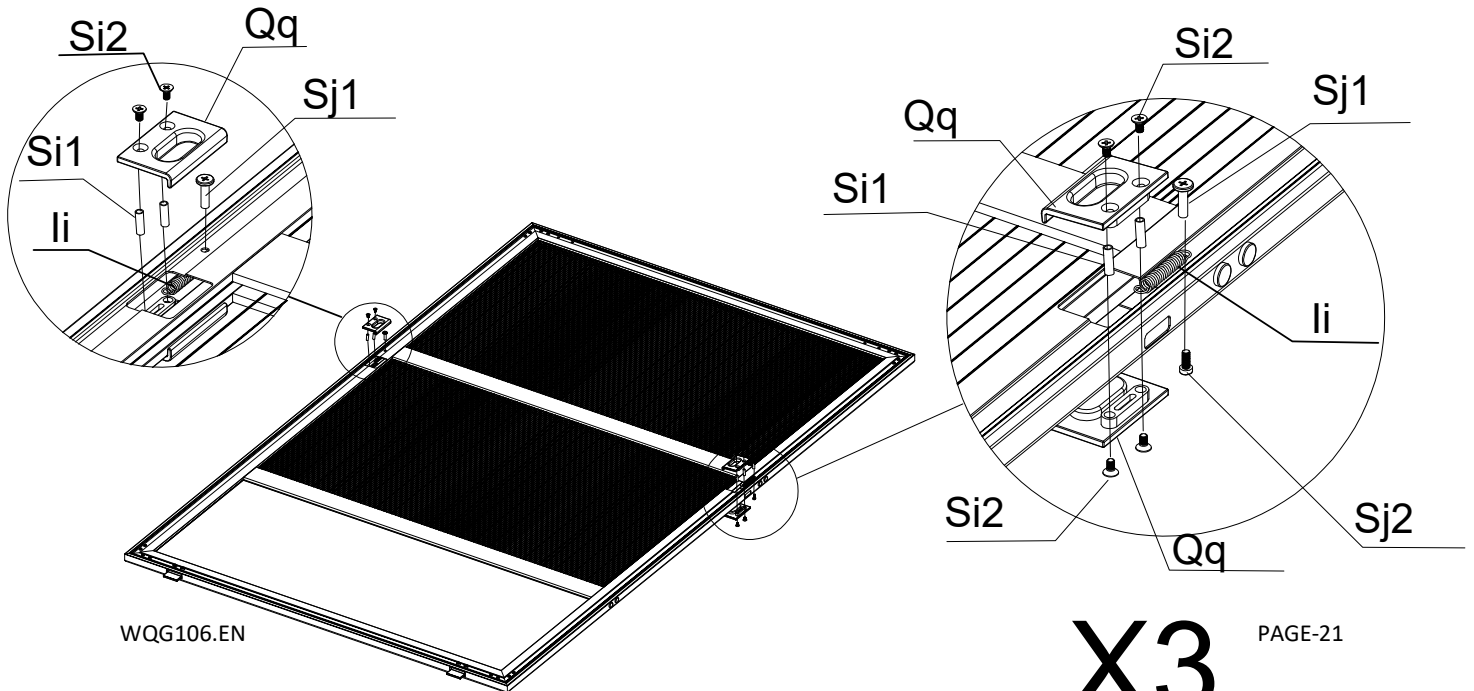
**STEP #29**

1. Insert the cross rail (D3) into the slide rails of the left jamb (D4) and right jamb (D5) as shown. Secure it with self-tapping screws (Sa), and plug the screw holes with plastic stoppers (Qq2).
2. Slide the blister board (Aa1) into the slide rails of the left jamb (D4) and right jamb (D5) as illustrated.
3. As shown in the diagram, use self-tapping screws (Sa) to attach component (Oo) to both ends of the left jamb (D4) and right jamb (D5) respectively.



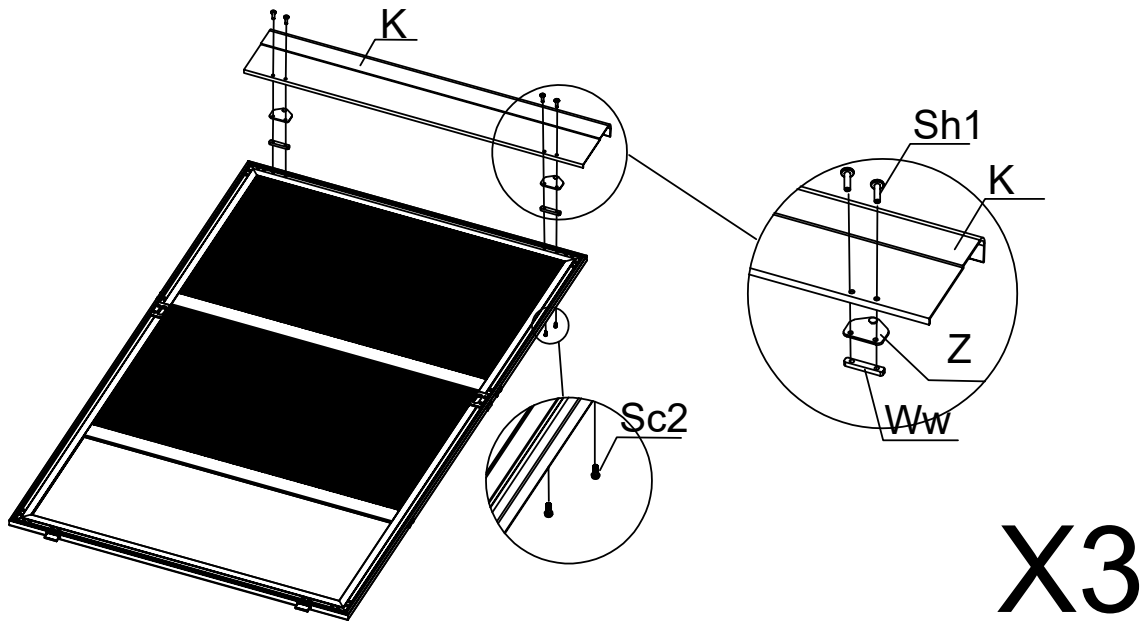
**STEP #30**

1. Place the two doors' lock springs (li) into the square holes of the left jamb (D4) and the right jamb (D5). Hook the female bolt (Sj1) through the round hole of the jamb and one end of the door lock spring (li), as shown in the picture.
2. Secure the bolt (Sj2) to the female bolt (Sj1).
3. Fasten two female bolts (Si1) and two bolts (Si2) onto the door lock cover (Qq). Hook one of the female bolts (Si1) through the other end of the door lock springs (li). Cover the square hole of the jamb with the door lock cover (Qq). Repeat the process on the other end of the jamb square hole using another door lock cover (Qq) and secure it with two bolts (Si2).



**STEP#31**

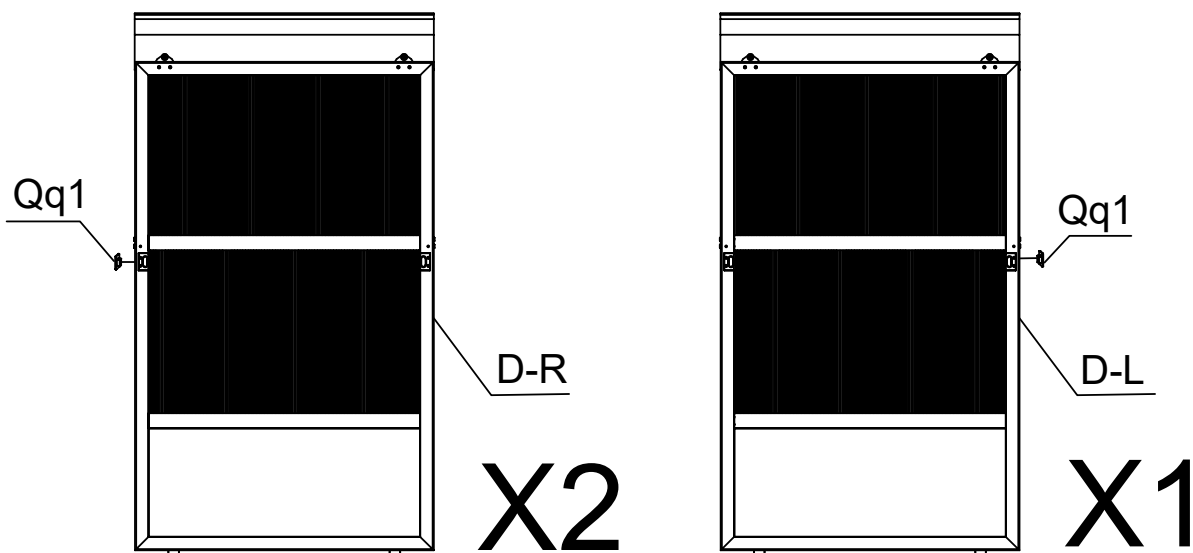
Attach pulley (Z) and pulley gasket(Ww) and pulley protection cover (K) to top rail (D1) with female bolt(Sh1) and bolt(Sc2).



**STEP#32**

Choose one of the doors, as shown in the figure, and plug the square hole on the right door frame (D5) with a plastic stopper (Qq1) to complete the installation of the D-L door.

Select the other two doors, as shown in the figure, and plug the square hole on the left door frame (D4) with a plastic stopper (Qq1) to complete the installation of the D-R door.

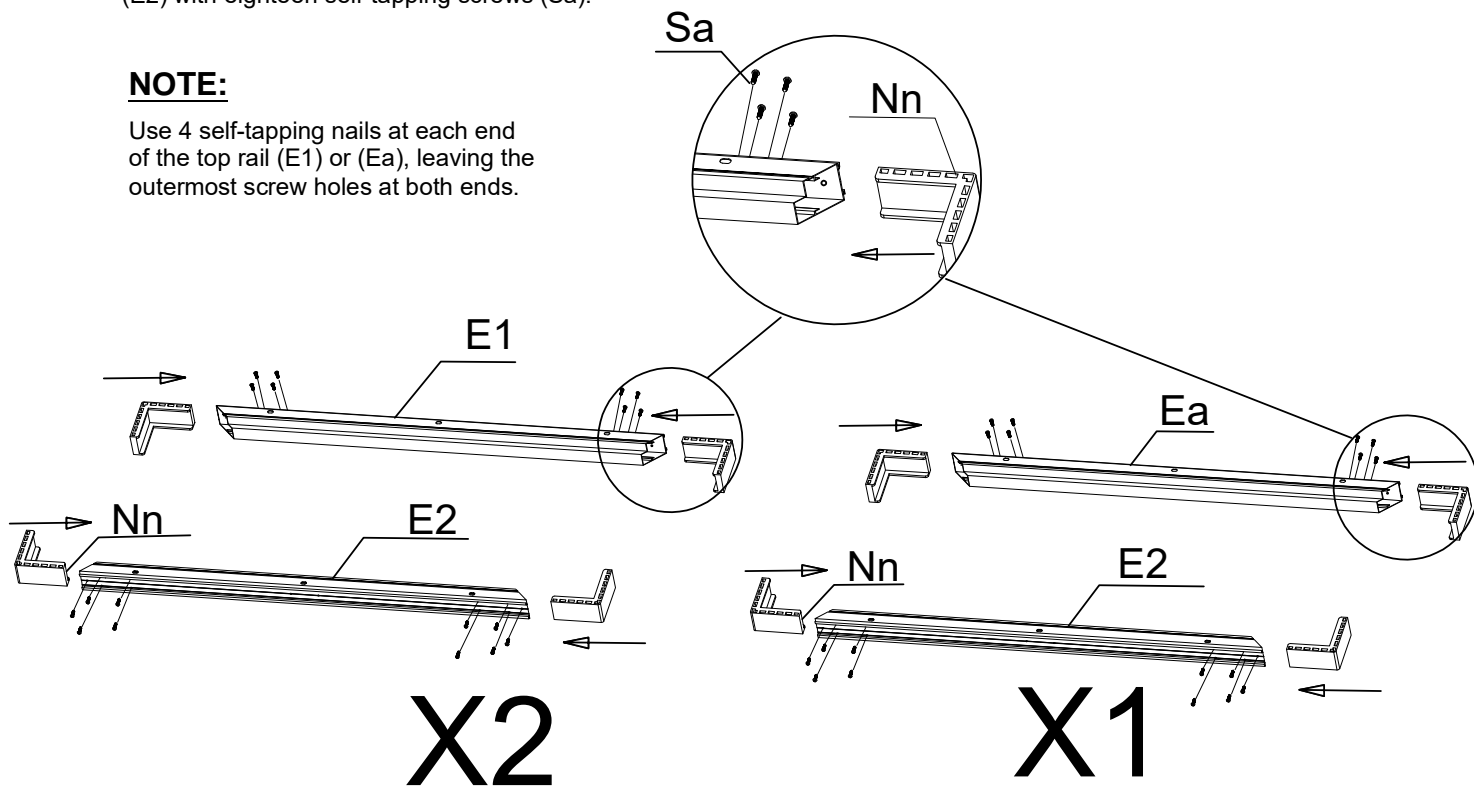


### STEP #33

As shown in the figure, the (Nn) is fixed on both ends of the top rail (E1) or (Ea) and bottom rail (E2) with eighteen self-tapping screws (Sa).

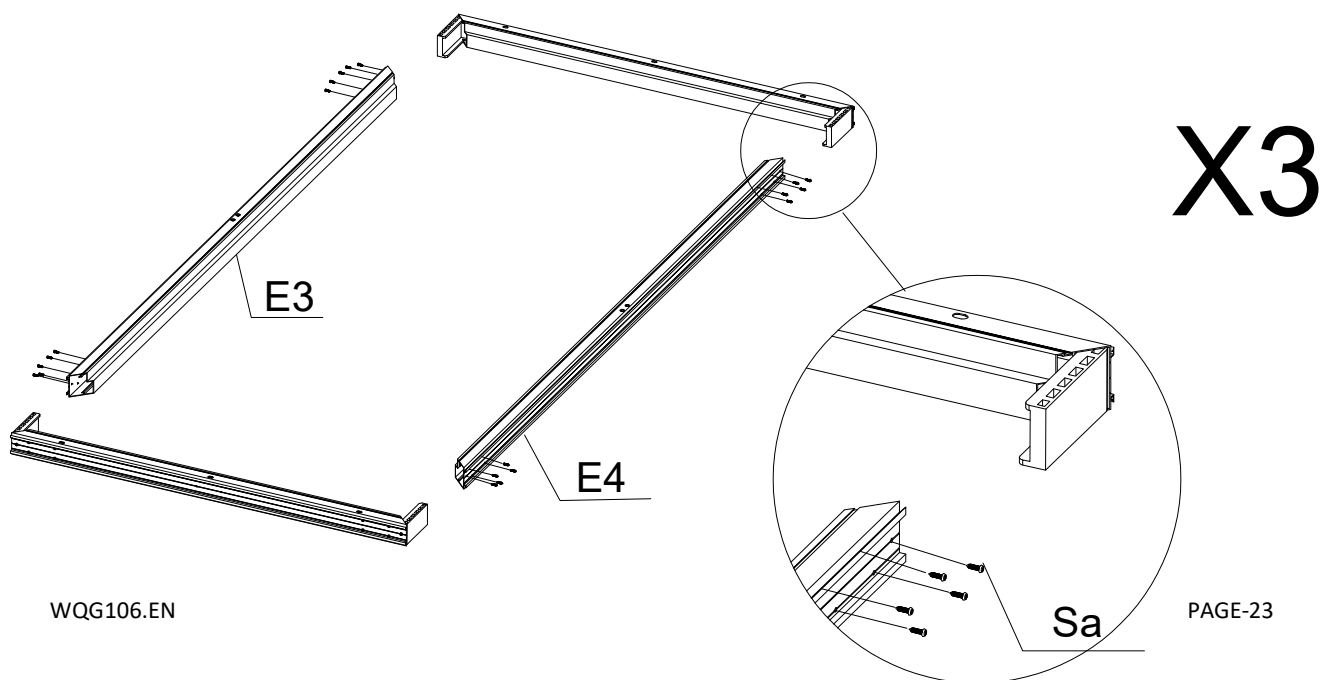
#### NOTE:

Use 4 self-tapping nails at each end of the top rail (E1) or (Ea), leaving the outermost screw holes at both ends.



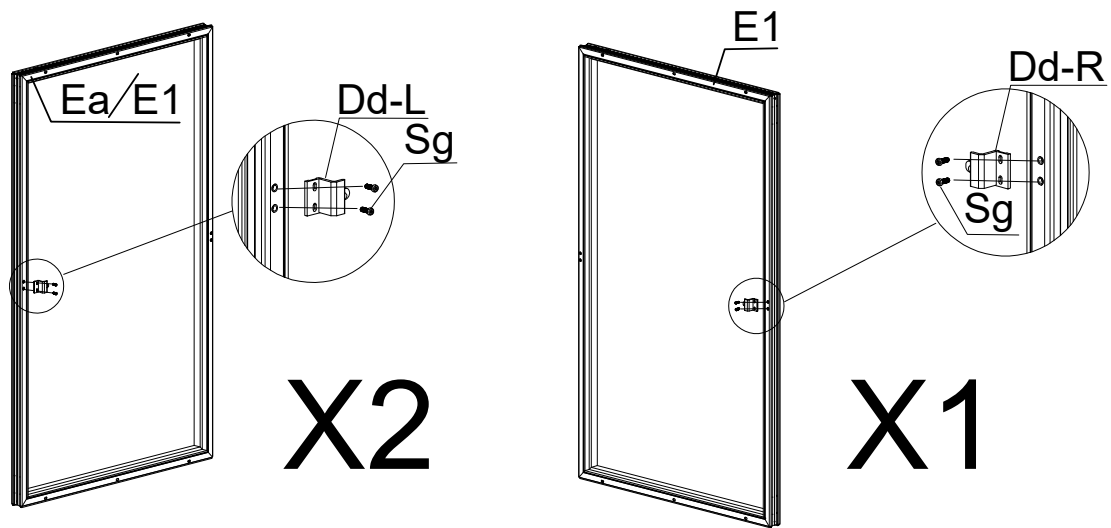
### STEP #34

As shown in the figure, use self-tapping screws (Sa) to fix (Nn) on both ends of the left jamb (E3) and right jamb (E4) respectively.



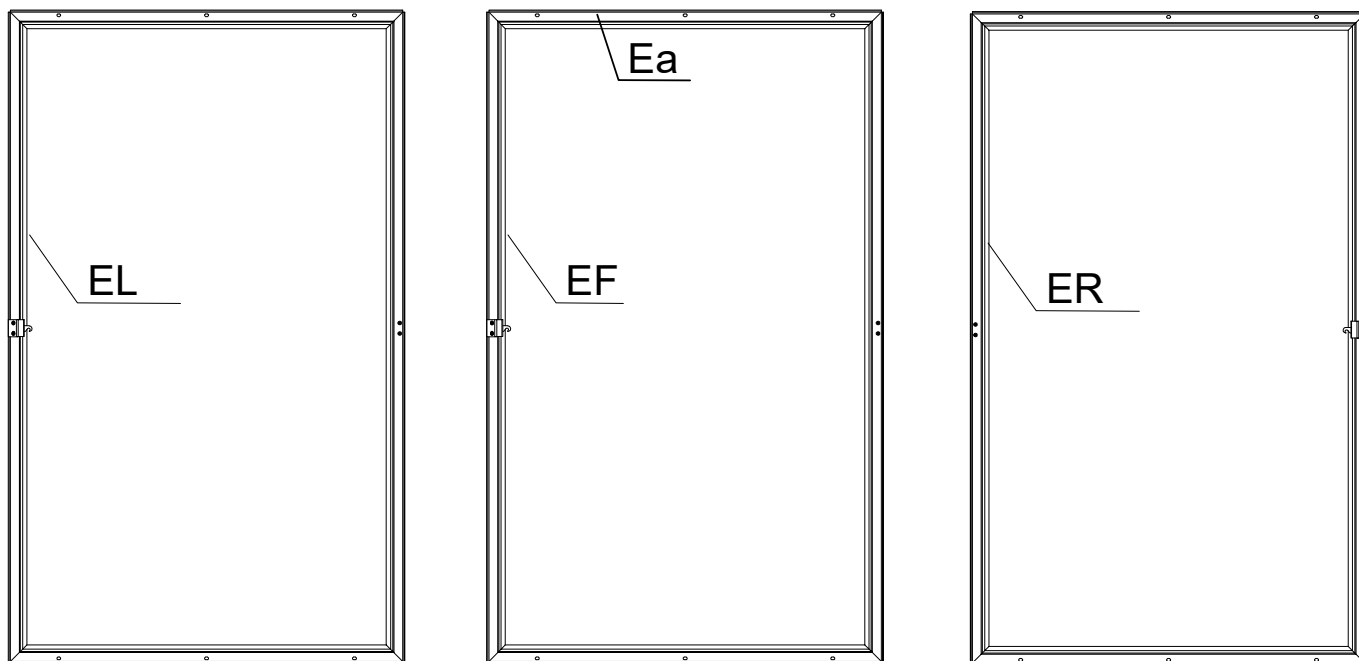
**STEP #35**

Fasten the left door latch (Dd-L) to the E frame left jamb (E3) with bolt (Sg), and assemble twice.  
Fasten the right door latch (Dd-R) to the E frame right jamb (E4) with bolt (Sg).



**STEP #36**

Complete the assembly of one EL door, one EF door and one ER door as shown in the figure.

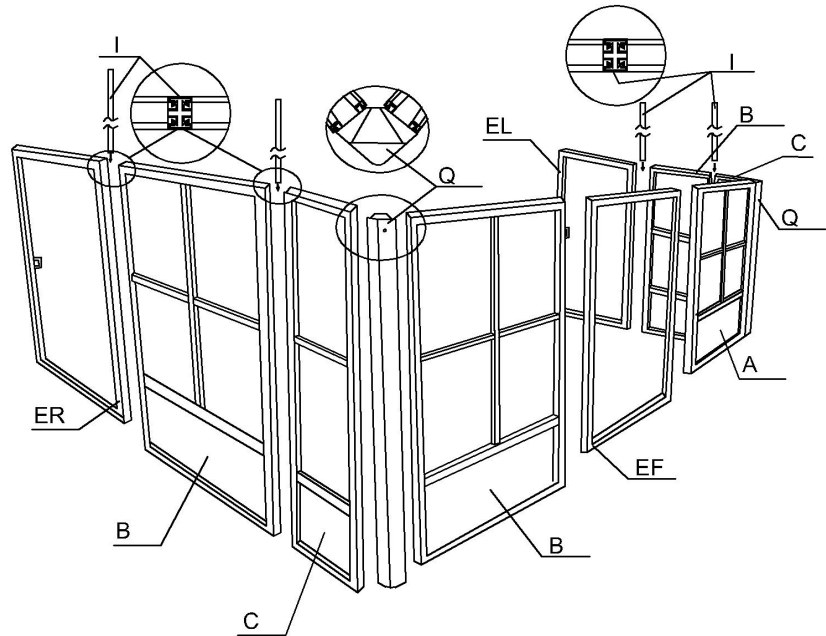


### **STEP #37**

Decide the position of the door frames before assembly according to where you intend to slide the door. At the front of the solarium, use frame ER,EF and EL for the opening of the door and B for the direction of the door when open. Ensure frames C are at the front of the sides. Use I between frame ends and use two (2) Q joints for corners.

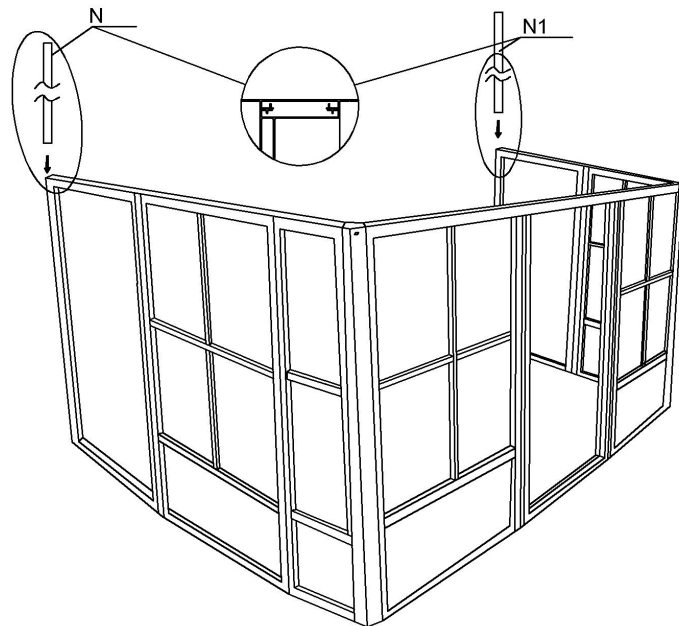
#### **NOTE:**

When placing the door frame opening, make sure the inserts on the frame are on the inside and on the upper half of the frame of the solarium because the door will be set on the inside due to clearance.



#### **NOTE:**

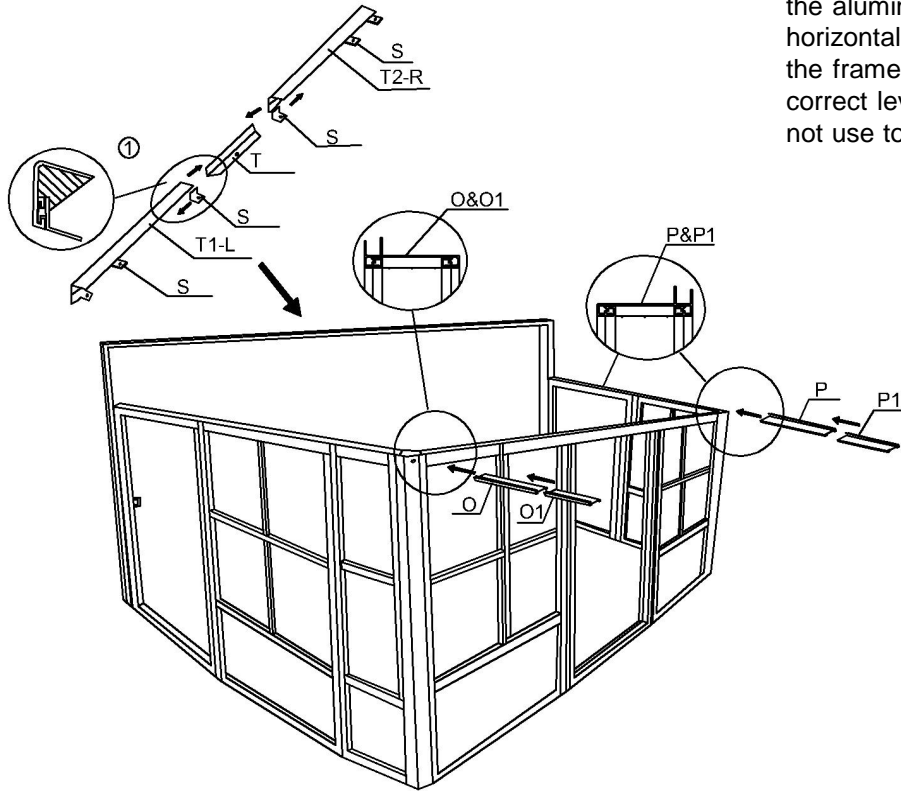
When sliding the connectors, shake the frame so that they will slide easily. Do not use tools to force. If needed, clean the paint with a file and make sure the ends of the frame and joints are not bent or warped. If so, use the needle-nosed pliers to straighten.



### **STEP #38**

Slide the vertical guides N left and N1 right into the 2 ends of the frames along the grooves, shaking while sliding for easier movement.

**ASSEMBLE PIECES BEFORE SCREWING THEM TO THE WALL**



**STEP #39**

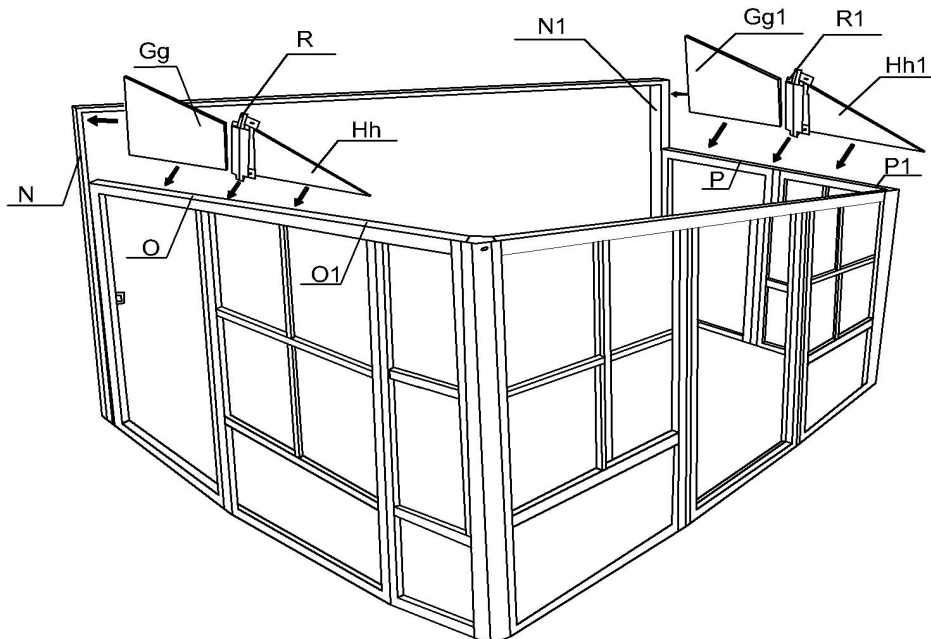
Assemble T1-L, S, T and T2-R as shown and position evenly above vertical guides, at 96" from the ground. Secure wall track and vertical tracks to brick or cement wall by drilling through the aluminum and using screws Sd. Insert the 4 horizontal guides, O, O1, P and P1 at the top of the frame. Make sure the 4 frames are at the correct level, if not, use shims to compensate. Do not use tools to force.

**NOTE:**

Once the wall track is in place, apply silicon along the top of the wall track and at the joint of the two tracks. **Silicon is not supplied.**

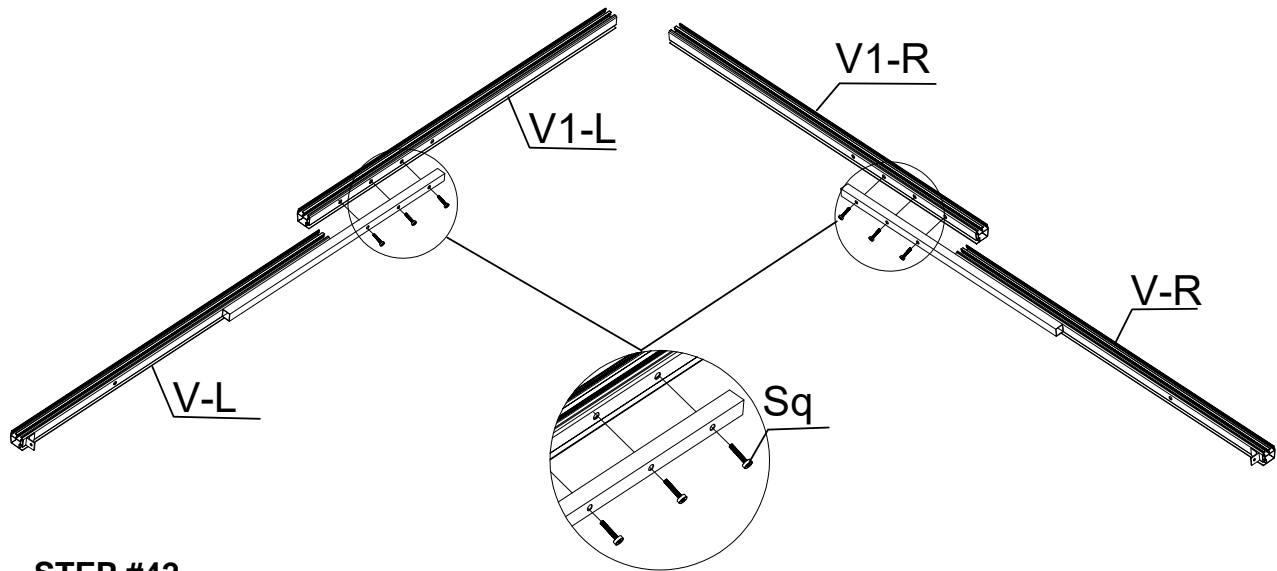
**STEP #40**

Set polycarbonate exposed side on the outside over horizontal left guide O and O1, use one (1) Gg panel, one (1) R joint and one (1) Hh panel, then do the right side with one (1) Gg1 panel, one (1) R1 joint and one (1) Hh1 panel over the P and P1 horizontal panel. Secure R and R1 to O and P respectively with self-tapping screws (Sa).



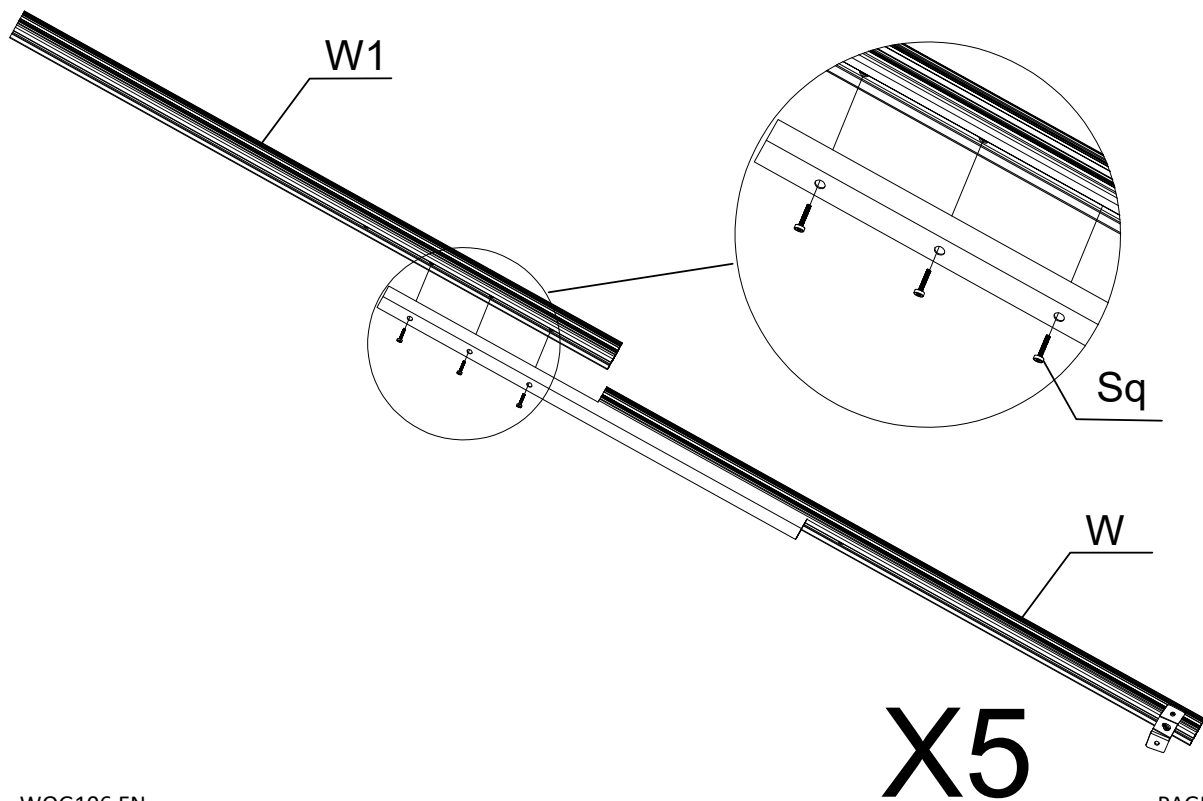
**STEP #41**

As shown in the figure, V1-L and VL are assembled with screw Sq, and V1-R and VR are assembled with screw Sq.



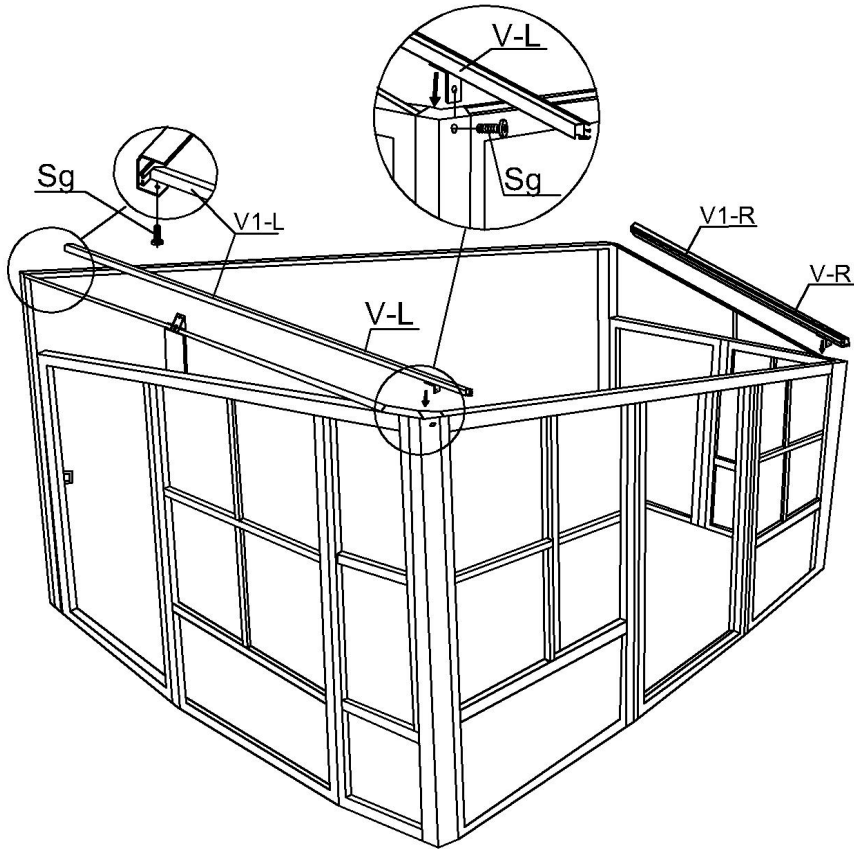
**STEP #42**

As shown in the figure, W and W1 are assembled with the screw Sq, and a total of five sets are assembled.



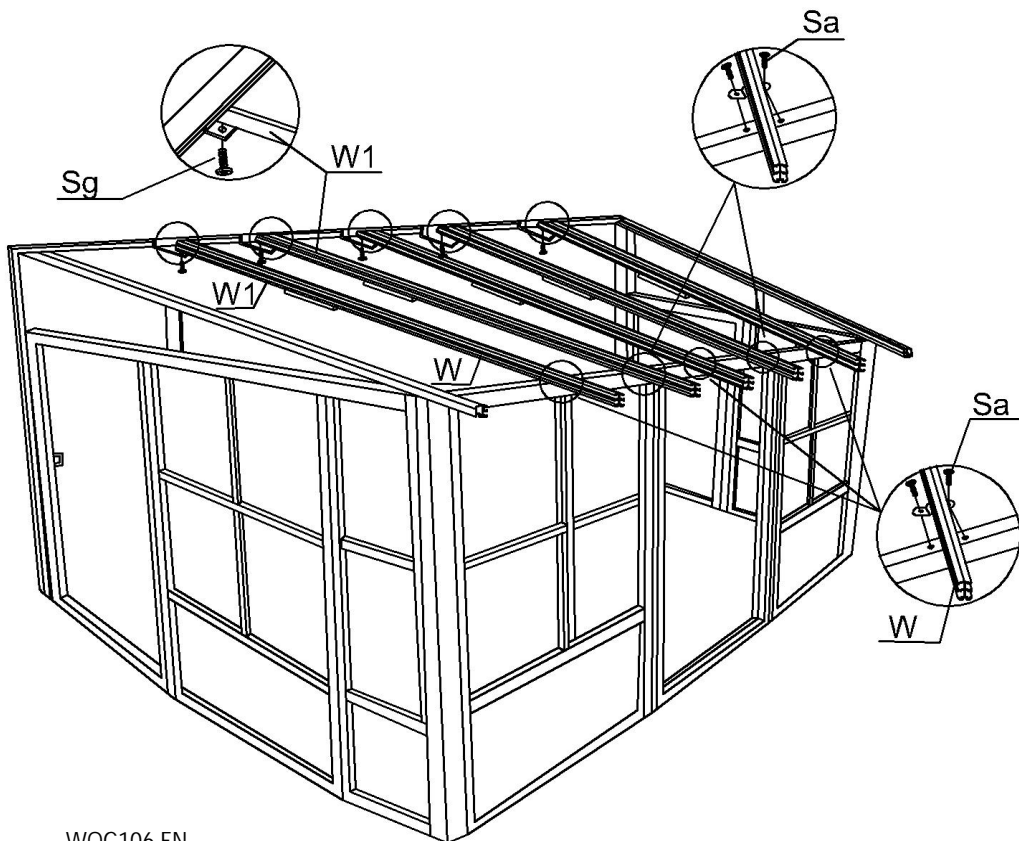
### **STEP #43**

Set left rafter V1-L and V-L over the last bracket then secure it with Sg screw and continue screwing through joint Q with the Sg screw. Repeat on the right side with rafter V1-R and V-R.



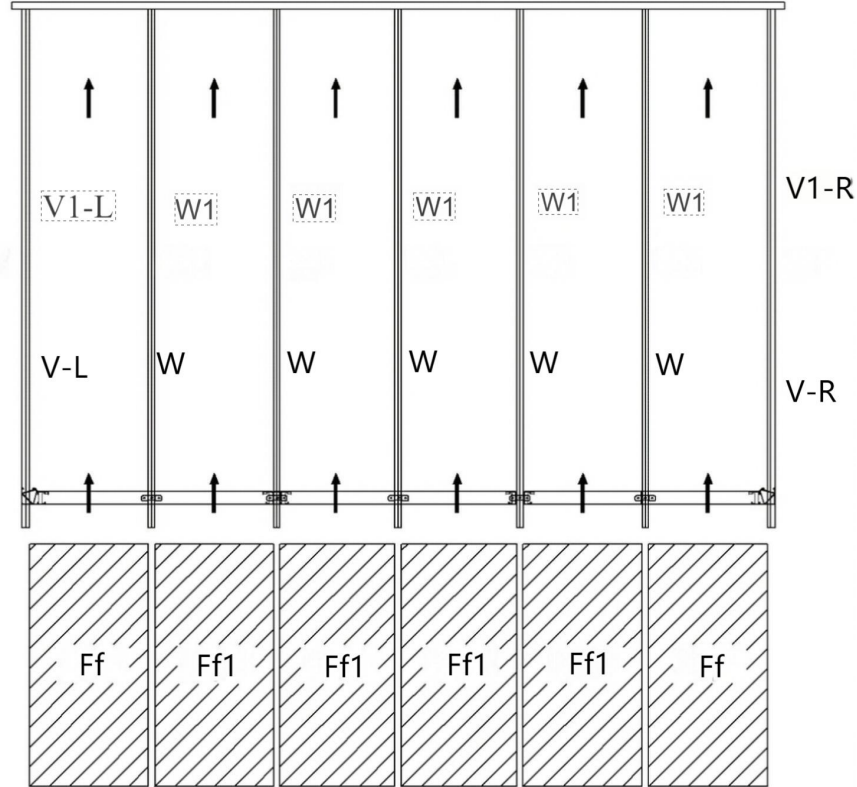
### **STEP #44**

Set W and W1 rafters over the middle of each panel with Sg screws at the top and two (2) Sa screws over the brackets on the frame manually. Do not use the power drill.



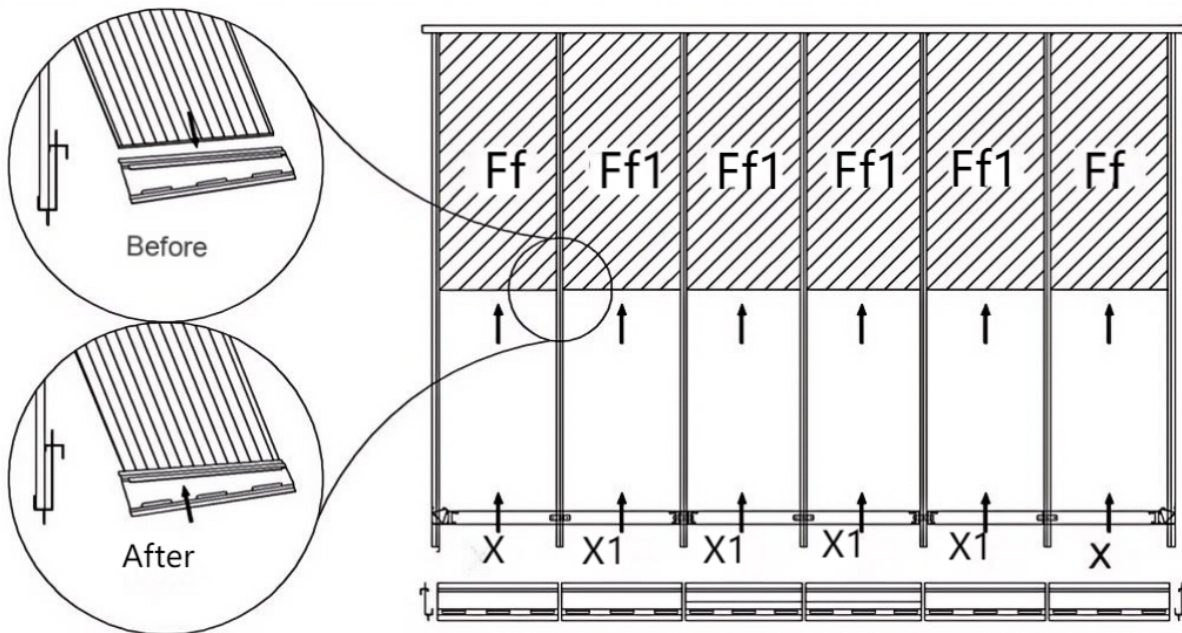
## STEP #45

Remove the protective film from two (2) sides of each panel and make sure the top side of the panel faces the sunlight. Insert and slide on the top groove of the rafters all the way to the end. Ff should go first and last with the Ff1 panels in between.



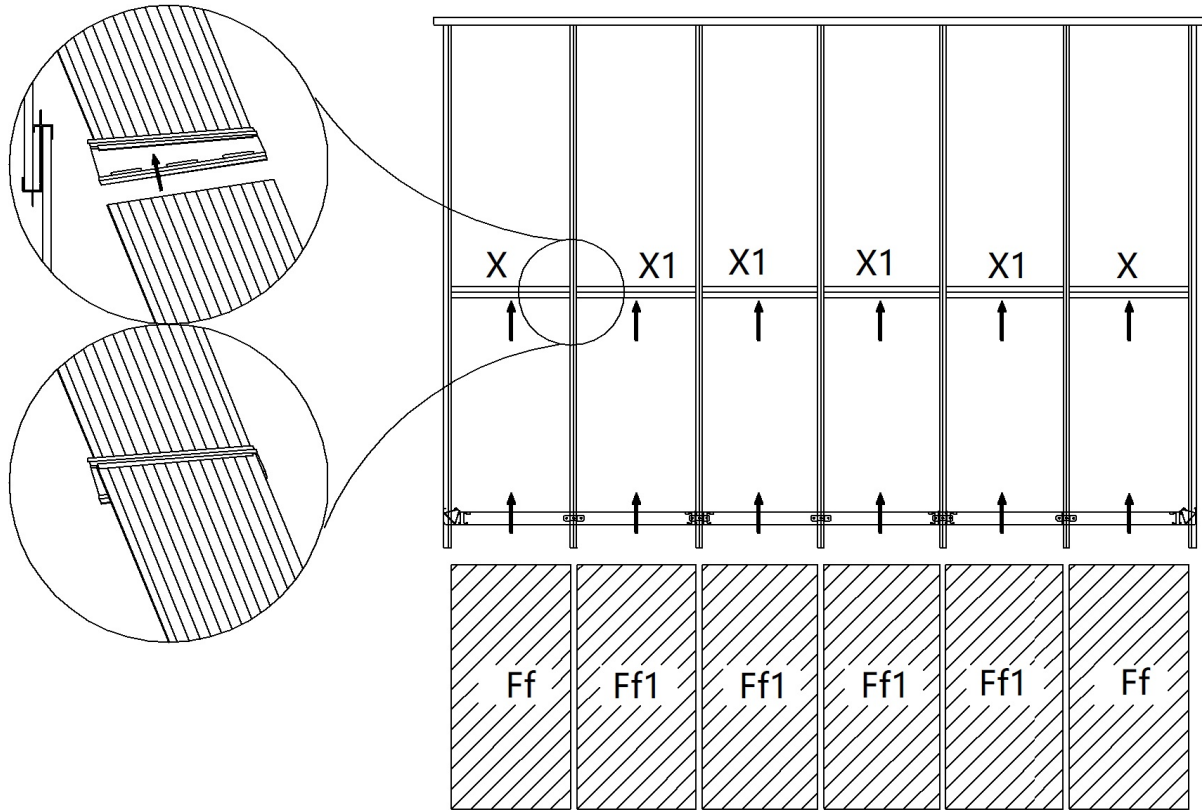
## STEP #46

Insert the aluminum middle roof joint between the rafters, making sure the slotted holes are at the bottom. Slide into upper and lower grooves of the rafters then slide all the way into the panels. Make sure the panels are inside the aluminum middle roof joint groove. Insert an X at either end, then insert all X1 and then the remaining X. Tap gently with the rubber mallet if needed.



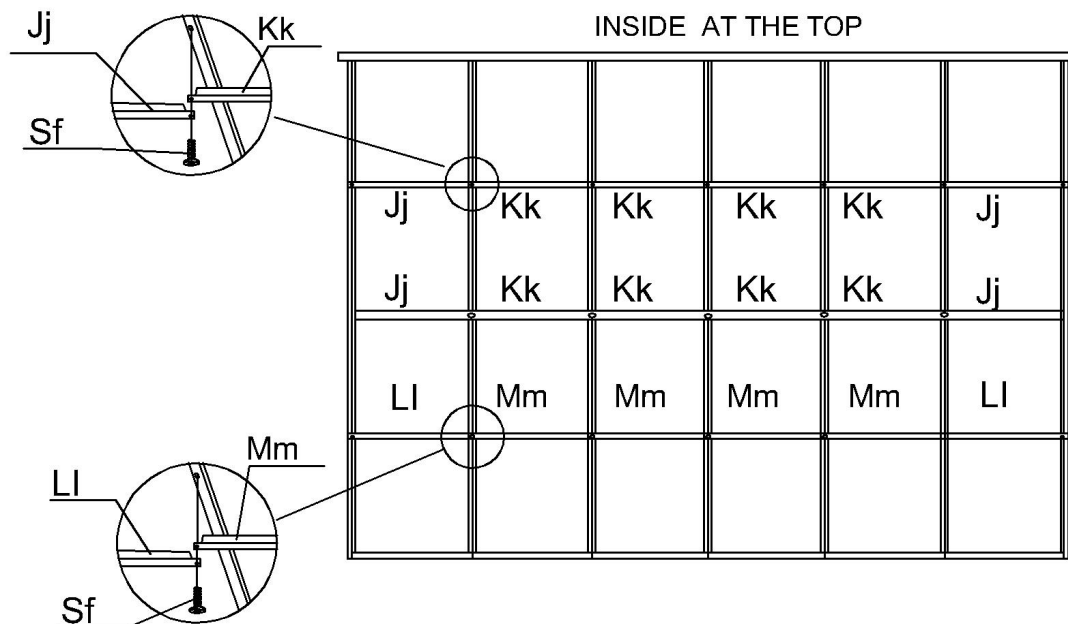
## STEP #47

Insert the second row of panels into the lower groove on the rafter. Slide panels until they reach the aluminum pieces between the panels and gently tap on the panel to guide it into the aluminum groove. Use a spatula if needed to make it fit. Insert two (2) Ff on either end, then insert the Ff1 panels.



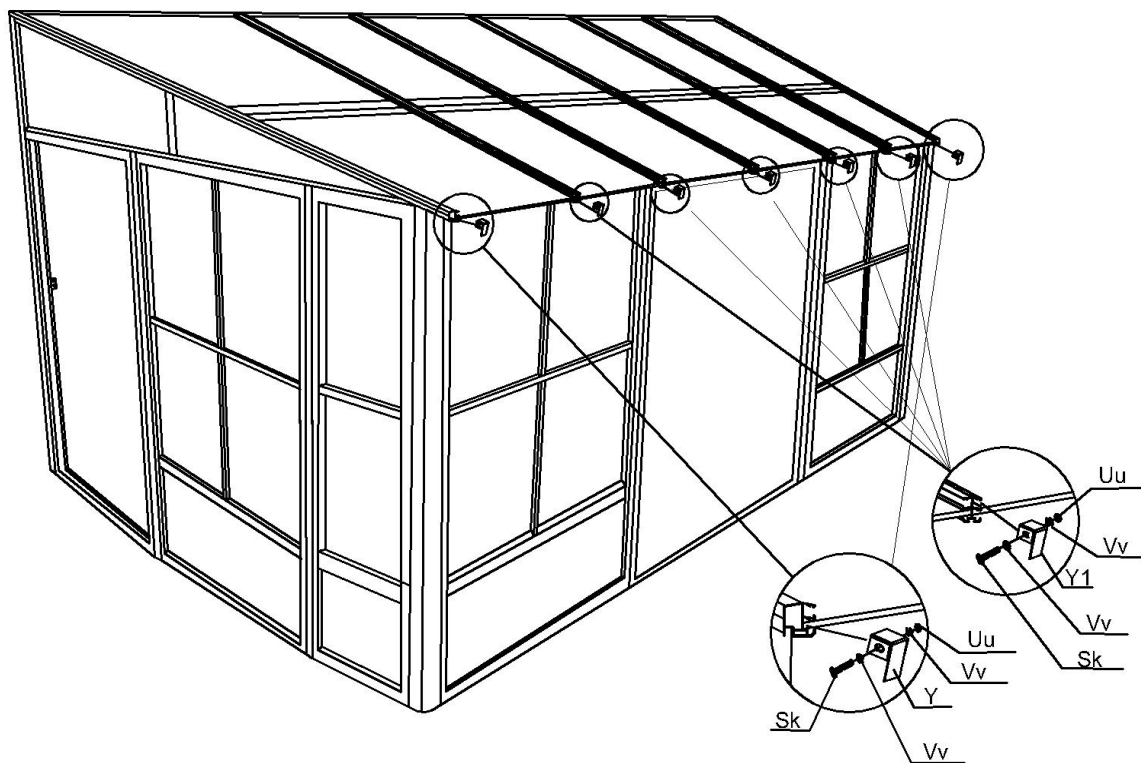
## STEP #48

On the inside of the solarium, beneath each rafter, there are two rows of threaded inserts and one crossbeam in two pieces. Start the upper row with a Jj at either end and Kk between panels, screwing them in place with Sf. Use Sf screws for the lower row Ll at the 2 ends and Mm between panels. Lastly, Assemble Jj and Kk, screwing them in place with Sf . Make sure screws are manually tight.



## STEP #49

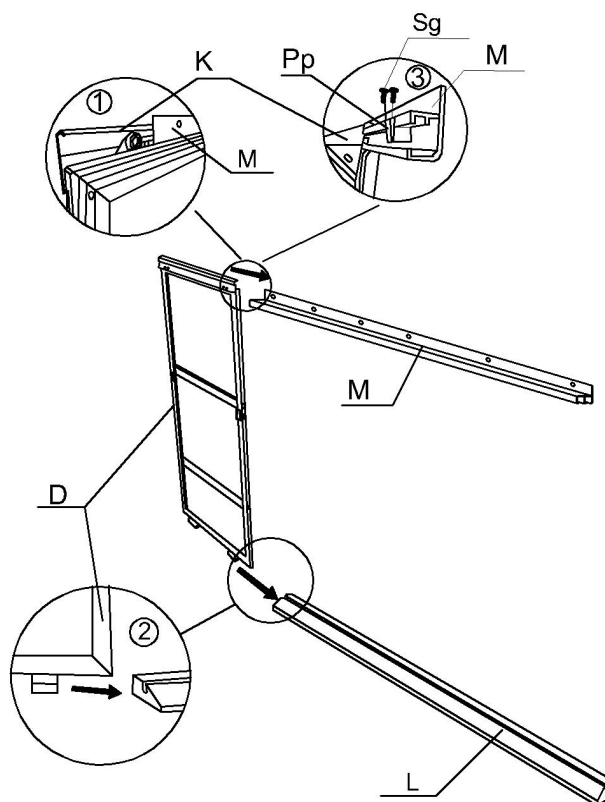
As shown, wrap the bottom ends of V-L and V-R with Y and secure them with screws Sk, gasket Vv and nut Uu. Wrap the bottom end of W with Y1 and fix it with screws Sk, gasket Vv and nut Uu.

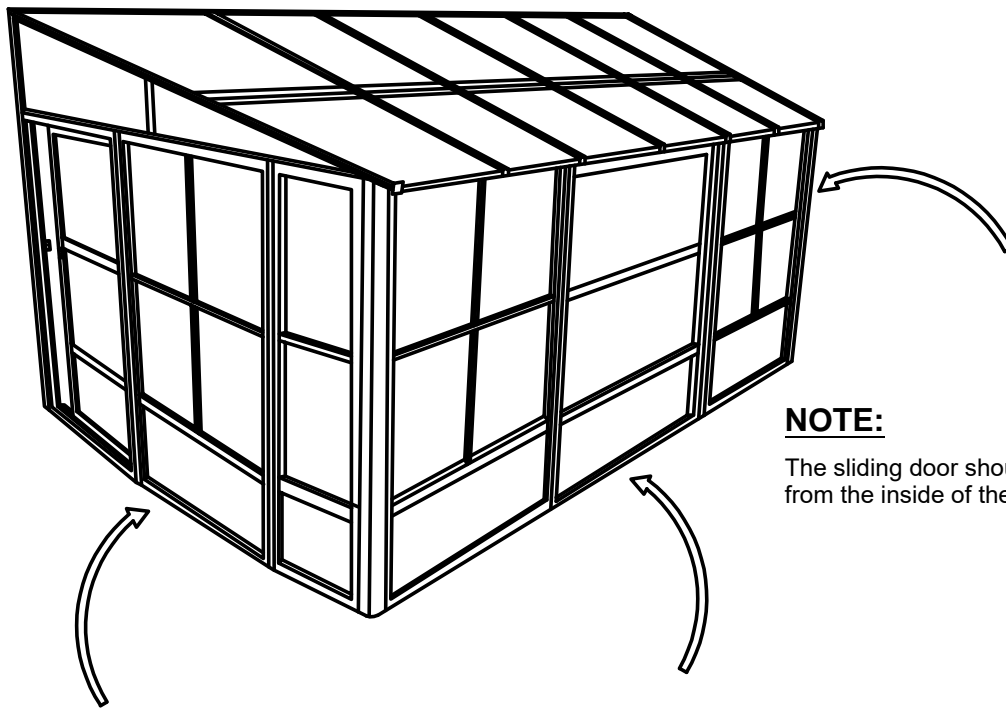


## STEP #50

**DOOR UNIT(S) MUST BE ASSEMBLED INSIDE OF SOLARIUM.**

Slide upper door track M into wheels of sliding door D. Slide lower door track L and make sure inserts are close enough to the frame to attach. Use bolt Sg to affix the plastic stopper Pp on each end of the top door rail M.



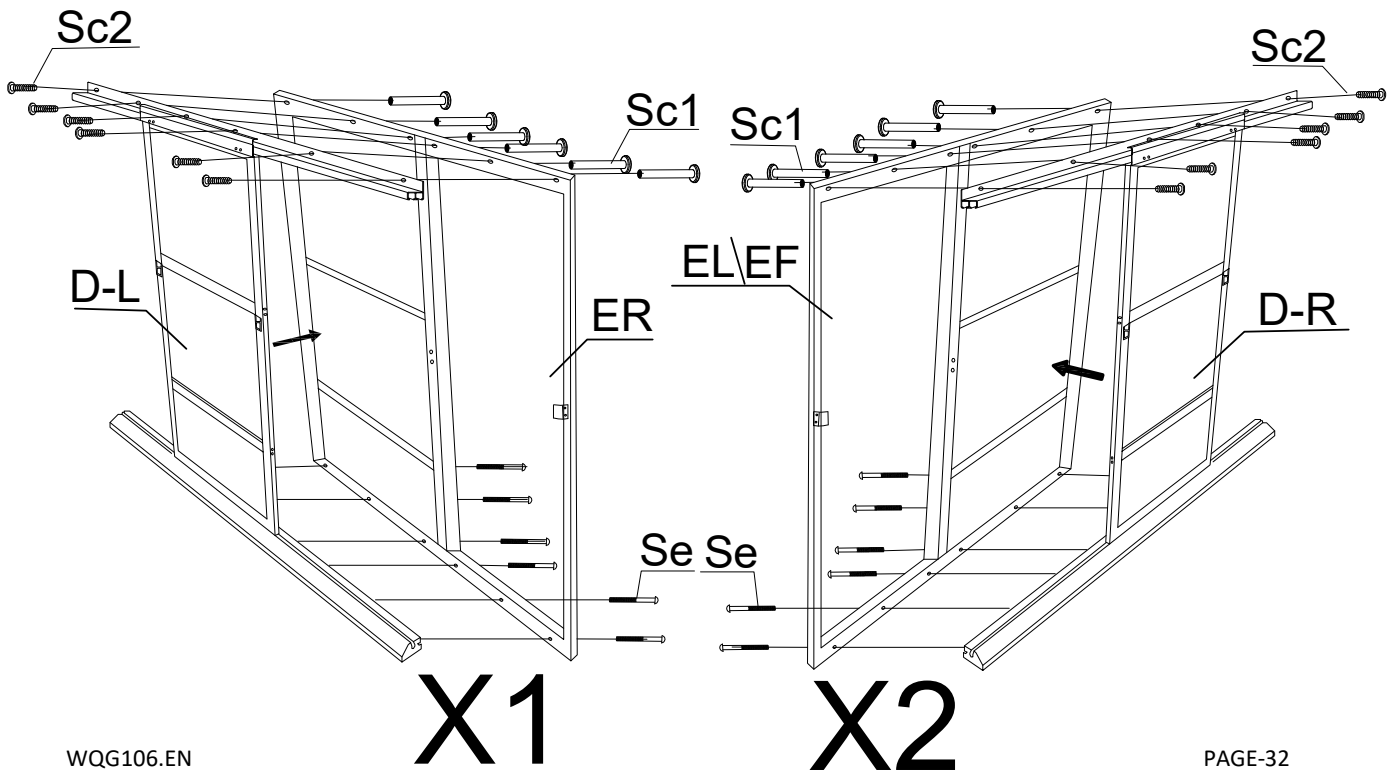


**NOTE:**

The sliding door should be installed from the inside of the solarium.

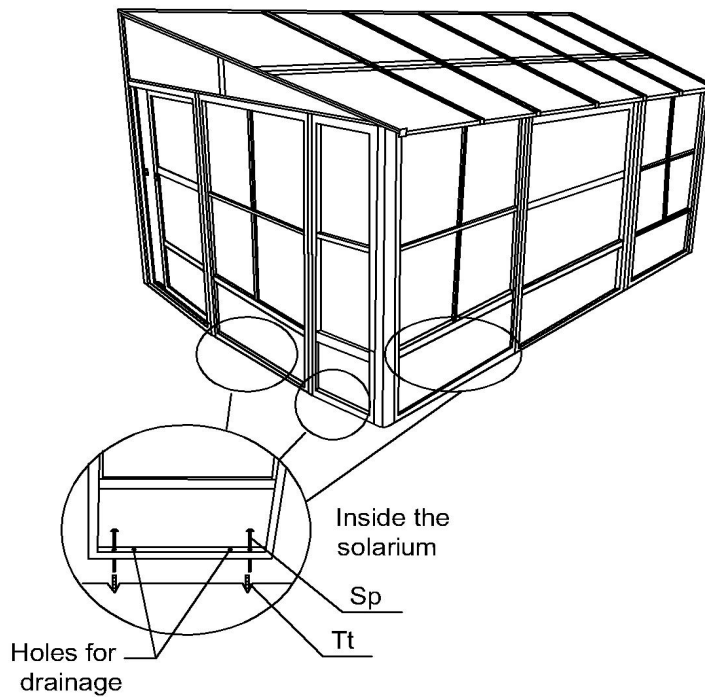
**STEP #51**

Lift the door and track the position inside of the solarium, then set it over the door opening by screwing at the top. First use bolts (Sc2) and washers (Vv) on the inside and female bolts (Sc1) on the outside for the top assembly. See the diagram below. Attach the lower track with bolts (Se) and washers (Vv).



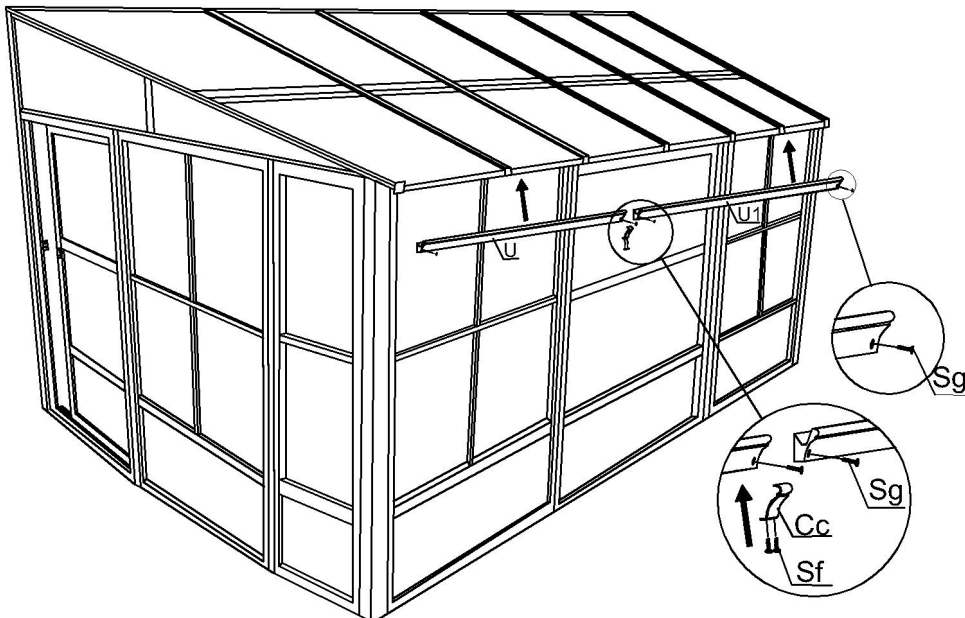
## **STEP #52**

Anchor the solarium to the deck or floor securely using screws and shields supplied. See diagram below.



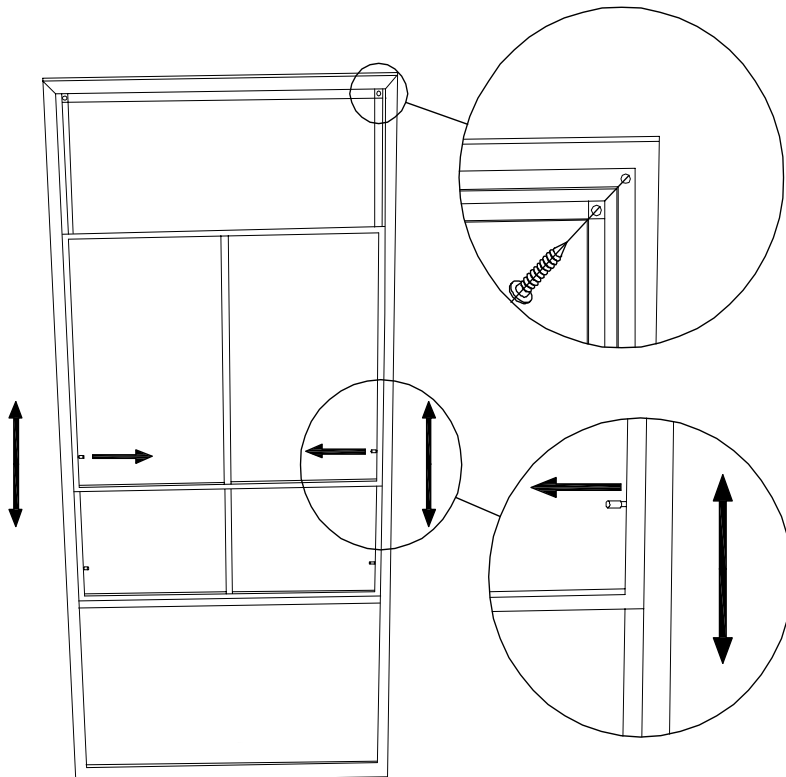
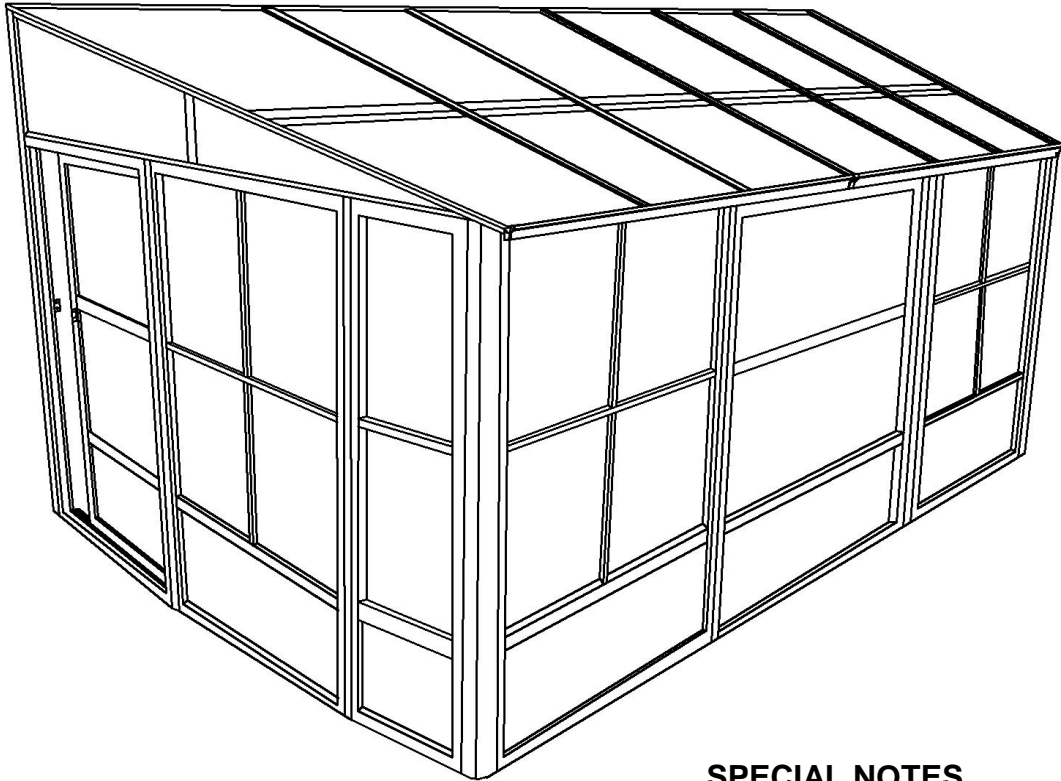
## **STEP #53**

As shown in the picture, fix the sinks U and U1 on the eave with four screws Sg, then cover Hh at the joint in the middle of the two sinks, and fix it with two screws Sf.



## **STEP #54**

The solarium installation is complete.



### **SPECIAL NOTES**

To remove a screen, remove the two (2) screws at the top of the frame then pull sideways to the opposite end of the handles to remove. To remove wind panels, push or pull to one side, making sure that the locking pin is not locked then remove panels gently, panels are easy to remove.

#### **NOTE:**

This unit is not waterproof. For best protection against rain, close the windows of each frame with the outside window in the center, and the inside window at the top.

#### **CLEANING INSTRUCTIONS:**

Use only mild or warm soapy water, not strong or abrasive cleaning products. Be sure to remove heavy snow and/or ice.

#### **WARNING:**

- 1) Do not use a BBQ or any other flammable product inside the solarium.
- 2) Remove snow from the roof.