

Loft Bed



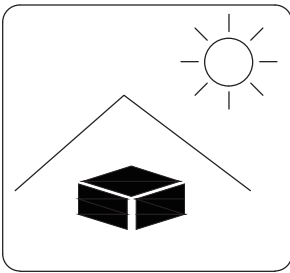
Package Contents

Plates and iron components

Assembly tool kit

Instruction manual

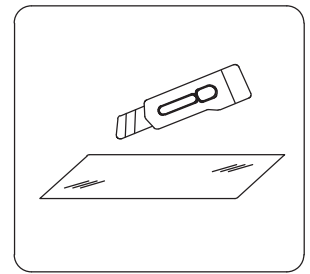
Precautions



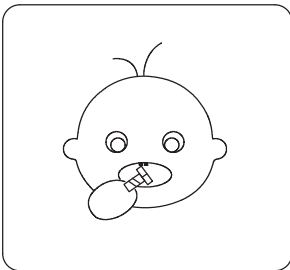
1. Avoid long-term direct sunlight exposure



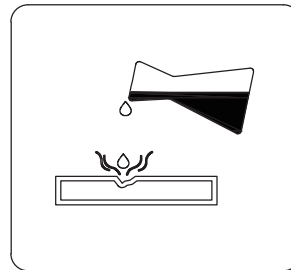
2. Stay away from fire



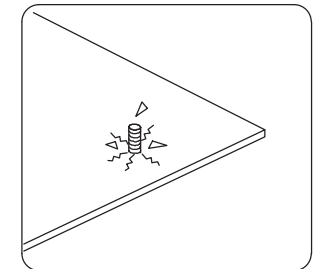
3. Keep away from sharp objects



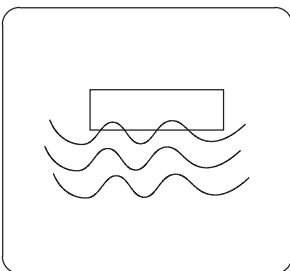
4. Keep infants/children away from assembly parts to avoid choking and suffocation.



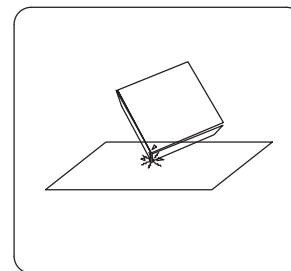
5. Keep away from corrosive substances



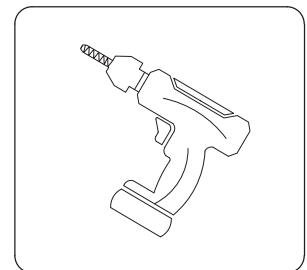
6. Please use the correct screws, otherwise the plate will be damaged.



7. Prevent objects from being damaged by immersion in water



8. Prevent object collision and damage



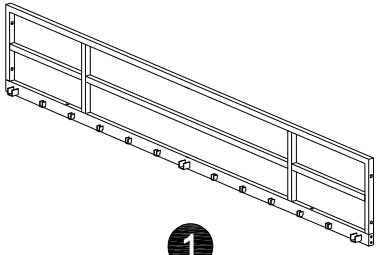
9. An electric drill is recommended for installation

Problems You May Encounter

PART	PROBLEM	SOLUTION
whole Product	Parts are missing, defective or having wrong parts in package.	You can contact us and we will get back to you within 24 hours
	Having issue(s) while reading the instruction or completing the assembly.	Feel free to contact us and we will get back to you within 24 hours.
	Encountering non-human caused damage during usage.	If the product is damaged due to non-human causes, please keep the product and send us photos of it. We will ascertain the cause of the product damage within 48 hours and provide you with a satisfactory solution.
Table Surface	Board Surface is broken, scratched or lack of some screw holes.	Feel free to contact us and we will get back to you within 24 hours.
	The screw holes on the wooden board and other wooden boards are not aligned.	<ol style="list-style-type: none"> 1. Please tighten the screws on the board by 70%, do not tighten completely. 2. Adjust the wooden board and board. Until the holes are arranged neatly, then tighten all screws
	Desktop misalignment and unevenness	<ol style="list-style-type: none"> 1. Please tighten the screws connecting the table board to the elevator by 70%, do not tighten them completely. 2. Adjust to a flat and aligned desktop, then tighten the screws. 3. If your problem still can't be solved, please feel free to contact us.
Metal accessories	Metal accessories are damaged, rusted, bent, and broken.	Feel free to contact us and we will get back to you within 24 hours.
	The table is unstable after being assembled.	<ol style="list-style-type: none"> 1. Check if the screws are tightened. 2. Read throughout the manual, check if there are any parts installed incorrectly or some parts are missed to be installed. 3. If the problem still can't be solved, please feel free to contact us.
	Encountering non-human caused damage during usage.	If the product is damaged due to non-human causes, please keep the product and send us photos of it. We will ascertain the cause of the product damage within 48 hours and provide you with a satisfactory solution.

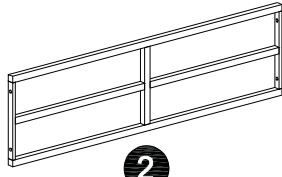
Install parts

PARTS LIST



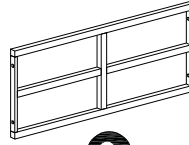
1

x2



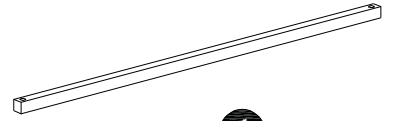
2

x1



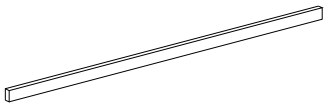
3

x1



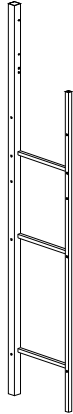
4

x3



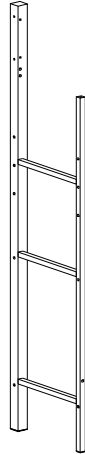
5

x10



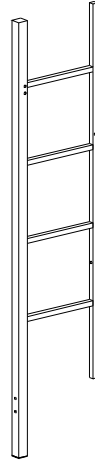
6

x1



7

x1



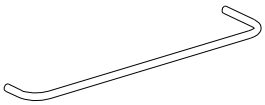
8

x1



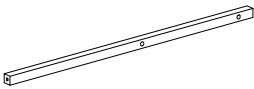
9

x1



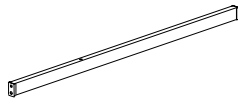
10

x1



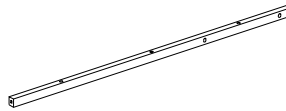
11

x1



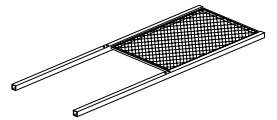
12

x1



13

x4



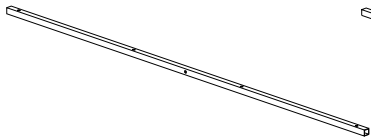
14

x1



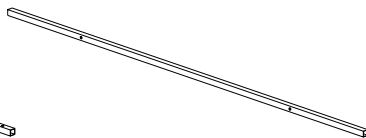
15

x2



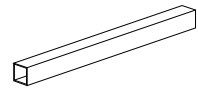
16

x2



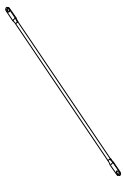
17

x1



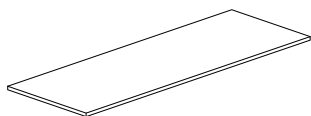
18

x1



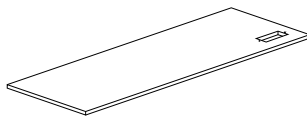
19

x2



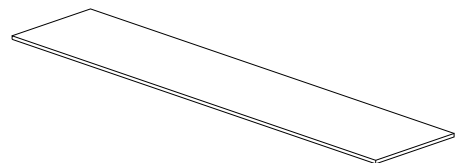
20

x1



21

x1



22

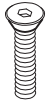
x1

HARDWARE LIST



A

M6*15
x12+1



B

M6*40
x4



C

M6*12
x3



D

M6*25
x14+1



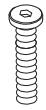
E

M6*28
x17+1



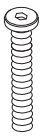
F

M6*30
x2



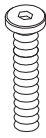
G

M6*40
x20+1



H

M6*60
x11+1



I

M8*60
x12+1



J

4*12
x2



K

M8*55
x2



L

φ18*9
x21+2



M

M4*10
x6+1



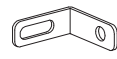
N

M6
x1



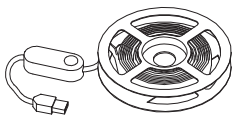
O

x1



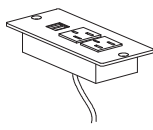
P

x2



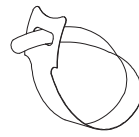
Q

x1



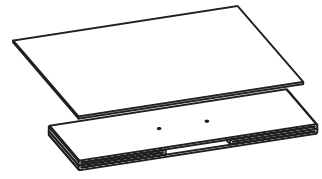
R

x1



S

x3



T

x3



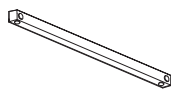
U

x3



V

x1



W

x6

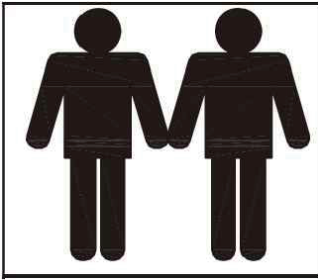


X

x1

Note:

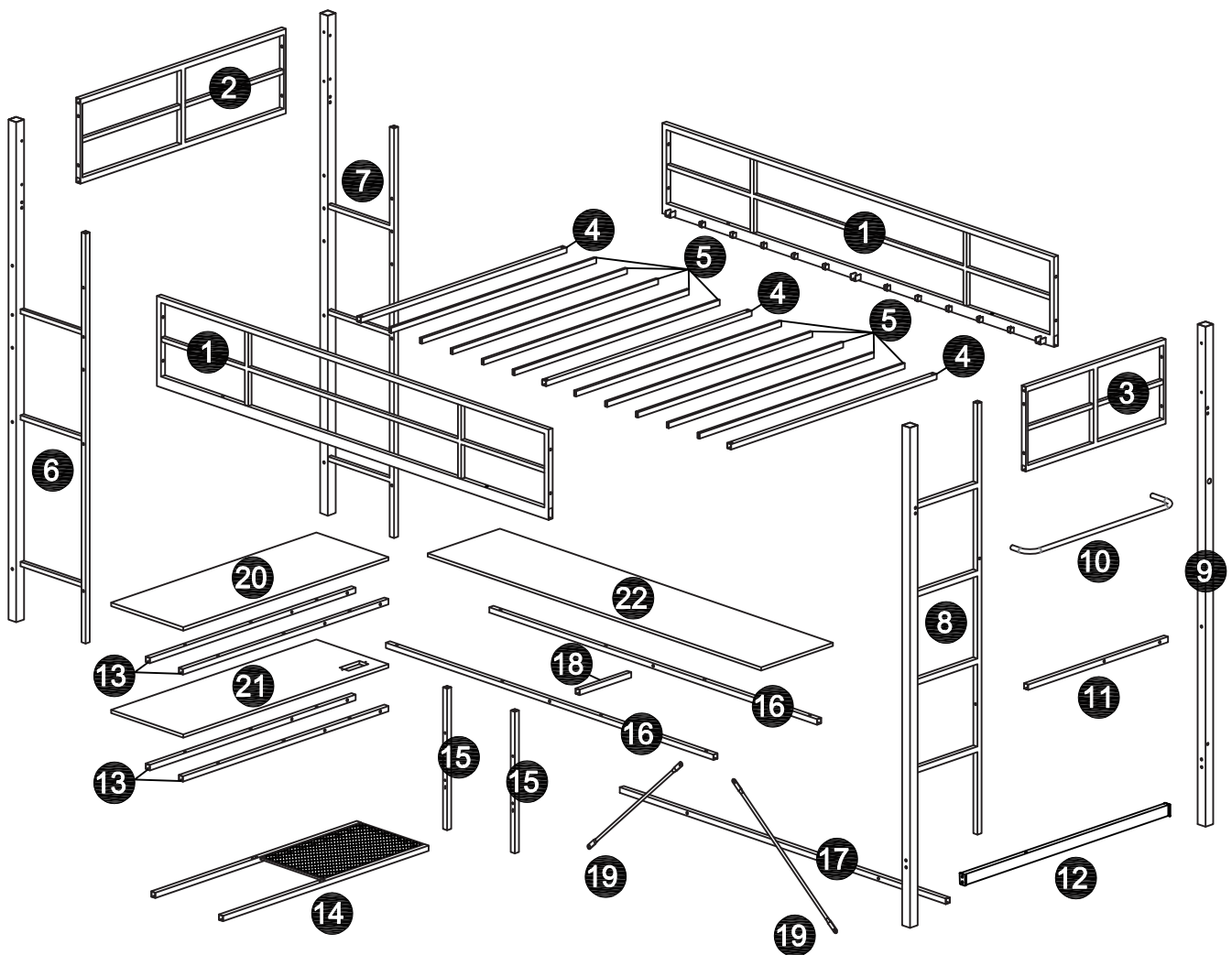
- 1. Should be assembled on flat ground to keep balance.**
- 2. Before completing the installation, do not tighten the screws.**



It needs at least two people to install.

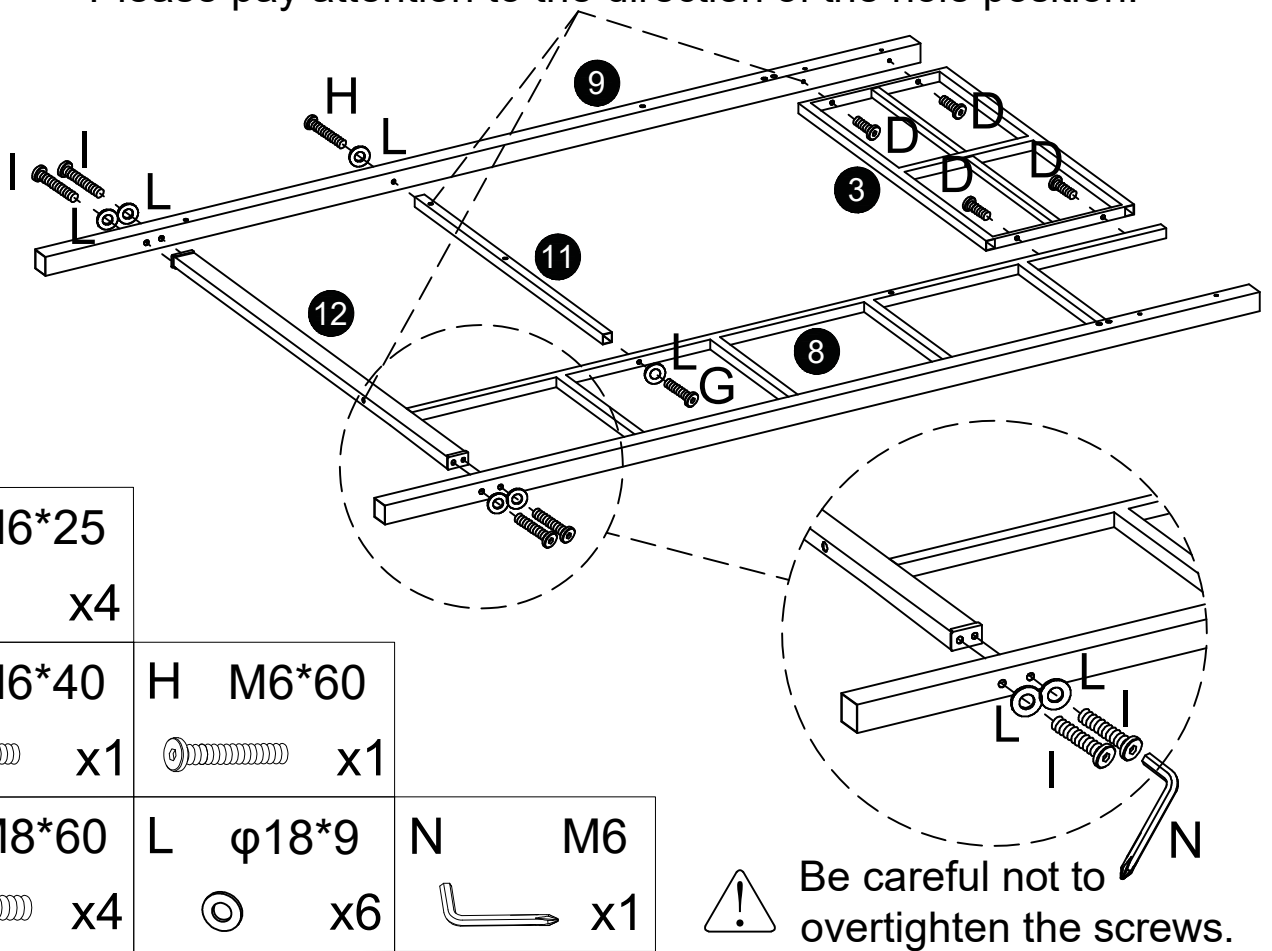


Before starting the assembly, you must read the whole manual and follow the instructions

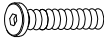


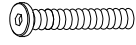
1

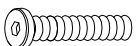
Please pay attention to the direction of the hole position.





D M6*25
 x4

G M6*40
 x1

H M6*60
 x1

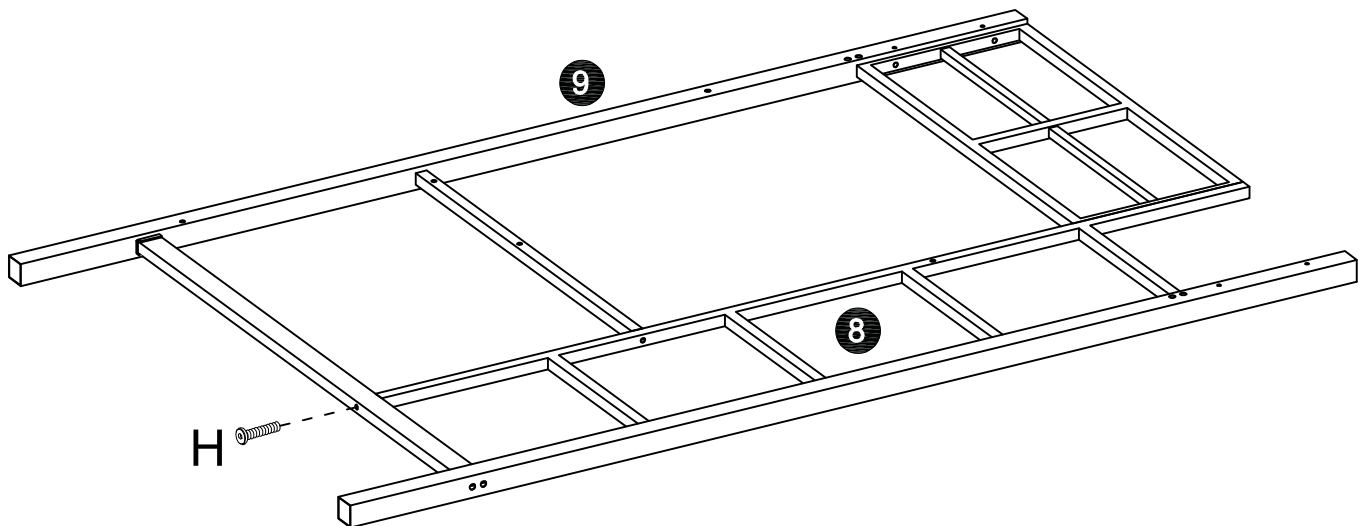
I M8*60
 x4


L $\phi 18*9$
 x6

N M6
 x1



Be careful not to overtighten the screws.

2

H M6*60
 x1

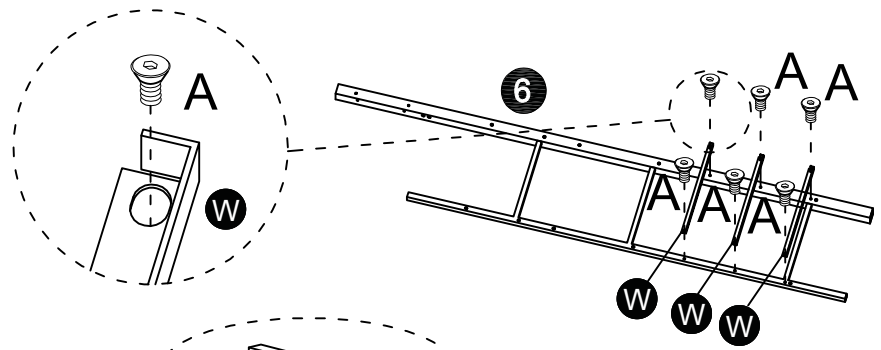
3

A M6*15

 x6

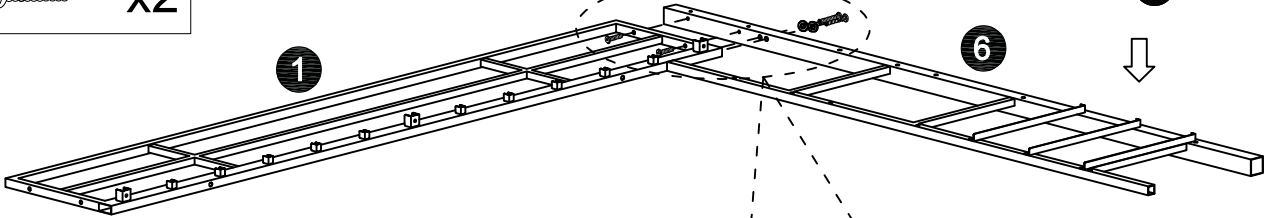
F M6*30

 x2



1

6




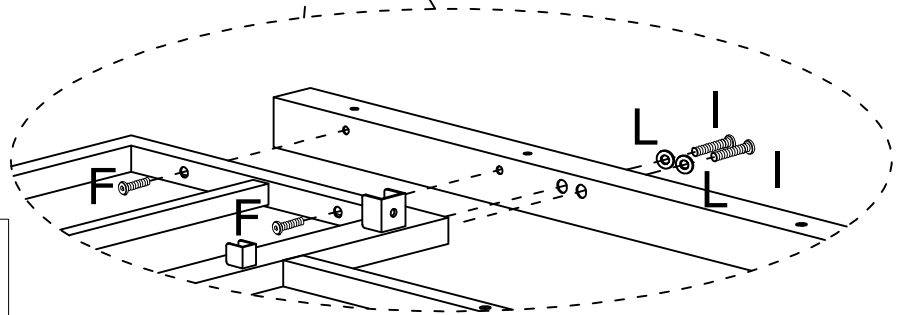
I M8*60

 x2

L $\phi 18*9$

 x2

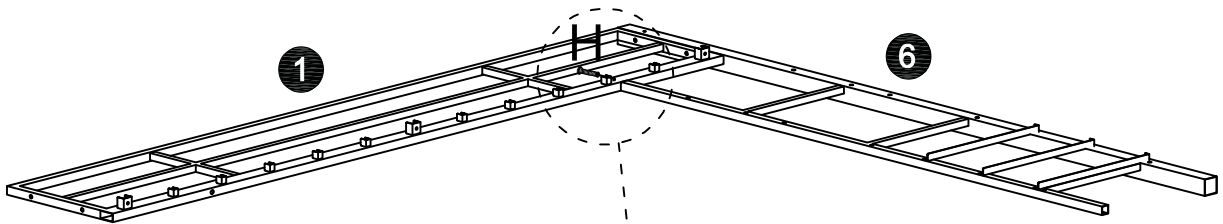
W  x3



4

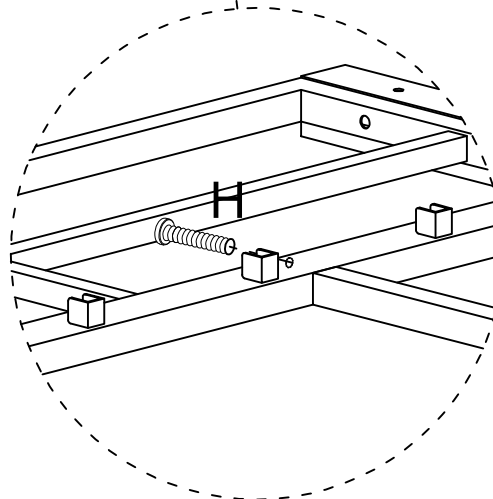
1

6

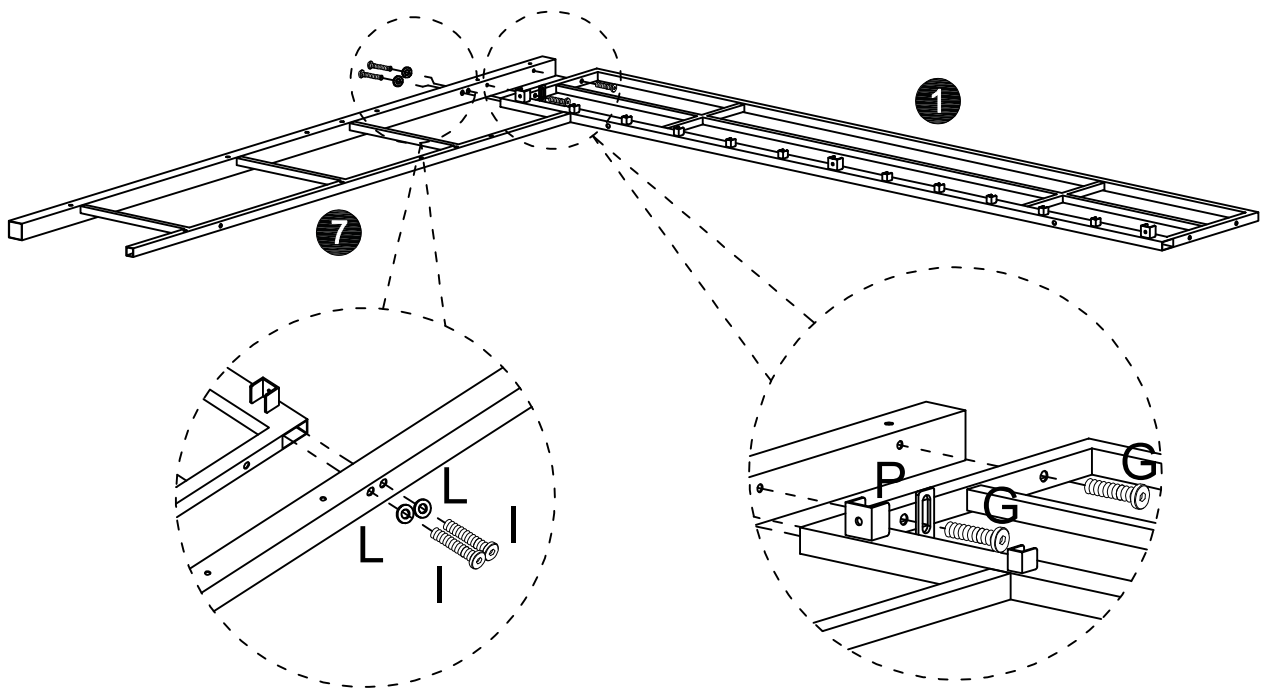





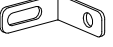
H M6*60

 x1

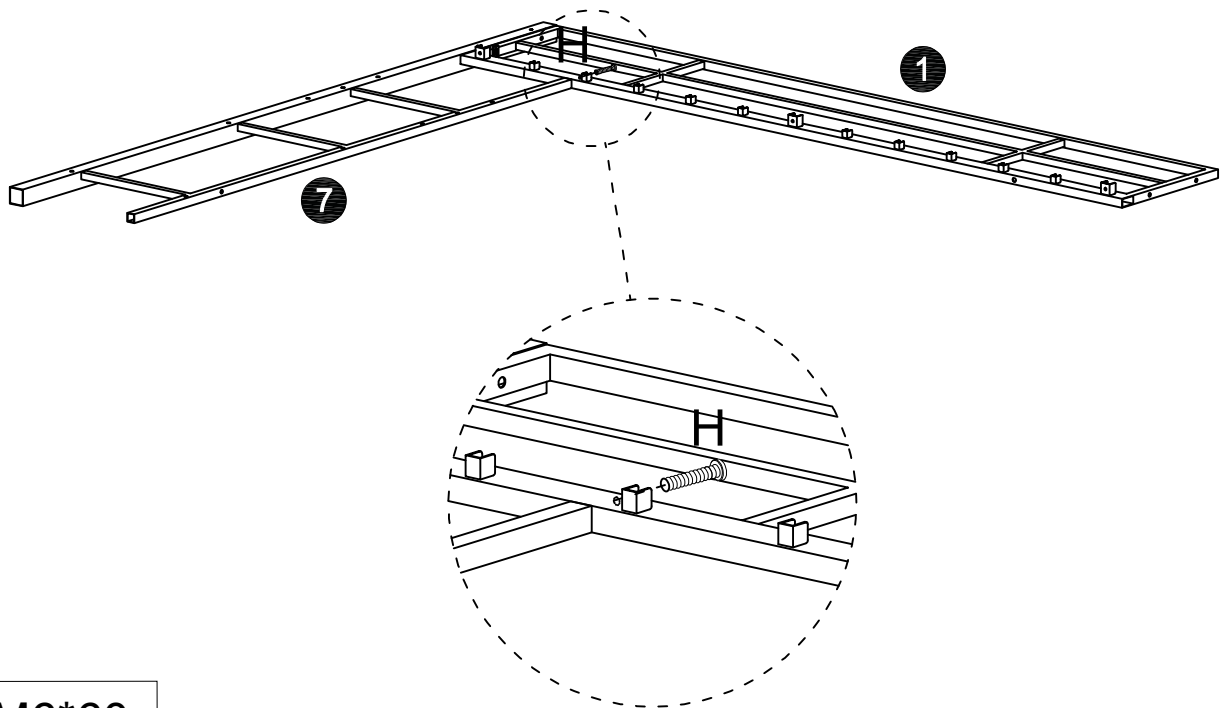


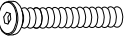
5



G	M6*40	I	M8*60	L	φ18*9	P	
	x2		x2		x2		x1

6



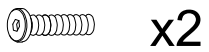
H	M6*60
	x1

7



Be careful not to overtighten the screws.

G M6*40



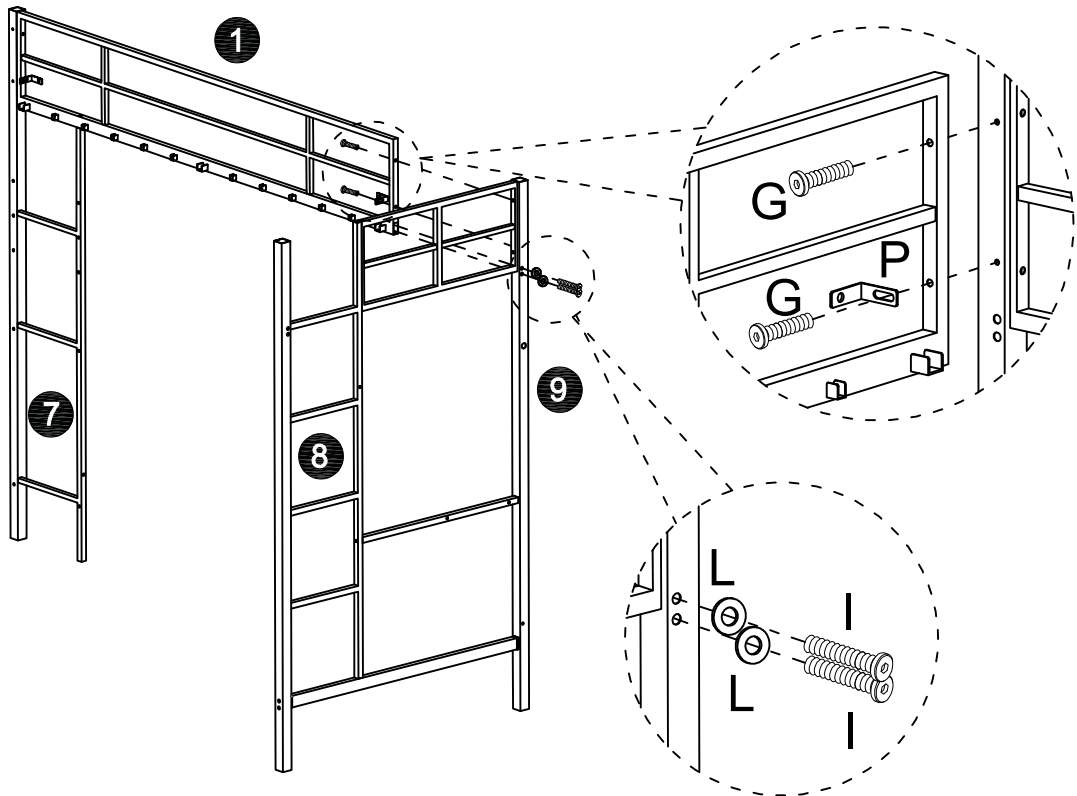
I M8*60



L φ18*9



P

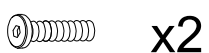


8



Be careful not to overtighten the screws.

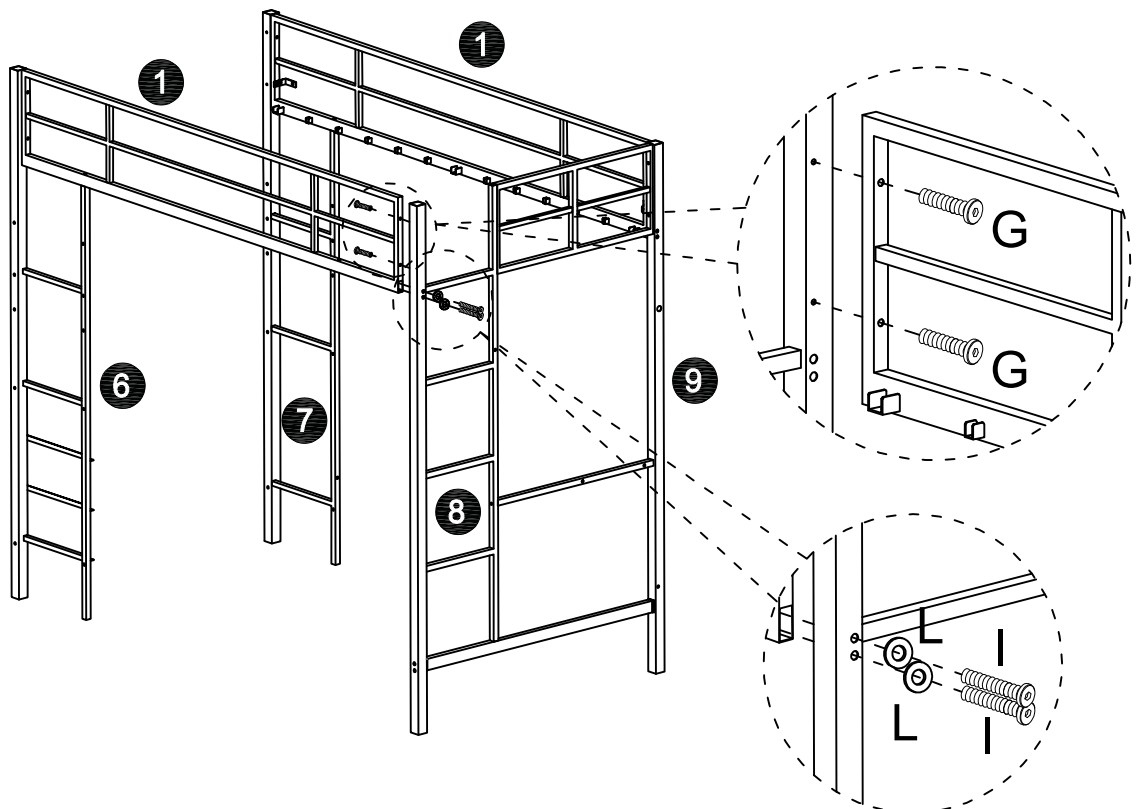
G M6*40



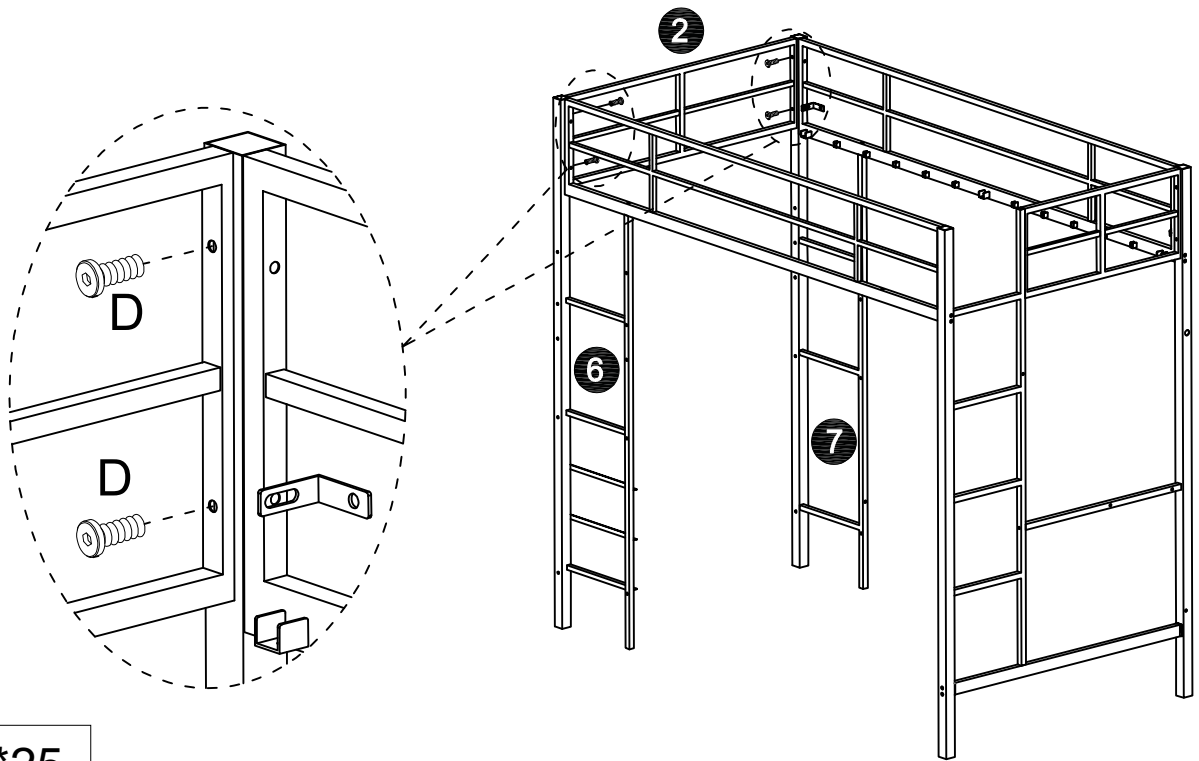
I M8*60



L φ18*9



9

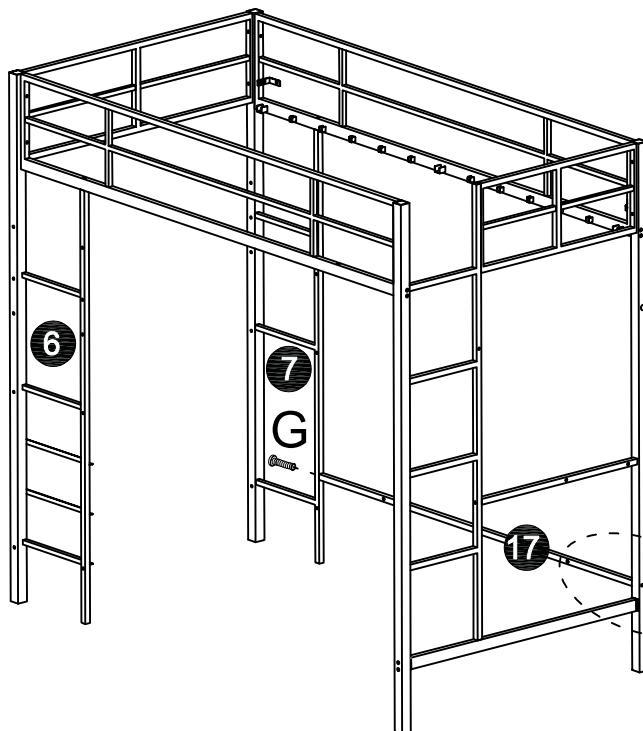


D M6*25
 x4



Be careful not to overtighten the screws.

10



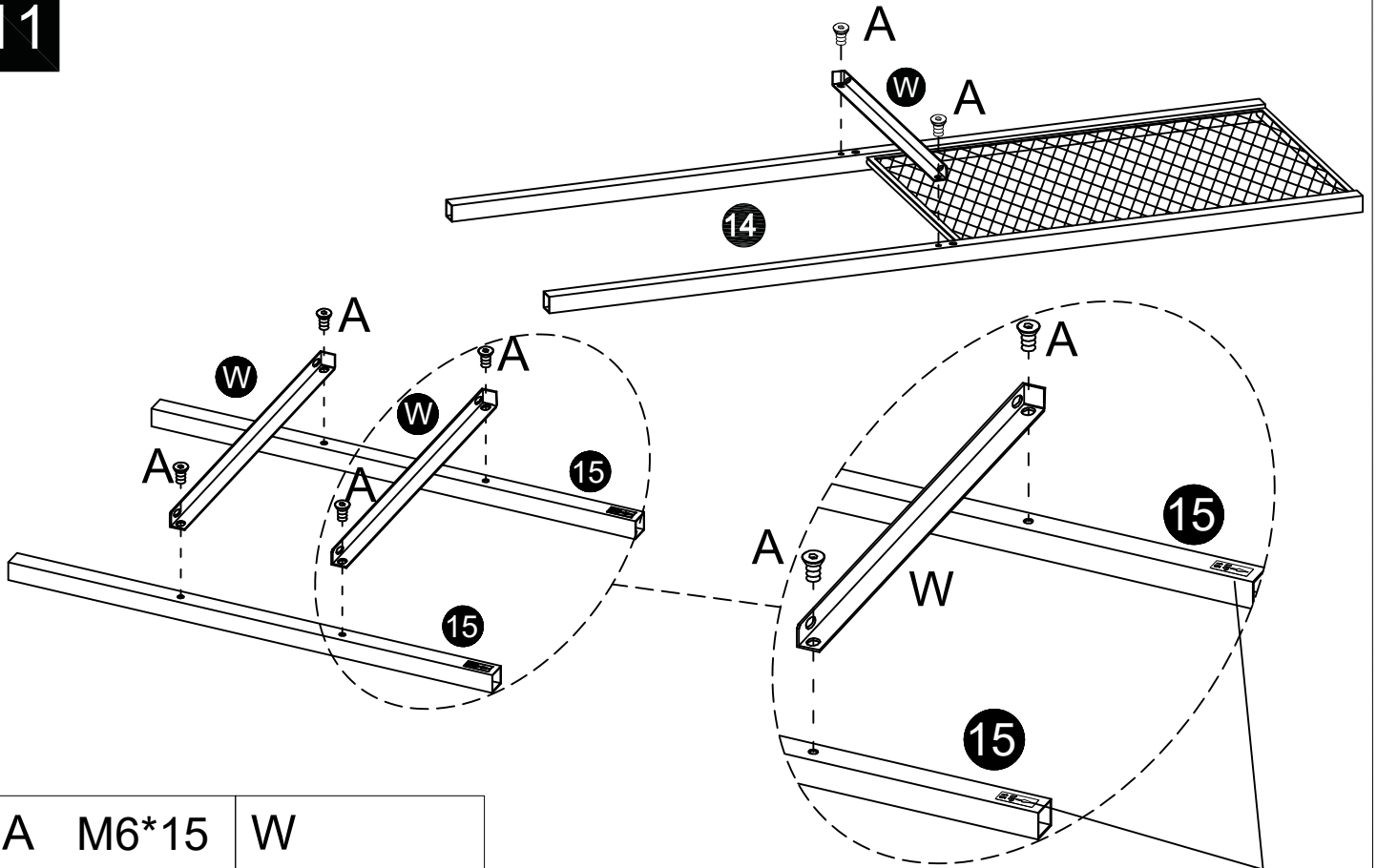
Please pay attention to the direction of the hole position.



G M6*40
 x1

H M6*60
 x1

L $\phi 18*9$
 x1

11



A	M6*15	W
	x6	 x3

Please pay attention to the direction of the arrows.

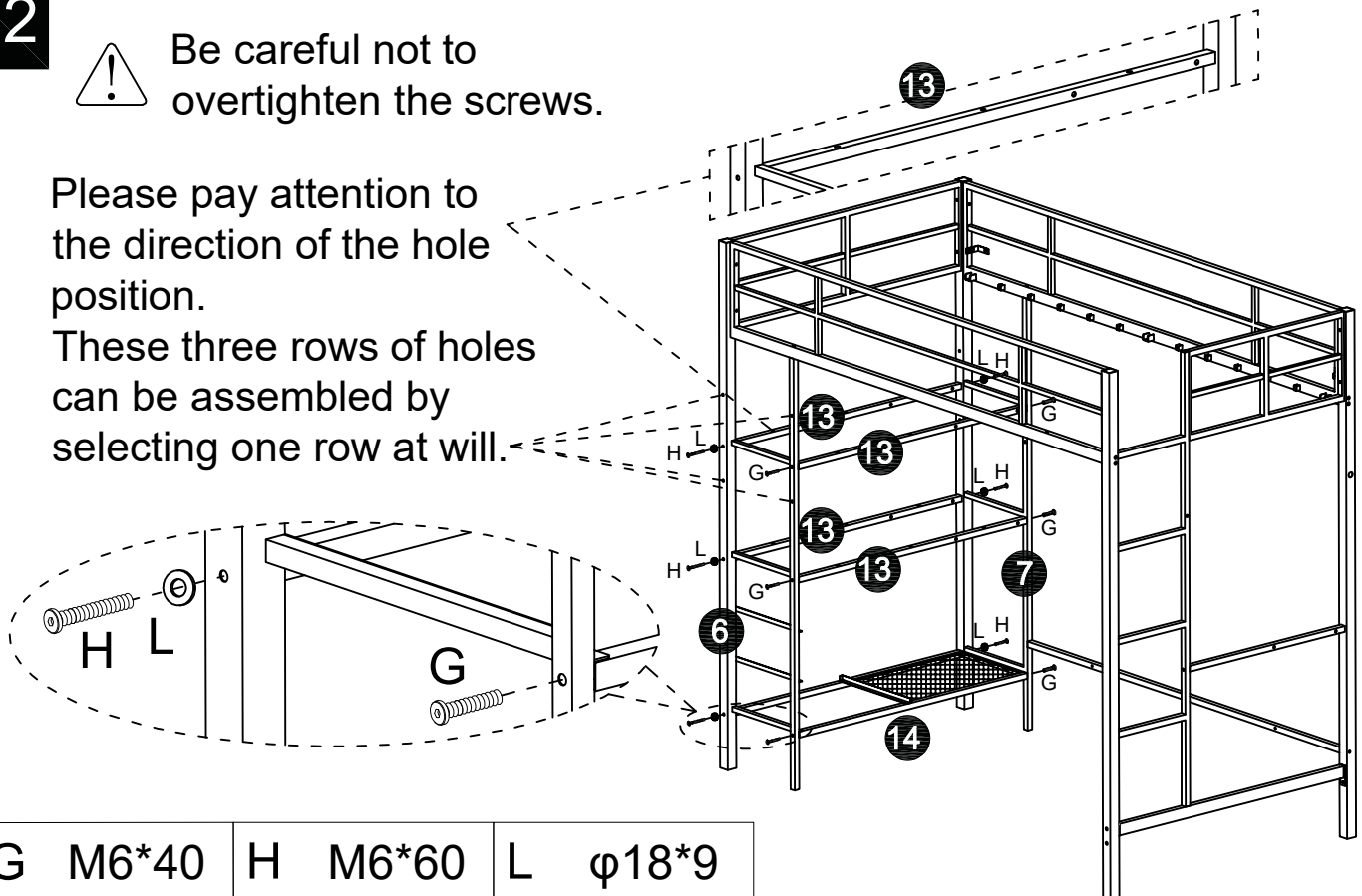
12

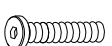
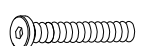



Be careful not to overtighten the screws.

Please pay attention to the direction of the hole position.

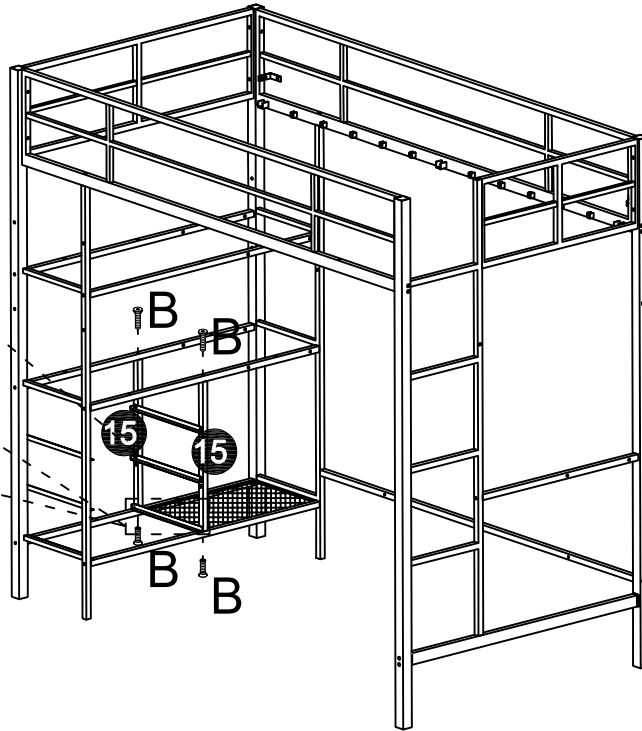
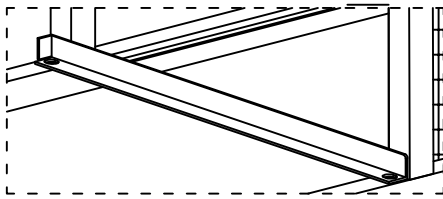
These three rows of holes can be assembled by selecting one row at will.



G	M6*40	H	M6*60	L	φ18*9
	x6		x6		x6

13

Please pay attention to the direction of the iron sheet.

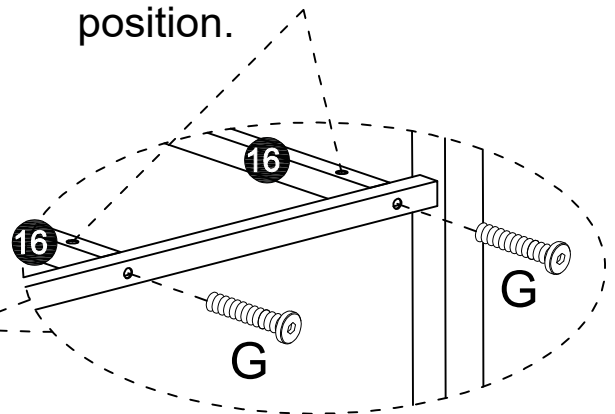
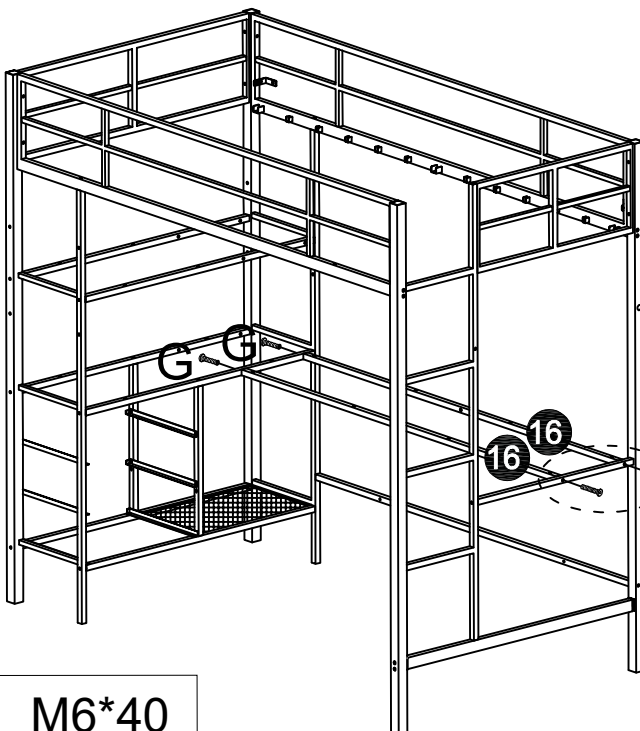


B M6*40



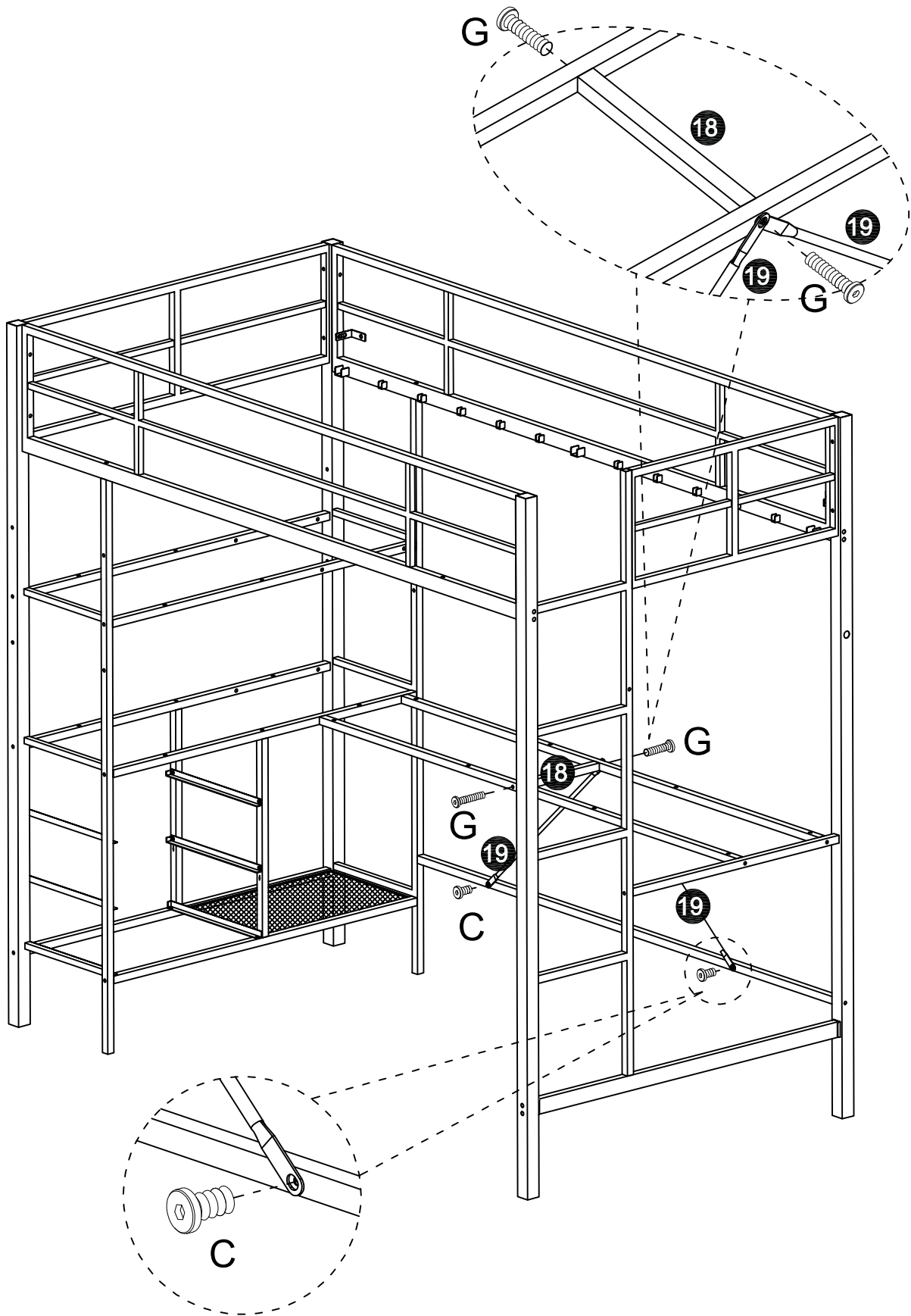
14

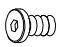

Please pay attention to the direction of the hole position.

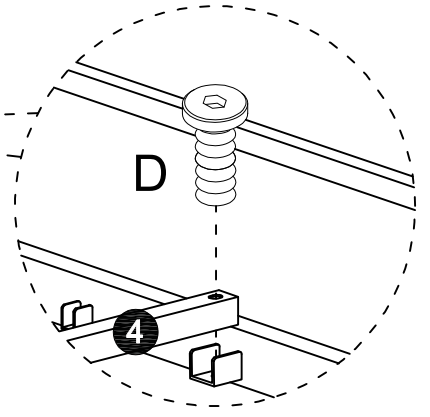
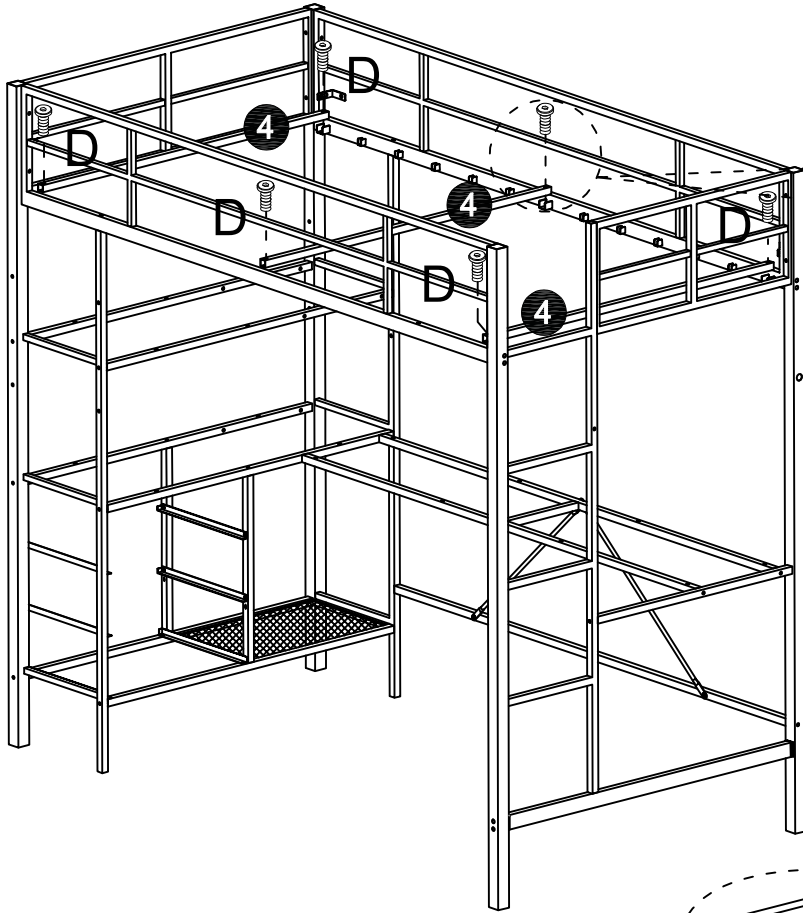



G M6*40

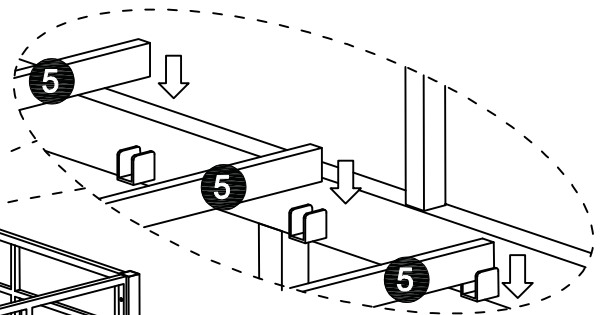
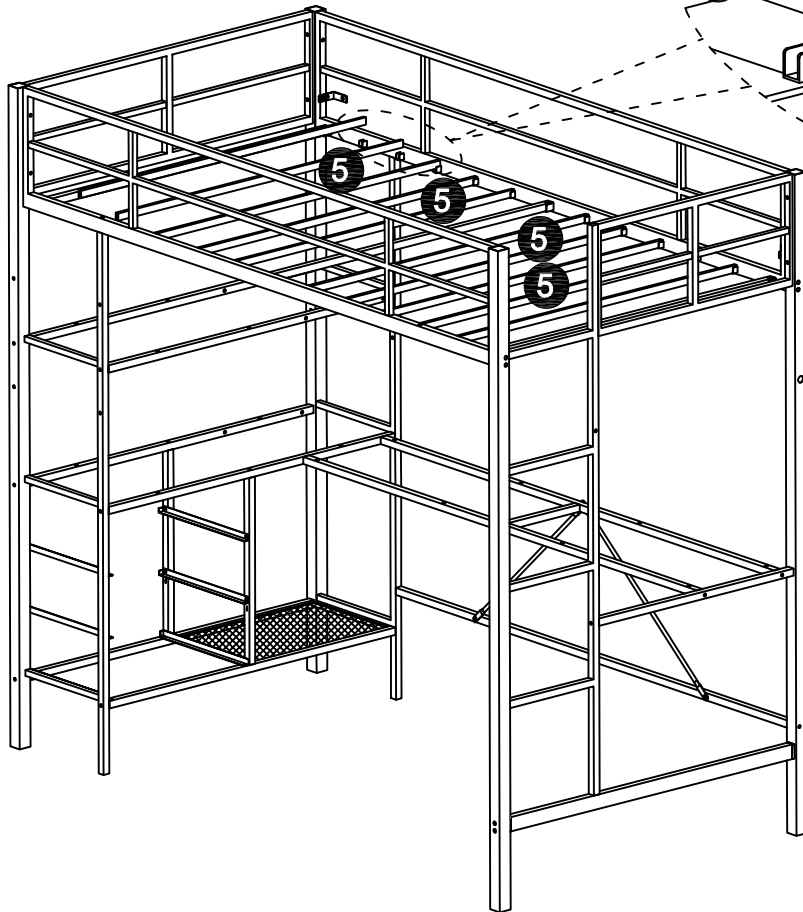




C	M6*12	G	M6*40
	x2		x2




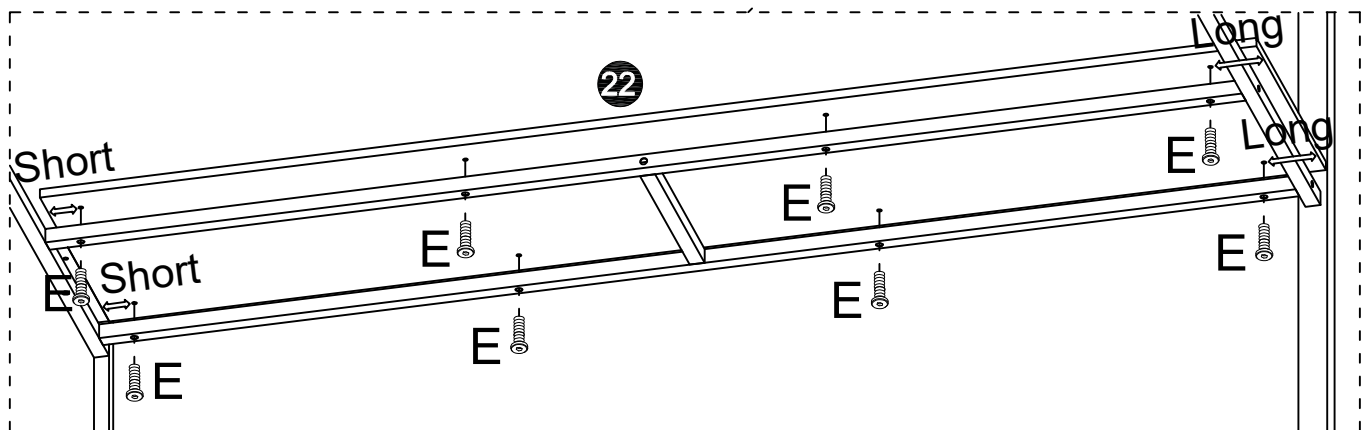
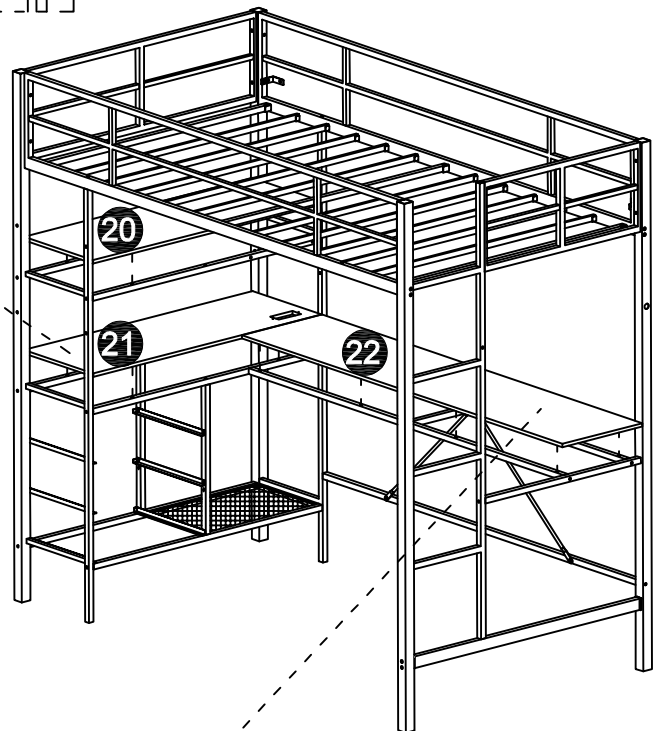
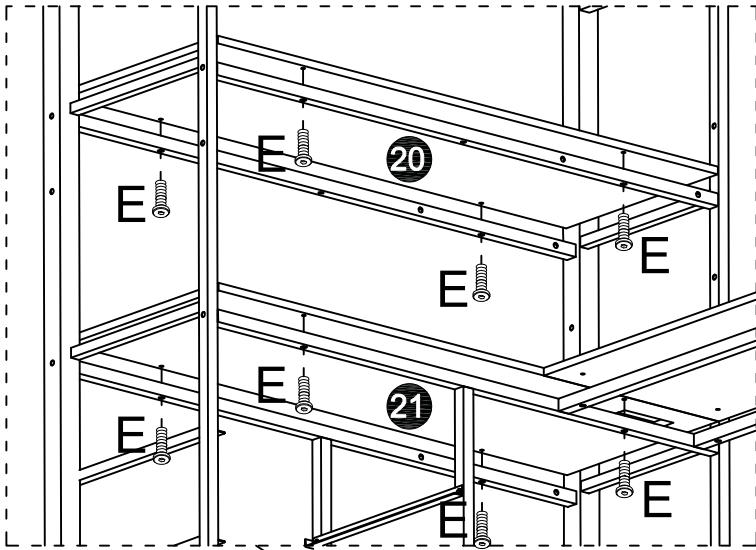
D M6*25
 x6








5

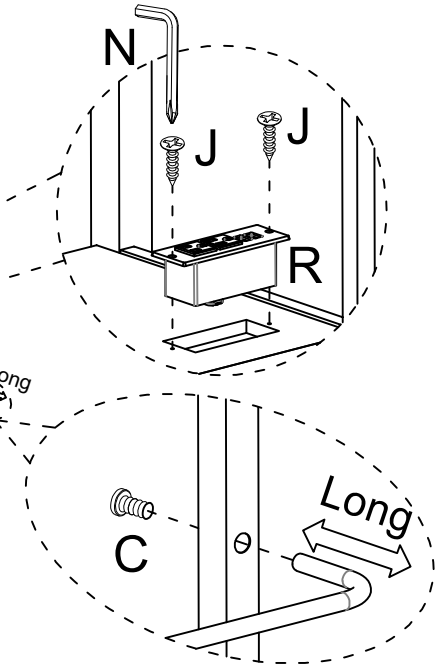
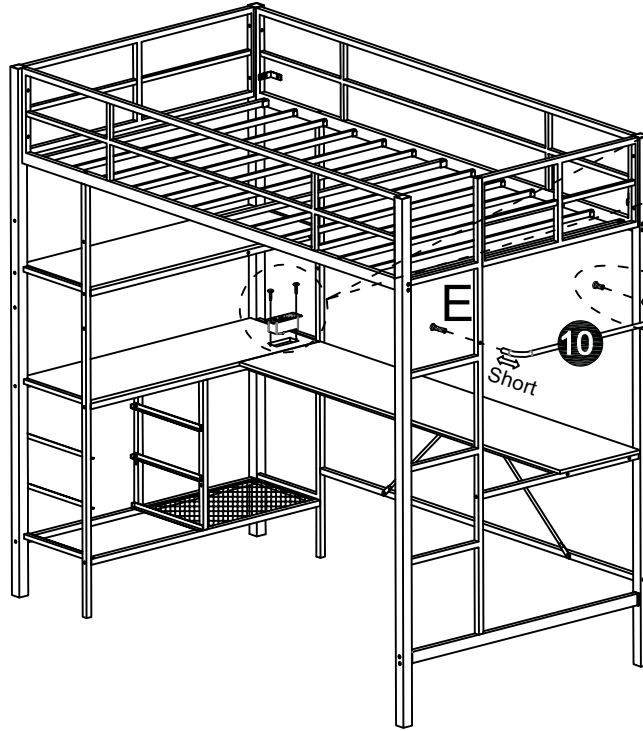
E M6*28

 x16



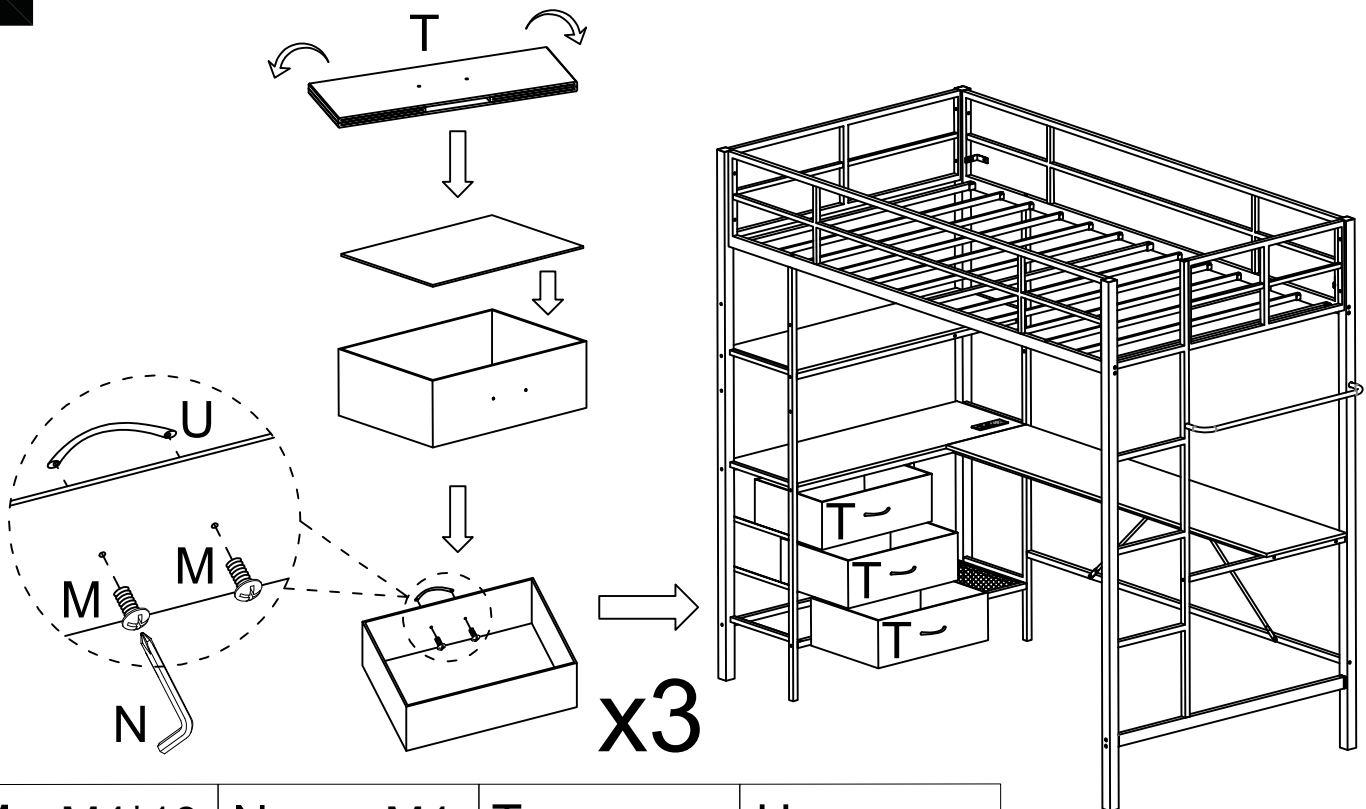
18





C	M6*12		x1
E	M6*28		x1
J	4*12		x2
N	M6		x1
R			x1



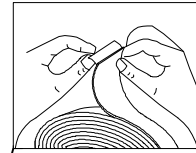
Please insert the tube into the hole first and then lock the screw.

19

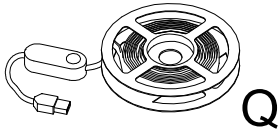


M	M4*10	N	M4	T	U
	x6		x1		x3
					x3

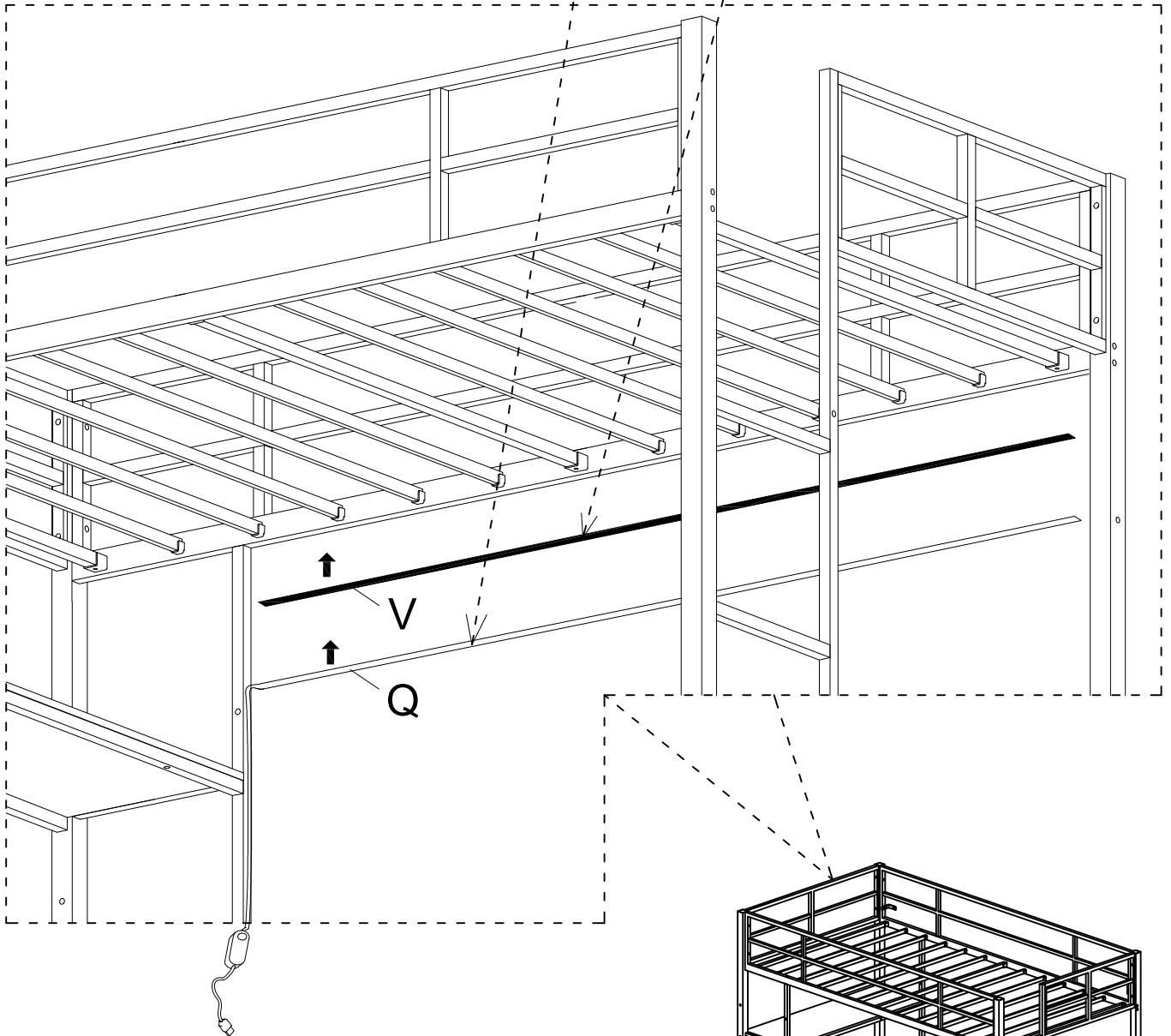
1: Please remove the adhesive tape numbered W first, and then stick it to the bottom of the bed side.
As shown in the figure





2: Unfold the light belt

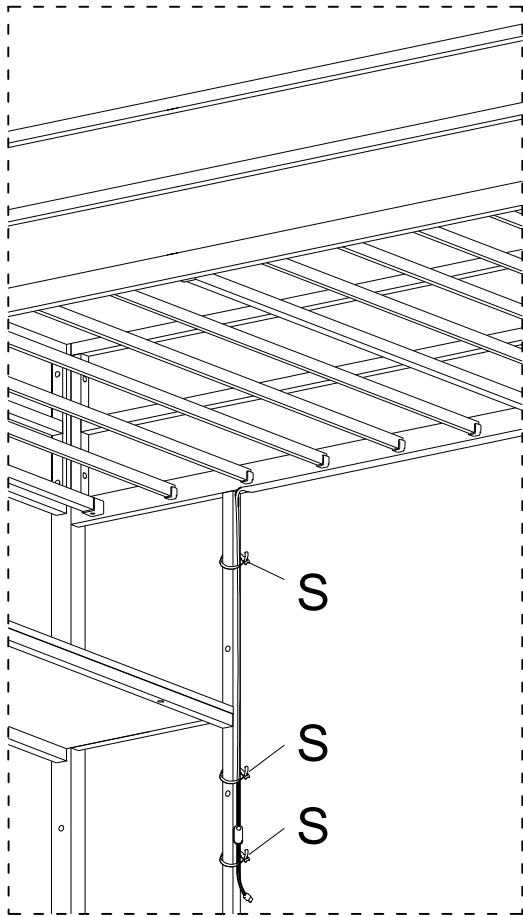


tear off the end of the tape and stick it to the bottom of the bed side tube.

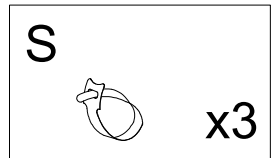
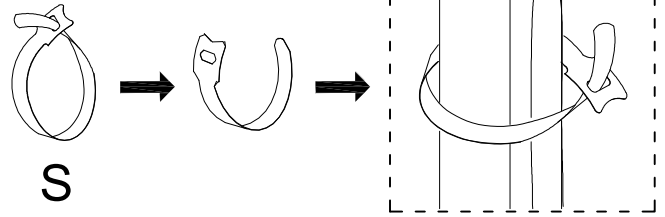


<p>Q</p>  <p>x1</p>	<p>V</p>  <p>x1</p>
--	--

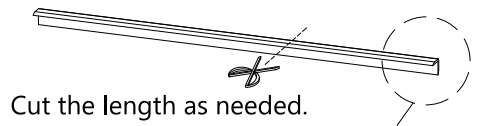
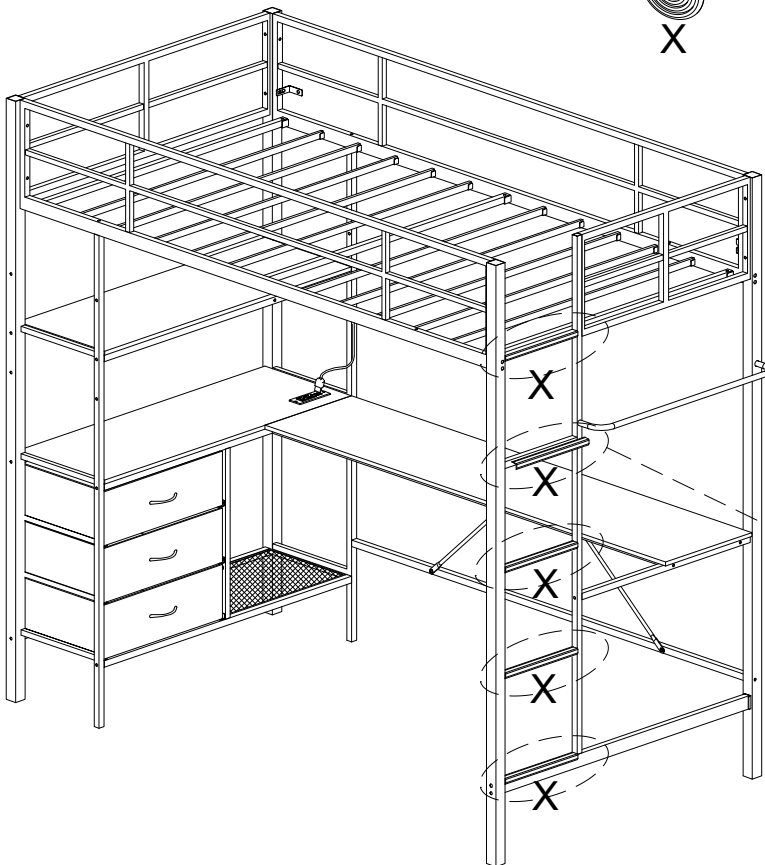
21



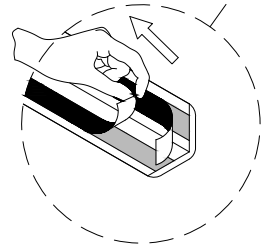
Please loosen the tie and tie it onto the iron pipe. As shown in the figure.



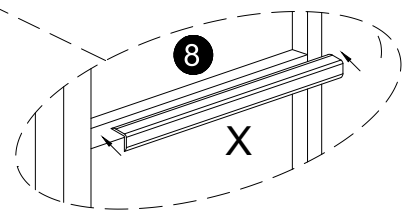
22



Cut the length as needed.

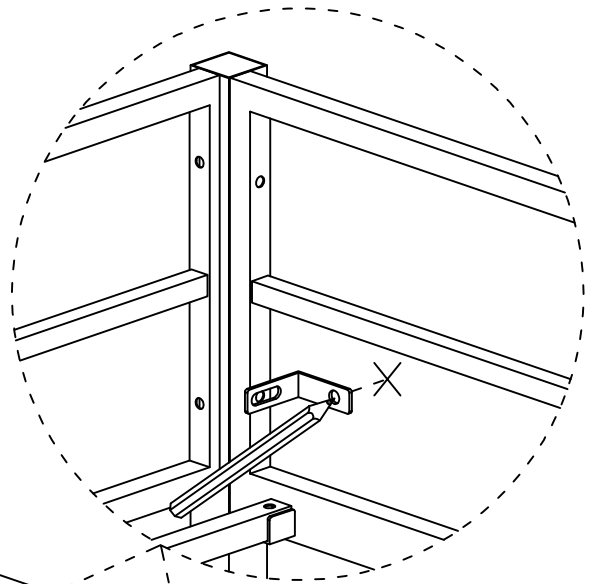


Please remove the adhesive tape numbered X first, and then stick it onto component number 8. As shown in the figure

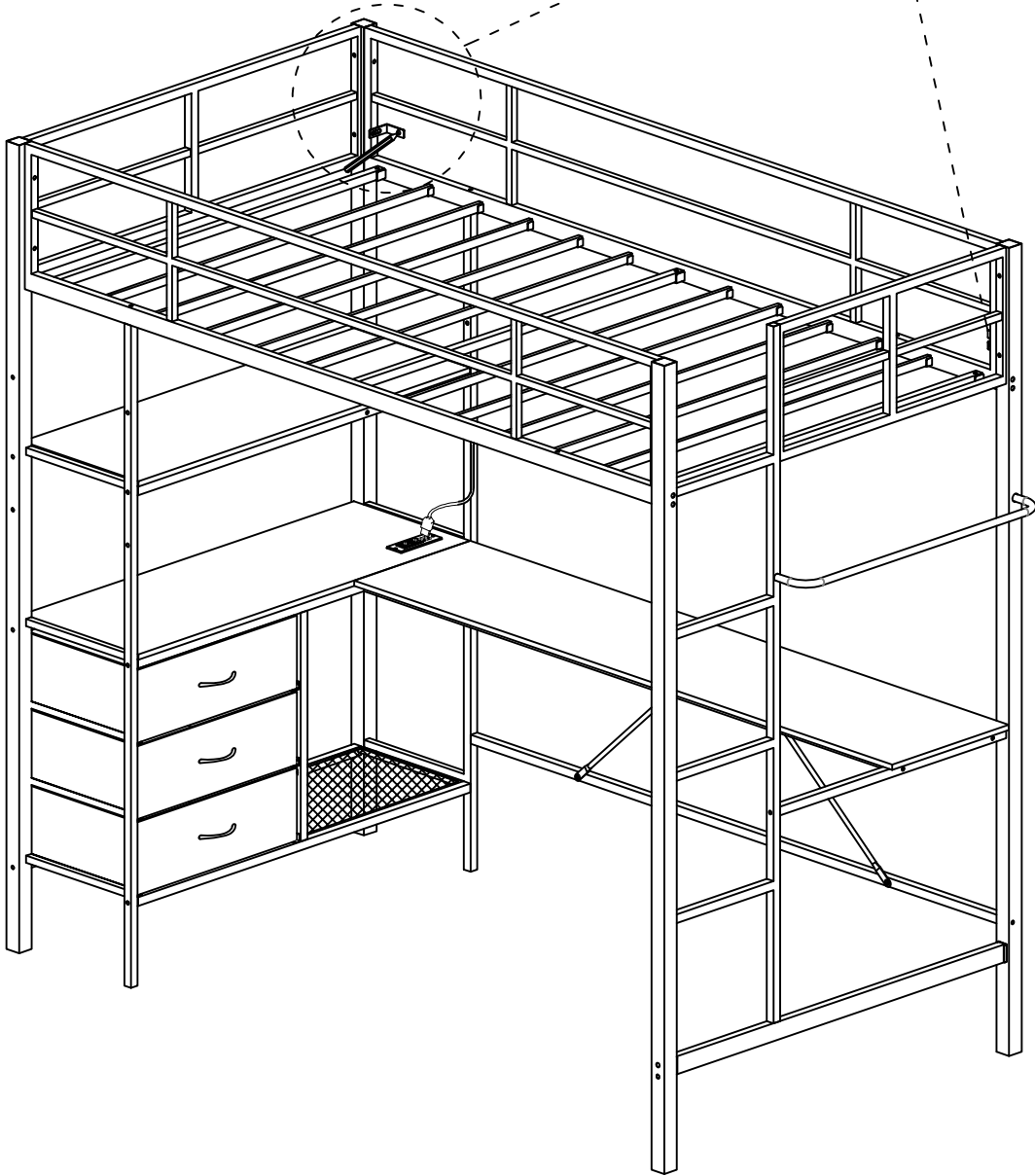


23 Positioning

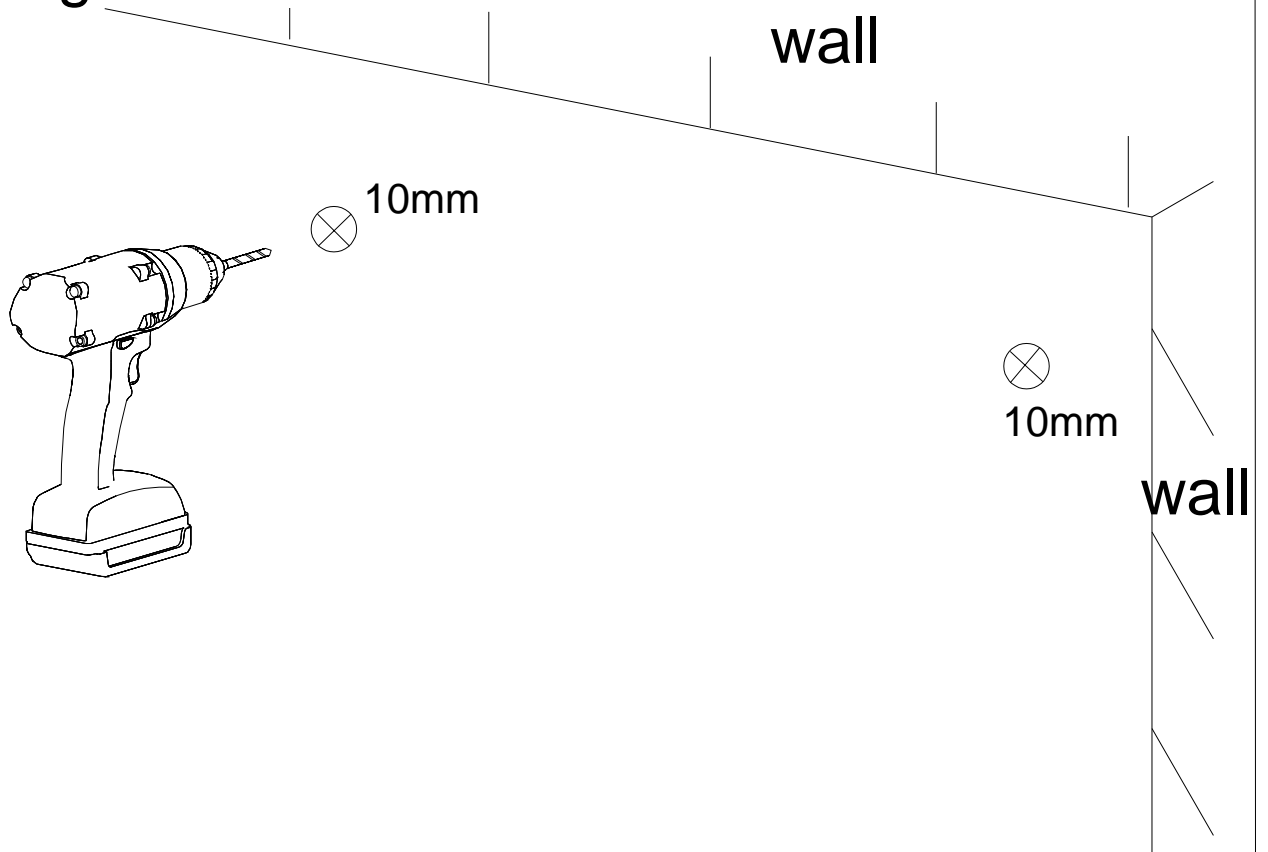
wall



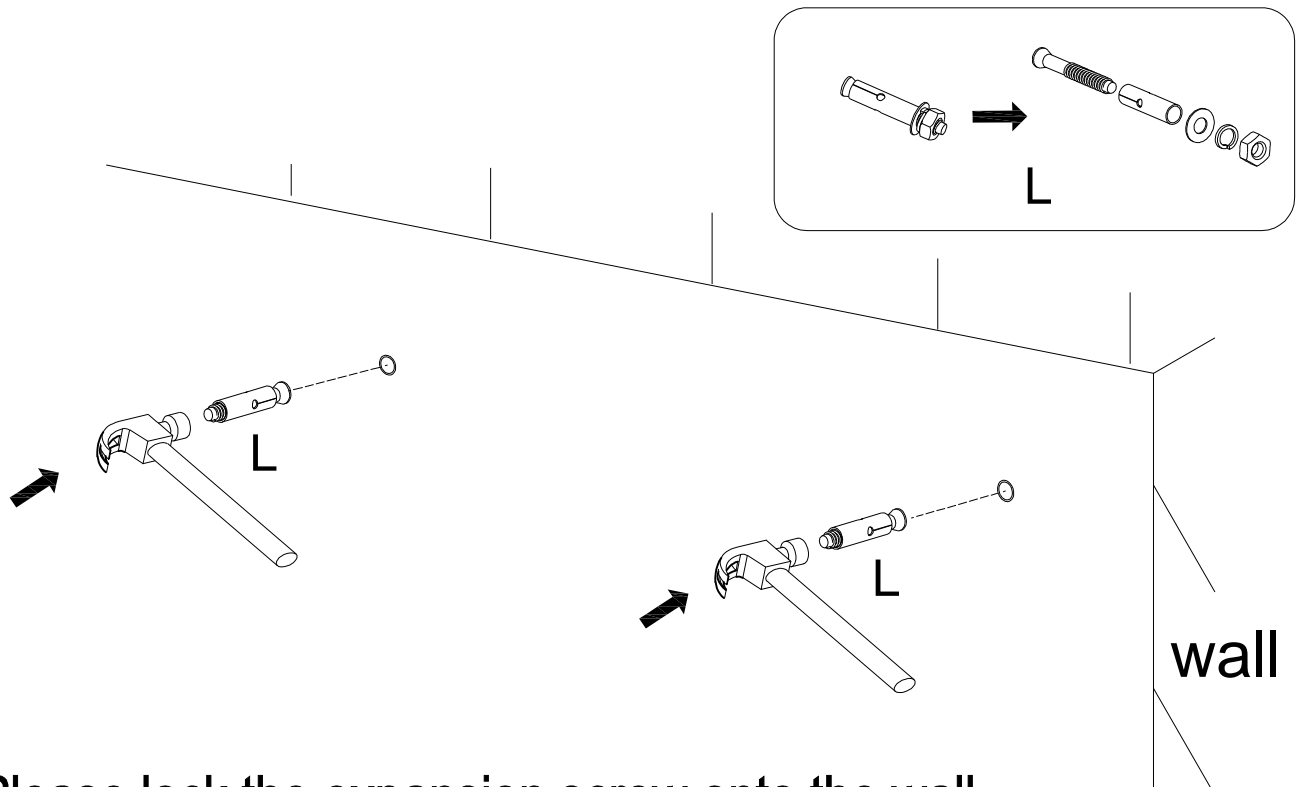
wall



24 Drilling

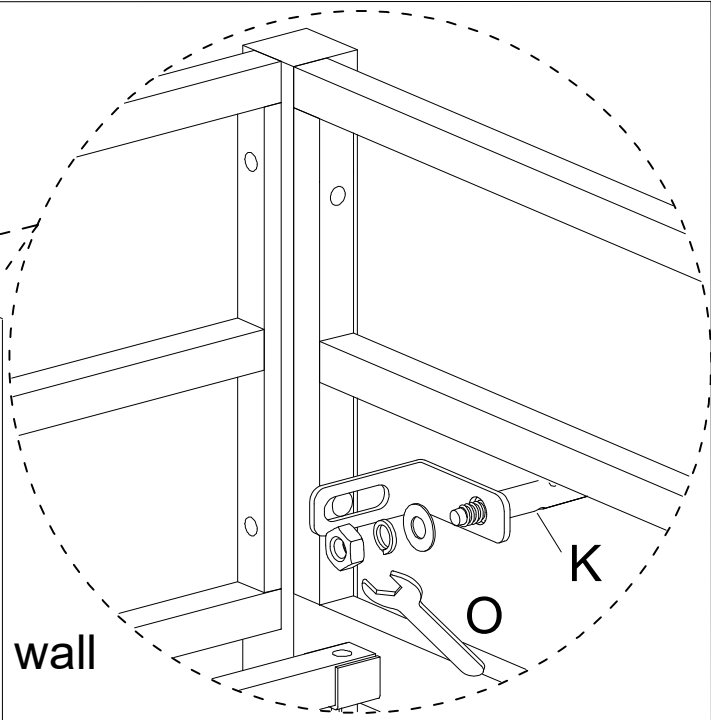
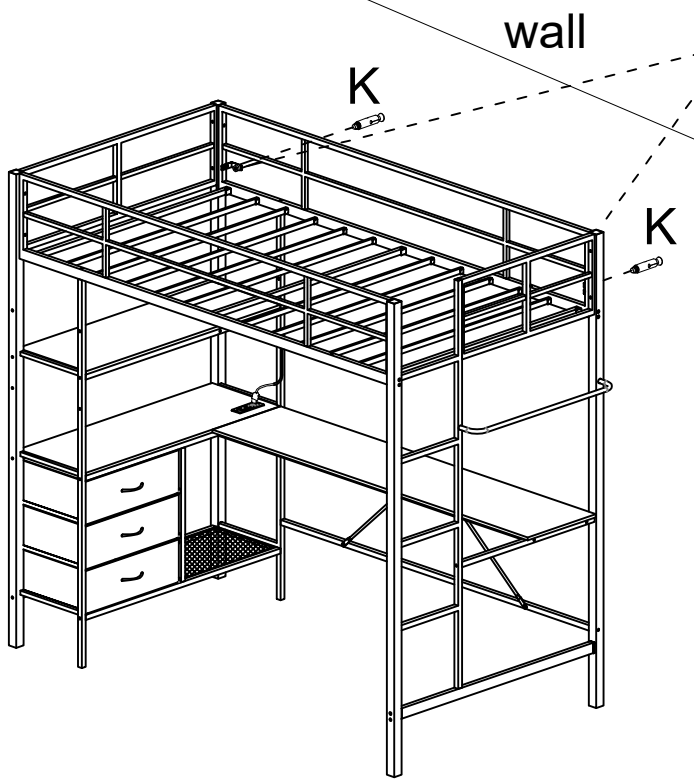


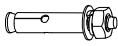

25



Please lock the expansion screw onto the wall.

26



K	M8*55	O
	x2	 x1

27

