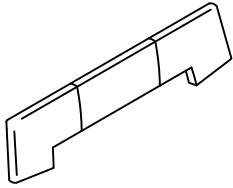


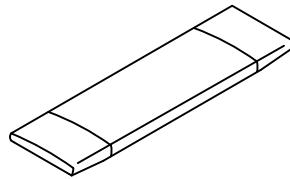
Product Assembly Instructions

PART LIST



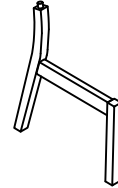
A : BACKREST

x1



B : CUSHION SEAT

x1



C : SIDE LEG (L & R)

x2



D : SUPPORT

x1

HARDWARE LIST



E : JCBC SCREW M6 x 45mm

x7



F : JCBC SCREW M6 x 70mm

x4



G : SPRING WASHER 1/4"

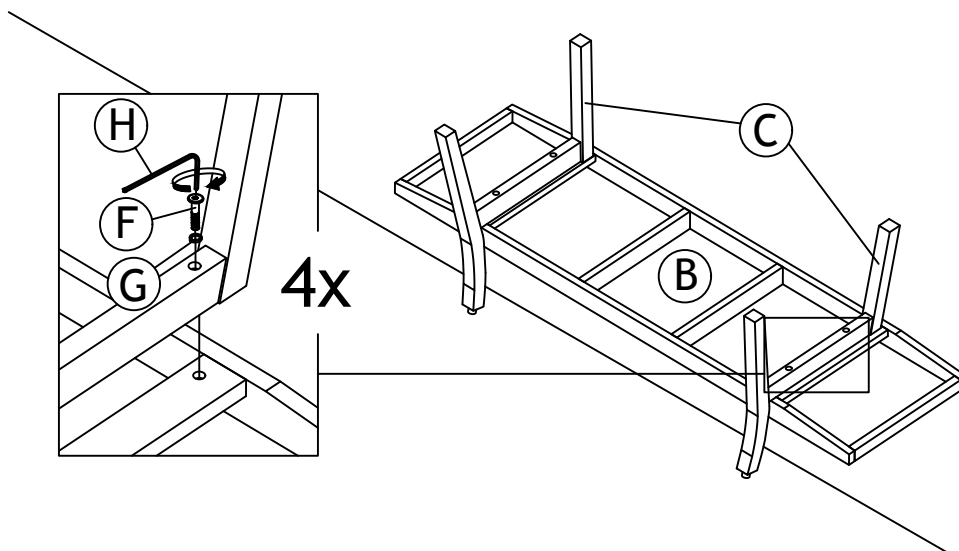
x11



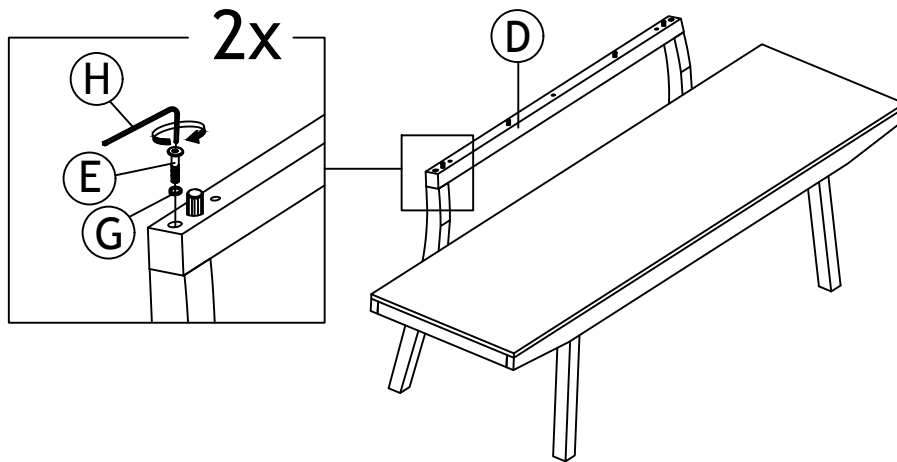
H : M4 ALLEN KEY (BALL SHAPE) LONG

x1

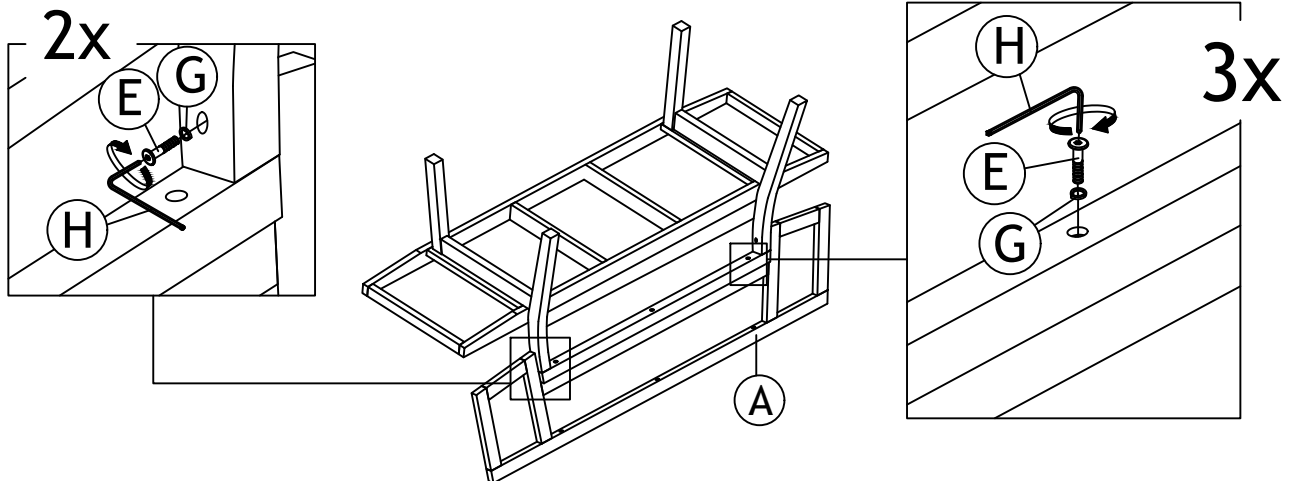
STEP 1



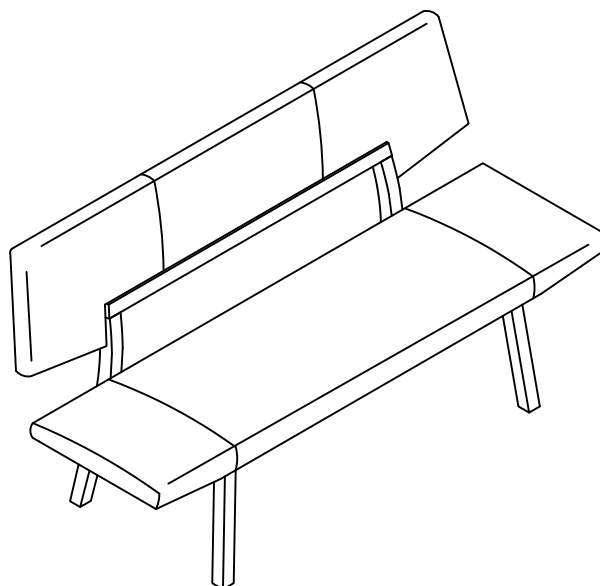
STEP 2



STEP 3

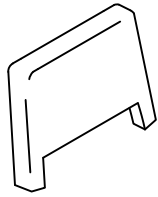


STEP 4



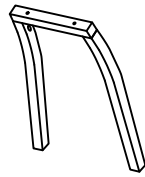
Product Assembly Instructions

PART LIST



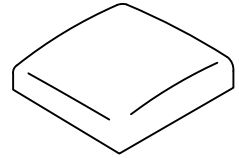
A : BACKREST

x1



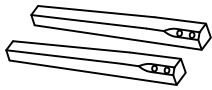
B : BACK LEG

x1



C : SEAT CUSHION

x1



D : FRONT LEG (L &R)

x2

HARDWARE LIST



E : JCBC SCREW M6 x 45mm

x12



F : SPRING WASHER 1/4"

x12



G : FLAT WASHER 1/4"

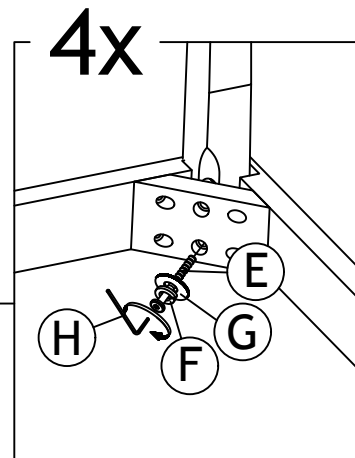
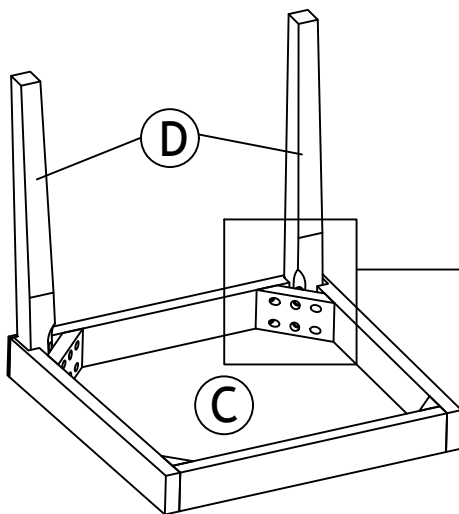
x8



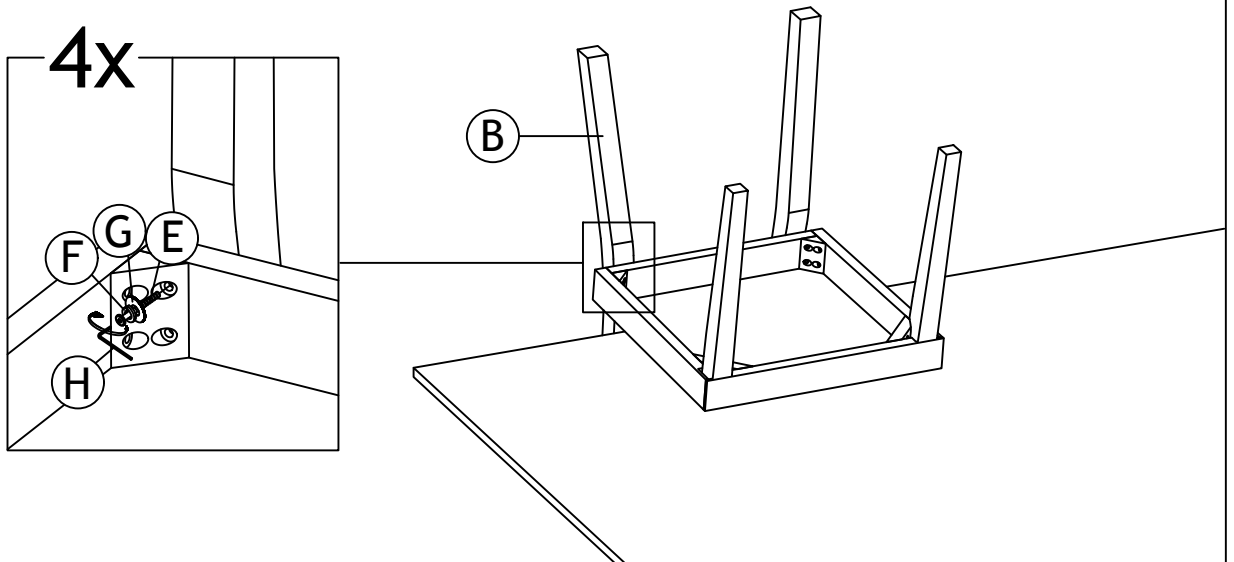
H : M4 ALLEN KEY (BALL SHAPE) LONG

x1

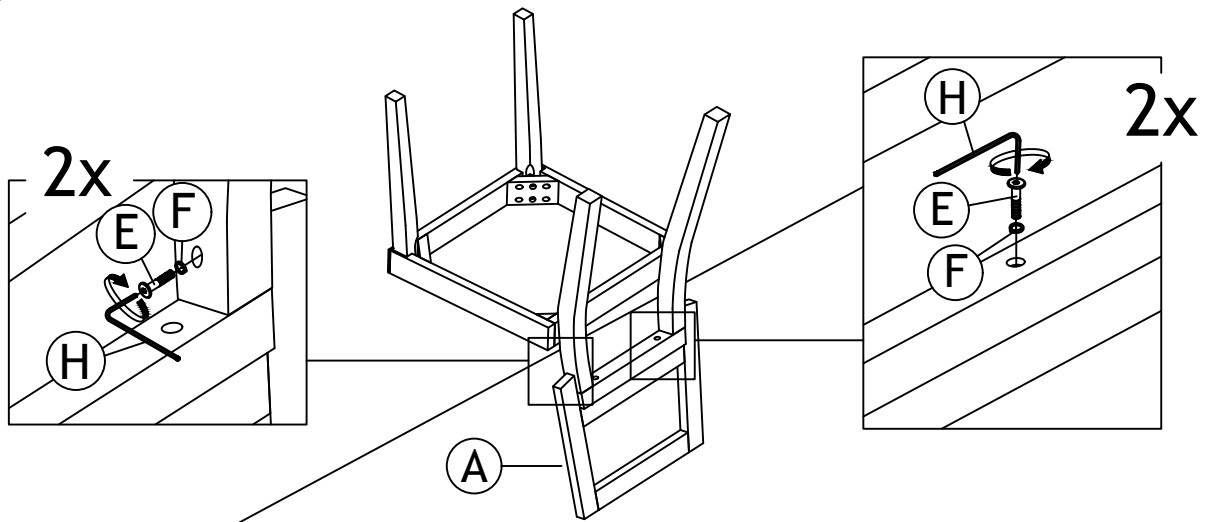
STEP 1



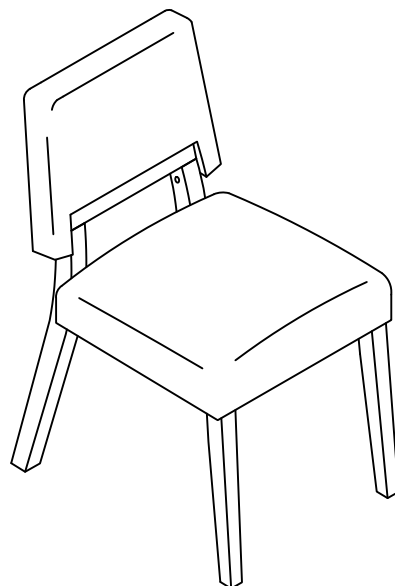
STEP 2



STEP 3




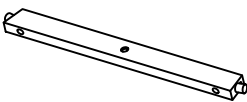
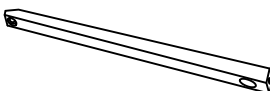


STEP 4

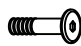



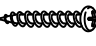



Product Assembly Instructions

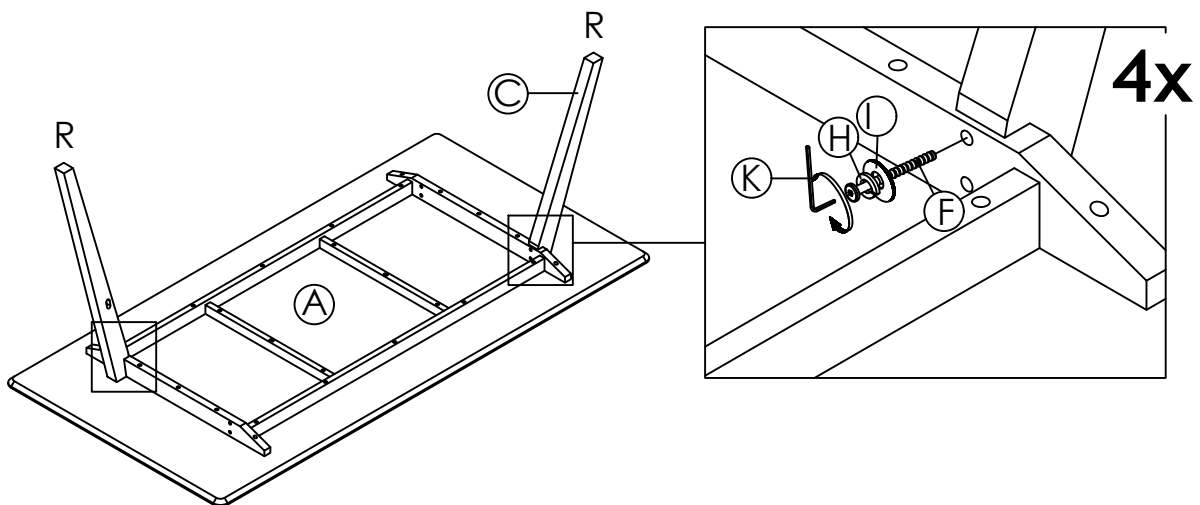
PART LIST

| | | |
|---|--|---|
|  <p>A : TABLE TOP x1</p> |  <p>B : TABLE LEG (L) x2</p> |  <p>C : TABLE LEG (R) x2</p> |
|  <p>D : TABLE LEG STRETCHER x2</p> |  <p>E : TABLE LEG SUPPORT RAIL x2</p> | |

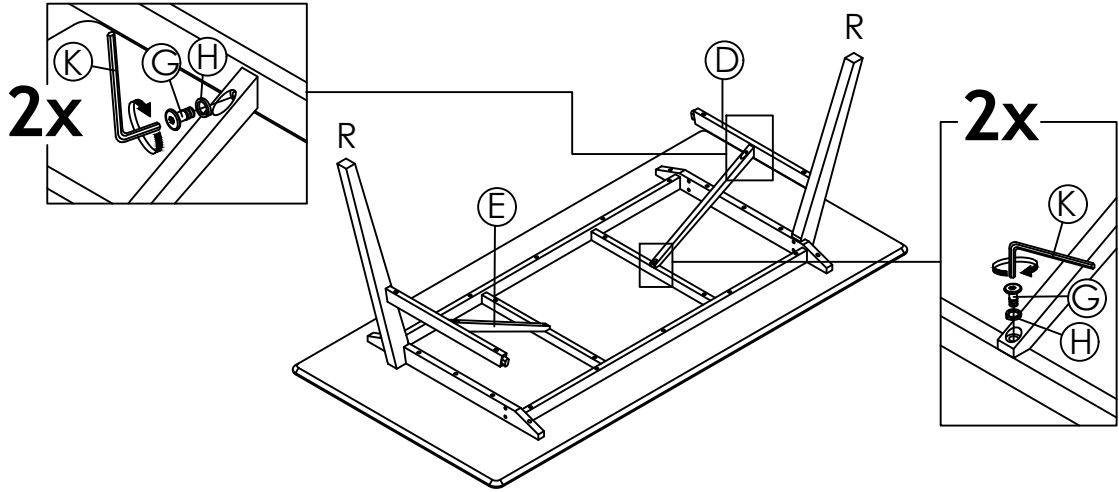
HARDWARE LIST

| | | |
|---|--|--|
|  <p>F : JCBC SCREW M6 x 50mm x8</p> |  <p>G : JCBC SCREW M6 x 25mm x4</p> |  <p>H : SPRING WASHER 1/4" x12</p> |
|  <p>I : FLAT WASHER 1/4" x8</p> |  <p>J : PAN HEAD SCREW M5 x 32MM x4</p> |  <p>K : ALLEN KEY M4 x1</p> |

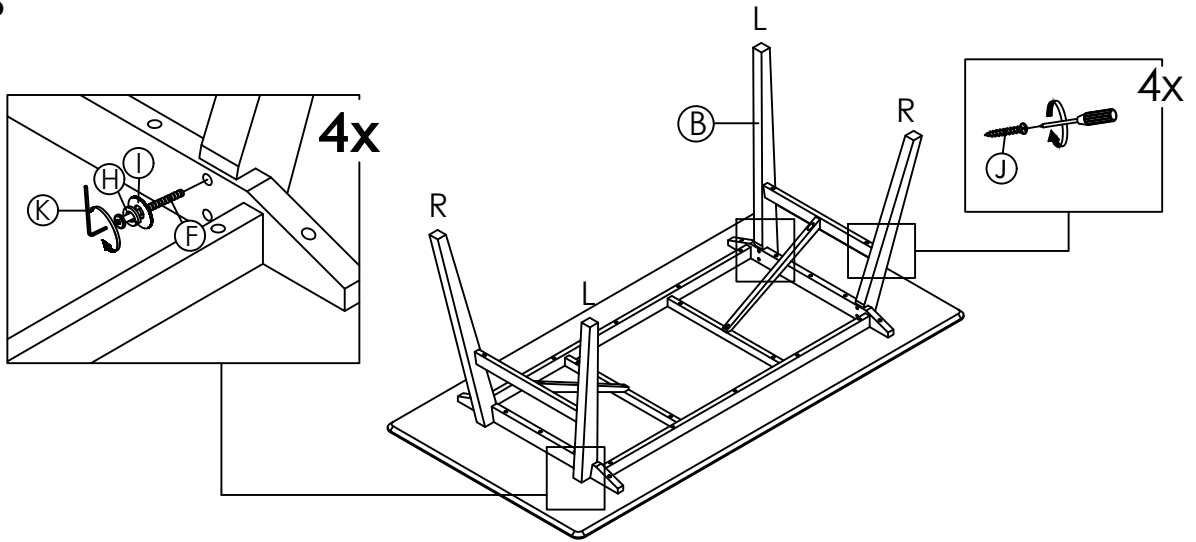
STEP 1



STEP 2



STEP 3



STEP 4

