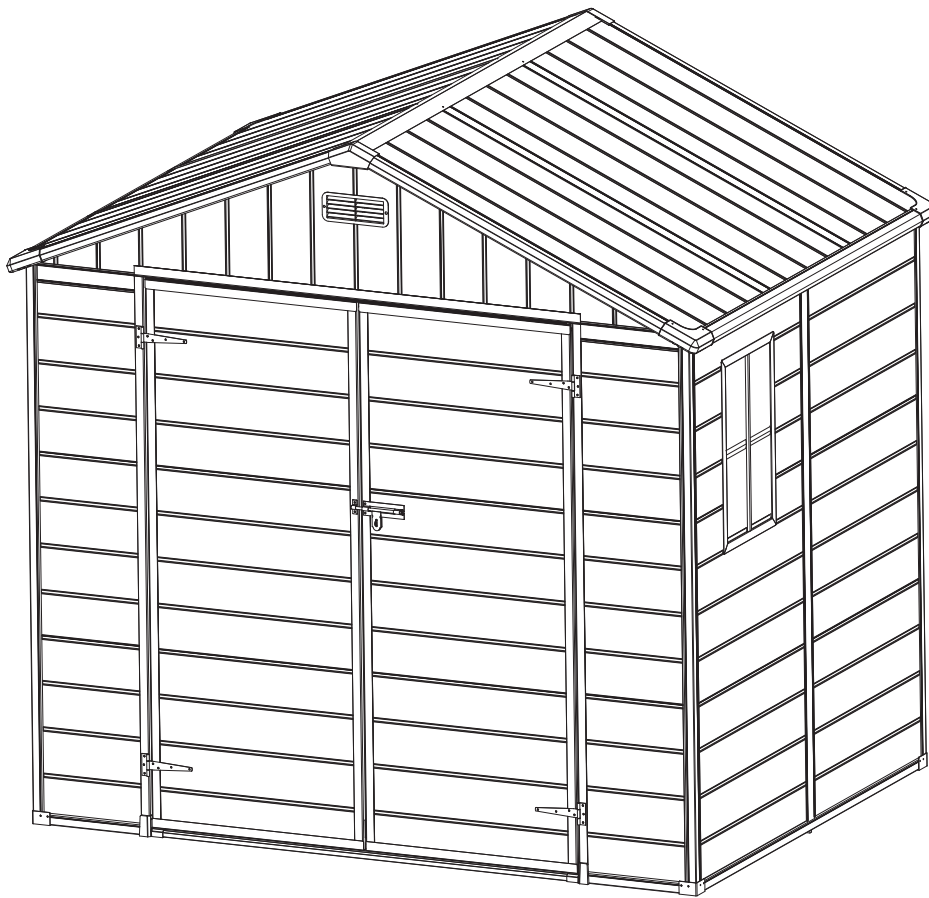


PLASTIC GARDEN SHED 7.9x5.9FT

Instructions for Assembly

1007100158B/1007100159B



Arrive in 2 separate boxes and may not be part of the same shipment;
Please install the product after receiving all the packages.

Tel:+1 (901)347-2181

Service Time:8 am -5 pm (central time)Monday-Friday.

If no one picks up,please call several more times.

WARNING

Please read the instruction manual carefully before assembly.

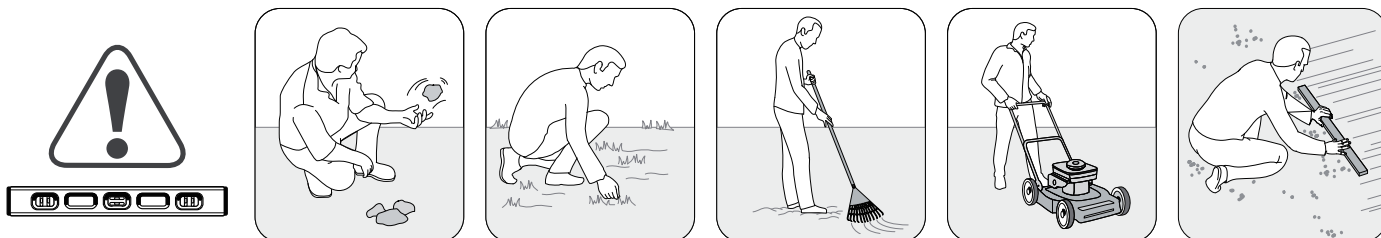
Please assembly strictly in accordance with the instruction.

Please double-check to ensure that all parts of the package contents intact.

To avoid injury, work gloves are recommended during assembly.

SITE PREPARATION | PRÉPARATION DU SITE | PREPARACIÓN DEL LUGAR | VORBEREITUNG DES AUFSTELLUNGORTES | VOORBEREIDING VAN HET TERREIN | PREPARAZIONE DEL LUOGO DI ASSEMBLAGGIO | PREPARAÇÃO DO LOCAL

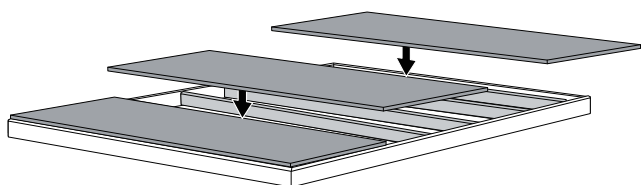
Level the ground surface | Nivelez la surface du sol | Nivele la superficie del suelo | Ebenen Sie die Bodenoberfläche | Maak de bodem vlak | Livellare la superficie del terreno | Nivele a superfície do solo



Recommendation: Construct a wooden or concrete base as a foundation | Recommandation: fabriquez une base en bois ou en béton en guise de fondation | Recomendación: construya una base de madera o de cemento a modo de cimiento | Empfehlung: Bauen Sie als Fundament eine Grundfläche aus Holz oder Beton | Aanbeveling: maak een houten of betonnen ondergrond als fundering | Raccomandazione: Costruire una base di legno o di cemento come fondamenta | Recomendação: Construa uma base de madeira ou de cimento como fundação

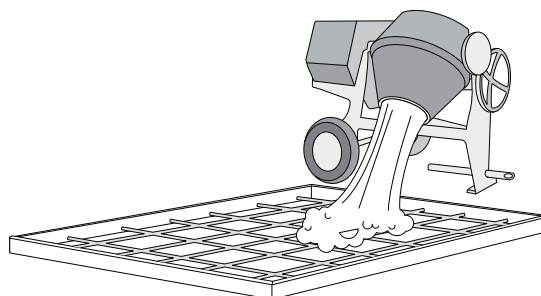
Option | Opción | optie | opzione | opção

A

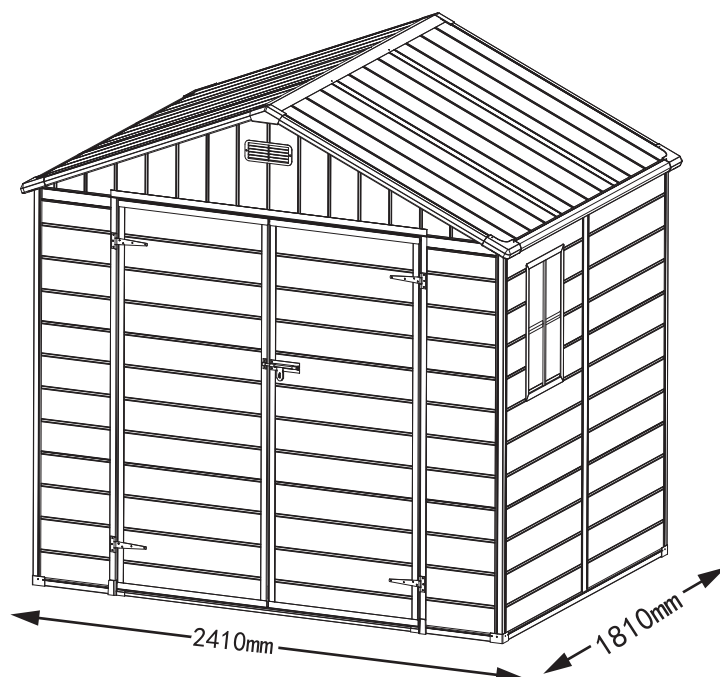


Option | Opción | optie | opzione | opção

B



External floor measurements are: | Les mesures externes de la étage sont: | Las medidas del suelo externo son: | Die Außen-Bodenmaße betragen: | De afmetingen van de externe vloer zijn: | Le dimensioni esterne del pavimento sono: | As medidas externas do chão são:



BEFORE STARTING ASSEMBLY | AVANT DE COMMENCER LE MONTAGE | ANTES DE EMPEZAR EL ARMADO | VOR MONTAGEBEGINN | VOORDAT U BEGINT TE MONTEREN | PRIMA DI INIZIARE L'ASSEMBLAGGIO | ANTES DE INICIAR A MONTAGEM

Read the care and safety guidelines at the end of this manual | Check to ensure that there are no missing or damaged parts BEFORE starting or arranging assembly | Remove all parts from the package(s) and spread them out on a clean work surface | Review all assembly instructions | Assemble all the parts according to the directions in this manual. Do not skip any steps.

Lisez les instructions de précaution et de sécurité à la fin de ce manuel | Assurez-vous qu'il n'y a pas de pièces manquantes ou endommagées AVANT de commencer ou d'organiser l'assemblage | Retirez toutes les pièces du/des paquet(s) et étalez-les sur une surface de travail propre | Lisez toutes les instructions de montage | Assemblez toutes les pièces selon les instructions de ce manuel. Ne sautez aucune étape.

Lea las instrucciones de precauciones y seguridad que están al final de este manual | Asegúrese de que no faltan piezas ni están dañadas ANTES de comenzar o disponer el montaje | Saque todas las piezas del paquete o paquetes y póngalas sobre una superficie de trabajo limpia | Revise todas las instrucciones de montaje | Monte todas las piezas según las instrucciones de este manual. No se saltee ningún paso.

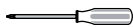
Lesen Sie die Sicherheitsrichtlinien am Ende des Benutzerhandbuchs durch | Prüfen Sie bitte VOR dem Zusammenbau, dass keine Teile beschädigt sind oder fehlen | Nehmen Sie alle Teile aus der Verpackung und breiten Sie sie auf einer sauberen Arbeitsfläche aus | Gehen Sie noch einmal die komplette Aufbauanleitung durch | Bauen Sie alle Teile entsprechend der Anleitung in diesem Handbuch zusammen. Lassen Sie dabei keinen Arbeitsschritt aus.

Lees de richtlijnen voor zorg en veiligheid achterin deze handleiding | Controleer dat er geen onderdelen mankeren, of beschadigd zijn, VOORDAT u met de montage begint | Haal alle onderdelen uit het pakket (of uit de pakketten) en leg ze open schoon werkoppervlak | Bekijk alle montagehandleidingen | Monteer alle onderdelen volgens de aanwijzingen van deze handleiding. Sla geen stappen over.

Leggere le linee guida di assistenza e sicurezza alla fine di questo manuale | Assicurarsi che non ci siano parti mancanti o danneggiate PRIMA di iniziare l'assemblaggio | Estrarre tutti i componenti dall'imballo e posizzarli su una superficie di lavoro pulita | Consultare tutte le istruzioni di montaggio | Assemblare tutti i componenti secondo le istruzioni contenute nel manuale. Non saltare nessuna fase.

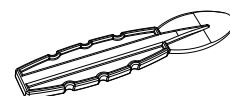
Leia as diretrizes de cuidados e segurança que constam da parte final deste manual | Verifique para se assegurar de que não há peças em falta ou danificadas ANTES de começar a preparar a montagem | Retire todas as peças da embalagem e espalhe-as numa superfície de trabalho limpa | Reveja todas as instruções de montagem | Monte todas as peças de acordo com as instruções do manual. Não salte quaisquer passos.

REQUIRED TOOLS | OUTILS EXIGÉS | HERRAMIENTAS NECESARIAS | BENÖTIGTE WERKZEUGE | BENODIGD GEREEDSCHAP | ATTREZZATURA OCCORRENTE | FERRAMENTAS NECESSÁRIAS



SPATULA | SPATULE | ESPÁTULA | SPACHTEL | SPATEL | SPATOLA | ESPÁTULA

- Use spatula (part “SG8”) for easier insertion of panel into profile.
- Utilisez la spatule (partie “SG8”) pour une meilleure insertion du panneau dans le profil.
- Utilice una espátula (pieza “SG8”) para una mejor inserción del panel en el perfil.
- Benutzen Sie den Spachtel (Bezeichnung “SG8”), um die Platten leichter in die Nut einführen zu können.
- Gebruik spatel (onderdeel SG8) voor het gemakkelijk invoeren van het paneel in het profiel.
- Utilizzare la spatola (parte SG8) per inserire il pannello più facilmente nel profilo.
- Utilize uma espátula (peça “SG8”) para facilitar a inserção do painel no perfil.
























SG8 x2






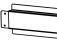





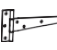








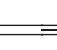


ASSEMBLY REQUIRES TWO PEOPLE | LE MONTAGE DOIT ÊTRE EFFECTUÉ PAR DEUX PERSONNES | SE NECESITAN DOS PERSONAS PARA ARMARLO | ZWEI PERSONEN ZUR MONTAGE NOTWENDIG | MONTAGE VEREIST TWEE PERSONEN | L'ASSEMBLAGGIO RICHIEDE DUE PERSONE | A MONTAGEM EXIGE DUAS PESSOAS

PART LIST

1007100158B

NO.	PART.	Qty.
SR1		6
SW5-1		4
SW1-1		2
SW5-2		2
SF1-2		2
SW6-1		1
SW2-1		1
SW4-1		1
SW2-2		1
SW3-3		1
SW3-4		1
SW3-6		1
SW3-1		1
SW3-5		1
SG102		1
SG10		1
SG101		1
SPA3		2
SPA4		4
SPA1		2
SP6		4





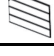
















NO.	PART.	Qty.
SA4		2
SS1		2
SS5		1
SS4		1
SS3		1
CS2-1		4
CS4-1		2
SP1		2
SP2		2
Drill		1
SG27		2
M01		4
M03-6L		1
M03-7		1
M04		1
DC		2
Z410		141
Z420		122
ZW413		70
Z425		4
EAB6		4





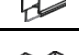





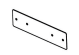



- Please be mindful of the screw size used during installation; using screws that are too long may damage the shed.


PART LIST




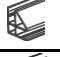







1007100159B

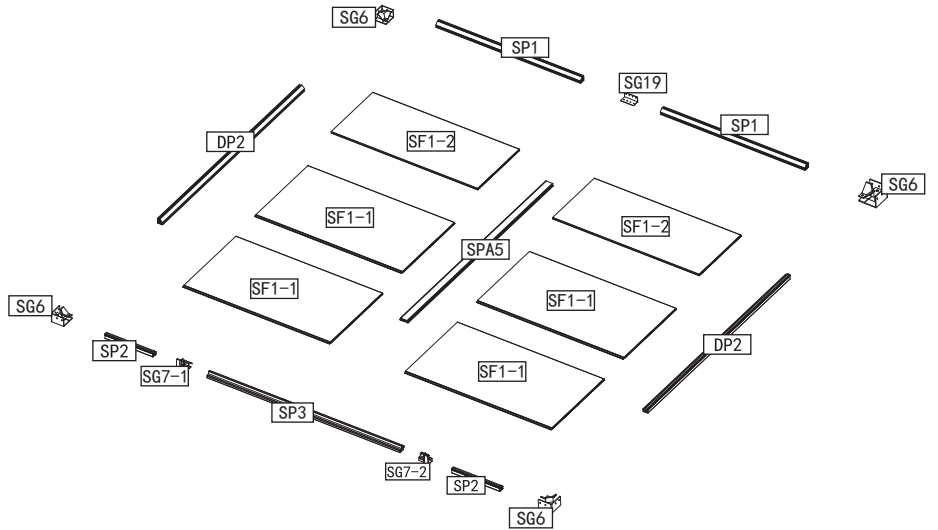
NO.	PART.	Qty.
SD1-1		1
SD1-2		1
SD1-3		1
SD1-4		1
SD1-5		1
SD1-6		1
PW1-1		1
PW1-2		1
SF1-1		4
SW1-1		2
SW1-2		2
SW3-2		1
CW2-1		10
PS1		2
SPA5		1
PPA1		2
PPA2		1
DP5		4
DP2		2
PP1		2
PS6		1






NO.	PART.	Qty.
PS7		1
SP3		1
DA1L		1
DA1R		1
DA1		1
DA2L		1
DA2R		1
DA2		1
SA3		1
SG2		4
SG1		2
SG6		4
SG14		4
SG7-1		1
SG7-2		1
BY		2
SG9		5
SG8		2
SG19		1
SS6		1
PS5		2

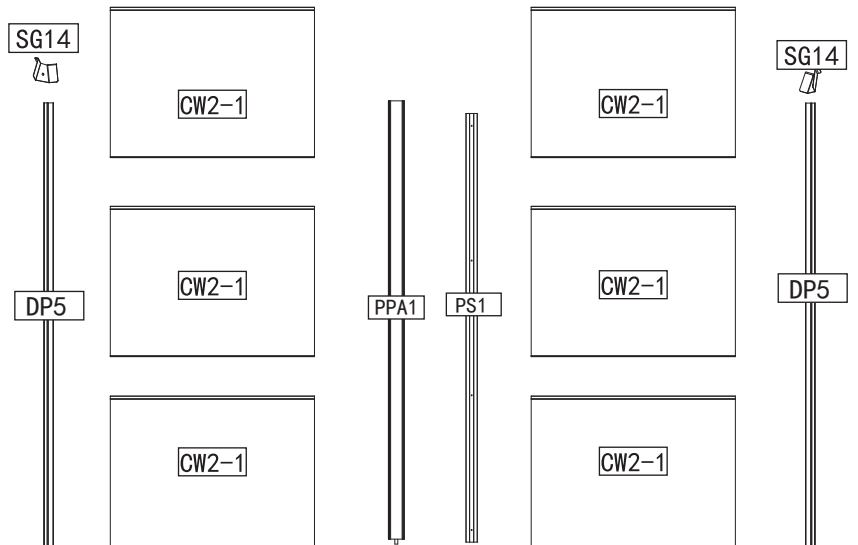





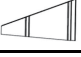





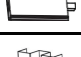
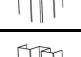

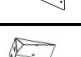
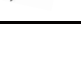
- Use spatula  (part "SG8") for easier insertion of panel into profile.
- Please ensure the panels are all installed on position before screwing.

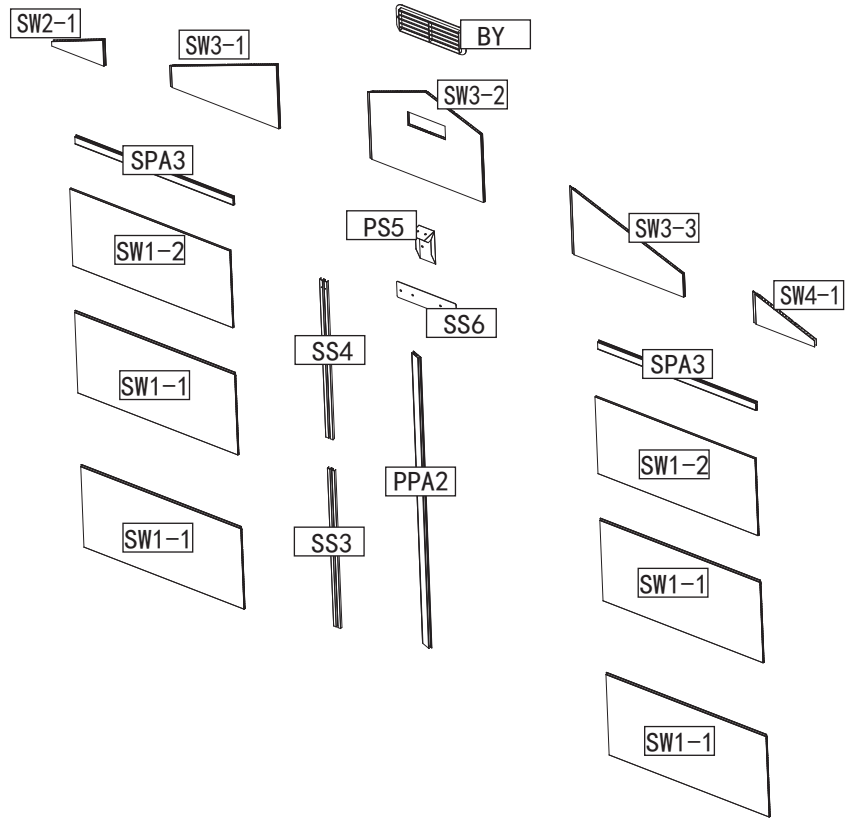
FLOOR PARTS		
NO.	PART.	Qty.
SF1-1		4
SF1-2		2
SP1		2
SP2		2
SP3		1
DP2		2
SG6		4
SG7-1		1
SG7-2		1
SPA5		1
SG19		1



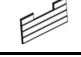

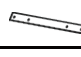

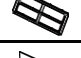






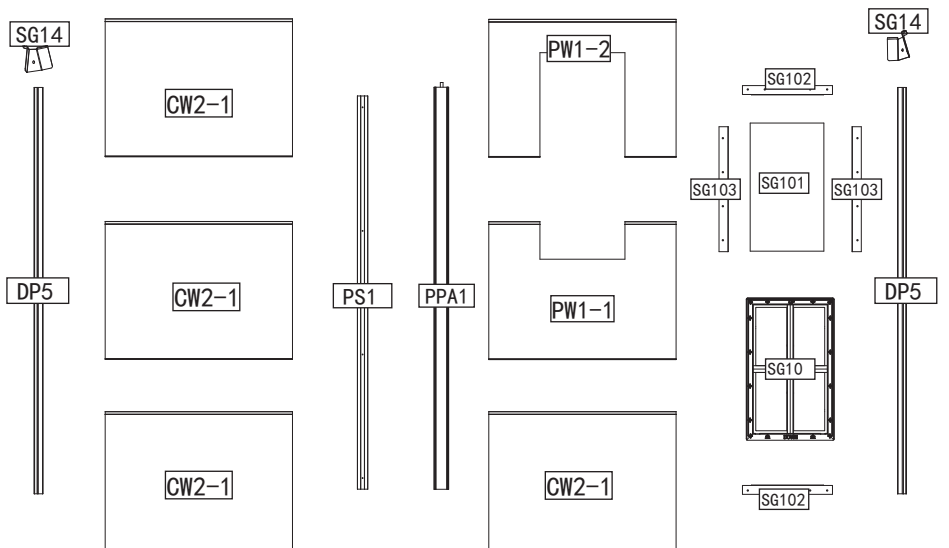
LEFT SIDE		
NO.	PART.	Qty.
DP5		2
PS1		1
PPA1		1
CW2-1		6
SG14		2






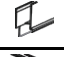





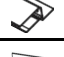




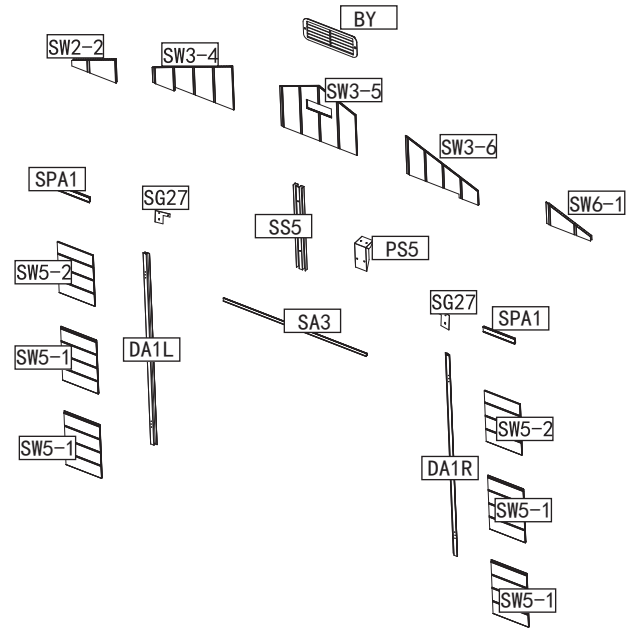
REAR SIDE		
NO.	PART.	Qty.
SW1-1		4
SW1-2		2
SW2-1		1
SW4-1		1
SW3-1		1
SW3-3		1
SW3-2		1
BY		1
SPA3		2
PPA2		1
SS4		1
SS3		1
SS6		1
PS5		1

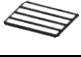

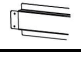

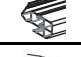
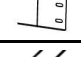
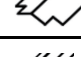
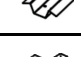

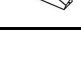


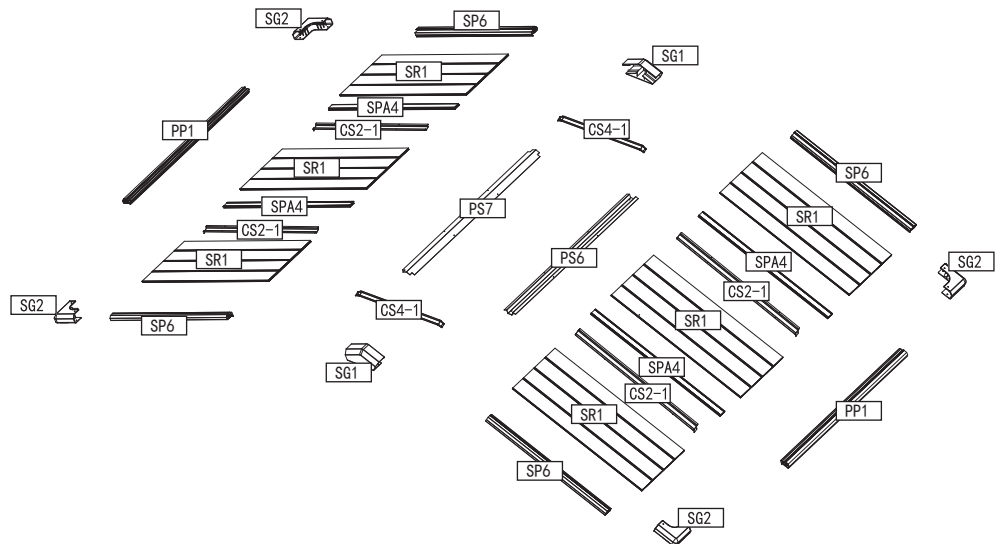
RIGHT SIDE		
NO.	PART.	Qty.
DP5		2
CW2-1		4
PW1-1		1
PW1-2		1
SG102		2
SG103		2
SG10		1
SG101		1
PS1		1
PPA1		1
SG14		2


















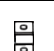


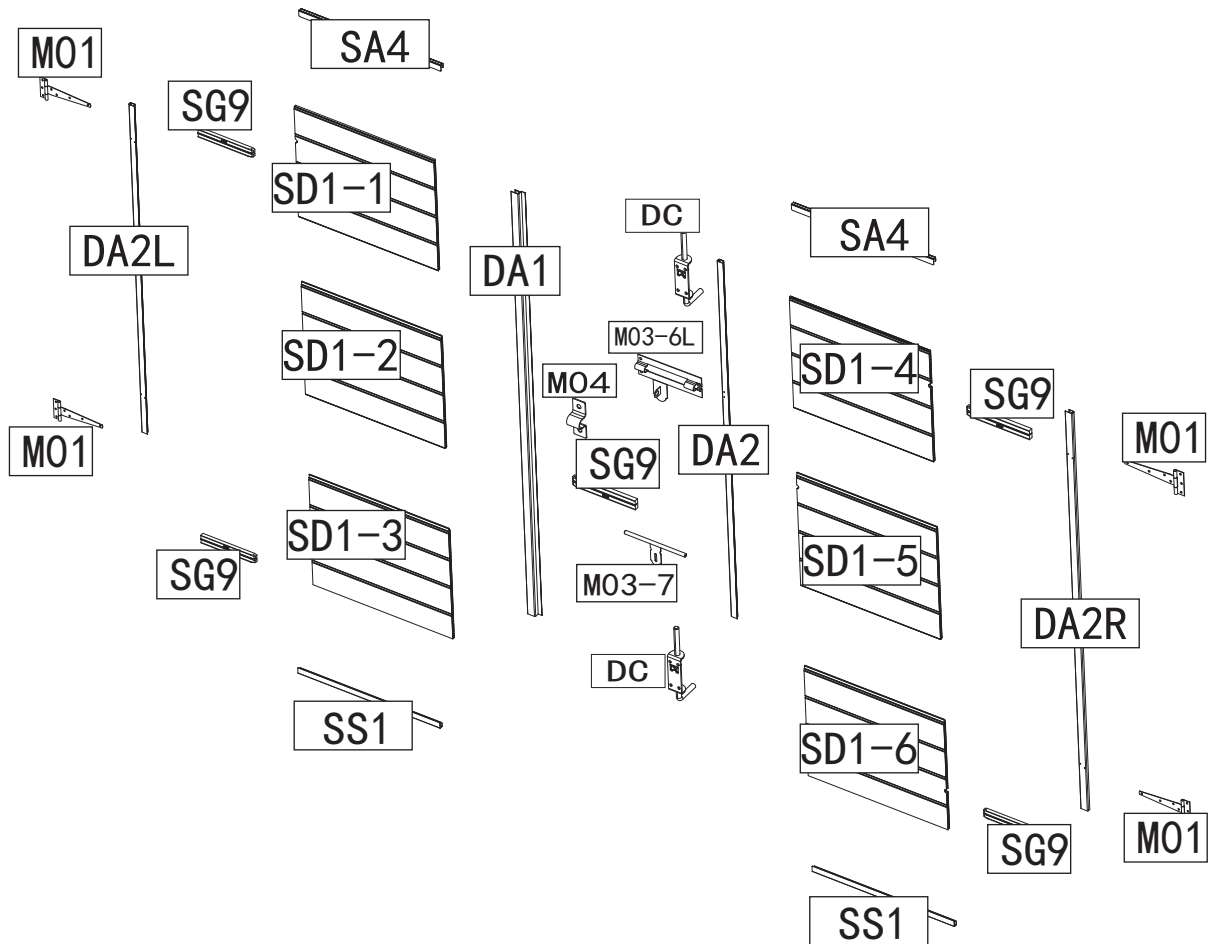
FRONT PARTS					
NO.	PART.	Qty.	NO.	PART.	Qty.
SW5-1		4	SS5		1
SW5-2		2	PS5		1
SW3-5		1	SA3		1
SW2-2		1	SPA1		2
SW3-4		1	DA1L		1
SW3-6		1	DA1R		1
SW6-1		1	SG27		2



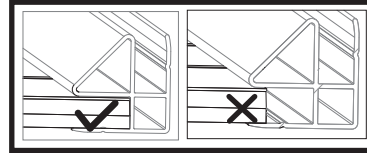
ROOF PARTS		
NO.	PART.	Qty.
SR1		6
SPA4		4
CS2-1		4
SP6		4
PP1		2
CS4-1		2
PS7		1
PS6		1
SG2		4
SG1		2



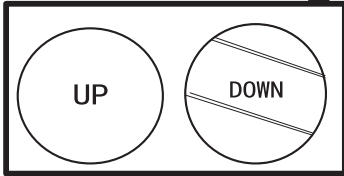
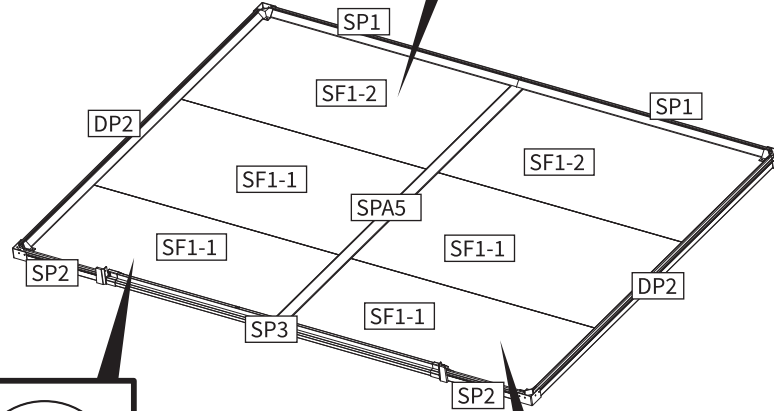
DOOR PARTS					
NO.	PART.	Qty.	NO.	PART.	Qty.
SD1-1		1	DA2		1
SD1-2		1	SA4		2
SD1-3		1	SS1		2
SD1-4		1	SG9		5
SD1-5		1	DC		2
SD1-6		1	M01		4
DA1		1	M03-6L		1
DA2L		1	M03-7		1
DA2R		1	M04		1



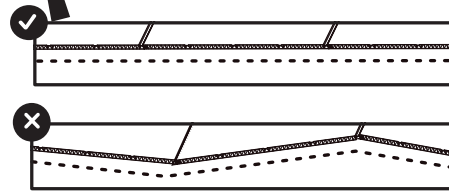
FLOOR ASSEMBLY



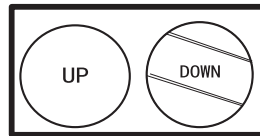
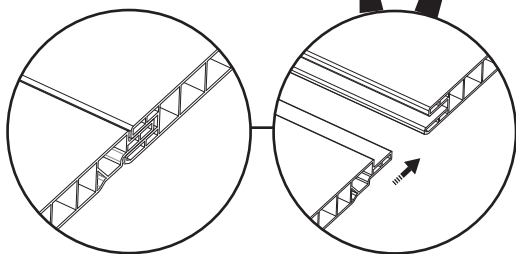
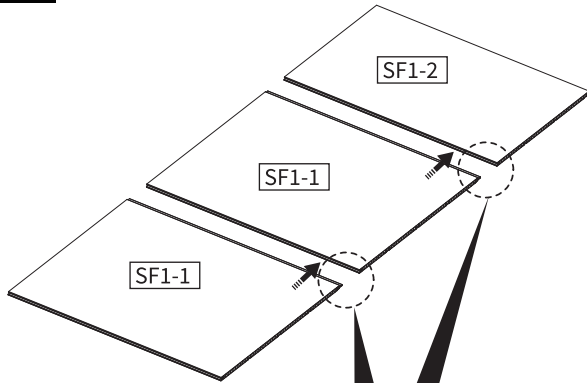
● Fully fit the panel inside the profile



The crease line of the floor must be underneath

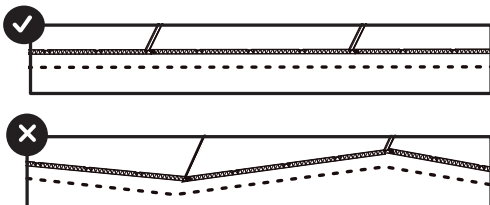
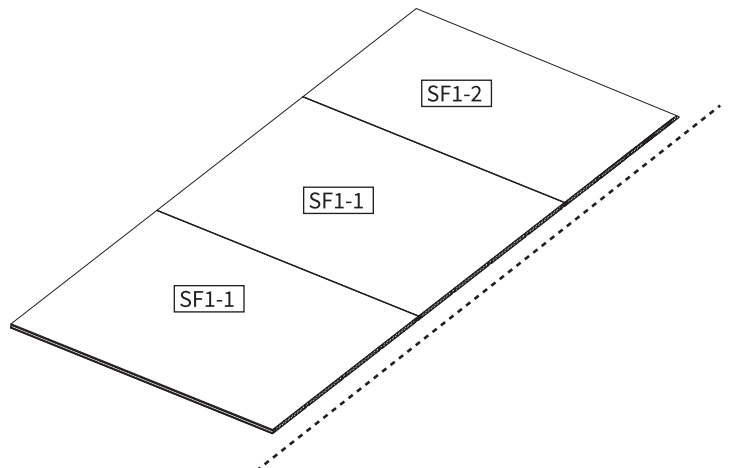


Step 1

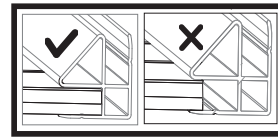
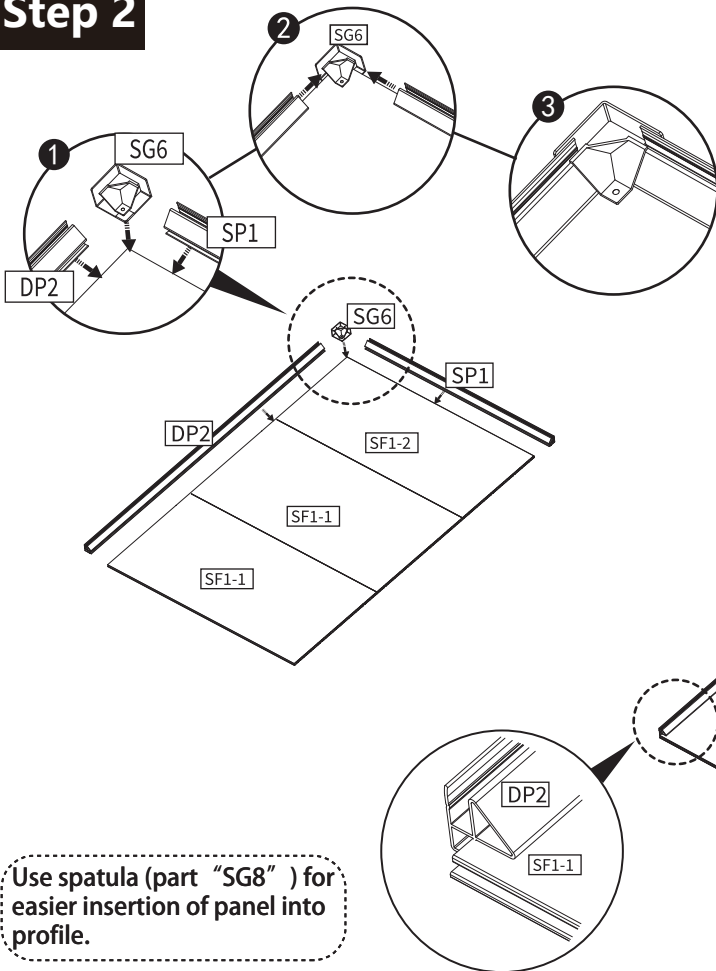


The crease line of the floor must be underneath.

SF1-1		2 PC
SF1-2		1 PC




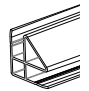
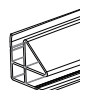

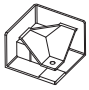
Step 2



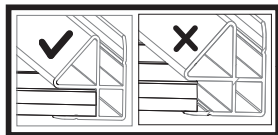
● Fully fit the panel inside the profile

● Make sure the board is in place and nailed.

Use spatula (part "SG8") for easier insertion of panel into profile.

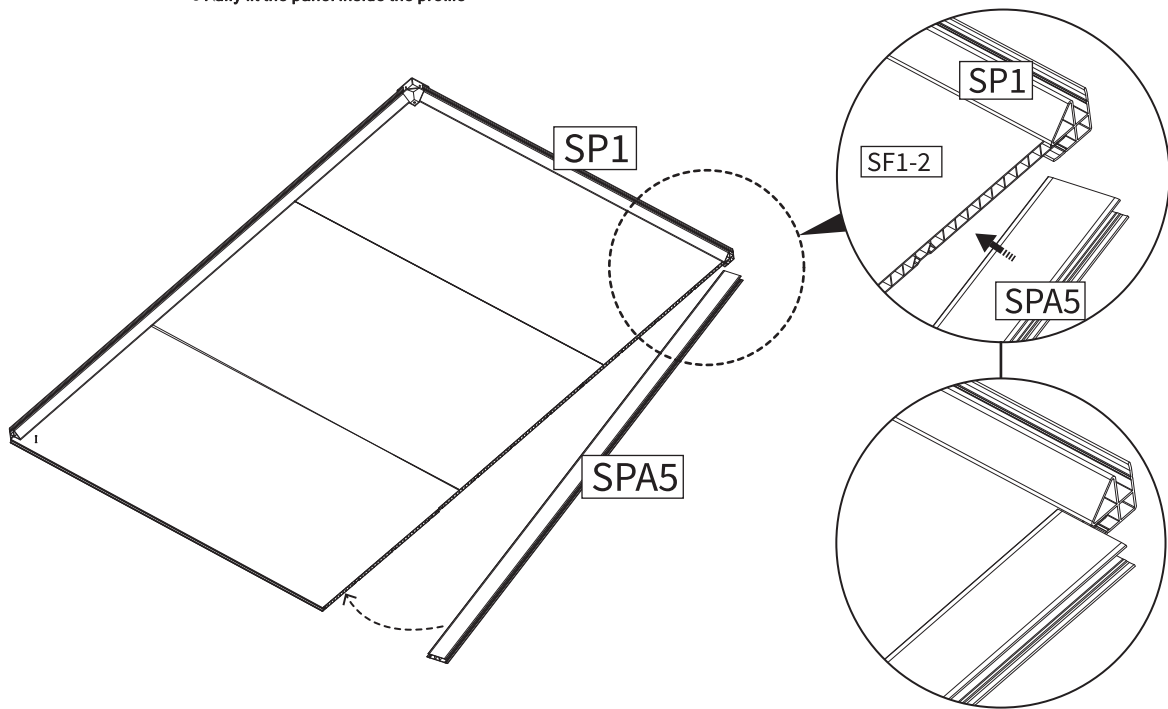
SG8	 1 PC
DP2	 1 PC
SP1	 1 PC
Z410	 1 PC
SG6	 1 PC



Step 3



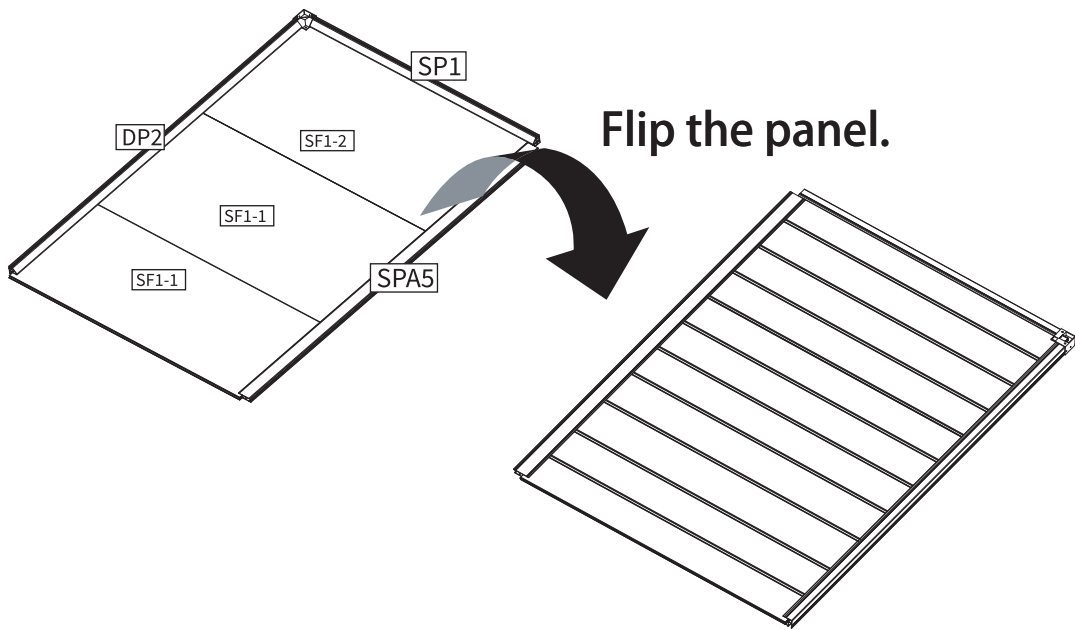
● Fully fit the panel inside the profile

Use spatula (part "SG8") for easier insertion of panel into profile.



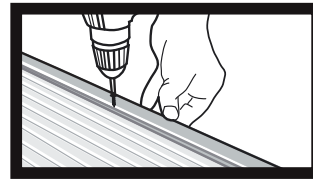
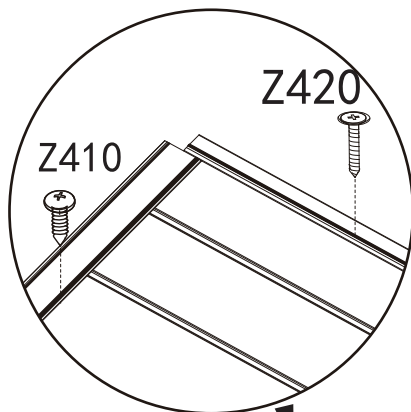
SPA5	 1 PC
SG8	

Step 4



Step 5

- Make sure the board is in place and nailed.



Screw along the marked lines in profile

Caution:

Please use Drill to predrill a hole at depth 1mm before screw.



Z420

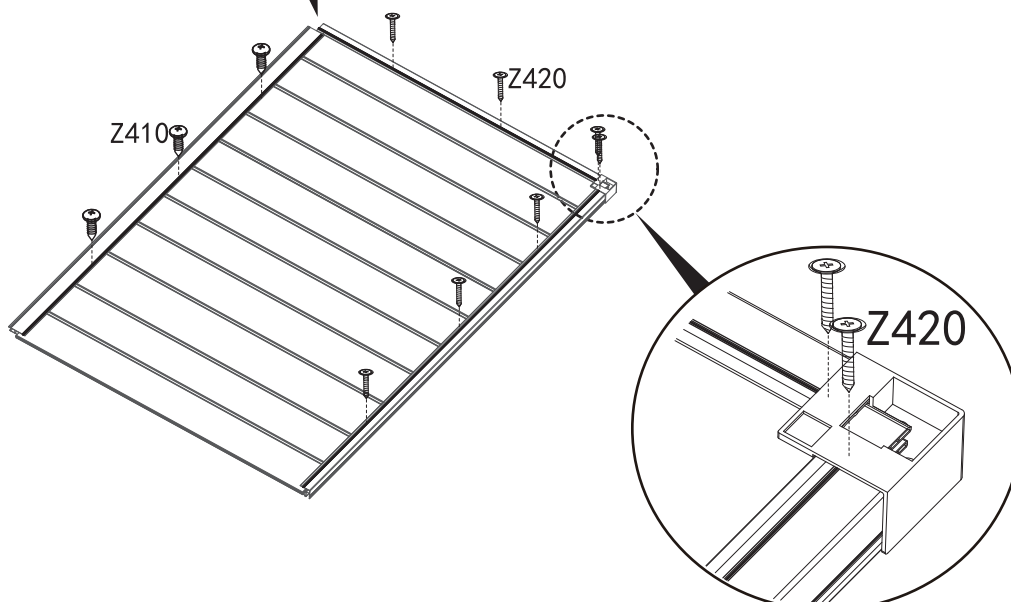


7 PC

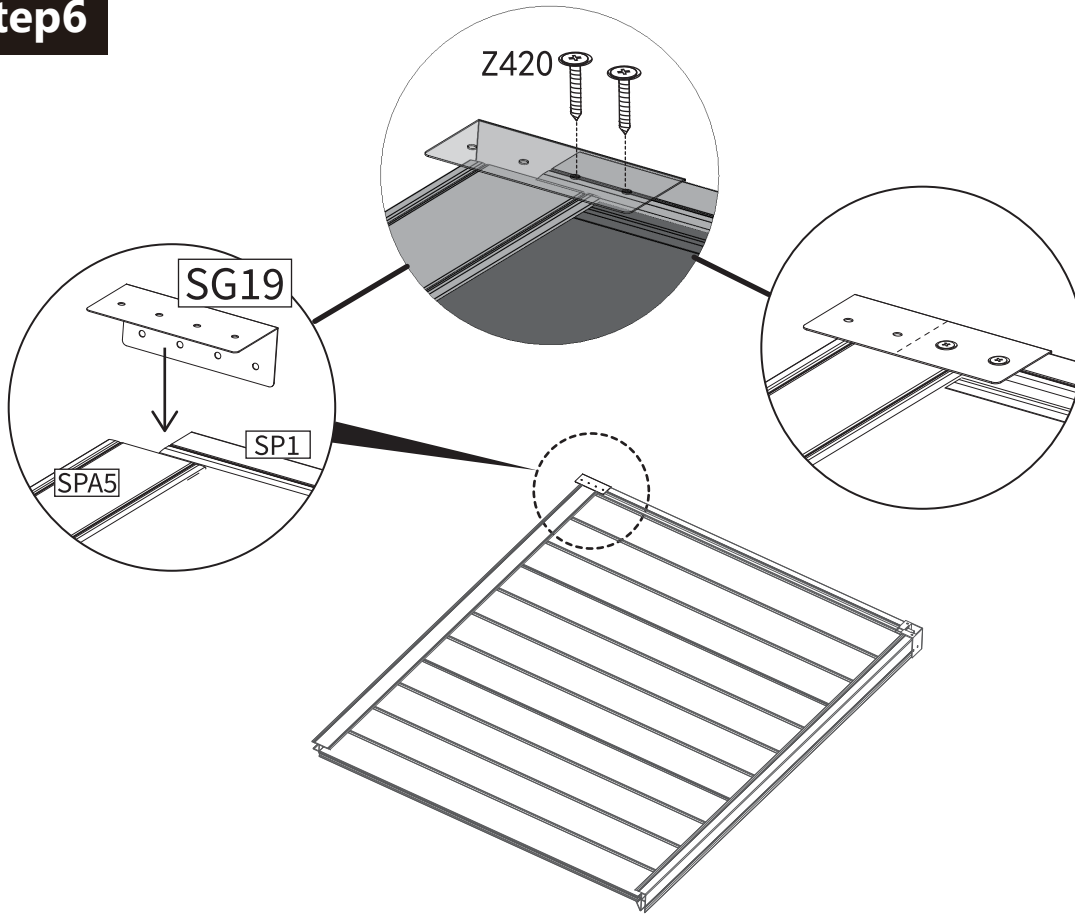
Z410



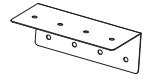
3 PC



Step 6

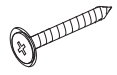


SG19



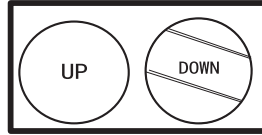
1 PC

Z420

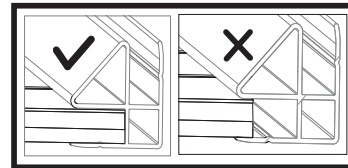


2 PC

Step 7



The crease line of the floor must be underneath.



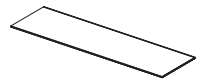
● Fully fit the panel inside the profile

SP1

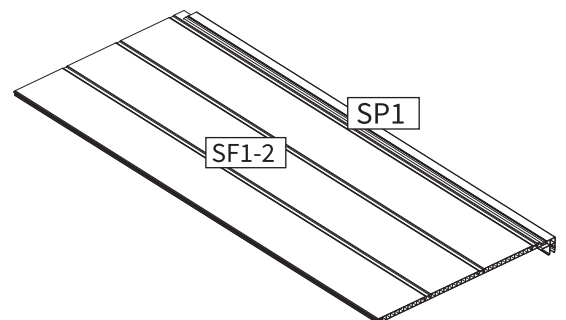
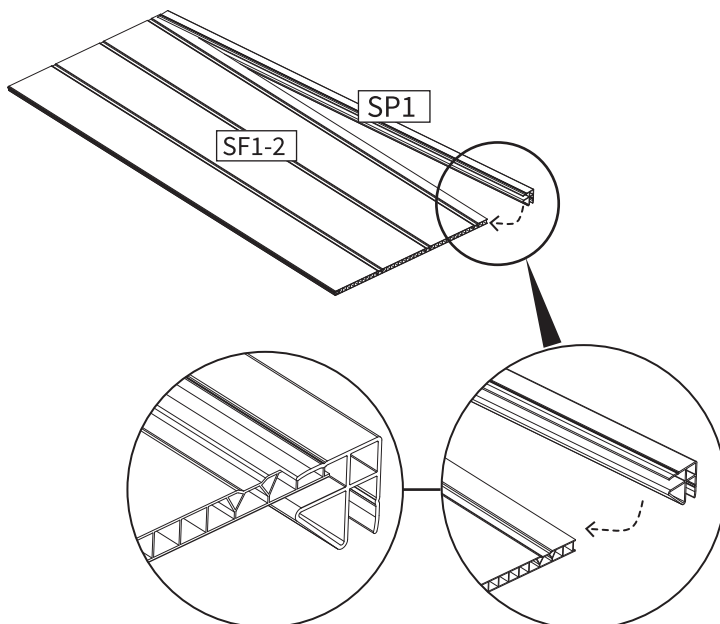


1 PC

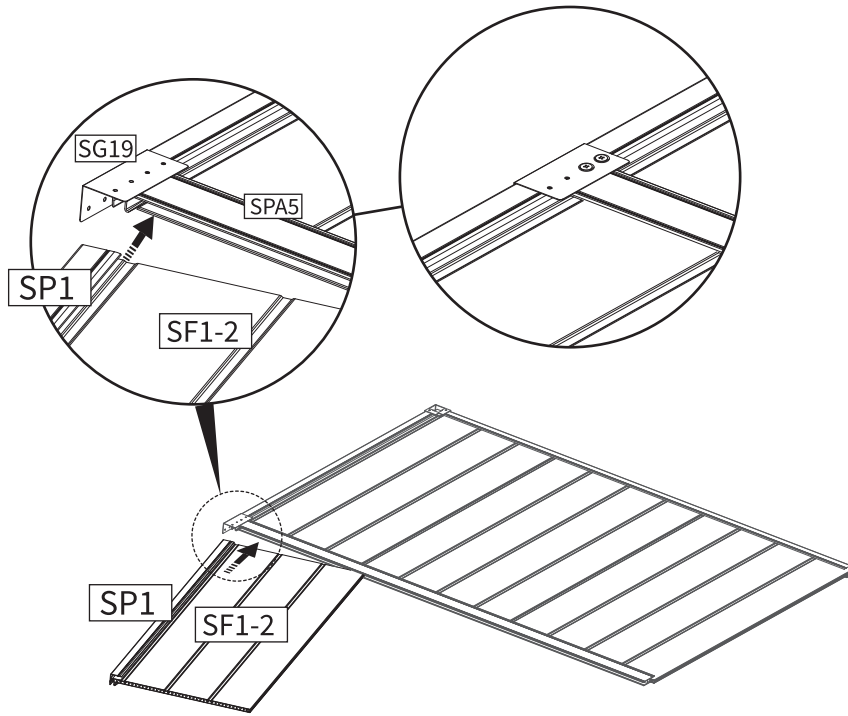
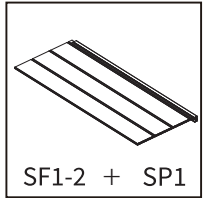
SF1-2



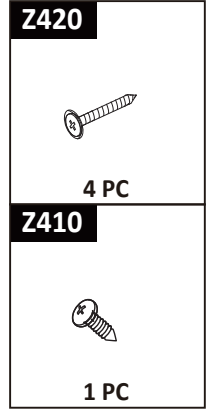
1 PC



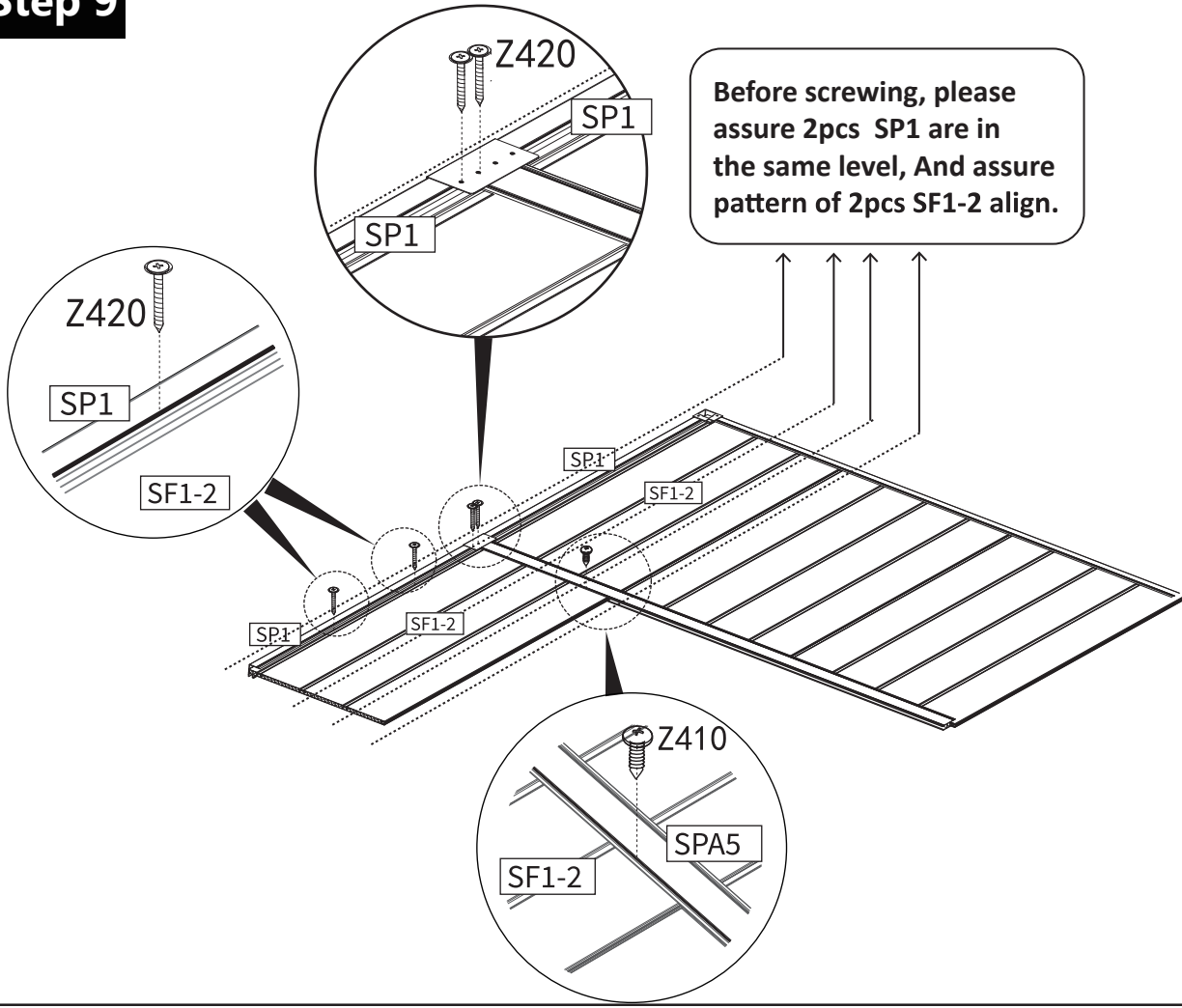
Step 8



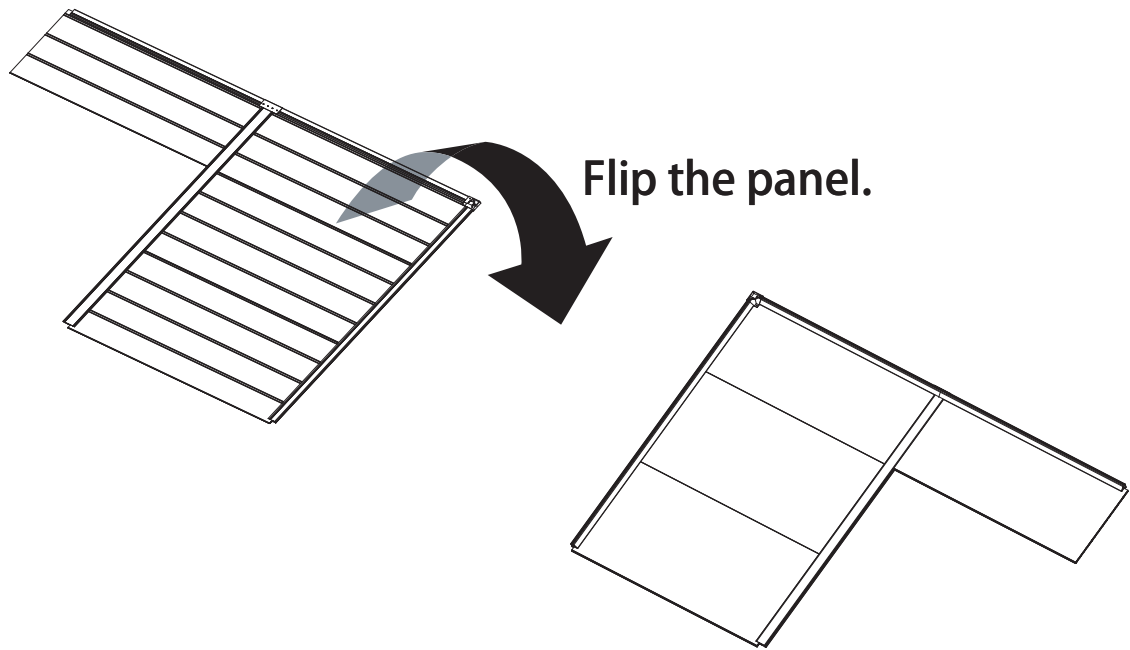
Step 9



Before screwing, please assure 2pcs SP1 are in the same level, And assure pattern of 2pcs SF1-2 align.



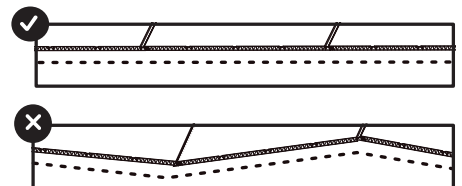
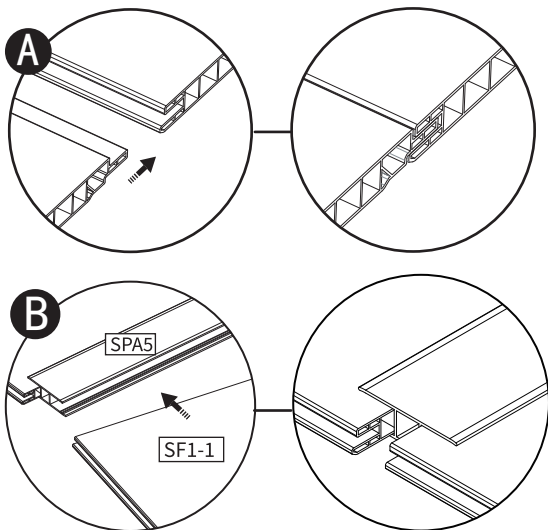
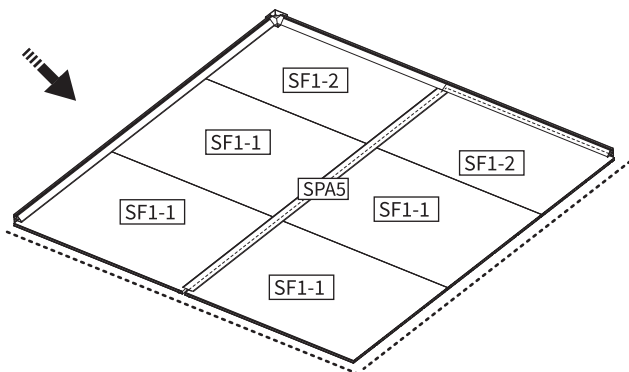
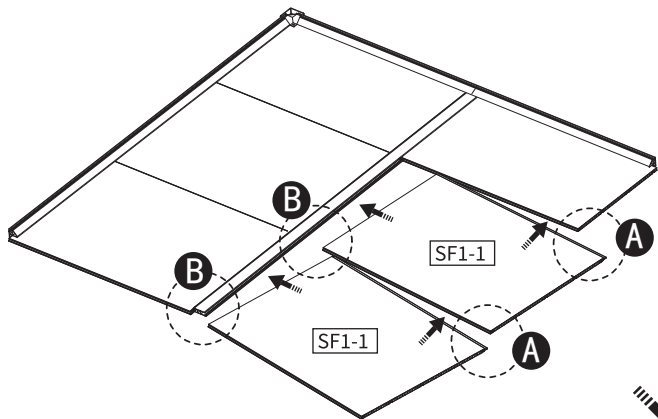
Step 10



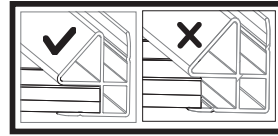
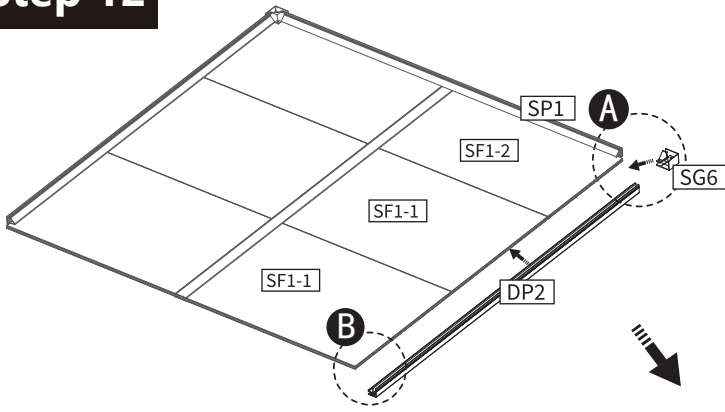
Step 11

Use spatula (part "SG8") for easier insertion of panel into profile.

SF1-1	
	2 PC
SG8	



Step 12



● Fully fit the panel inside the profile

DP2



1 PC

SG6

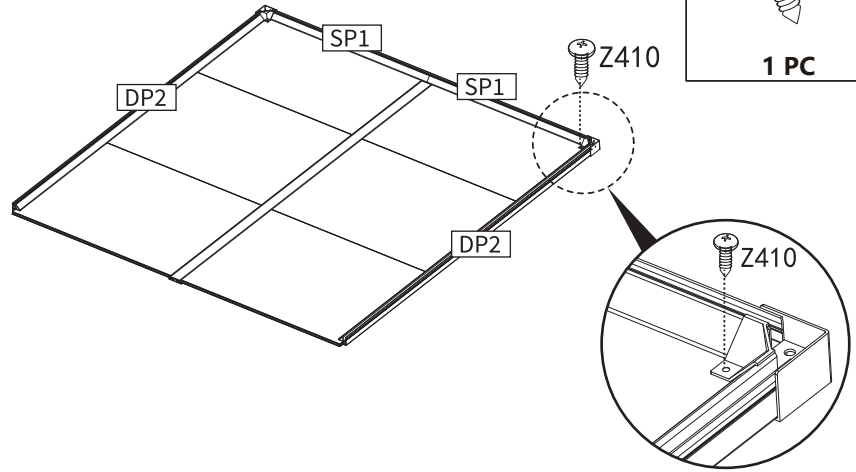
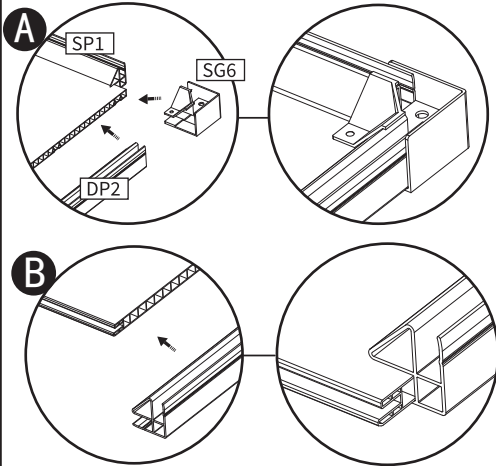


1 PC

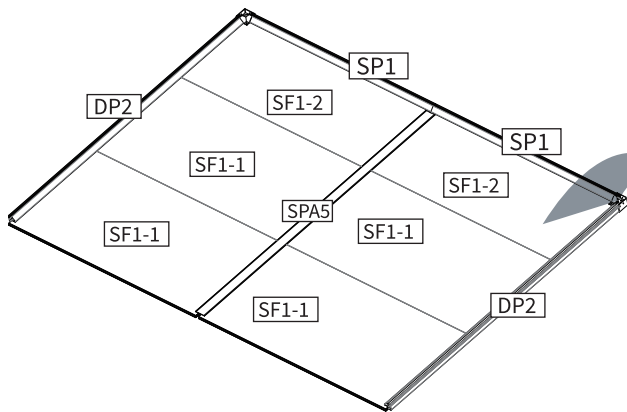
Z410



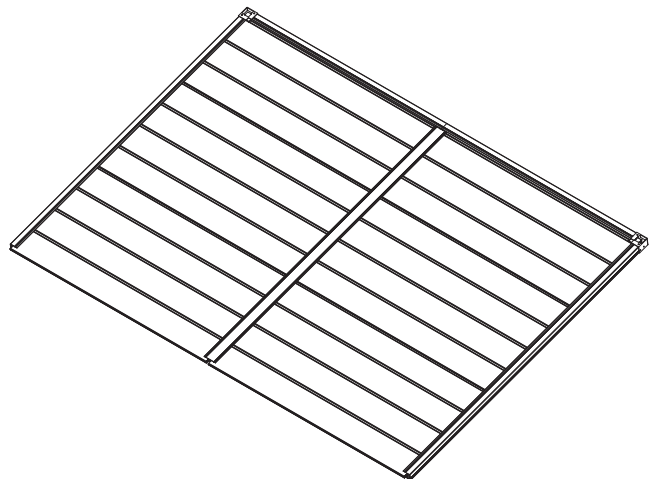
1 PC



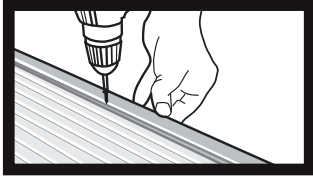
Step 13



Flip the panel.



Step 14



Screw along the marked lines in profile

Caution:

Please use Drill to predrill a hole at depth 1mm before screw.



Z420

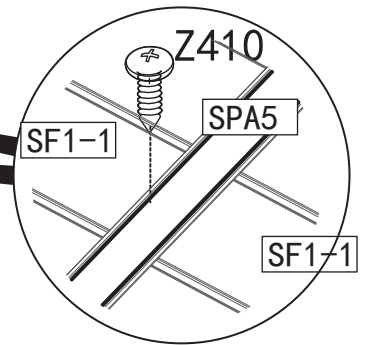
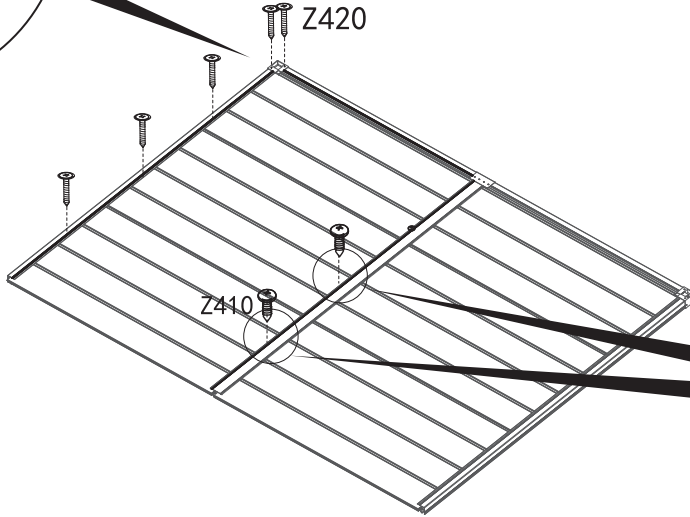
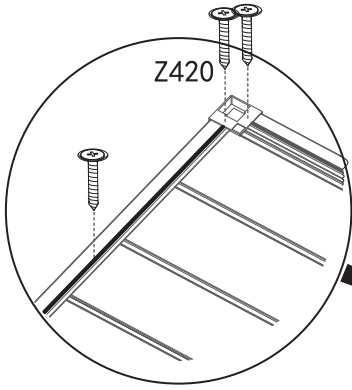


5 PC

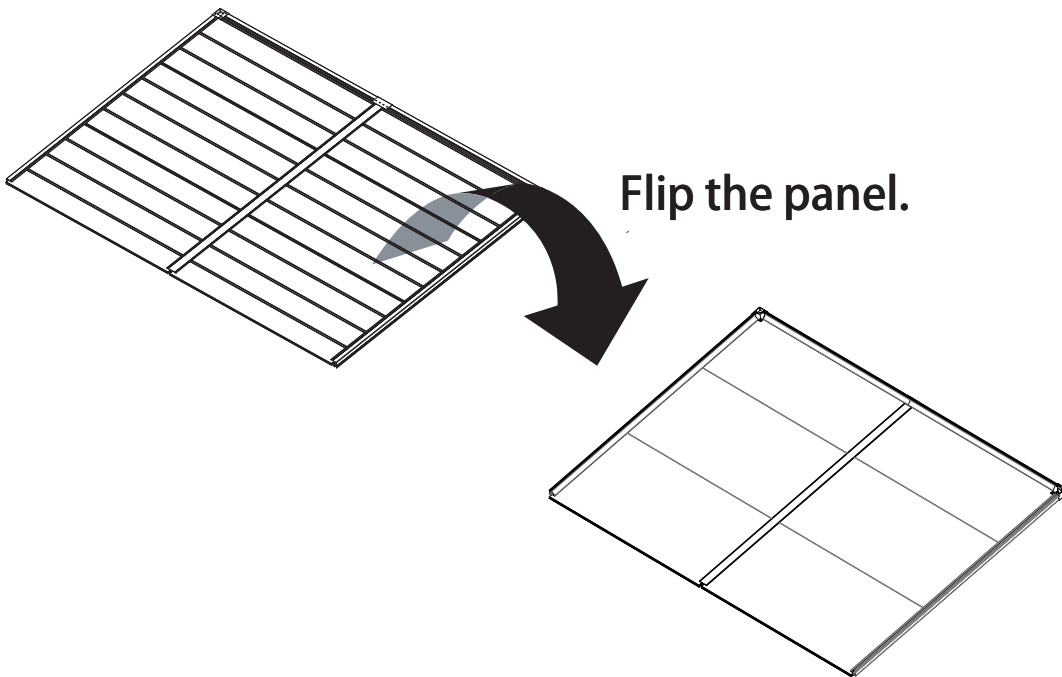
Z410



2 PC

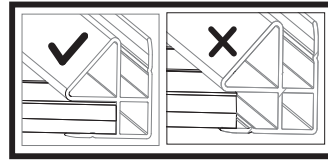
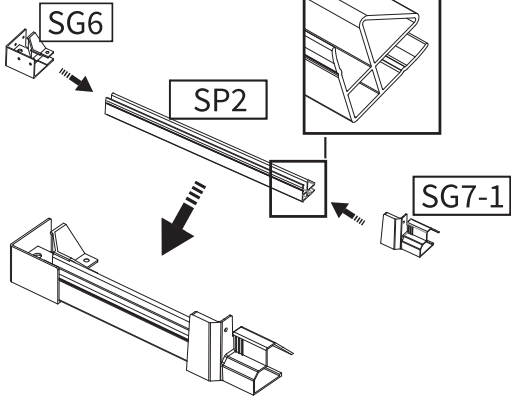


Step 15



Step 16

1



● Fully fit the panel inside the profile

SG6



1 PC

SP2



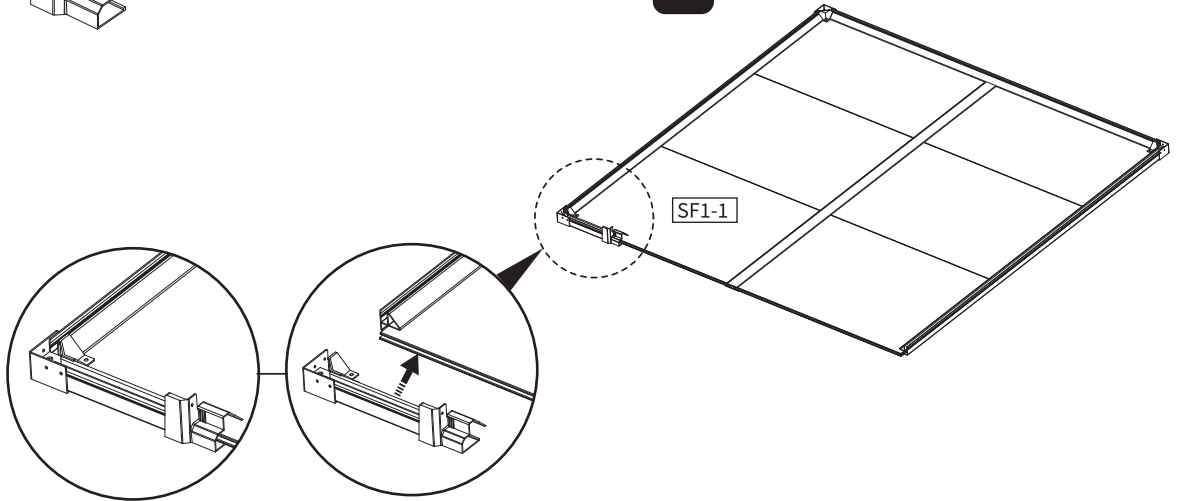
1 PC

SG7-1



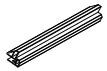
1 PC

2

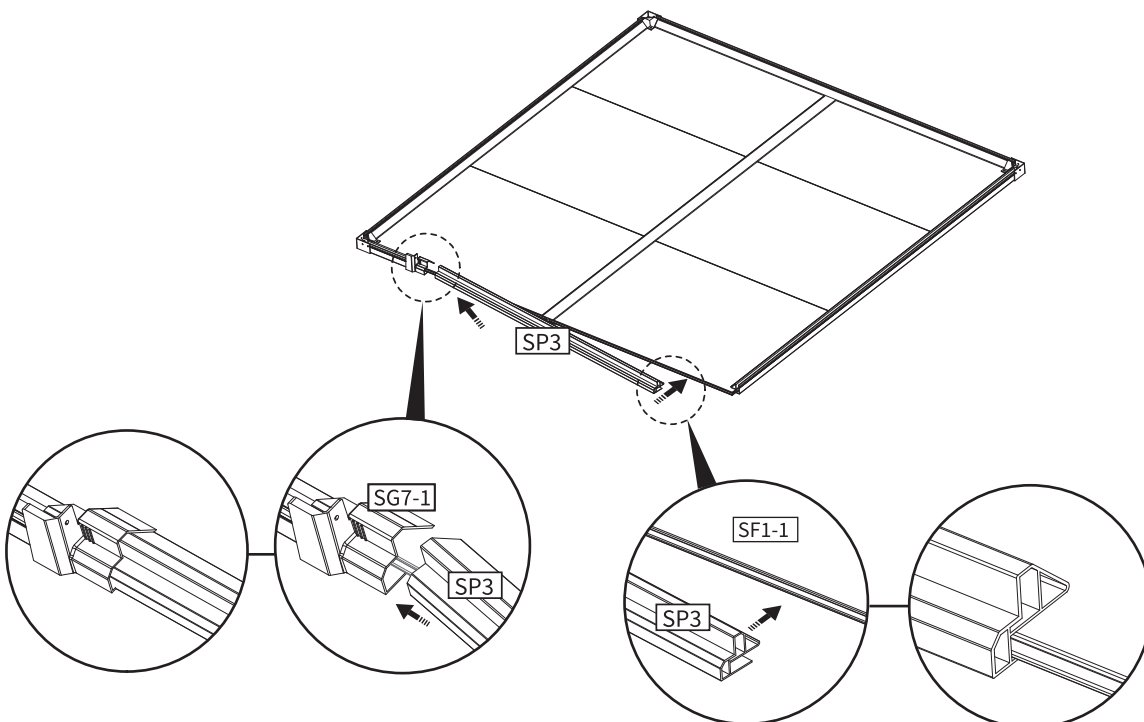


Step 17

SP3

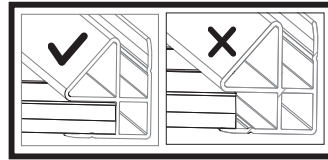
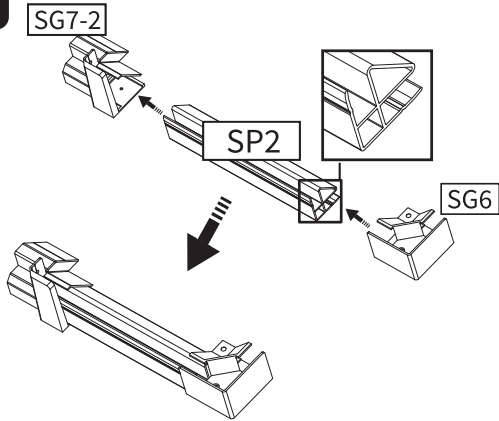


1 PC



Step 18

1



● Fully fit the panel inside the profile

SG6



1 PC

SP2



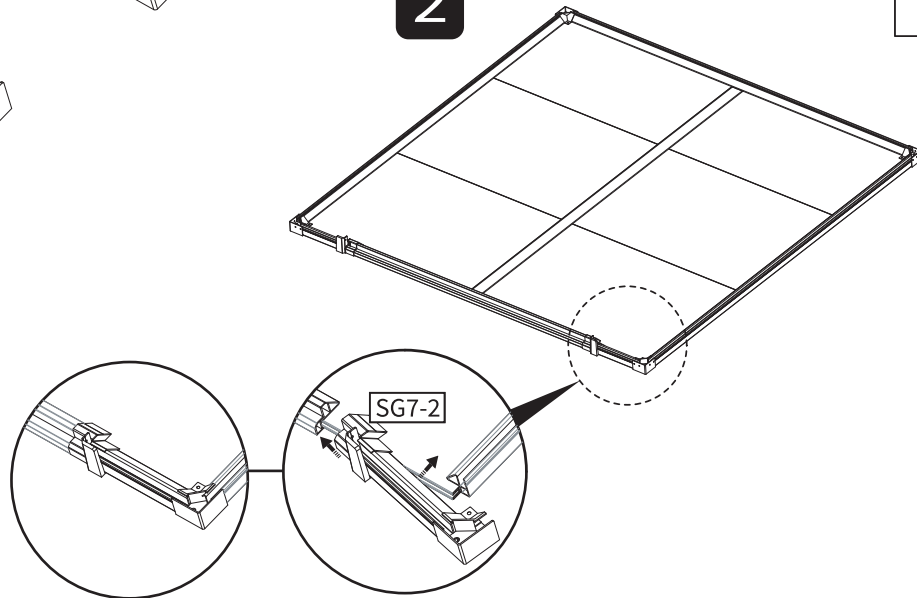
1 PC

SG7-2



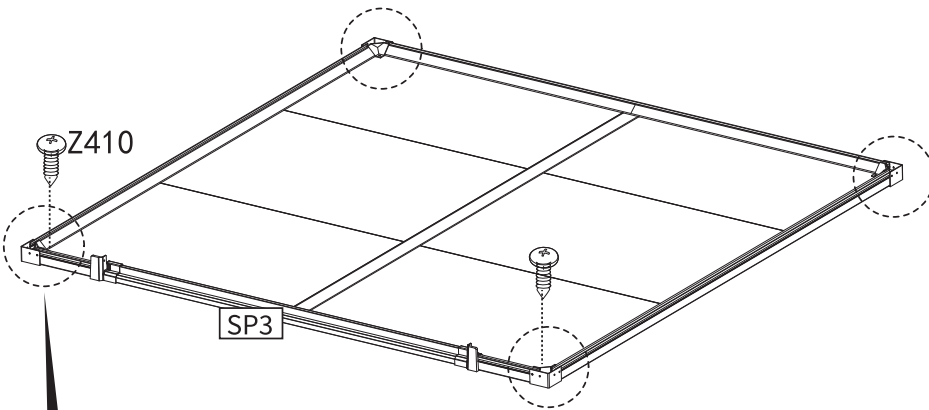
1 PC

2



Step 19

There are two installation methods for these four positions.



Z410

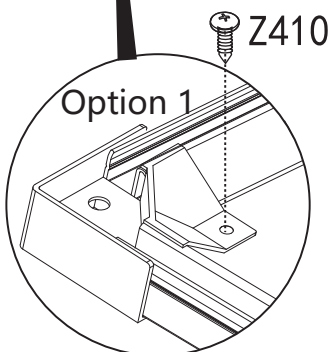


2 PC

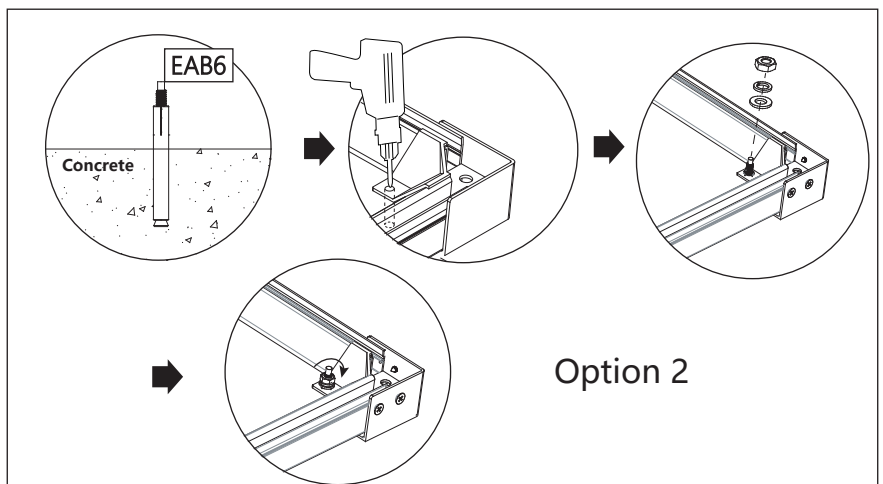
EAB6



4 PC

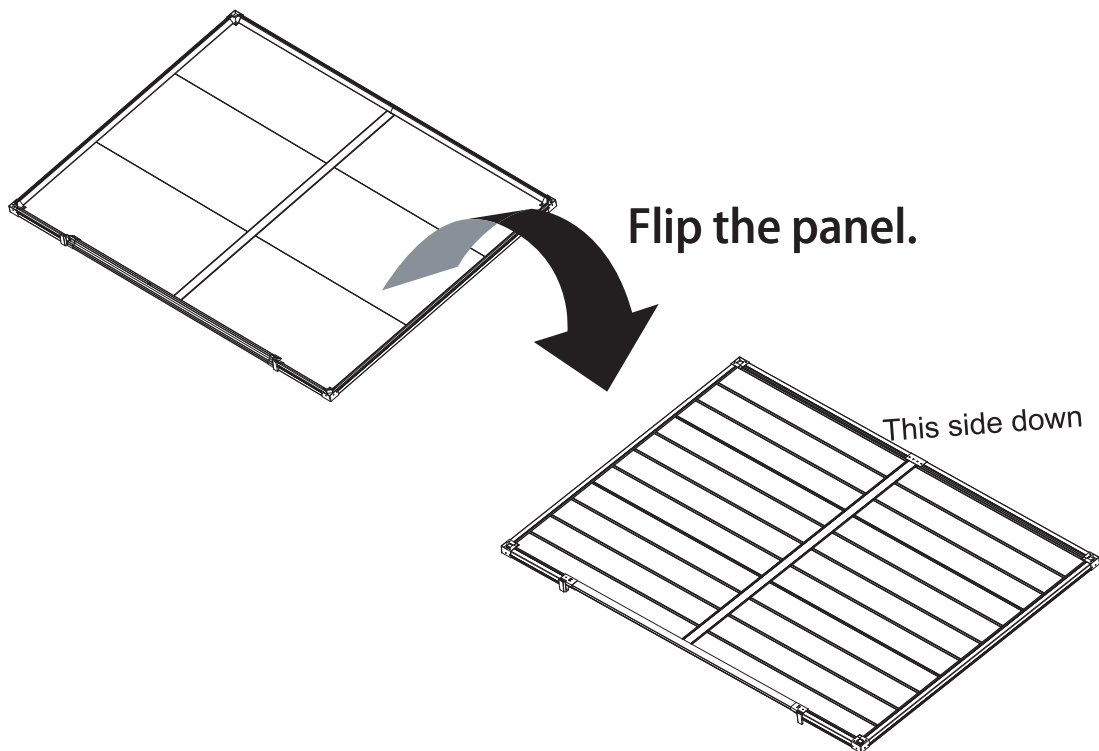


Option 1




Option 2

Step 20

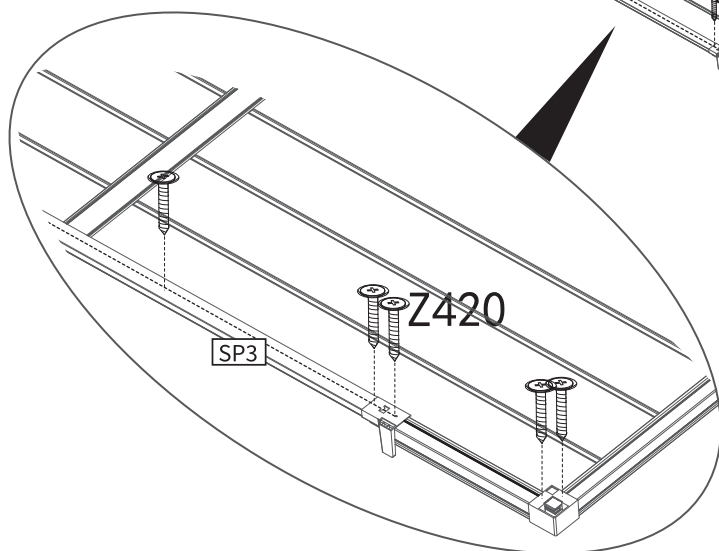
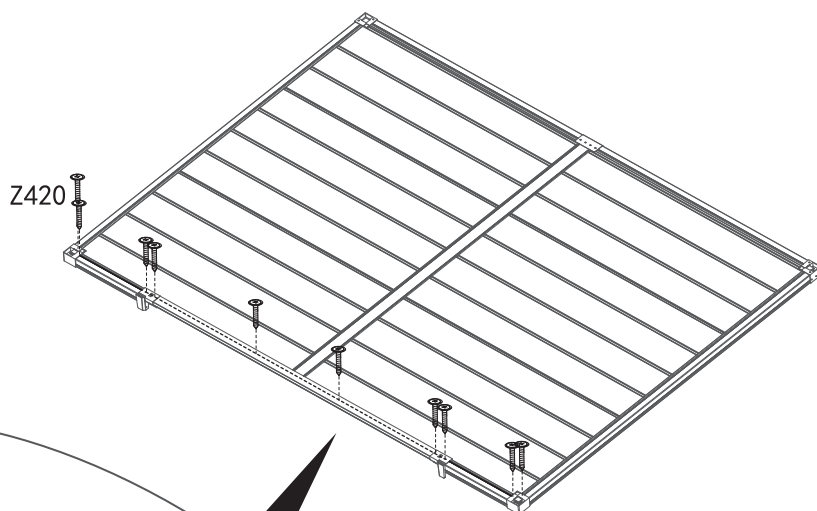



Step 21

Z420



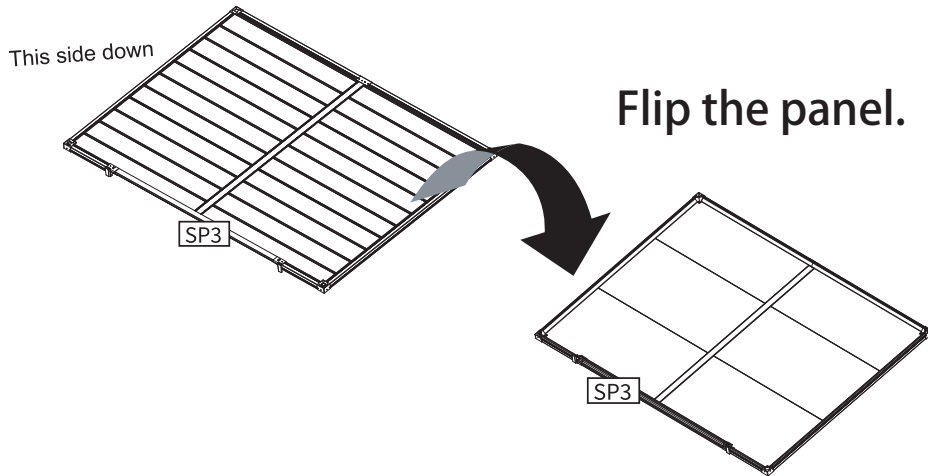
10 PC



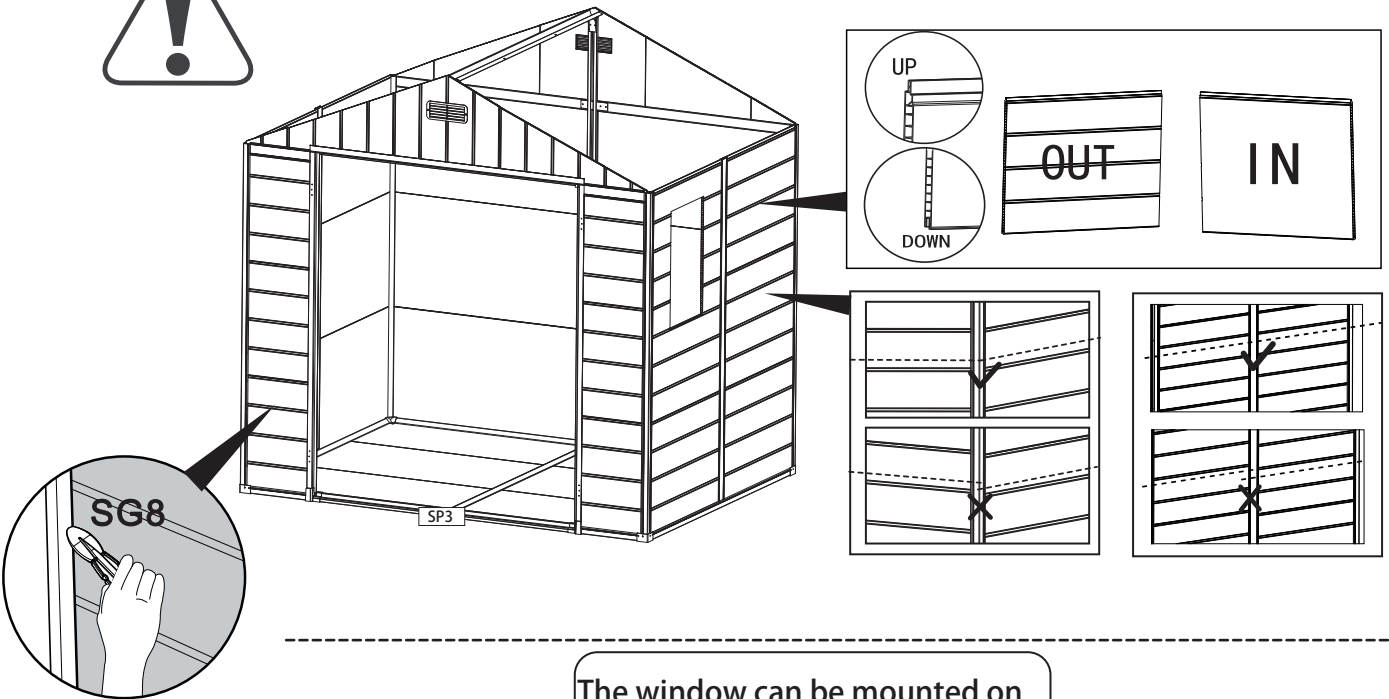
Caution:
Please use Drill  to predrill
a hole at depth 1mm before screw.



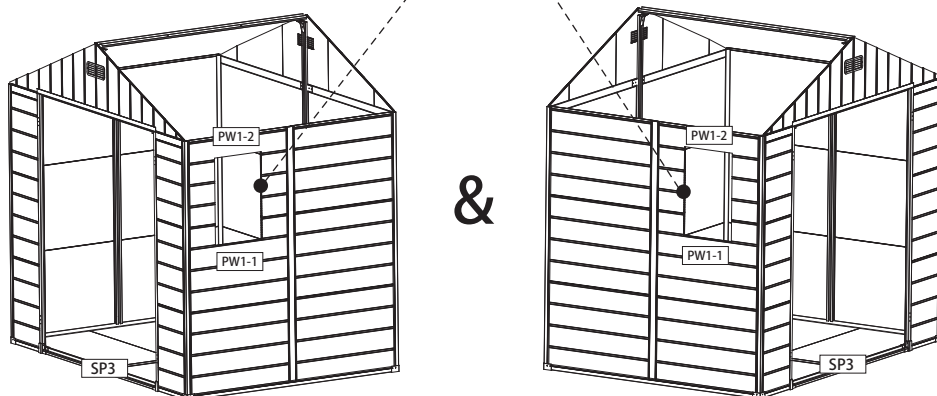
Step 22



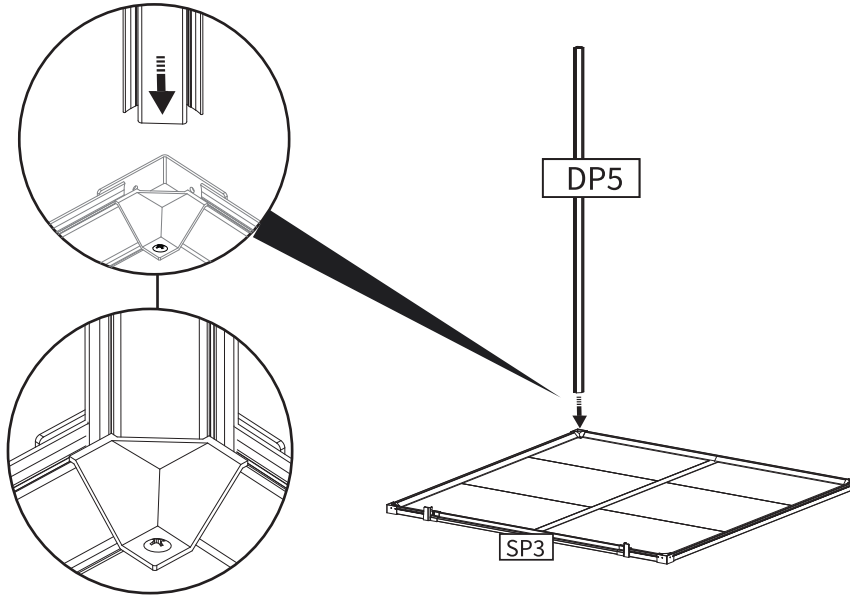
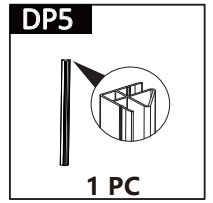
WALL ASSEMBLY



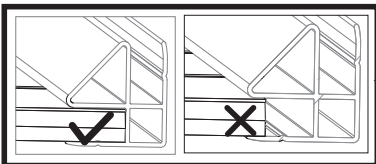
The window can be mounted on the left or also on the right.



Step 23

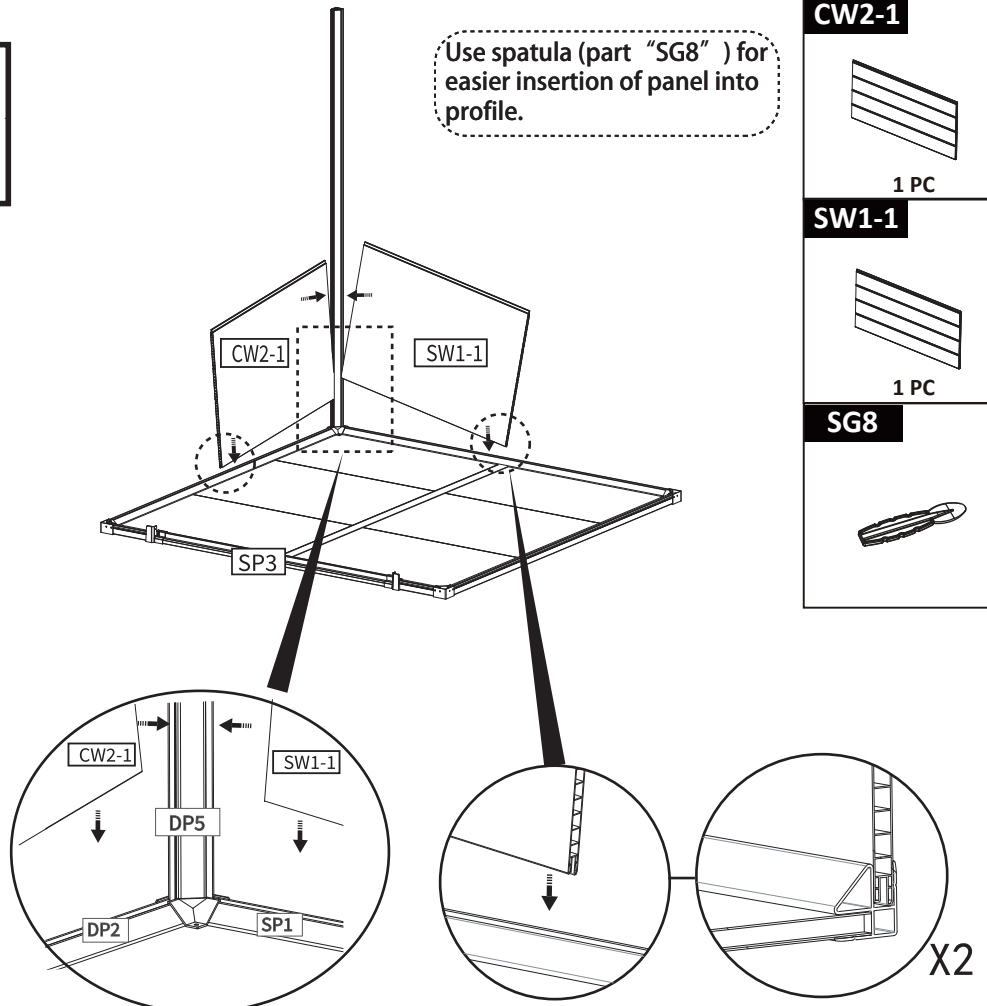
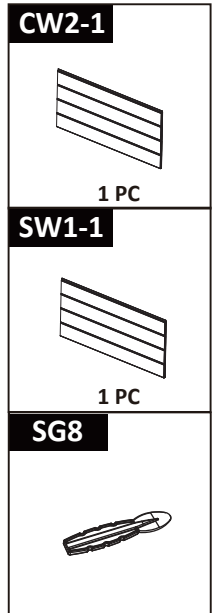


Step 24



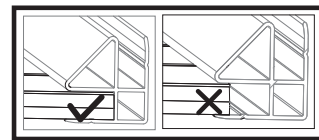
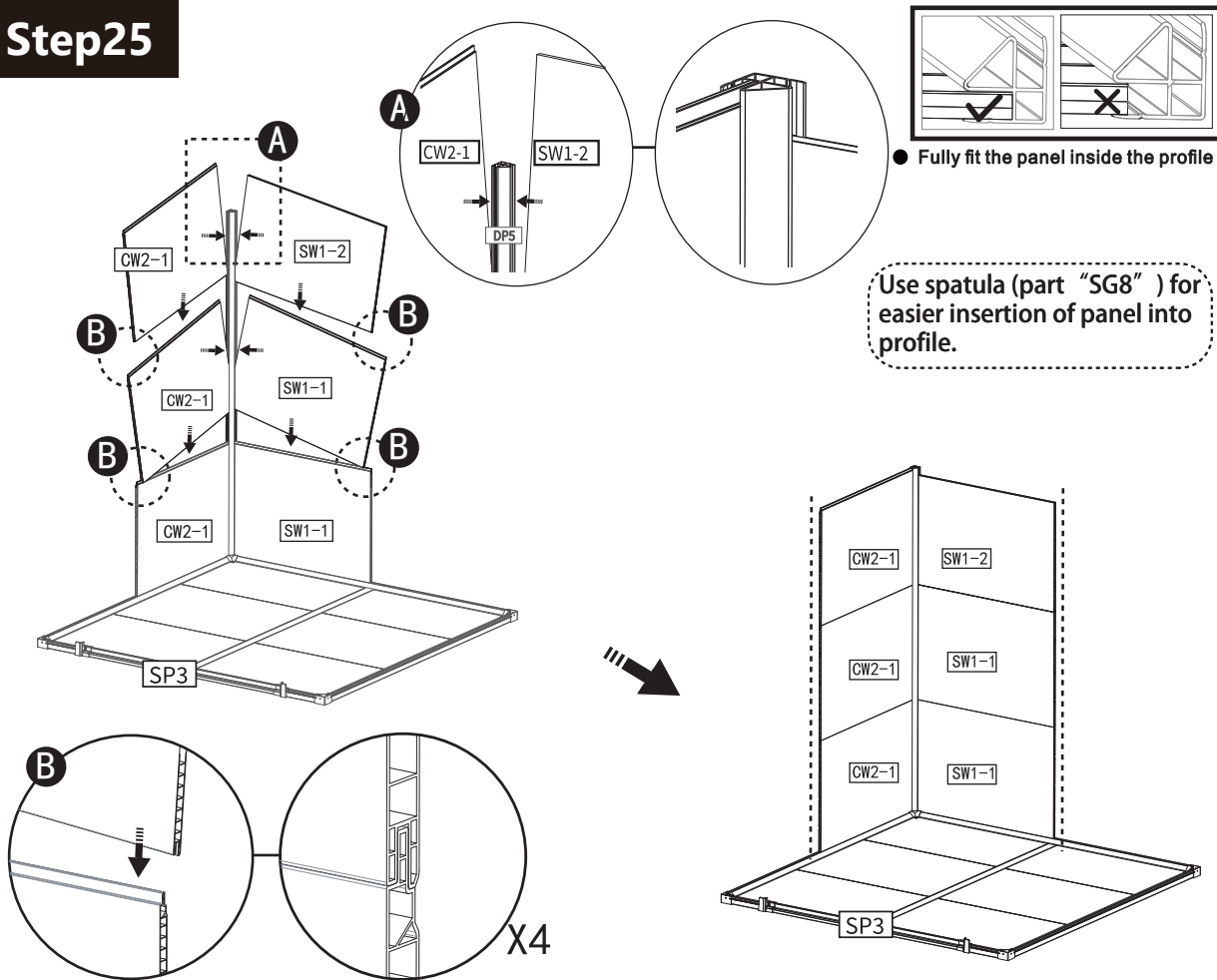
● Fully fit the panel inside the profile

Use spatula (part "SG8") for easier insertion of panel into profile.



X2

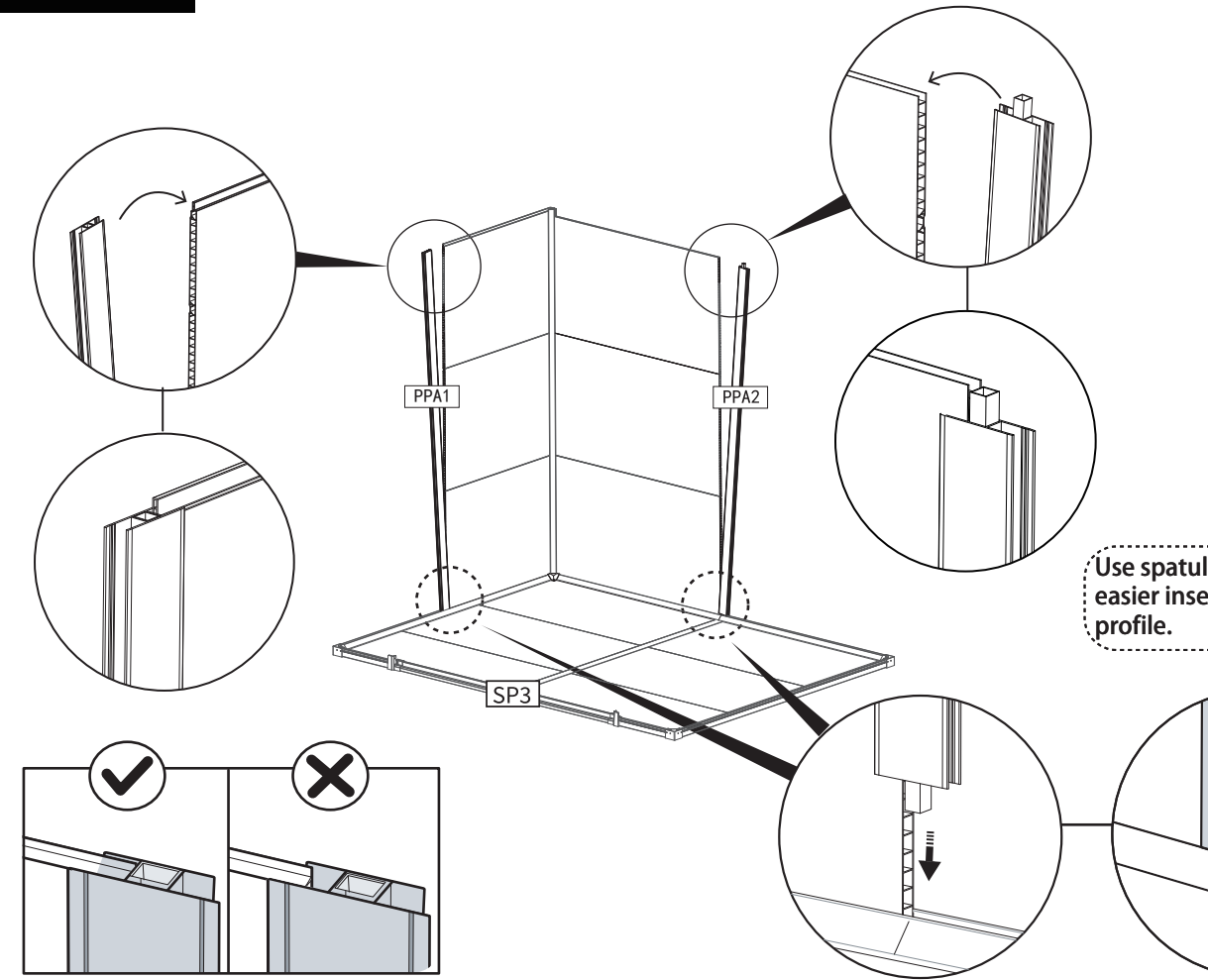
Step 25



Use spatula (part "SG8") for easier insertion of panel into profile.

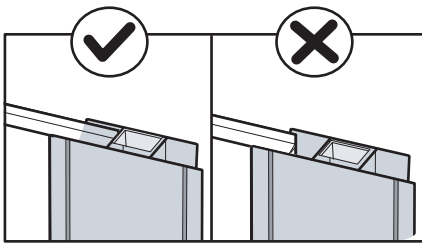
- CW2-1**
3 PC
- SW1-1**
2 PC
- SW1-2**
1 PC
- SG8**

Step 26



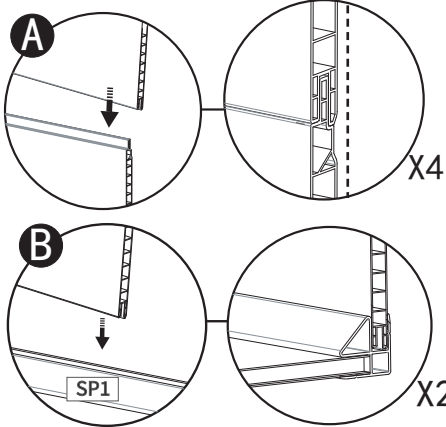
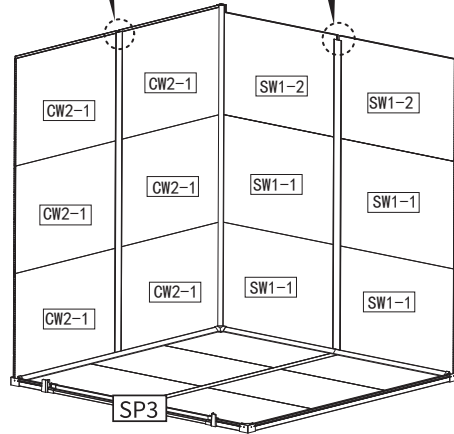
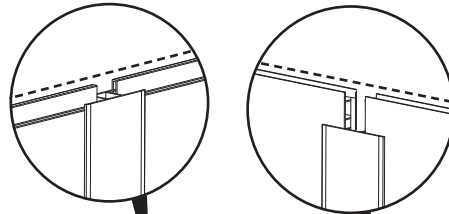
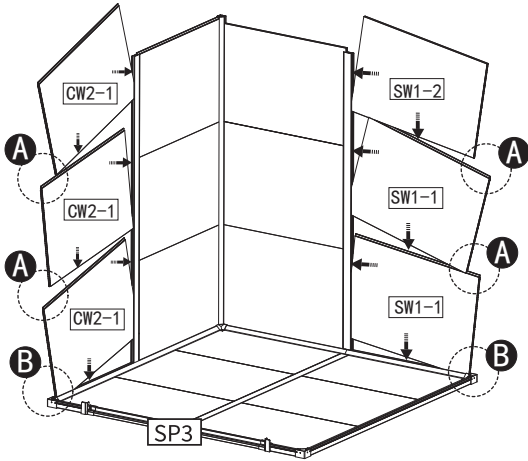
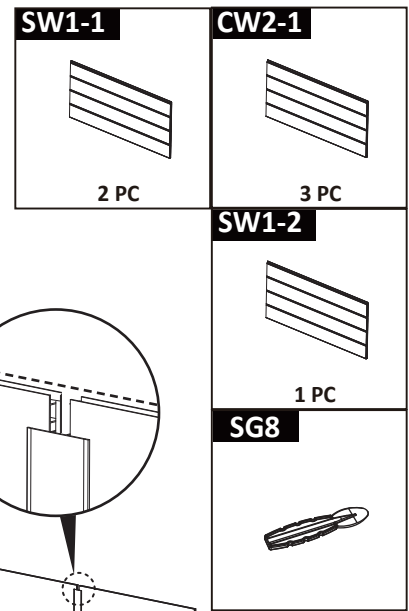
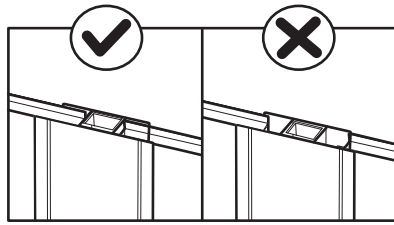
- PPA2**
1 PC
- PPA1**
1 PC
- SG8**

Use spatula (part "SG8") for easier insertion of panel into profile.

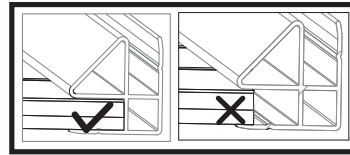


Step 27

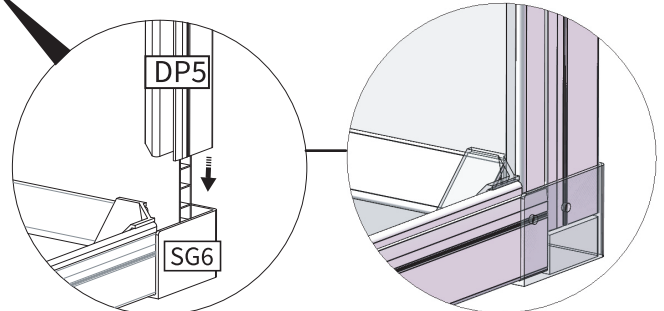
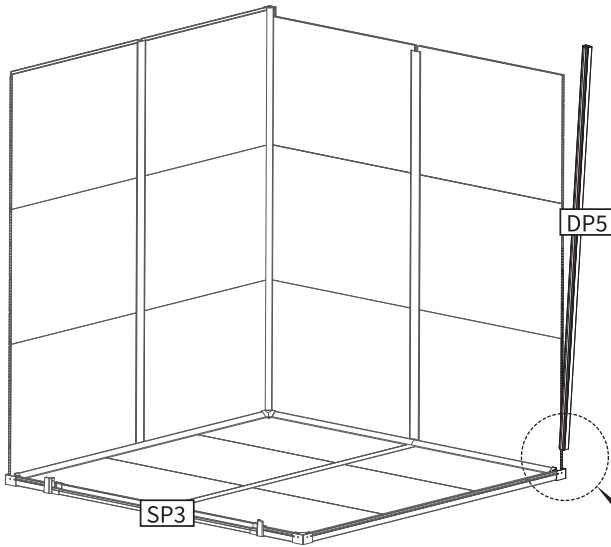
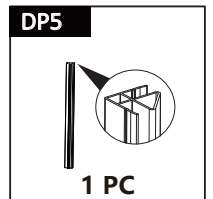
Use spatula (part "SG8") for easier insertion of panel into profile.



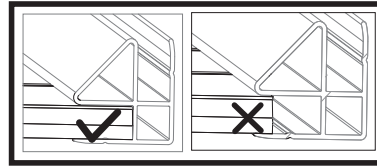
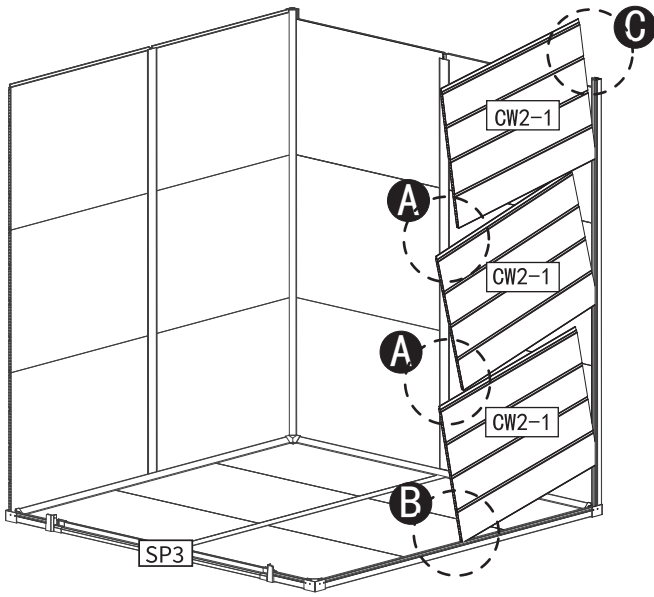
Step 28



● Fully fit the panel inside the profile



Step 29



- Fully fit the panel inside the profile

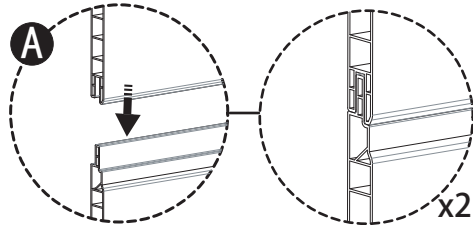
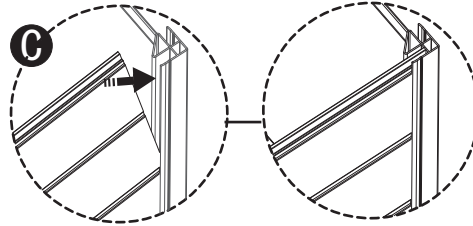
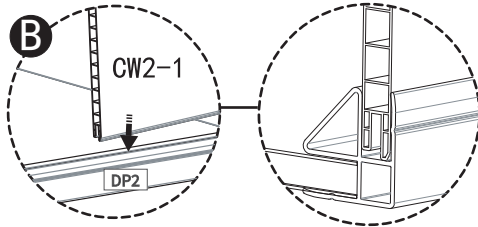
Use spatula (part "SG8") for easier insertion of panel into profile.

CW2-1

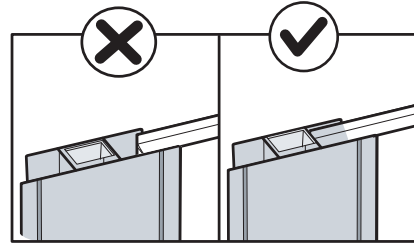
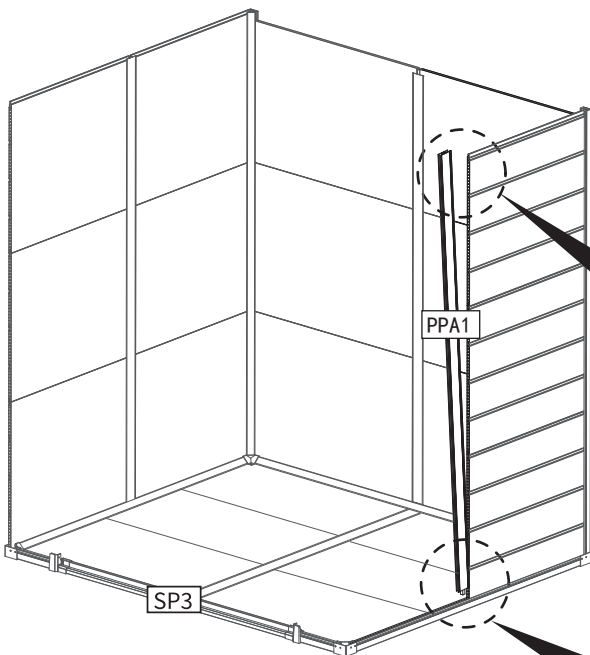


3 PC

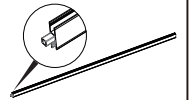
SG8



Step 30

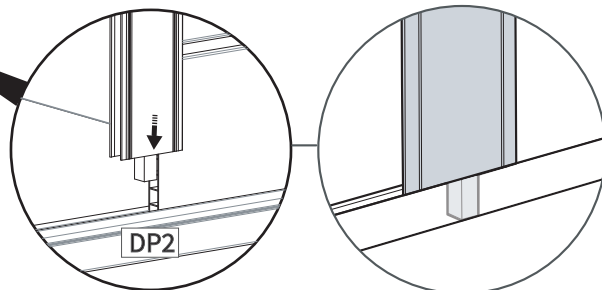
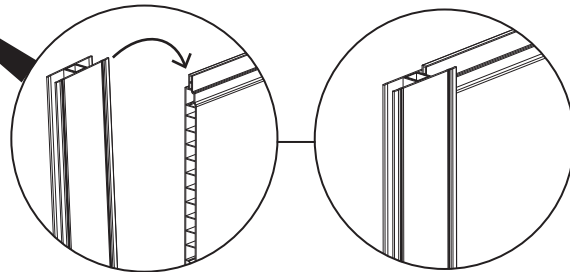


PPA1

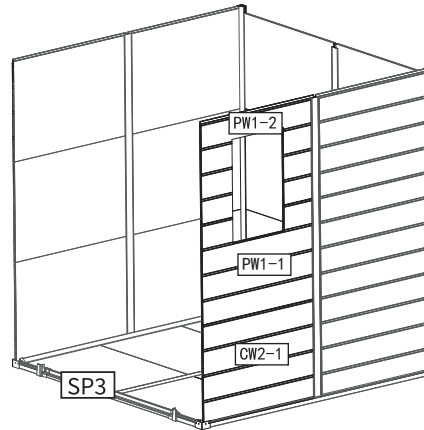
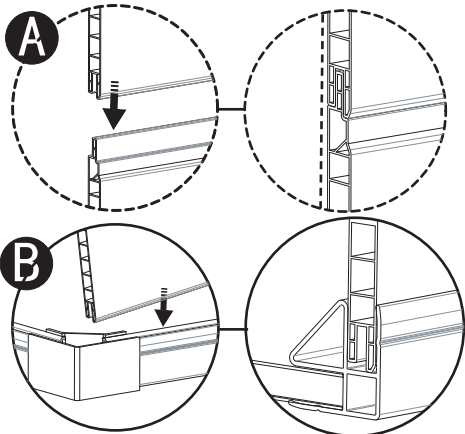
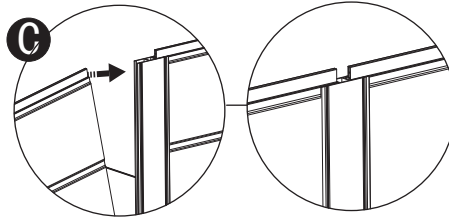
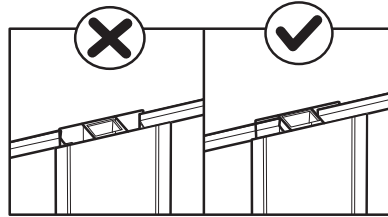
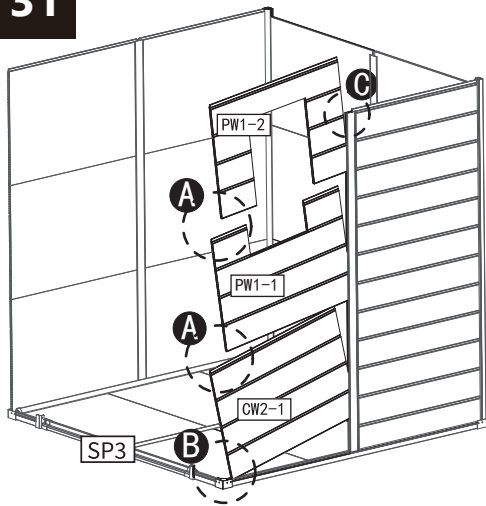


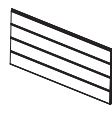
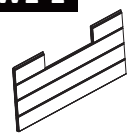
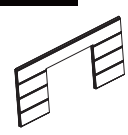

1 PC

SG8



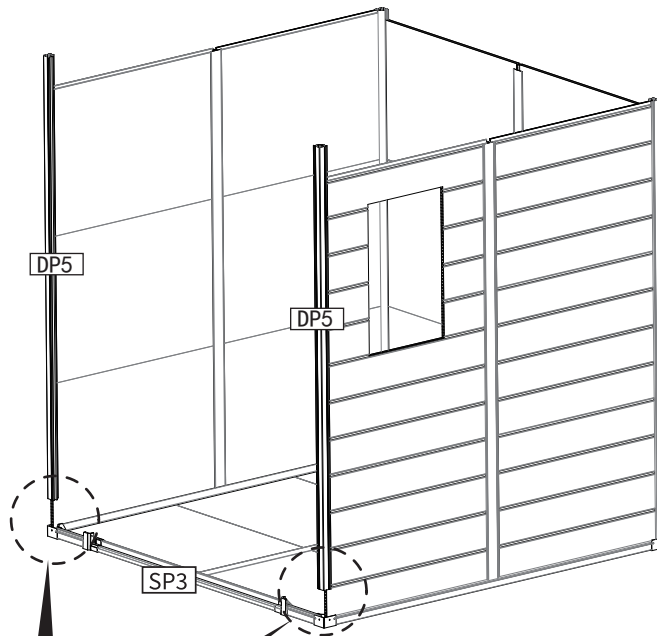
Step 31




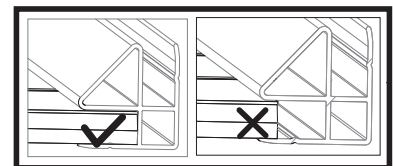
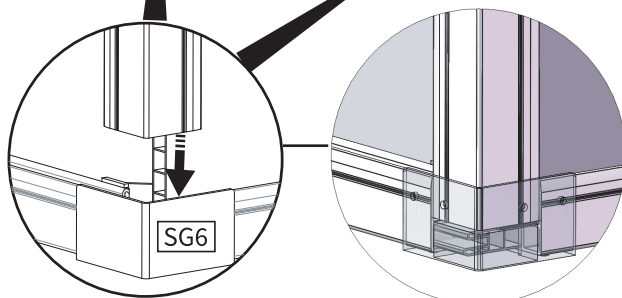
- CW2-1**

1 PC
- PW1-1**

1 PC
- PW1-2**

1 PC
- SG8**


Use spatula (part "SG8") for easier insertion of panel into profile.

Step 32

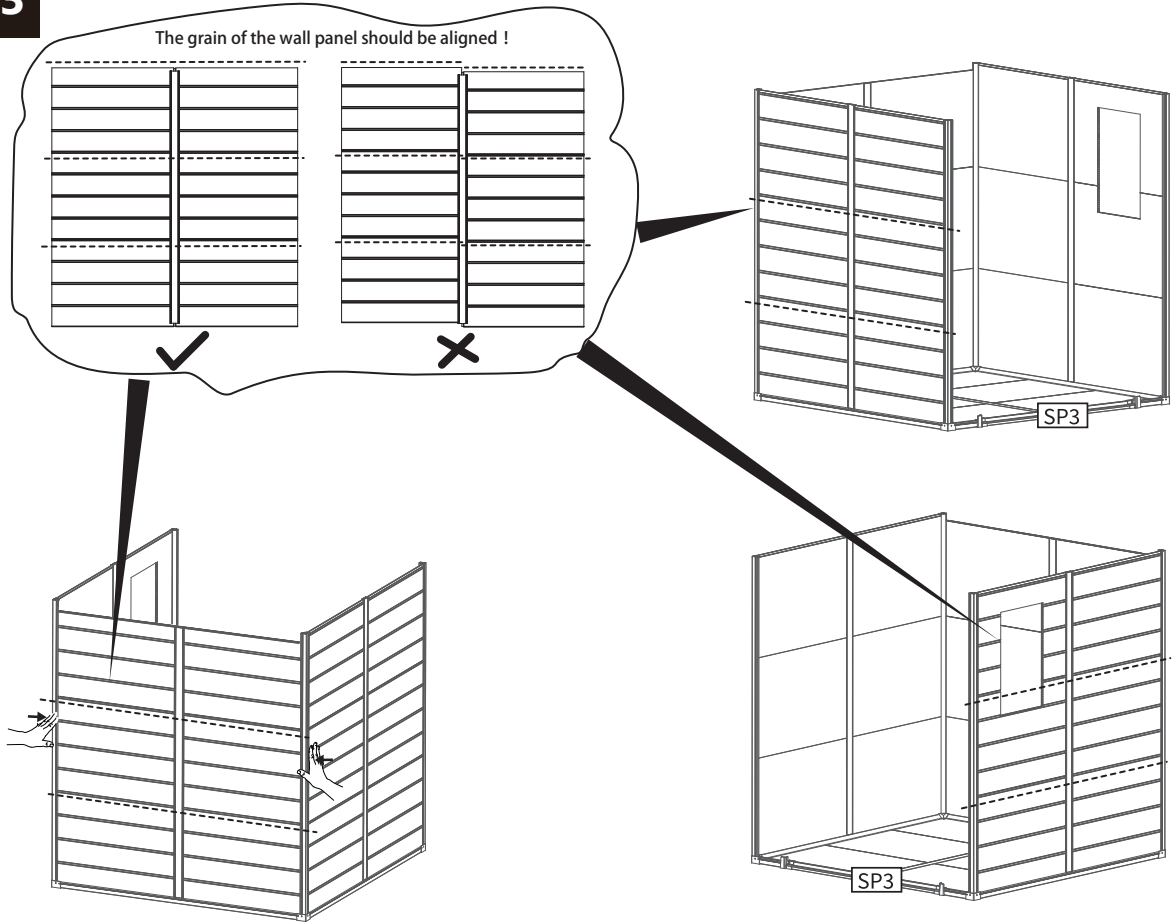


- DP5**

2 PC

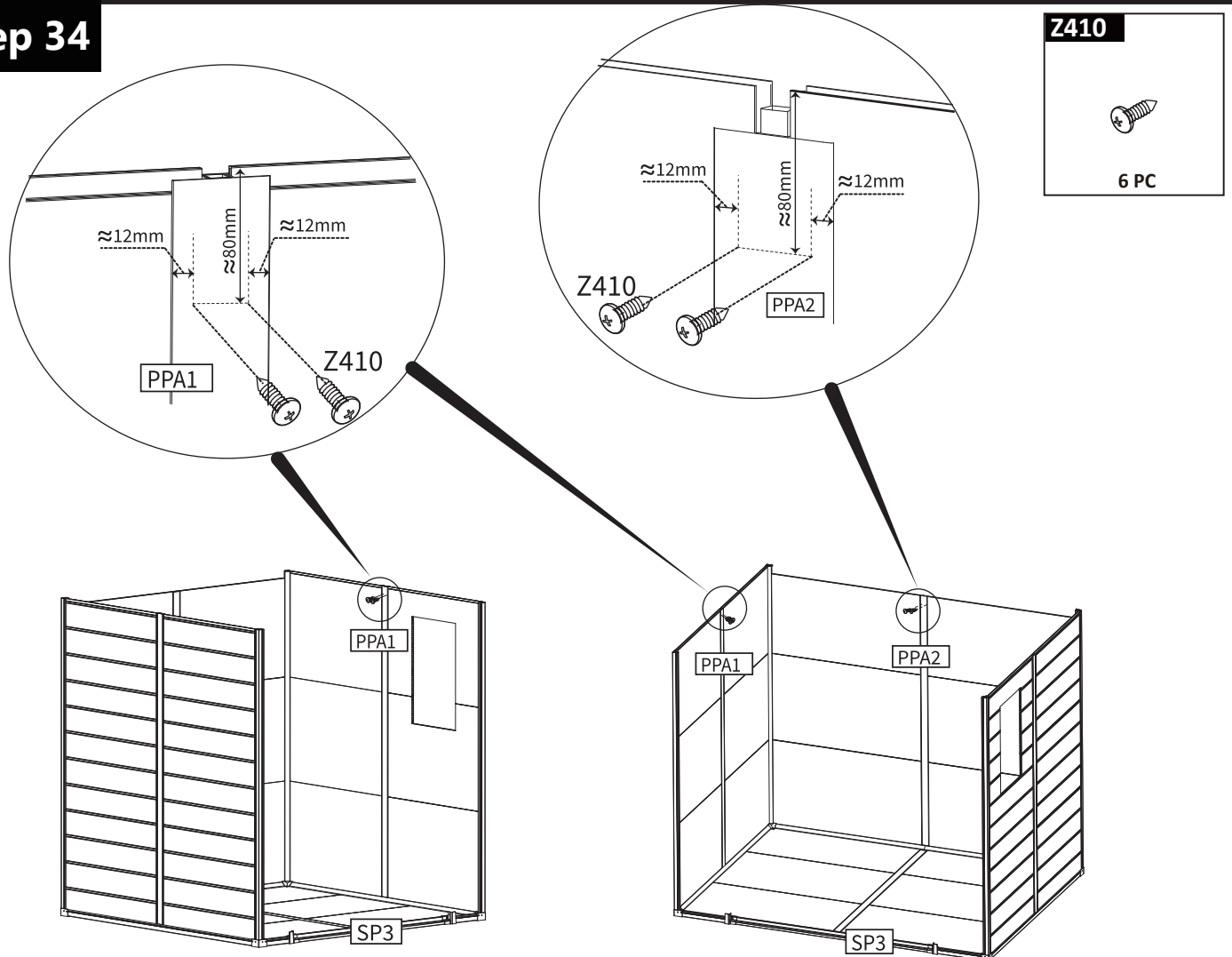


● Fully fit the panel inside the profile

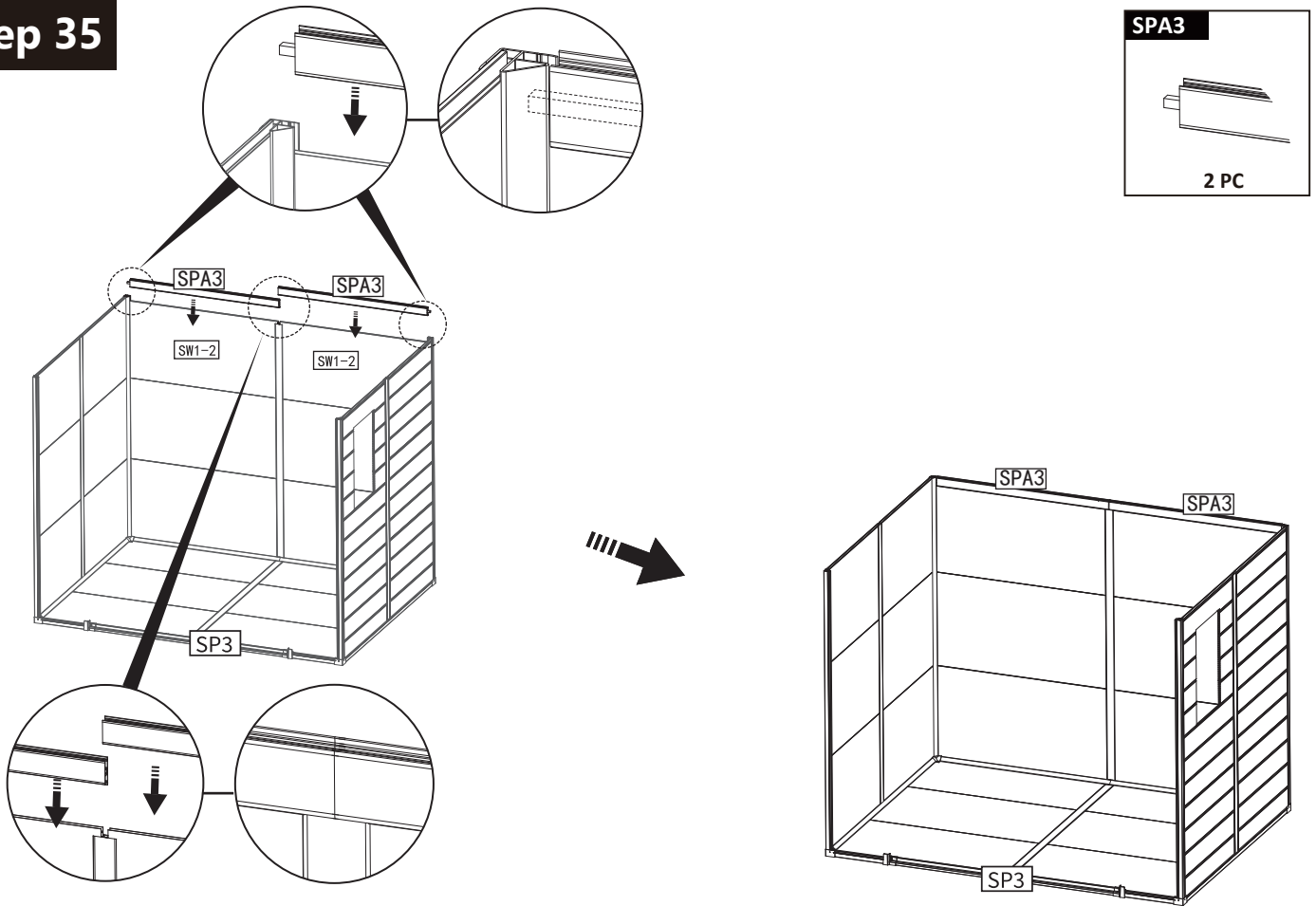
Step 33



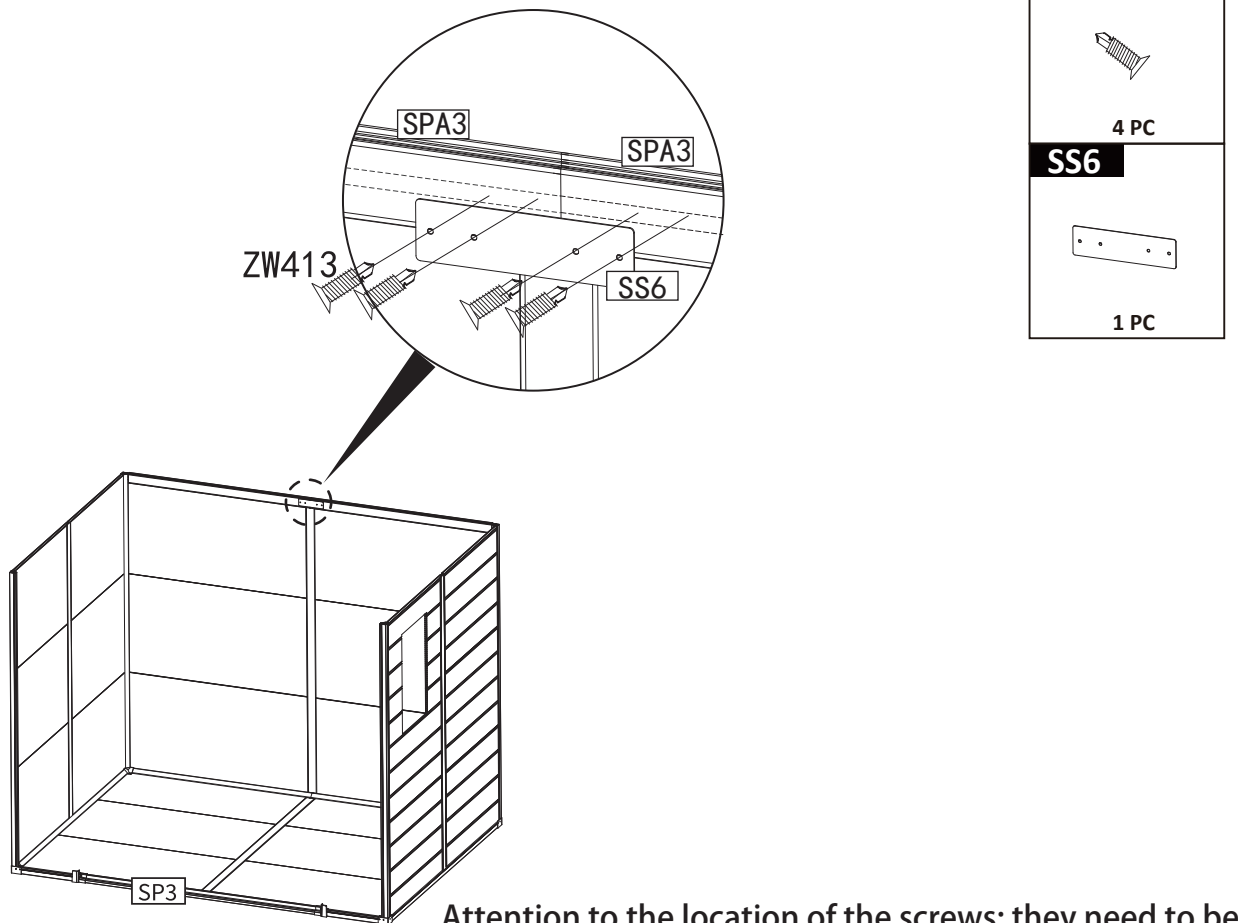
Step 34



Step 35

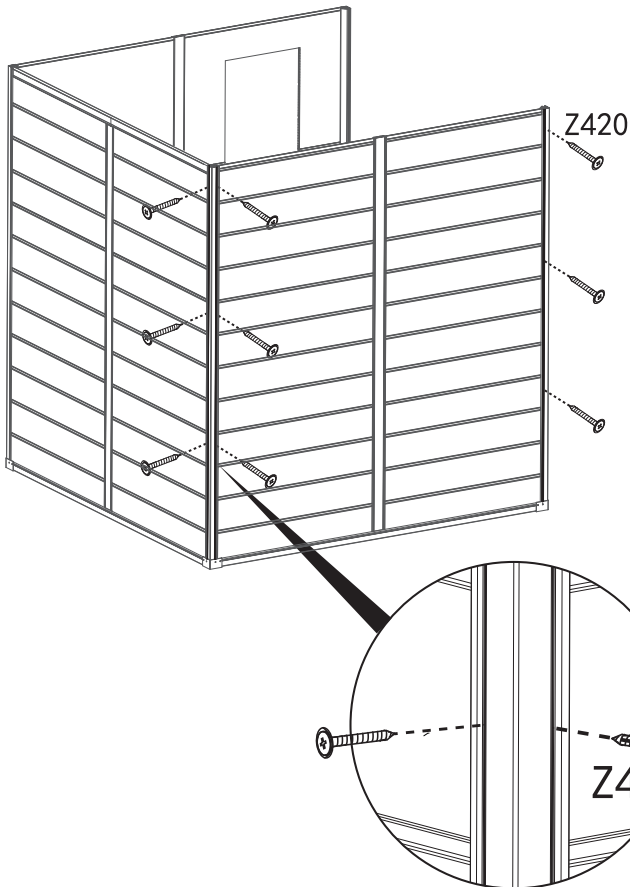


Step 36



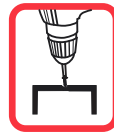
Attention to the location of the screws: they need to be locked on the iron pipe that corresponds to the inside of the plastic profile.

Step 37

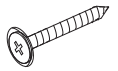


Caution:

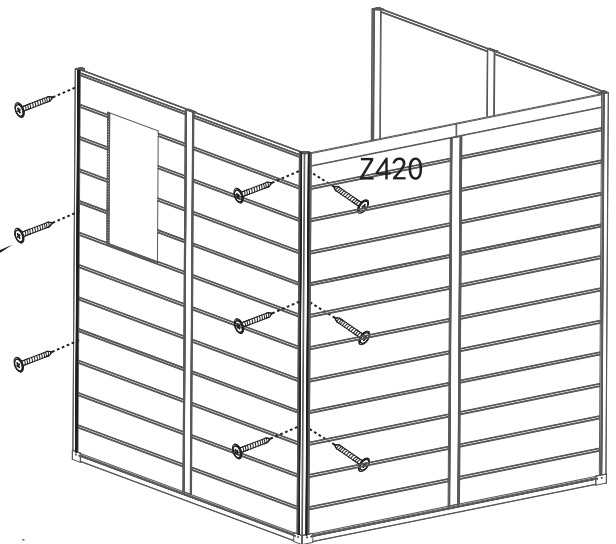
Please use Drill  to predrill a hole at depth 1mm before screw.



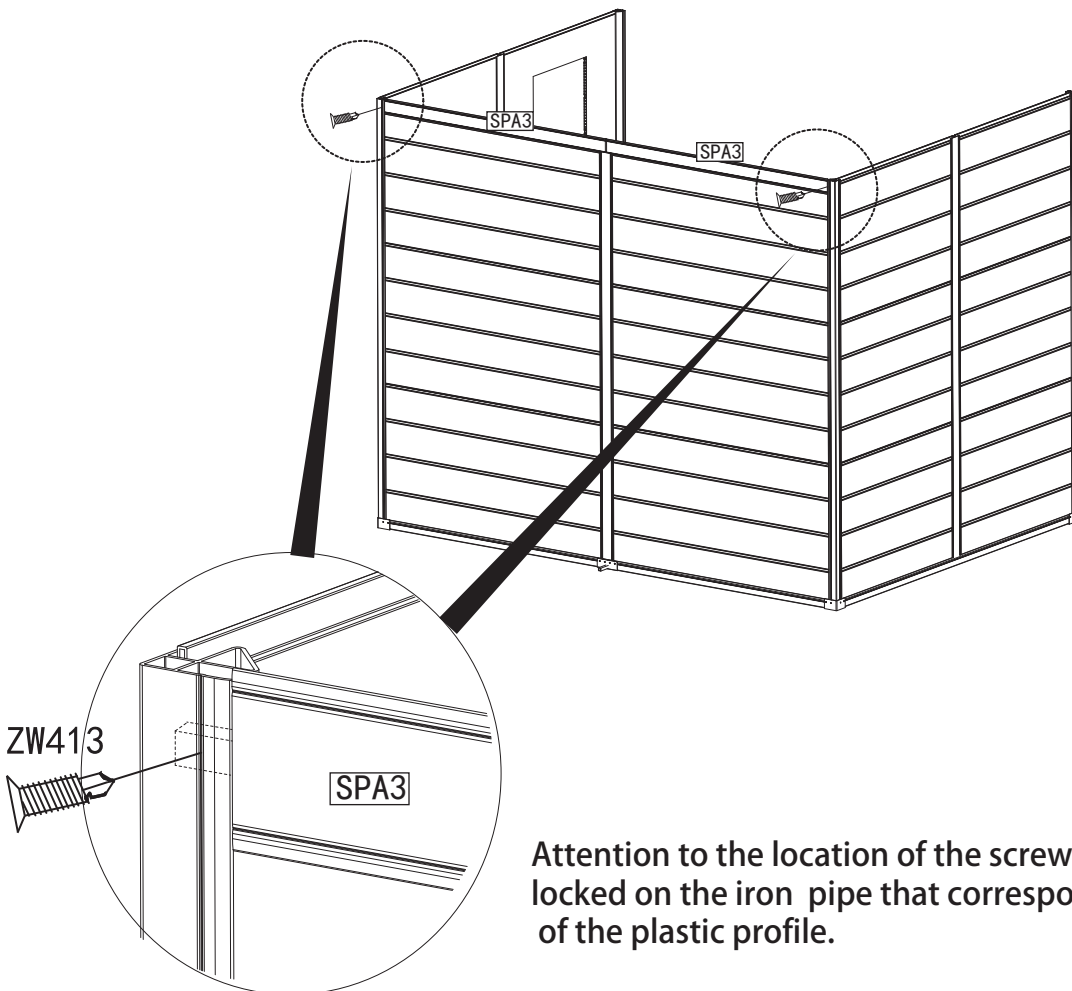
Z420



18 PC



Step 38



ZW413



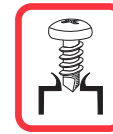
2 PC

Attention to the location of the screws: they need to be locked on the iron pipe that corresponds to the inside of the plastic profile.

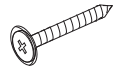
Step 39

Caution:

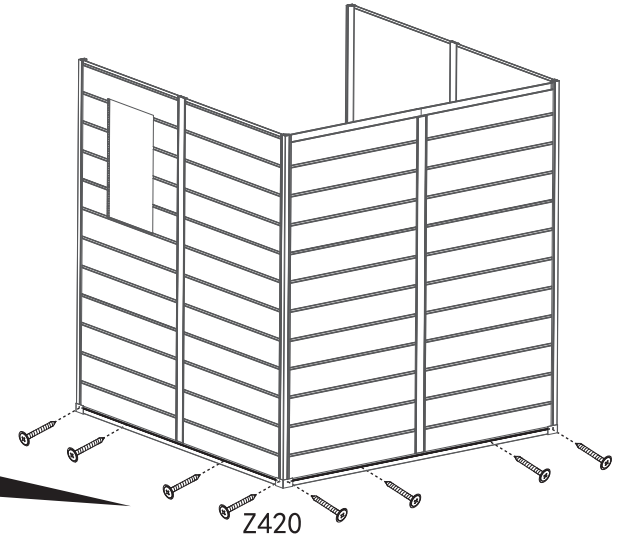
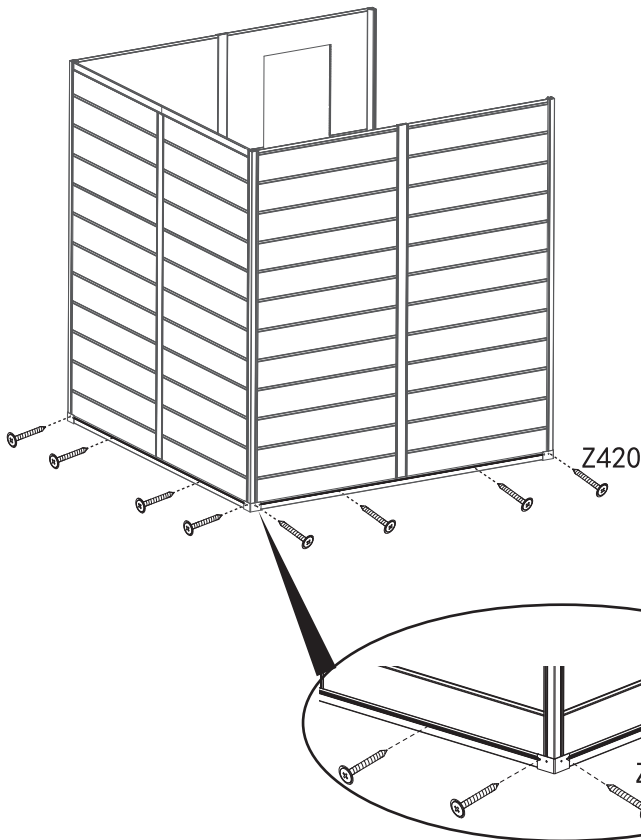
Please use Drill  to predrill a hole at depth 1mm before screw.



Z420




16 PC



Step 40

Caution:

Please use Drill  to predrill a hole at depth 1mm before screw.

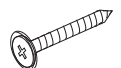


ZW413

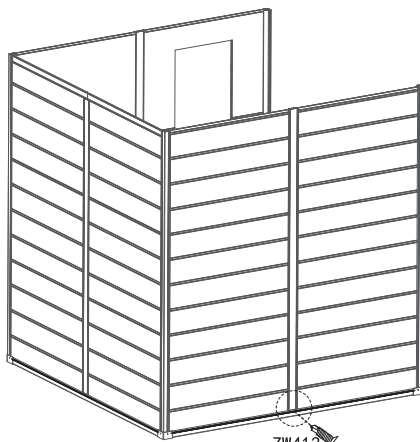


2 PC

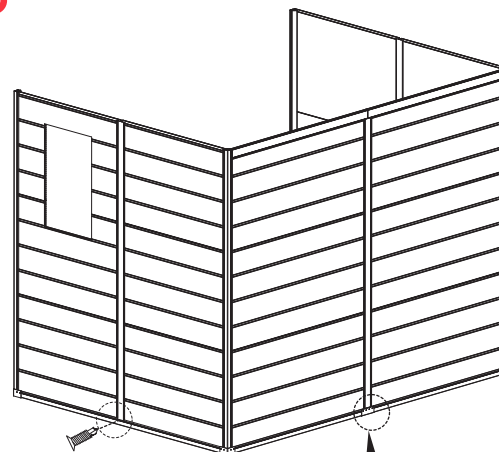
Z420



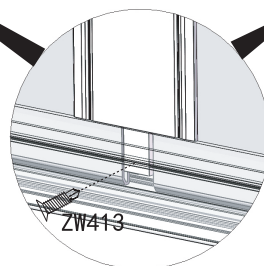
4 PC



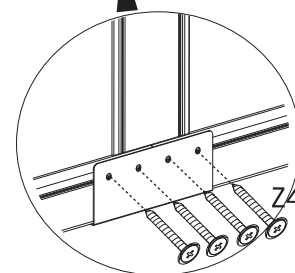
ZW413



ZW413



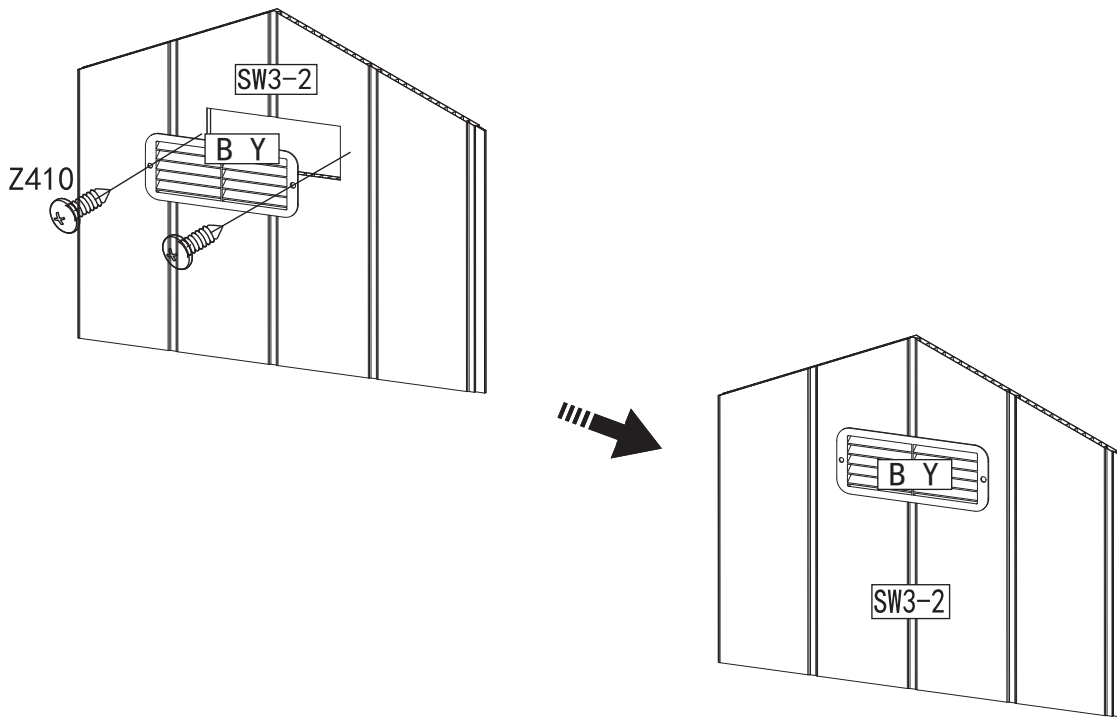
ZW413



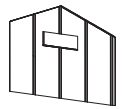
Z420

Attention to the location of the screws: they need to be locked on the iron pipe that corresponds to the inside of the plastic profile.

Step 41



SW3-2



1 PC

B Y



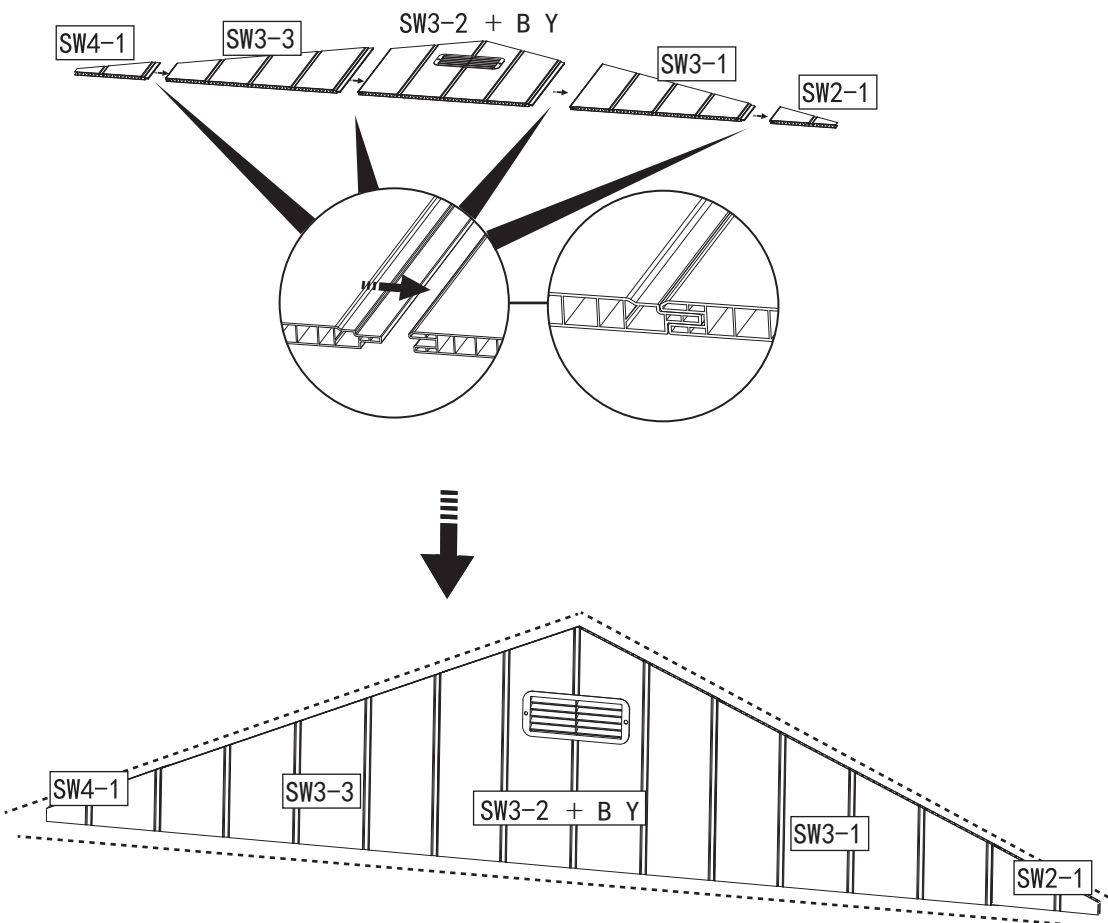
1 PC

Z410

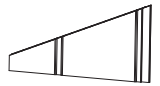


2 PC

Step 42

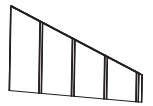


SW4-1

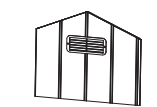


1 PC

SW3-1

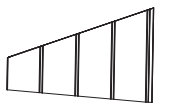


1 PC



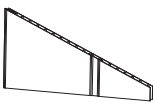
SW3-2 + B Y

SW3-3



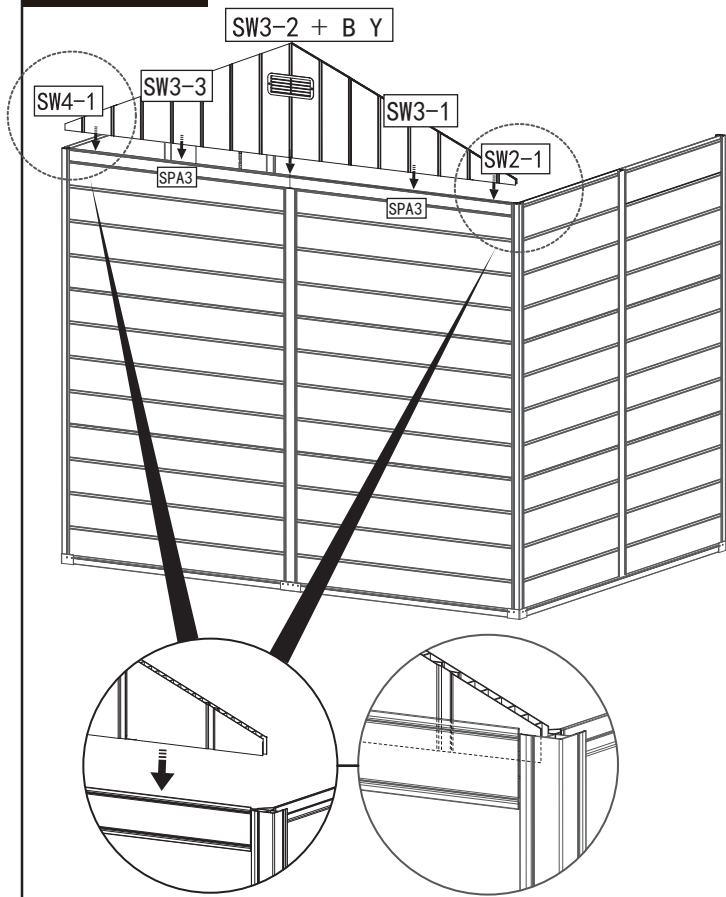
1 PC

SW2-1



1 PC

Step 43



Use spatula (part "SG8") for easier insertion of panel into profile.

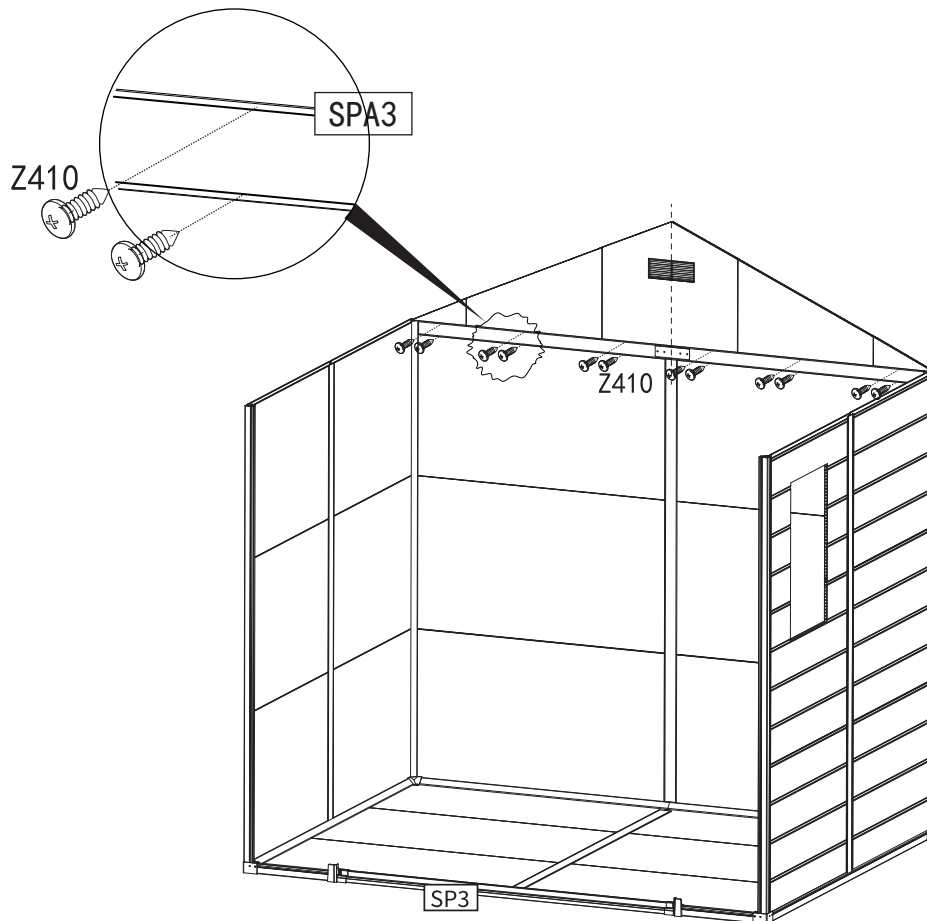


SW4-1 + SW3-1 + SW3-2 + B Y
+ SW3-3 + SW2-1

SG8



Step 44



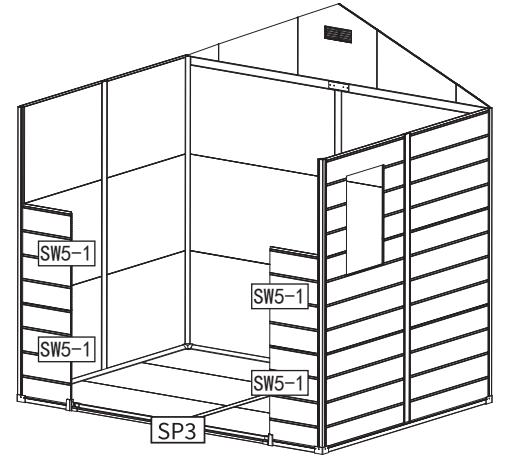
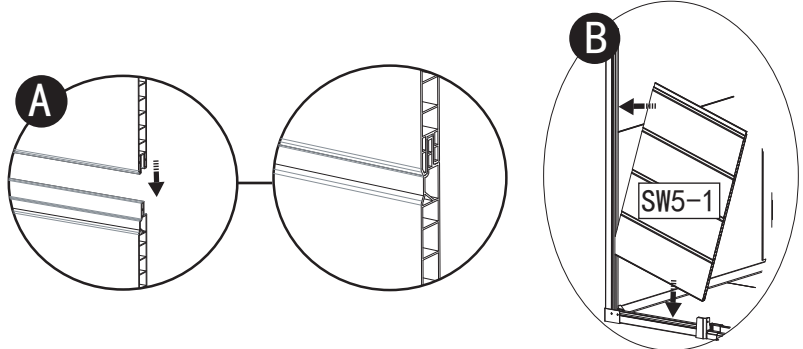
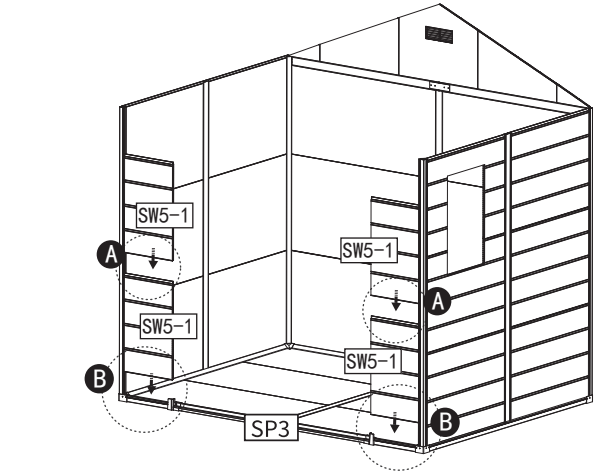
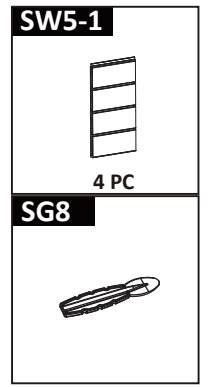
Z410



12 PC

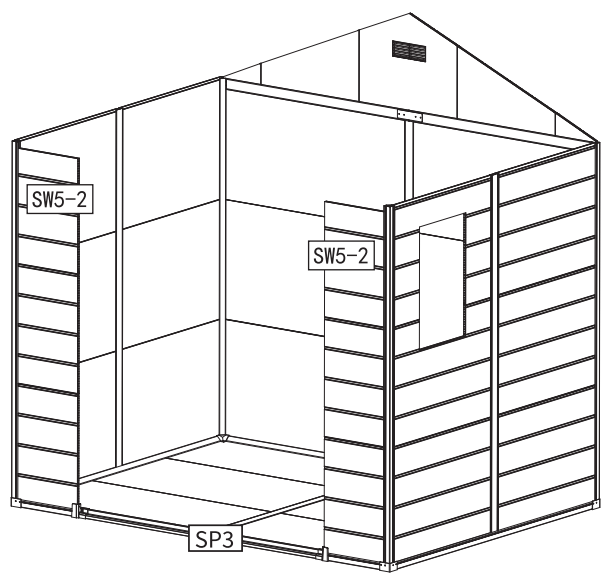
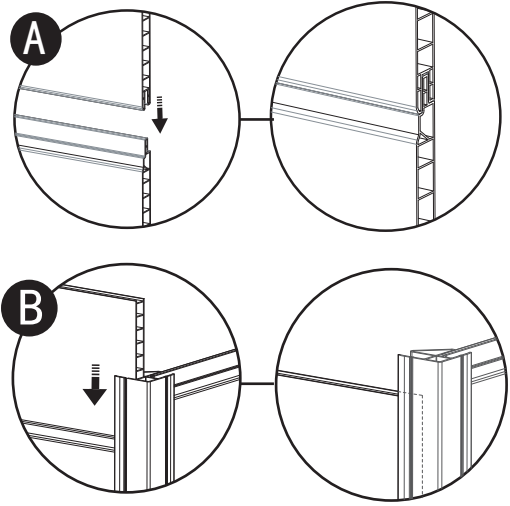
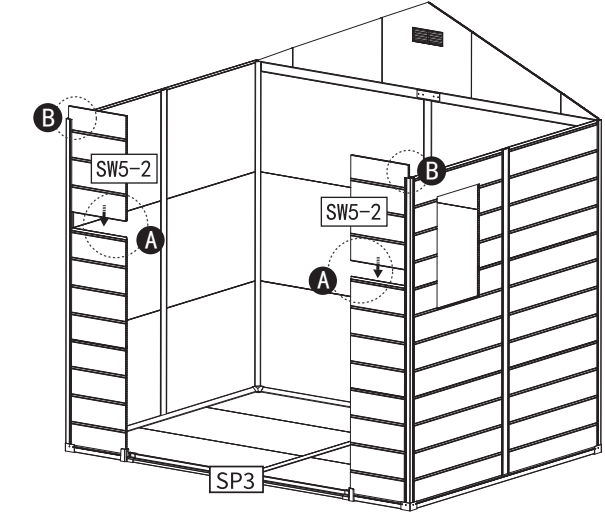
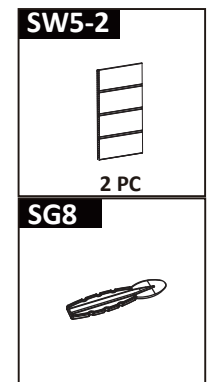
Step 45

Use spatula (part "SG8") for easier insertion of panel into profile.

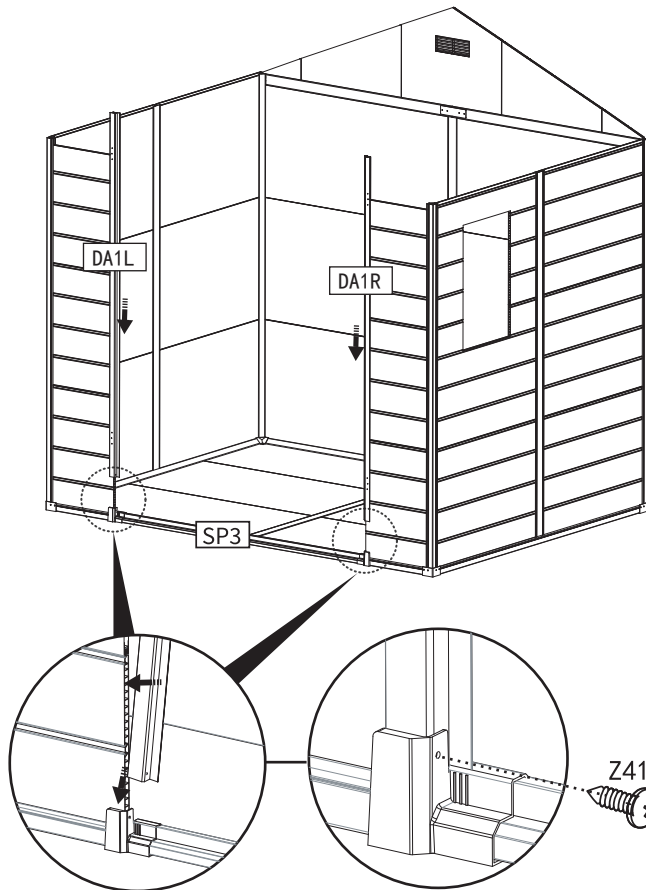


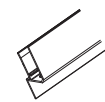
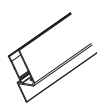

Step 46

Use spatula (part "SG8") for easier insertion of panel into profile.

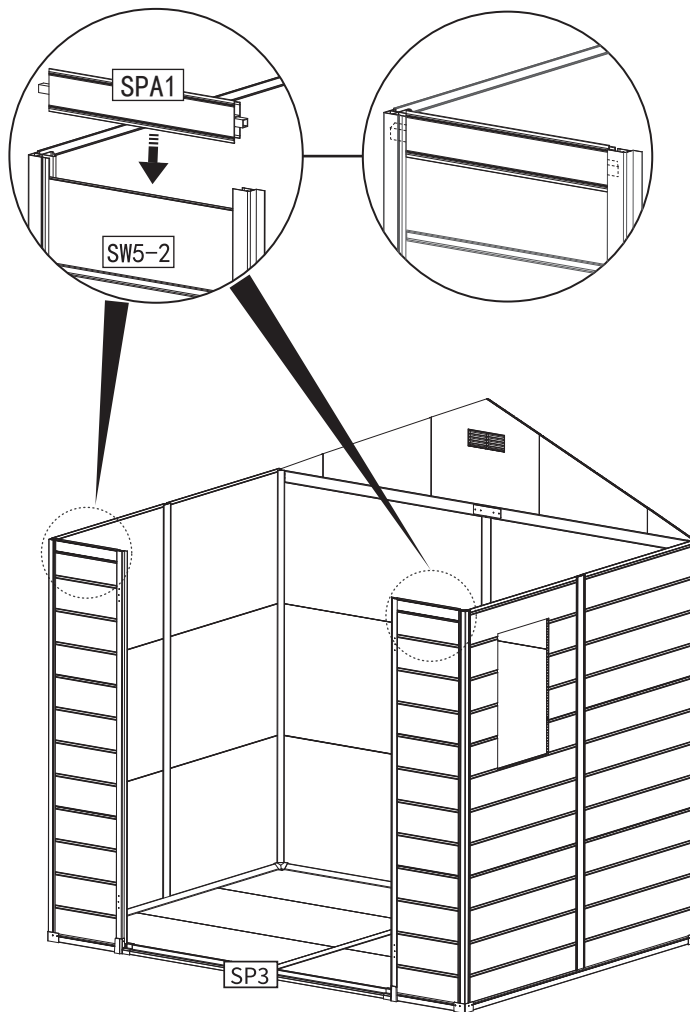



Step 47



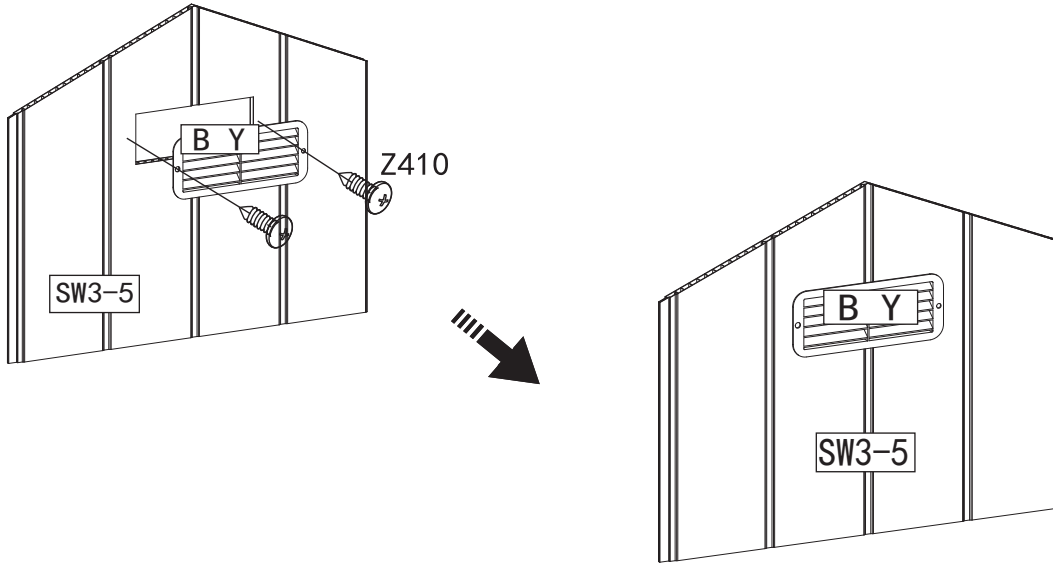
- DA1L**

1 PC
- DA1R**

1 PC
- Z410**

2 PC

Step 48

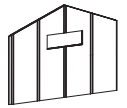


- SPA1**

2 PC

Step 49



SW3-5



1 PC

B Y



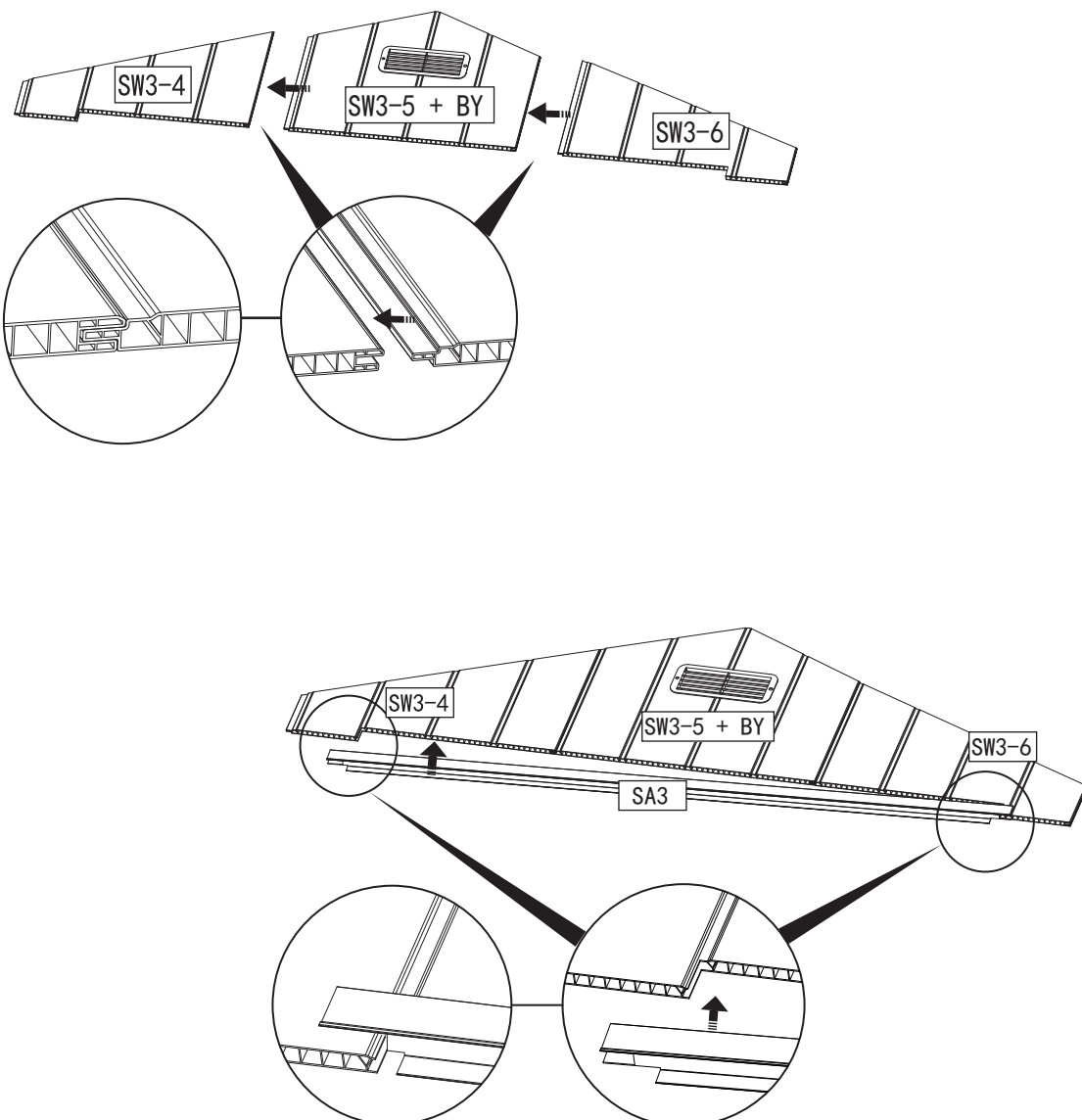
1 PC

Z410

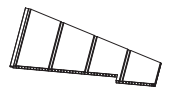


2 PC

Step 50

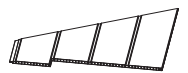


SW3-6

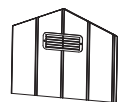


1 PC

SW3-4

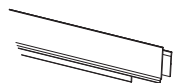


1 PC



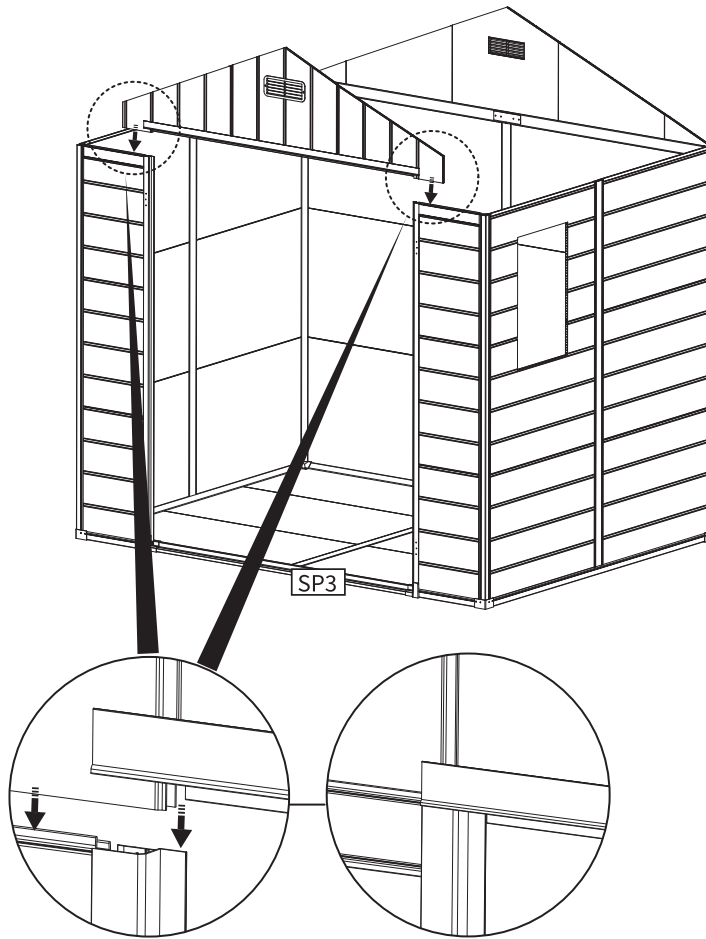
SW3-5 + B Y

SA3



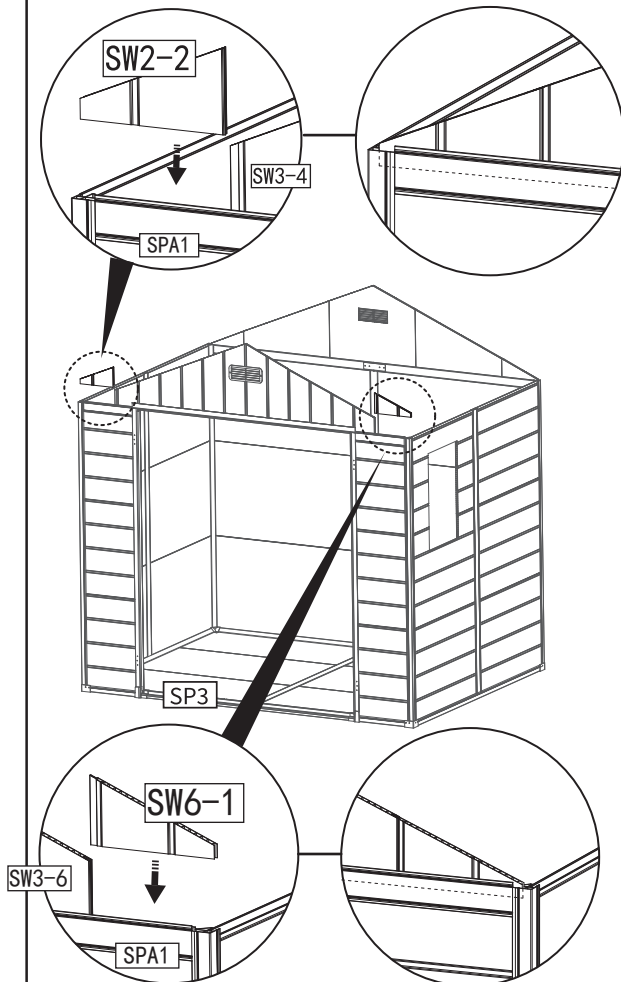
1 PC

Step 51



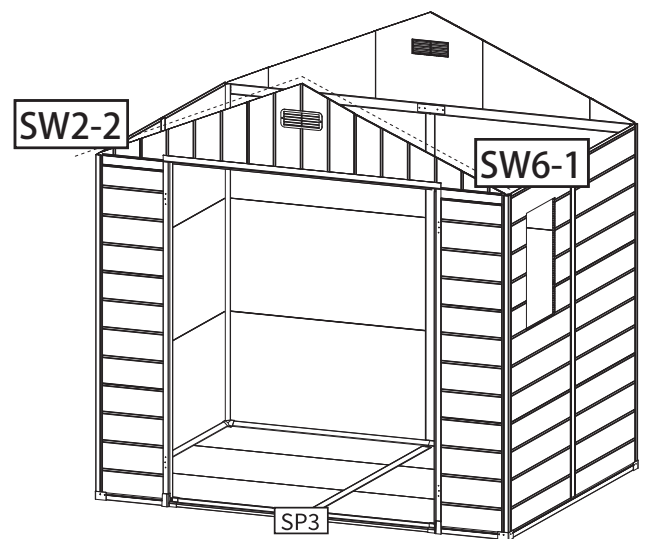
SW3-4 + SW3-6
+ SW3-5 + BY + SA3

Step 52



SW2-2
1 PC

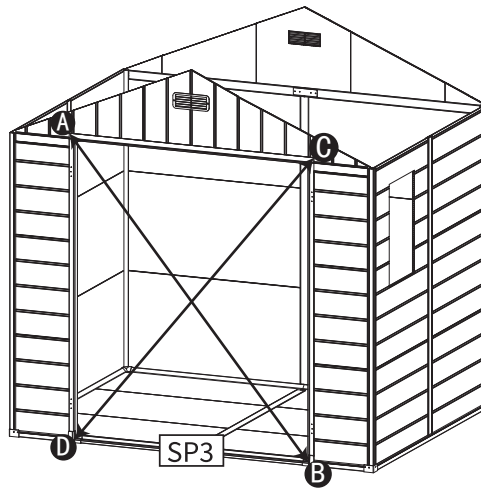
SW6-1
1 PC



Step 53

1

AB=CD



ZW413



8 PC

SG27



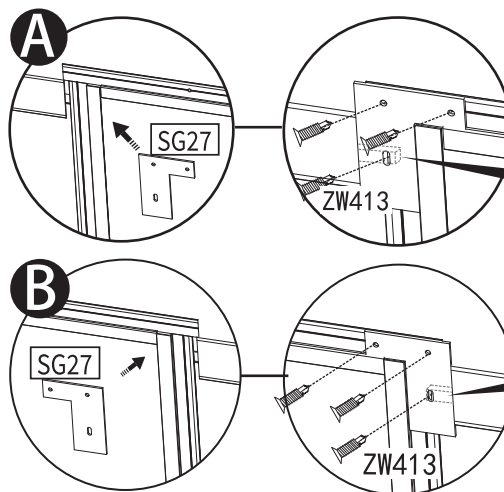
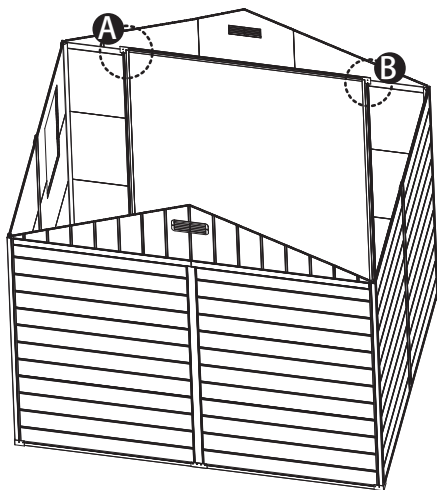
2 PC

Z420




8 PC

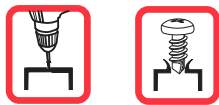
2



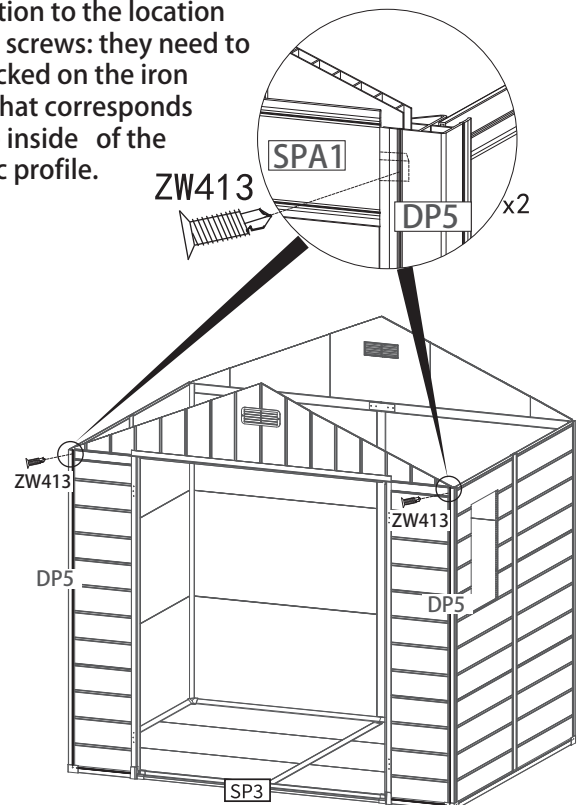
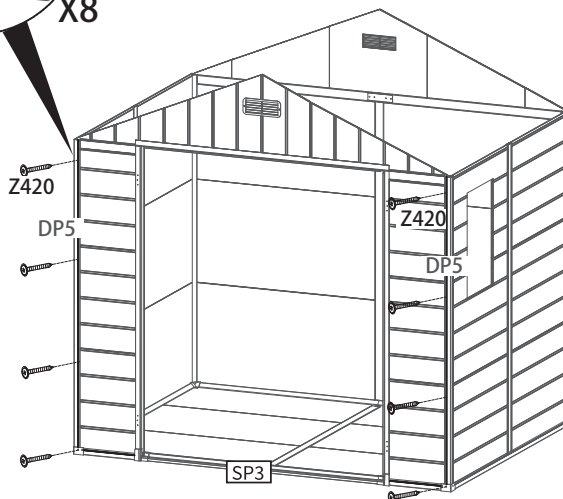
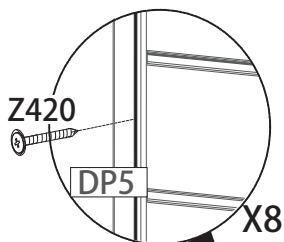
Attention to the location of the screws: they need to be locked on the iron pipe that corresponds to the inside of the plastic profile.

3

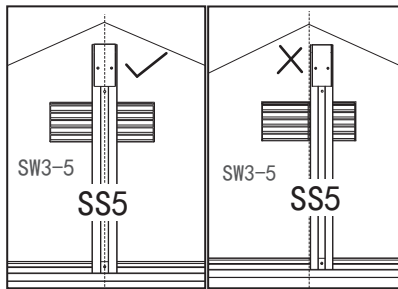
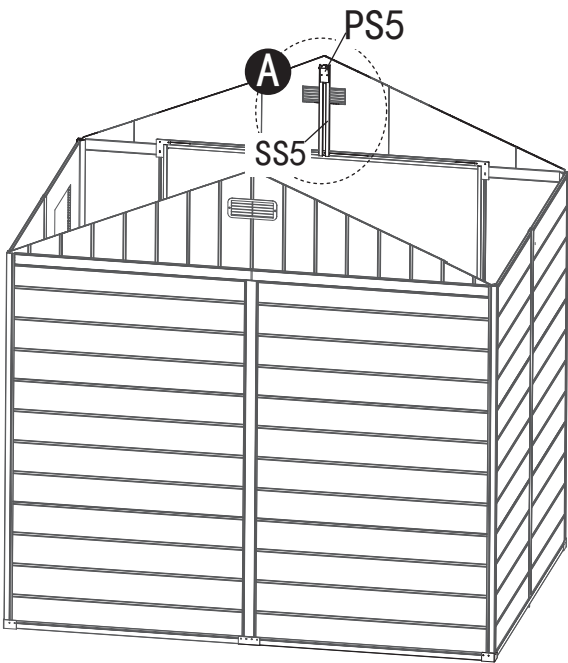
Caution:
Please use Drill  to predrill a hole at depth 1mm before screw.





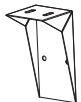
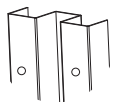
Attention to the location of the screws: they need to be locked on the iron pipe that corresponds to the inside of the plastic profile.

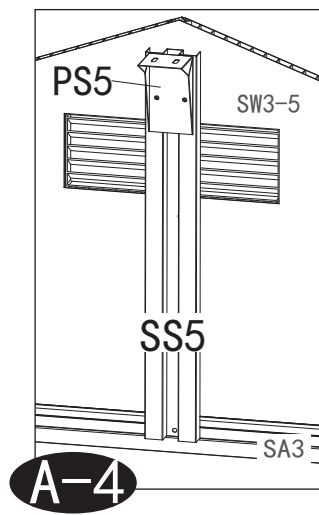
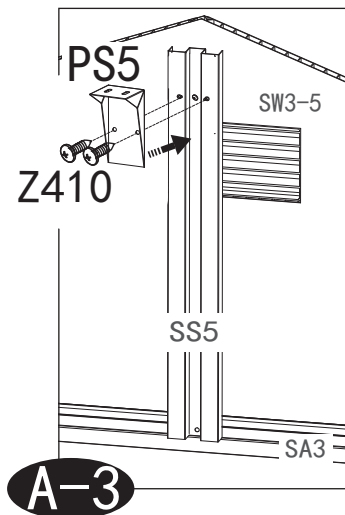
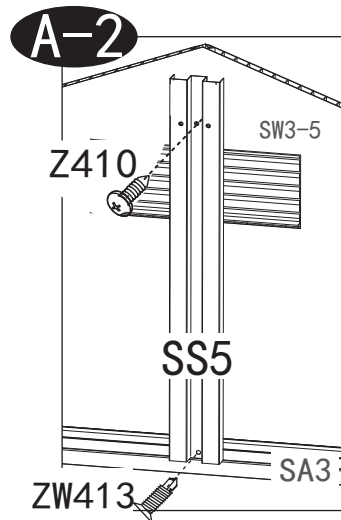
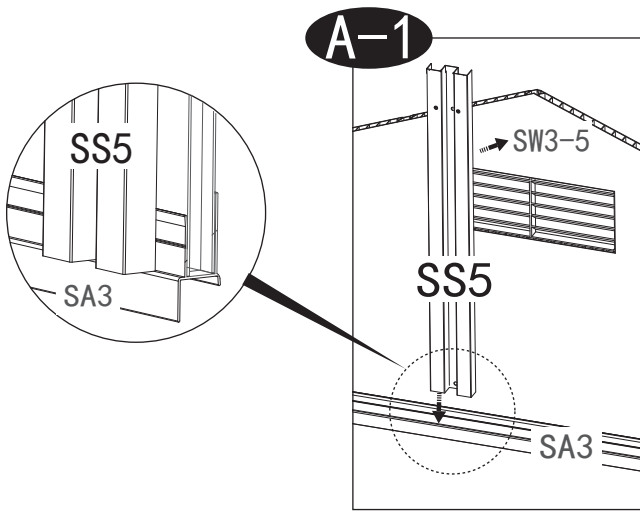


Step 54



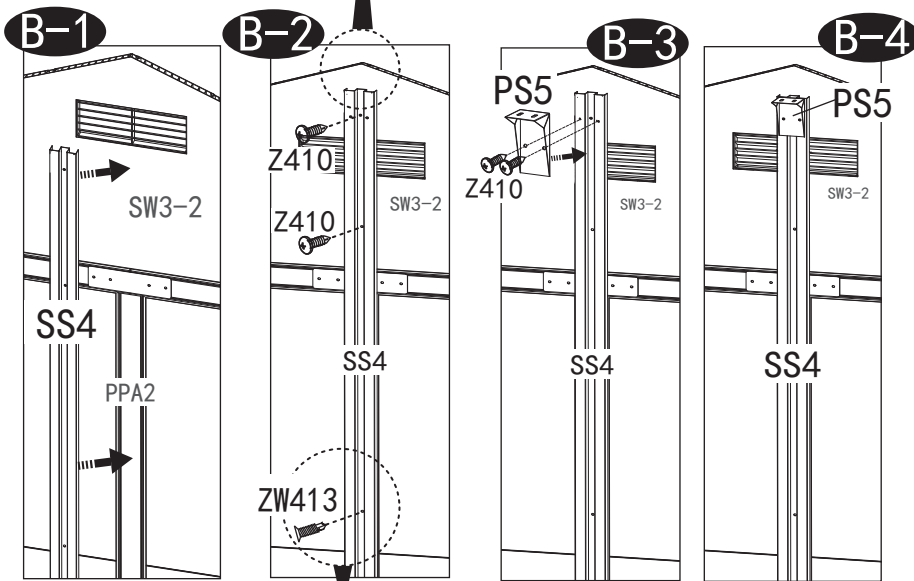
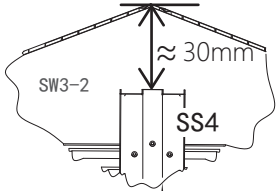
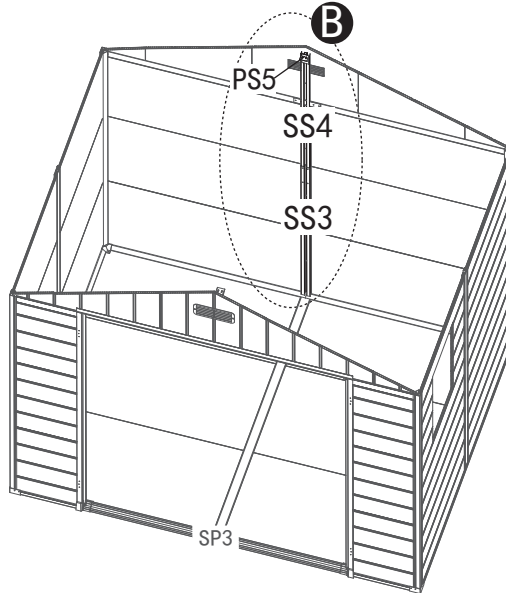
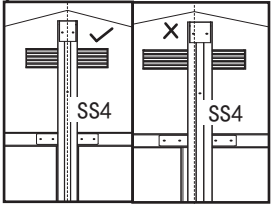
Pay attention to the placement of SS5.

- Z410**

 3 PC
- ZW413**

 1 PC
- PS5**

 1 PC
- SS5**

 1 PC

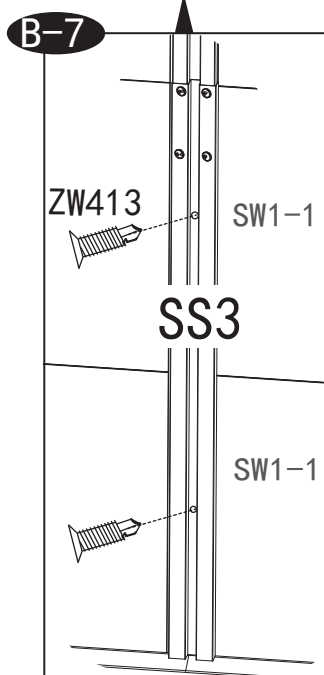
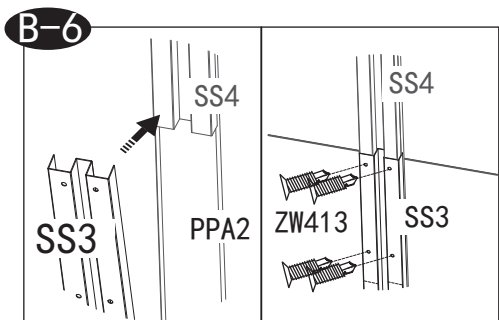
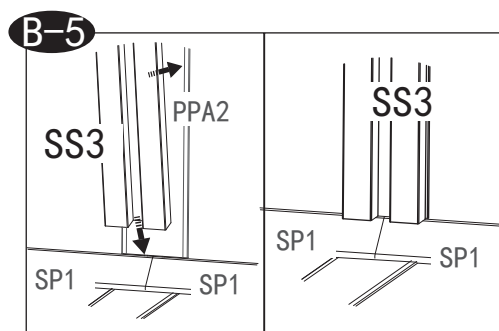


Step 55

Pay attention to the placement of SS4

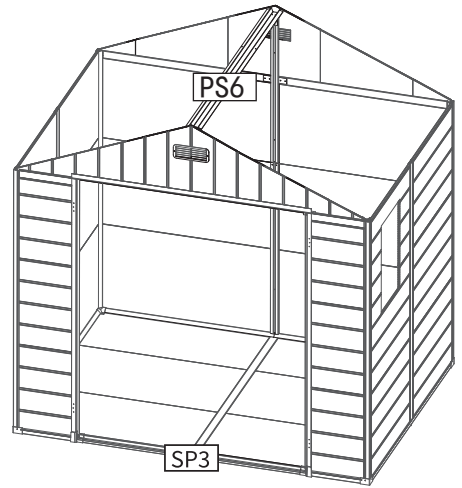
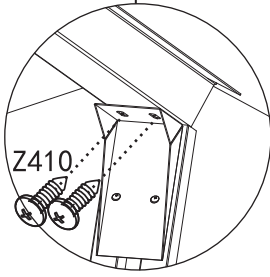
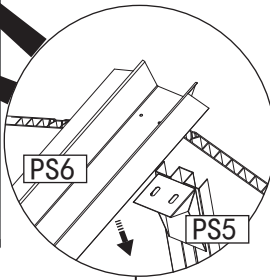
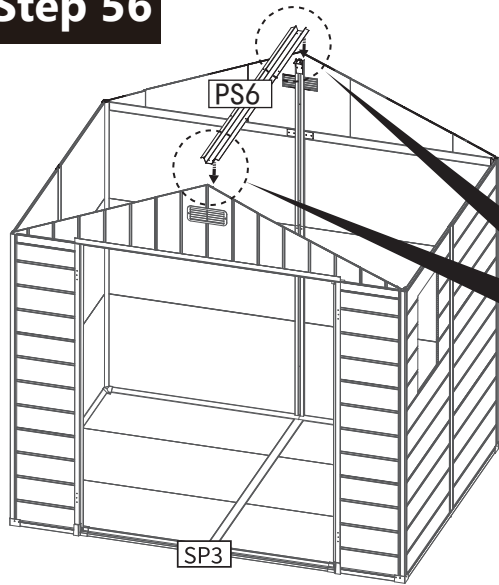




Attention to the location of the screws: they need to be locked on the iron pipe that corresponds to the inside of the plastic profile.



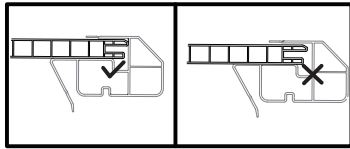
PS5		1 PC
SS4		1 PC
SS3		1 PC
Z410		4 PC
ZW413		7 PC

Step 56

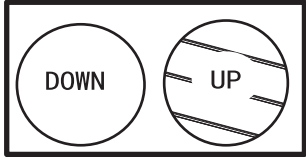
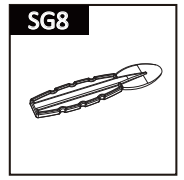
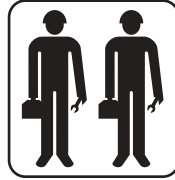


Z410	PS6
	
4 PC	1 PC

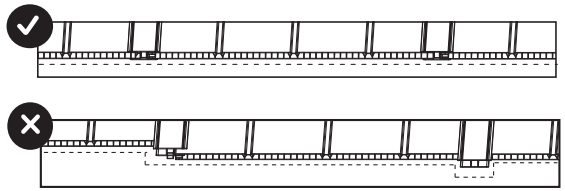
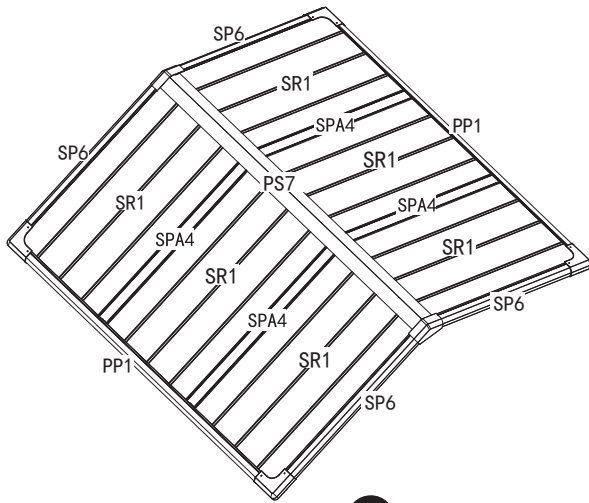
ROOF PARTS



Fully fit the panel inside the profile

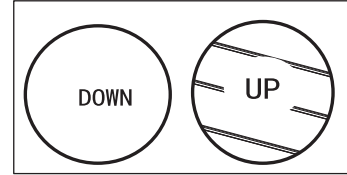
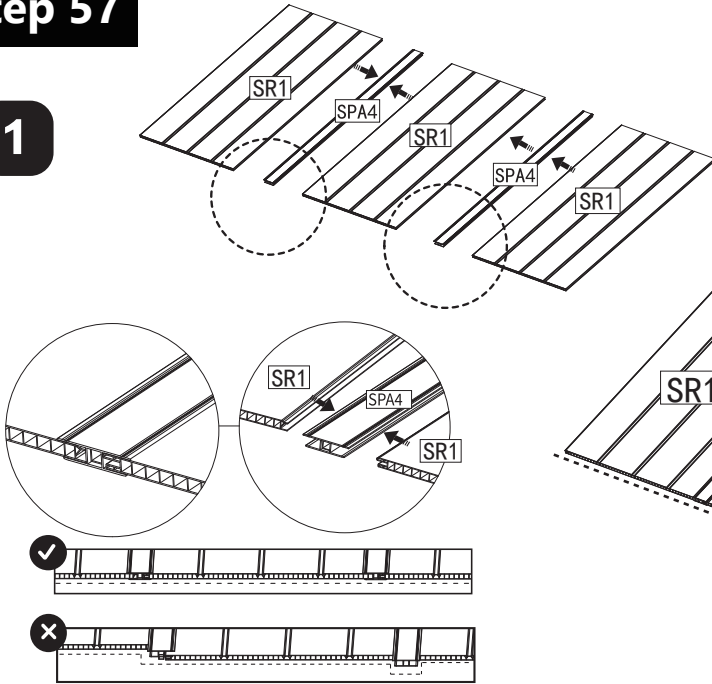


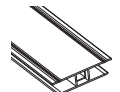
The stripes should be upwards



Step 57

1

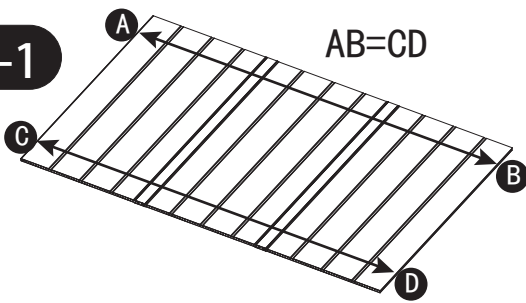


SR1		6 PC
SPA4		4 PC
Z410		16 PC

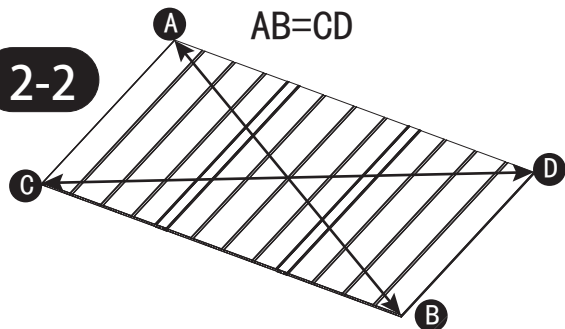
x2

2

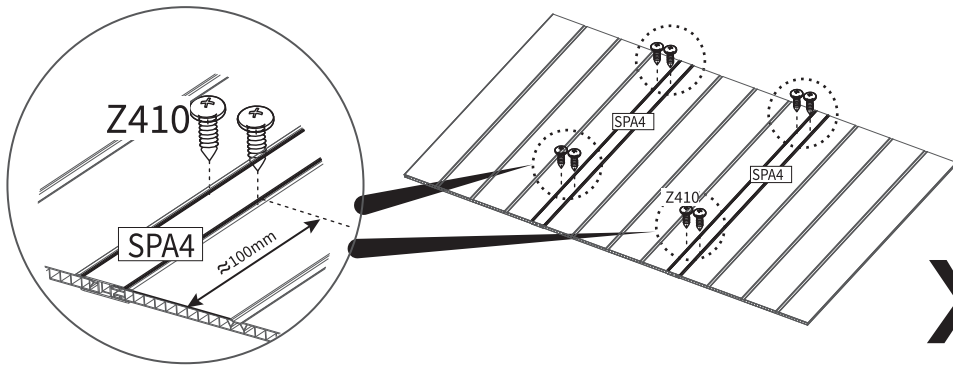
2-1



2-2



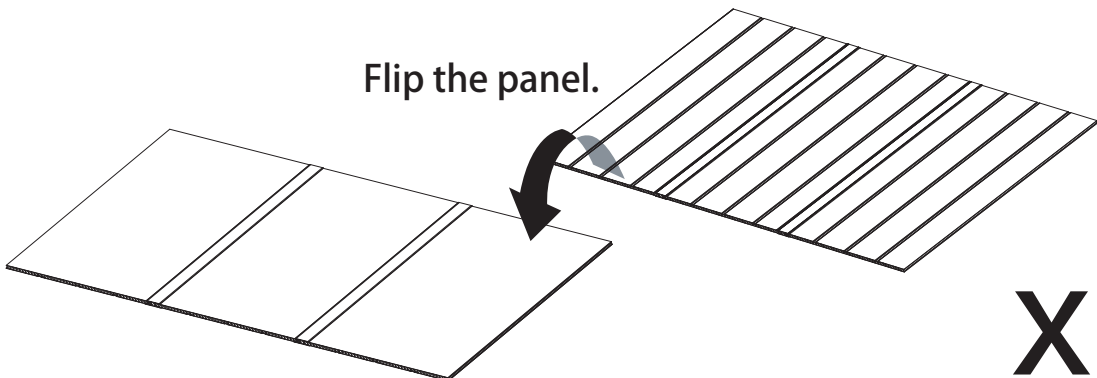
2-3



x2

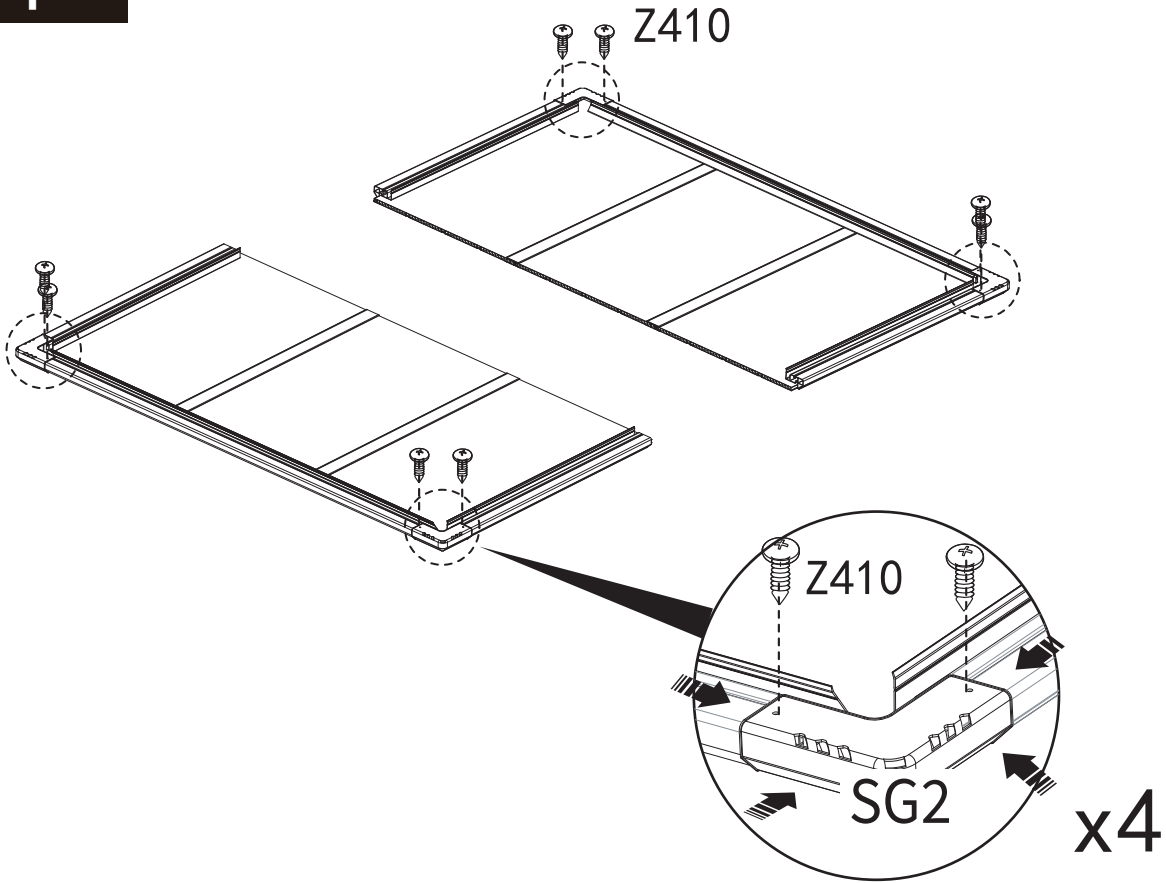
3

Flip the panel.



x2

Step 60

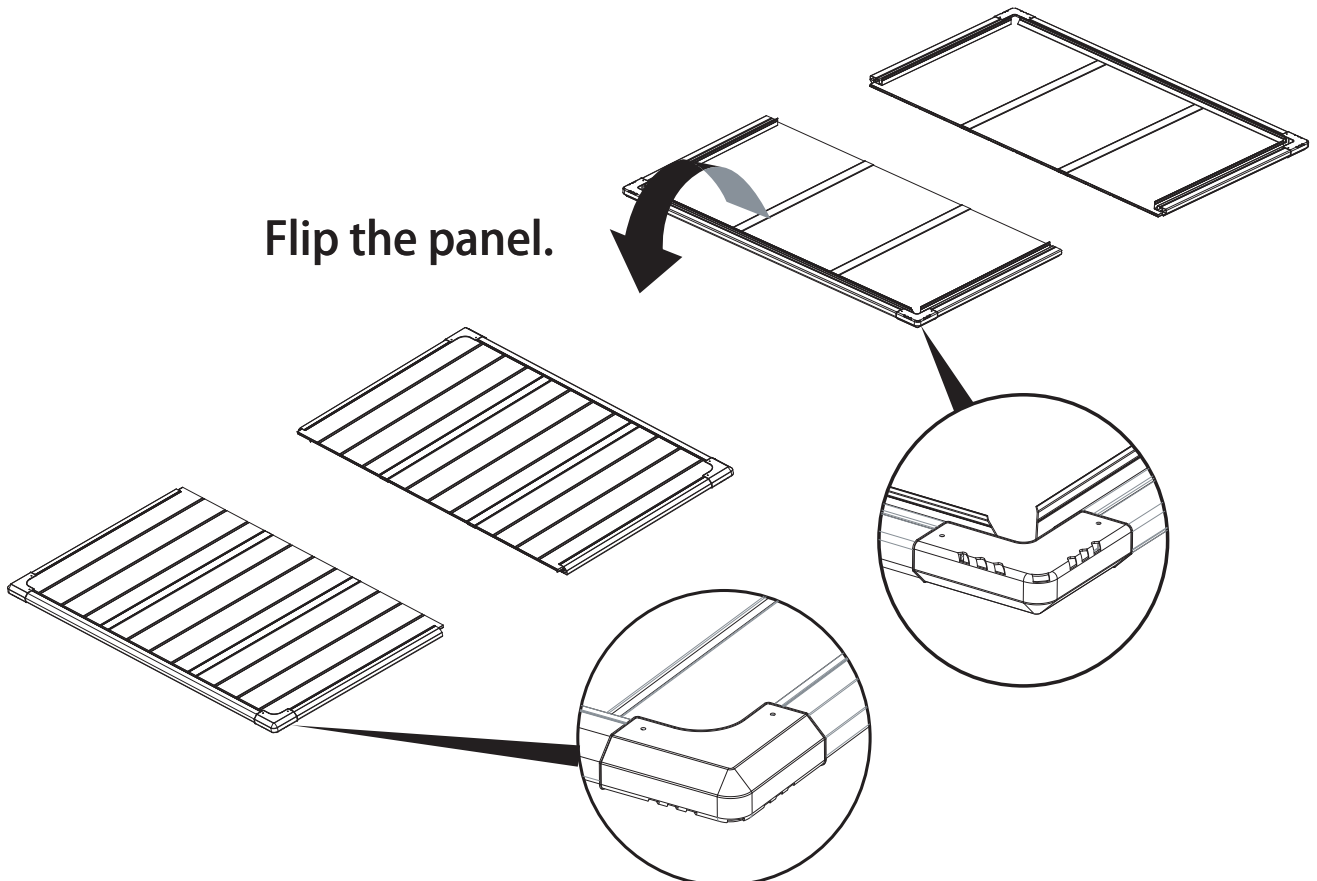


Z410




8 PC

Step 61



Step 62

Caution:

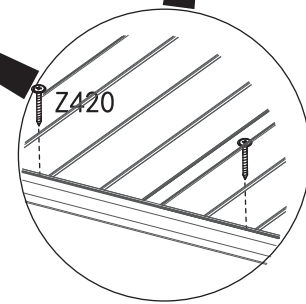
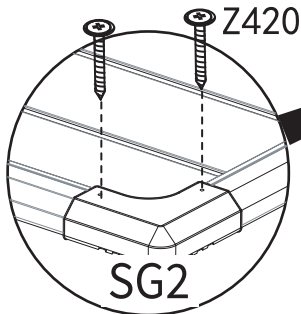
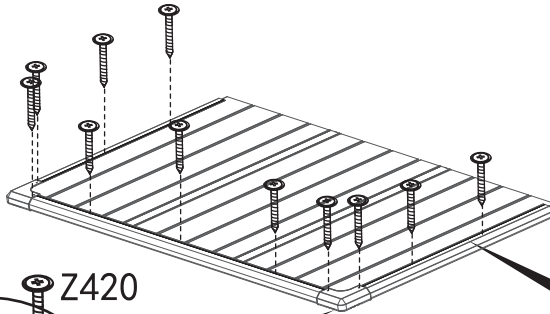
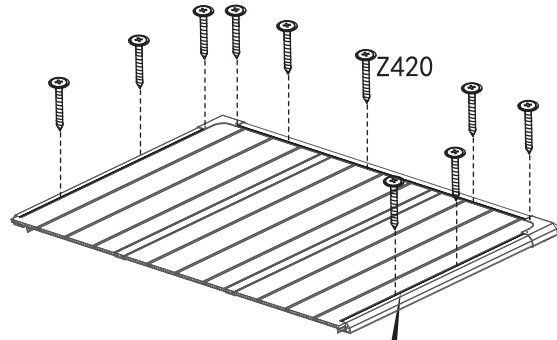
Please use Drill  to predrill a hole at depth 1mm before screw.



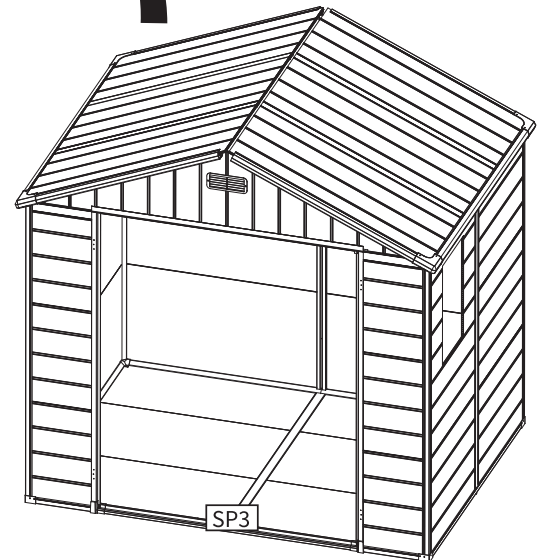
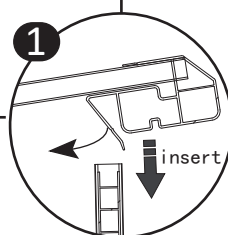
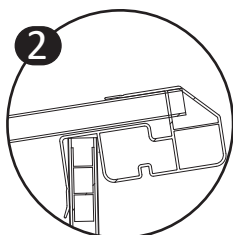
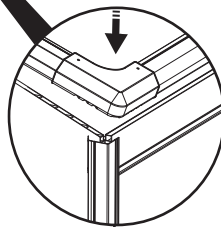
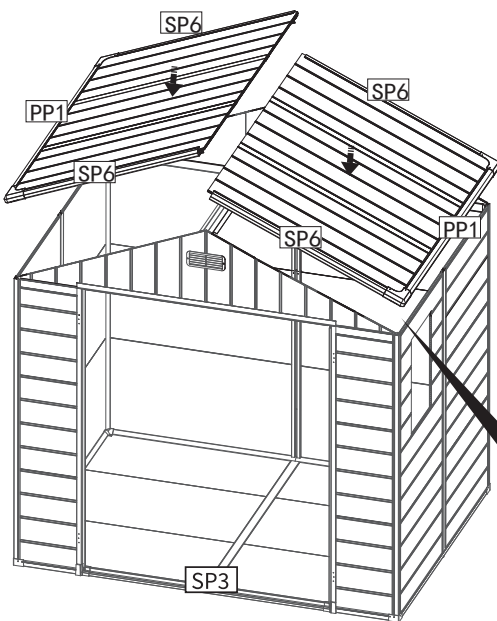
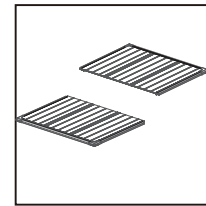
Z420



22 PC



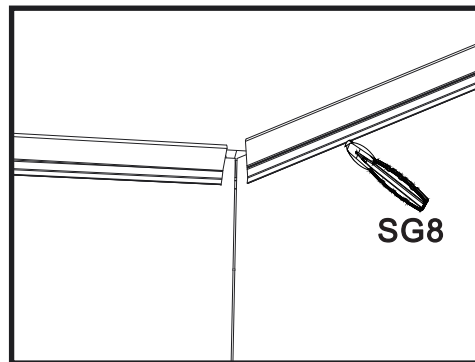
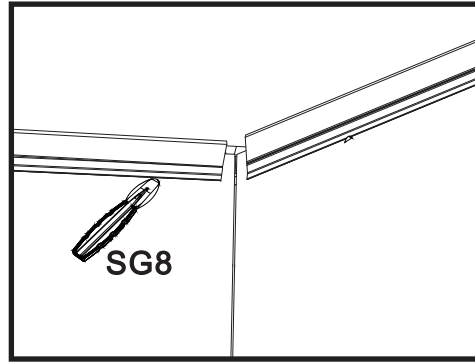
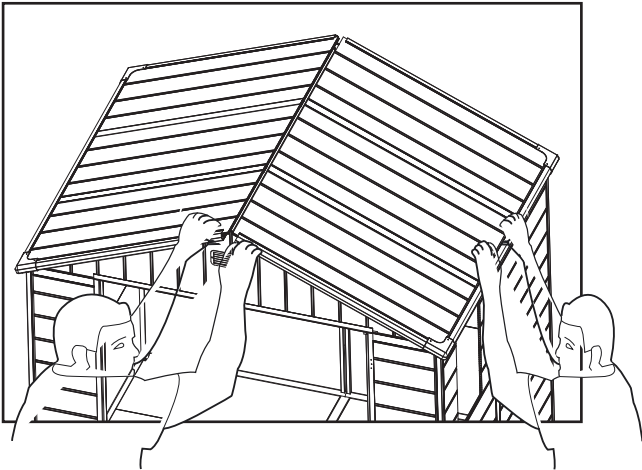
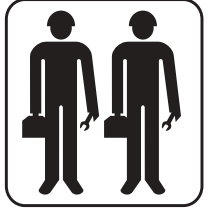
Step 63



Fully fit the panel inside the profile

Step 64

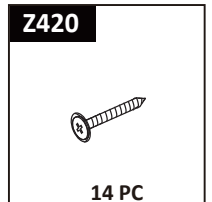
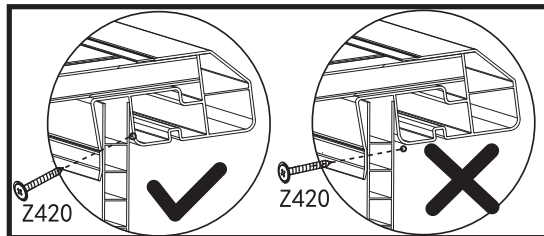
Fully fit the panels inside the profiles of roof



Use spatula (part "SG8") for easier insertion of panel into profile.

Step 65

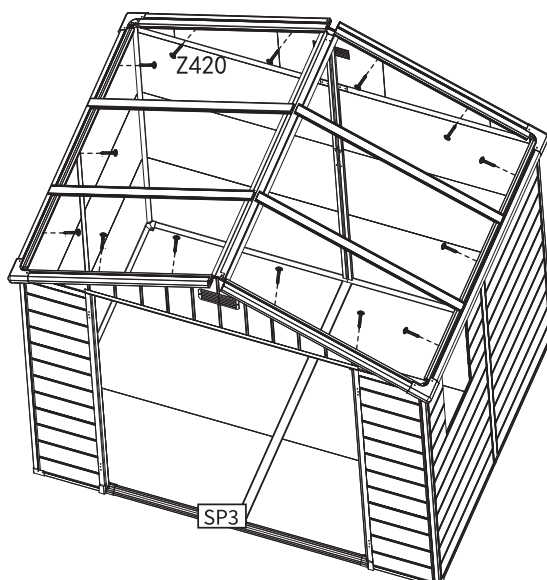
The screws need to be driven in at an upward angle to ensure stability. Please refer to the installation diagram below.



14 PC

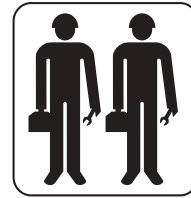
Caution:

Please use Drill to predrill a hole at depth 1mm before screw.



Step 66

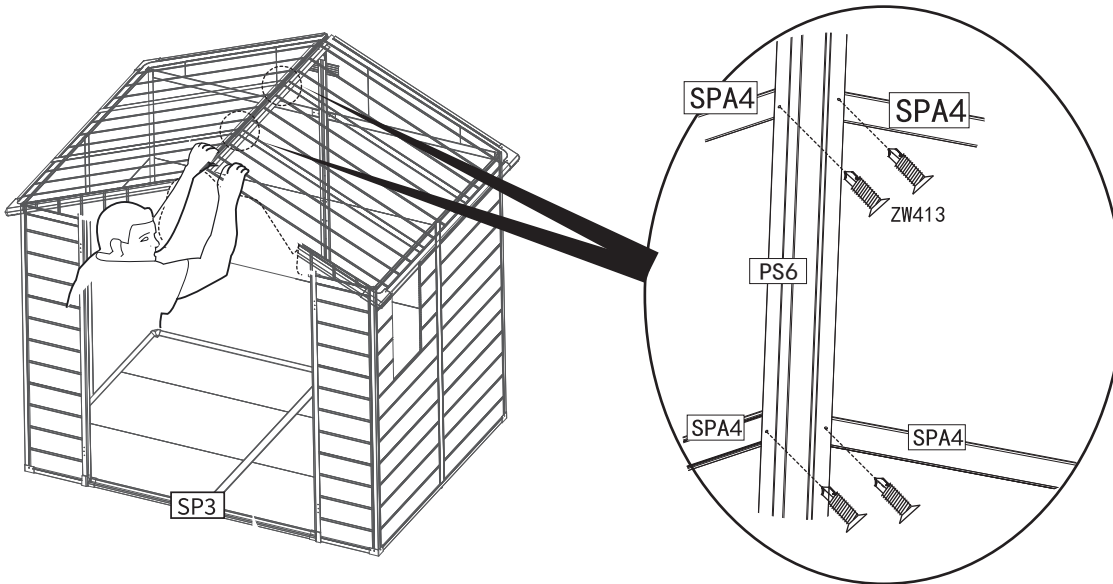
Attention to the location of the screws: they need to be locked on the iron pipe that corresponds to the inside of the plastic profile.



ZW413



4 PC



Attention : for the convenience of screwing, please press the board when you screw.

Step 67

Attention to the location of the screws: they need to be locked on the iron pipe that corresponds to the inside of the plastic profile.

PS7

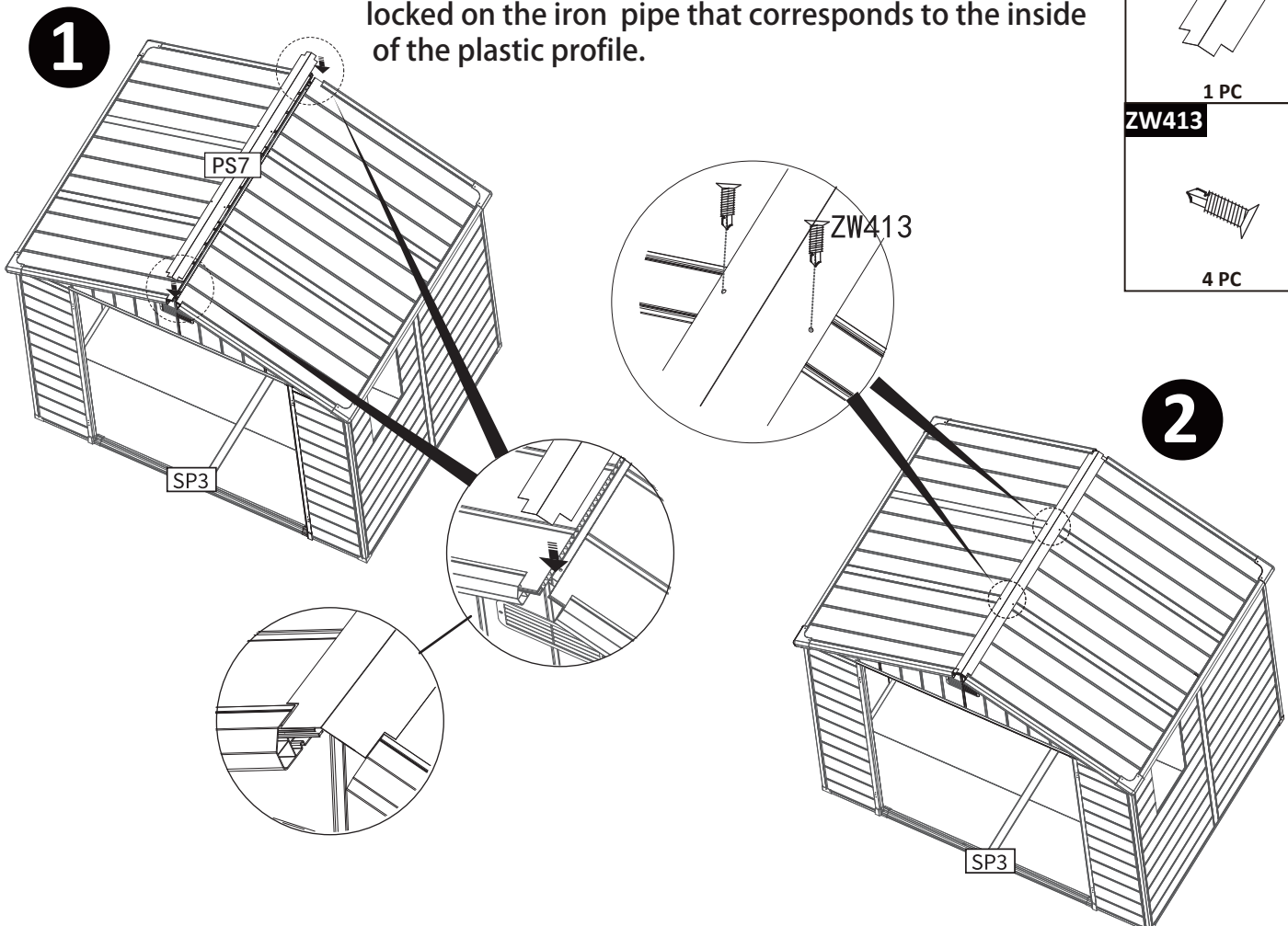


1 PC

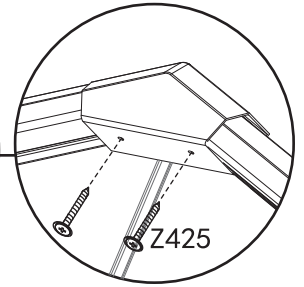
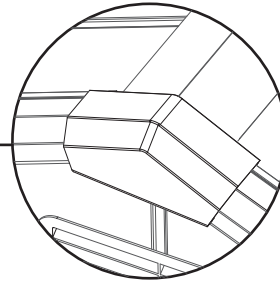
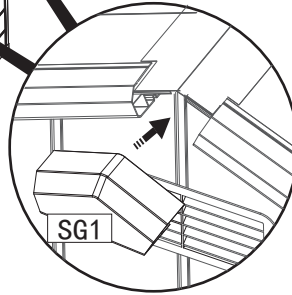
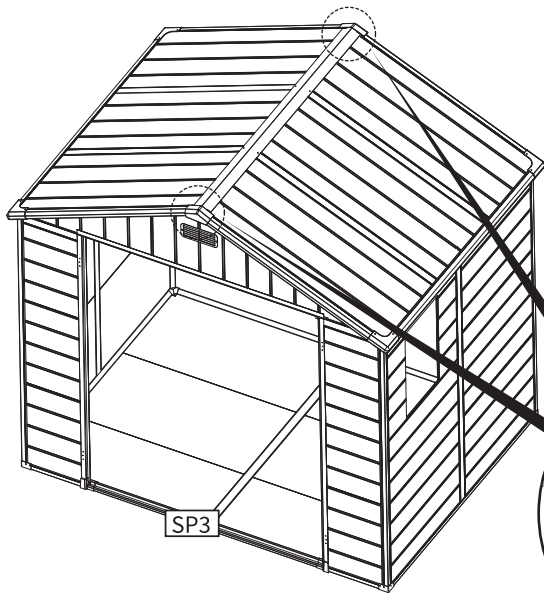
ZW413



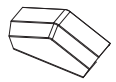
4 PC



Step 68



SG1



2 PC

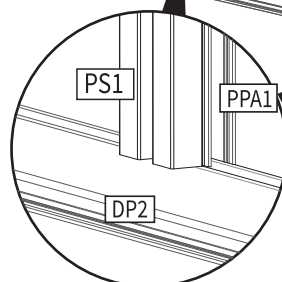
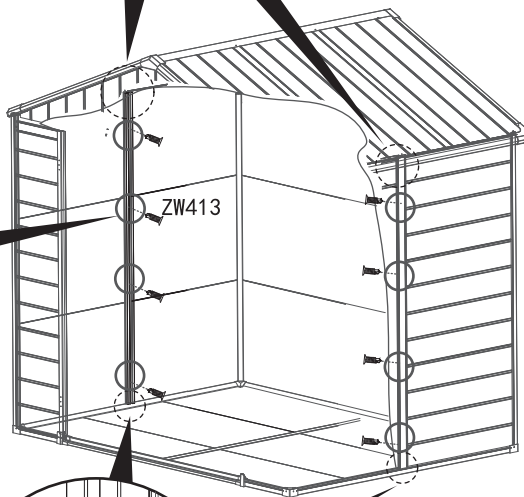
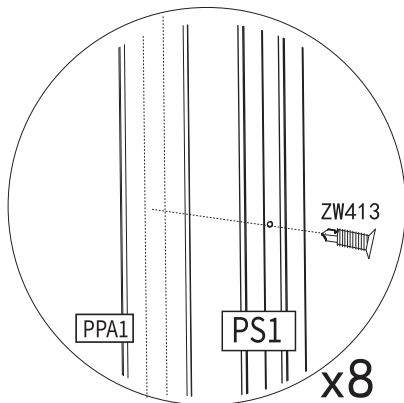
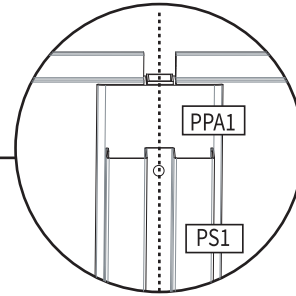
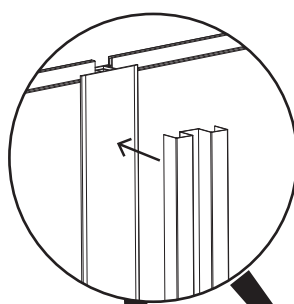
Z425



4 PC

Step 69

Attention to the location of the screws: they need to be locked on the iron pipe that corresponds to the inside of the plastic profile.



PS1



2 PC

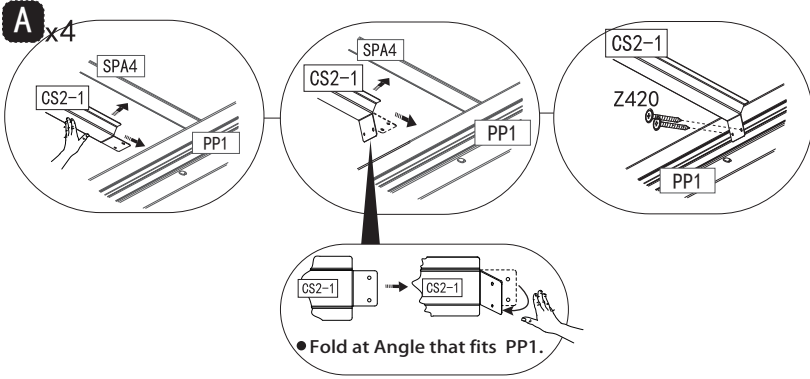
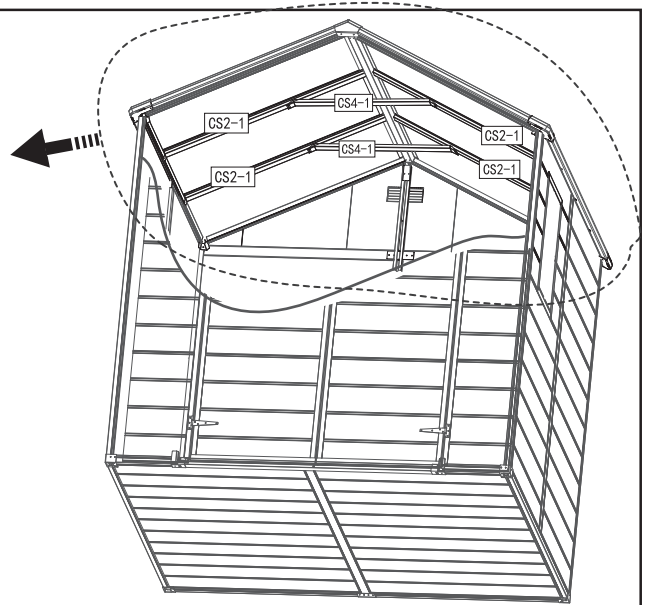
ZW413



16 PC

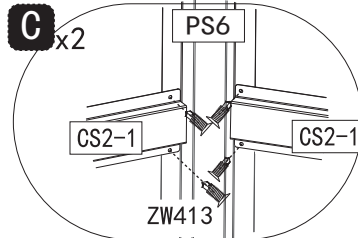
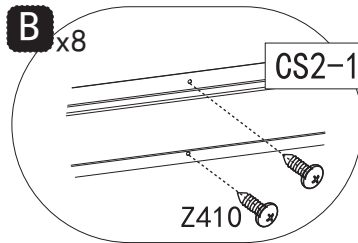
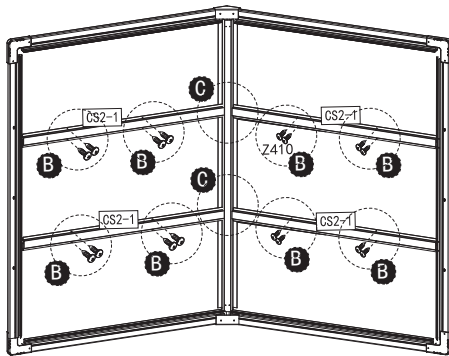
Step 70

1

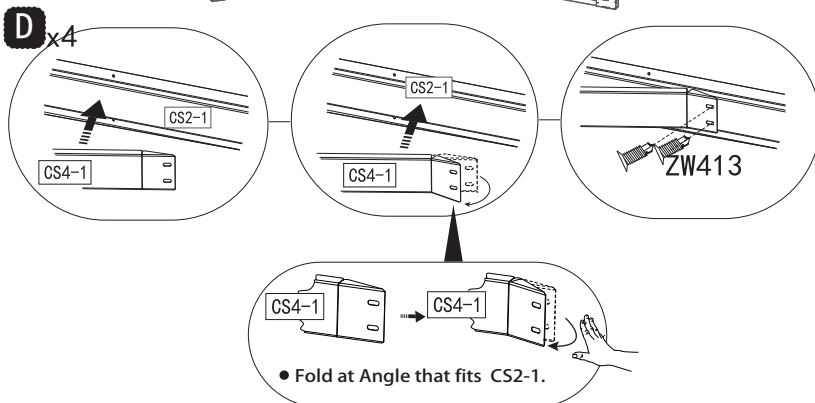
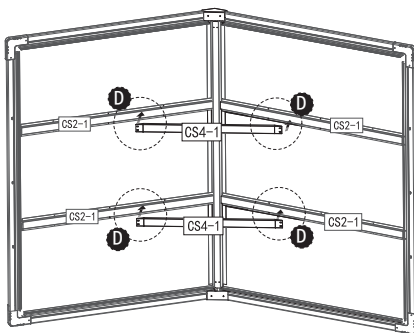


CS2-1	CS4-1
4 PC	2 PC
Z410	Z420
16 PC	8 PC
	ZW413
	8 PC

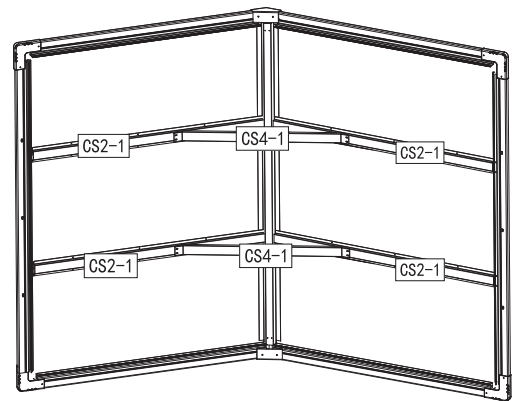
2



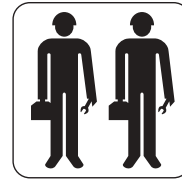
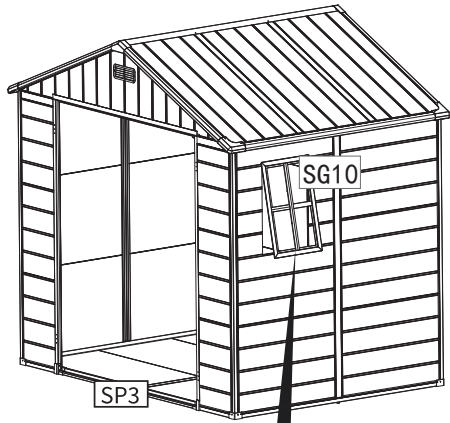
3



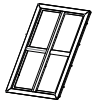
4



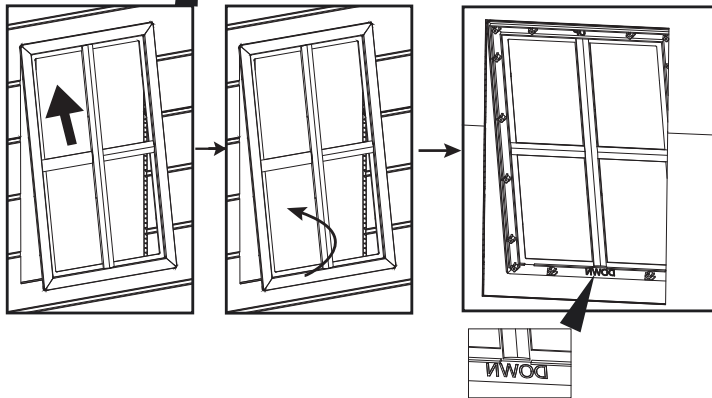
Step 71



SG10



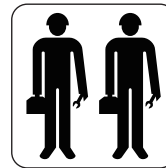
1 PC



Step 72

- Remove the film before fixing SG101

- Two persons are needed for this step, to press SG10 from outside and inside.



SG101



1 PC

SG102

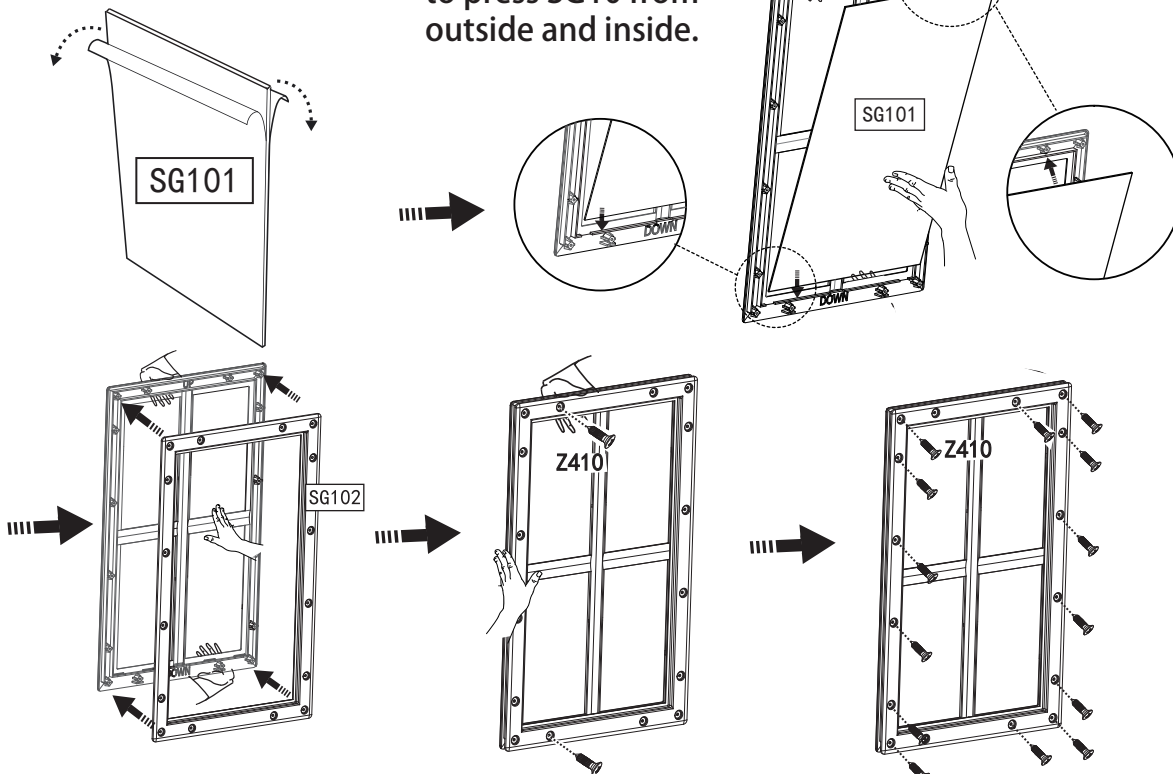


1 PC

Z410



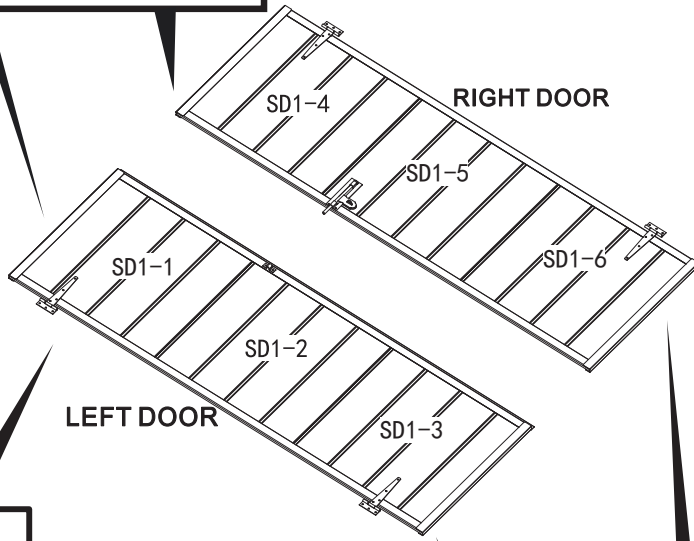
16 PC



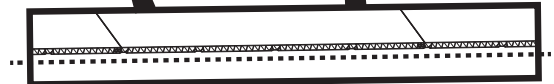
DOOR SECTION



Door mount this is above

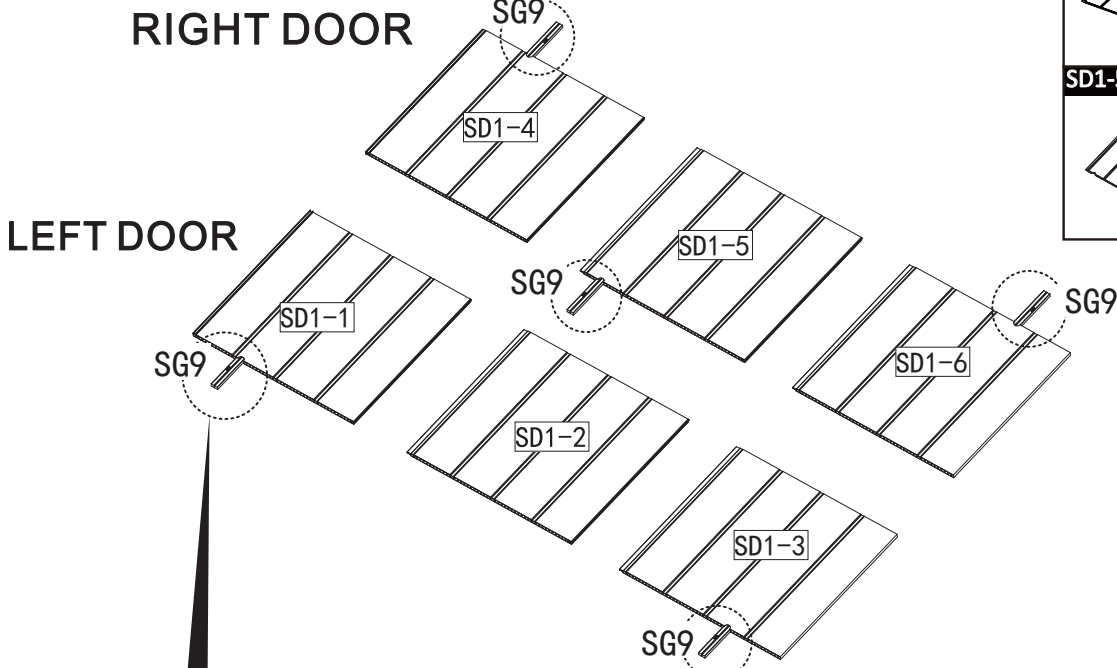


The stripes should be outside

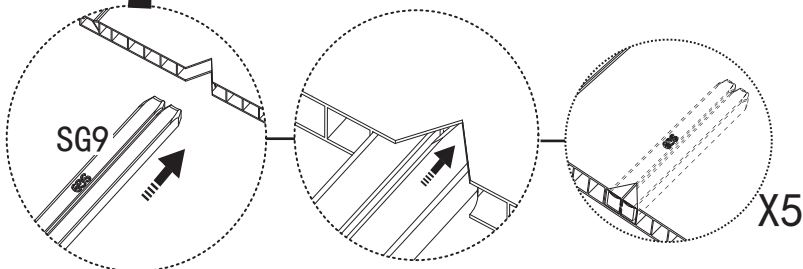


The boards must be straight

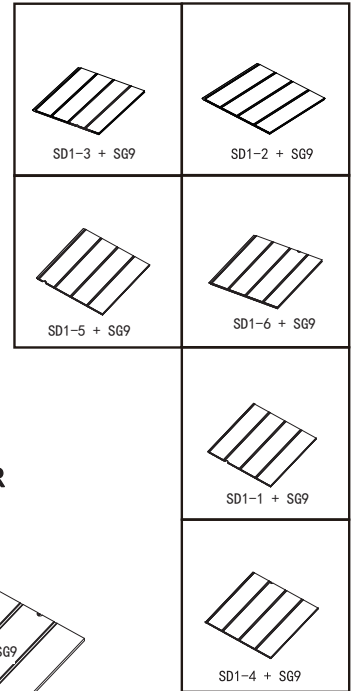
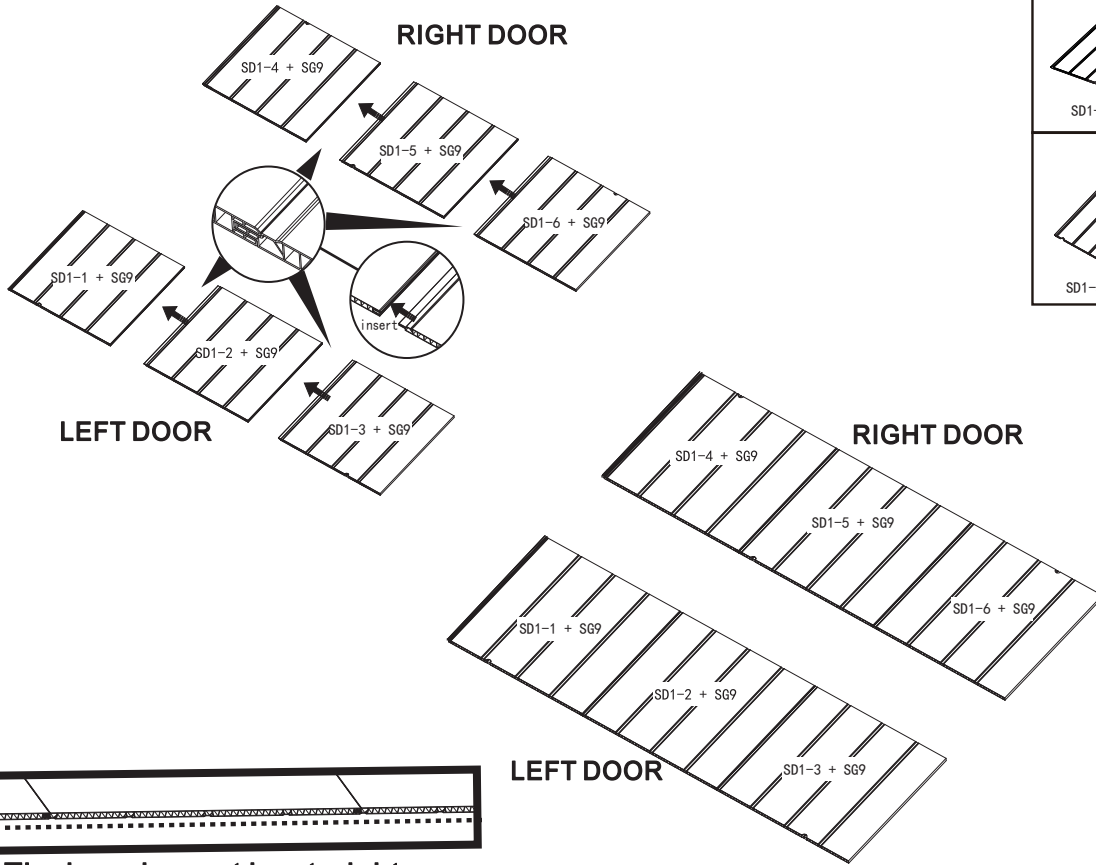
Step 73



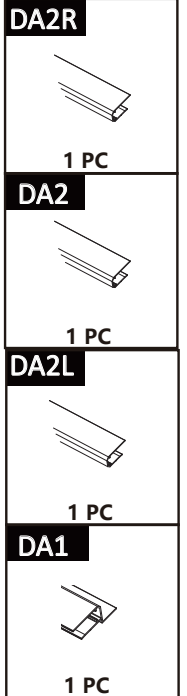
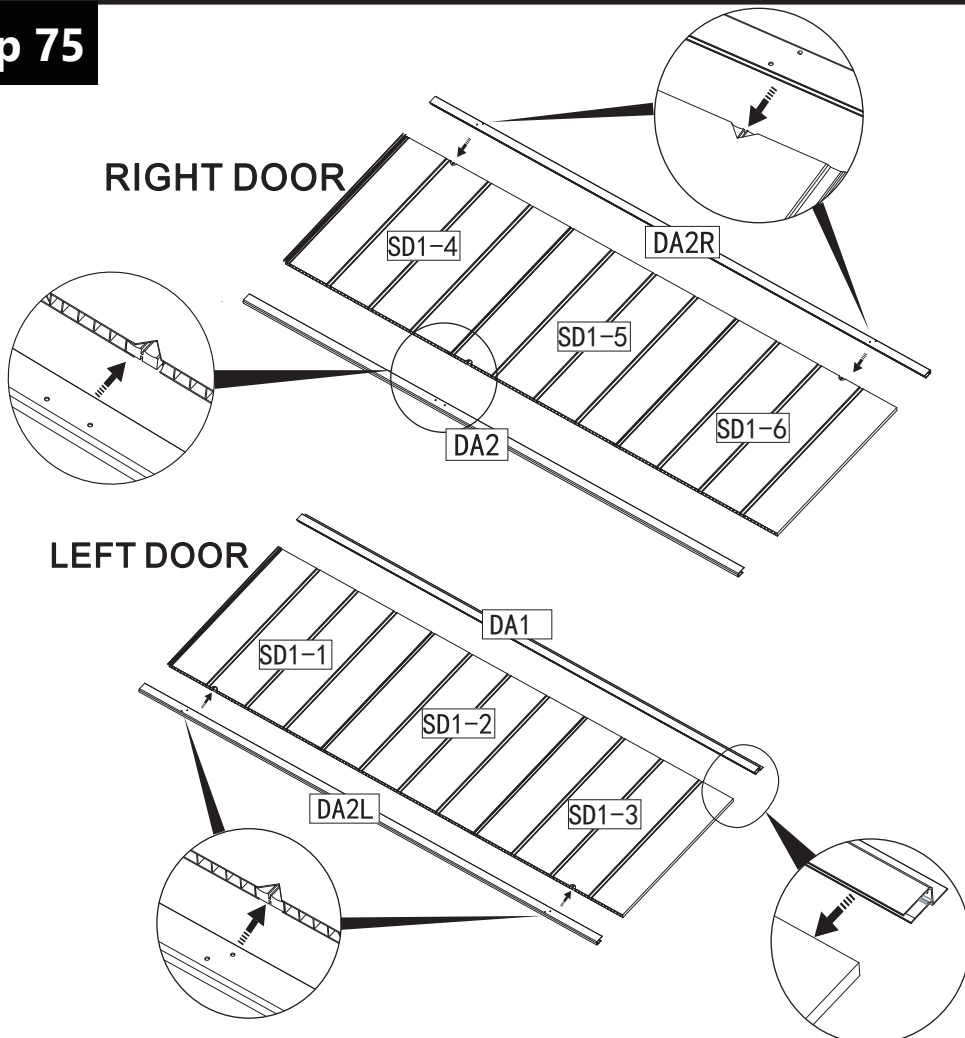
SD1-3 1 PC	SD1-2 1 PC
SD1-5 1 PC	SD1-6 1 PC
SD1-1 1 PC	
SD1-4 1 PC	
SG9 5 PC	



Step 74

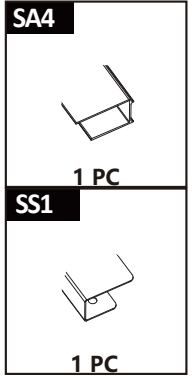
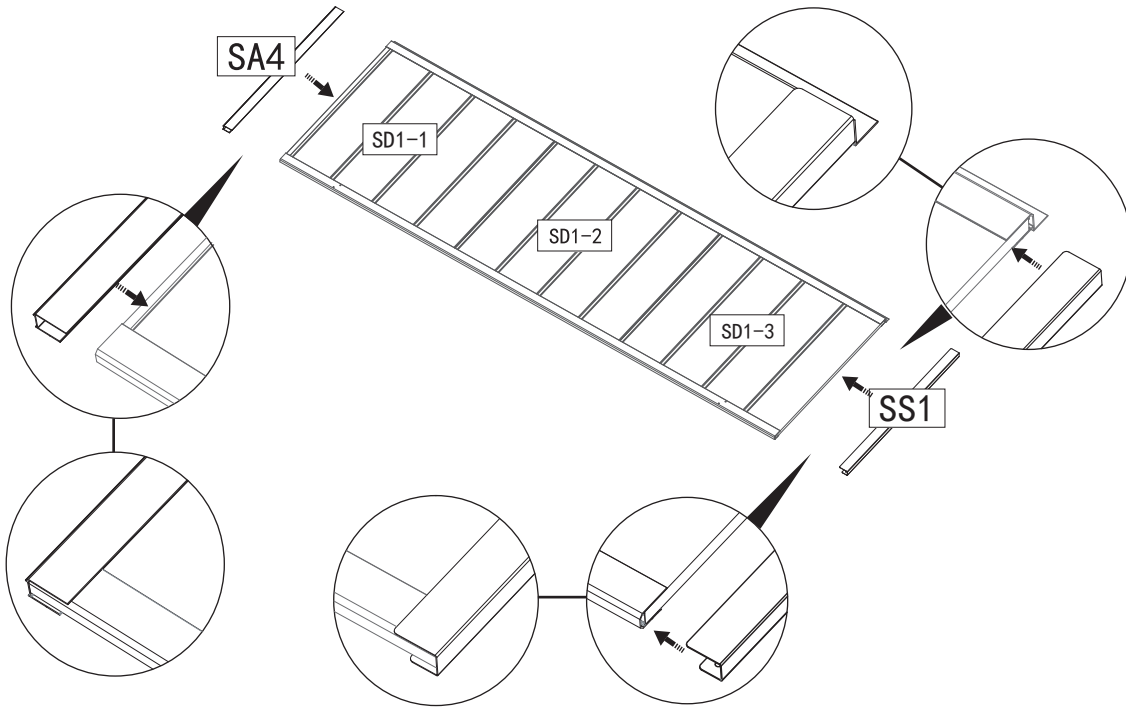


Step 75



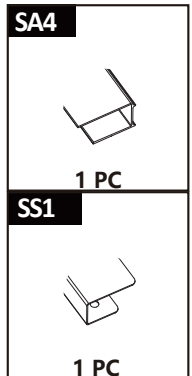
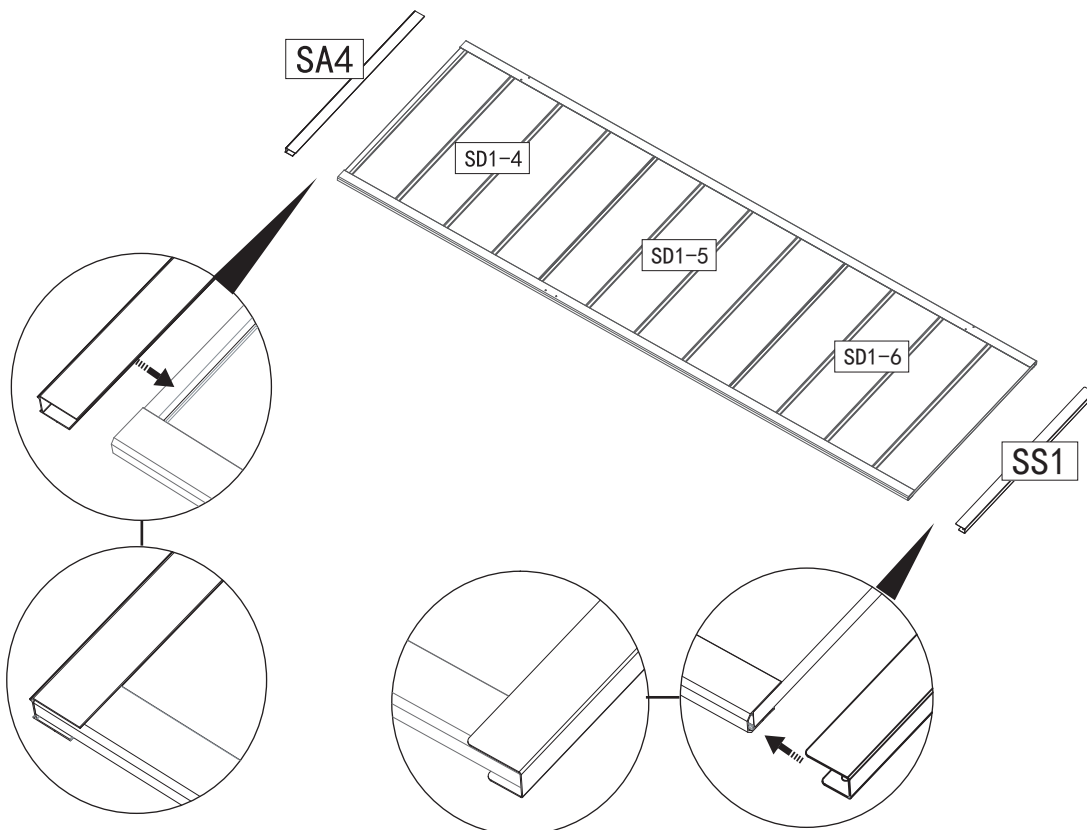
Step 76

LEFT DOOR

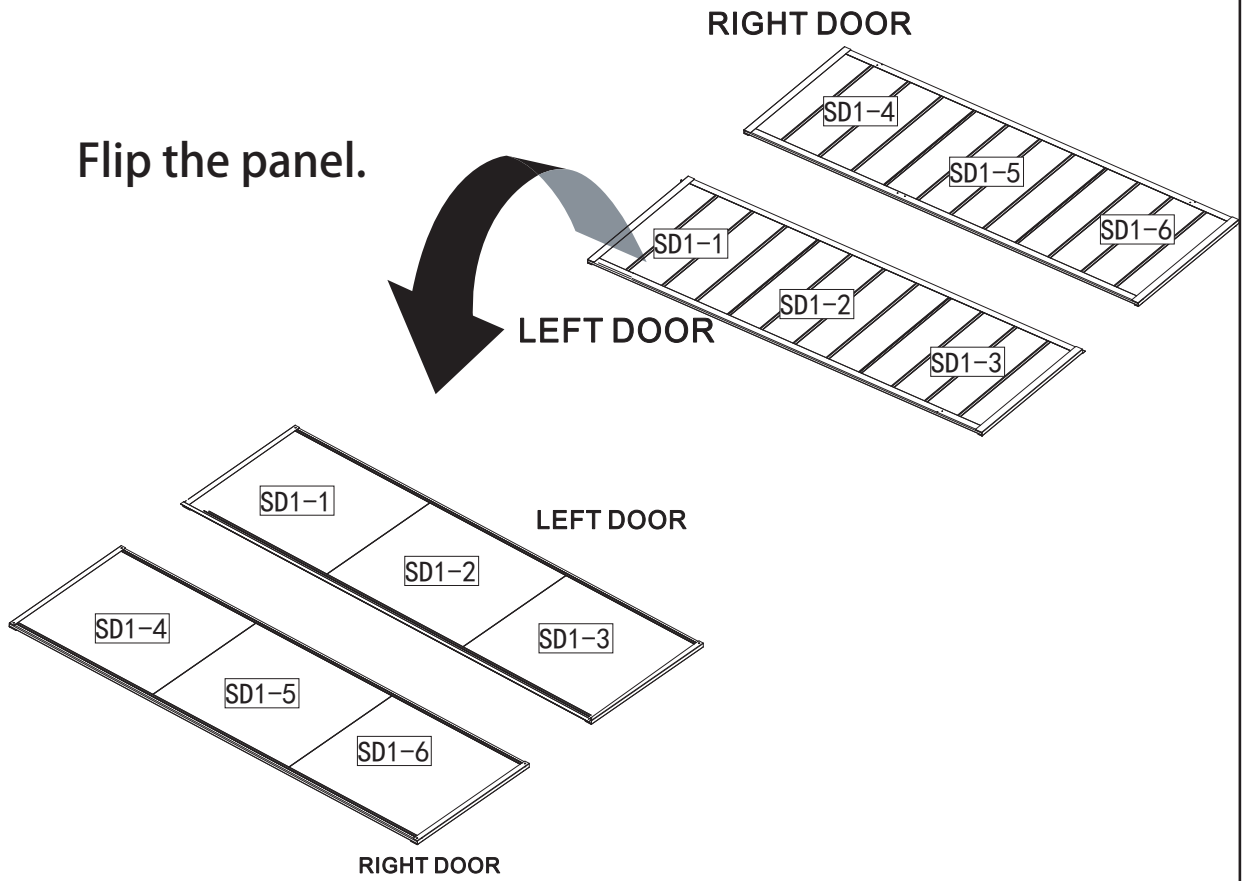


Step 77

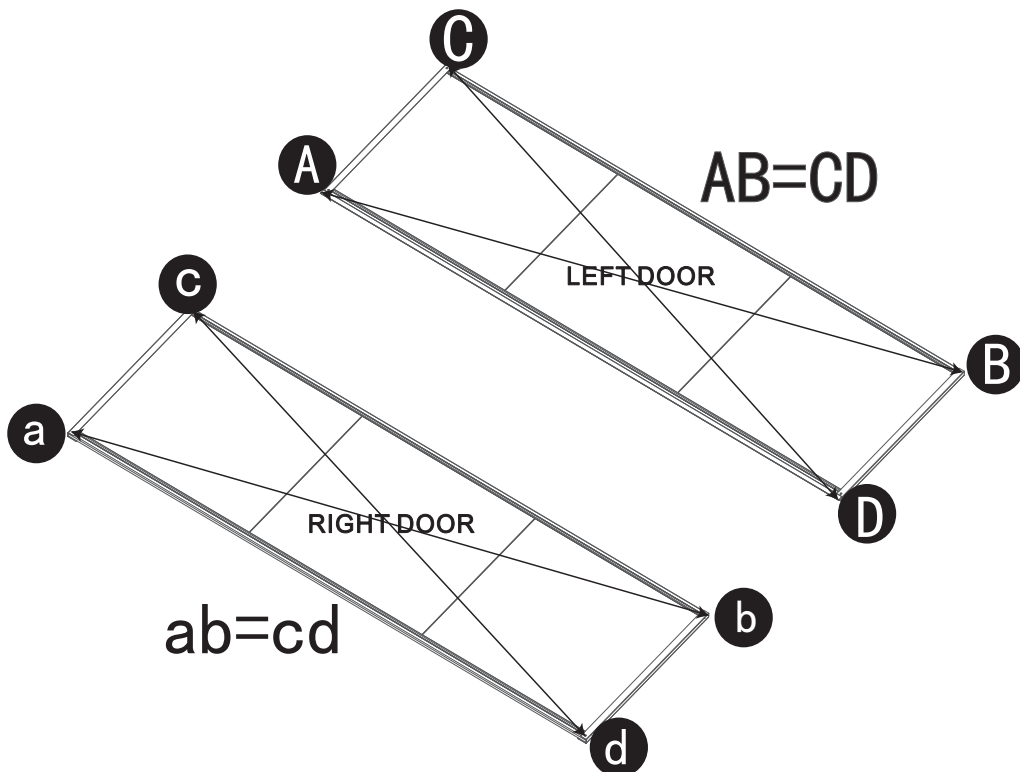
RIGHT DOOR



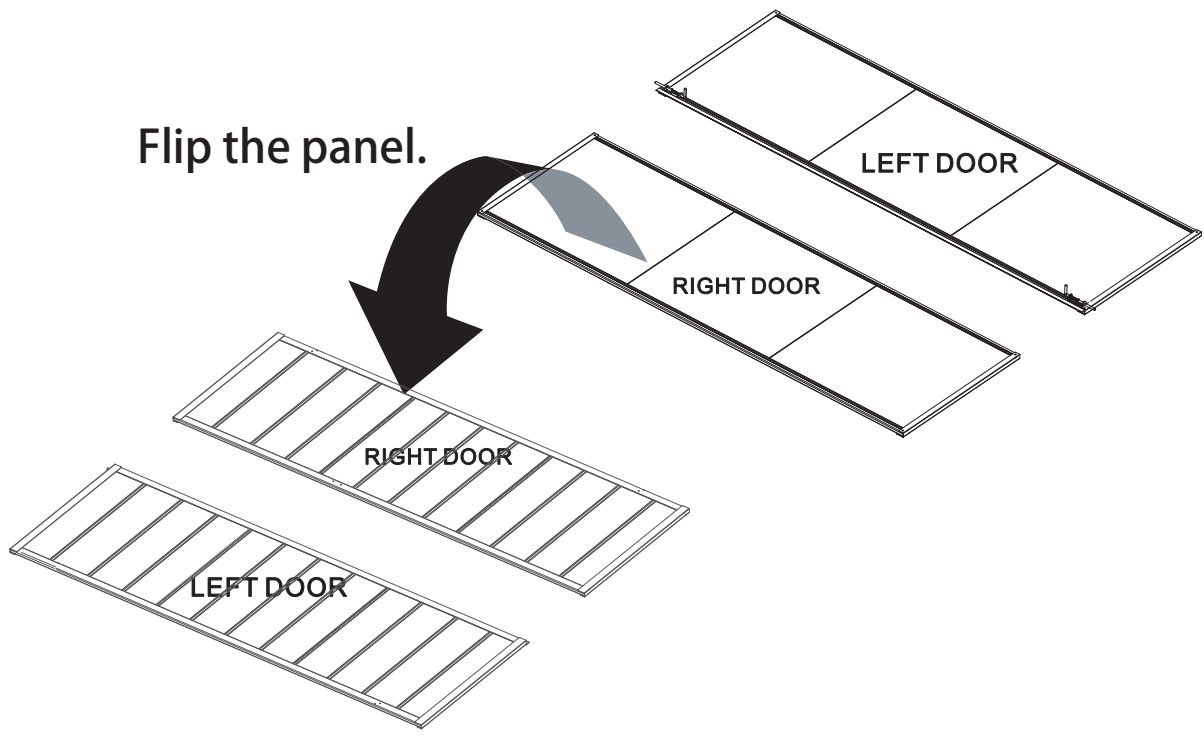
Step 78



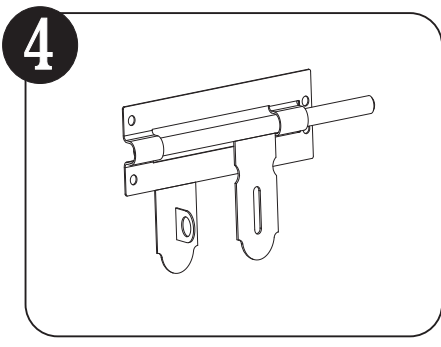
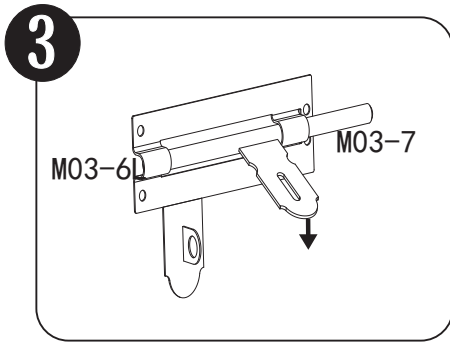
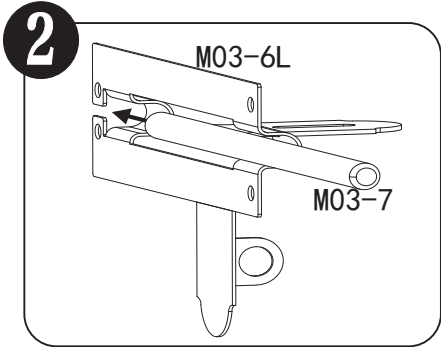
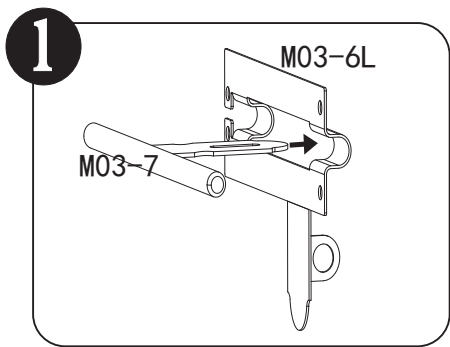
Step 79



Step 82



Step 83



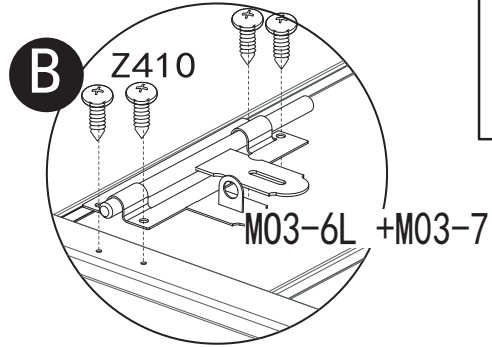
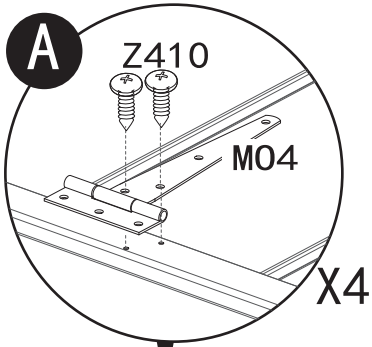
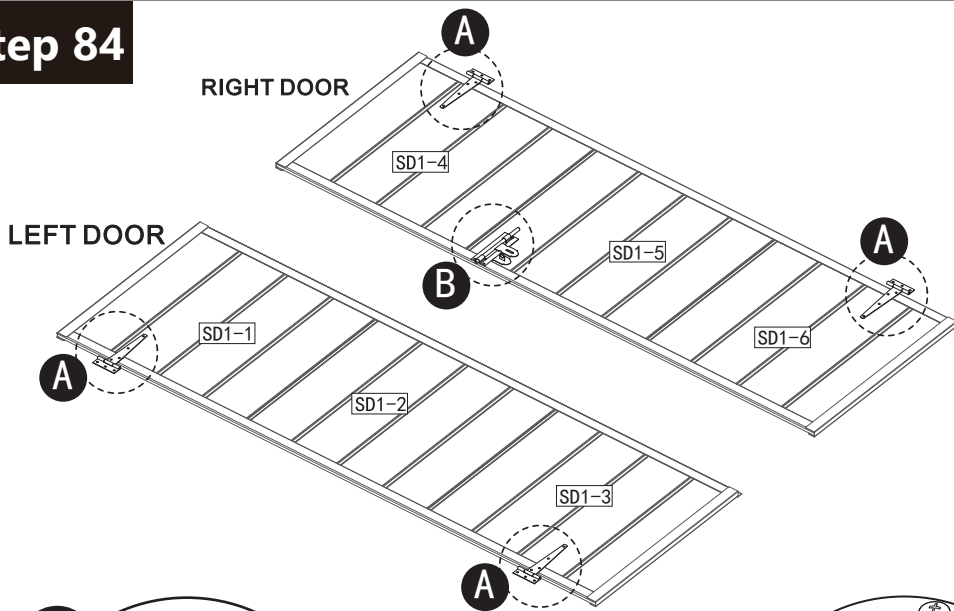
M03-6L

1 PC

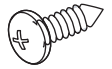
M03-7

1 PC

Step 84

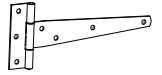


Z410

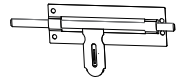


12 PC

M01



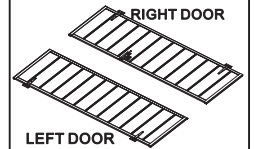
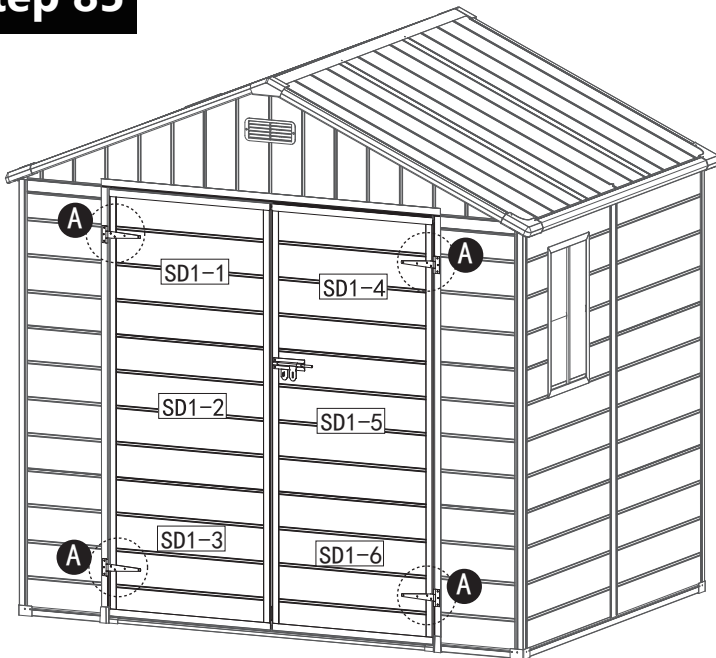
4 PC



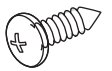
M03-6L + M03-7

Don't fasten the screws in this step, to adjust the positions of doors

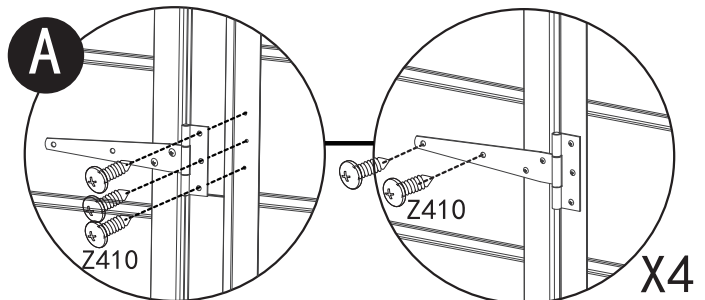
Step 85



Z410

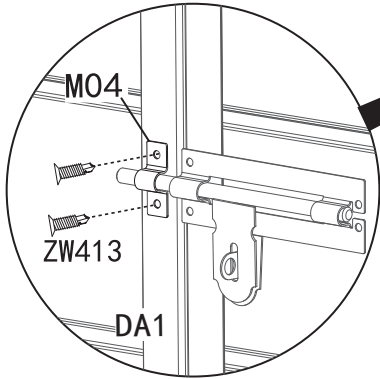
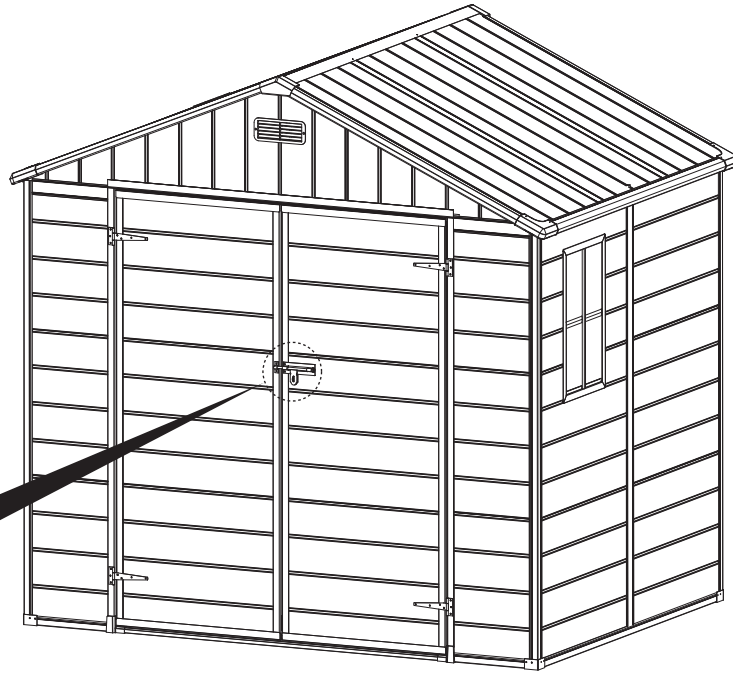


20 PC



Nail the door after place adjustment and fasten all the screws.

Step 86



ZW413



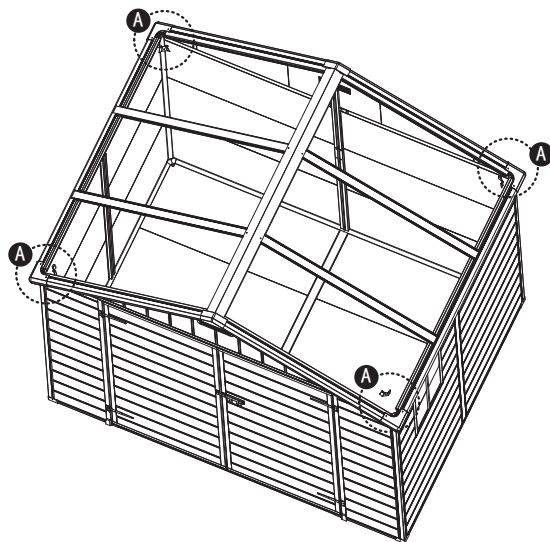
2 PC

M04



1 PC

Step 87



SG14



4 PC

Z420



4 PC

