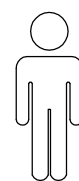
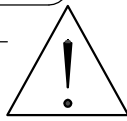
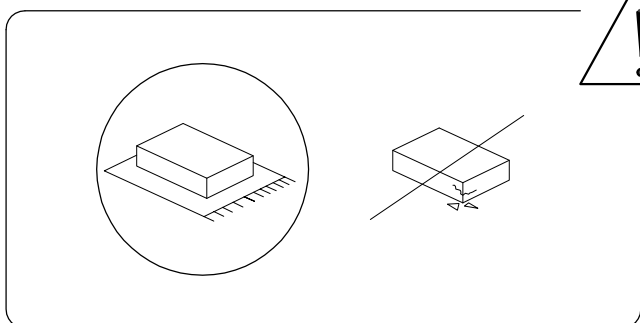
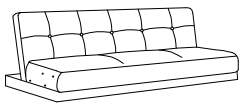
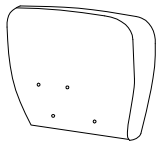
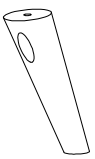

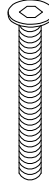
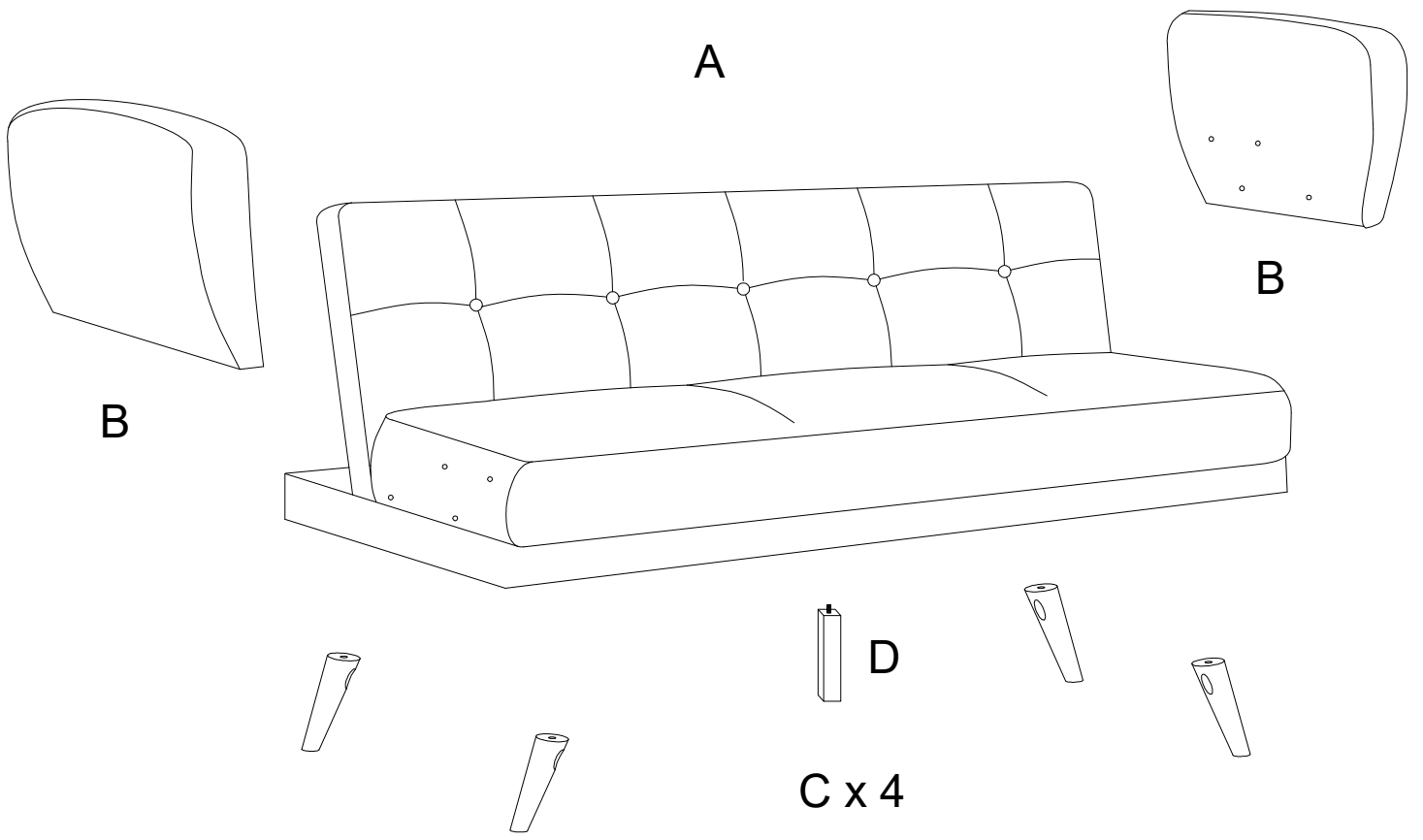



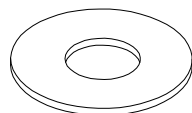
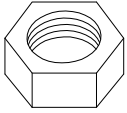
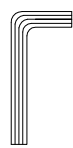
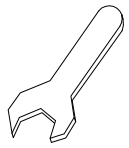
30'

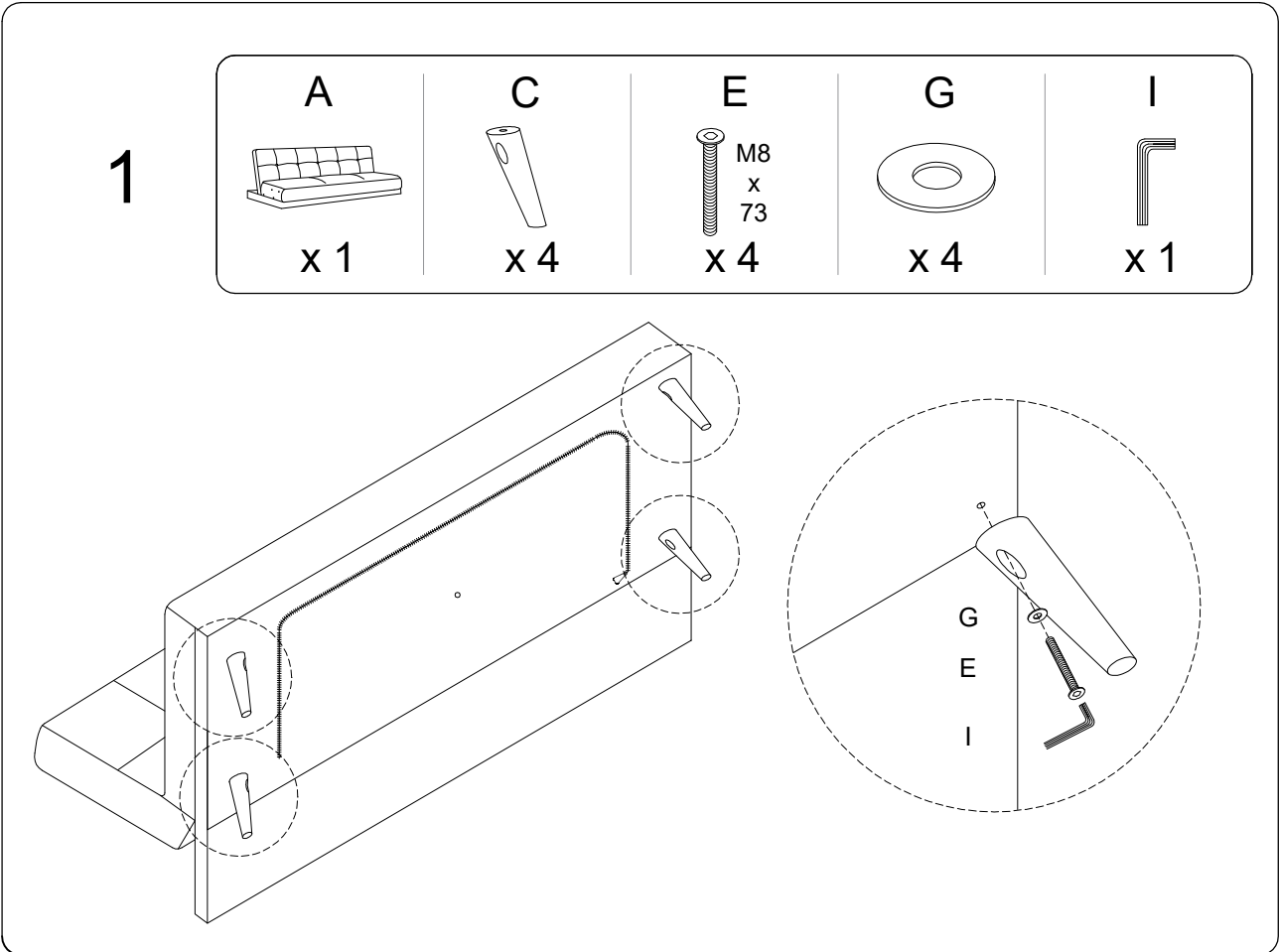
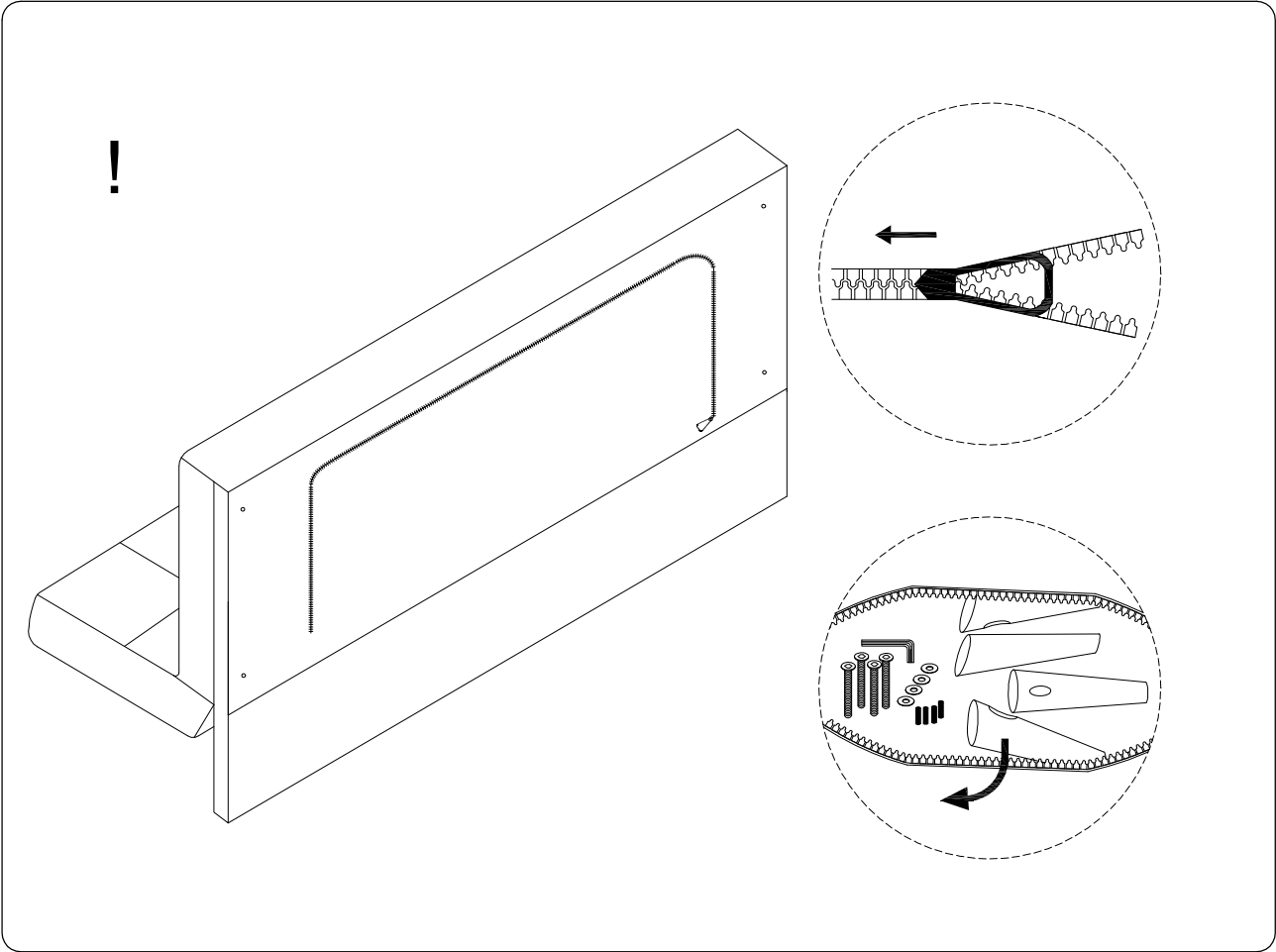


1

| | | | | |
|---|---|---|---|---|
| A | B | C | D | E |
|  |  |  |  |  |
| x 1 | x 2 | x 4 | x 1 | M8 x 73 x 4 |



| | | | | |
|---|---|---|---|---|
| F | G | H | I | J |
|  |  |  |  |  |
| M8 x 90 x 8 | x 12 | x 8 | x 1 | x 1 |

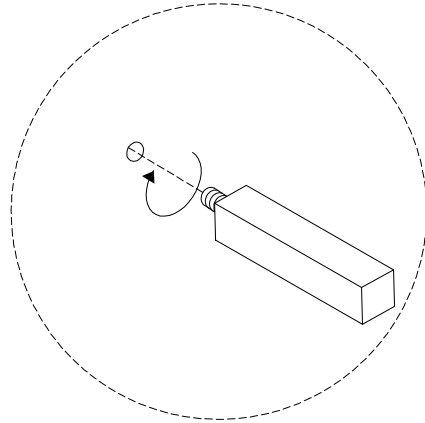
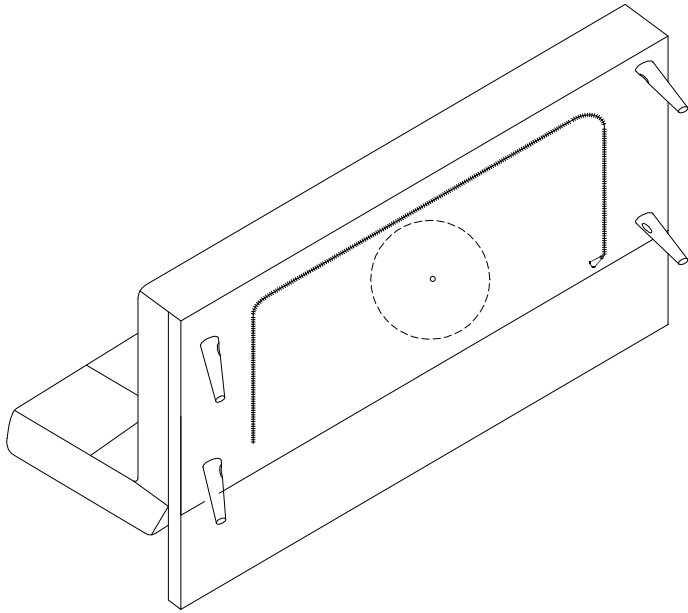


2

D



x 1



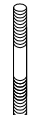
3

B



x 2

F



M8
x
90

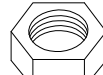
x 8

G



x 8

H

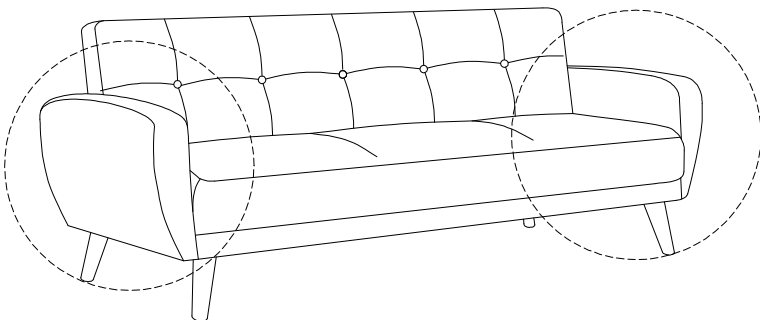


x 8

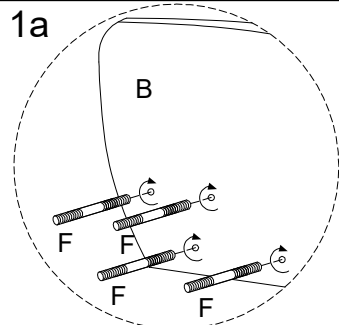
J



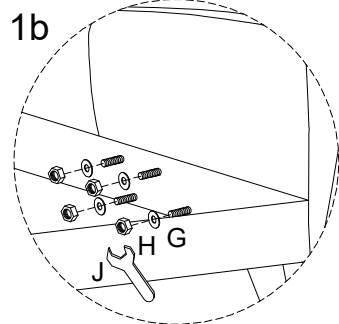
x 1



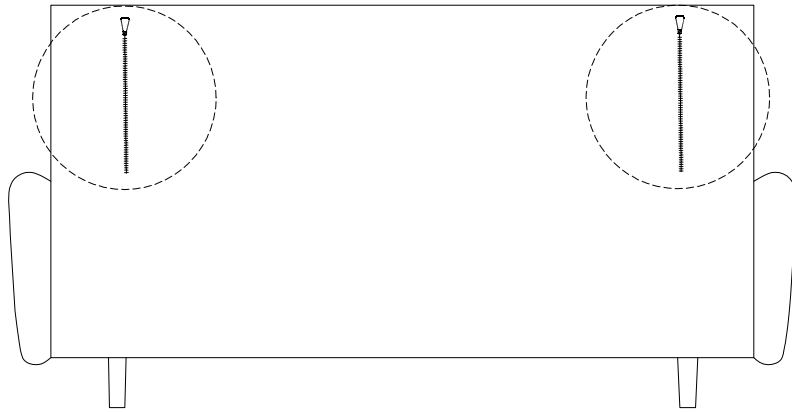
1a



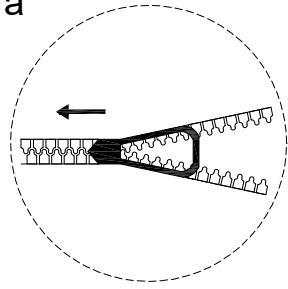
1b



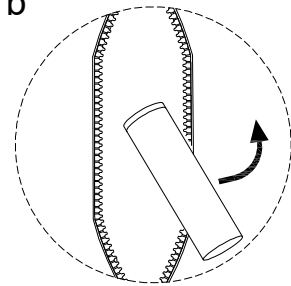
4



1a



1b



5

