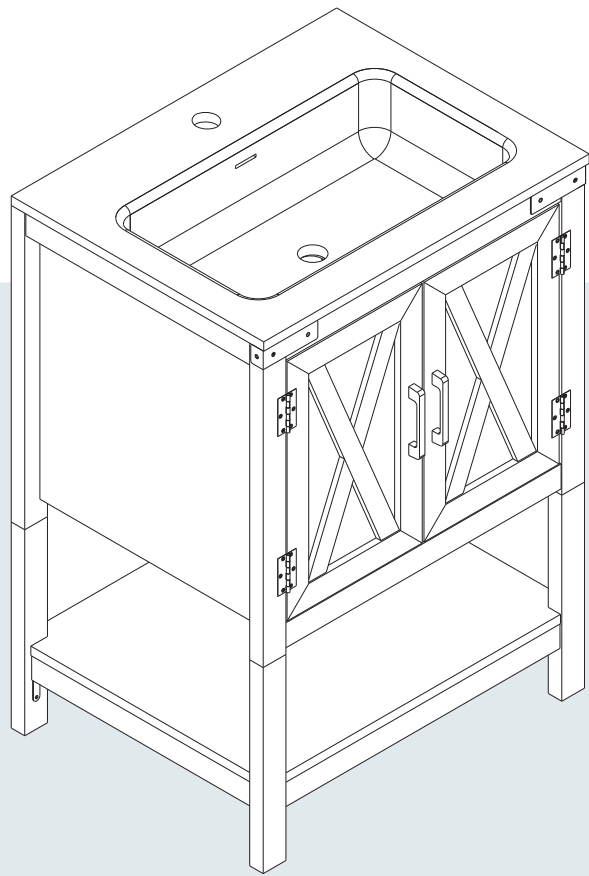


# Vanity

Assembly Instruction - Please keep properly for future reference.

---

If you find any missing boxes, damaged parts, or accessory shortages, please contact the customer service team of your purchasing channel immediately. We will resolve the issue as quickly as possible.



## CONTACT US

---

- In order to receive assistance more quickly, please provide
- 

## THE FOLLOWING INFORMATION:

---

- Order number
  - Purchase platform
  - Purchase date
  - Detailed description of the issue along with photos (if applicable)
- 

**Important** – Please read these instructions carefully before starting the installation.

# Before Assembly



Thank you for choosing our product!

To ensure a smooth installation process, please read this guide carefully to familiarize yourself with the required tools, materials, and installation steps.

Follow the relevant sections to avoid any damage caused by improper installation, and make sure to review all operation and safety guidelines for correct installation procedures.

## Packaging Notice:

If you find any missing boxes, damaged parts, or accessory shortages, please contact the customer service team of your purchasing channel immediately. We will resolve the issue as quickly as possible.

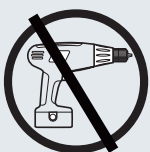
# Safety and Care Advice



## Important :

Please read these instructions fully before starting assembly.

- Check you have all the components and tools listed on the following pages.
- Remove all fittings from the plastic bags and separate them into their groups.
- Keep children and animals away from the work area, small parts could choke if swallowed.
- Make sure you have enough space to layout the parts before starting.
- During assembly do not stand or put weight on the product, this could cause damage.
- Assemble the item as close to its final position (in the same room) as possible.
- Assemble on a soft level surface to avoid damaging the unit or your floor.
- Parts of the assembly will be easier with 2 people.



- To reduce the likelihood of damaging your product please ensure that your power drill is set on a low torque setting.

## Care and Maintenance

- Only clean using a damp cloth and mild detergent, do not use bleach or abrasive cleaners.
- From time to time check that there are no loose screws on this unit.
- This product should not be discarded with household waste. Take to your local authority waste disposal center.

## Handy Hints

- Assemble all parts and bolts loosely during assembly, only once the product is complete should you fully tighten the bolts.
- Regularly check and ensure that all bolts and fittings are tightened properly.

## Warning

**In order to help prevent overturning, please follow these instructions.**

- Use the anti tip strap or wall fixing method provided (if applicable).
- Do not allow children to climb or hang on the furniture.
- Do not open more than one drawer at a time.
- Do not place heavy items in the top drawers.
- Do not place heavy items on top of the furniture, unless the furniture has been designed for this purpose.
- Please note that only the anti tip strap is provided. You will need to provide wall plugs and screws applicable for your wall type.

# Customer Service Guide



Thank you for choosing our product! We are committed to providing you with excellent service. If you find any missing parts, damaged packaging, or product damage after receiving all packages, please follow the steps below to quickly contact our customer service team. We will do our best to resolve your issue.

## 1. Missing Parts

### Verify Parts:

1. Refer to the “Parts List” in the manual to verify the name, specifications, and quantity of the missing parts.
2. Take a clear photo of the parts list and mark the missing parts with detailed information, e.g., “Missing 5 pieces of M6×30mm screws.”

### Contact Us:

#### By Email:

Send an email with the subject line “Missing Parts Issue.” Include the following in the email:

- A description of the missing parts and a photo of the parts list.
- Order details (order number, purchase platform, purchase date).

## 2. Product or Packaging Damage

### If it affects normal use:

#### Steps:

1. Take clear photos or videos showing the damaged parts and the extent of the damage (multi-angle shots are recommended).
2. Email the photos/videos along with order details with the subject line “Product Damage Issue.”

#### Resolution:

After verification, we will arrange for a replacement part, product exchange, or refund as quickly as possible.

**If it does not affect normal use:****Steps:**

1. Contact our customer service team.
2. Provide a description of the damage and include relevant photos or videos.

**Resolution:**

We will provide repair guidance or an appropriate compensation plan based on the specific situation.

**Helpful Tips****To process your issue efficiently, please prepare the following information:**

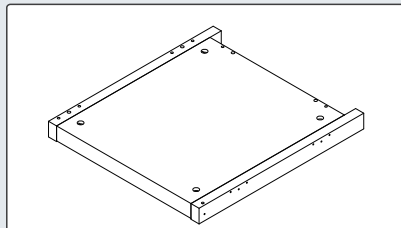
- Order details (order number, purchase platform, purchase date).
- Clear photos or videos.
- We are committed to providing quick and professional solutions, no matter the size of the issue, to ensure your satisfaction.

**Thank you for your trust and support!  
We hope you enjoy using our product!**

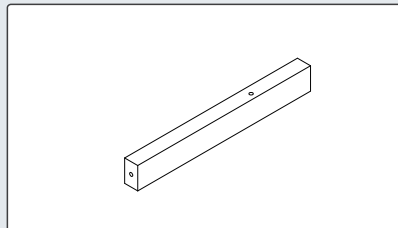
# Parts List - Panels



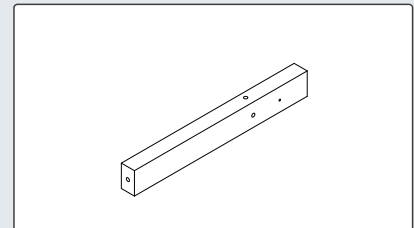
Please check you have all the panels listed below.



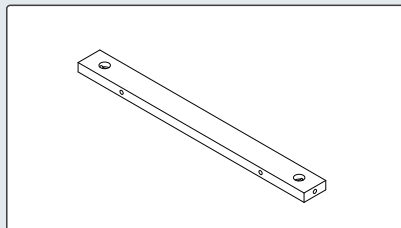
**1** 510\*466\*42mm x1



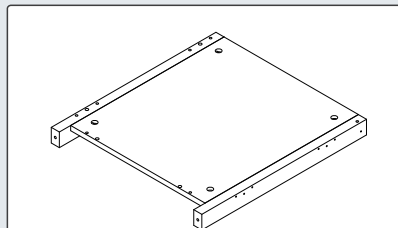
**2** 330\*42\*25mm x1



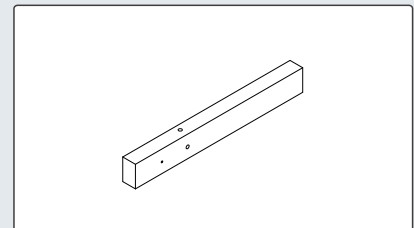
**3** 330\*42\*25mm x1



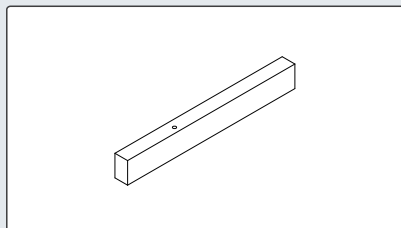
**4** 416\*40\*15mm x2



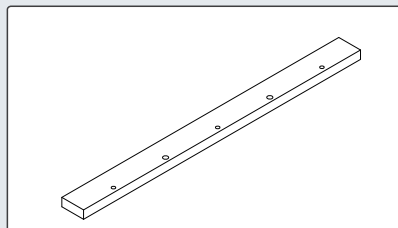
**5** 510\*466\*42mm x1



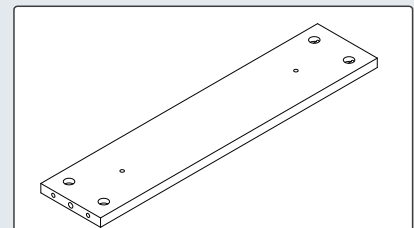
**6** 330\*42\*25mm x1



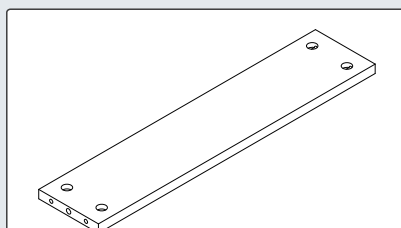
**7** 330\*42\*25mm x1



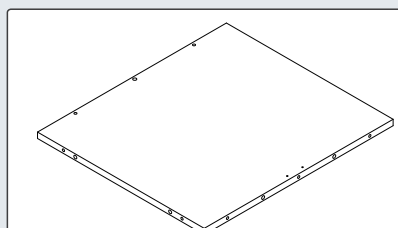
**8** 510\*40\*15mm x1



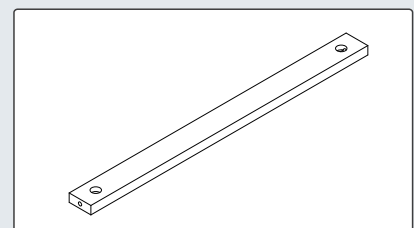
**9** 510\*110\*15mm x1



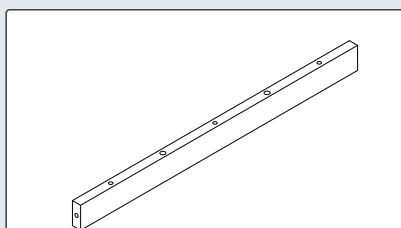
**10** 510\*110\*15mm x1



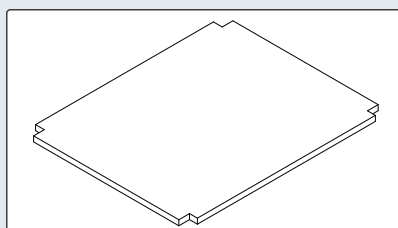
**11** 510\*110\*15mm x1



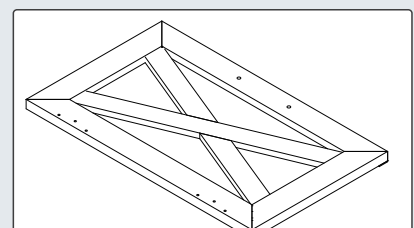
**12** 510\*40\*15mm x1



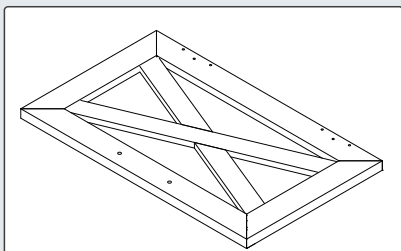
**13** 510\*40\*15mm x2



**14** 570\*464\*15mm x1



**15** 414\*250\*15mm x1



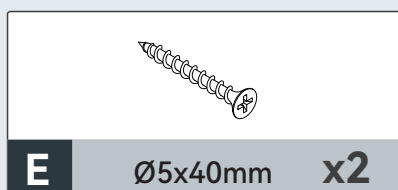
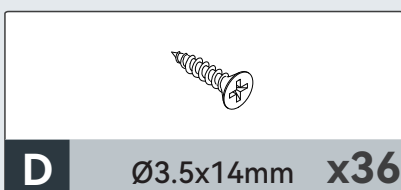
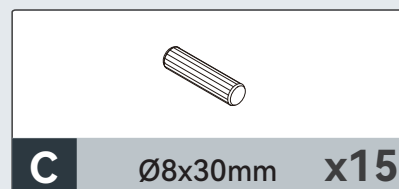
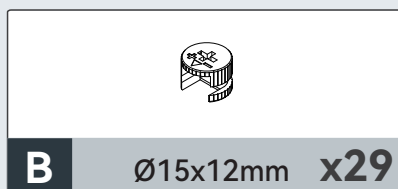
**16** 414\*250\*15mm **x1**

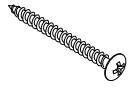

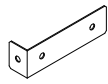

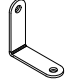
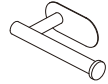
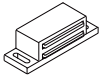
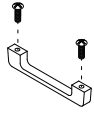

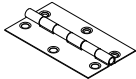

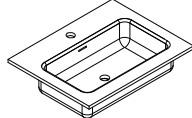
## Parts List - Fittings



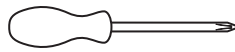
Please check you have all the fittings listed below.

**Note:** The quantities below are the correct amount to complete the assembly. In some cases more fittings may be supplied than required.



		
<b>G</b> Ø5x50mm x10	<b>H</b> Ø7x50mm x4	<b>I</b> Right angle bracket x2
		
<b>J</b> Protective Foot x4	<b>K</b> L shape bracket x4	<b>L</b> Toilet paper holder x1
		
<b>M</b> Door Stopper x1	<b>N</b> Handle & Fixings x2	<b>O</b> Metal Plate x2
		
<b>P</b> Hinge x4	<b>Q</b> Wall Fixing Pack x2	<b>R</b> Sink x1

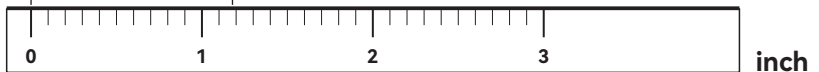
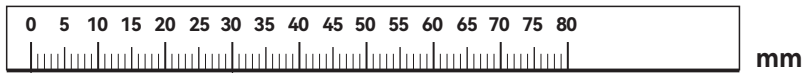
**Tools required**



Phillips screwdriver  
(medium & large)

**Ruler**

Use this ruler to help correctly identify the screws



The screws length is measured from the head to the point (30mm screw shown).

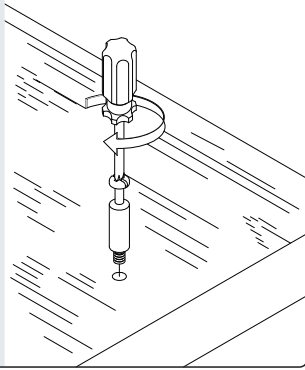


# Using Camlocks

## Step 1

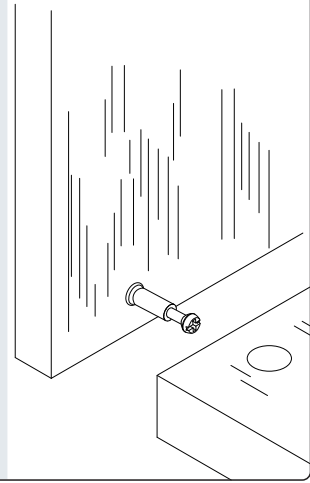
Connect the male camlock as directed in the assembly instructions using a screwdriver.

**DO NOT OVER TIGHTEN.**



## Step 2

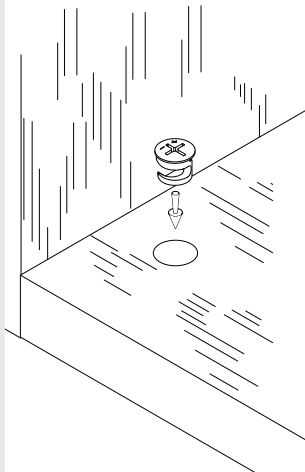
Push the male camlock into the entry hole.



## Step 3

Insert the female camlock as shown in the instructions.

**Note: ensure that the arrow on the top of the camlock points towards the entry hole for the male camlock.**

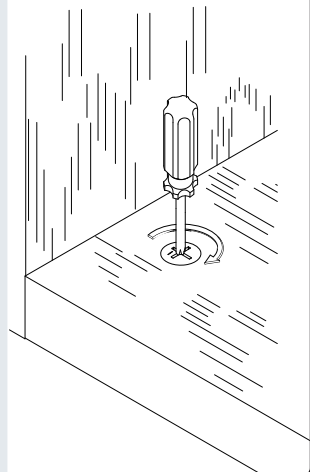


## Step 4

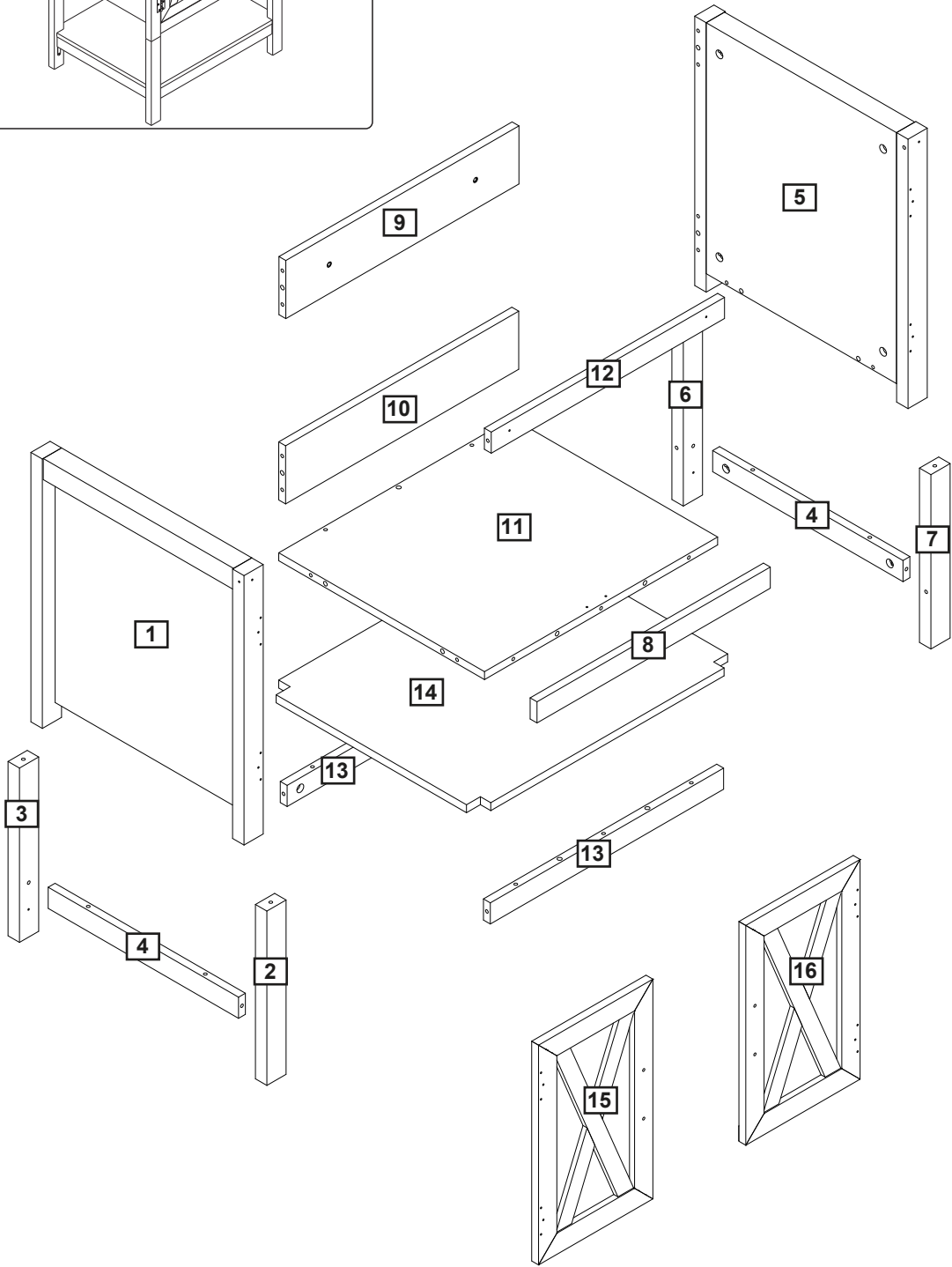
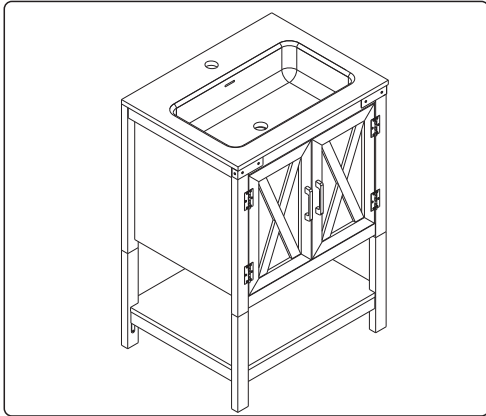
Turn the female camlock clockwise with a screwdriver.

You should feel a click when the camlock is locked in place.


The joint is now secure.

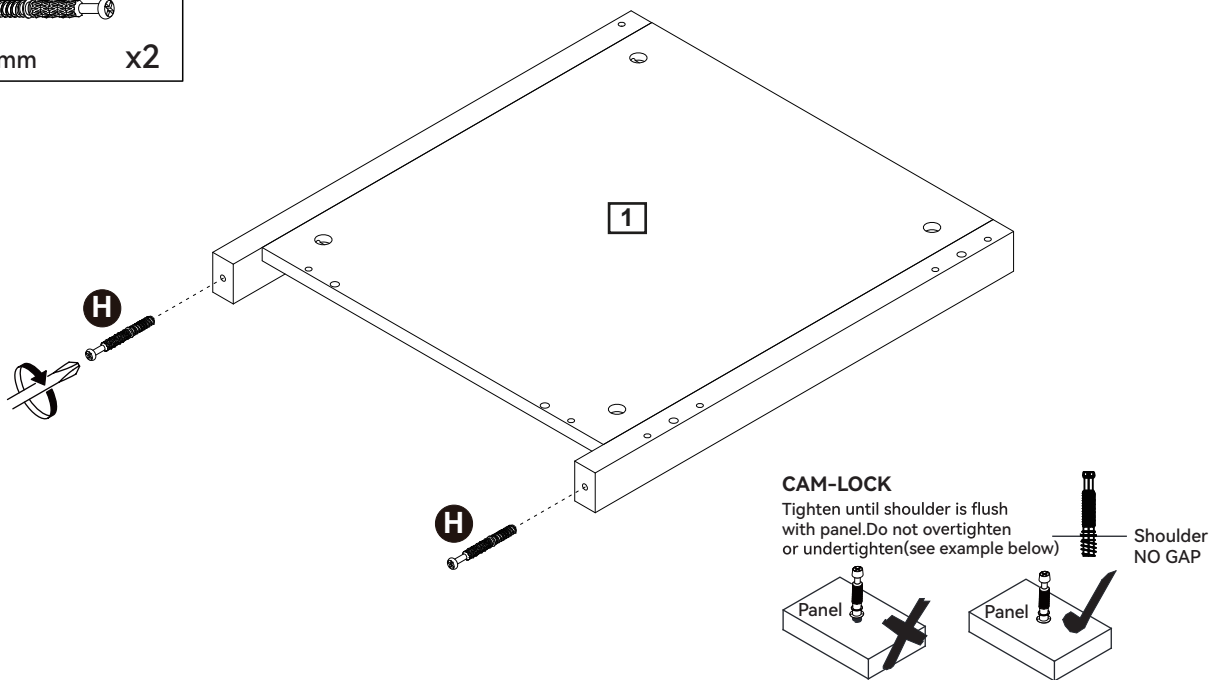


# Assembly Instructions




# Step 1

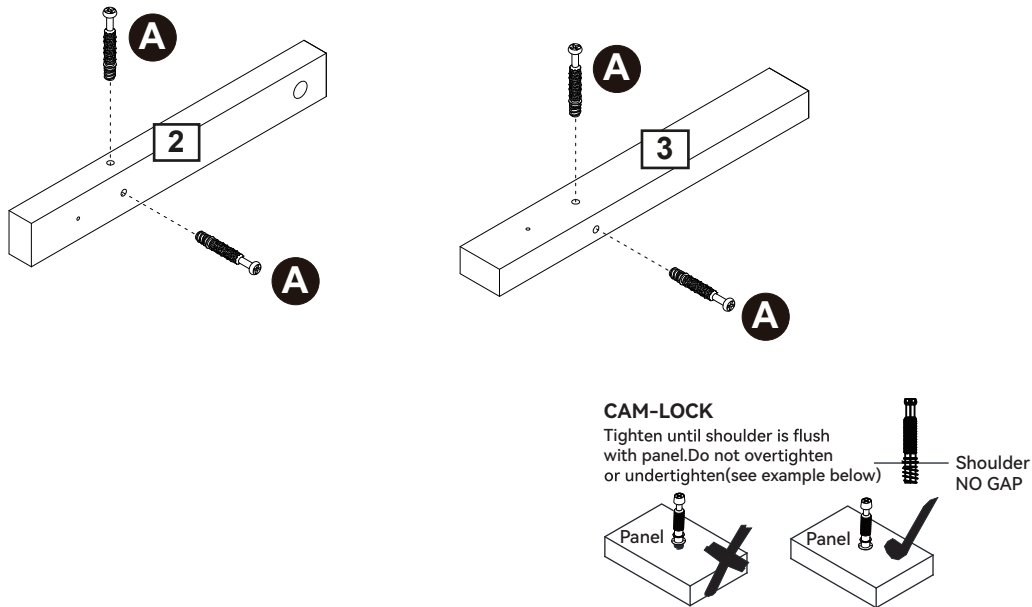
**H**   
Ø7x50mm x2



Attach cam bolt (H) to part (1).

# Step 2

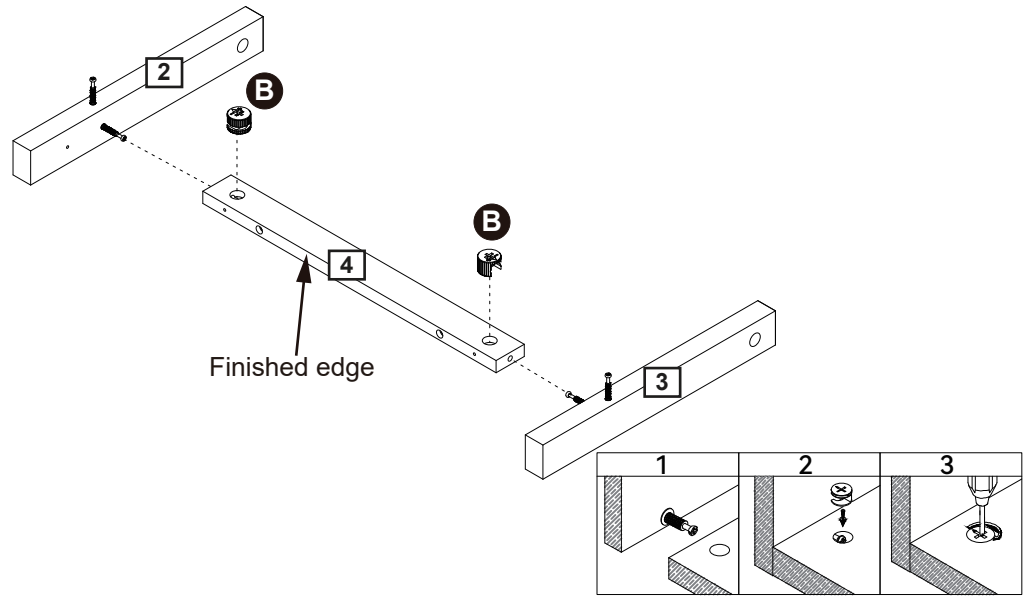
**A**   
Ø7x39mm x4



Attach cam bolt (H) to part (2, 3).




### Step 3

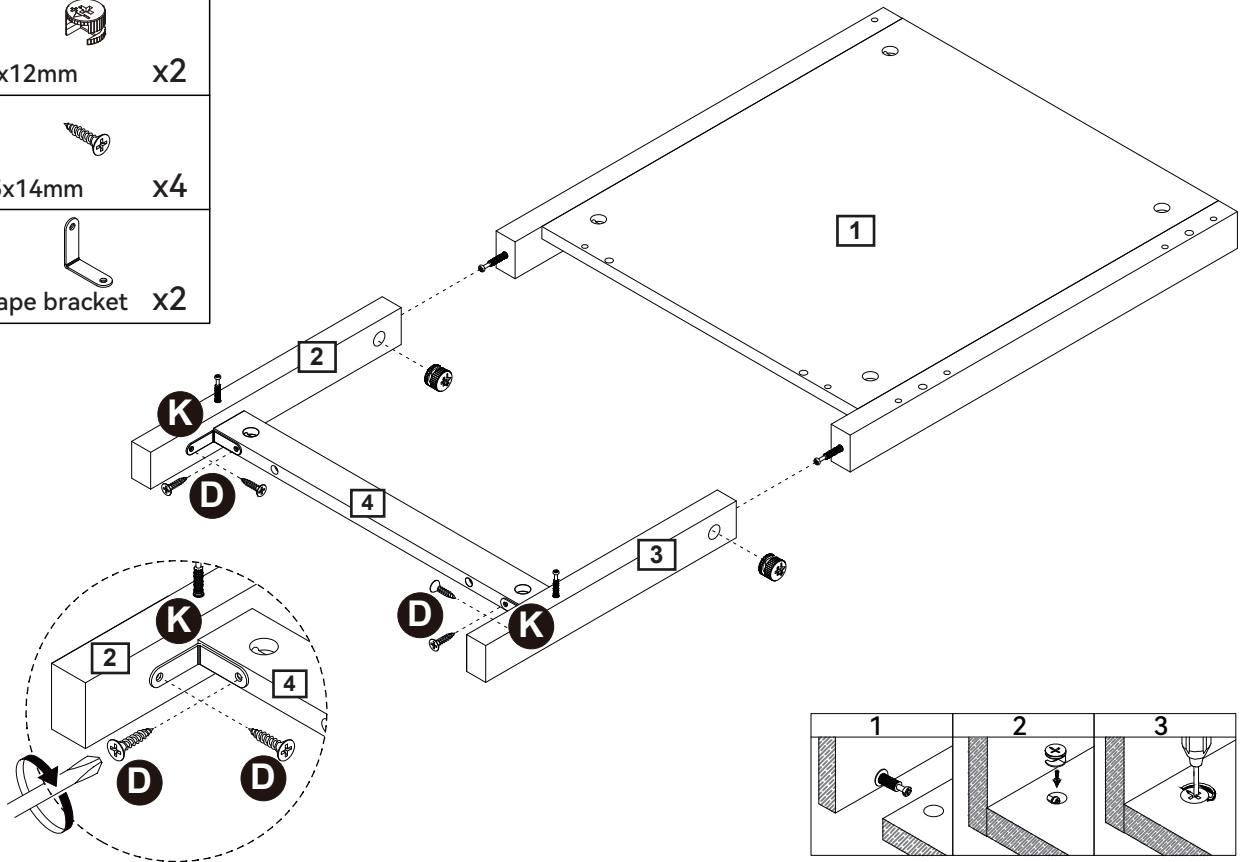
- B**   $\varnothing 15 \times 12 \text{mm}$  x2



Attach part (2, 3) to part (4), then insert and secure cam lock (B) to part (4) to lock it.


### Step 4

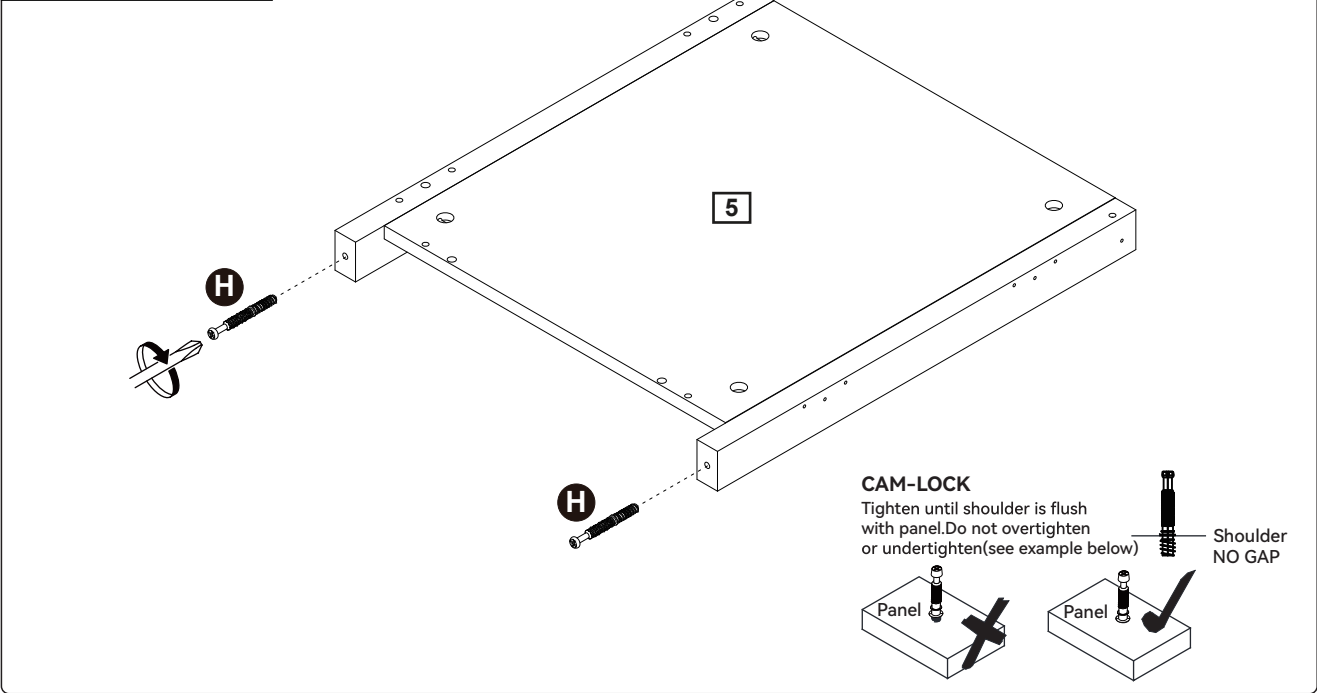
- B**   $\varnothing 15 \times 12 \text{mm}$  x2
- D**   $\varnothing 3.5 \times 14 \text{mm}$  x4
- K**  L shape bracket x2



Attach part (2, 3) to part (1), then insert and secure cam lock (B) to part (2, 3) to lock it. Use L shape bracket (K) and screw (D) to attach part (2, 3) to part (4).


# Step 5

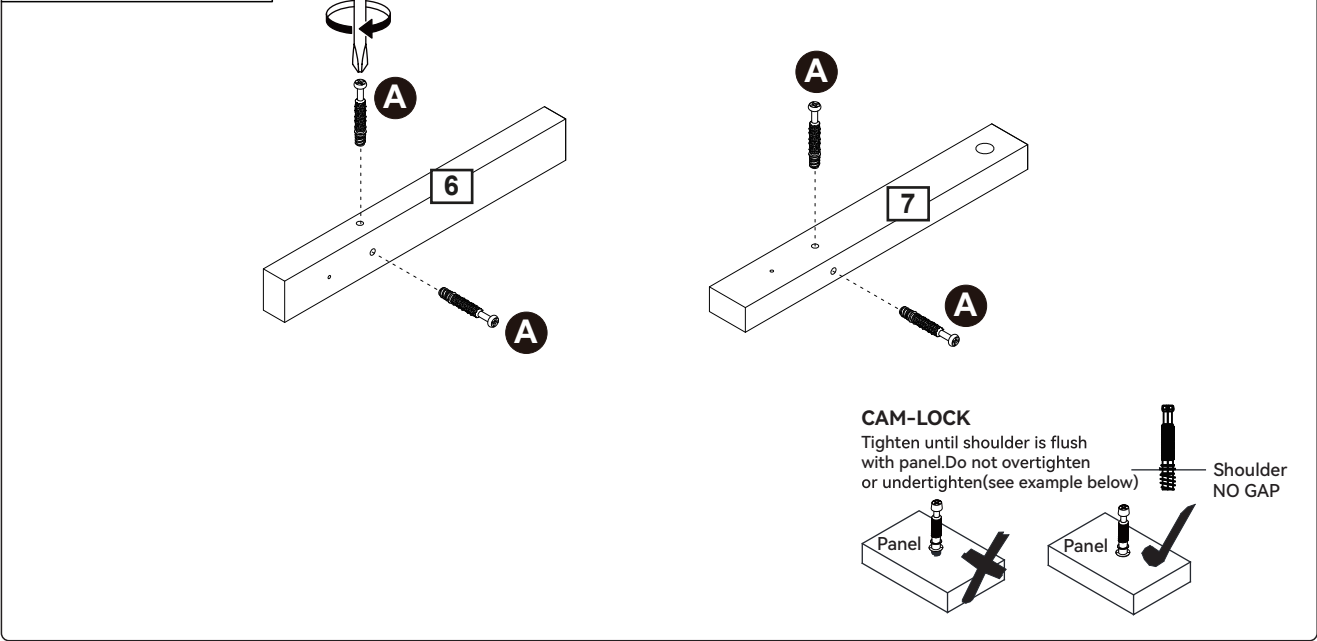
**H**   
Ø7x50mm x2



Attach cam bolt (H) to part (5).

# Step 6

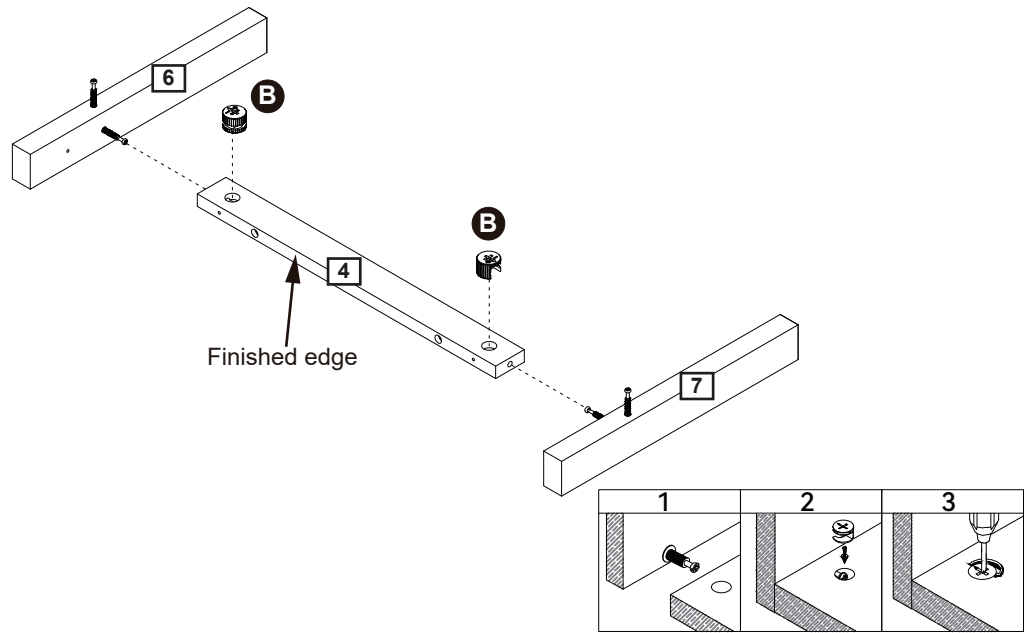
**A**   
Ø7x39mm x4



Attach cam bolt (A) to part (6, 7).

## Step 7

**B**   
 Ø15x12mm x2



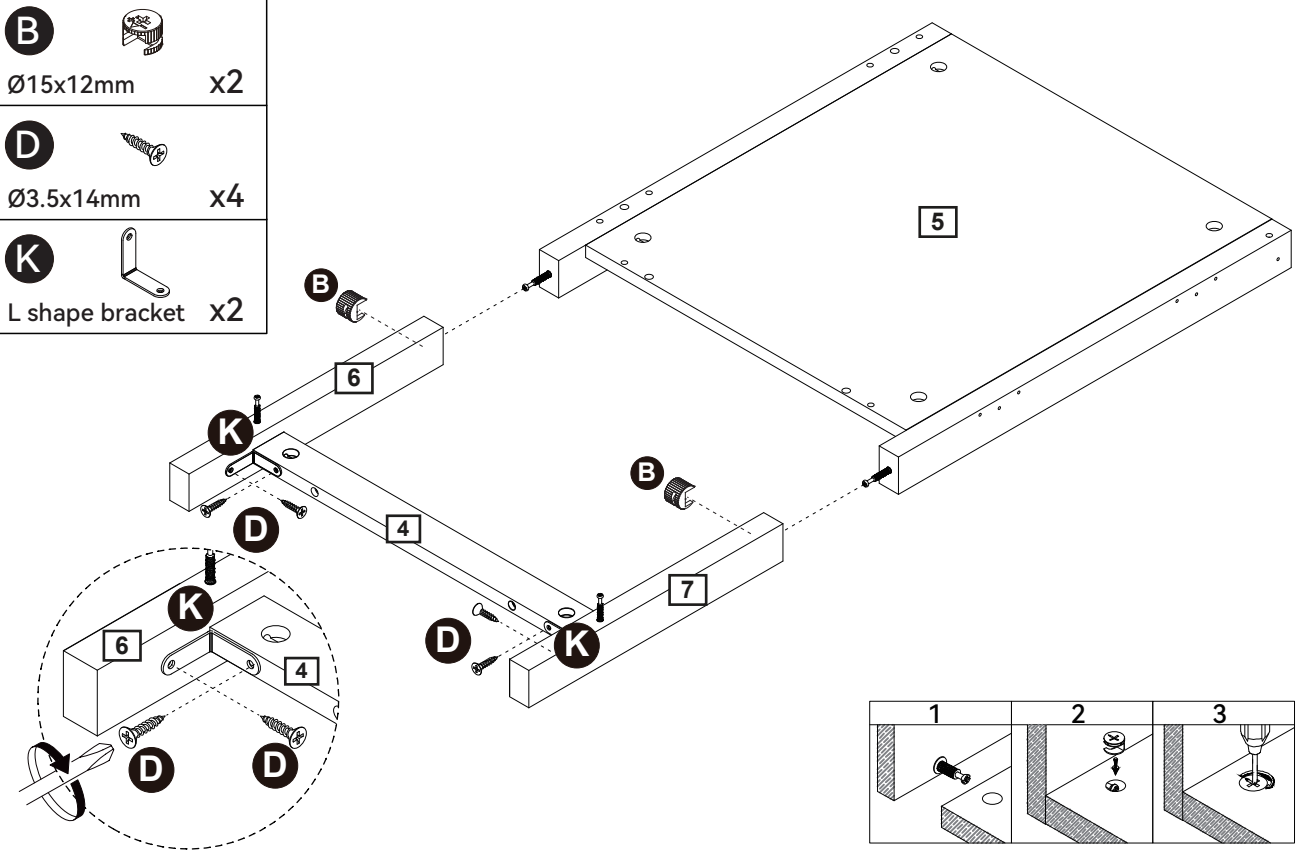
Attach part (6, 7) to part (4), then insert and secure cam lock (B) to part (4) to lock it.

## Step 8

**B**   
 Ø15x12mm x2


**D**   
 Ø3.5x14mm x4

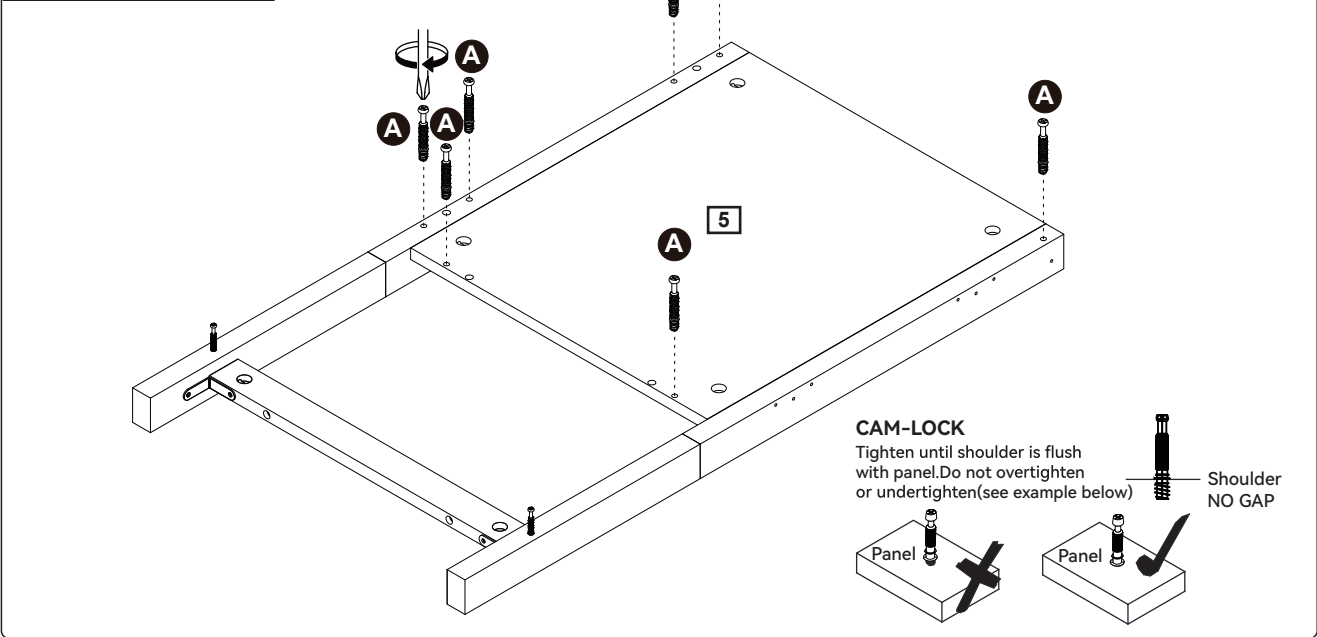
**K**   
 L shape bracket x2



Attach part (6, 7) to part (5), then insert and secure cam lock (B) to part (6, 7) to lock it. Use L shape bracket (K) and screw (D) to attach part (6, 7) to part (4).


# Step 9

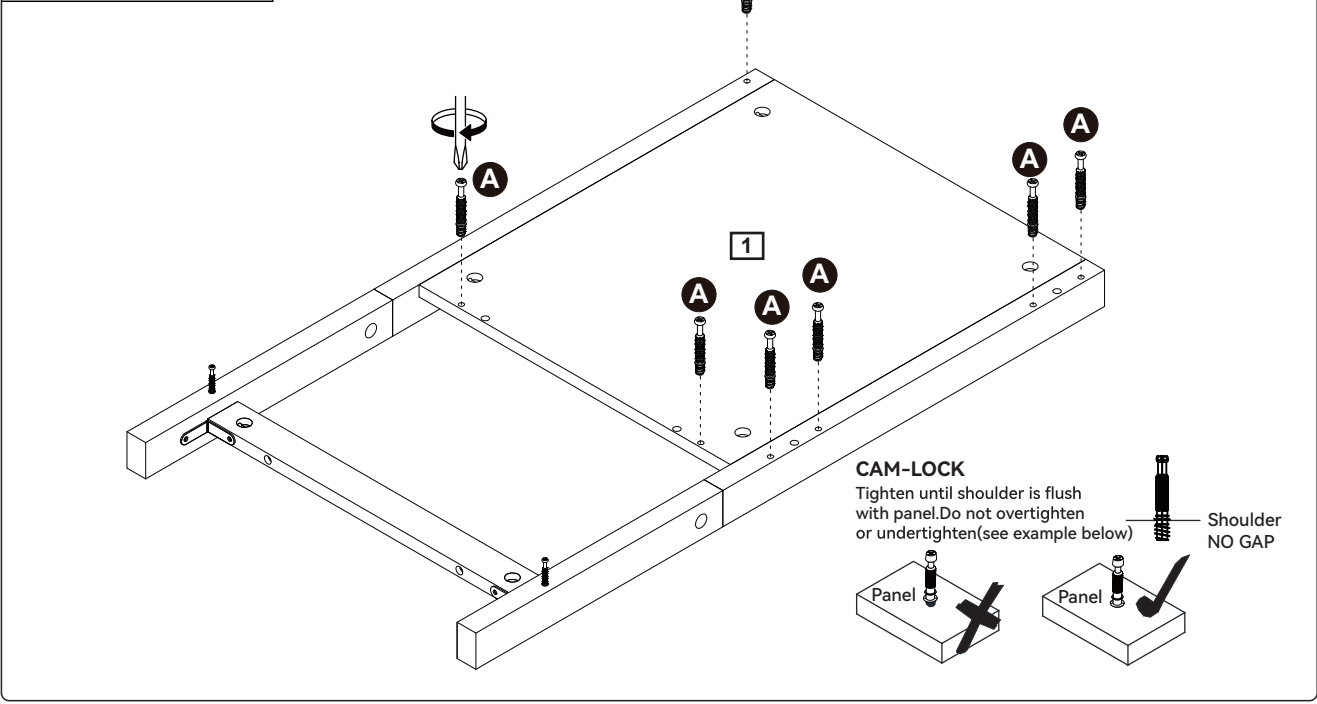
**A**   $\varnothing 7 \times 39 \text{mm}$  x7



Attach cam bolt (A) to part (5).


# Step 10

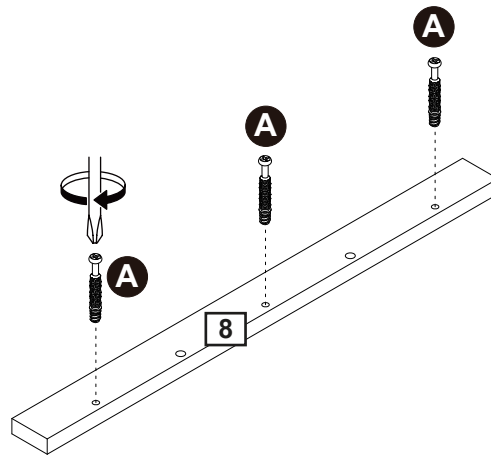
**A**   $\varnothing 7 \times 39 \text{mm}$  x7



Attach cam bolt (A) to part (1).

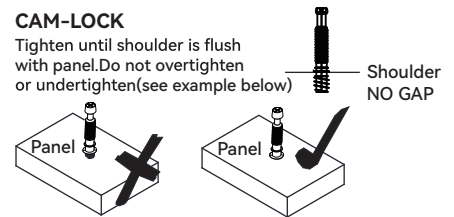
## Step 11

**A**   
 Ø7x39mm x3




### CAM-LOCK

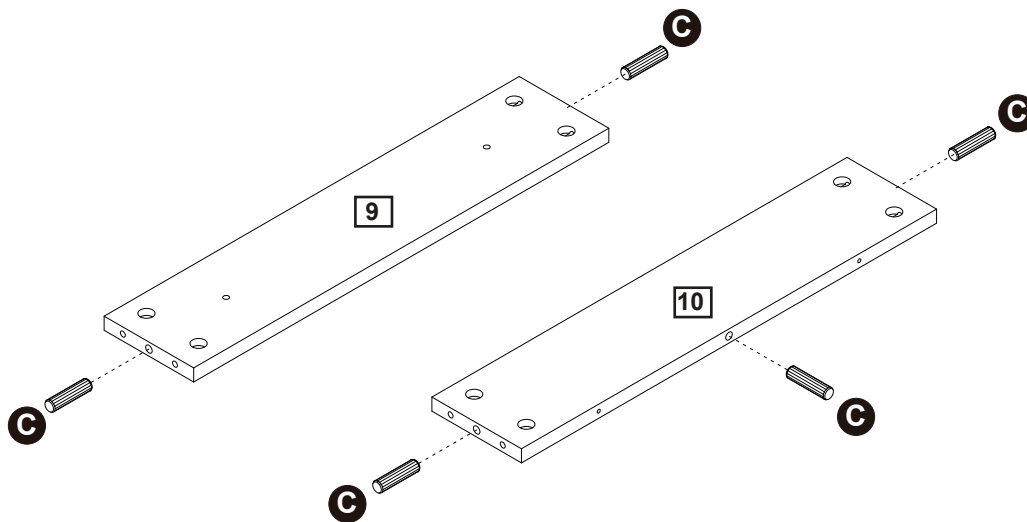
Tighten until shoulder is flush with panel. Do not overtighten or undertighten (see example below)



Attach cam bolt (A) to part (8).


## Step 12

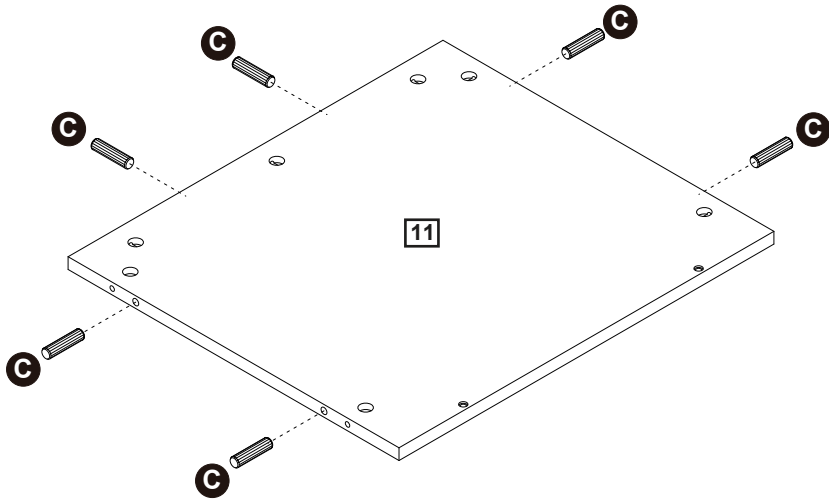
**C**   
 Ø8x30mm x5



Insert wooden dowel (C) into part (9, 10).

### Step 13

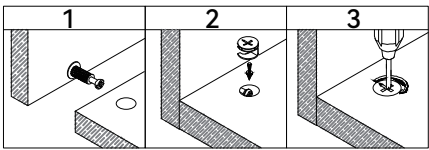
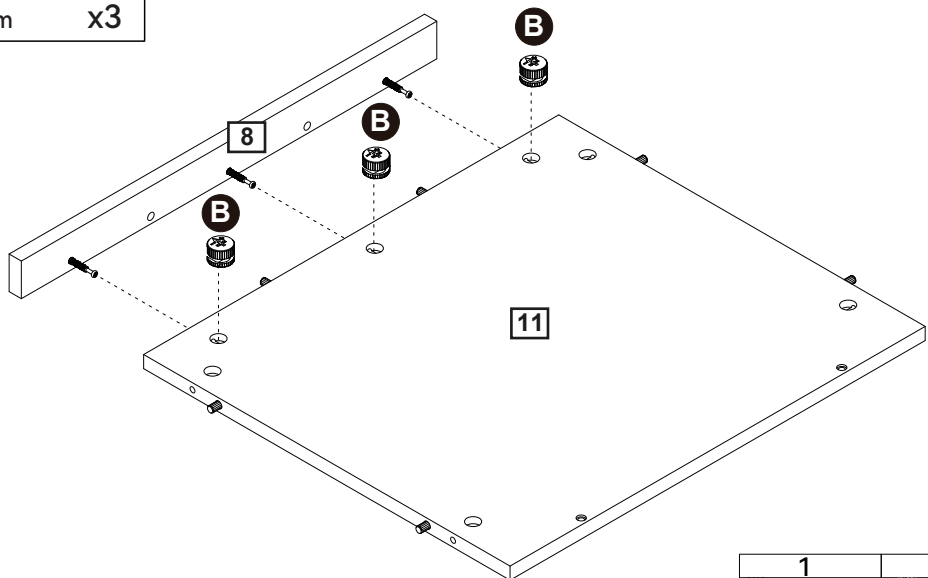
**C**   
Ø8x30mm x6



Insert wooden dowel (C) into part (11).

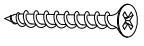
### Step 14

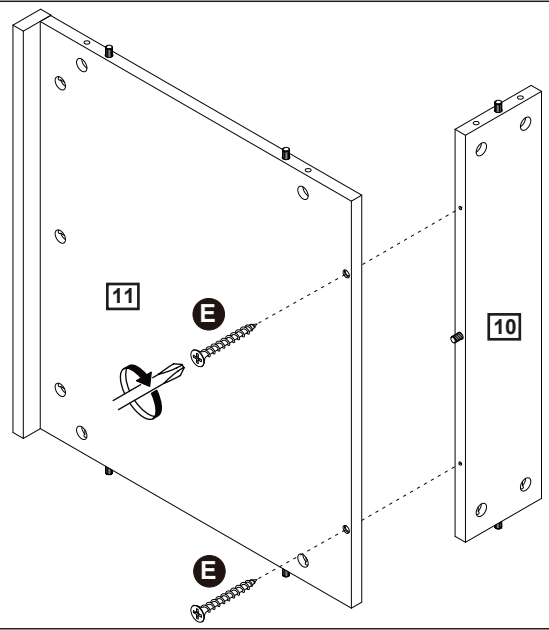
**B**   
Ø15x12mm x3



Attach part (8) to part (11), then insert and secure cam lock (B) to part (11) to lock it.

# Step 15

**E**   
 Ø5x40mm x2



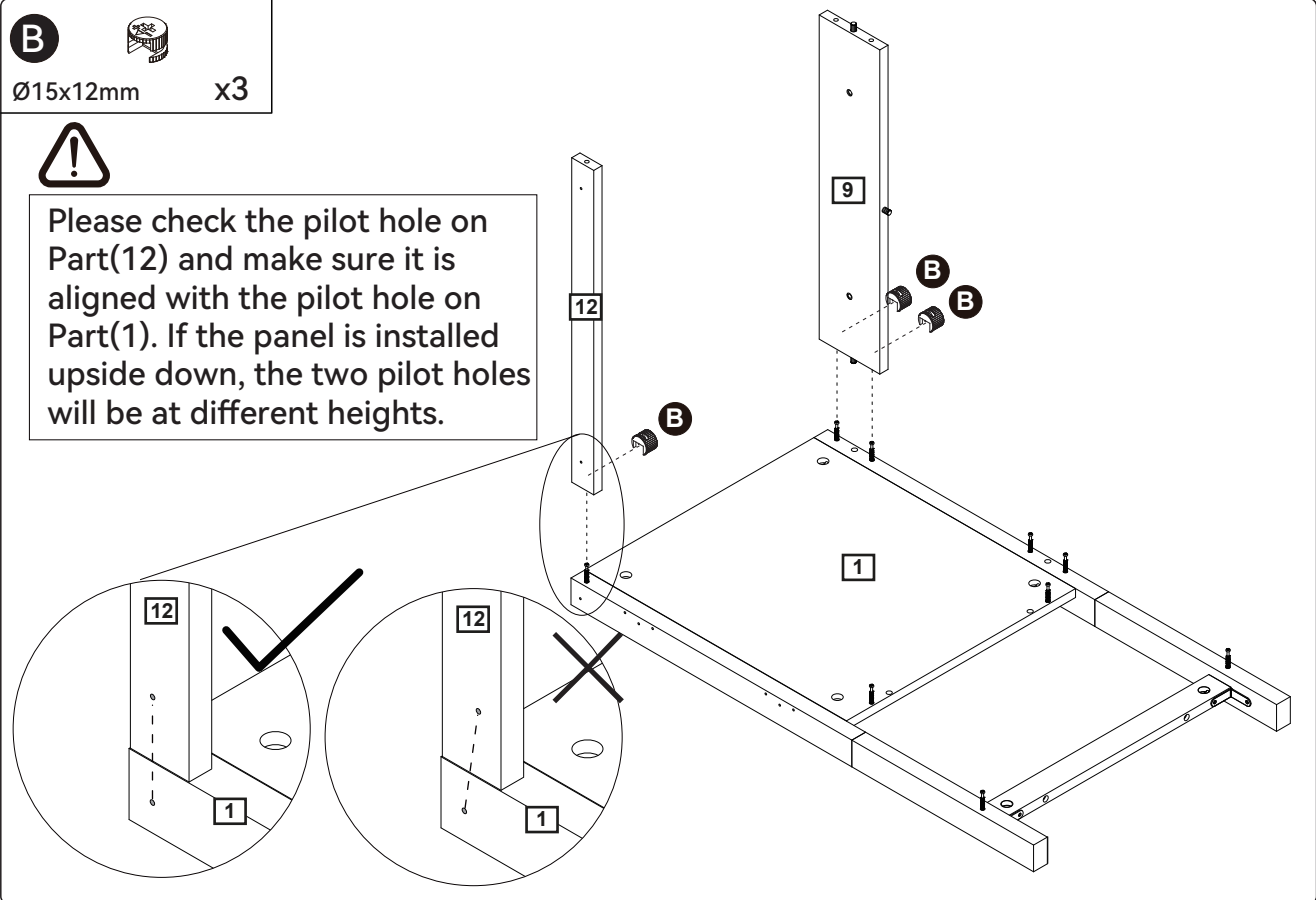
Attach part (11) to part (10) using screw (E).

# Step 16

**B**   
 Ø15x12mm x3




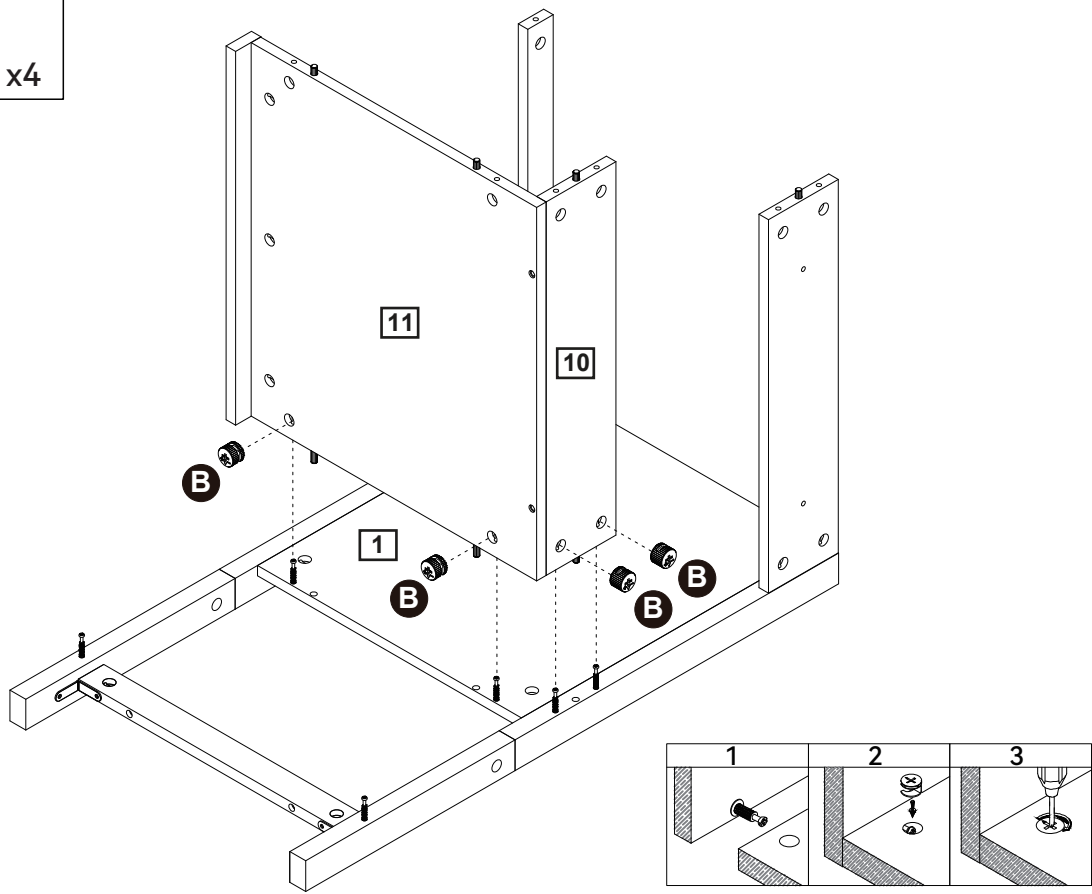
Please check the pilot hole on Part(12) and make sure it is aligned with the pilot hole on Part(1). If the panel is installed upside down, the two pilot holes will be at different heights.



Attach part (9, 12) to part (1), then insert and secure cam lock (B) to part (9, 12) to lock it.


# Step 17

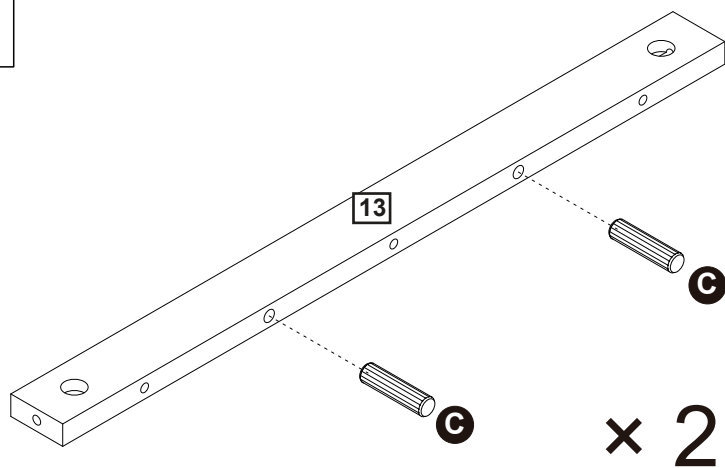
**B**   $\varnothing 15 \times 12 \text{mm}$  x4



Attach part (10, 11) to part (1), then insert and secure cam lock (B) to part (10, 11) to lock it.


# Step 18

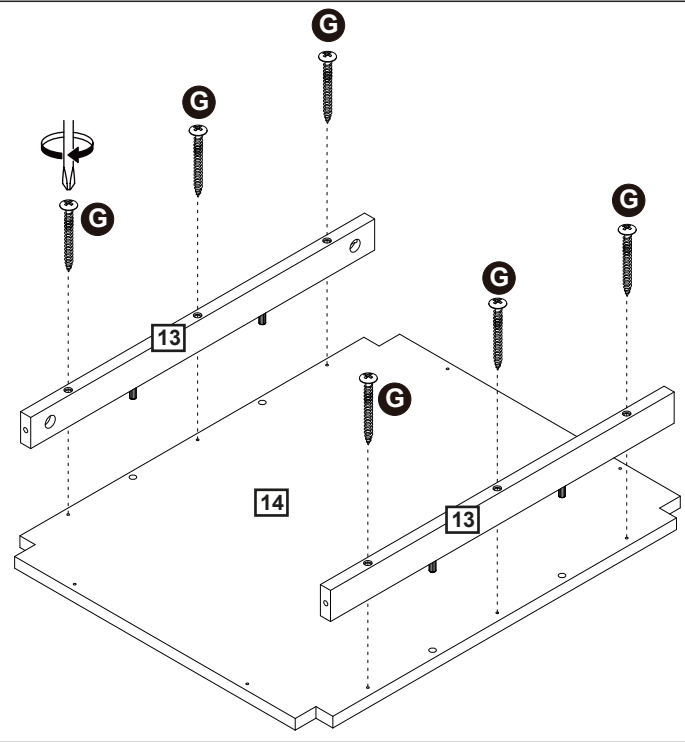
**C**   $\varnothing 8 \times 30 \text{mm}$  x4



Insert wooden dowel (C) into part (13).


## Step 19

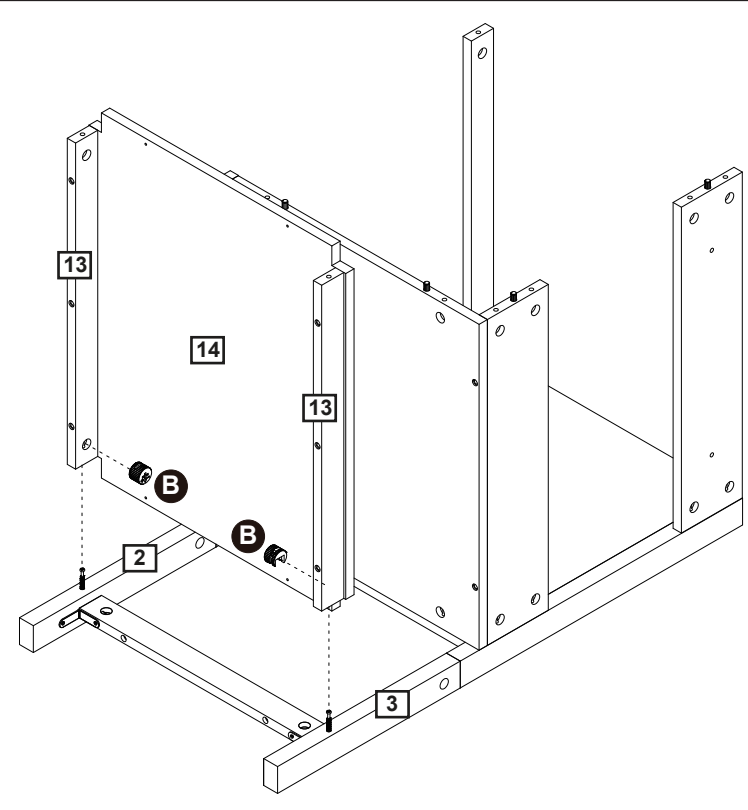
**G**   
 Ø5x50mm x6



Attach part (13) to part (14) using screw (G).

## Step 20

**B**   
 Ø15x12mm x2



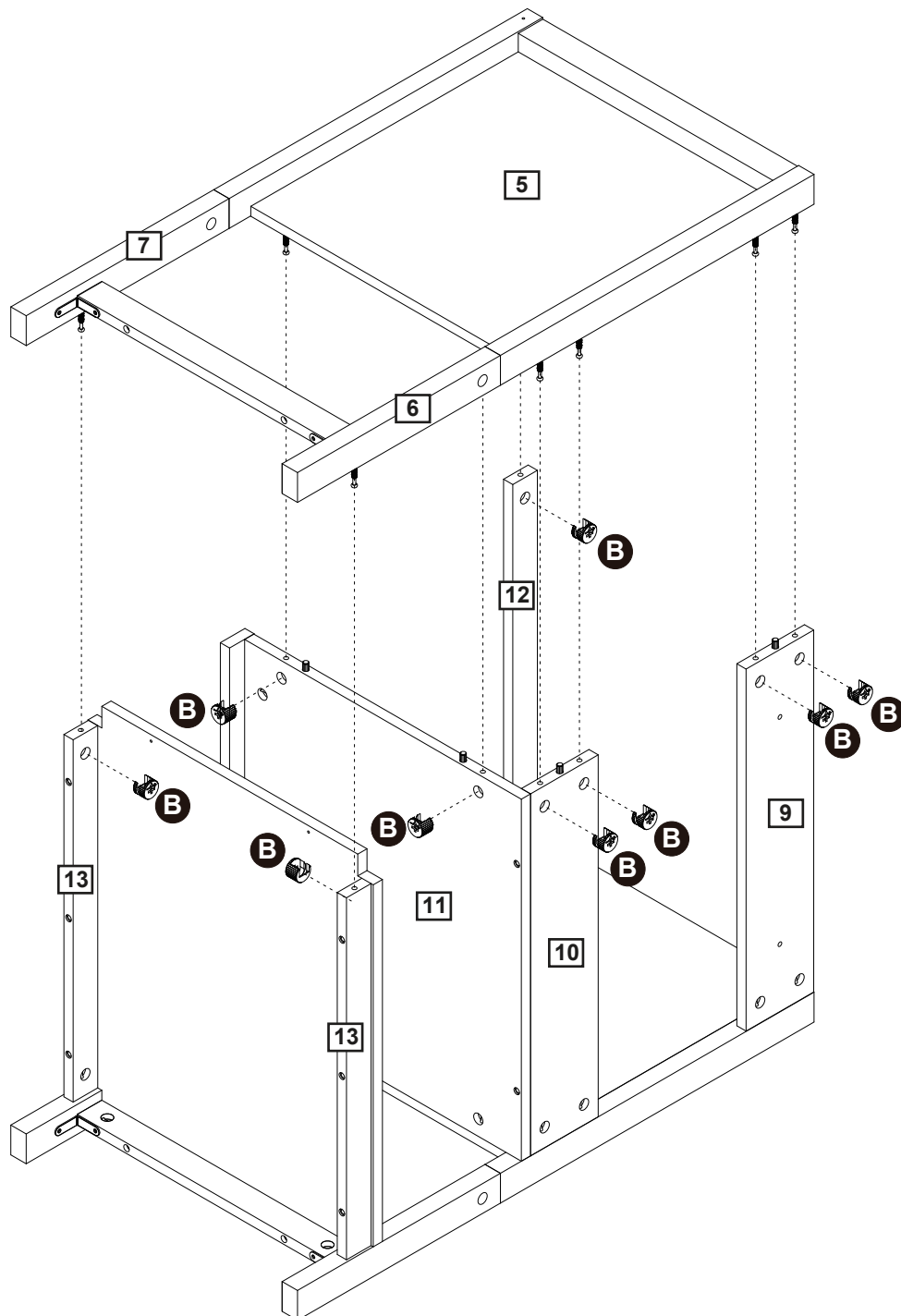
Attach part (13) to part (2, 3), then insert and secure cam lock (B) to part (13) to lock it.

## Step 21

**B**


Ø15x12mm

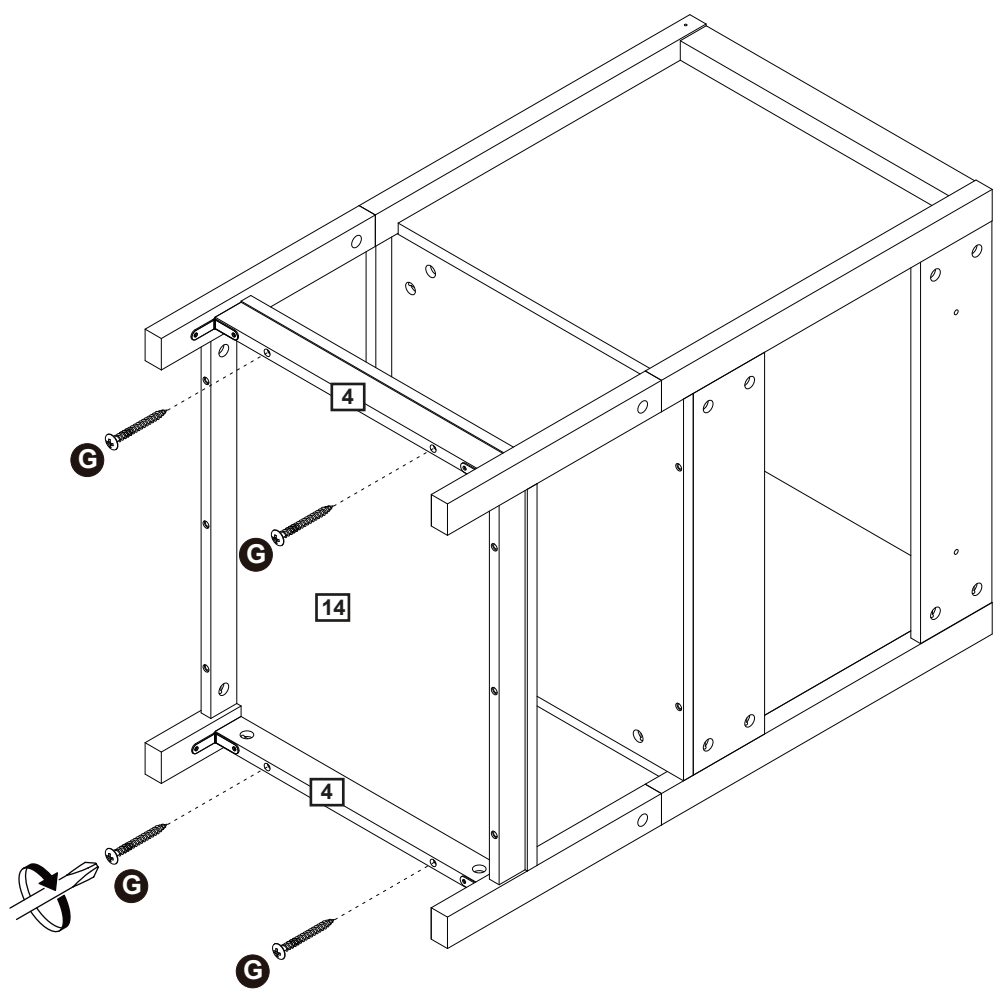
x9



Attach part (5, 6, 7) to part (9, 10, 11, 12, 13), then insert and secure cam lock (B) to part (9, 10, 11, 12, 13) to lock it.

# Step 22

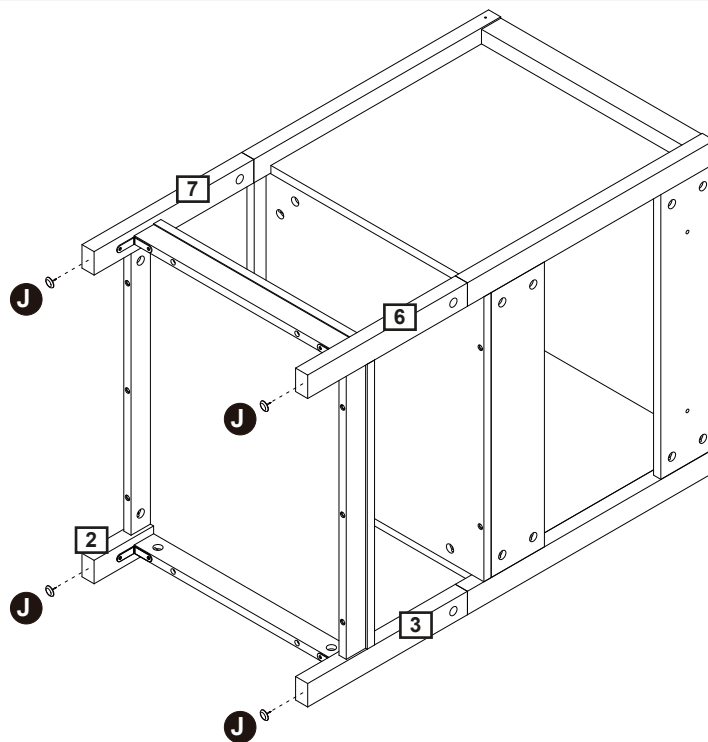
**G**   
 Ø5x50mm      x4



Secure part (4) to part (14) using screw (G).

## Step 23

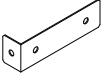
**J**   
Protective Foot x4

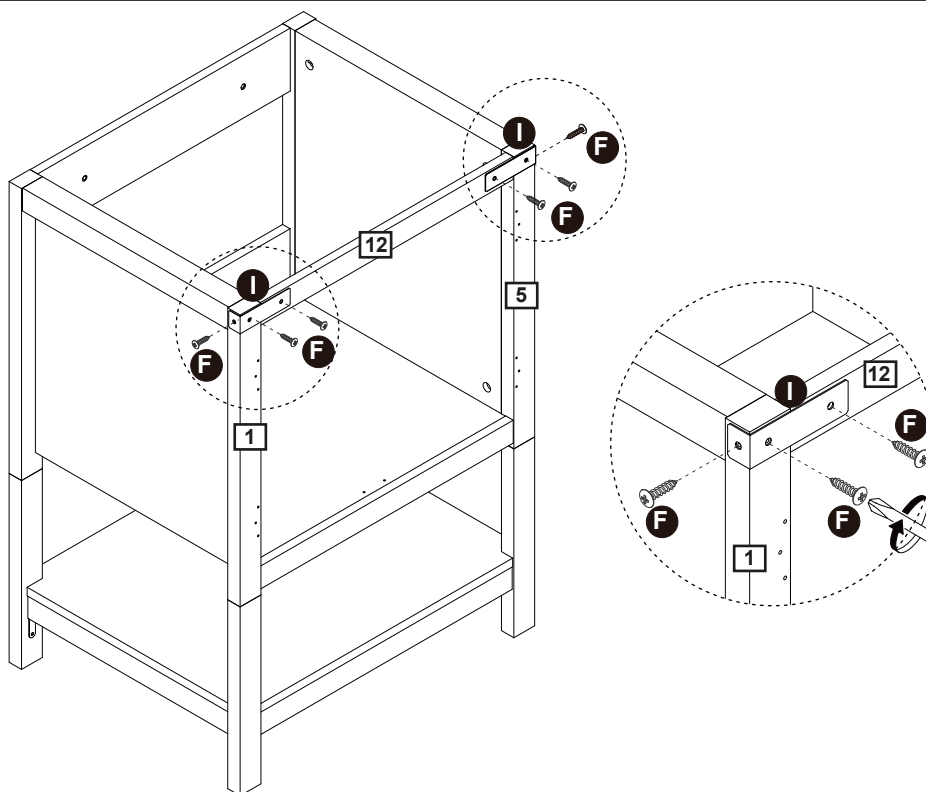


Insert protective foot (J) into part (2, 3, 6, 7).

## Step 24


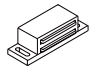
**F**   
Ø4x14mm x6

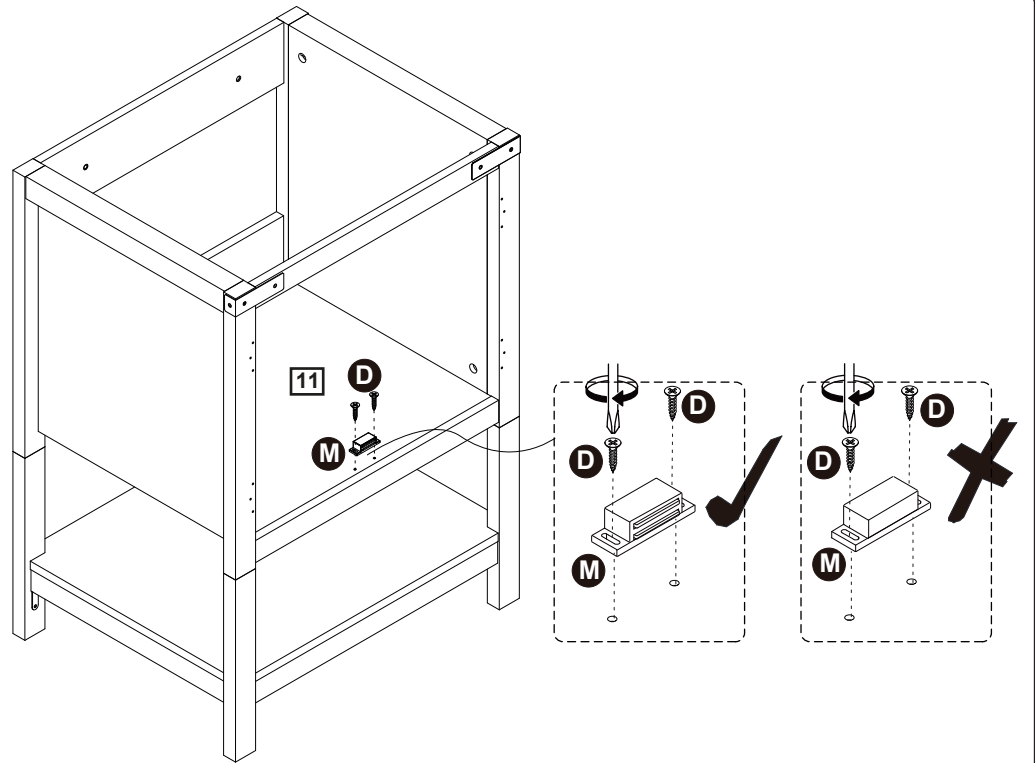
**I**   
Right angle bracket x2



Use right angle bracket (I) and screw (F) to secure part (1, 5) to part (12).



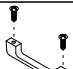
## Step 25

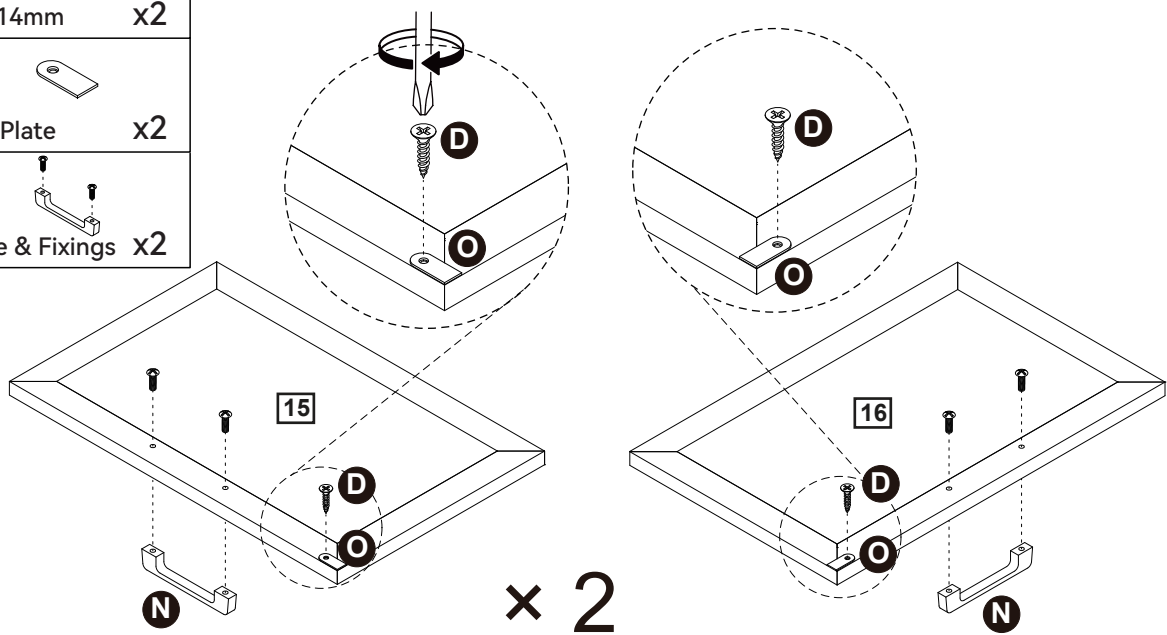
- D**   $\varnothing 3.5 \times 14 \text{mm}$  x2
- M**  Door Stopper x1



Attach door stopper (M) to part (11) using screw (D).


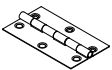
## Step 26

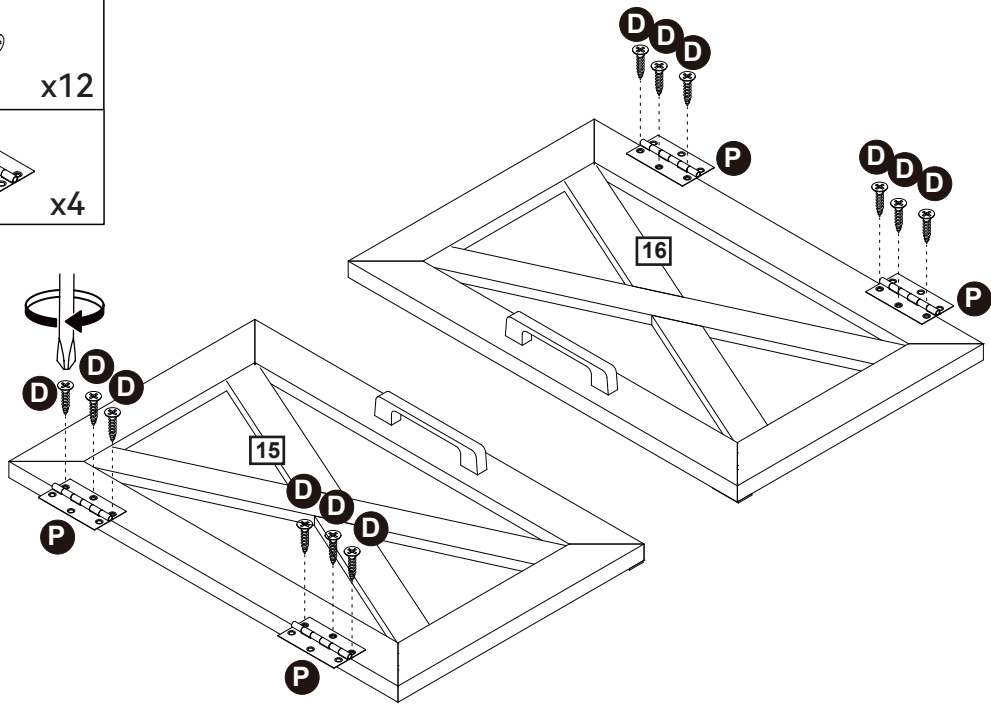
- D**   $\varnothing 3.5 \times 14 \text{mm}$  x2
- O**  Metal Plate x2
- N**  Handle & Fixings x2



Use screw (D) to secure metal (O) to door (15, 16) with a screwdriver.  
Use screw (N) to secure handle (N) to door (15, 16) with a screwdriver.


### Step 27

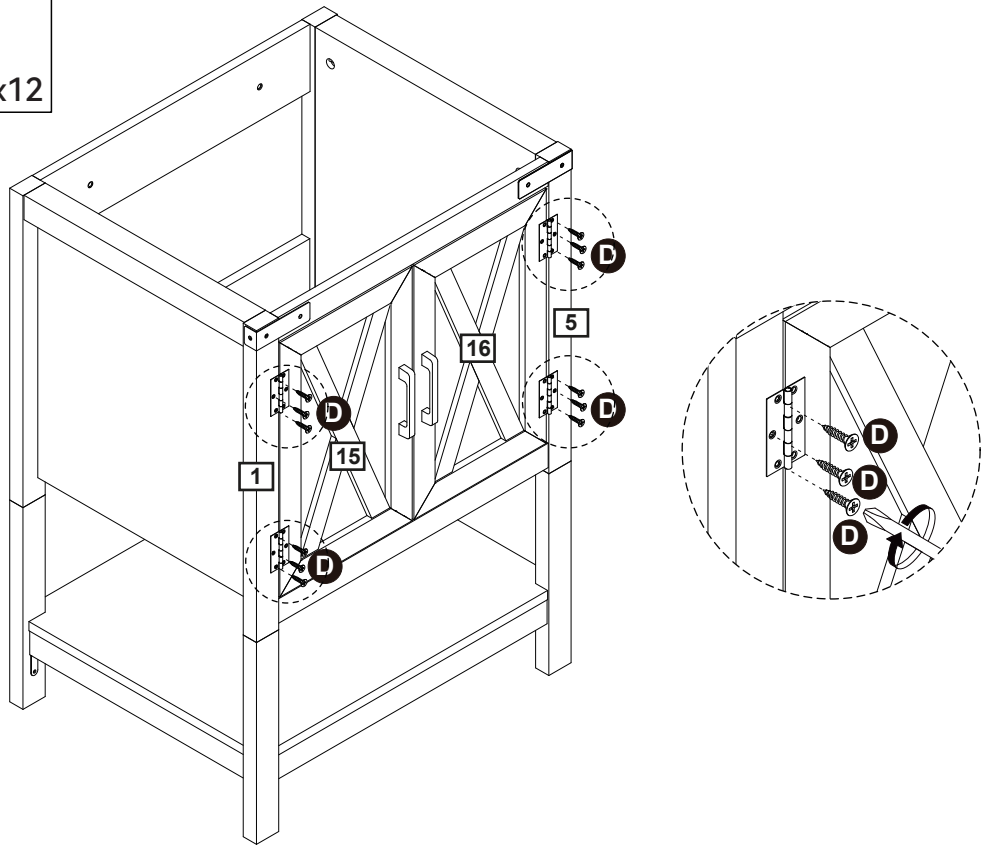
- D**  Ø3.5x14mm x12
- P**  Hinge x4



Use screw (D) to secure hinge (P) to door (15, 16) with a screwdriver.

### Step 28

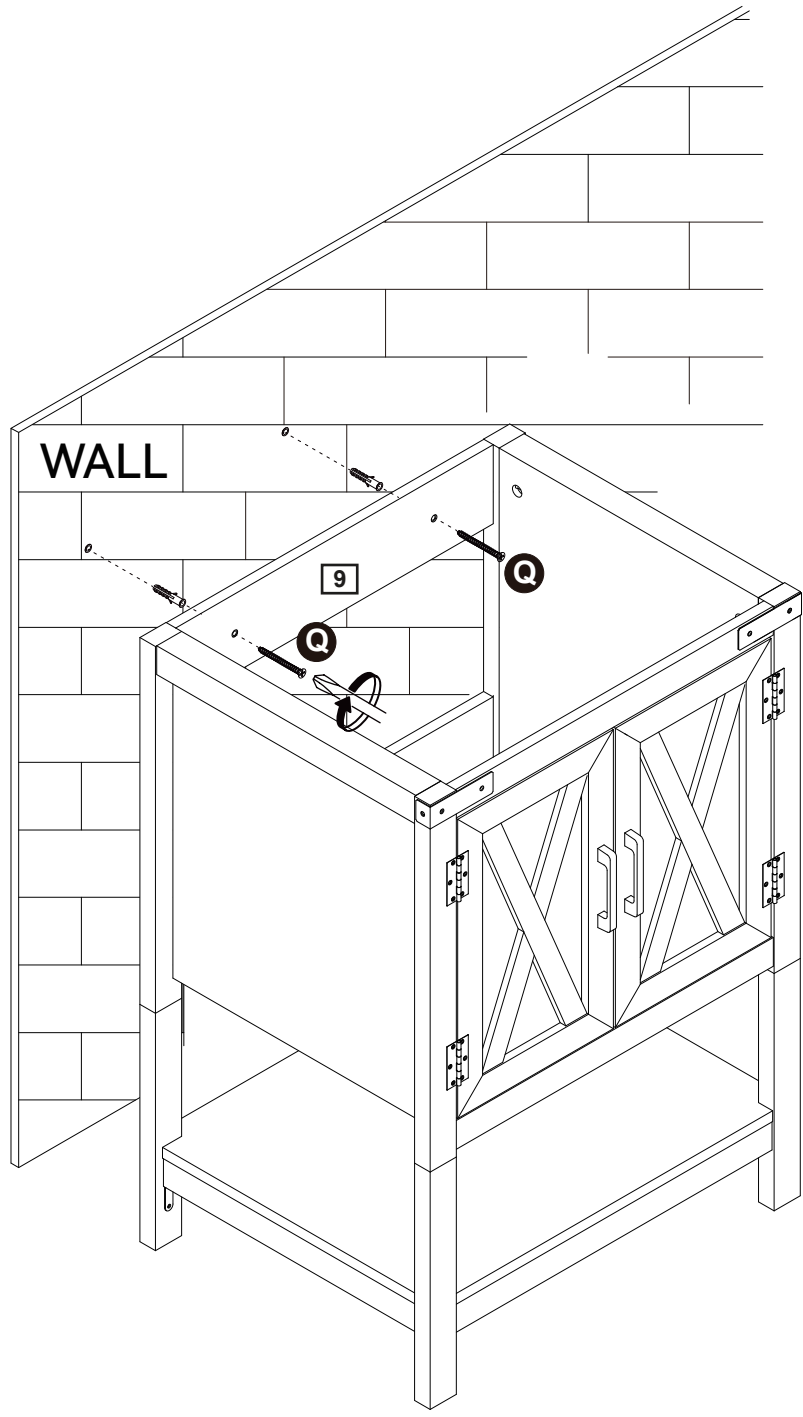
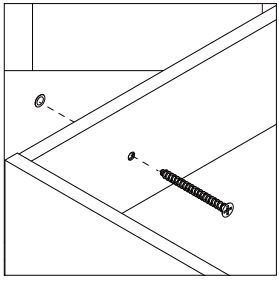
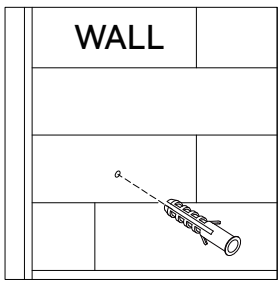
- D**  Ø3.5x14mm x12



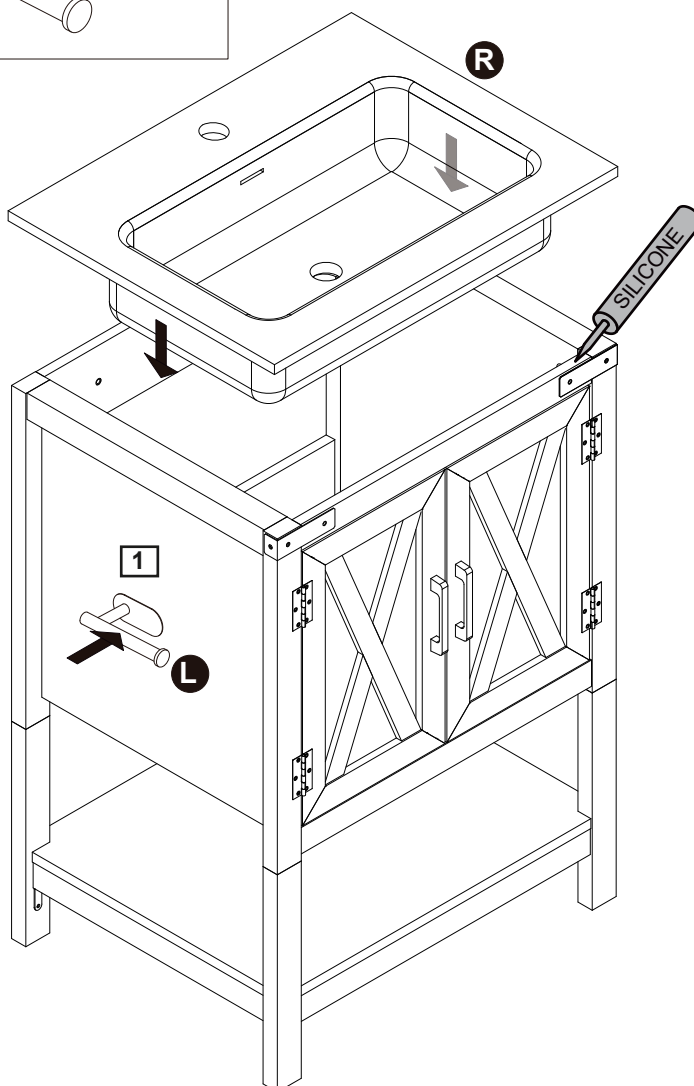
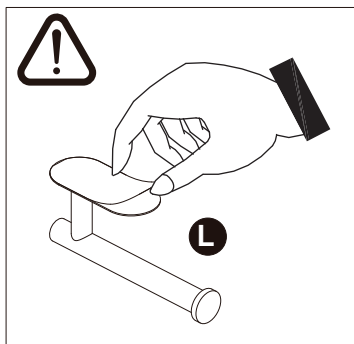
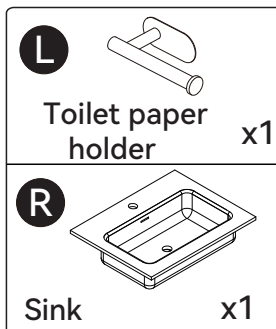
Use screw (D) to secure hinge (P) to part (1, 5) with a screwdriver.

# Step 29

**Q**  
Wall Fixing Pack x2



## Step 30



Apply a thin layer of silicone sealant around the top of the vanity, and then carefully secure the sink (R) in place.  
Attach toilet paper holder (L) to part (1).  
Remove excess silicone sealant with a damp rag.