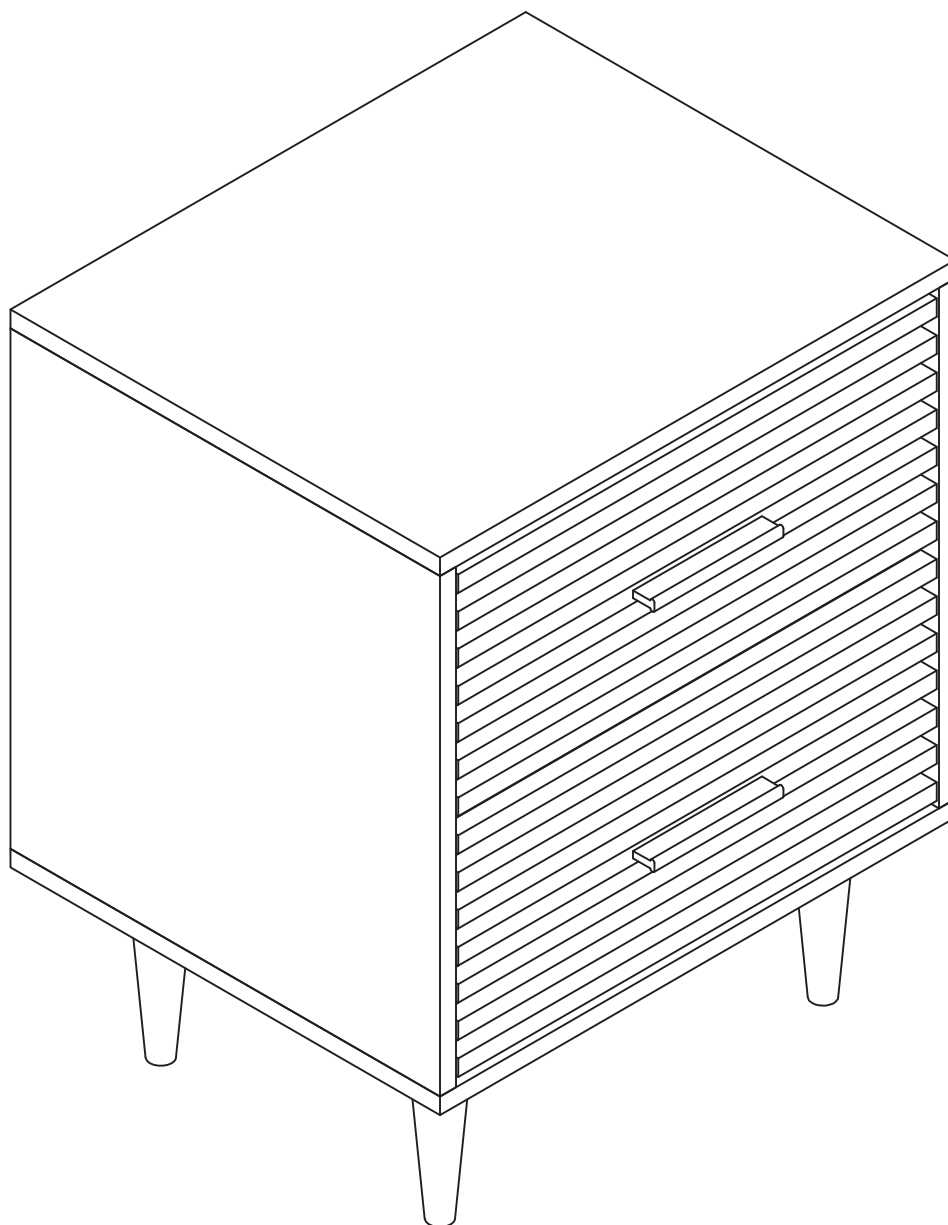


Nightstand

Assembly Instructions - Please keep for future reference



Important - Please read these instructions fully before starting assembly

Safety and Care Advice

Important - Please read these instructions fully before starting assembly

- Check you have all the components and tools listed on the following pages.
- Remove all fittings from the plastic bags and separate them into their groups.
- Keep children and animals away from the work area, small parts could choke if swallowed.
- Make sure you have enough space to layout the parts before starting.
- During assembly do not stand or put weight on the product, this could cause damage.
- Assemble the item as close to its final position (in the same room) as possible.
- Assemble on a soft level surface to avoid damaging the unit or your floor.
- Parts of the assembly will be easier with 2 people.
- To reduce the likelihood of damaging your product please ensure that your power drill is set on a low torque setting.

Care and maintenance

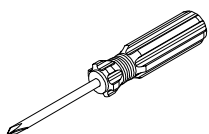
- Only clean using a damp cloth and mild detergent, do not use bleach or abrasive cleaners.
- From time to time check that there are no loose screws on this unit.
- This product should not be discarded with household waste. Take to your local authority waste disposal centre.

Handy Hints

- Assemble all parts and bolts loosely during assembly, only once the product is complete should you fully tighten the bolts.
- Regularly check and ensure that all bolts and fittings are tightened properly.

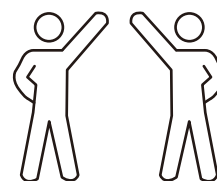
Tools required

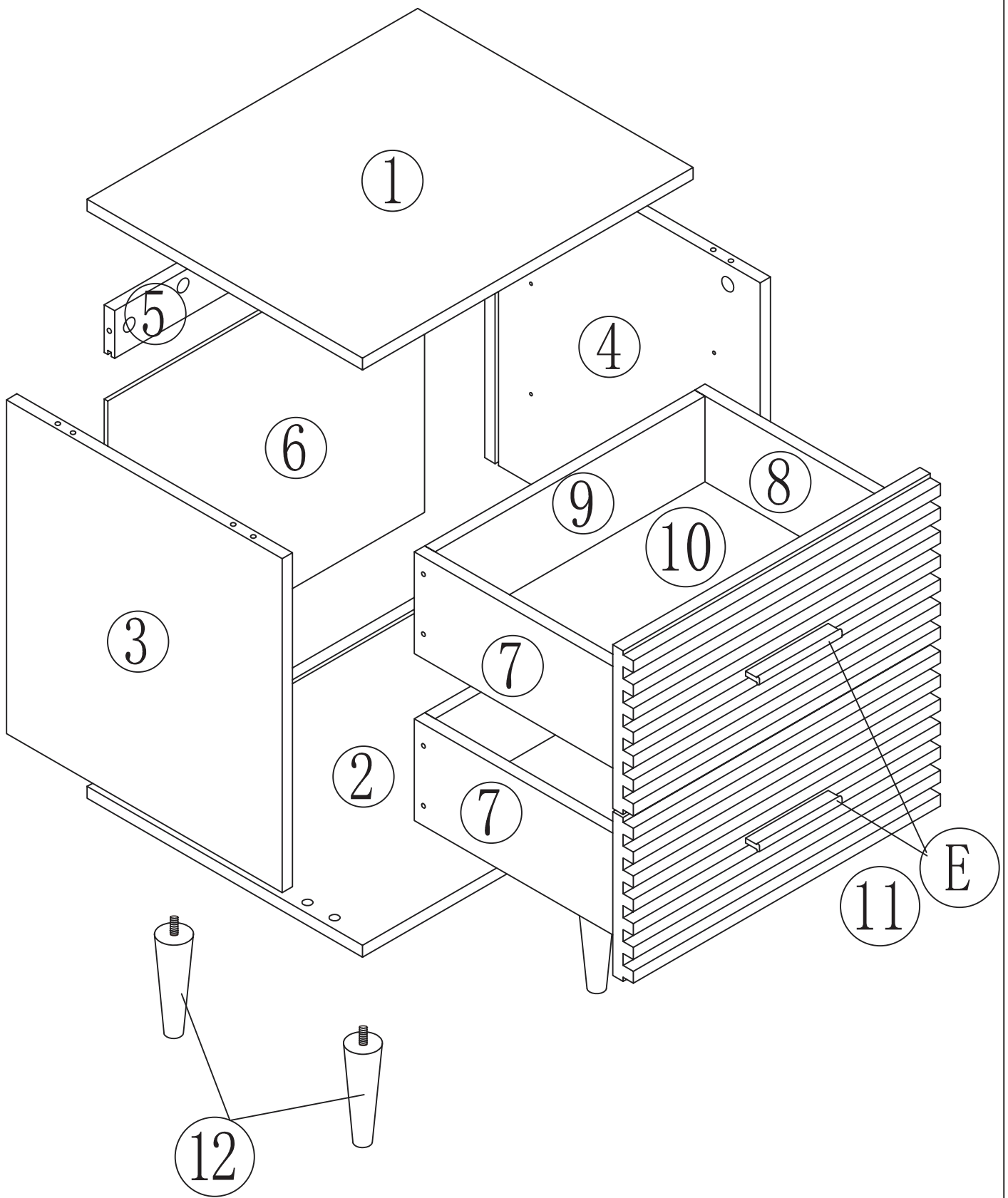
- Phillips screwdriver

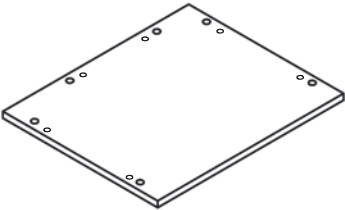
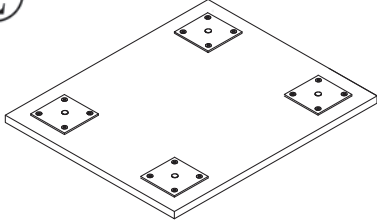
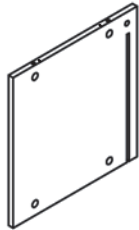
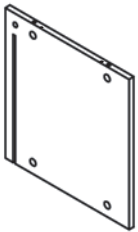
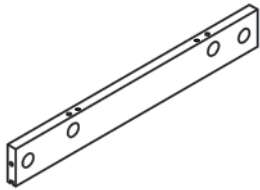
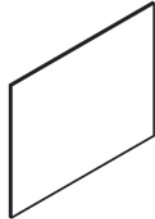
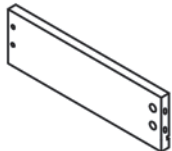
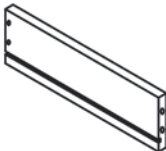
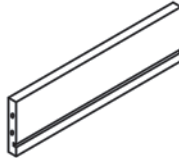
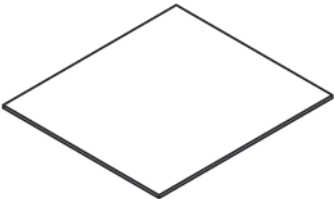
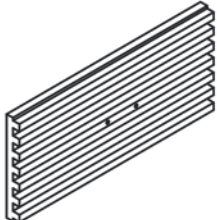






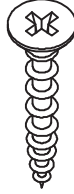
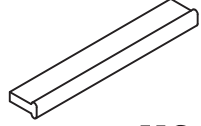





Tips for installation

- Two people install together

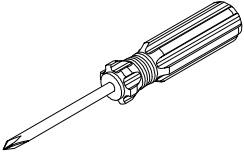




| | | |
|---|---|---|
| ①  X1 | ②  X1 | ③  X1 |
| ④  X1 | ⑤  X1 | ⑥  X1 |
| ⑦  X2 | ⑧  X2 | ⑨  X2 |
| ⑩  X2 | ⑪  X2 | ⑫  X4 |

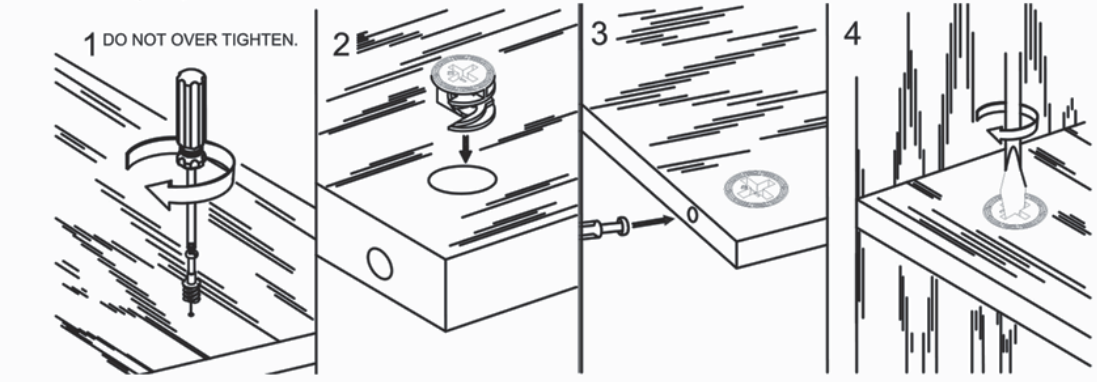
| | | | | | |
|---|---|---|---|--|--|
| A  X20 | B  X12 | C  M3*14 X20 | D  ∅ 3.5*35 X8 | E  X2 | F  X4 |
| G  X4 | H  X8 | I  X10 | J  X20 | CL1 DL1 X2 | CR1 DR1 X2 |

①



X1

This illustration shows how the cam fastening system works.



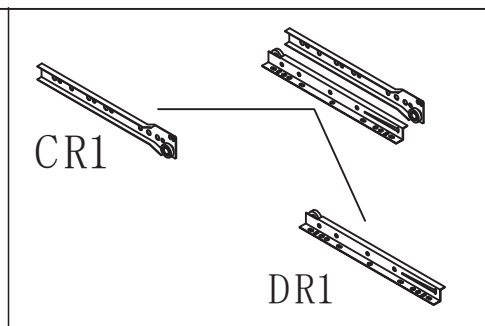
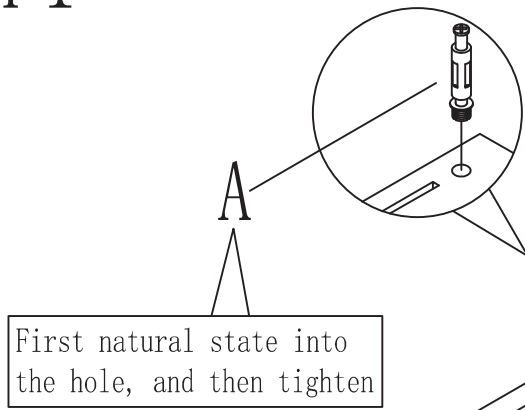
1 DO NOT OVER TIGHTEN.

2

3

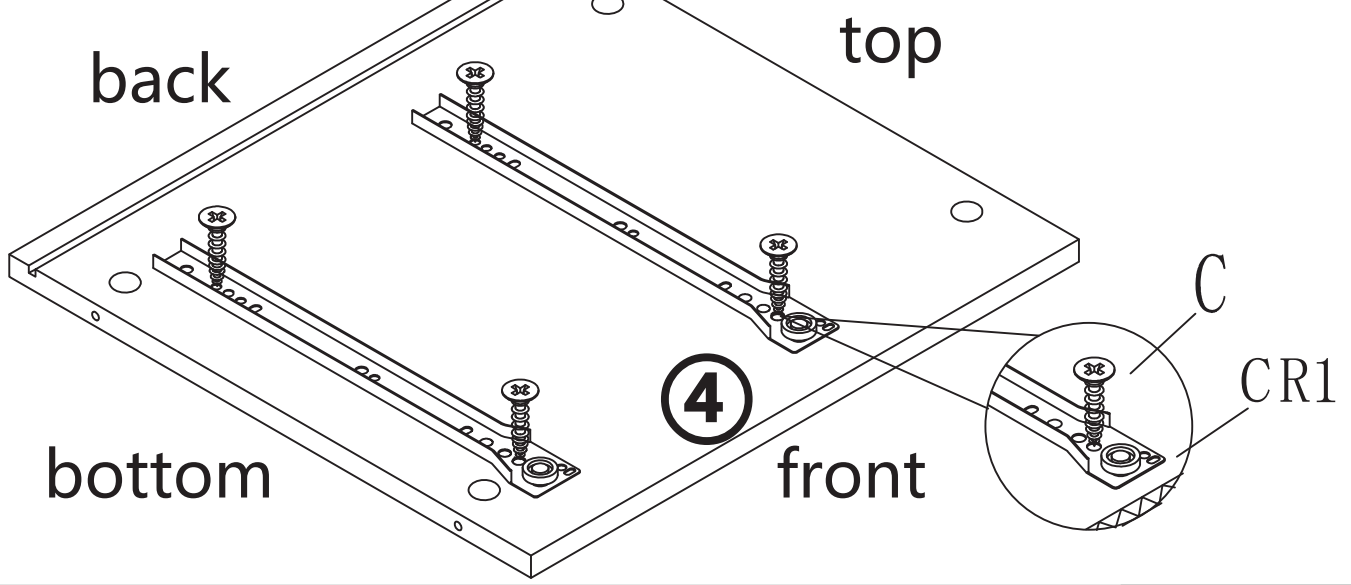
4

STEP 1

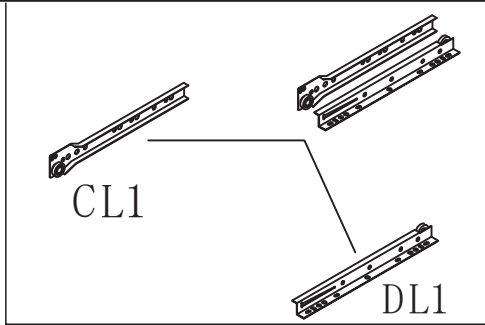
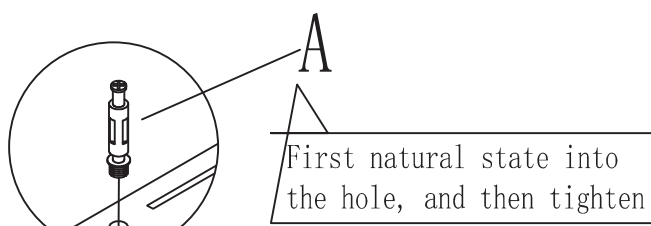


- A: X1
- C: X4
- CR1: X2

First natural state into the hole, and then tighten

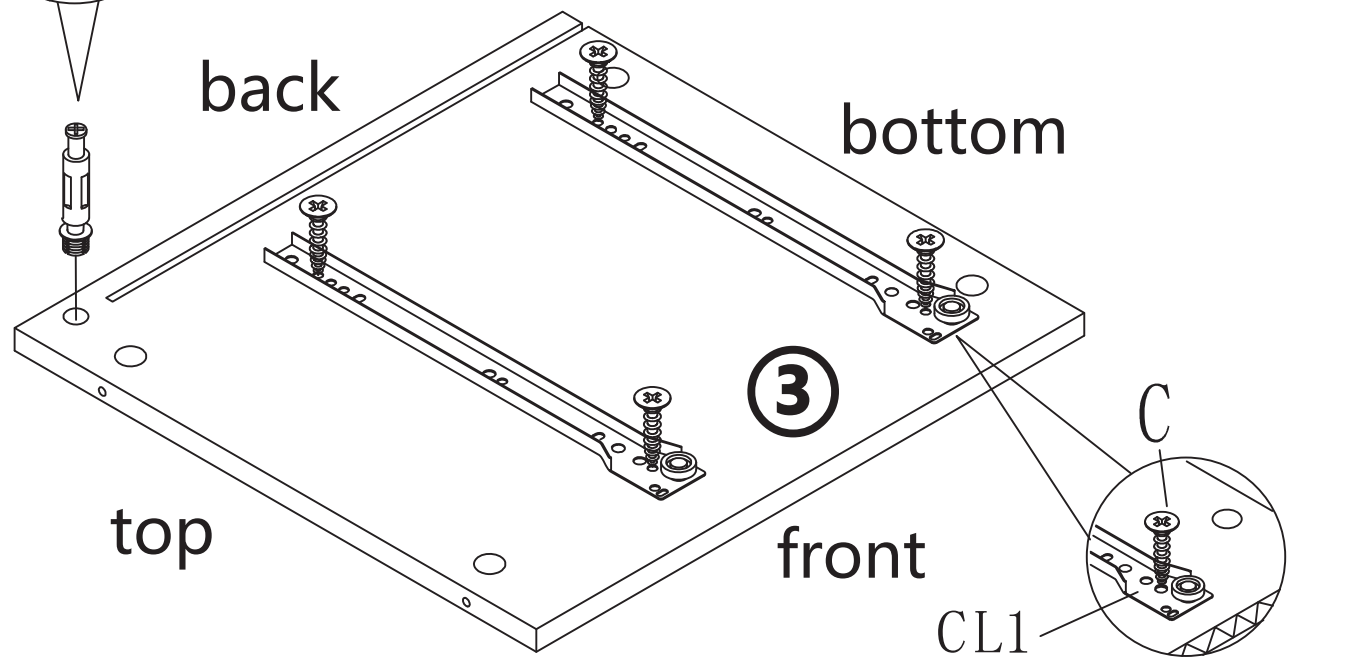


STEP 2



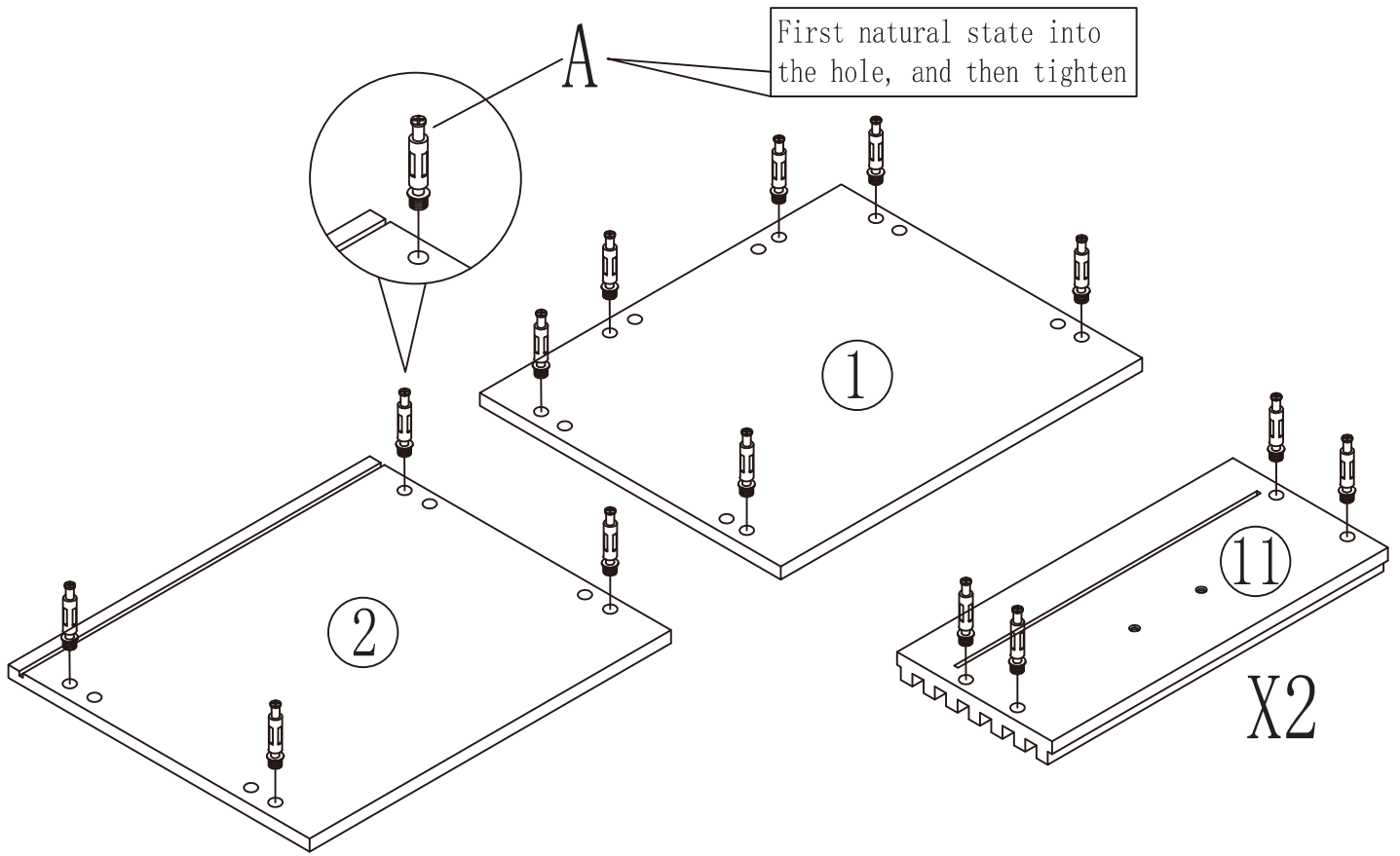
- A: X1
- C: X4
- CL1: X2

First natural state into the hole, and then tighten



STEP3

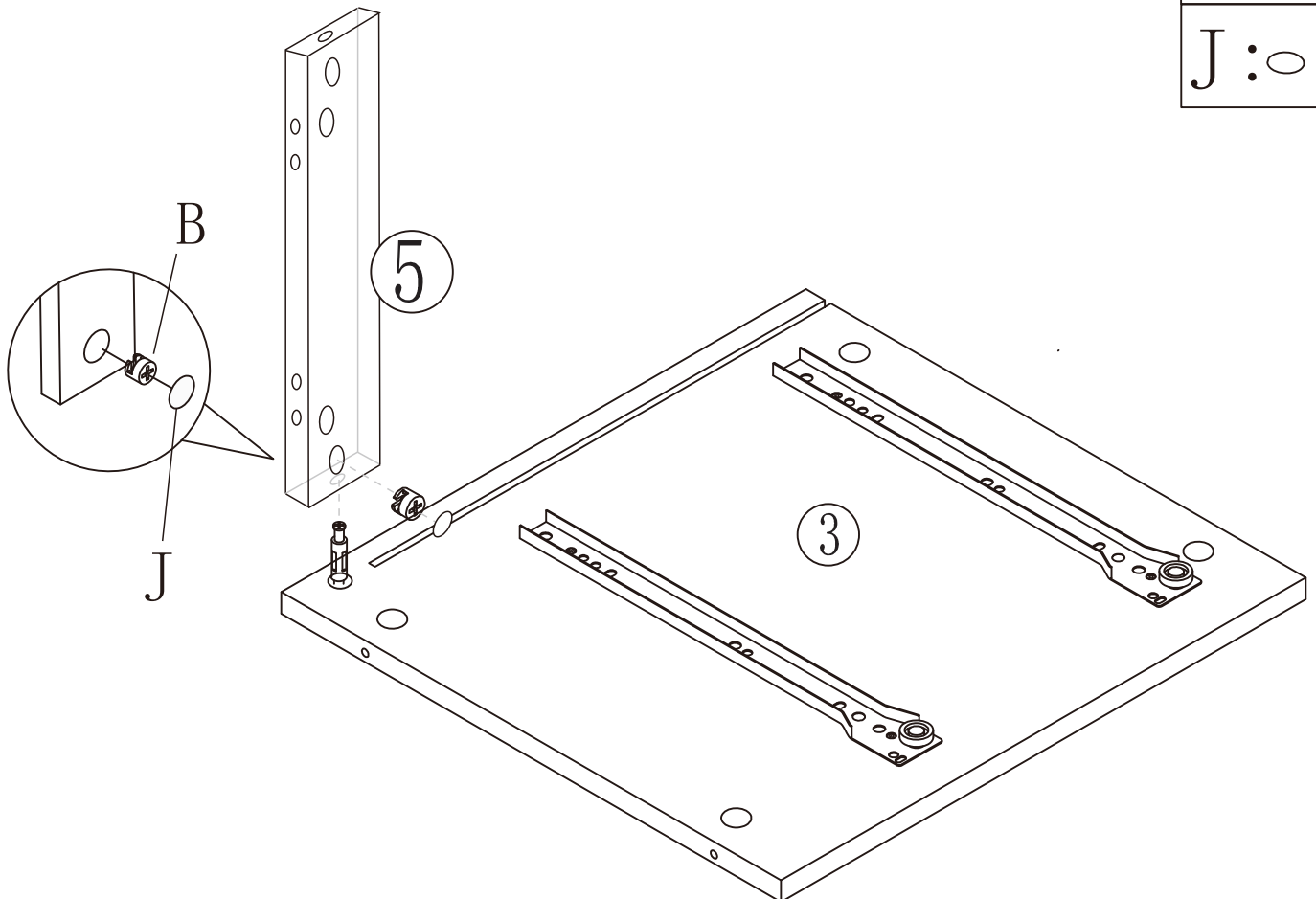
A:  X18



STEP4

B:  X1

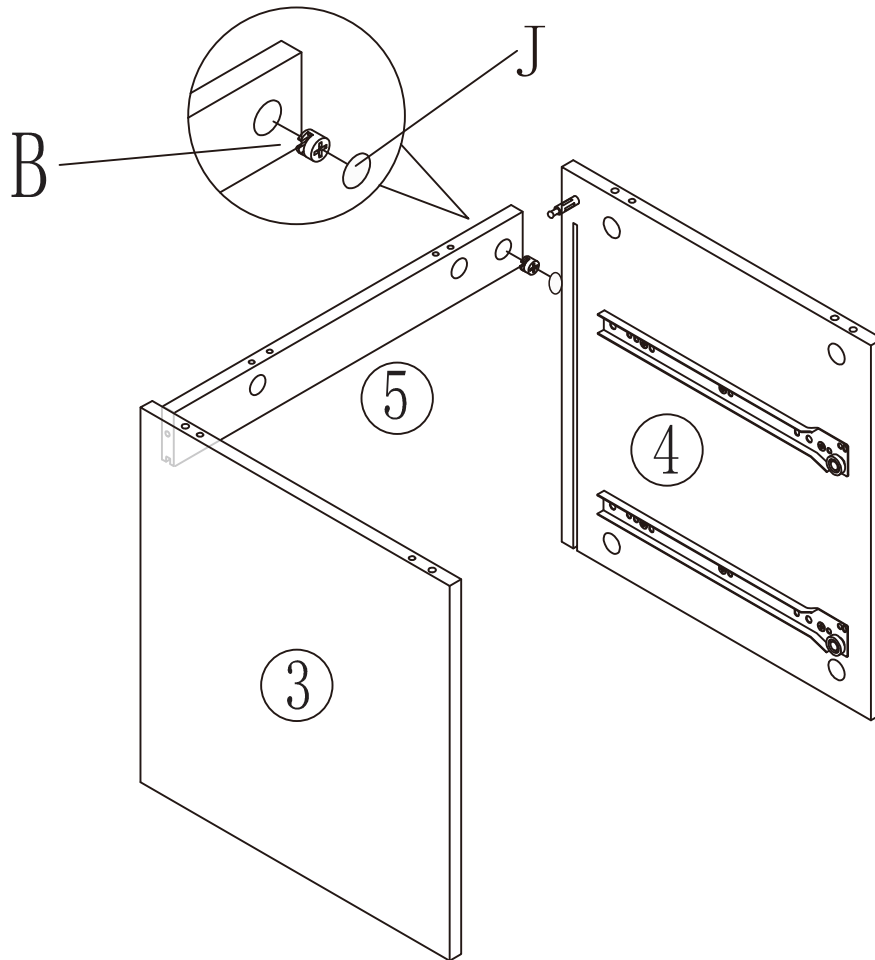
J:  X1




STEP5

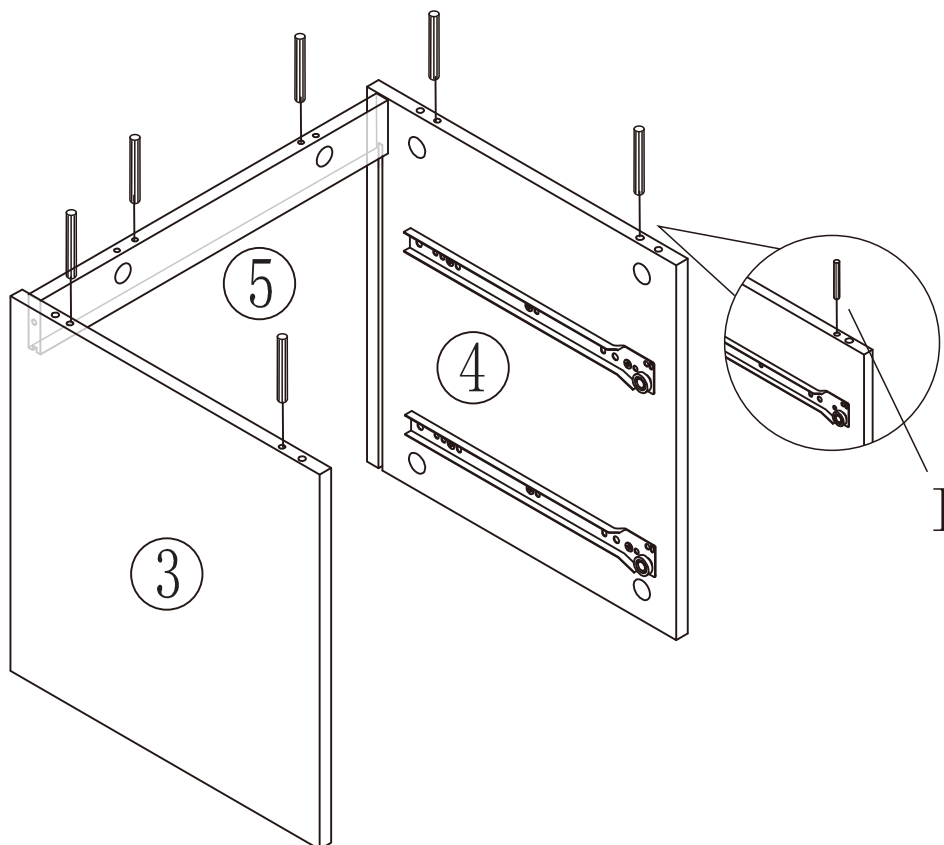
B:  X1

J:  X1

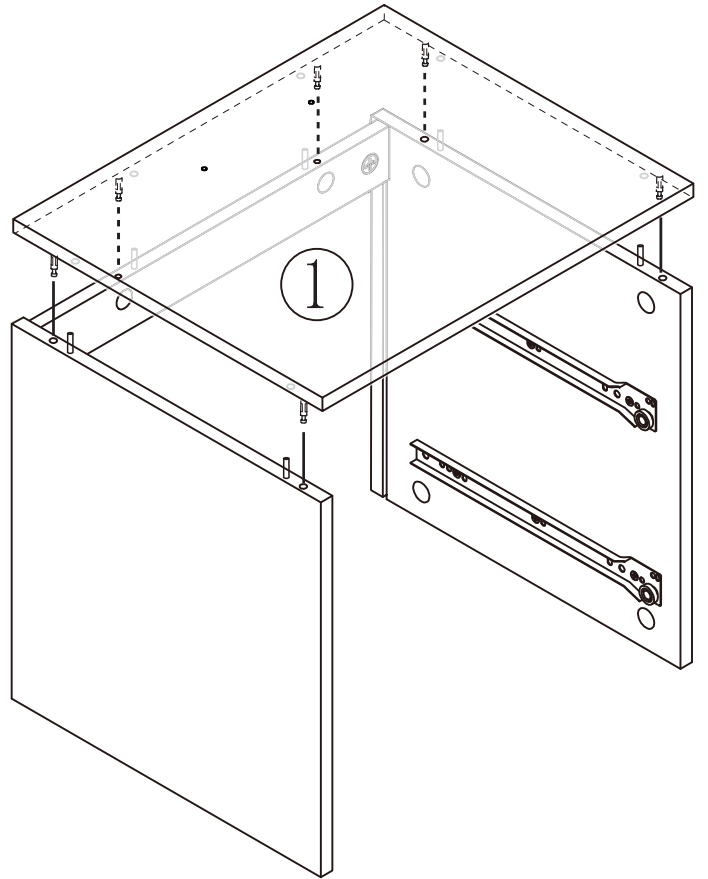
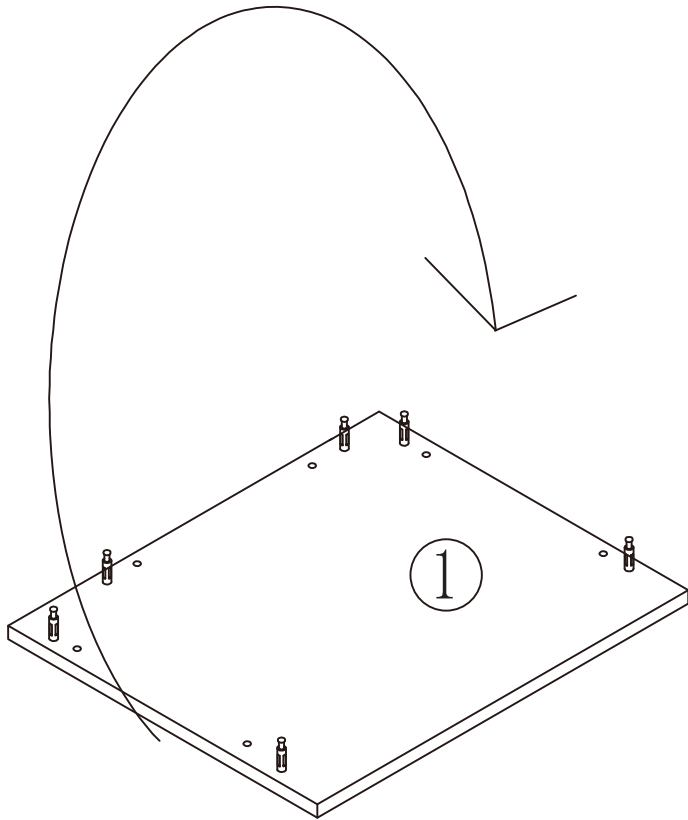


STEP6

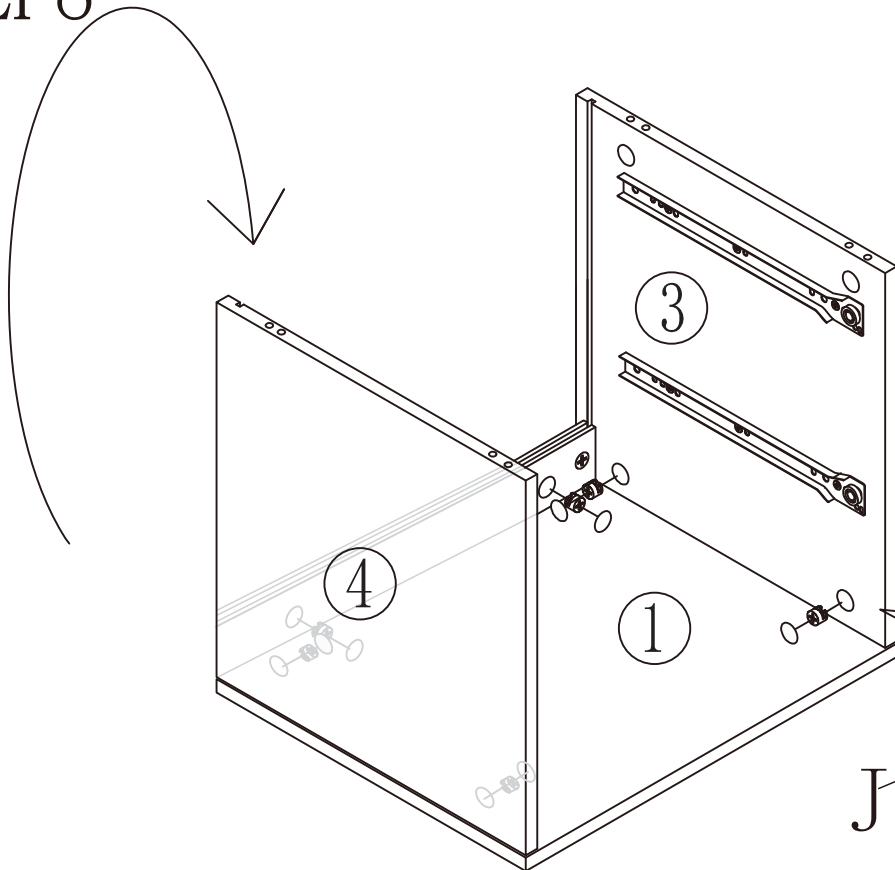
I:  X6





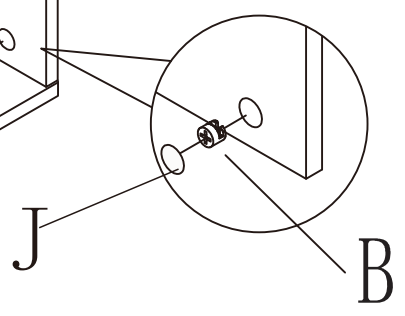
STEP 7




STEP 8

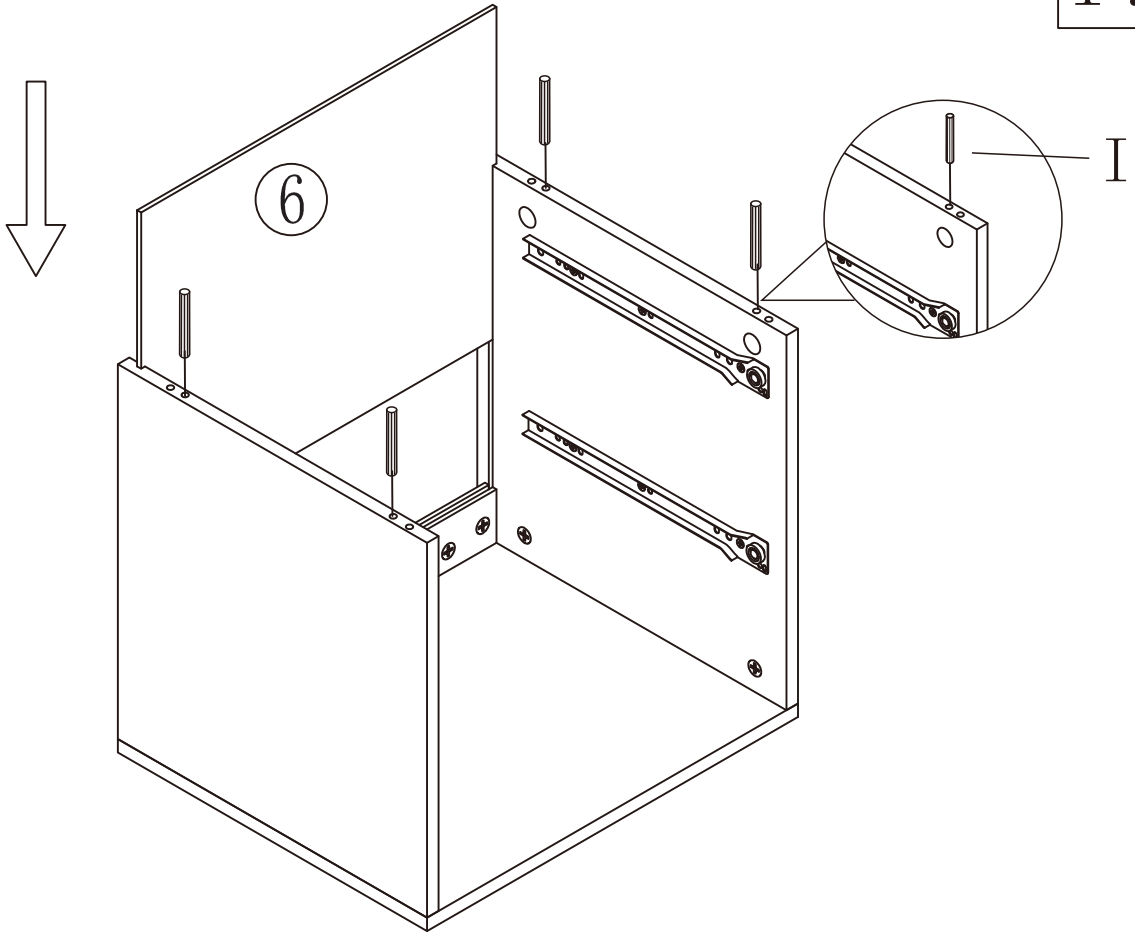


B:  X6
J:  X6







STEP 9

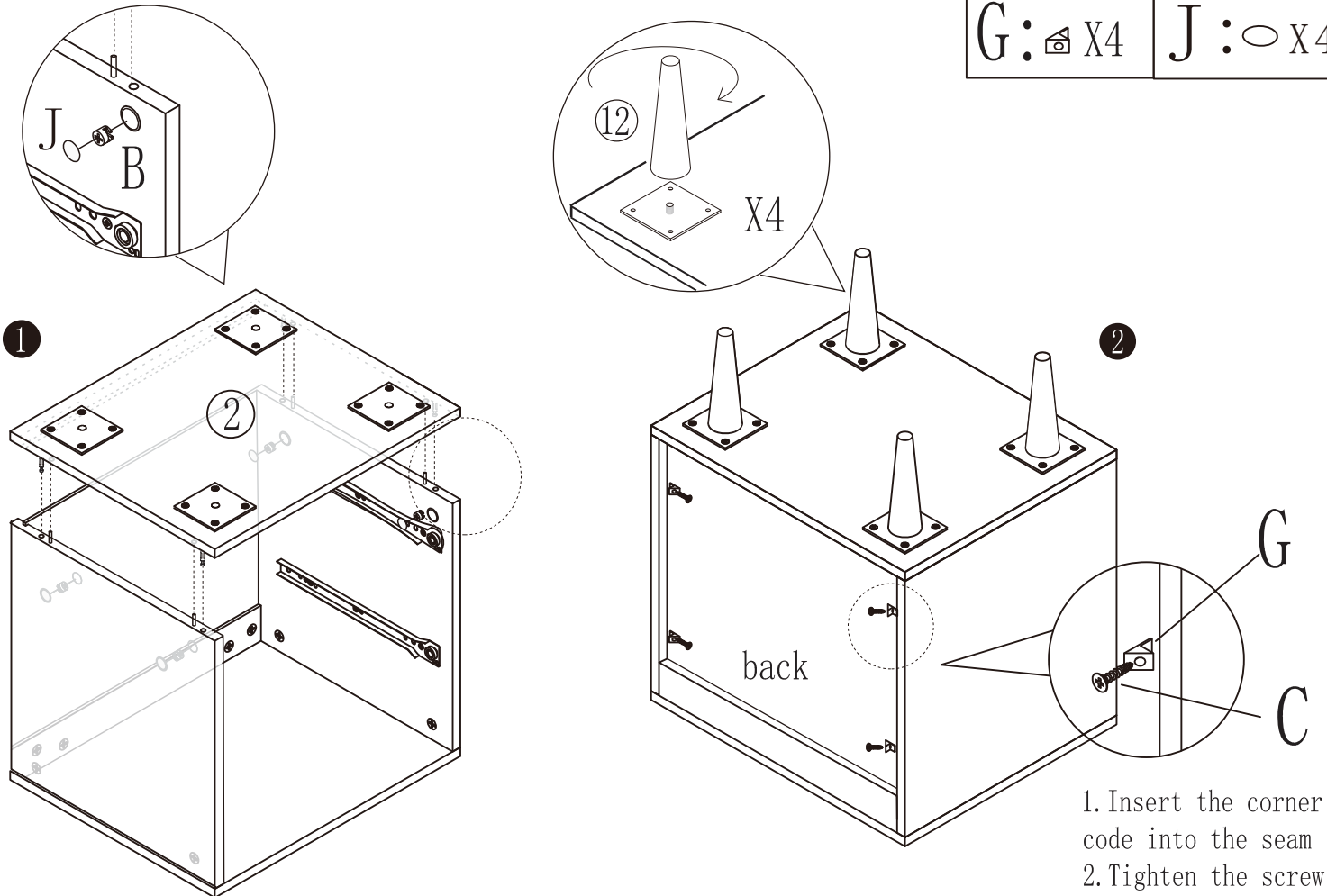
I :  X4



STEP 10

After installing ①, flip the direction and fix ②

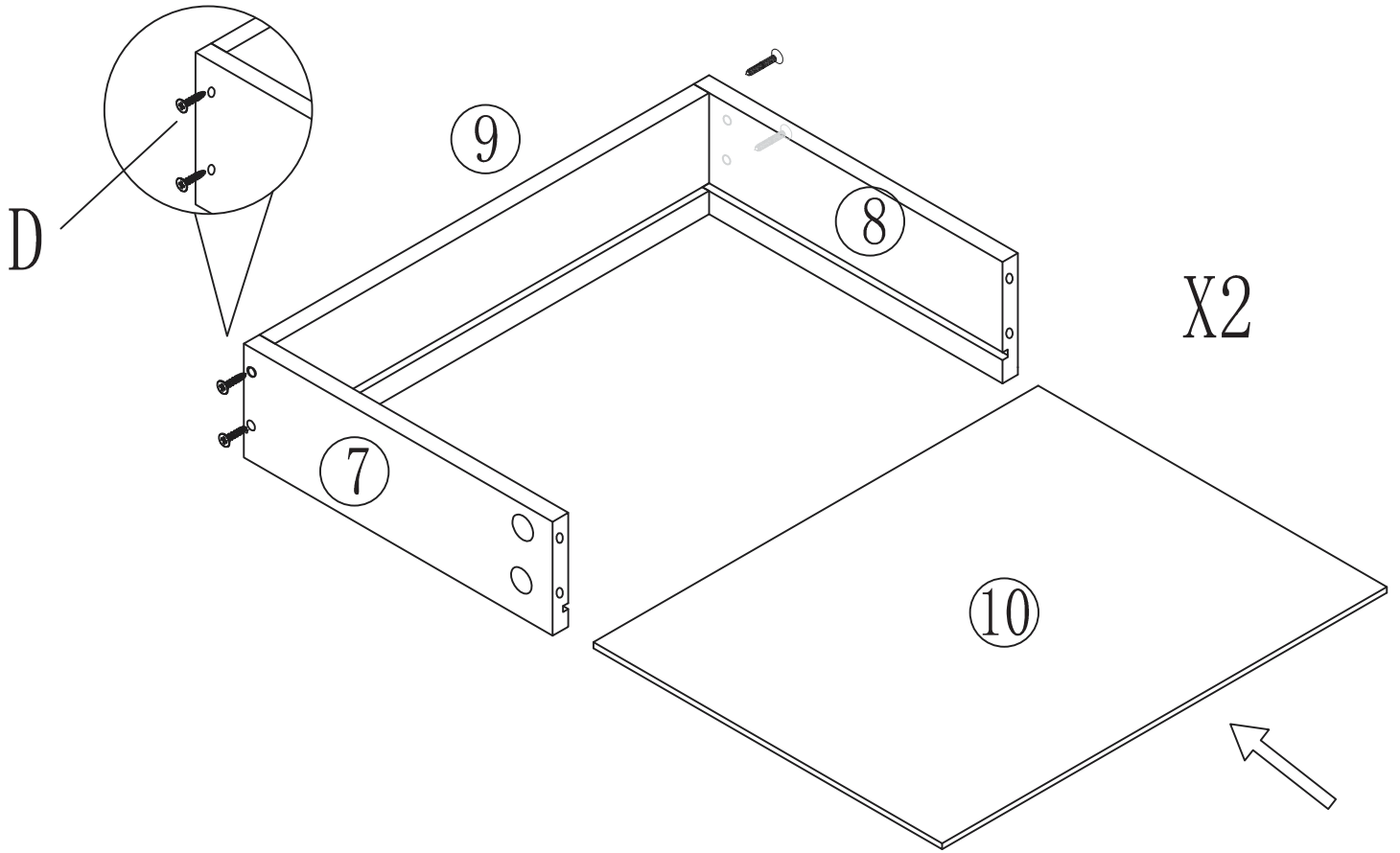
| | |
|--|--|
| C :  X4 | B :  X4 |
| G :  X4 | J :  X4 |



1. Insert the corner code into the seam
2. Tighten the screw

STEP11

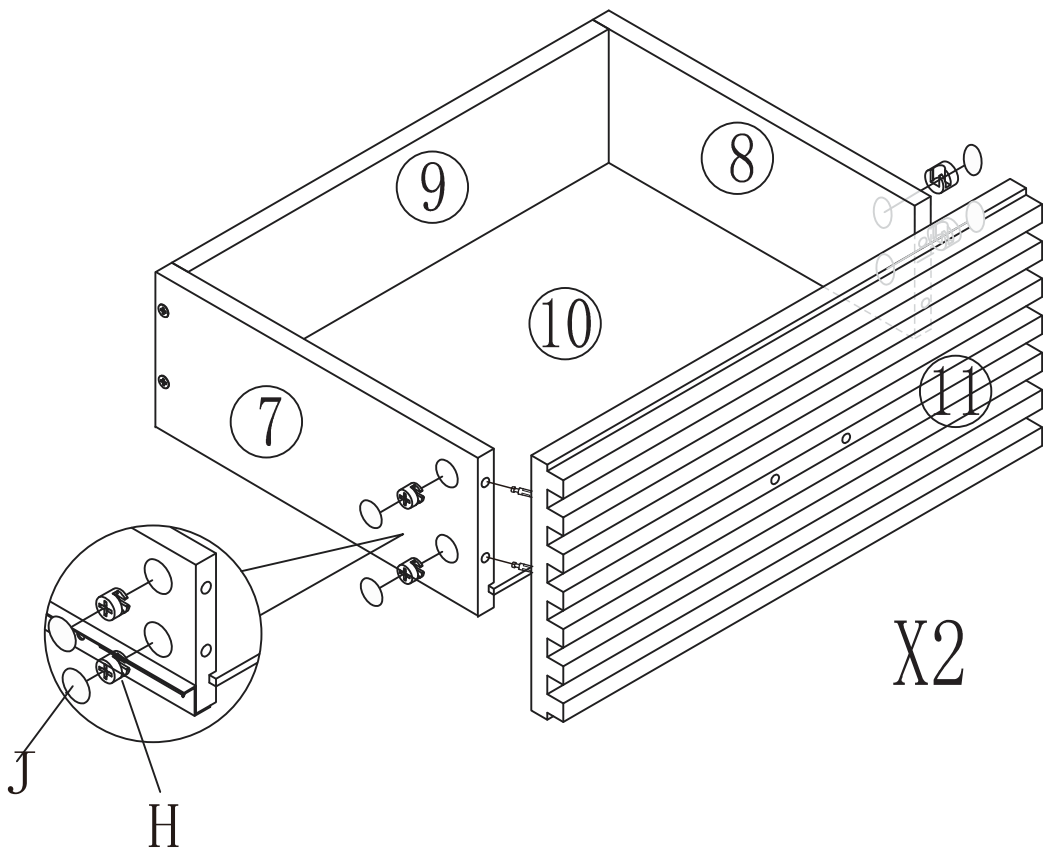
D:  X8



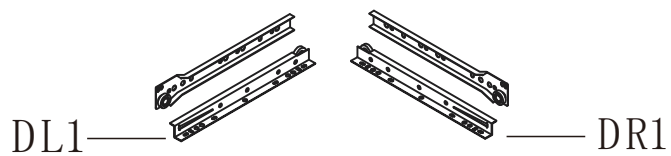
STEP12

H:  X8

J:  X8



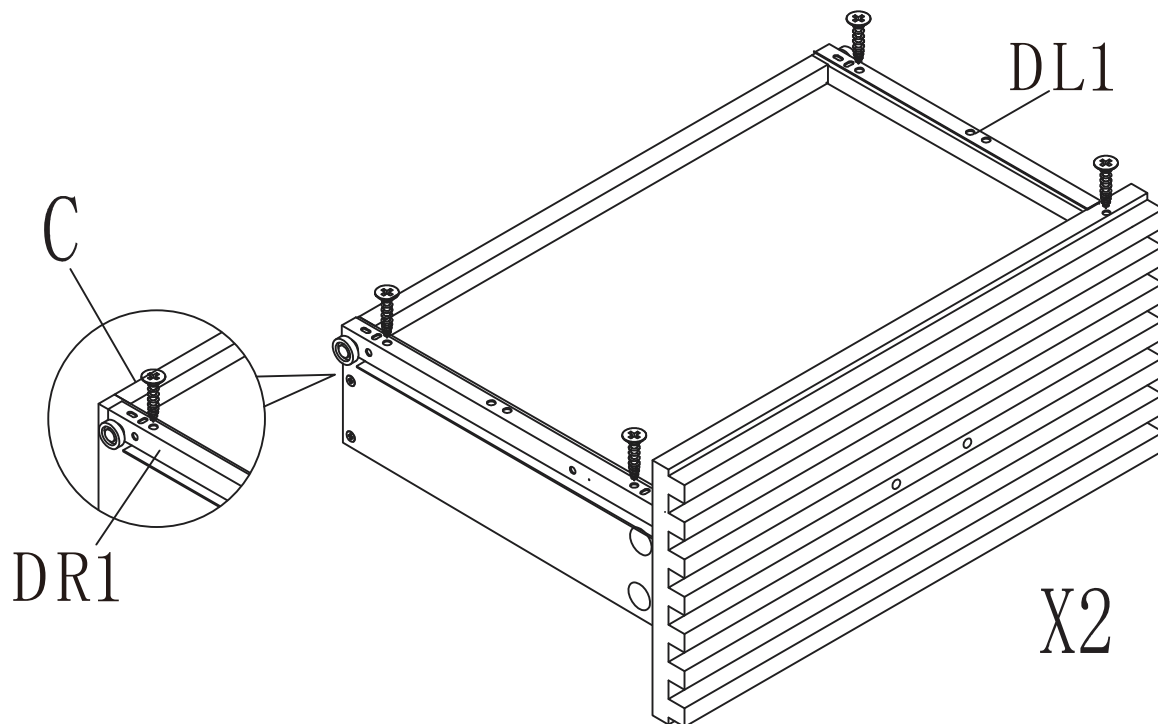
STEP13




C:  X8

DR1:  X2

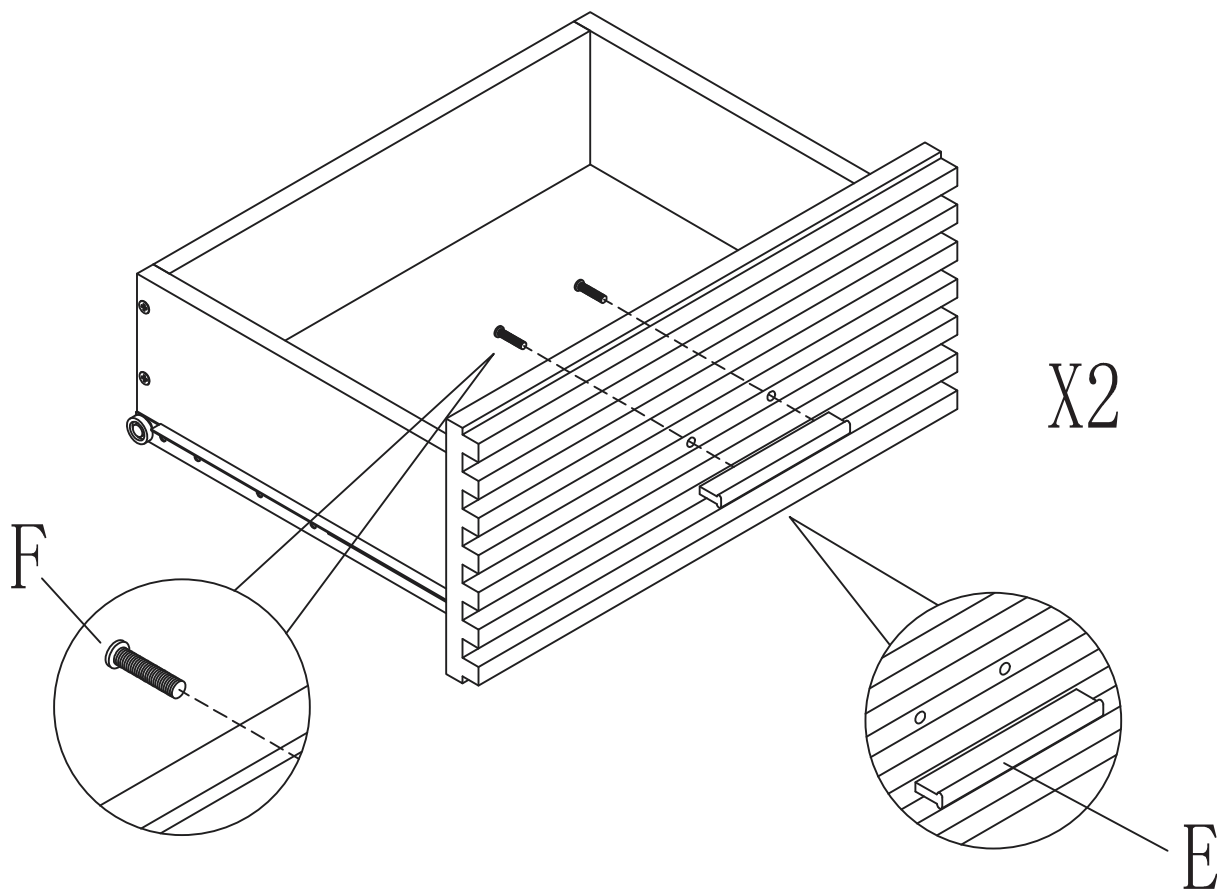
DL1:  X2



STEP14

E:  X2

F:  X4



STEP 15

