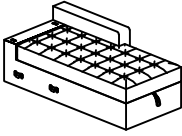

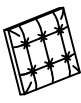




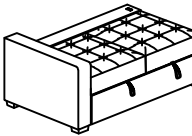
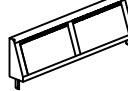
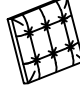


RC: Chaise back cushion, pillow, wooden legs and hardware are stored in the hidden storage. please take out for assembly.

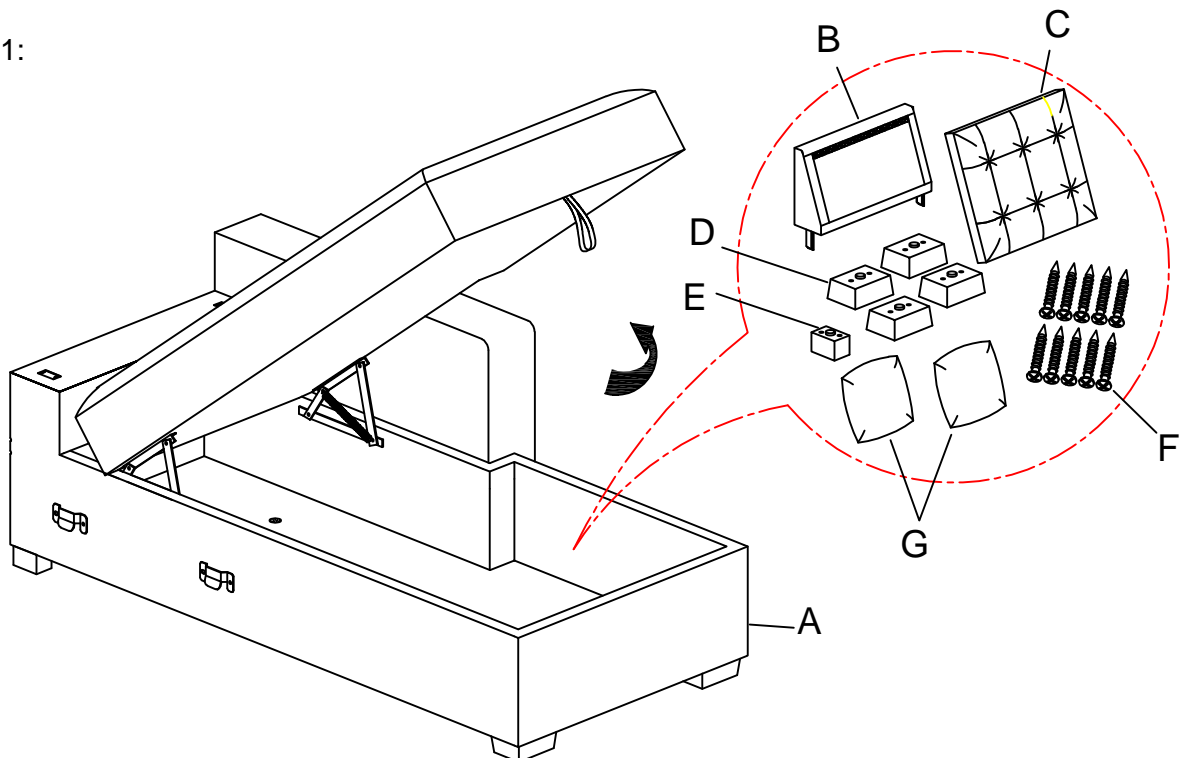
PARTS LIST-RC

NO.	PARTS LIST	QTY	DESCRIPTION
A		1	SEAT FRAME
B		1	BACK FRAME
C		1	CHAIR BACK CUSHION
D	 115*85*45mm	4	WOODEN LEGS
E	 70*45*45mm	1	WOODEN LEGS
F	 M5*40mm	10	WOOD SCREW
G	 18"*18"	2	PILLOW

PARTS LIST-LL

NO.	PARTS LIST	QTY	DESCRIPTION
H		1	SEAT FRAME
I		1	BACK FRAME
J		2	2-SEATER BACK CUSHION

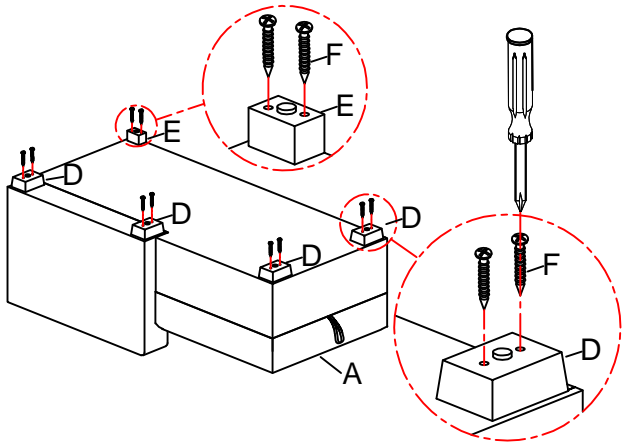
STEP # 1:



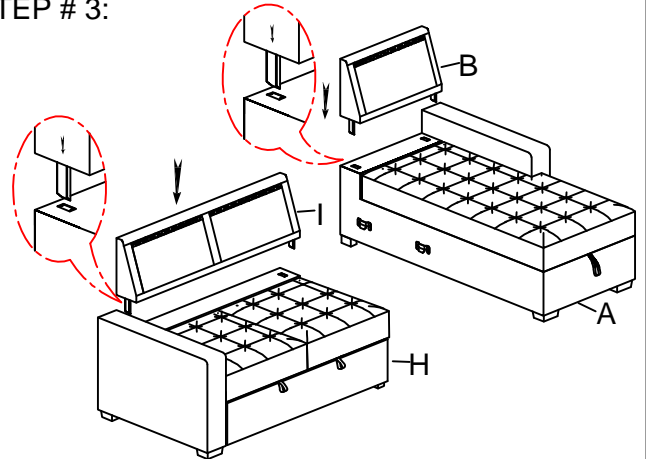
ASSEMBLY INSTRUCTION

(1/2) Left Side 2-Seater with Pull-out Bed.
 (2/2) Right Side Chaise with Hidden Storage.

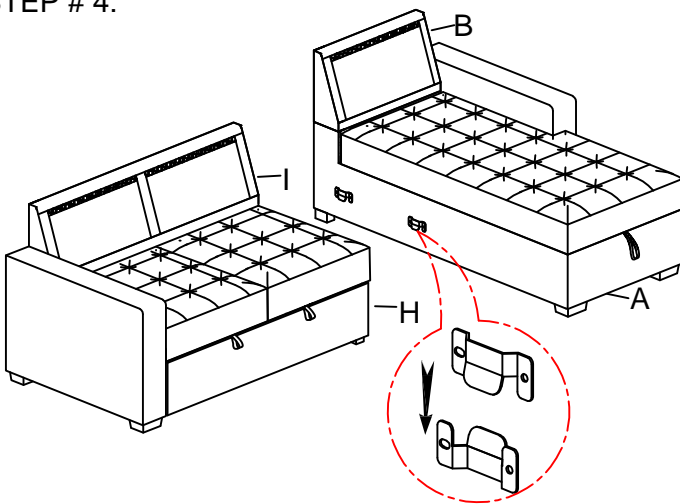
STEP # 2:



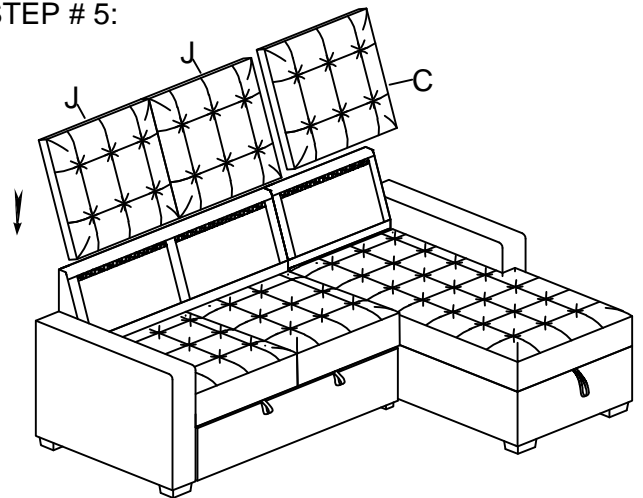
STEP # 3:



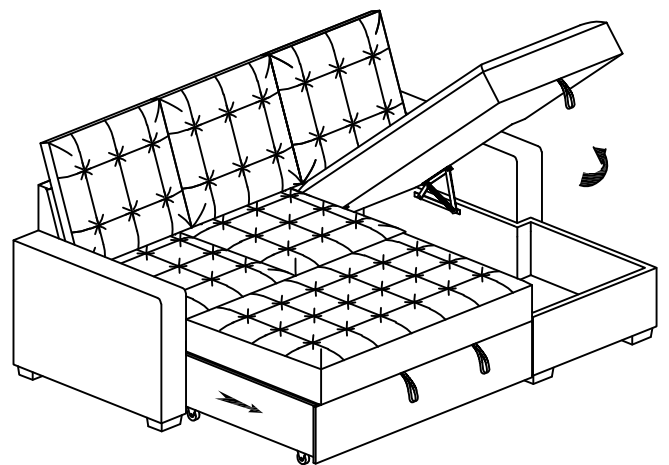
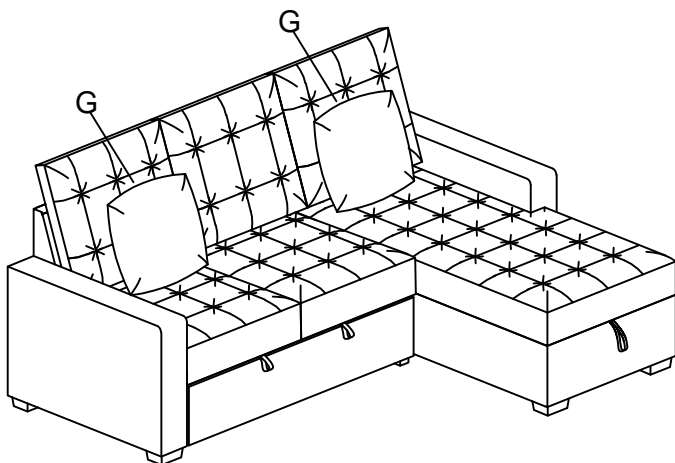
STEP # 4:



STEP # 5:



STEP # 6: COMPLETED



CARE INSTRUCTION FOR FABRIC FURNITURE

In order to maintain the original appearance of your fabric furniture, please follow below simple care procedures.

°Avoid exposing furniture directly to sunlight or heating and air conditioning outlets. Exposure to sunlight or heating and air conditioning outlets will fade/damage fabric.

°Wipe gently with a damp soft cloth to remove dust, dirt and any grime build up.