

Assembling Instruction

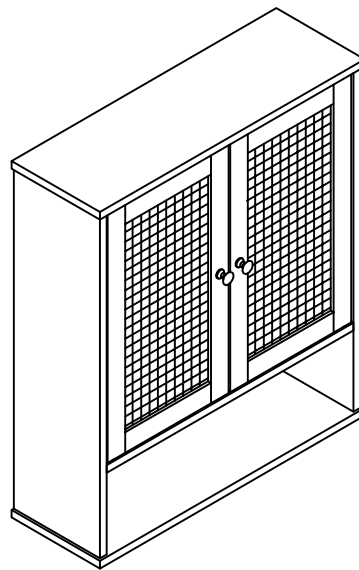
Assembly Instructions

Generating Drawings

Product Notes:

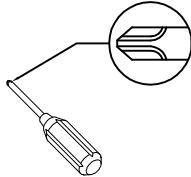


This product will take about 30-45 minutes to assemble by yourself. It is easy to follow the instructions and text to assemble, the process is very simple and smooth. The assembled product is very beautiful, the cabinet dimension is small but doesn't take up too much space and is very practical.

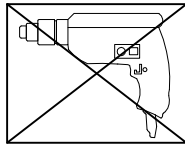


General Assembly Guidelines

- I. Ensure that all parts and hardware are available before beginning assembly.
- II. Follow each step carefully to ensure the proper assembly of this product.
- III. Two people are recommended for ease in the assembly of this product.
- IV. The three main types of hardware used to assemble this product are : wood dowels , screws and bolts.
- V. A Phillips head screwdriver is required for the assembly of this product .

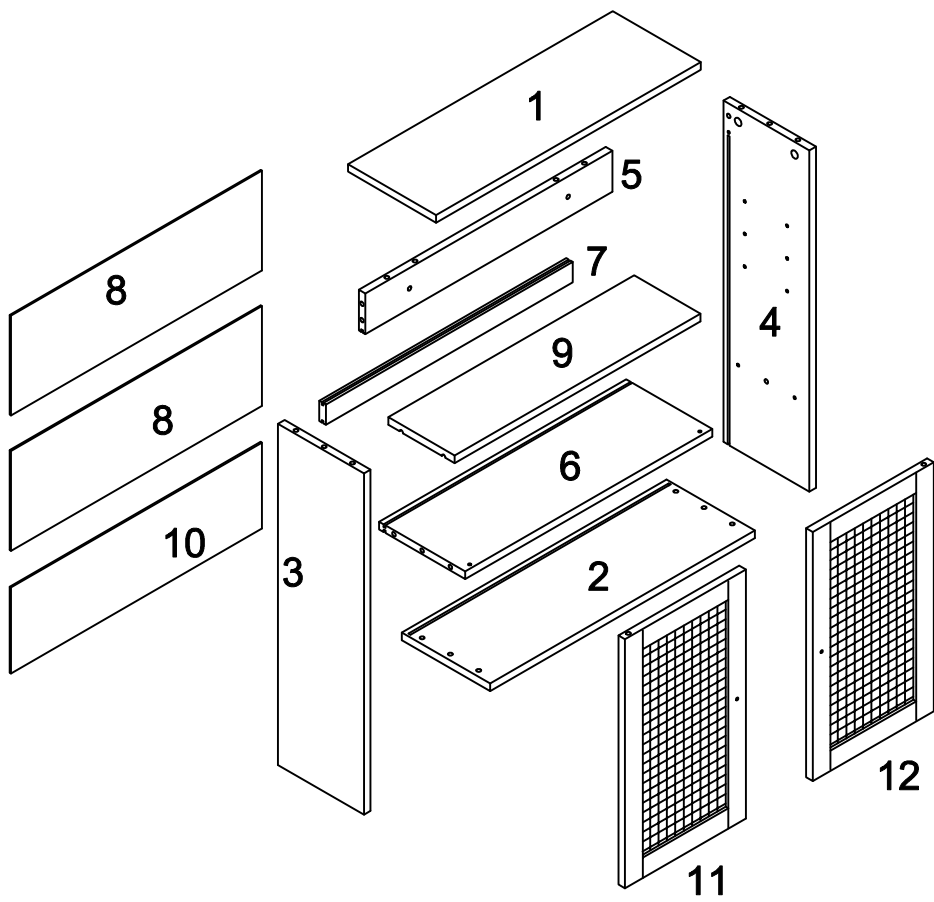


- VI. Power tools should not be used to assemble this product .

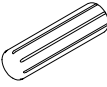




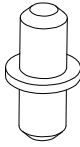



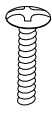
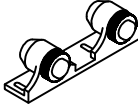


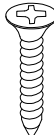
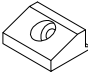
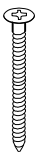

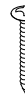
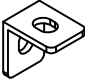



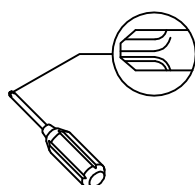
- VII. Concealed hinges are three-way adjustable.

Parts List



HARDWARE PACK CONTENT


A  Ø8x30mm 10x +1	B  Ø6x35mm 12x +1	C  Ø15x11mm 12x +1	D  Ø6x40mm 4x+1	E  1x	F  Ø8x5x16mm 4x+1
G  4x	H  Ø30mm 12x+1	I  2x	J  Ø4x19mm 2x	K  1x	L  Ø3x15mm 2x
M  2x	N  Ø3x17mm 10x+1	O  10x+1	P  Ø5x55mm 2x	Q  Ø7x40mm 4x	R  Ø5x40mm 2x
S  2x	T  2x				

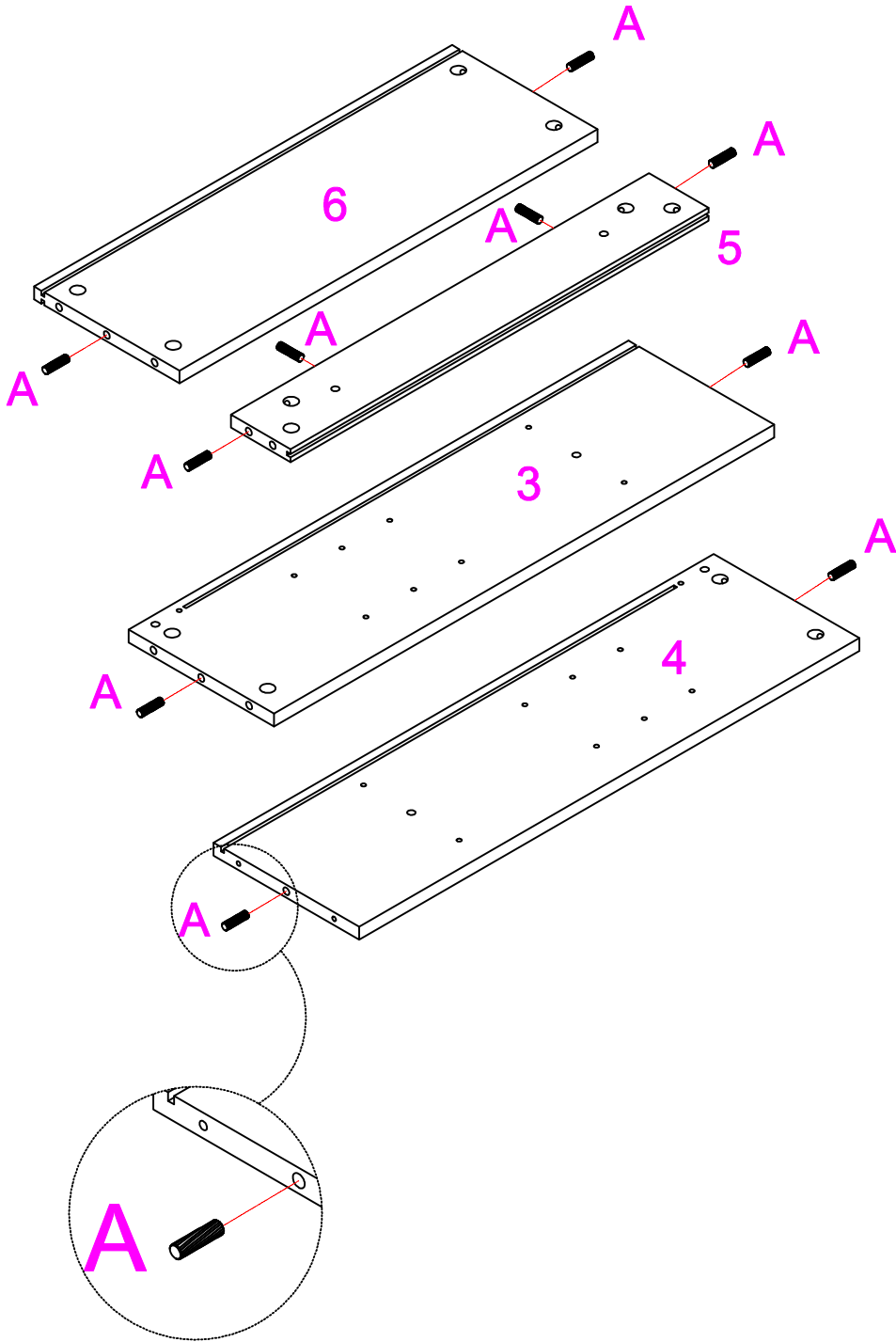


Philips head screwdriver required for assembly
(not included)

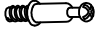
*The hardware quantities listed above are required for proper assembly.
Some extra hardware may also have been included.*

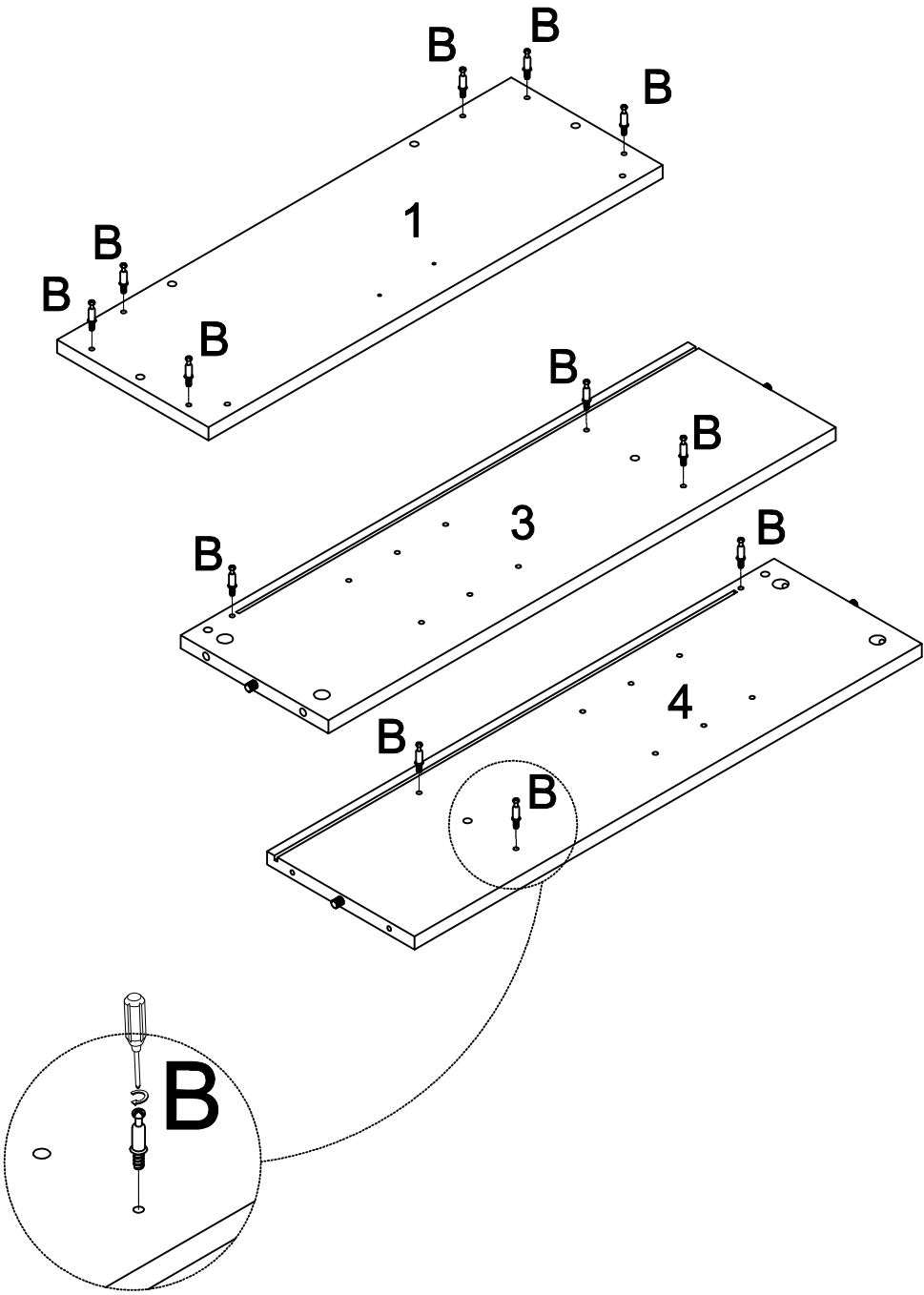
Step 1

A

X10

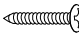
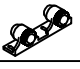


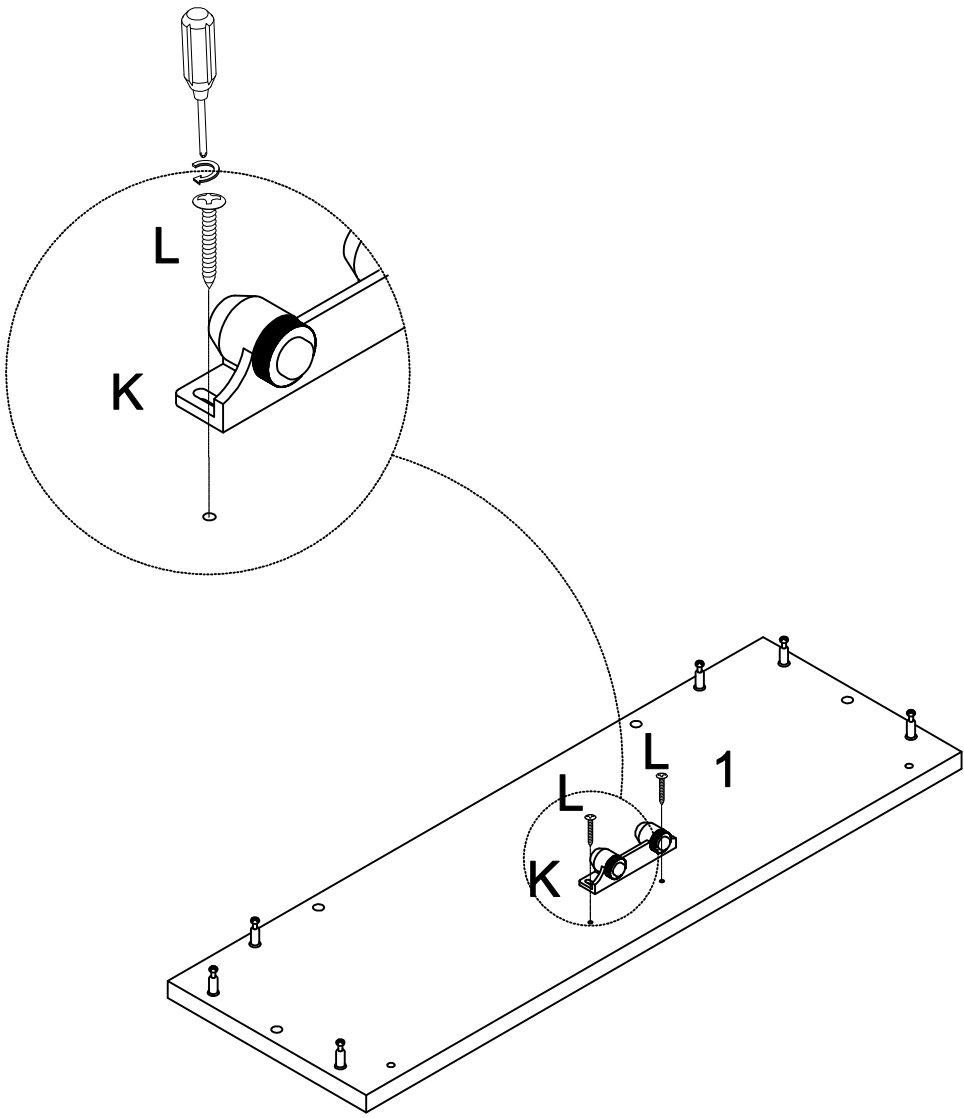
Step 2

B

X12




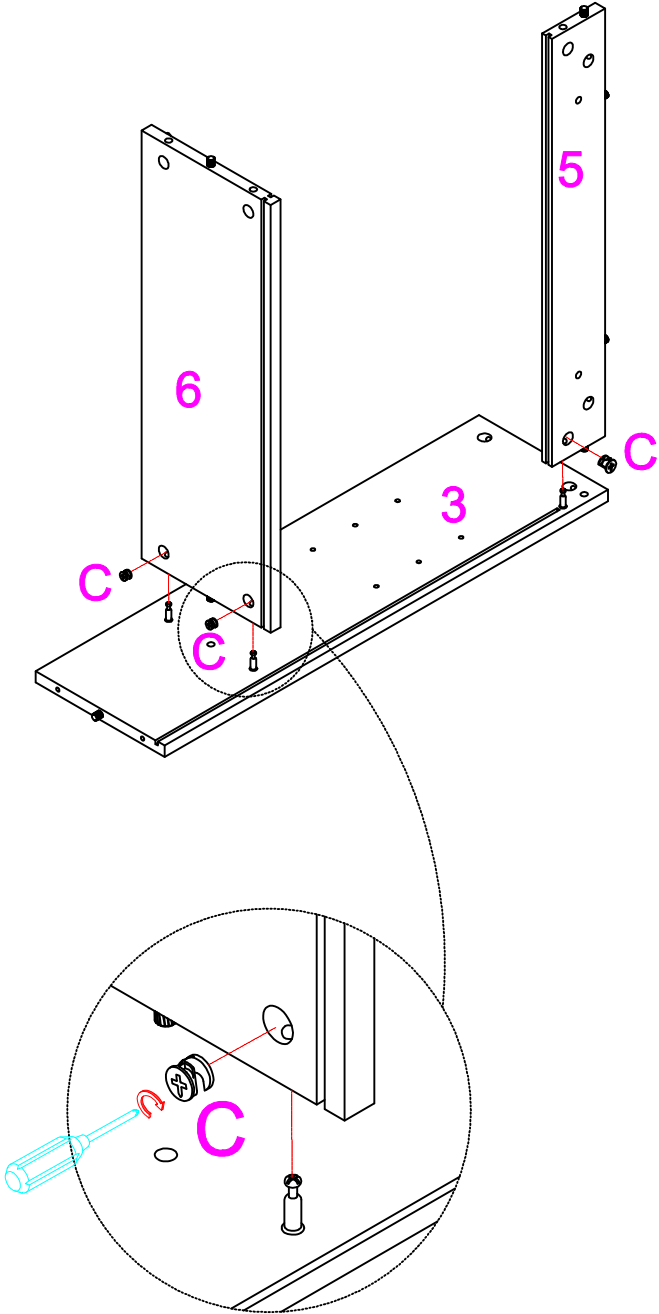
Step 3

L	K
	
X2	X1

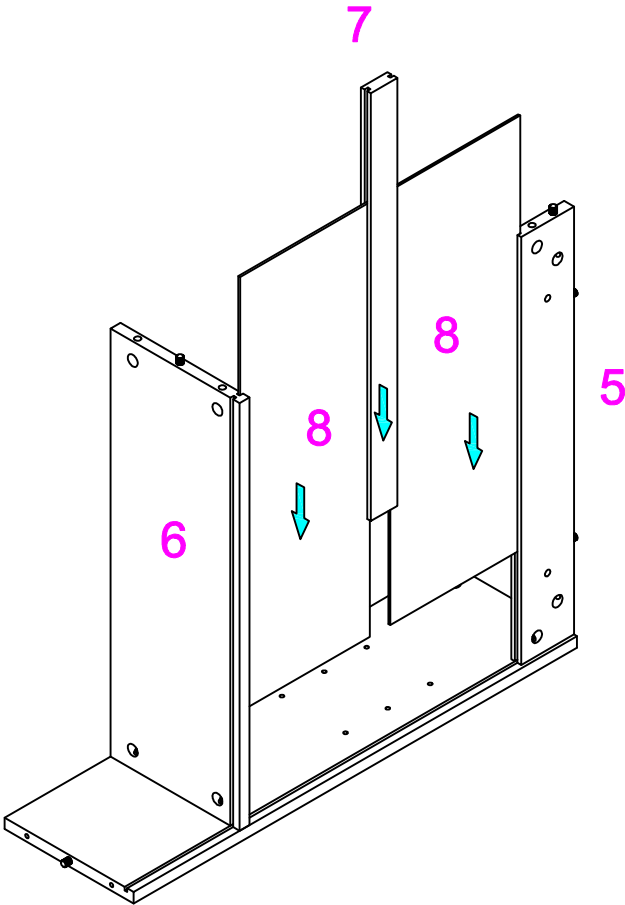


Step 4


C

X3

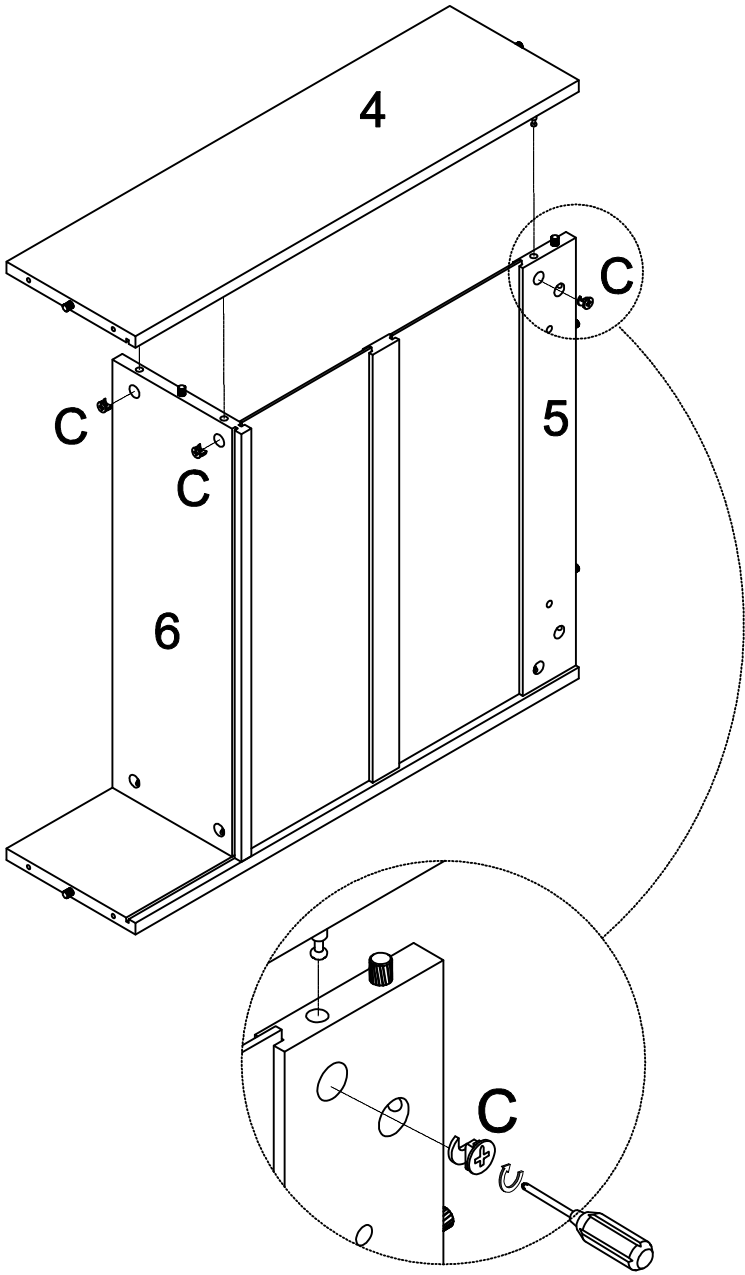


Step 5

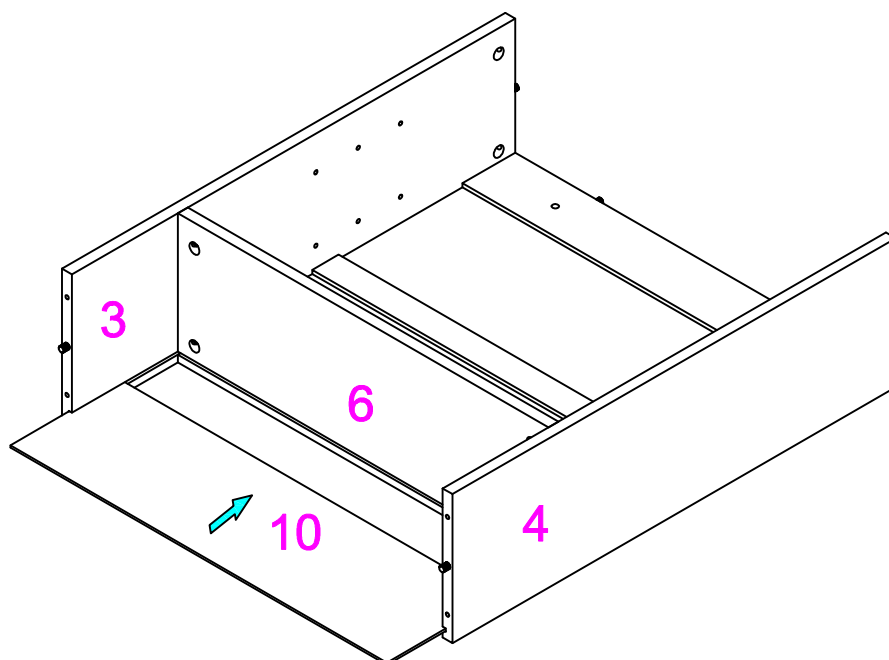


Step 6


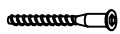
C

X3

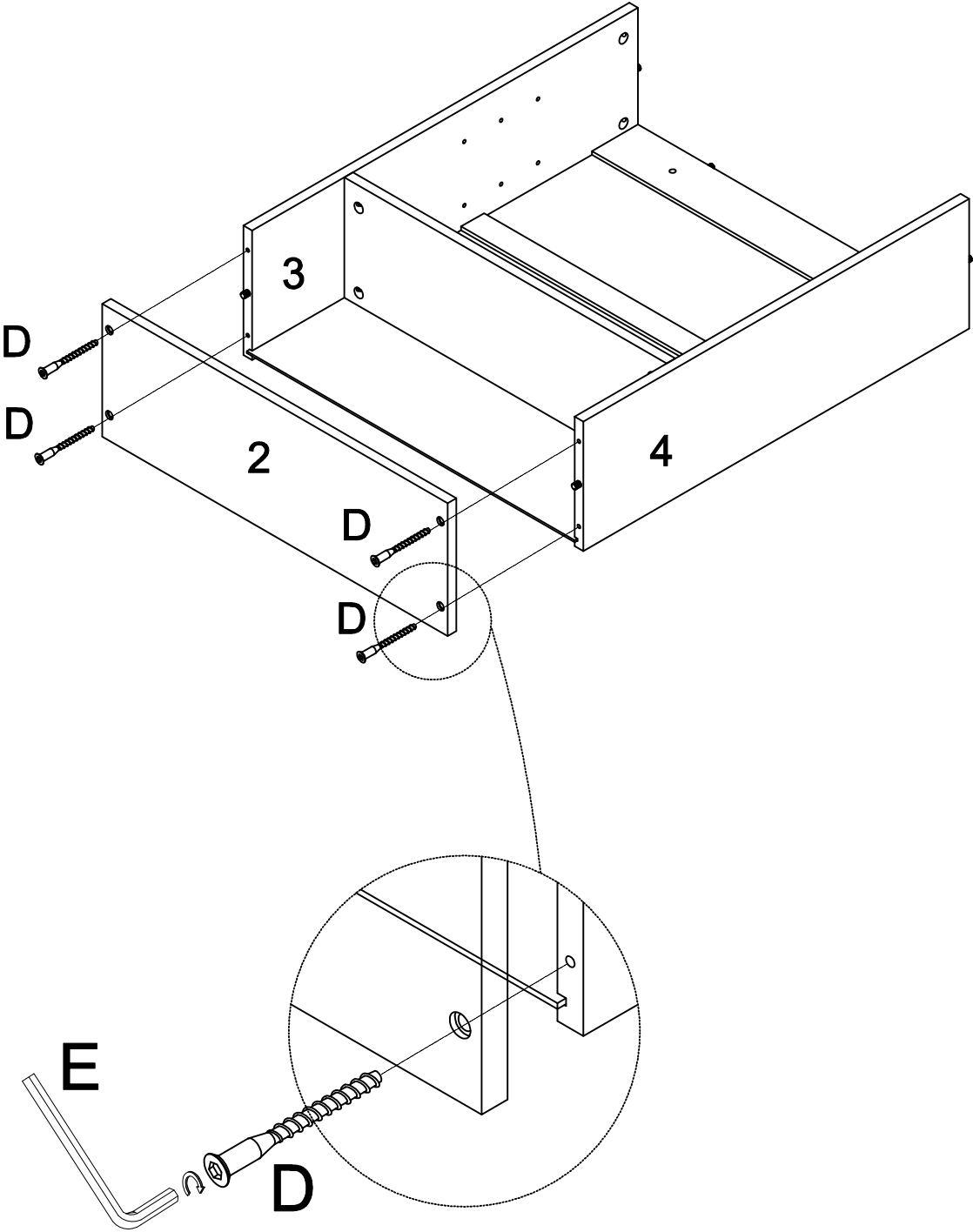


Step 7




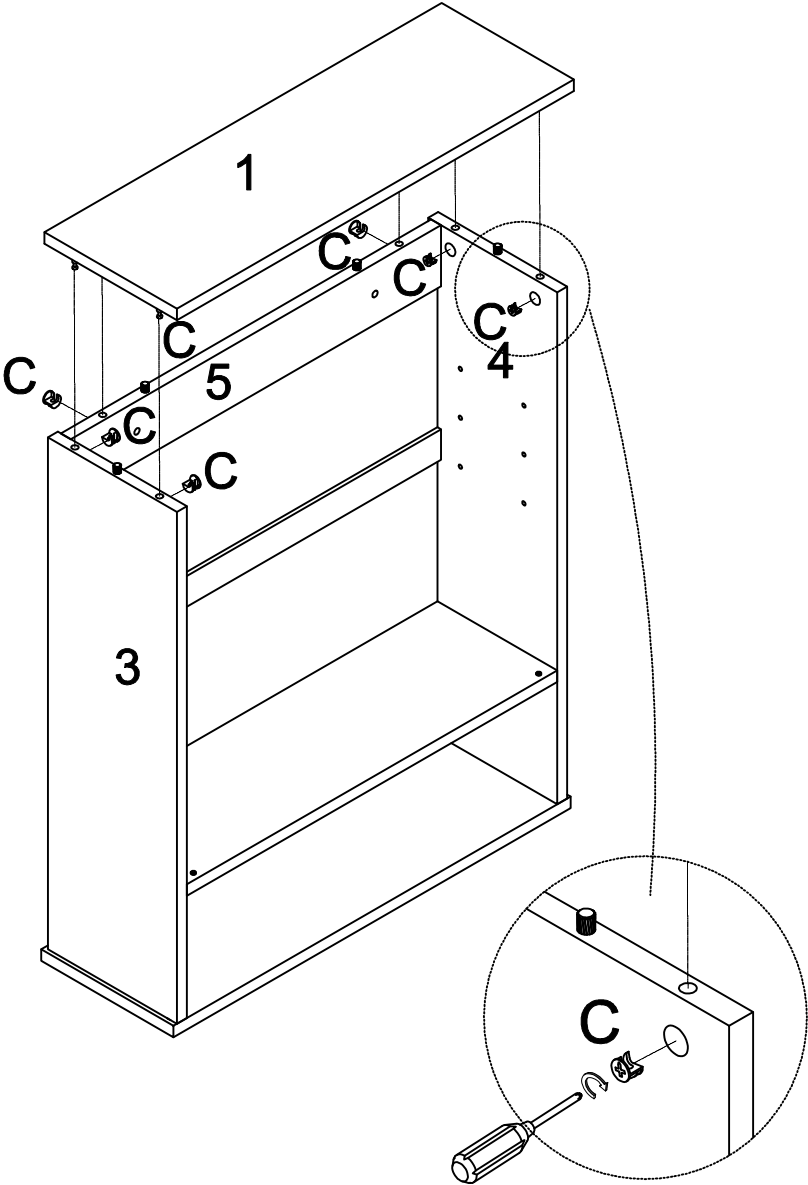
Step 8

E	D
	
X1	X4


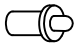


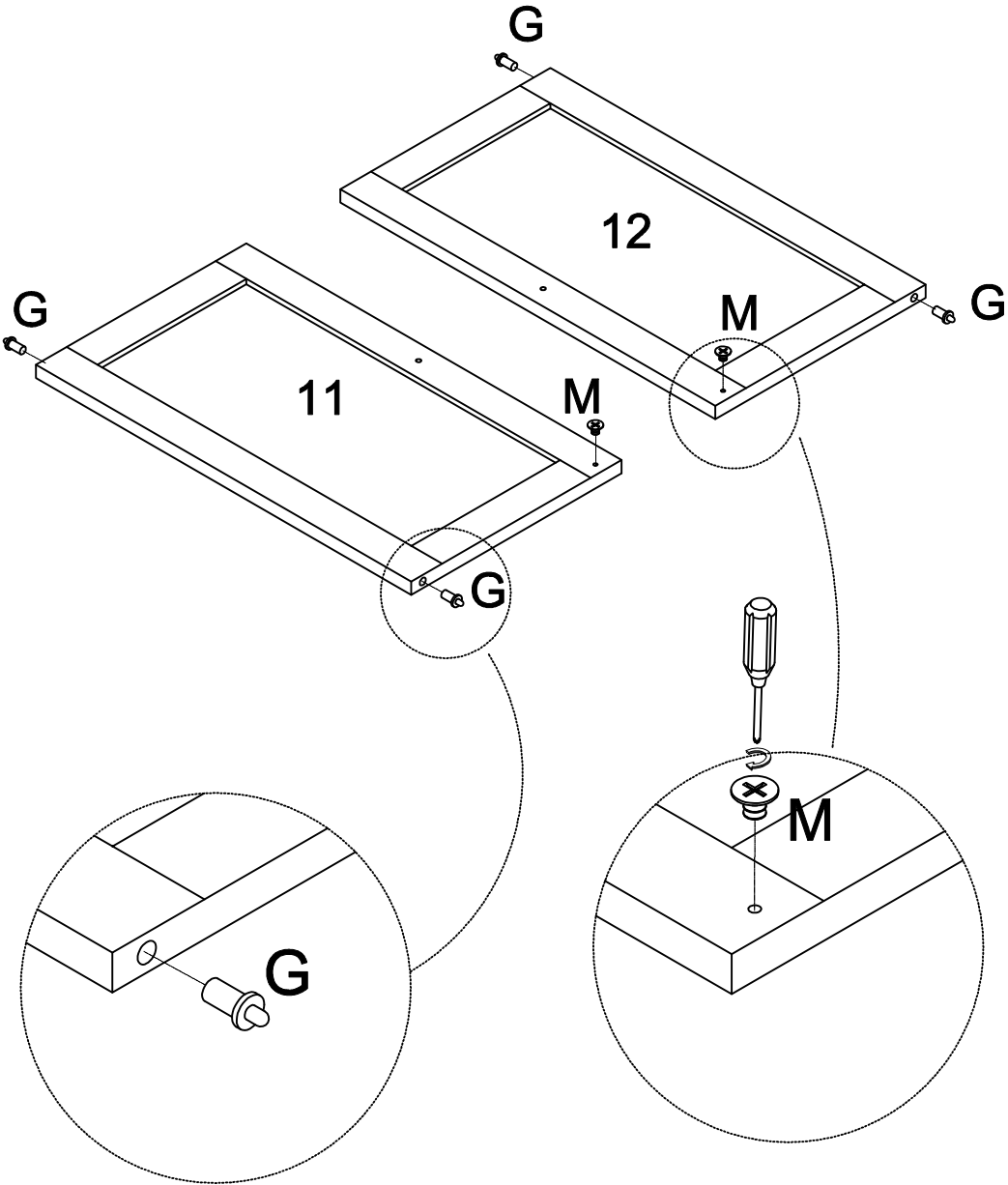
Step 9

C

X6





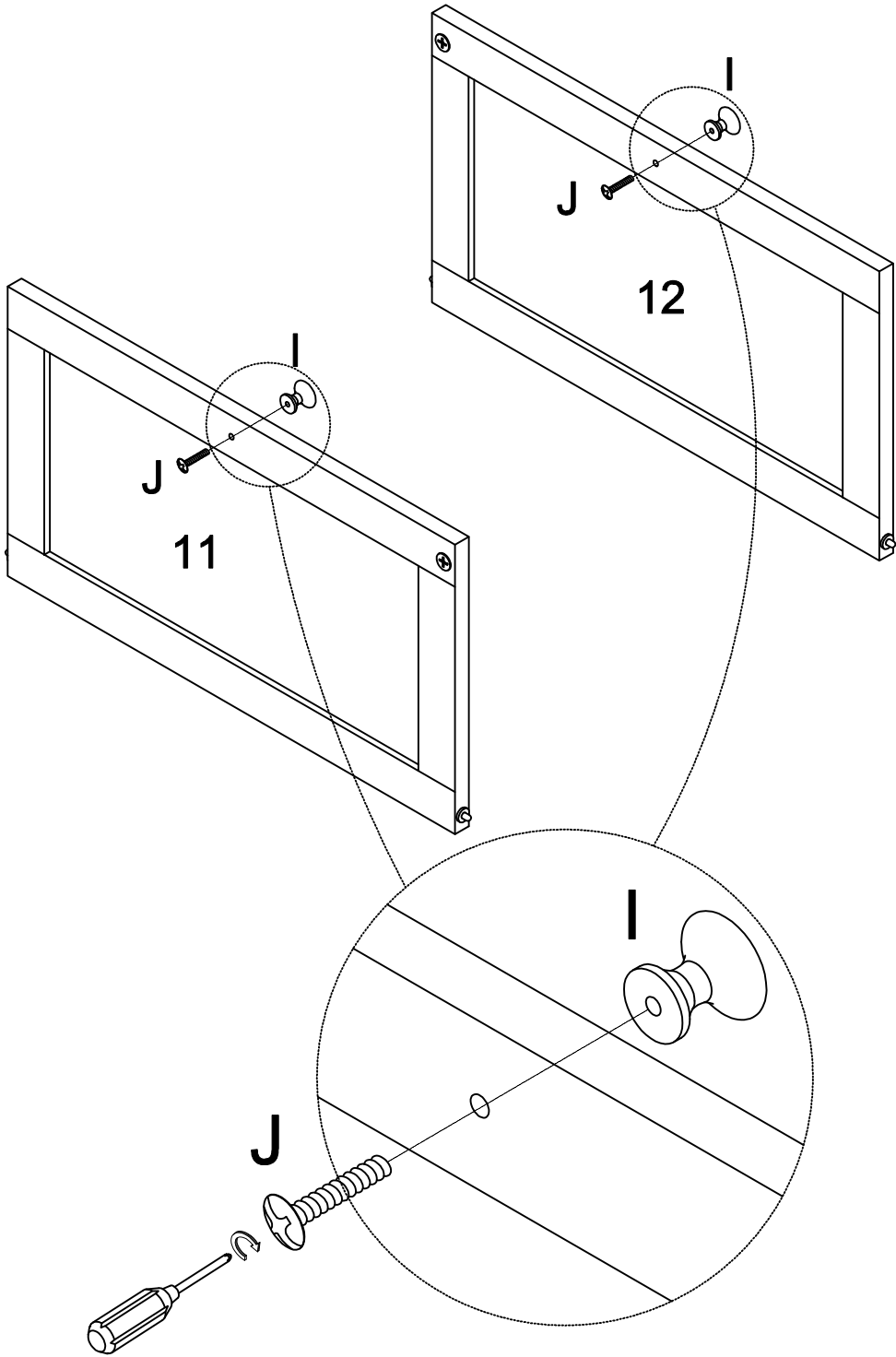
Step 10

M	G
	
X2	X4





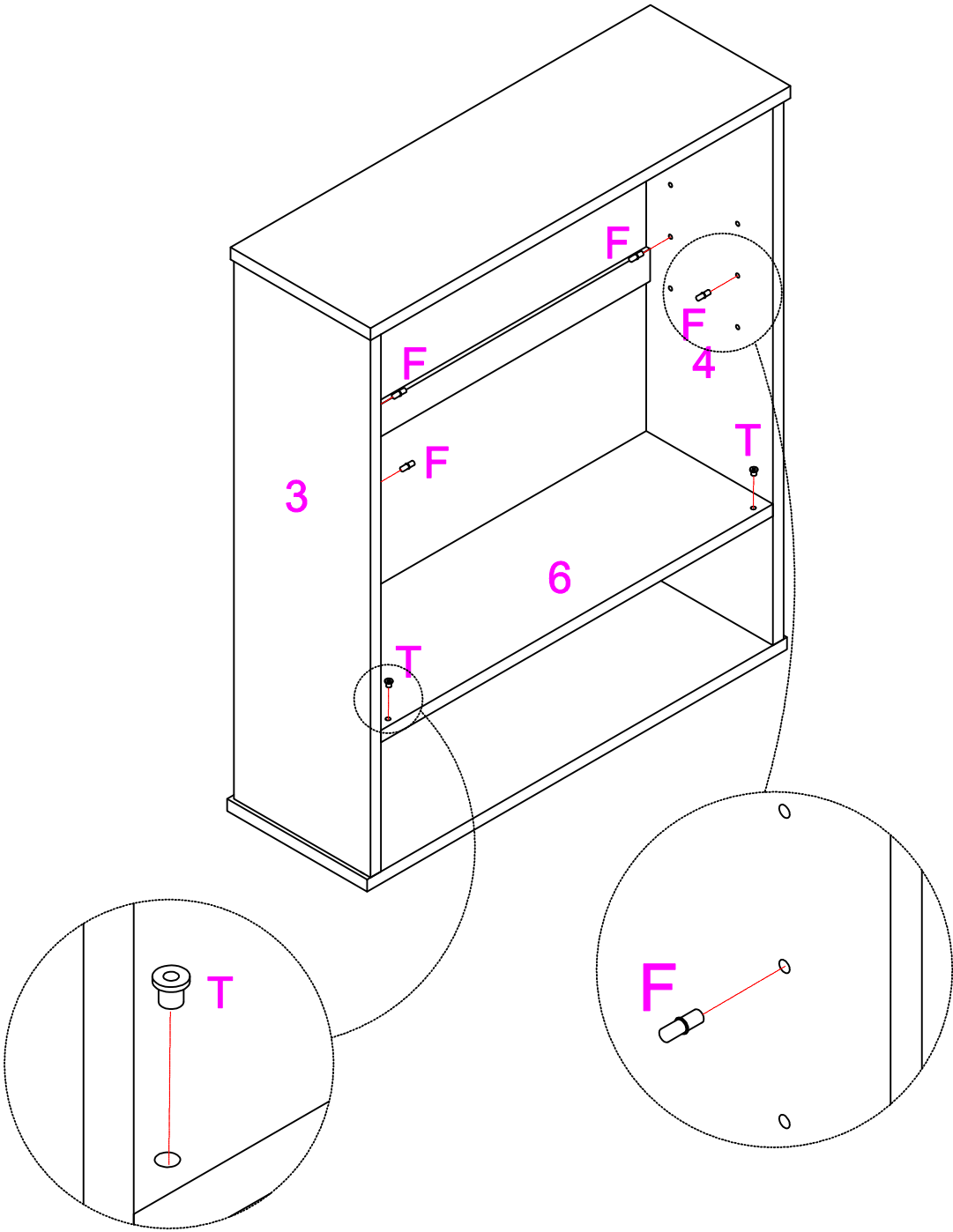
Step 11

I	J
	
X2	X2



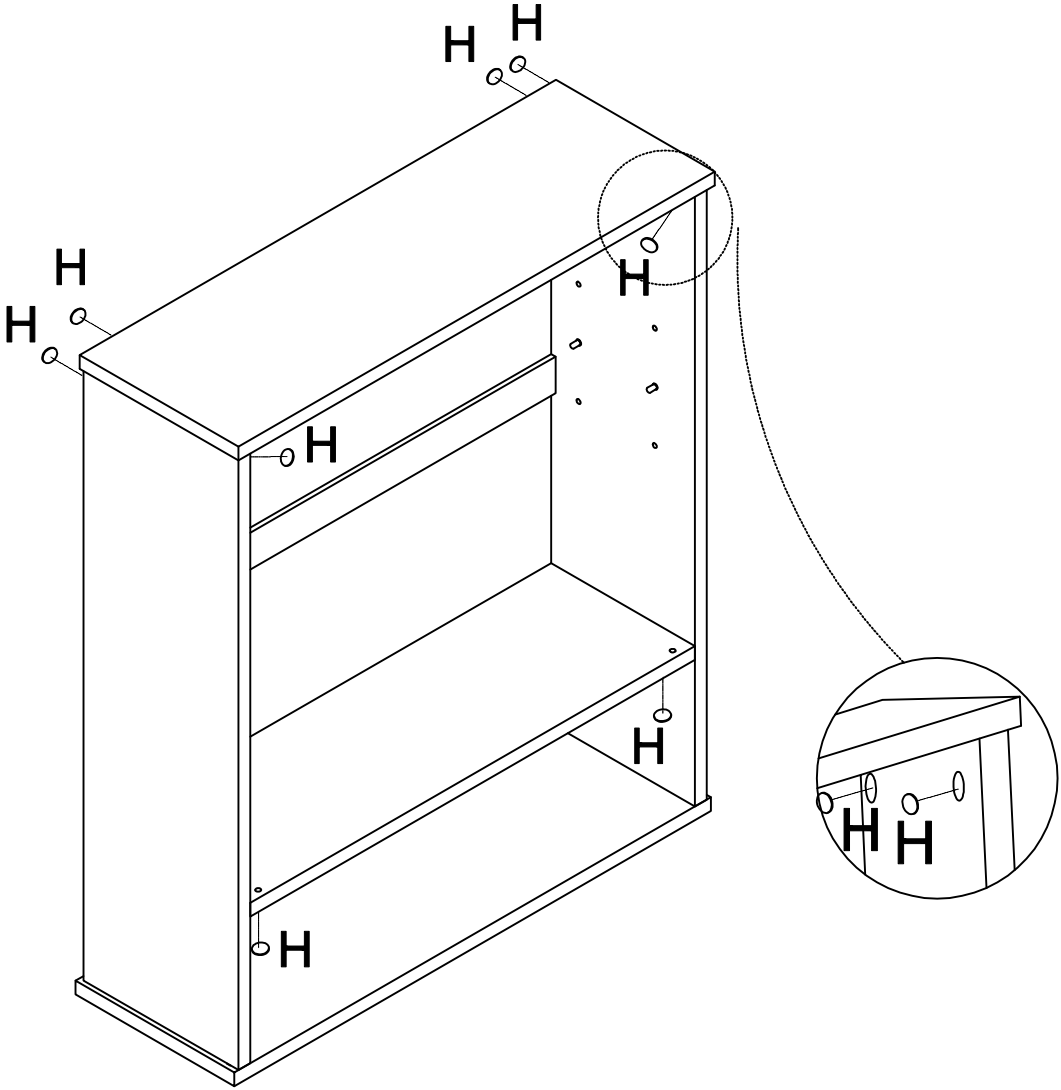
Step 12

T	F
	
X2	X4

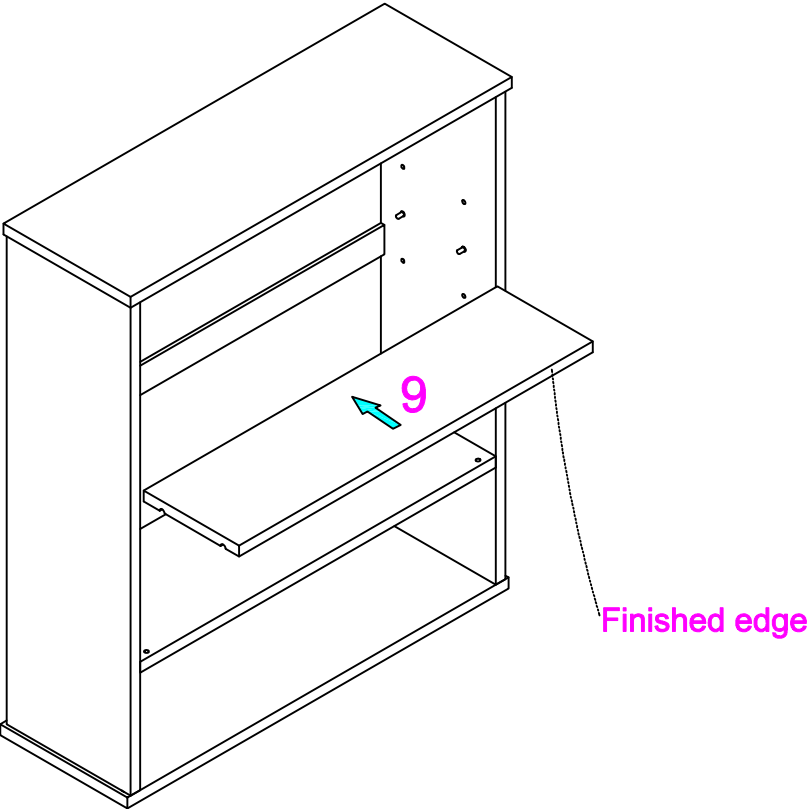


Step 13

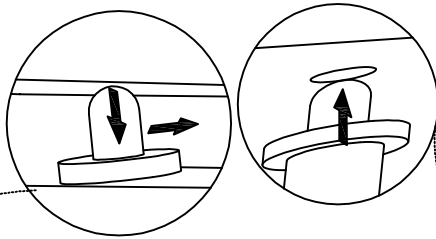
H
O
X12



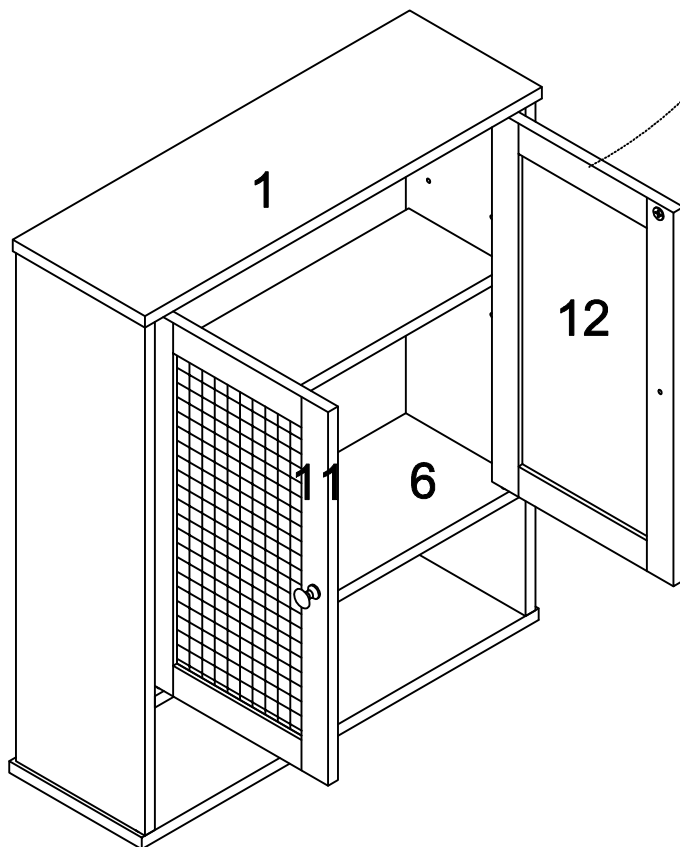
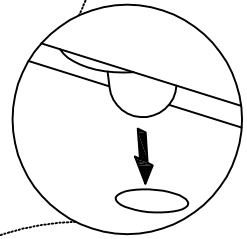
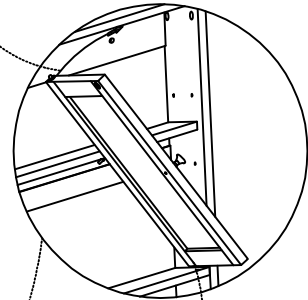
Step 14



Step 15





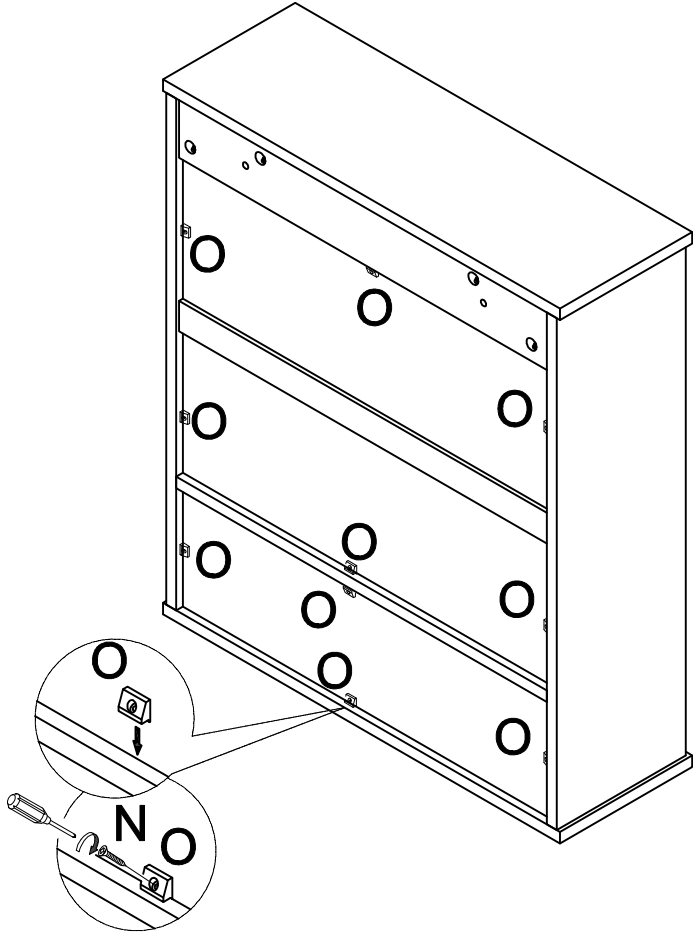
2nd: Press down the head of latch (G), then assemble it to the hole of the top panel(#1).



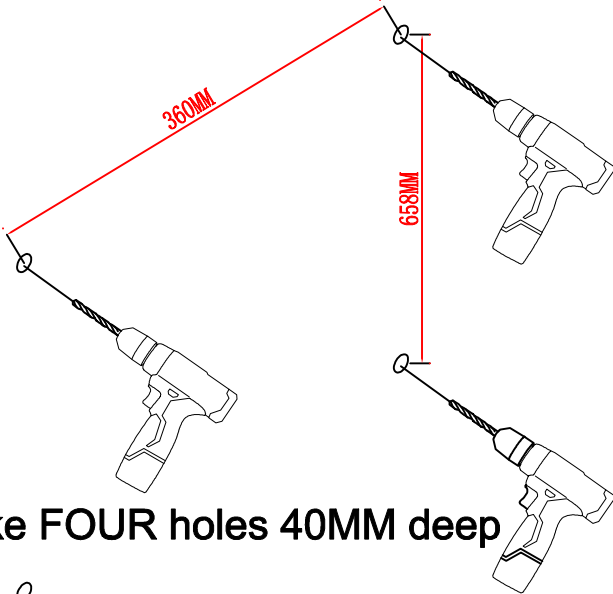
1st: Assemble the latch(G),to the nut(T) of the Part#6.

Step 16

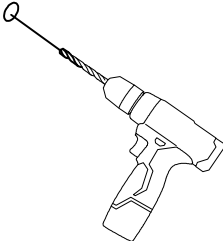
O	N
	
X10	X10




Step 17

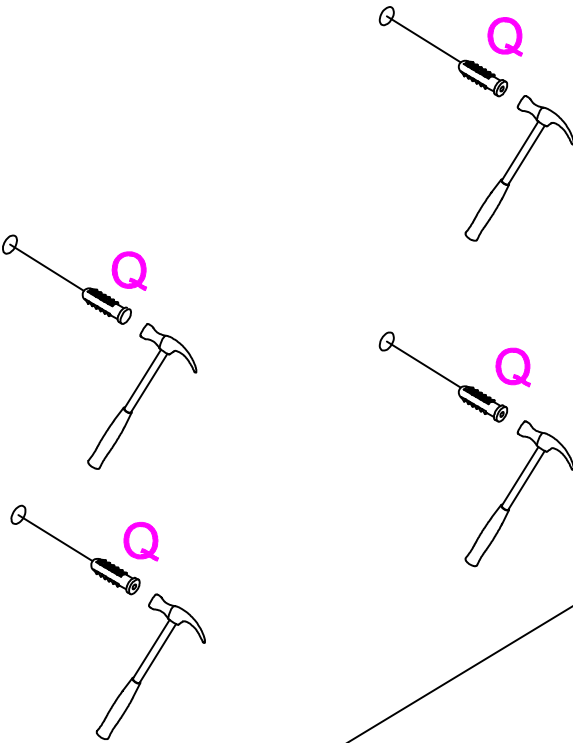


Make FOUR holes 40MM deep






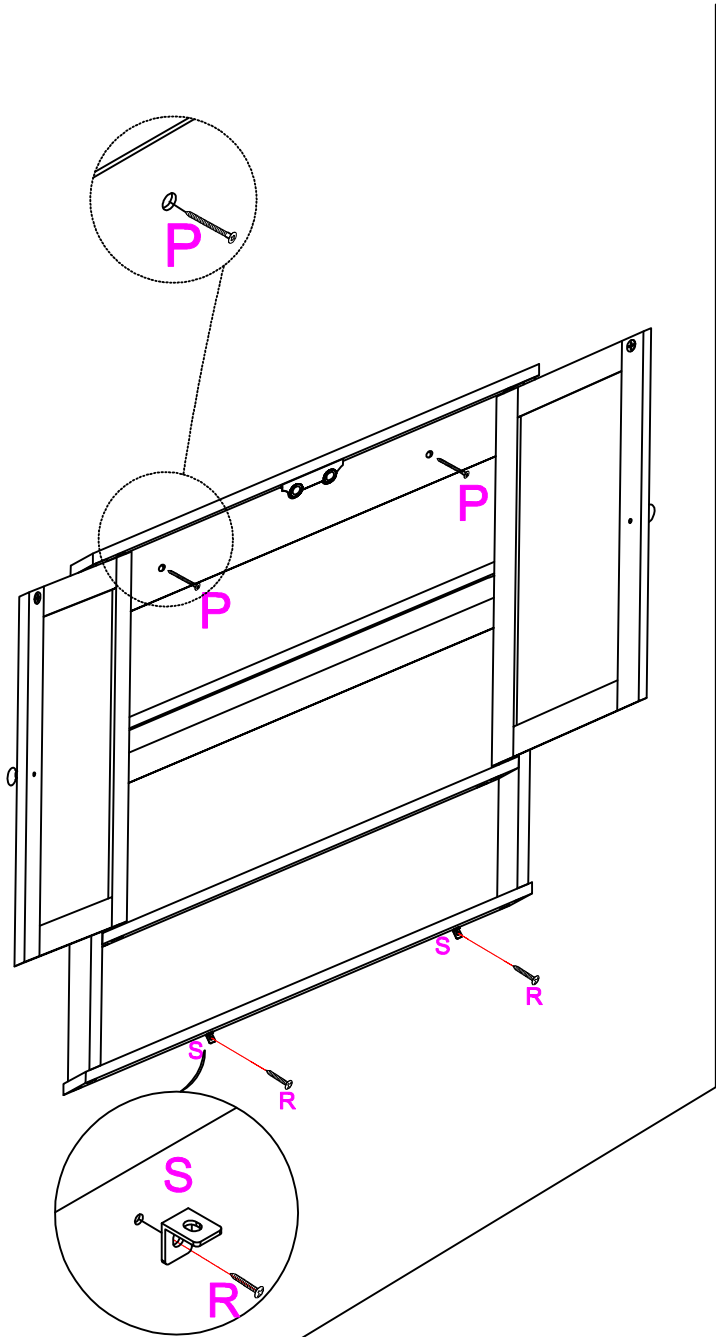
Step 18

Q

X4



Step 19

S	R	P
		
X2	X2	X2



Step 20

