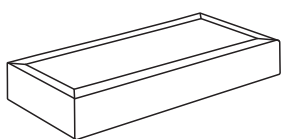


ASSEMBLY INSTRUCTION

ITEM NO.:DV7705/DV7706/DV7707



PARTS LIST



A

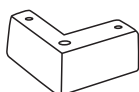
X1



B

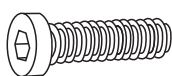
X1

HARDWARE LIST



1

X4



2

X4



3

X1



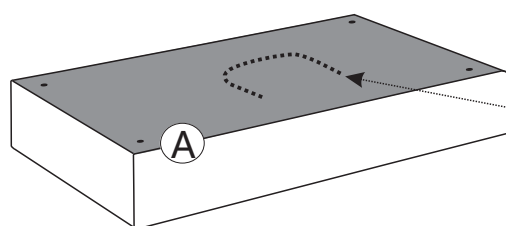
4

X8



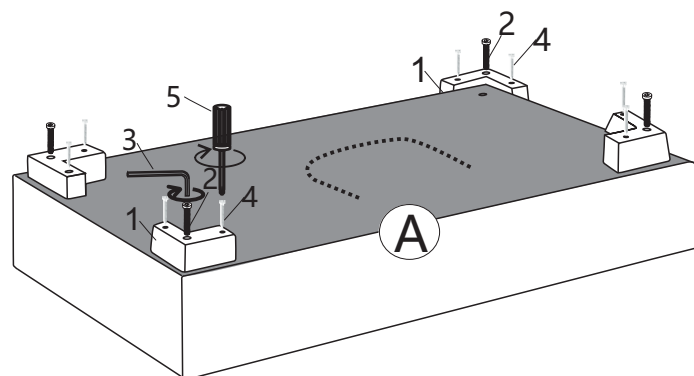
5

X1

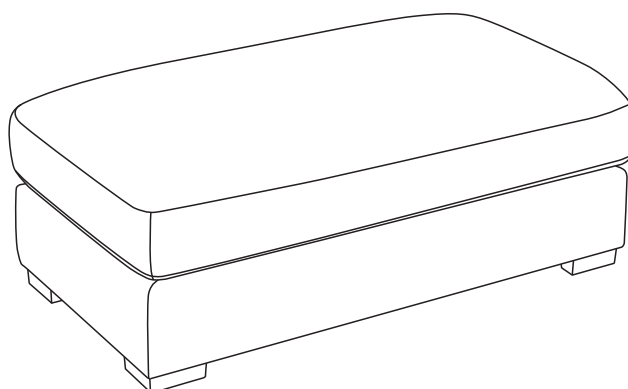
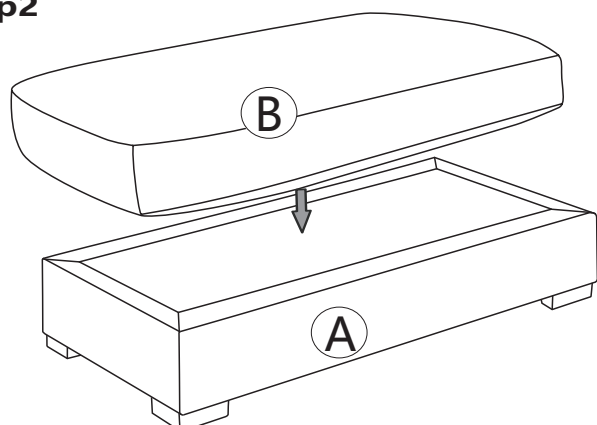


- ① X4
- ② X4
- ③ X1
- ④ X8
- ⑤ X1

Step1

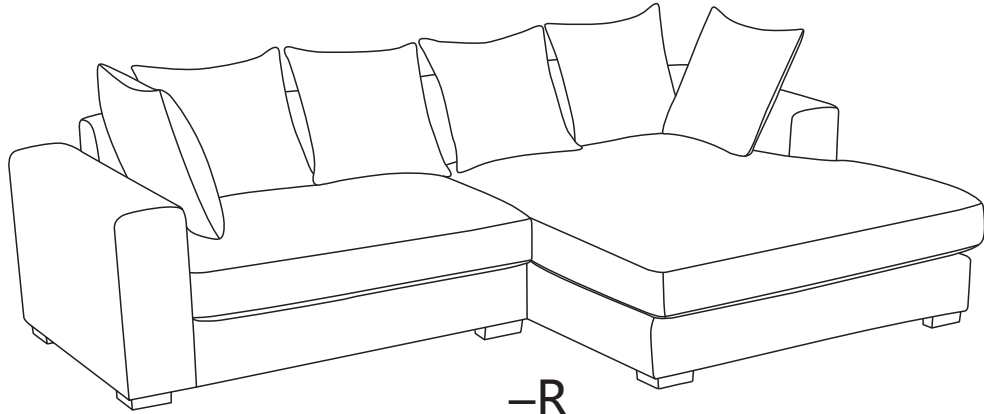


Step2



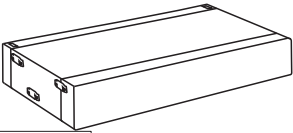
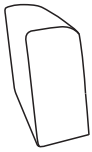
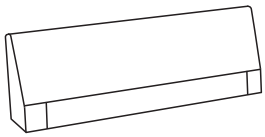

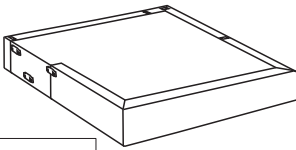

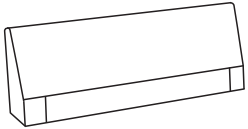

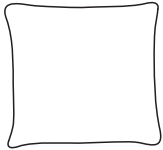
ASSEMBLY INSTRUCTION

ITEM NO.:DV7705/DV7706/DV7707

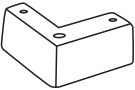
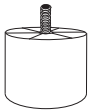

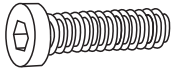





-R

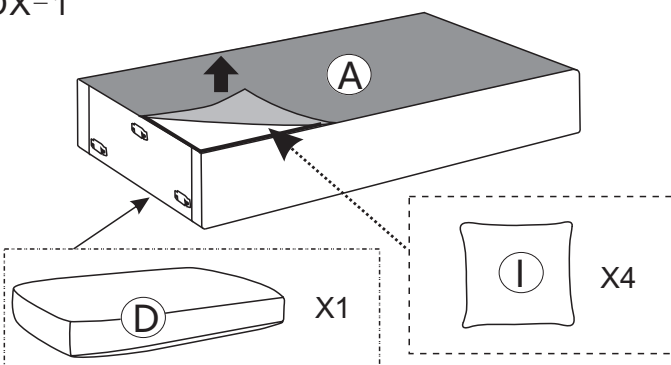
PARTS LIST

				
A X1	B X1	C X1	D X1	E X1
				
F X1	G X1	H X1	I X6	

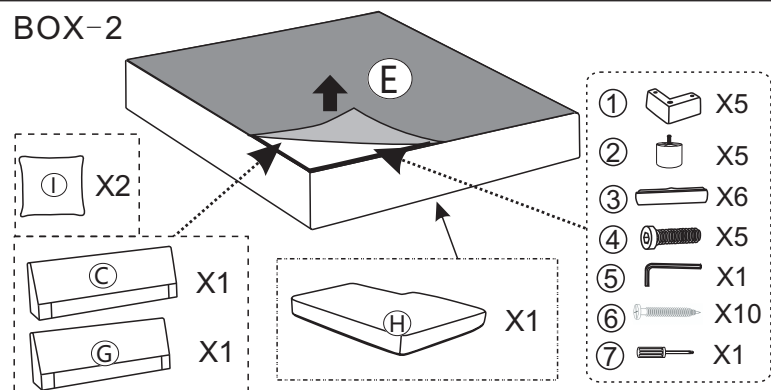
HARDWARE LIST

				
1 X5	2 X5	3 X6	4 X5	5 X1
				
6 X10	7 X1			

BOX-1

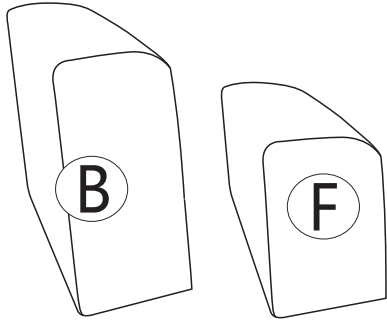


BOX-2

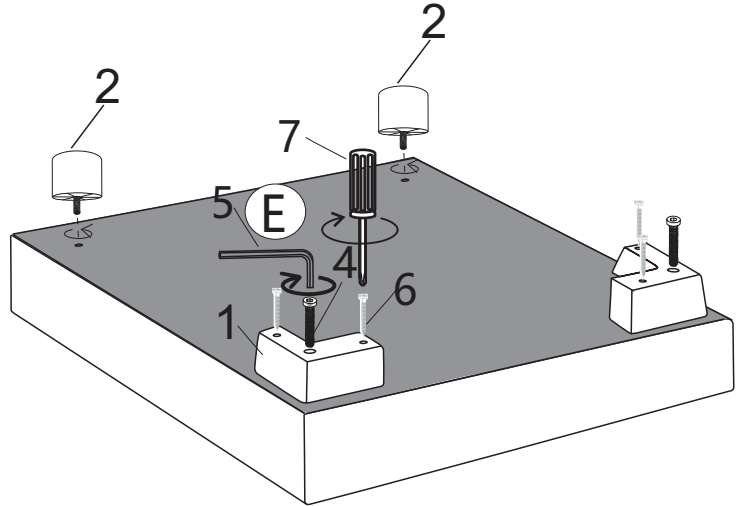
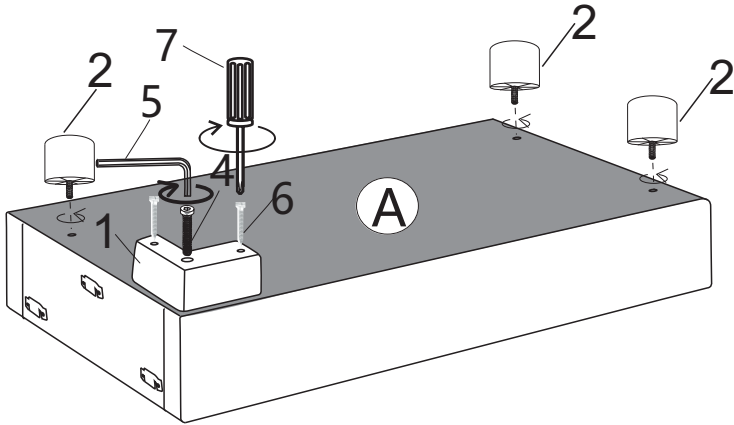
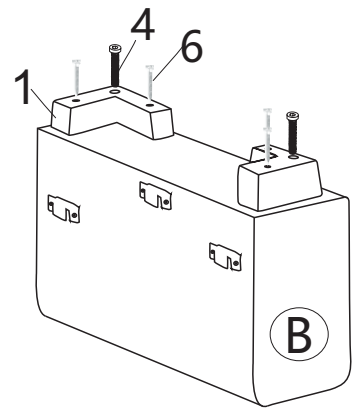


①		X5
②		X5
③		X6
④		X5
⑤		X1
⑥		X10
⑦		X1

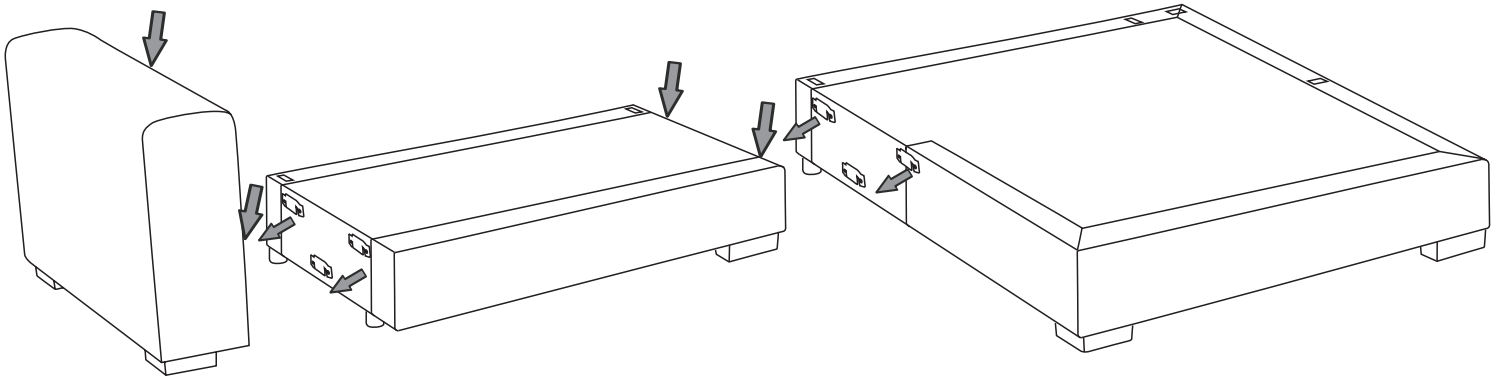
BOX-3



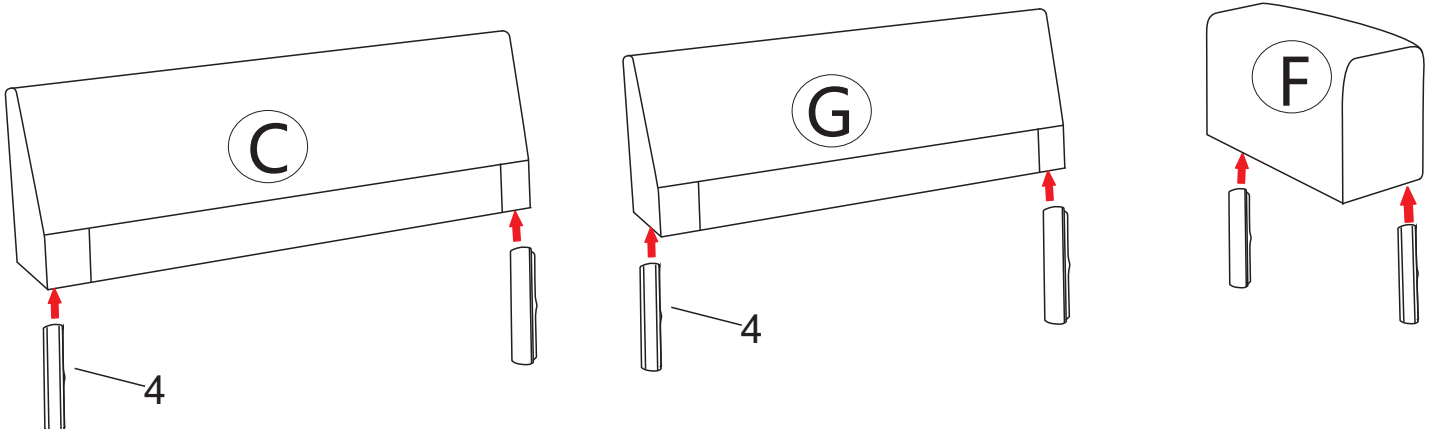
Step1



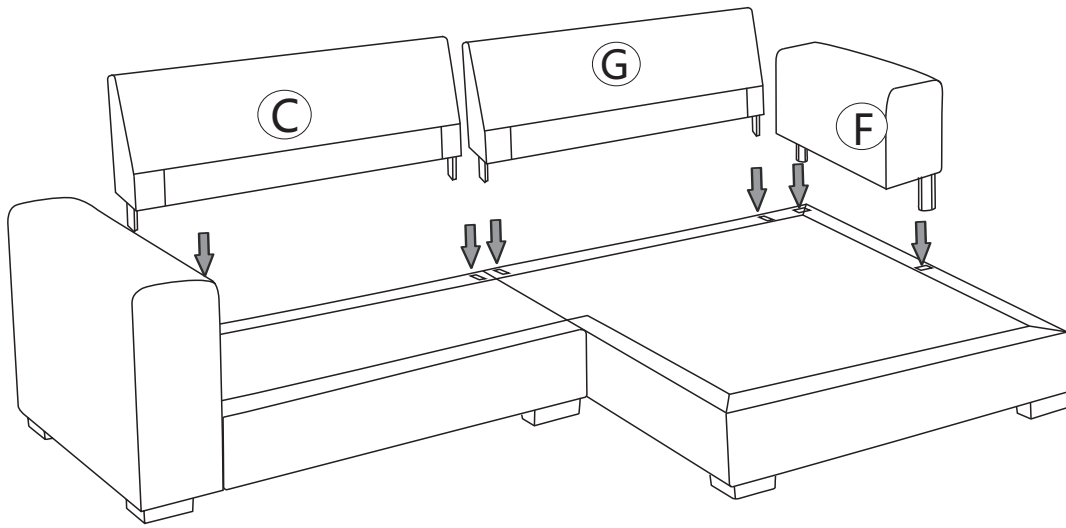
Step2



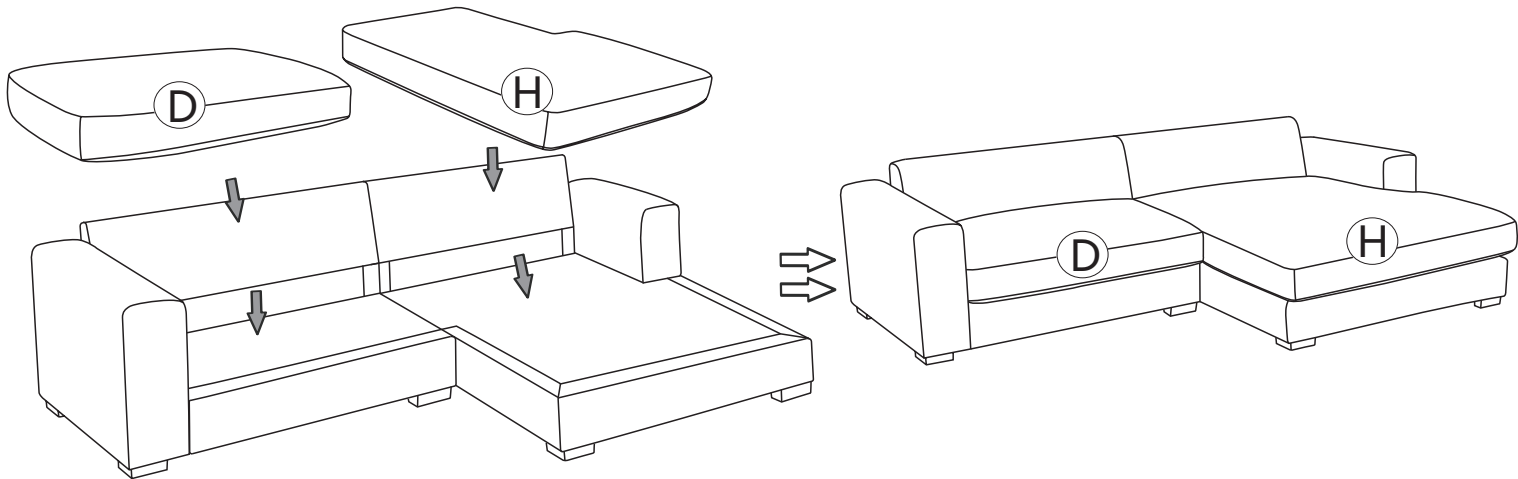
Step3 **Please pay attention to follow this step to assemble!**



Step4



Step5



Step6

