

# Vanity Installation

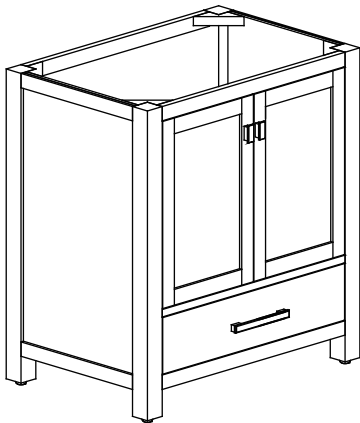
SUGGESTED TOOLS AND MATERIALS / *OUTILS ET MATÉRIAUX PROPOSÉES*



Tape Measure / *Mètre à ruban*

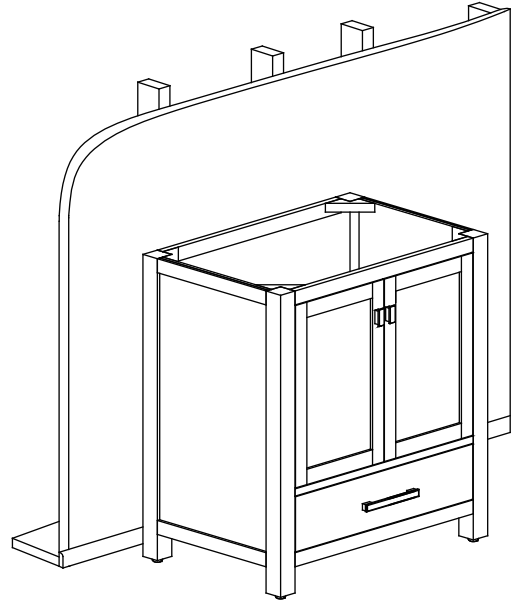
INSTALLATION INSTRUCTIONS / *Les instructions d'installation*

**1**



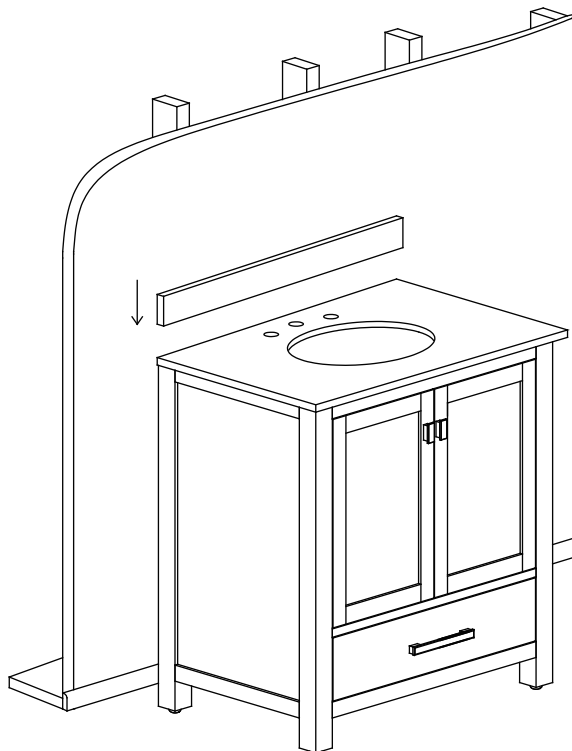
Remove vanity from box and examine vanity for any defects or damage.

**2**



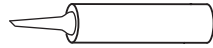
Carefully place vanity against wall.

**3**



Install vanity top according to manufacturer's directions.

## SUGGESTED TOOLS AND MATERIALS



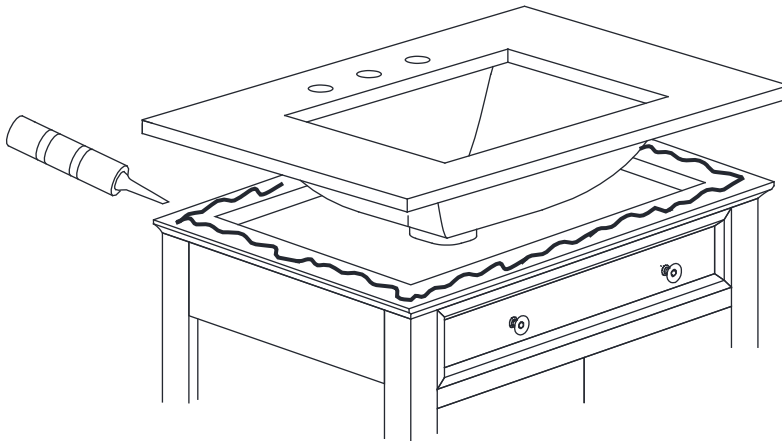
Sealant



Tape Measure

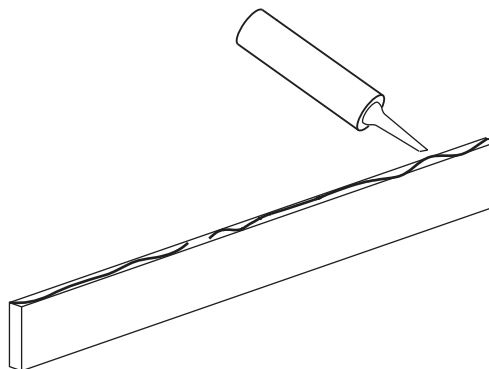
## VANITY TOP INSTALLATION

1



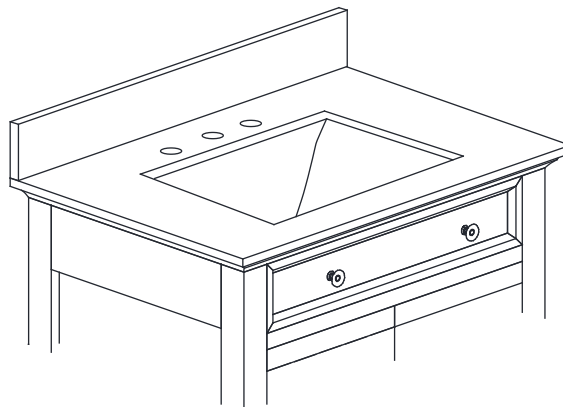
Apply bead of quality sealant evenly along the top of the vanity.

2



Apply silicone sealant evenly along the bottom and backside of back splash.

3



Finally, place the bottom side of back splash with sealant onto the countertop and check alignment of back splash. Adjust the leg levelers as needed