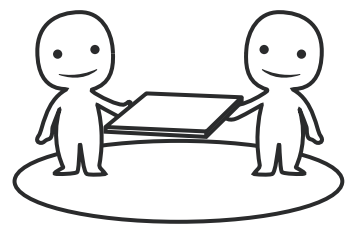
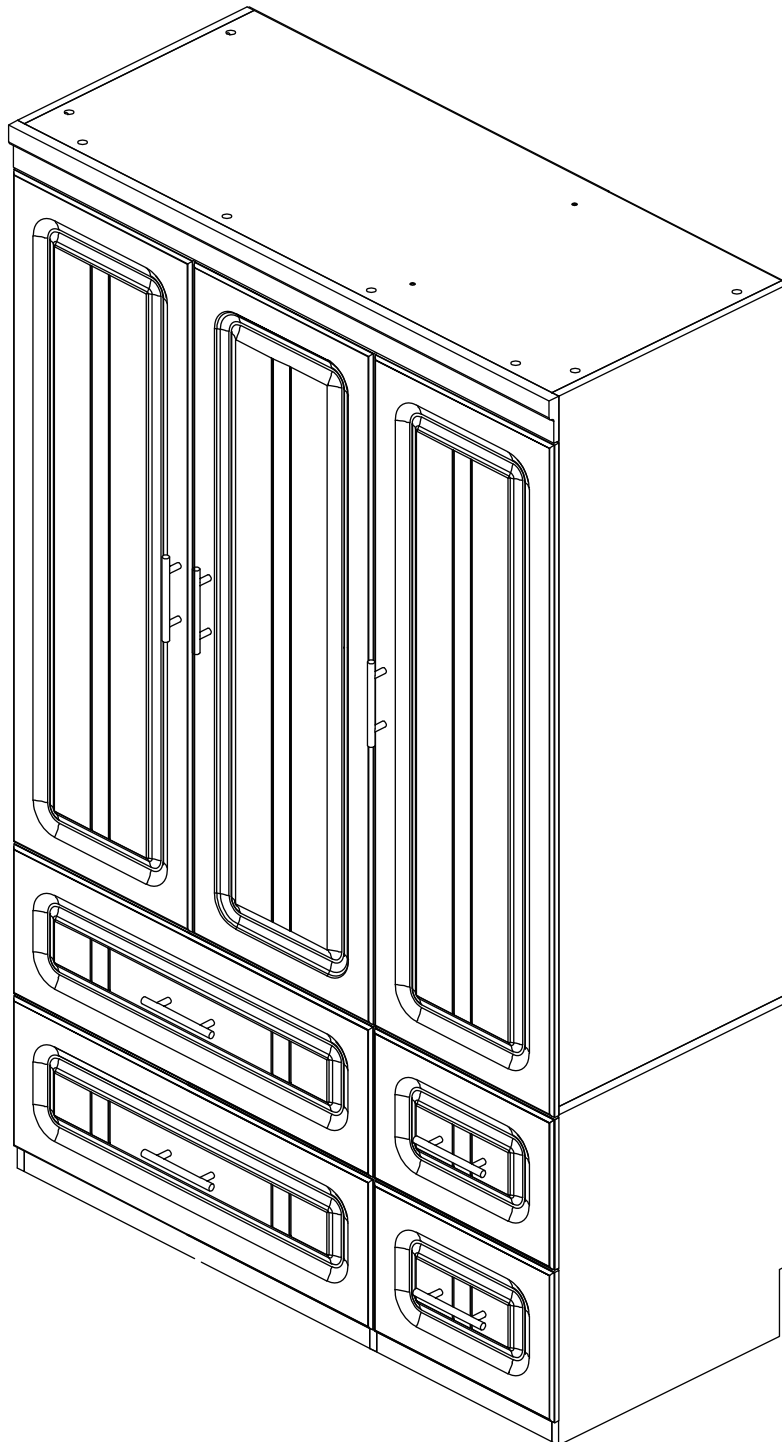
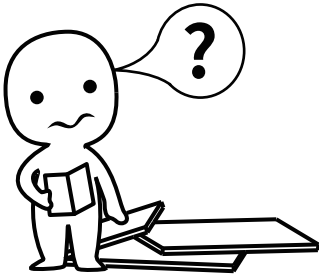


Installation Instructions

Wardrobe

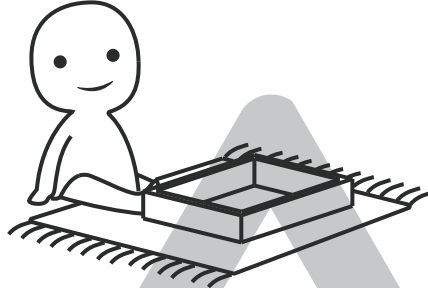
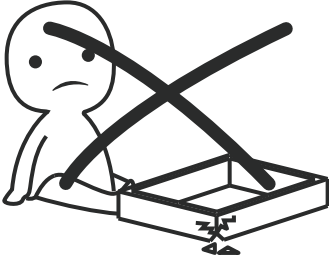


ASSEMBLED BY 2 ADULTS



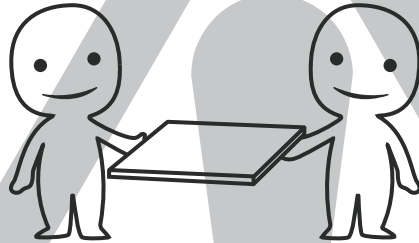
IMPORTANT INFORMATION!

please read the entire manual before starting to assemble and/or using this product. follow the manual thoroughly and keep it for further reference.



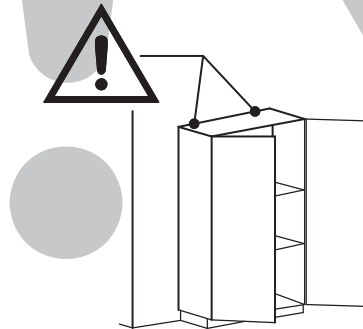
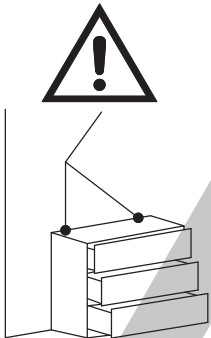
AVOID SCRATCHES!

In order to avoid scratching this furniture should be assembled on a soft layer- could be a rug.



IMPROVE EFFICIENCY !

Try to find a partner to install with you, which can speed up the installation efficiency and shorten the time.



ANTI-TOPPLE WARNING !

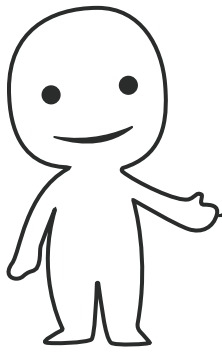
Overturned furniture can cause serious or fatal crush injuries. To prevent tipping over, be sure to use the wall attachment, if not included with this product. Please purchase the wall attachment that fit your wall. If unsure, seek professional advice. Please read and follow each step of the instructions carefully.

IMPORTANT !

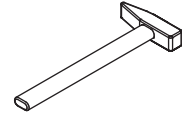
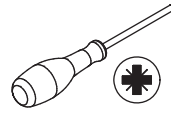
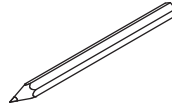
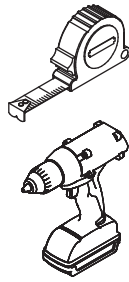
It is important that any product which is assembled using any kind of screw is re-tightened 2 weeks after assembly, and once every 3 months - in order to assure stability through-out the lifespan of the product.

For regular maintenance and cleaning of the product, for the frame, please use a rag dipped in neutral detergent to fully wipe it, and then dry it with a clean rag. For glass materials, wipe with a rag dampened with water glass cleaner, and then dry with a dry rag.







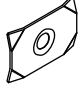




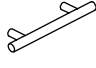




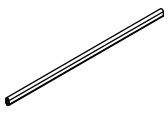

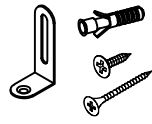
Do not use an electric screwdriver, and do not use too much force when installing, because the board is easy to break.

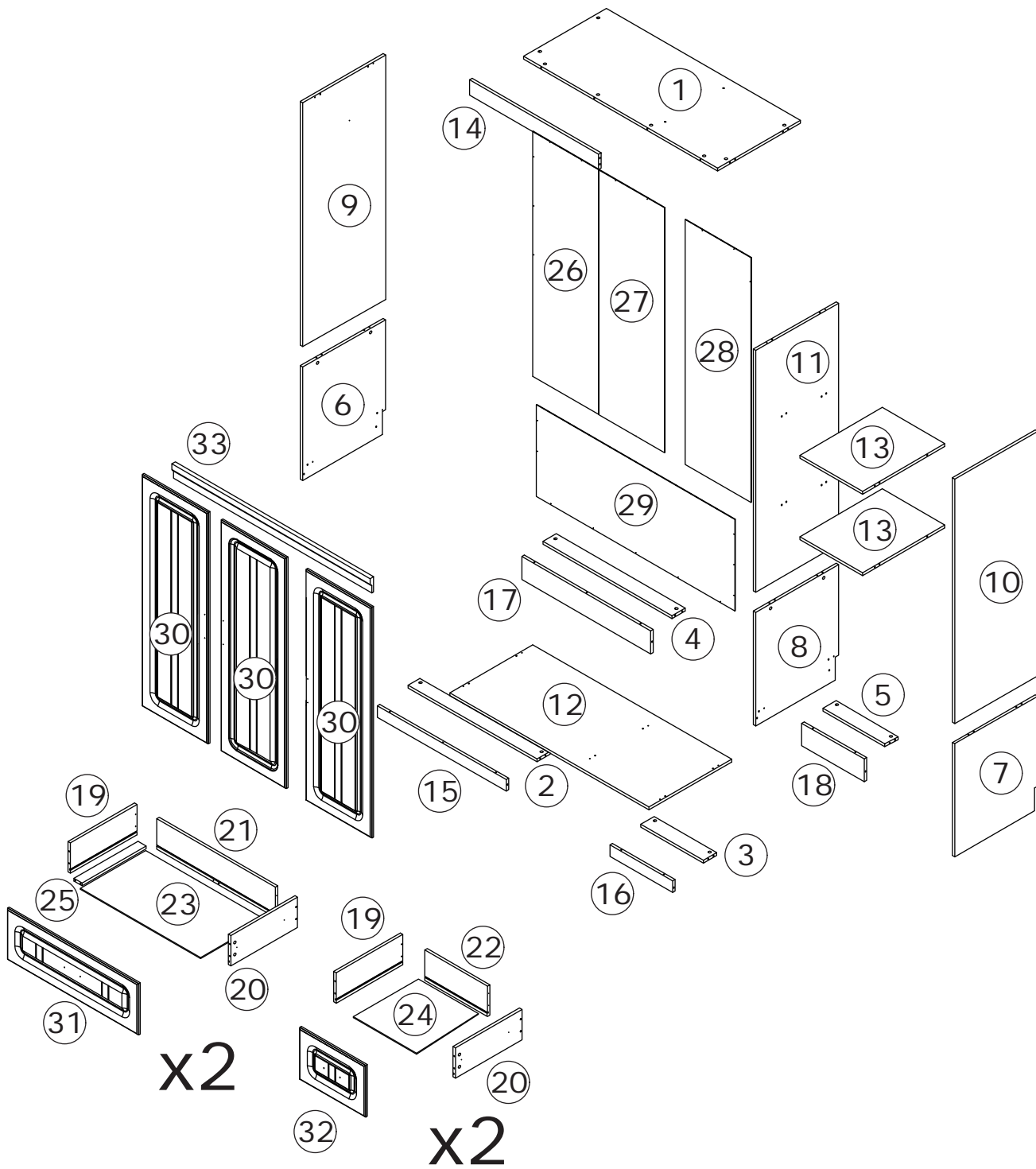


Please prepare the following tools



When installing, please carefully confirm whether each screw corresponds to the manual, accessories with similar shapes can be distinguished by size

<p>A x 62</p>  <p>CRA0635A</p>	<p>B x 62</p>  <p>CRB1595A</p>	<p>C x 52</p>  <p>CRF0830A</p>	<p>D x 8</p>  <p>CRD0440A</p>	<p>E x 16</p>  <p>CRD0430A</p>
<p>F x 34</p>  <p>CRE0312A</p>	<p>G x 11</p>  <p>15.5 x 10 x 1.2 mm</p>	<p>H x 11</p>  <p>CRD0316A</p>	<p>J x 4</p>  <p>DGA861A</p>	<p>K x 2</p>  <p>DGA861B</p>
<p>L x 36</p>  <p>CRD3514A</p>	<p>M x 7</p>  <p>150 mm</p>	<p>N x 14</p>  <p>CRE0418A</p>	<p>P x 8</p>  <p>P2 P1 #4512 14"</p>	<p>Q x 32</p>  <p>CRD3512A</p>
<p>R x 2</p> 	<p>S x 1</p>  <p>770 mm</p>	<p>T x 4</p>  <p>CRD0414A</p>	<p>U x 2</p> 	



! WARNING



Children have died from furniture tipover. To reduce the risk of furniture tipover:

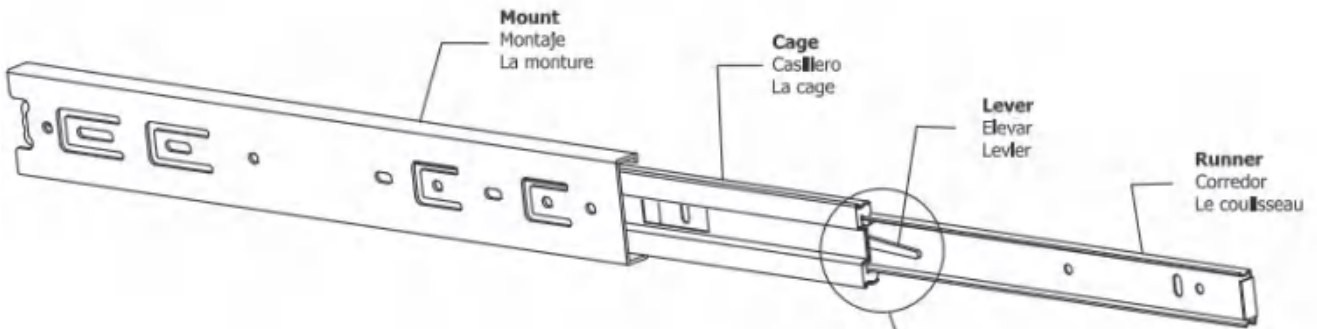
- ALWAYS install tipover restraint provided.
- NEVER put a TV on this product.
- NEVER allow children to stand, climb or hang on drawers, doors, or shelves.
- NEVER open more than one drawer at a time.
- Place heaviest items in the lowest drawers.

*This is a permanent label.
Do not remove!*

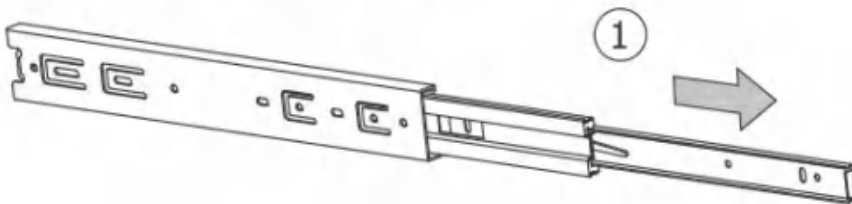
**Slides Must Be Separated Before Assembly.
After Separated, Set Aside Until Needed for Assembly.**

Las diapositivas deben separarse antes del montaje.
Después de la separación, déjelo a un lado hasta que sea necesario.

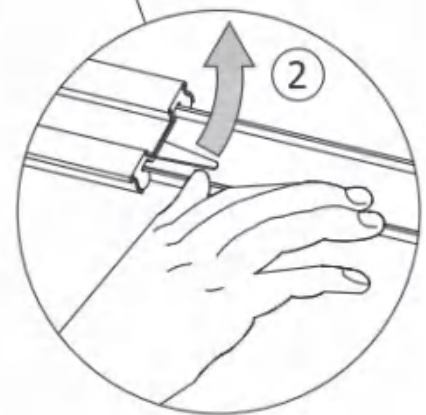
Les glissières doivent être séparées avant l'assemblage.
Après la séparation, mettez de côté jusqu'au moment de l'assemblage.



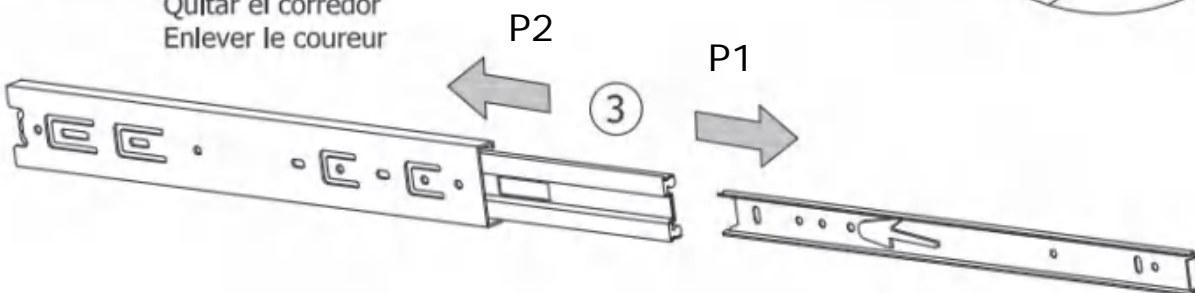
STEP 1: Extend Slide
Extender la diapositiva
Extendre la diapositive



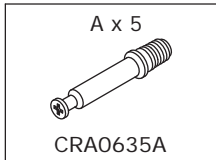
STEP 2: Push Lever UP
Empujar hacia arriba
Lever le levier



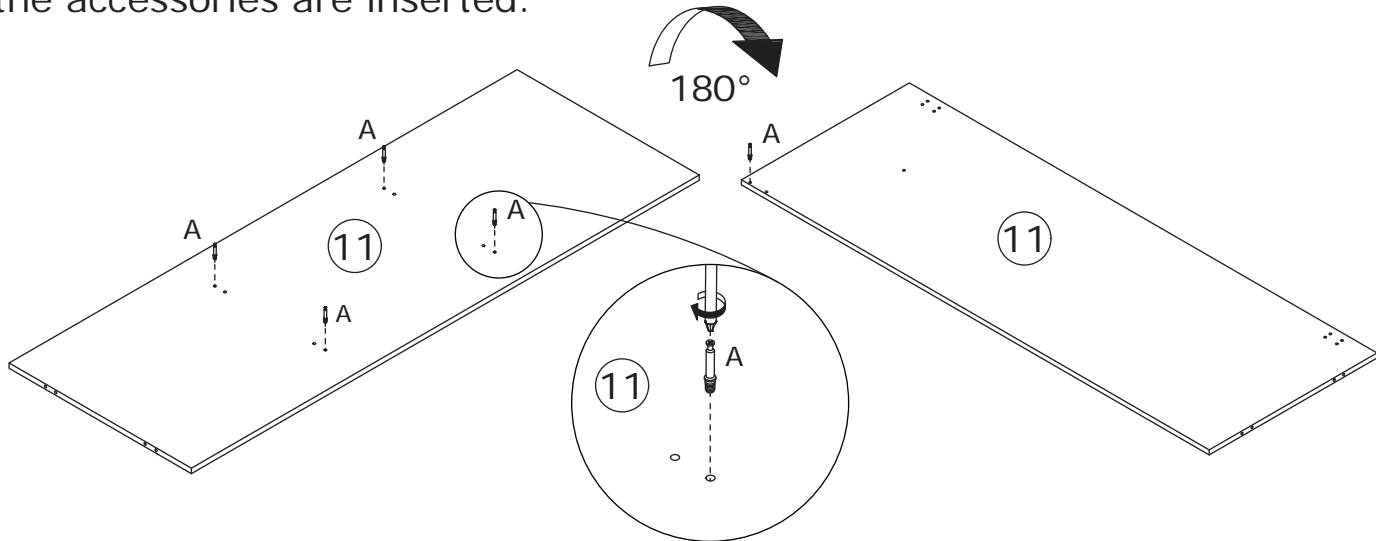
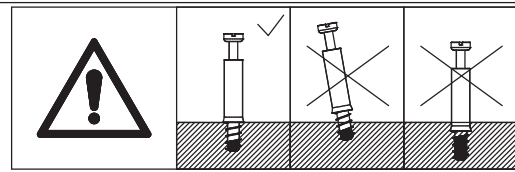
STEP 3: Remove Runner
Quitar el corredor
Enlever le coureur



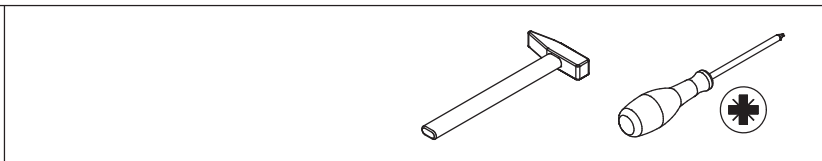
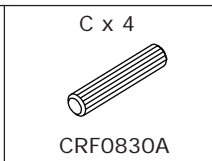
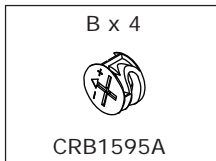
1



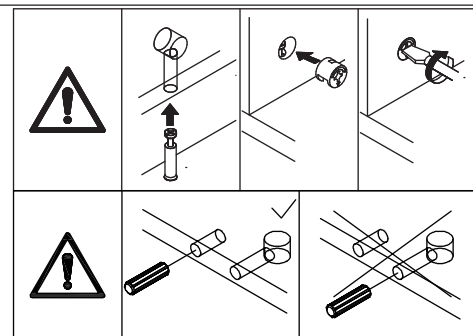
Insert quickfit screw(A) into plate 11 with a screwdriver at first.
Flip the plate, insert quickfit screw(A) as well.
Please pay attention to the holes where the accessories are inserted.



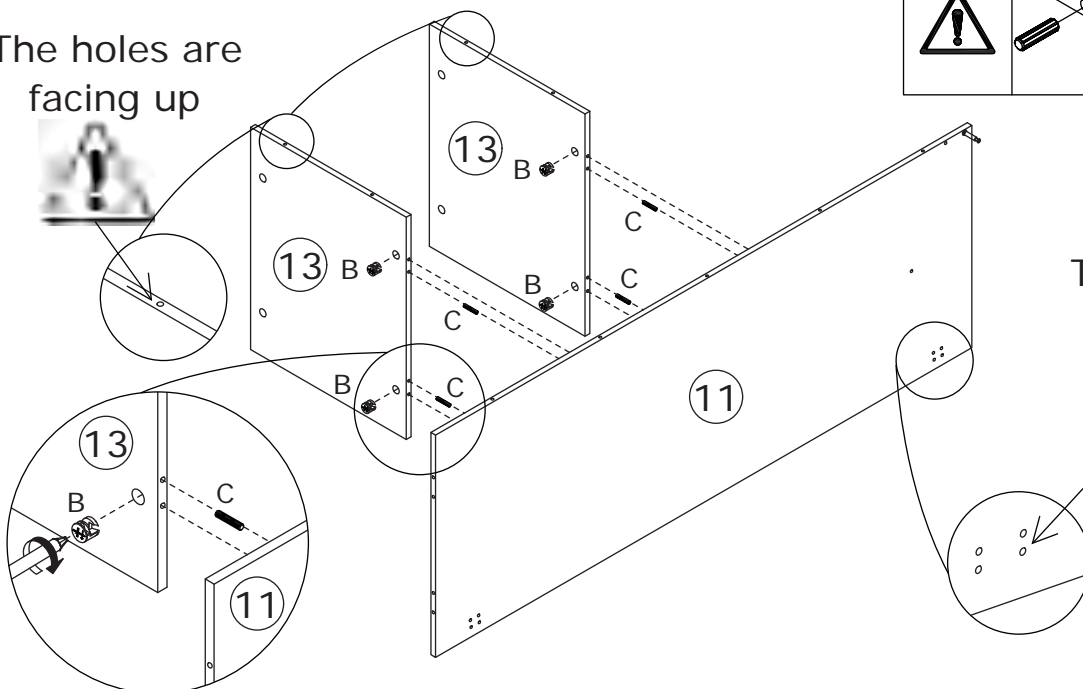
2



Insert wooden dowel(C) into plate 13 at first,
attach to plate 11 as shown.
Put cam lock(B) into holes in plate 13 and turn
clockwise to tighten as shown.



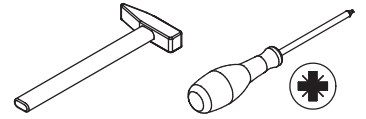
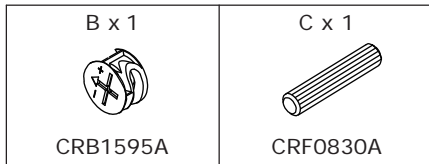
The holes are facing up



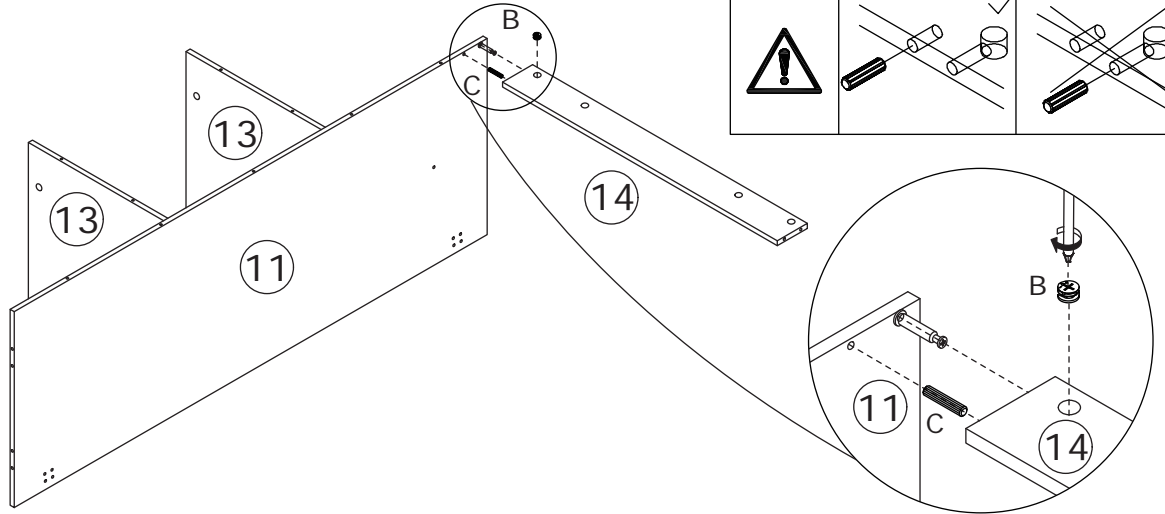
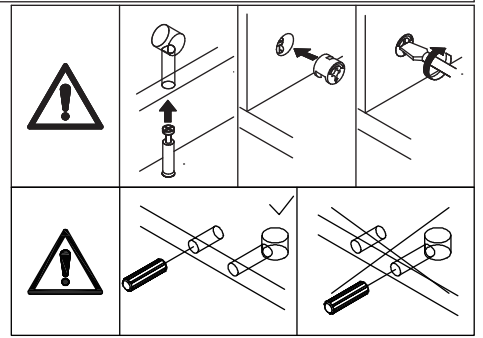
The holes are facing down



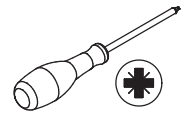
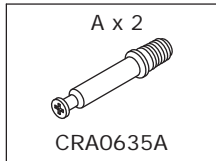
3



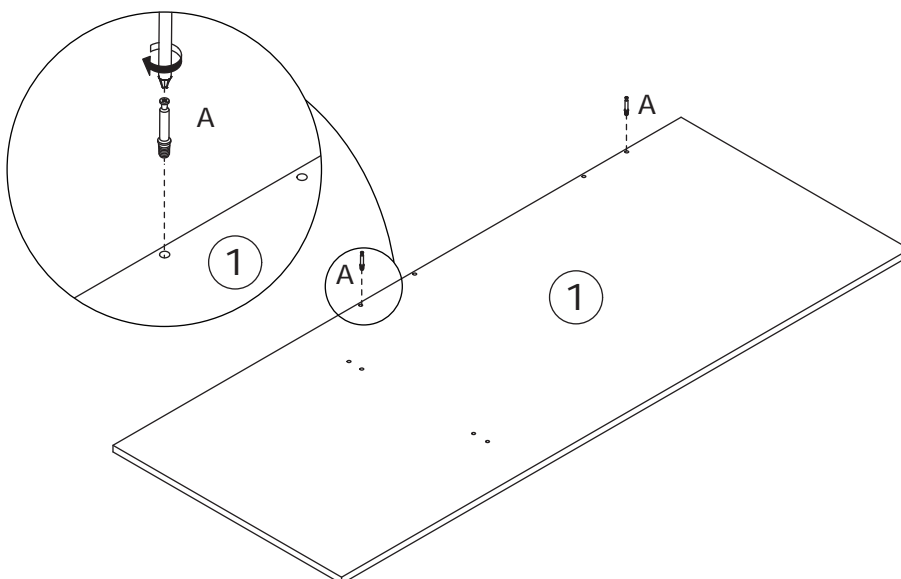
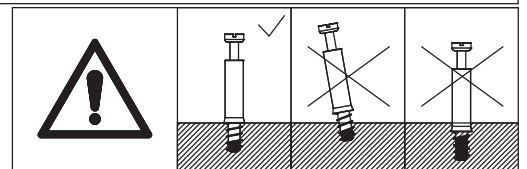
Insert wooden dowel(C) into plate 14 at first, attach to plate 11 as shown. Put cam lock(B) into holes in plate 14 and turn clockwise to tighten as shown.



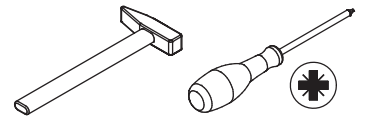
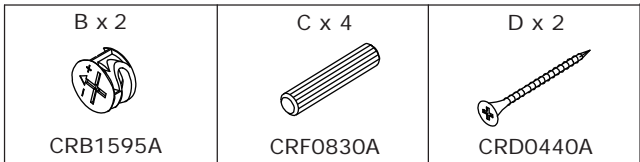
4



Insert quickfit screw(A) into corresponding holes in plate 1 with a screwdriver as shown. Please pay attention to the holes where the accessories are inserted.

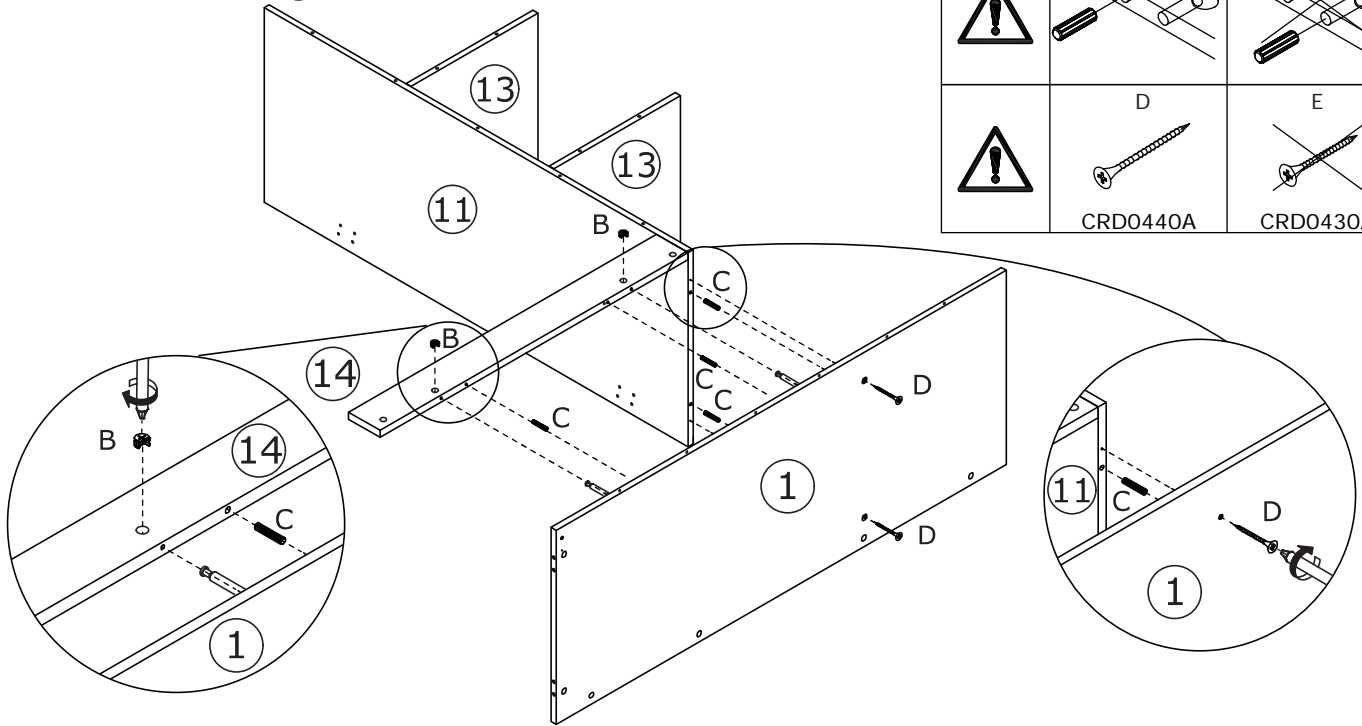
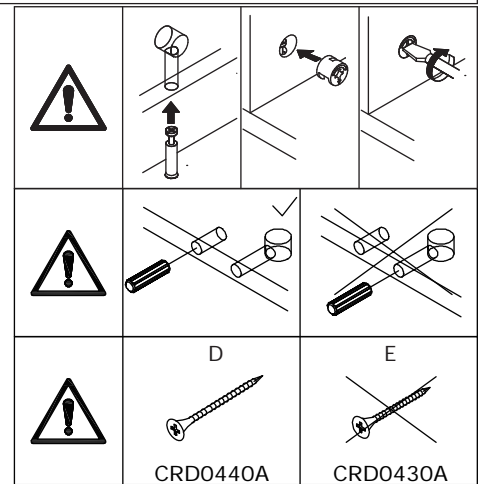


5

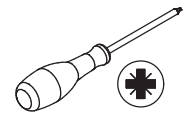
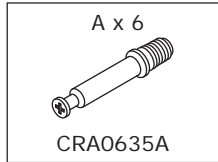


Insert wooden dowel(C) into plate 11 and 14 at first, attach plate 1 and fix with screw(D) as shown.

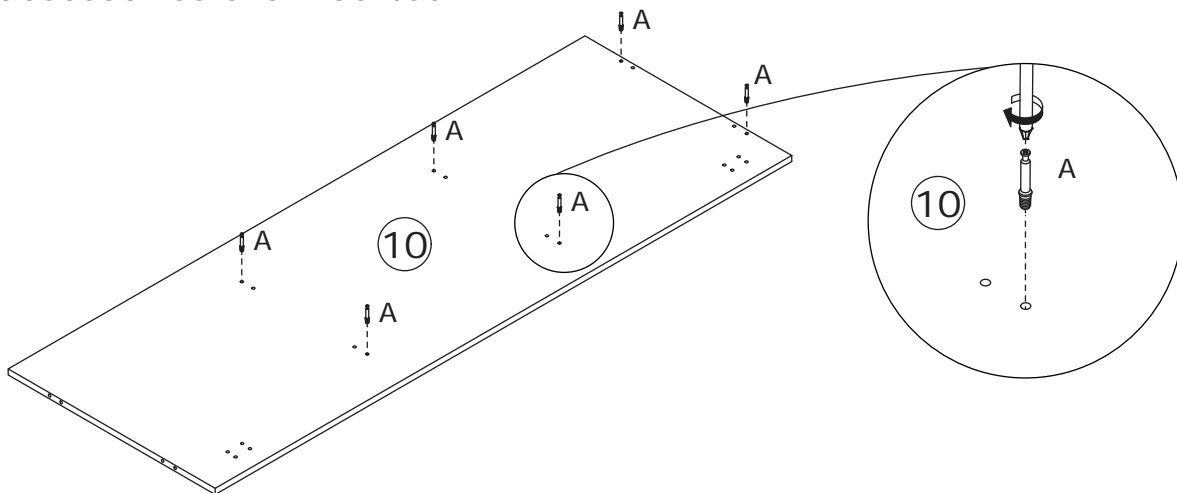
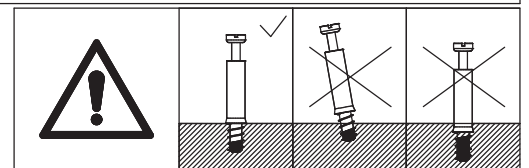
Put cam lock(B) into holes in plate 14 and turn clockwise to tighten as shown.



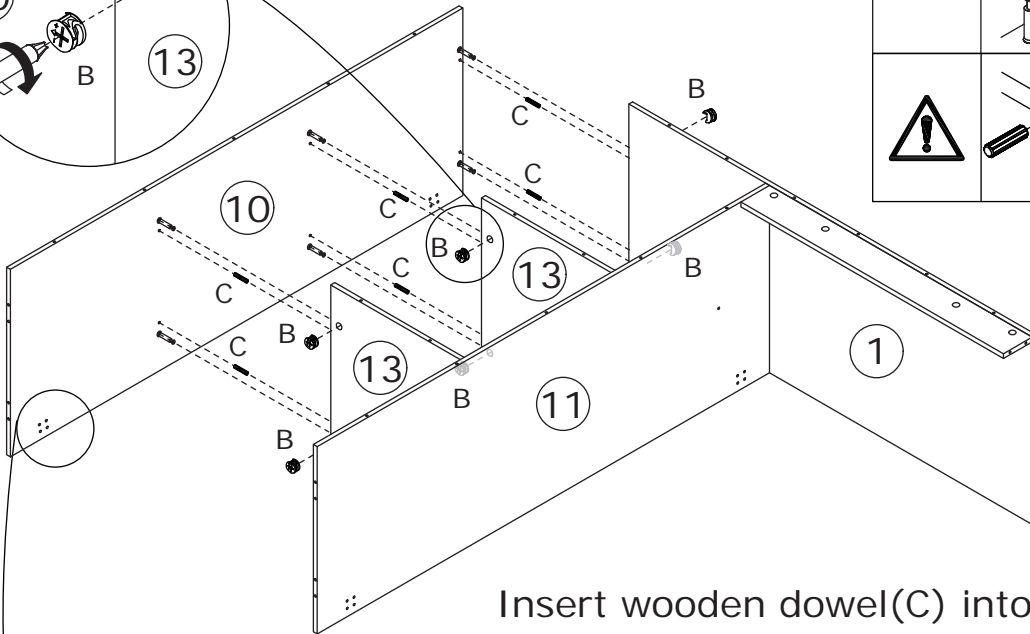
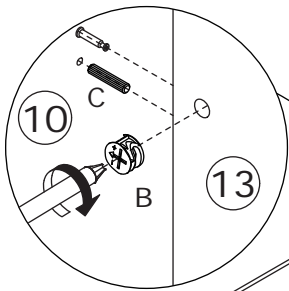
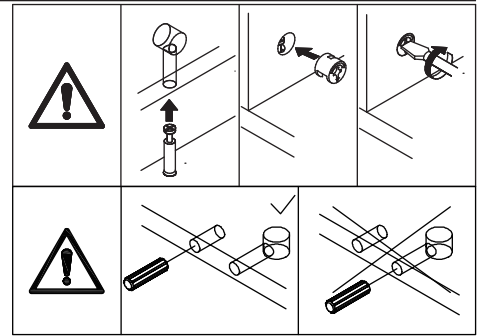
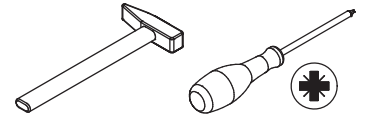
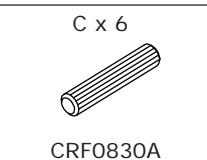
6



Insert quickfit screw(A) into corresponding holes in plate 10 with a screwdriver as shown. Please pay attention to the holes where the accessories are inserted.



7

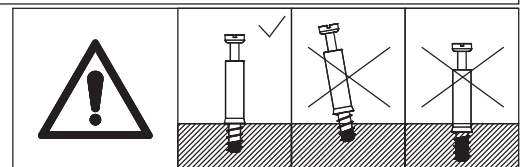
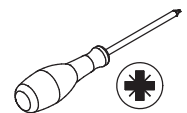
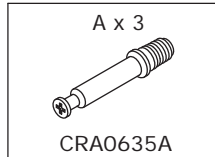


The holes are facing down

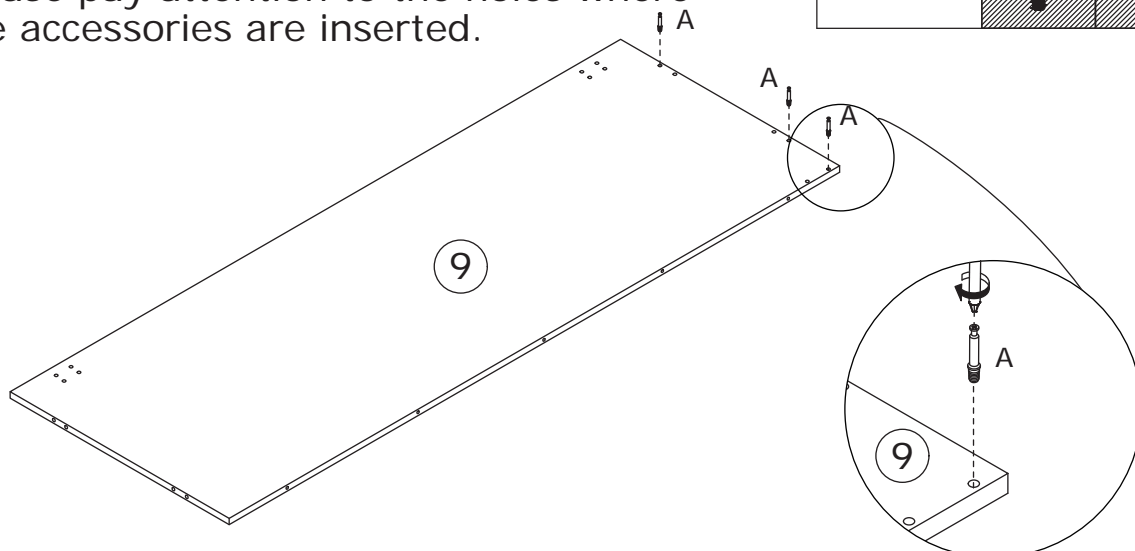


Insert wooden dowel(C) into plate 1 and 13 at first, attach plate 10 as shown. Put cam lock(B) into holes in plate 1,13 and turn clockwise to tighten as shown.

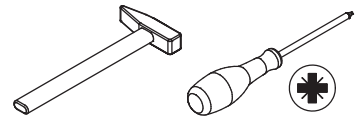
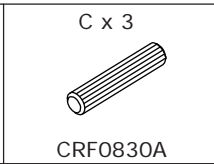
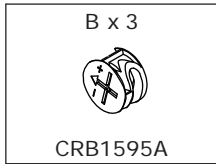
8



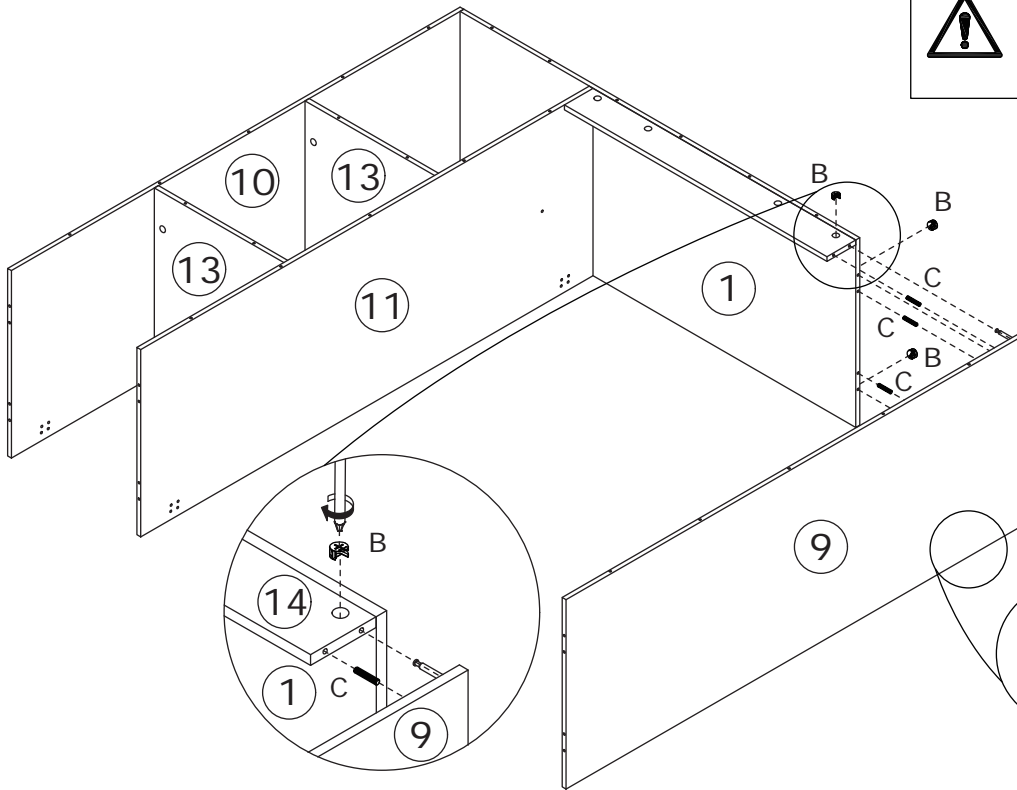
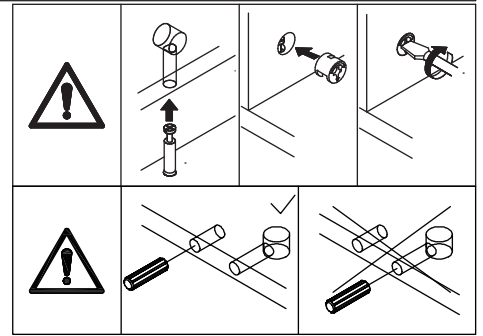
Insert quickfit screw(A) into corresponding holes in plate 9 with a screwdriver as shown. Please pay attention to the holes where the accessories are inserted.



9



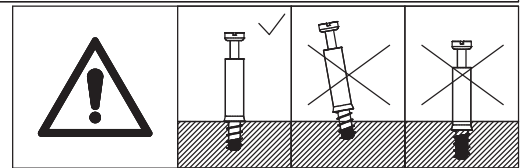
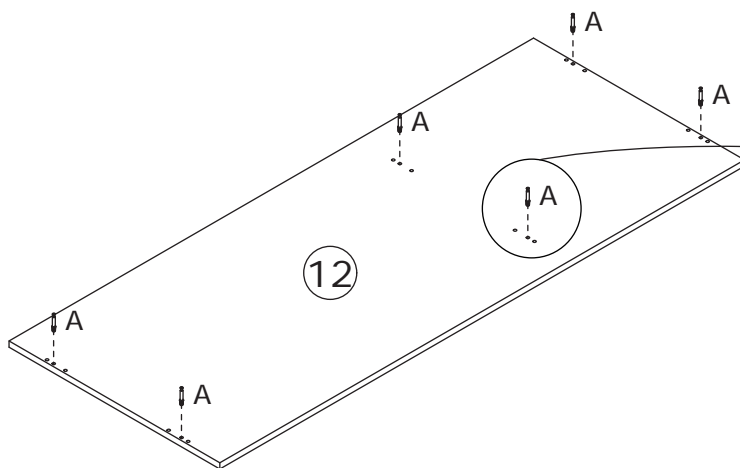
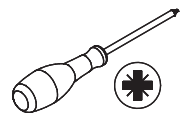
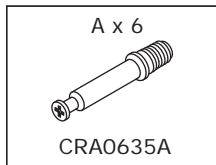
Insert wooden dowel(C) into plate 1 and 14 at first, attach plate 9 as shown.
Put cam lock(B) into holes in plate 1,14 and turn clockwise to tighten as shown.



The holes are facing down

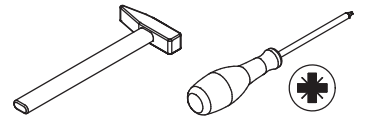
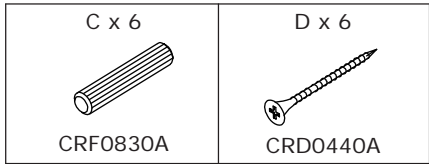


10



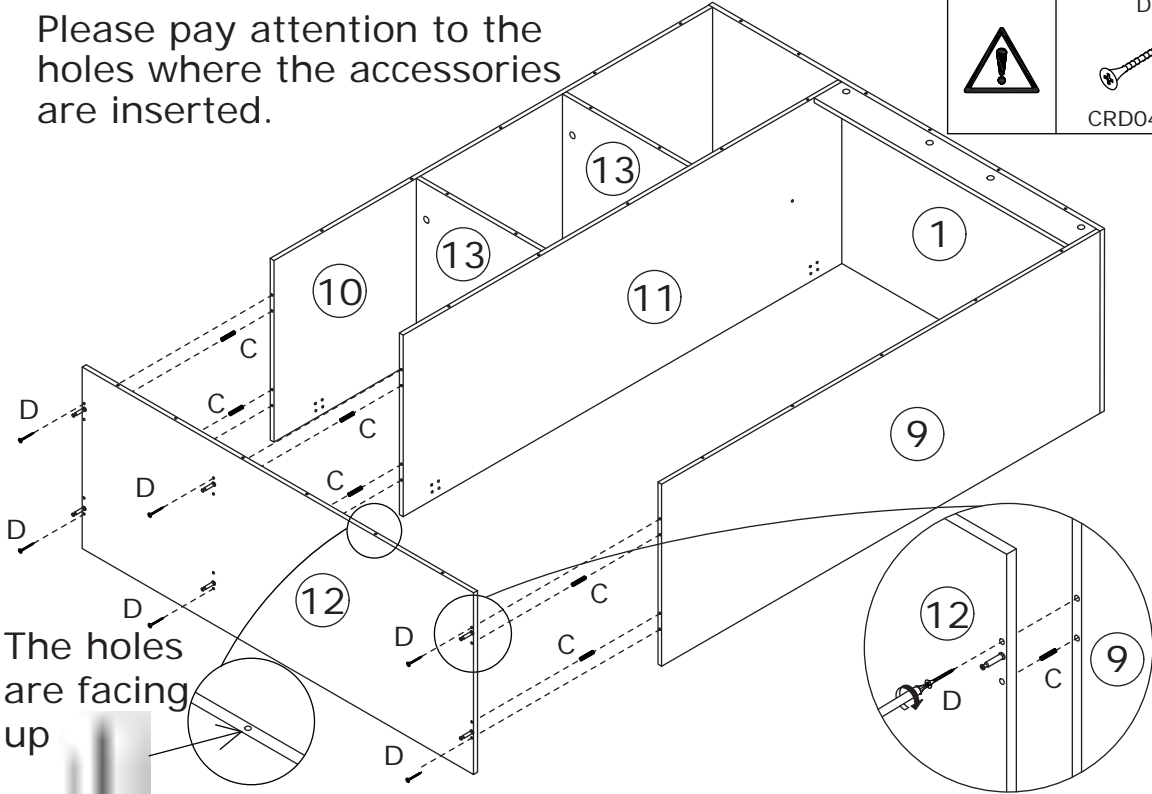
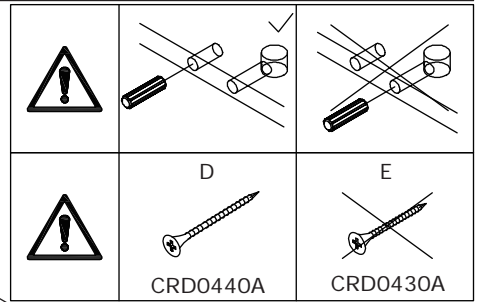
Insert quickfit screw(A) into corresponding holes in plate 12 with a screwdriver as shown. Please pay attention to the holes where the accessories are inserted.

11



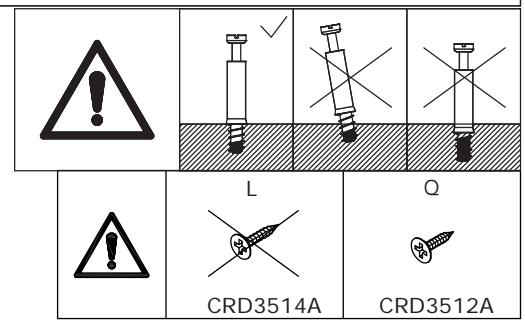
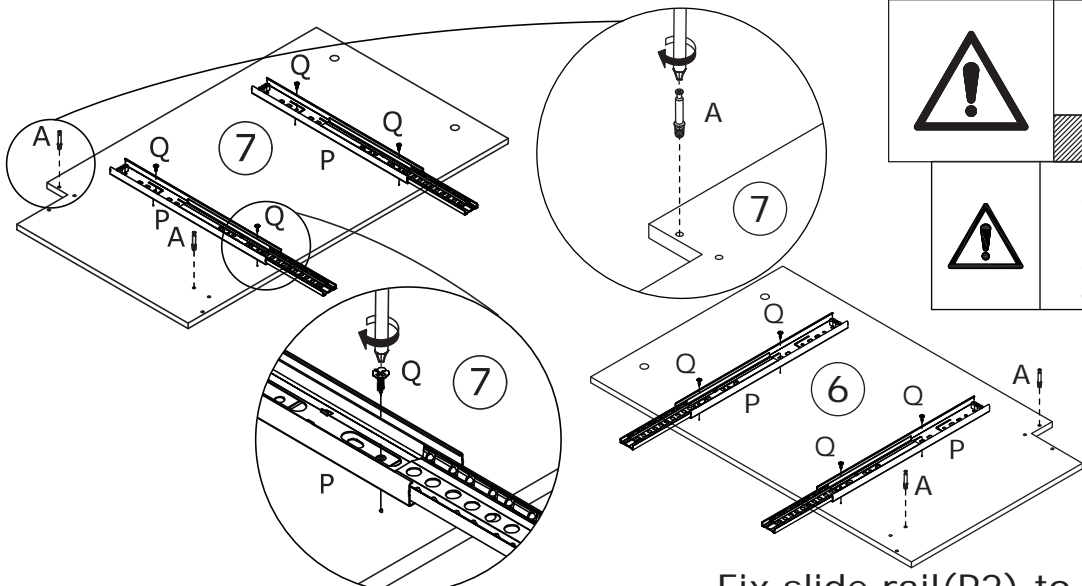
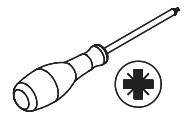
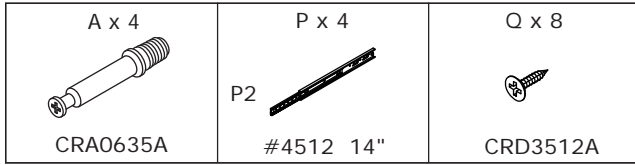
Insert wooden dowel(C) into plate 10,11 and 9 at first, attach plate 12 and fix with screw(D) as shown.

Please pay attention to the holes where the accessories are inserted.



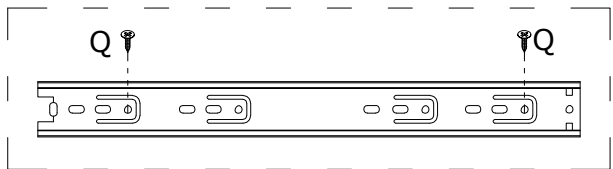
The holes are facing up

12

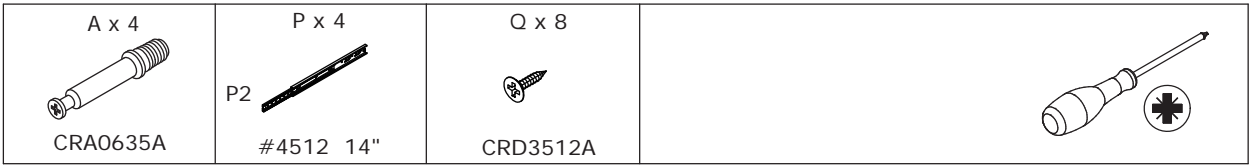


Please pay attention to the holes where the accessories are inserted.

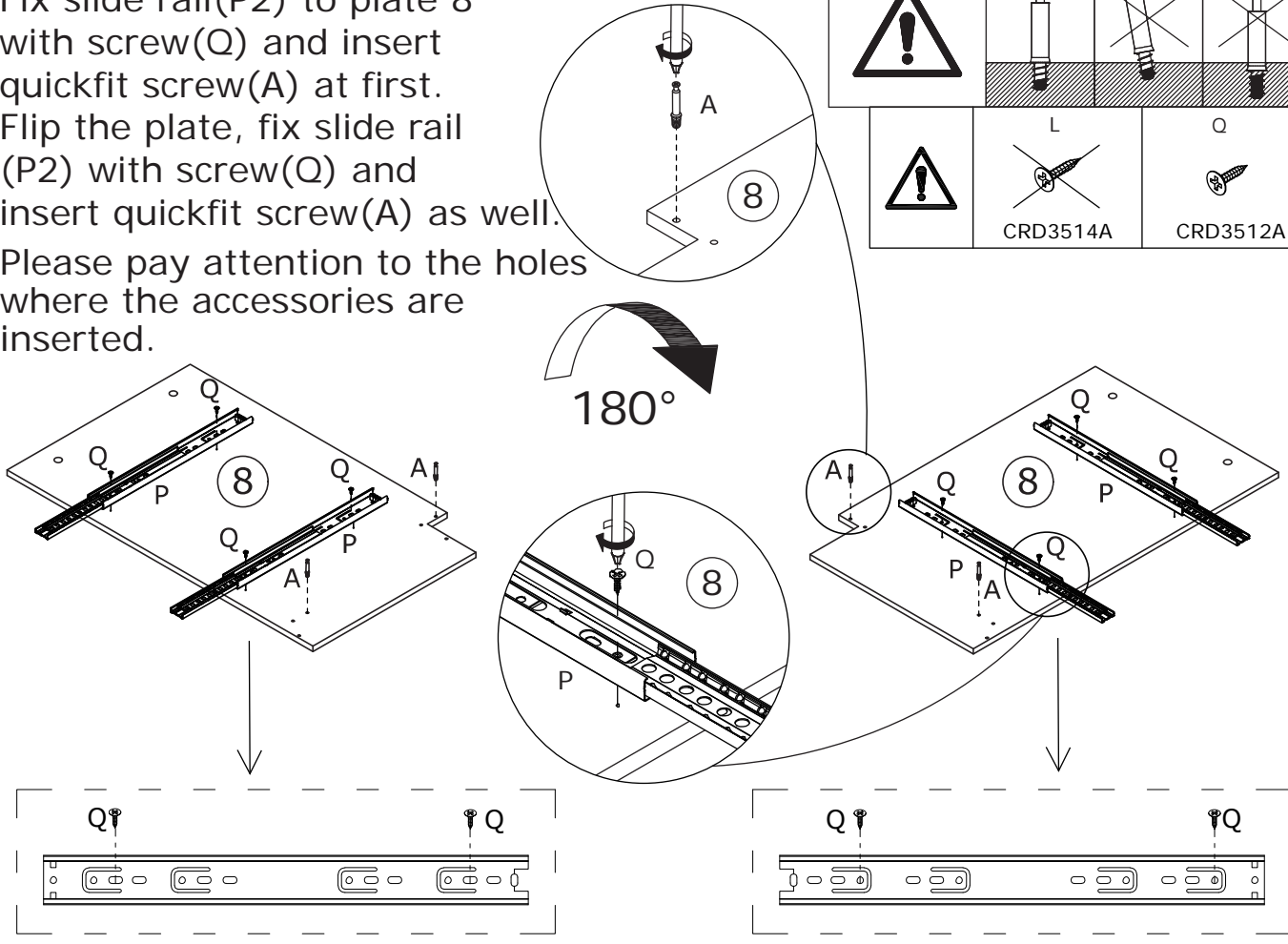
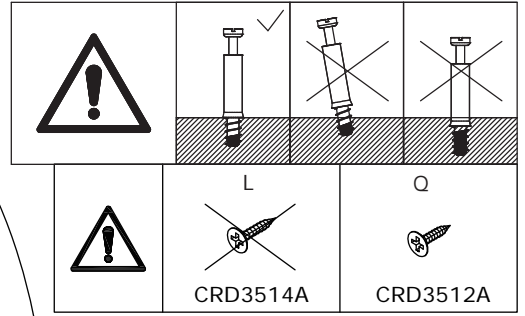
Fix slide rail(P2) to plate 6 and 7 with screw(Q) as shown. Insert quickfit screw(A) into plate 6 and 7 as shown.



13



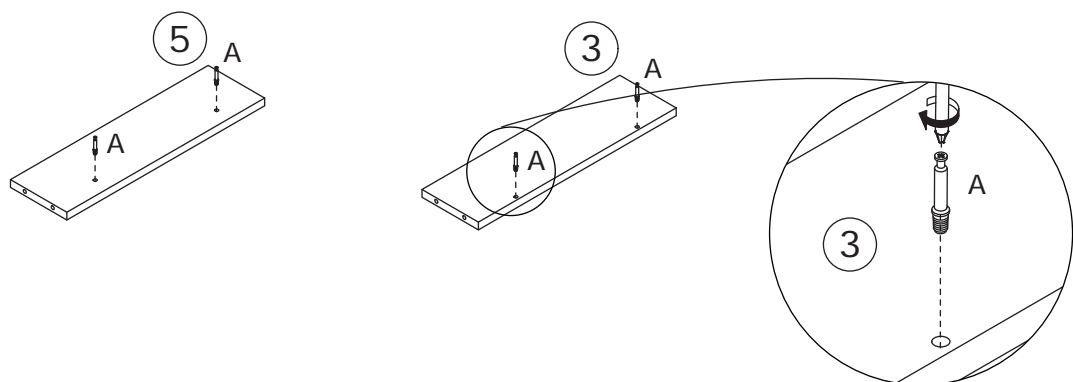
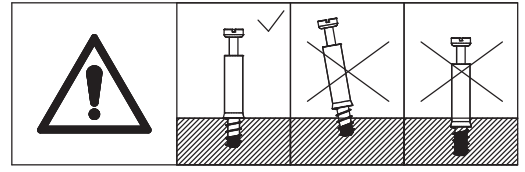
Fix slide rail(P2) to plate 8 with screw(Q) and insert quickfit screw(A) at first. Flip the plate, fix slide rail (P2) with screw(Q) and insert quickfit screw(A) as well. Please pay attention to the holes where the accessories are inserted.



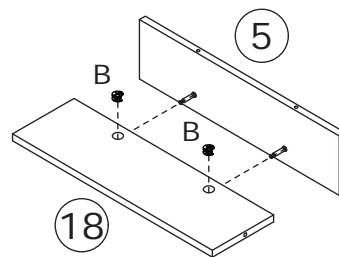
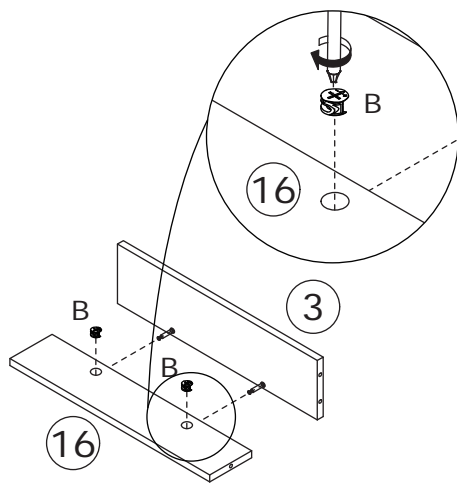
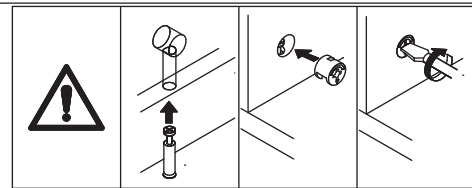
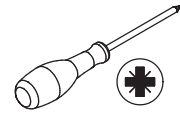
14



Insert quickfit screw(A) into plate 3 and 5 with a screwdriver as shown.

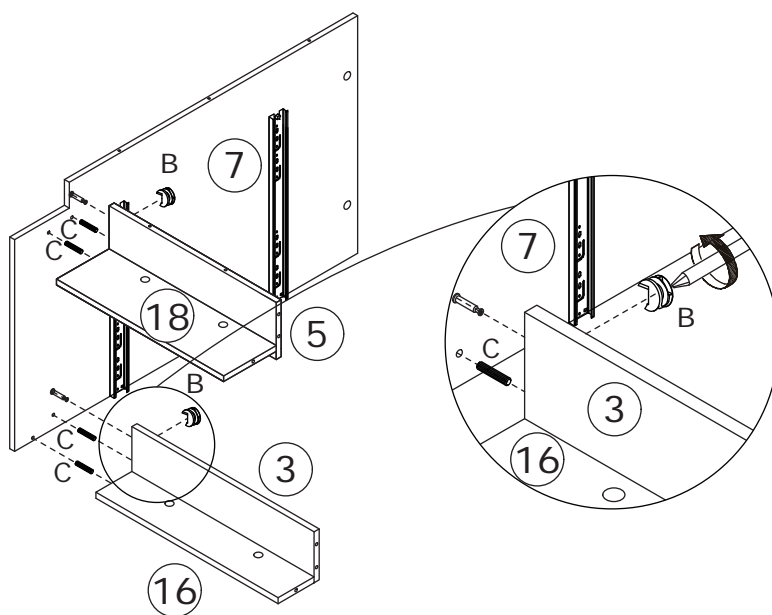
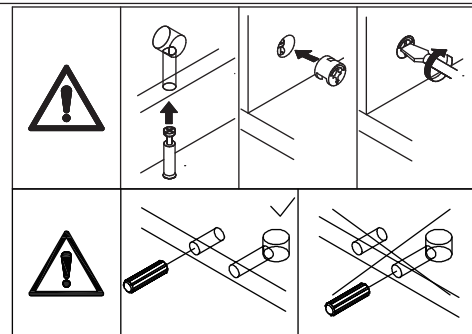
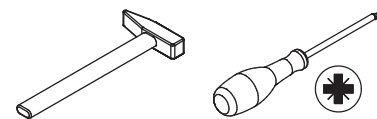
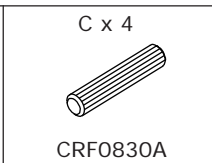
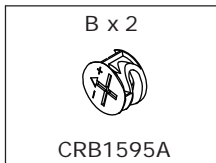


15



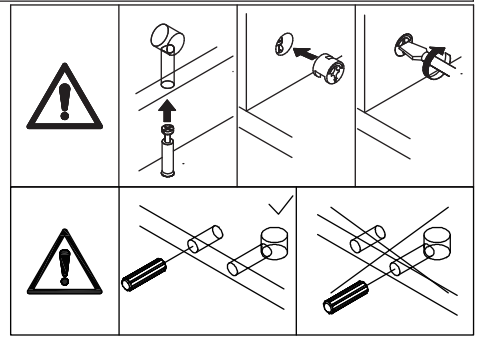
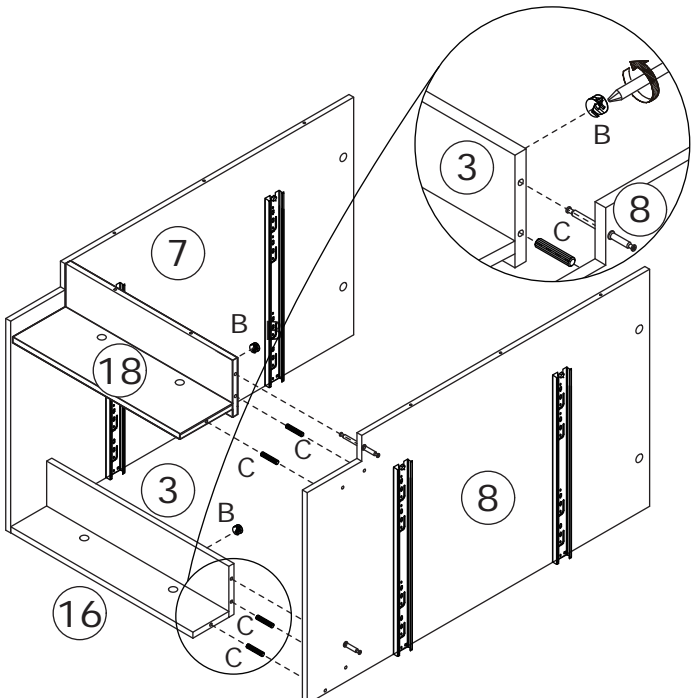
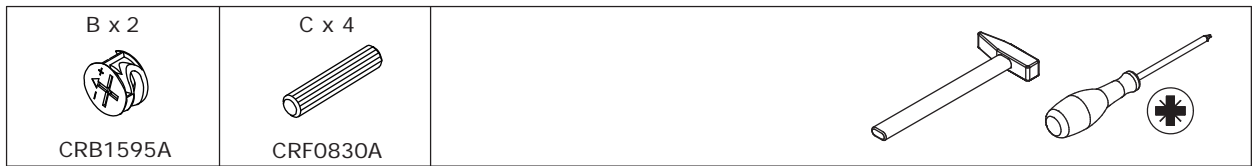
Attach plate 3 to plate 16, plate 5 to plate 18, then turn cam lock(B) clockwise to tighten as shown.

16



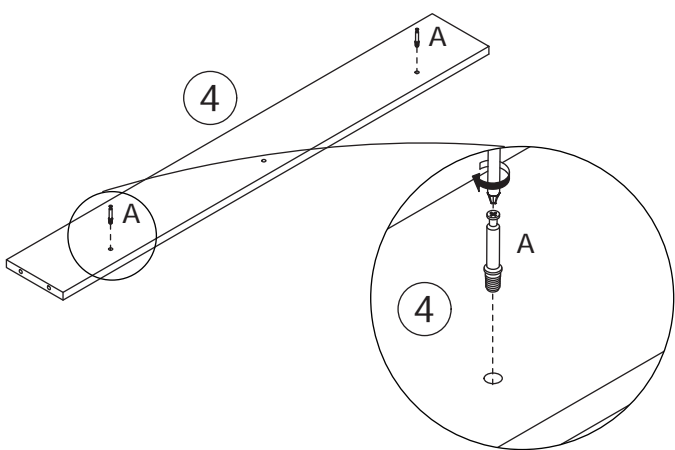
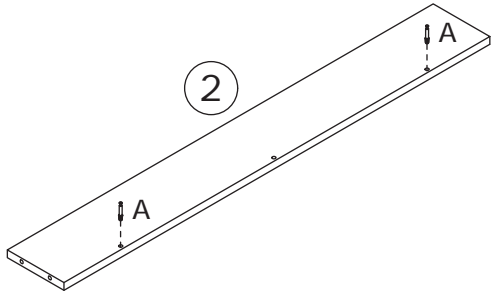
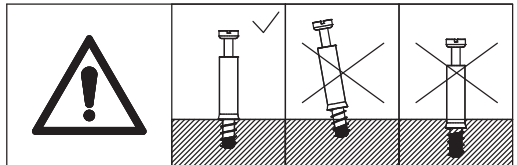
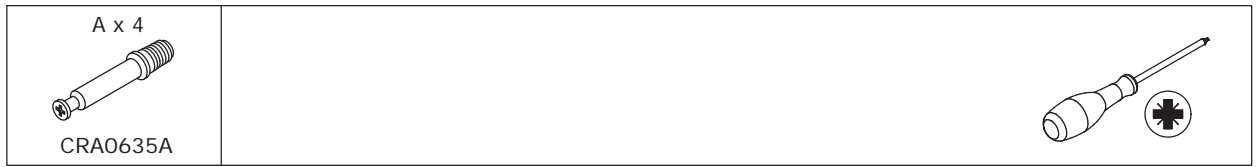
Insert wooden dowel(C) into plate 5,18,3 and 16 at first, attach to plate 7 as shown.
Put cam lock(B) into holes in plate 3,5 and turn clockwise to tighten as shown.

17



Insert wooden dowel(C) into plate 5,18,3 and 16 at first, attach to plate 8 as shown.
 Put cam lock(B) into holes in plate 3,5 and turn clockwise to tighten as shown.

18

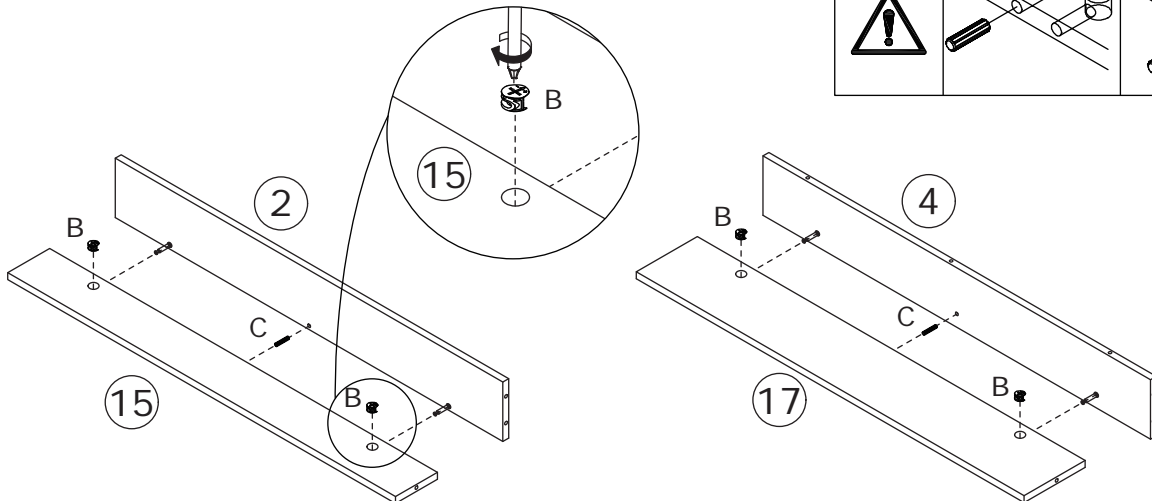
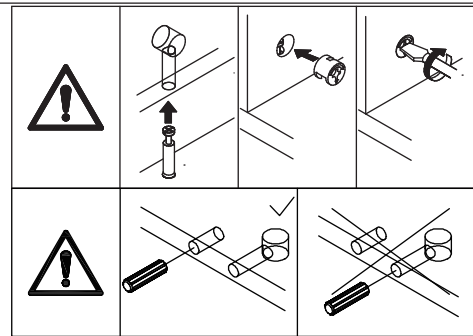


Insert quickfit screw(A) into plate 2 and 4 with a screwdriver as shown.

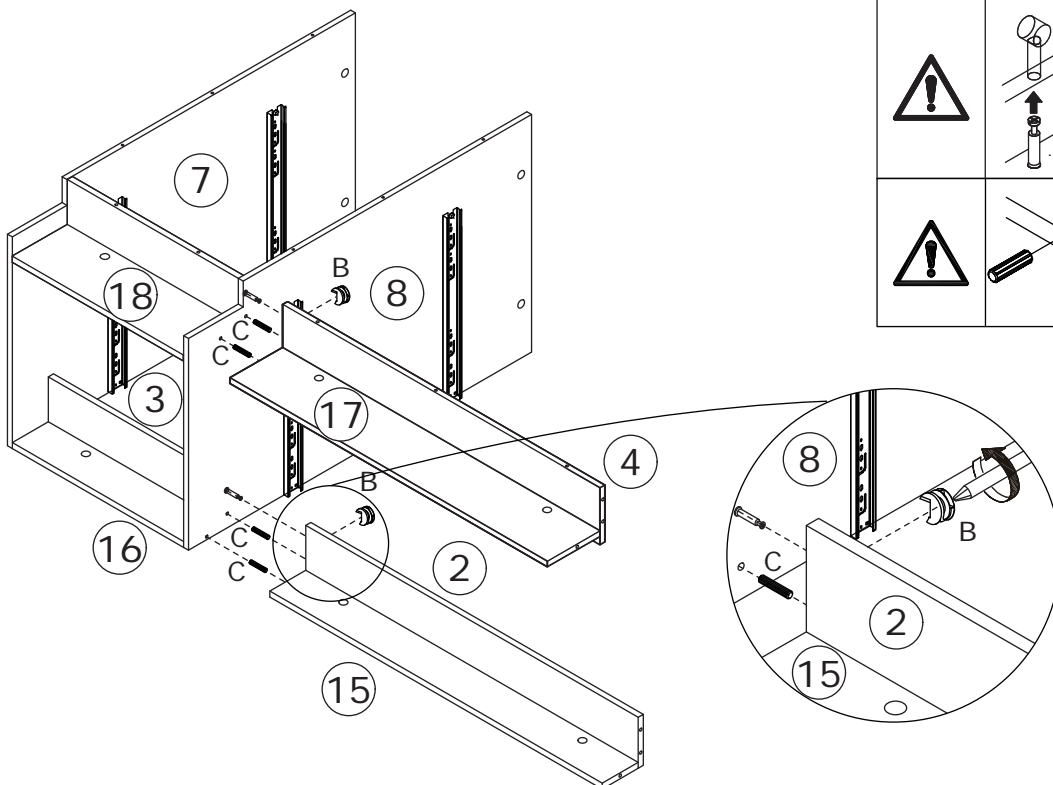
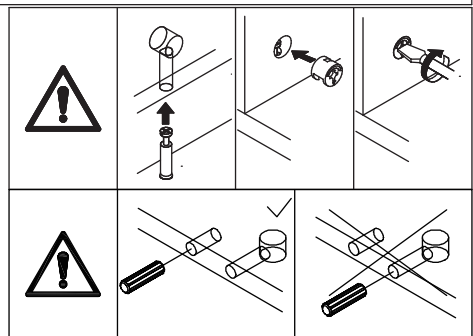
19



Attach plate 2 to plate 15, plate 4 to plate 17, then turn cam lock(B) clockwise to tighten as shown.


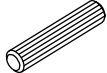


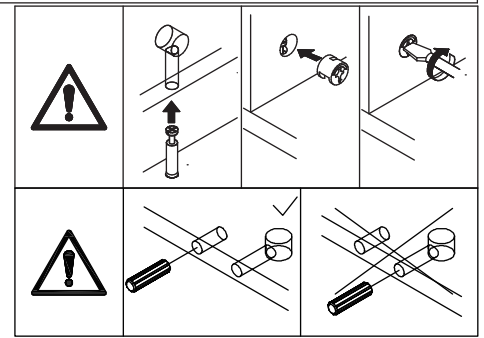
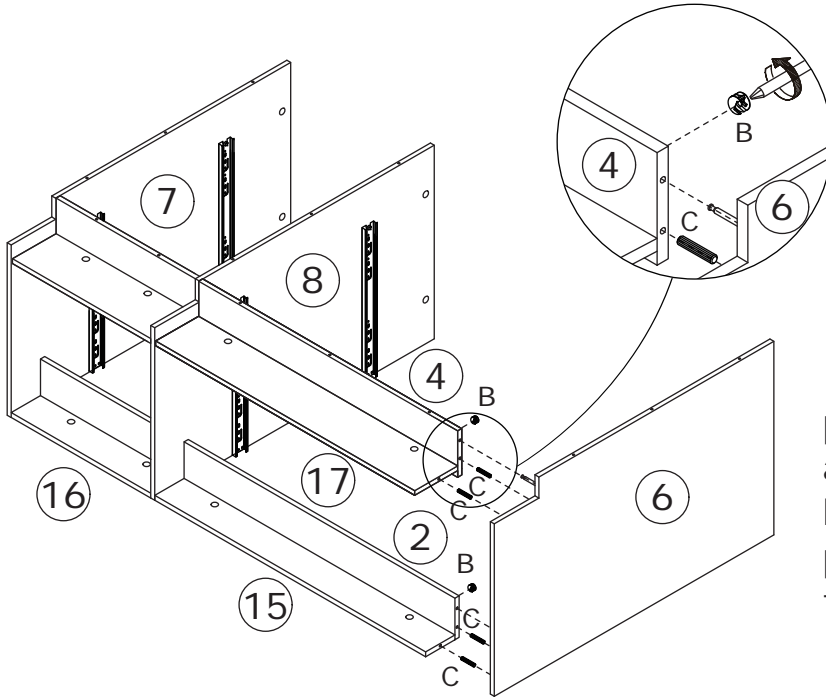
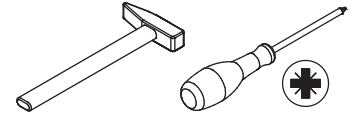
20



Insert wooden dowel(C) into plate 4,17,2 and 15 at first, attach to plate 8 as shown.
Put cam lock(B) into holes in plate 2,4 and turn clockwise to tighten as shown.


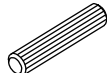
21

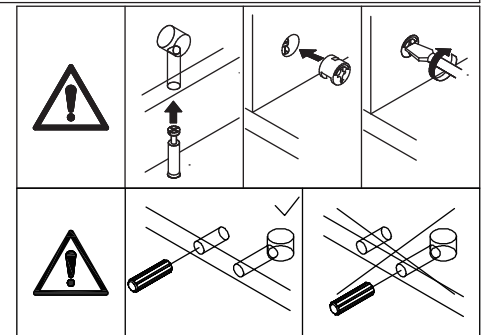
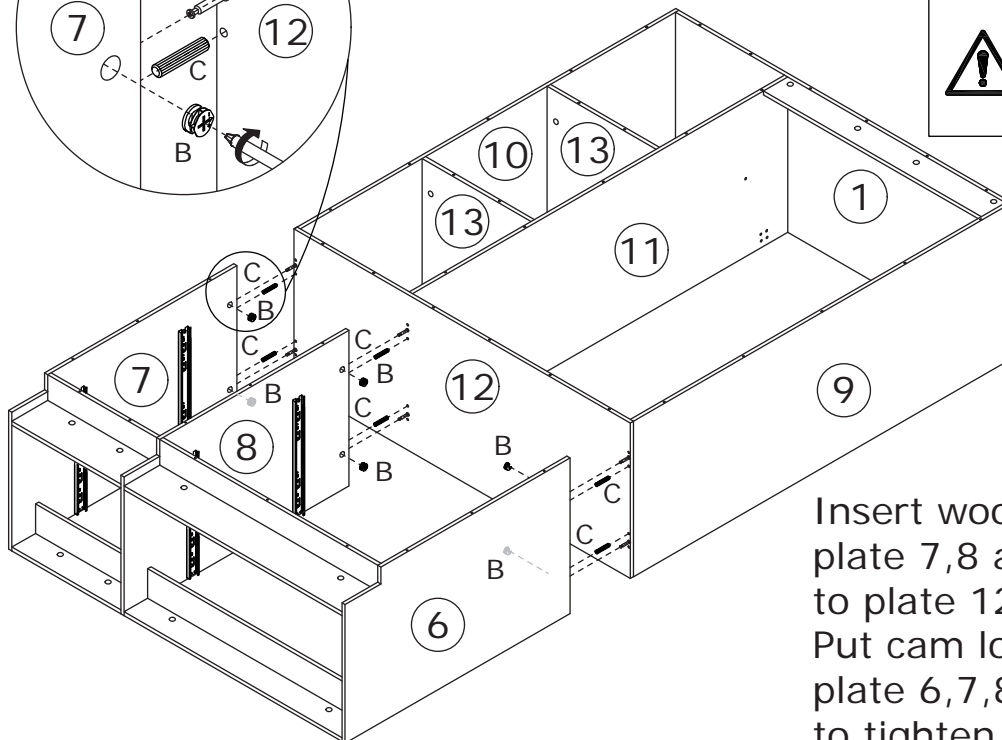
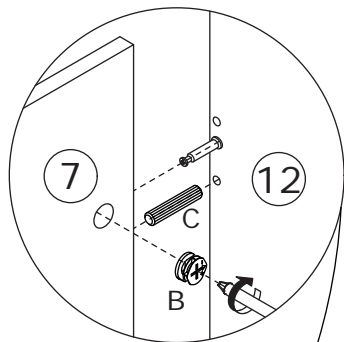
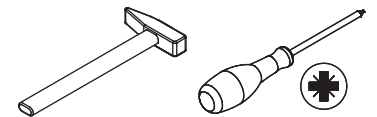
B x 2  CRB1595A	C x 4  CRF0830A
--	--



Insert wooden dowel(C) into plate 4,17,2 and 15 at first, attach to plate 6 as shown. Put cam lock(B) into holes in plate 2,4 and turn clockwise to tighten as shown.


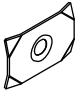

22

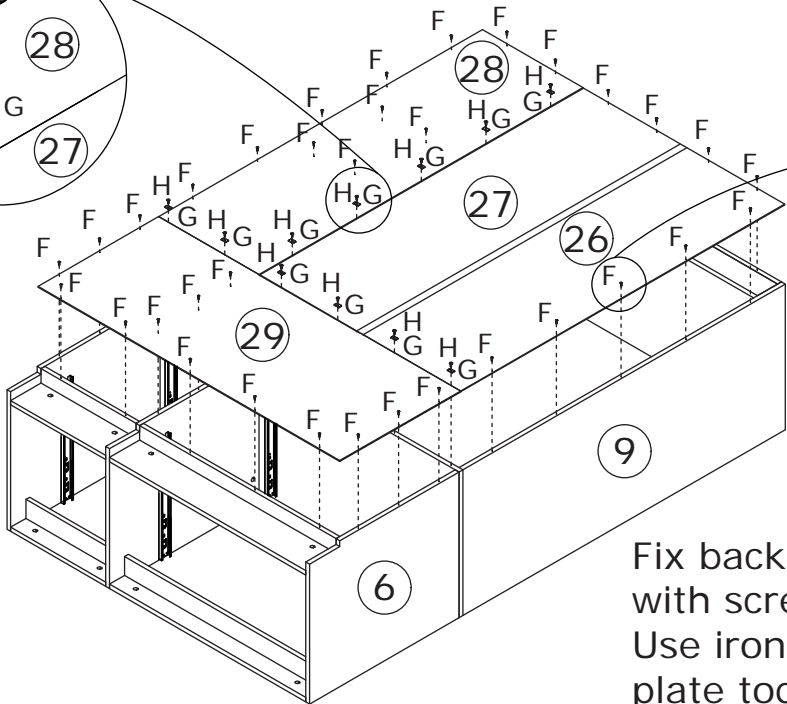
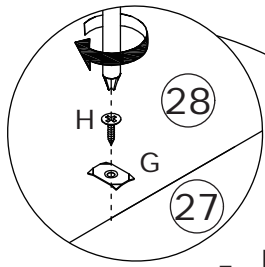
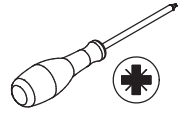
B x 6  CRB1595A	C x 6  CRF0830A
--	--






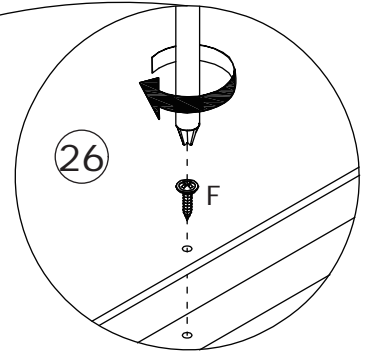
Insert wooden dowel(C) into plate 7,8 and 6 at first, attach to plate 12 as shown. Put cam lock(B) into holes in plate 6,7,8 and turn clockwise to tighten as shown.

23

Fx34  CRE0312A	G x 11  15.5 x 10 x 1.2 mm	H x 11  CRD0316A
---	---	---

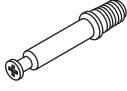


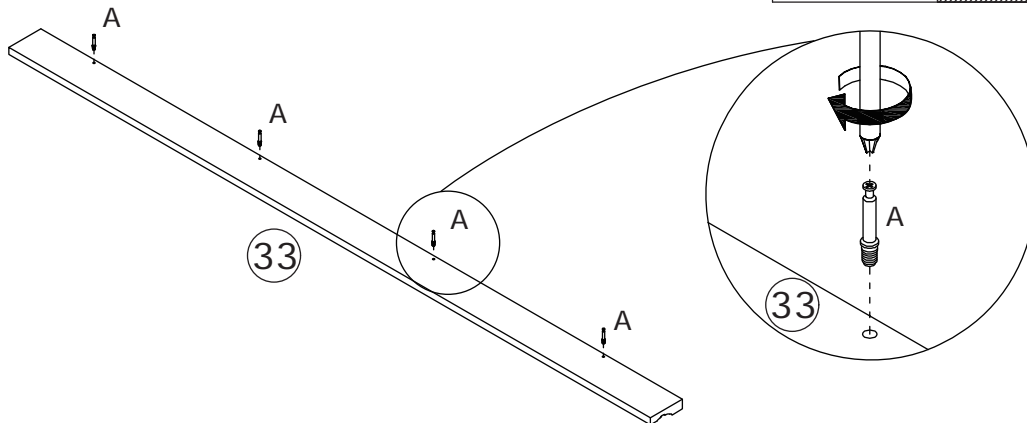
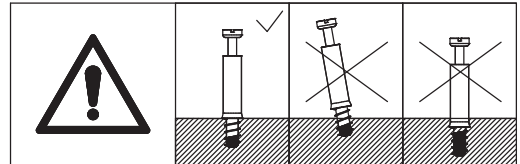
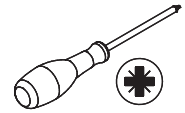
	H  CRD0316A	L  CRD3514A
---	--	--



Fix back plate 26,27,28 and 29 with screw(F) as shown. Use iron sheet(G) to fix each plate together with screw(H) as shown.

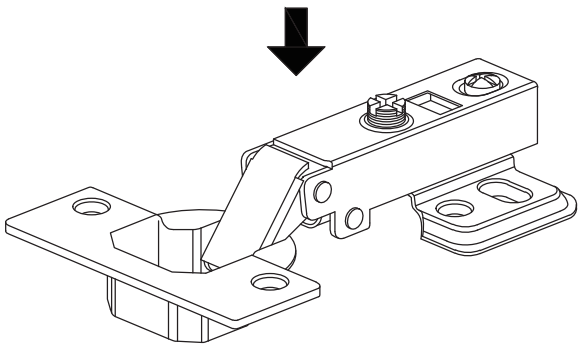
24

A x 4  CRA0635A
--

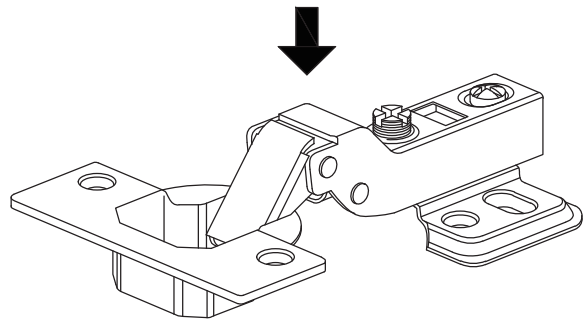


Insert quickfit screw(A) into plate 33 with a screwdriver as shown.

Please note, here are two different types of hinges.
The full coverage door hinges(J) are used on outermost door panel.
The curved door hinges(K) are used on the door panel in the middle
of the cabinet.

**J**

Full overlay hinge

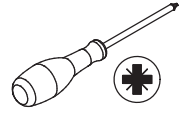
**K**

Half overlay hinge

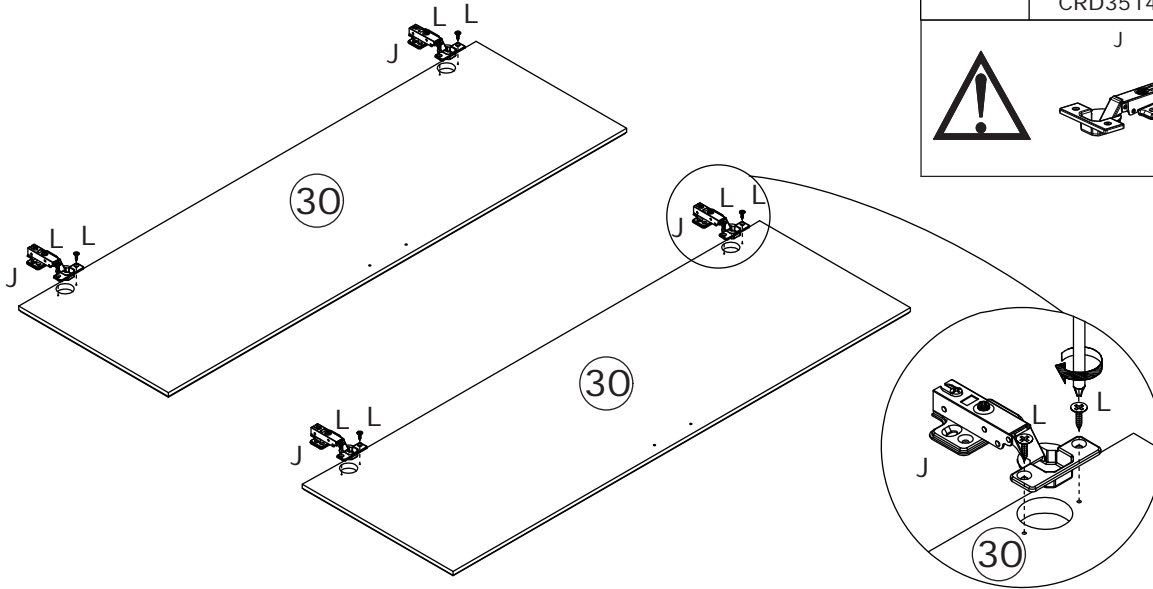
28

J x 4
DGA861A

L x 8
CRD3514A



Fix hinge(J) to plate 30(x2) with screw(L) as shown.



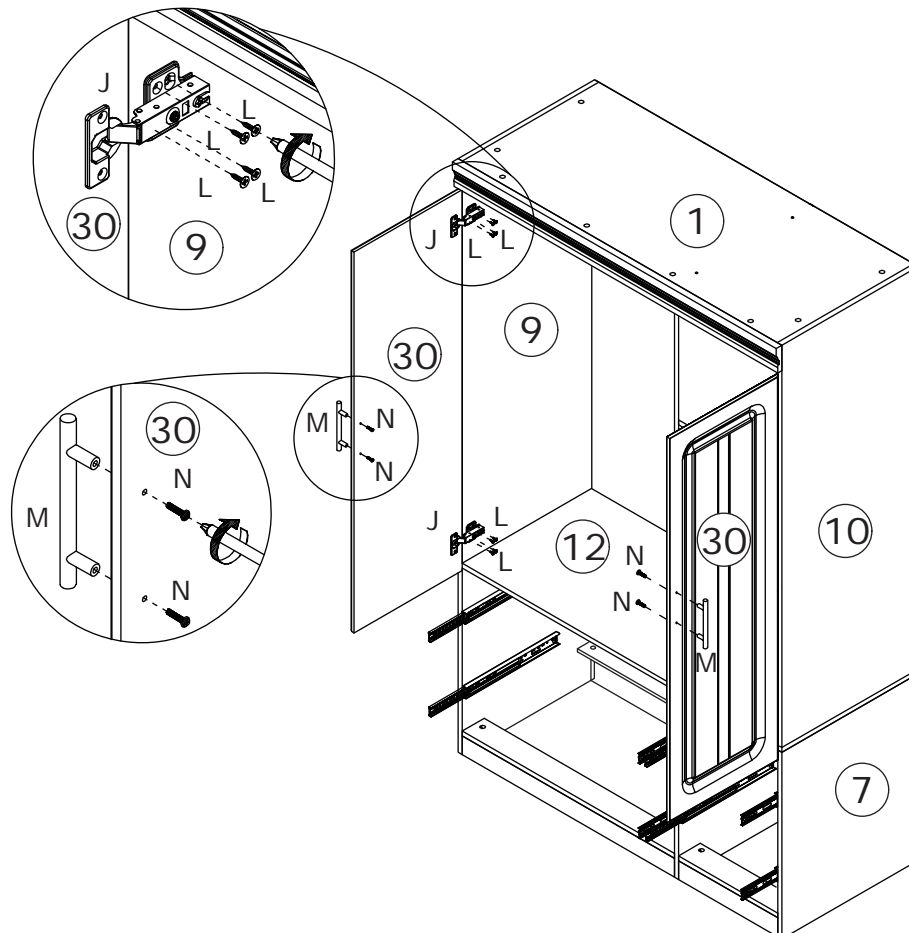
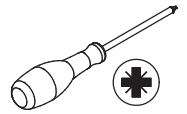
	L CRD3514A	T CRD0414A
	J 	K

29

L x 16
CRD3514A

M x 2
150 mm

N x 4
CRE0418A

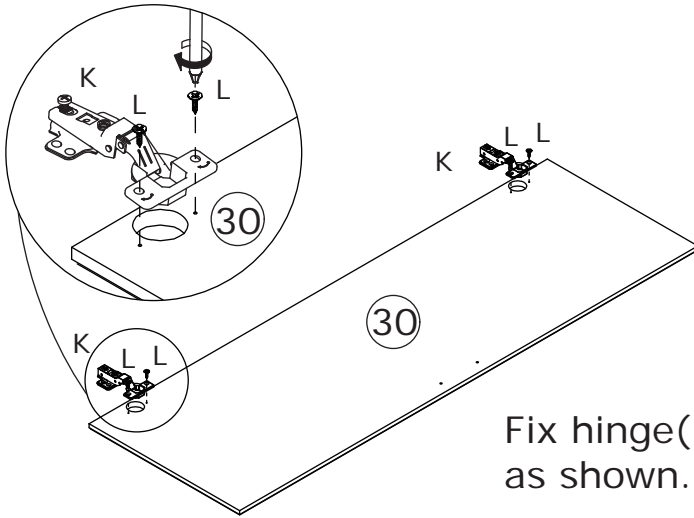








	L CRD3514A	T CRD0414A
	J 	K

Attach the two door plate to plate 9 and 10 by fixing hinge(J) with screw(L) as shown. Fix handle(M) with screw(N) as shown.

30




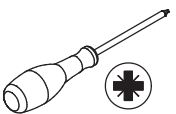
<p>K x 2</p>  <p>DGA861B</p>	<p>L x 4</p>  <p>CRD3514A</p>	
---	--	---

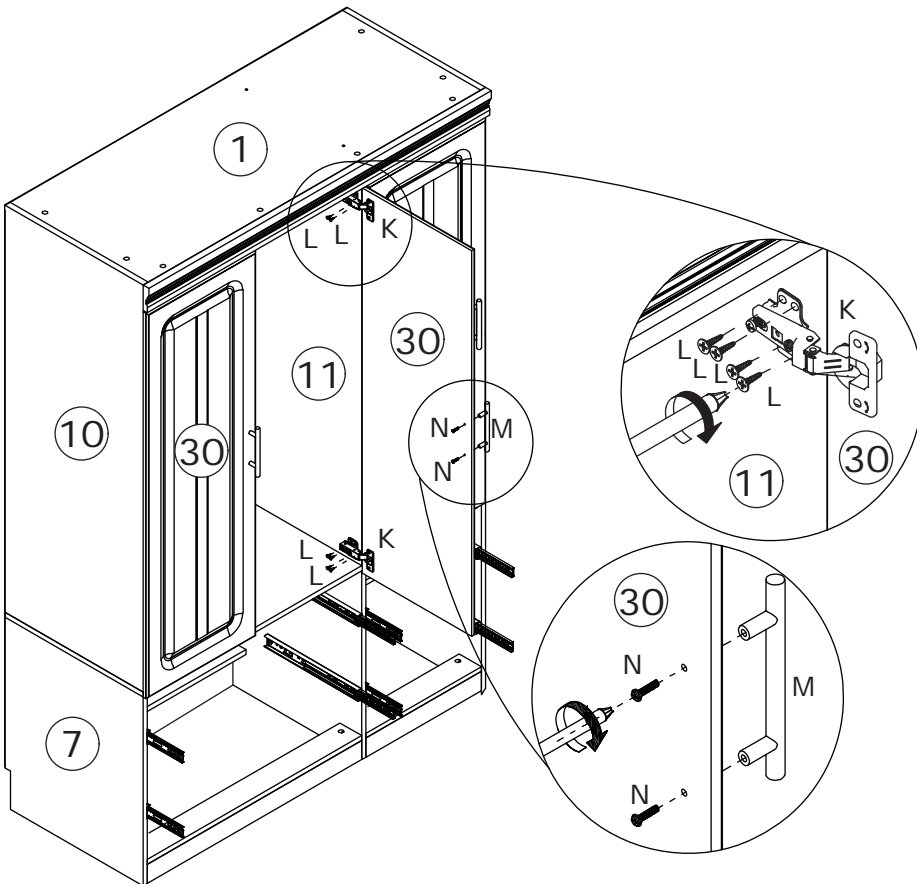








	<p>L</p>  <p>CRD3514A</p>	<p>T</p>  <p>CRD0414A</p>
		<p>K</p> 

Fix hinge(K) to plate 30 with screw(L) as shown.

31

<p>L x 8</p>  <p>CRD3514A</p>	<p>M x 1</p>  <p>150 mm</p>	<p>N x 2</p>  <p>CRE0418A</p>	
--	--	--	---



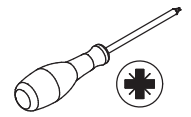
	<p>L</p>  <p>CRD3514A</p>	<p>T</p>  <p>CRD0414A</p>
		<p>K</p> 

Attach the door plate to plate 11 by fixing hinge(K) with screw(L) as shown. Fix handle(M) with screw(N) as shown.

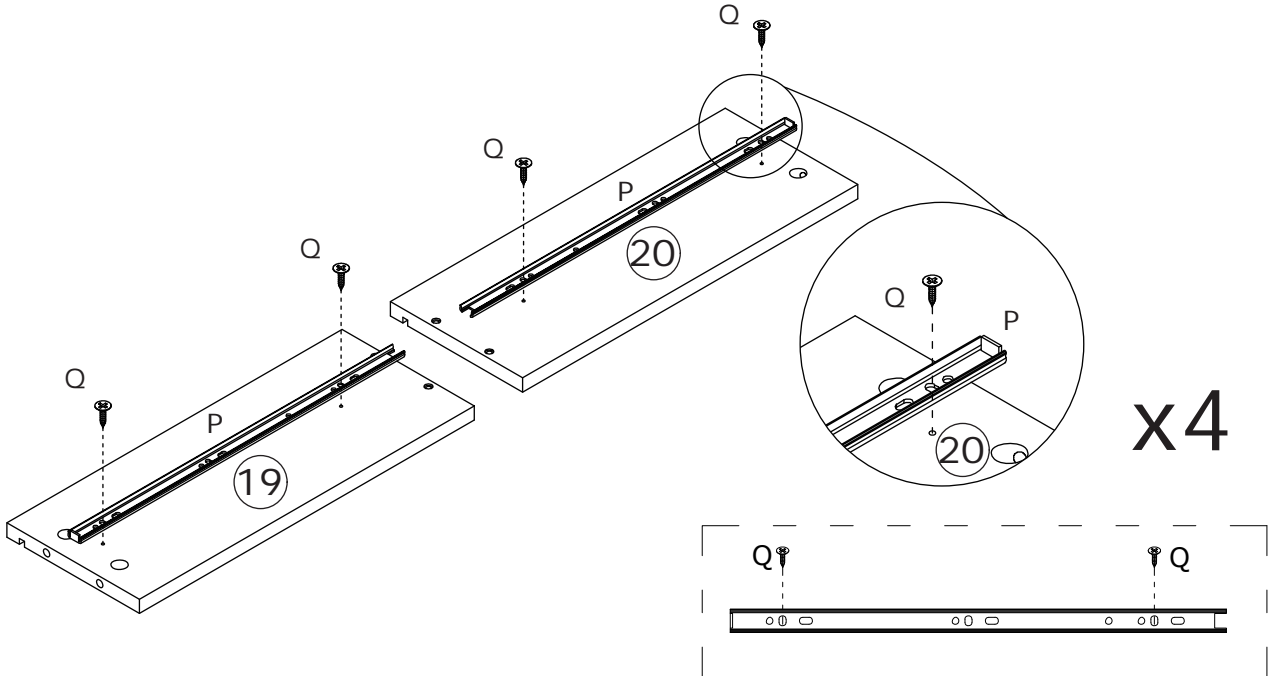
32

P x 8
P1
#4512 14"

Q x 16
CRD3512A

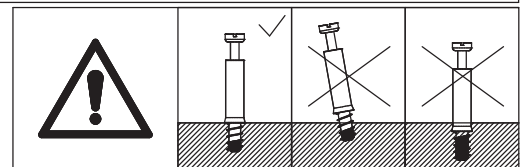
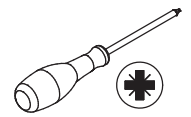


Fix runner(P1) to plate 19 and 20 with screw(Q) as shown.

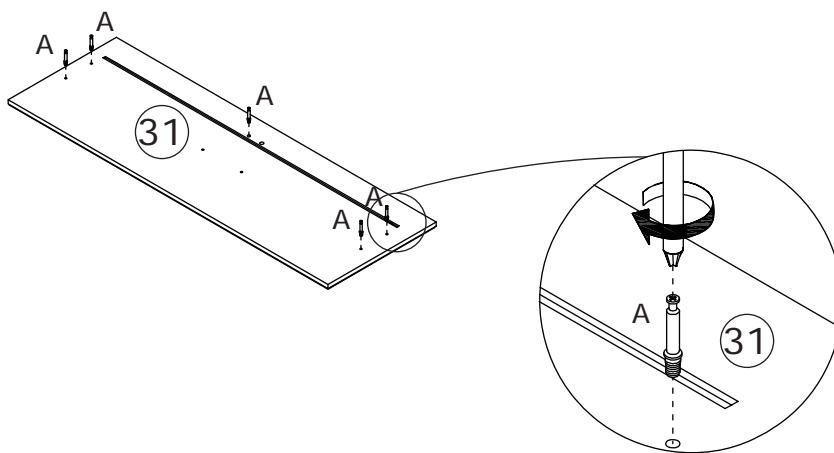


33

A x 10
CRA0635A

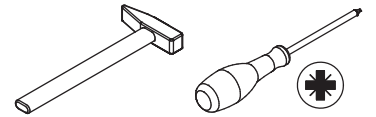
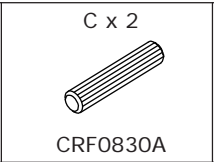
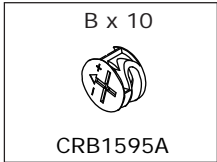


Insert quickfit screw(A) into plate 31 as shown.

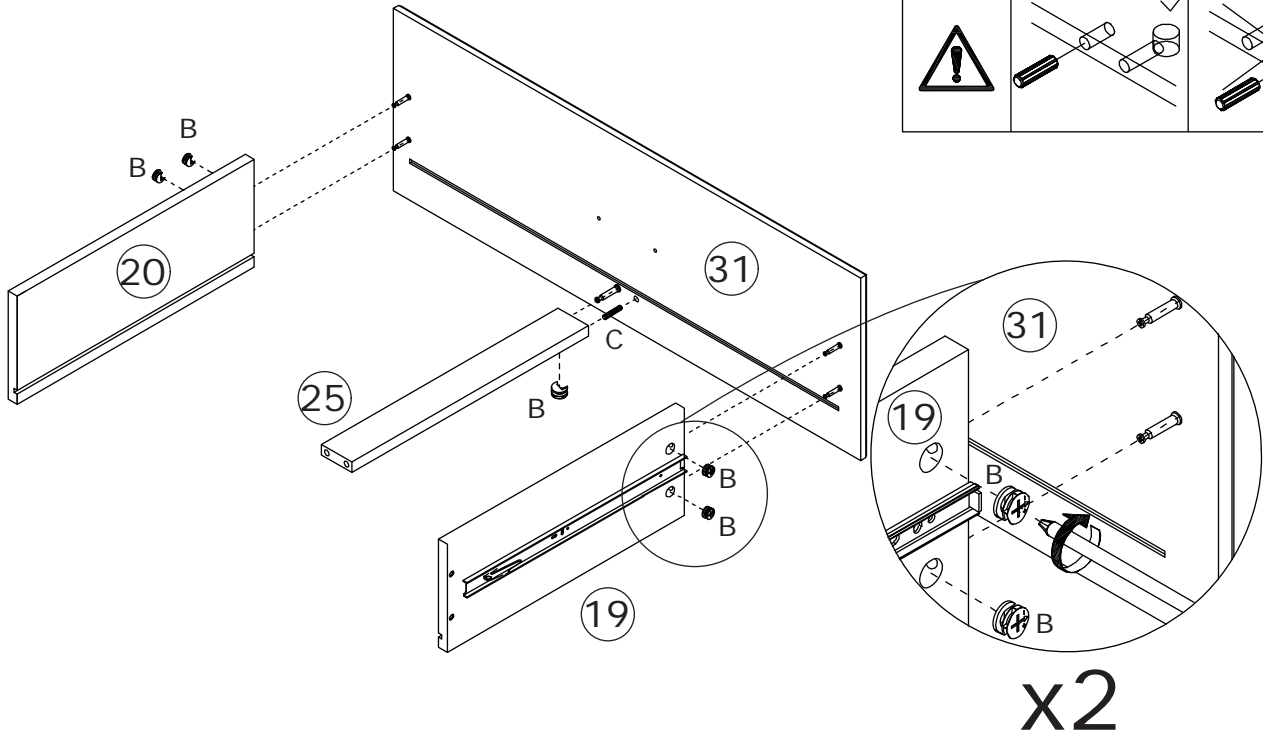
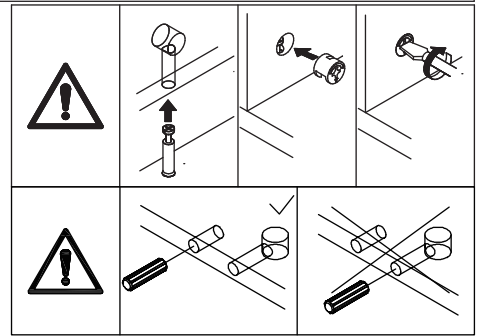


x2

34

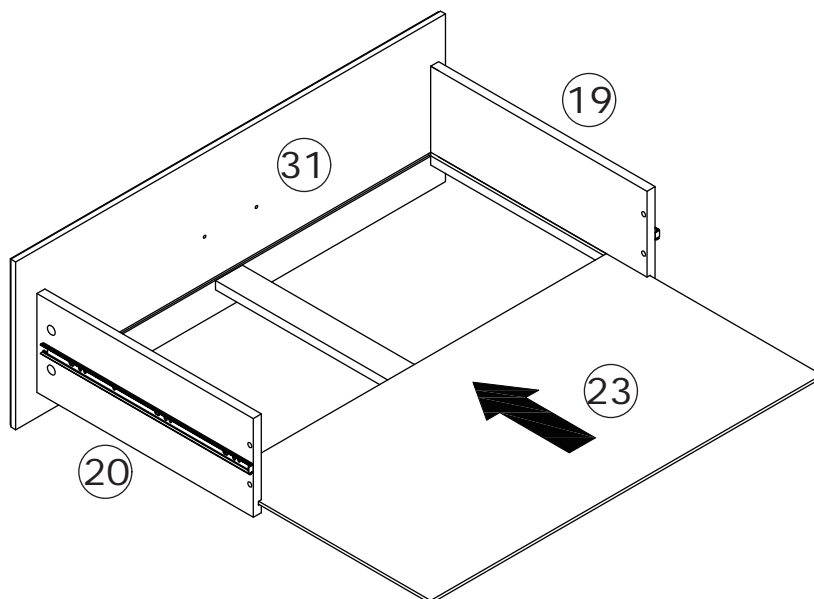


Insert wooden dowel(C) into plate 25 at first, attach plate 19,20 and 25 to plate 31 as shown. Put cam lock(B) into holes in plate 19,20,25 and turn clockwise to tighten as shown.

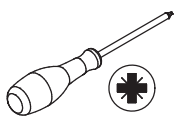
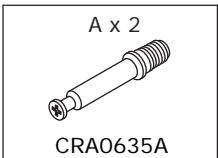


35

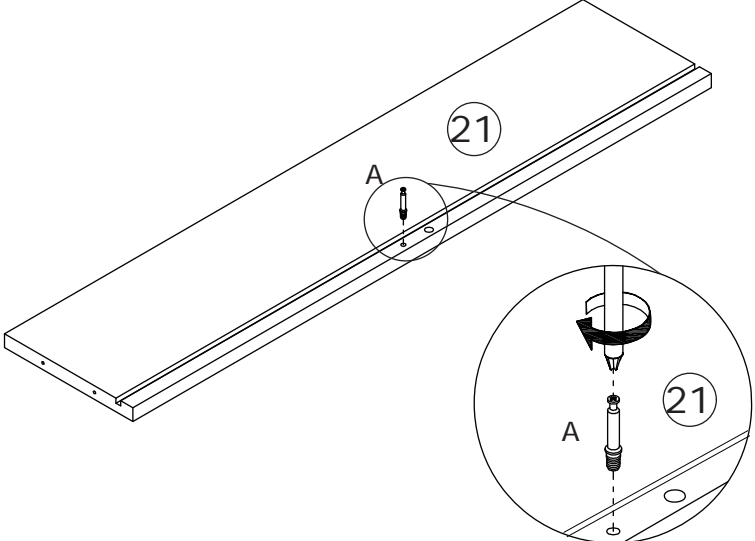
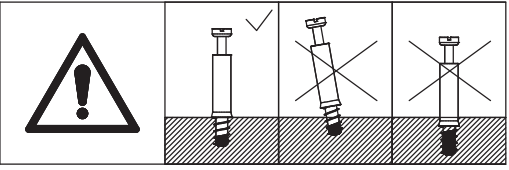
Slide plate 23 along grooves as shown.



36

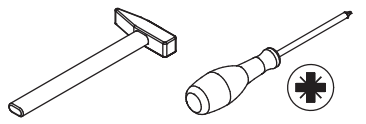
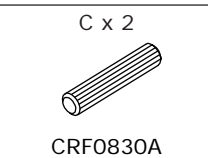
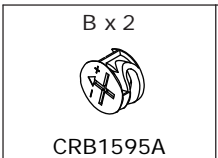


Insert quickfit screw(A) into plate 21 as shown.

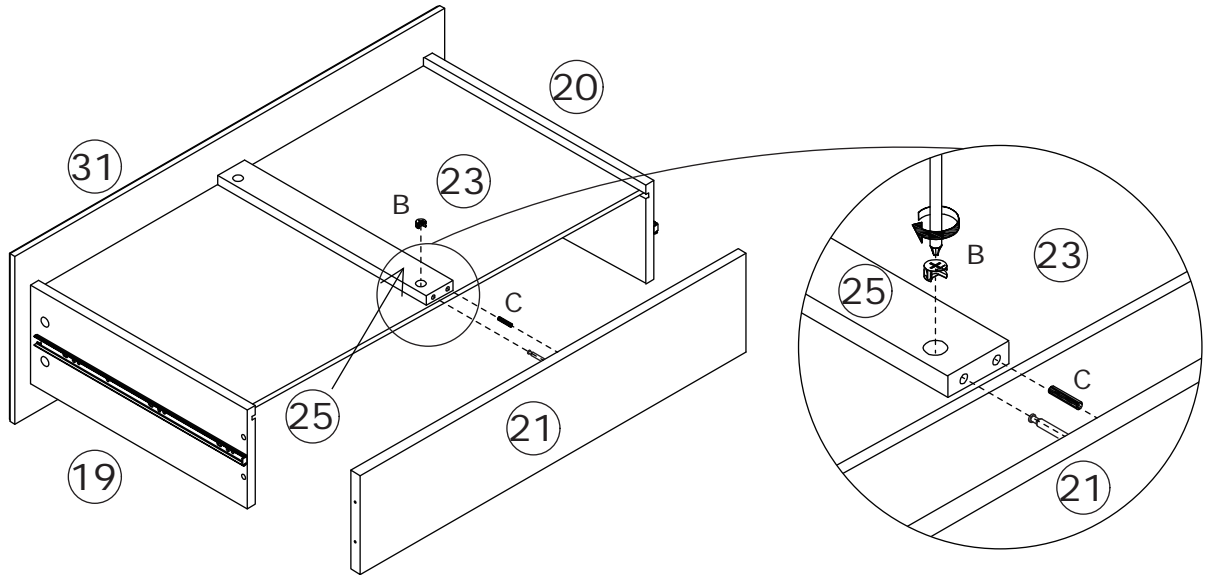
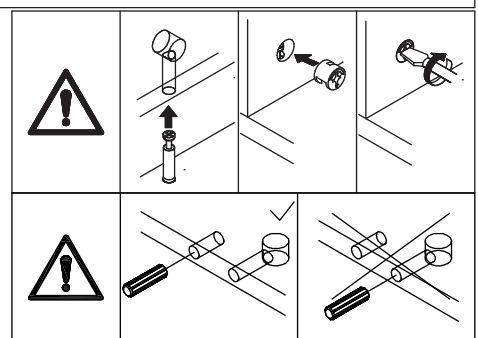


x2

37




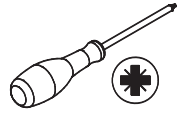
Insert wooden dowel(C) into plate 25 at first, attach plate 21 to plate 25 as shown. Put cam lock(B) into holes in plate 25 and turn clockwise to tighten as shown.


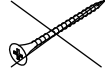



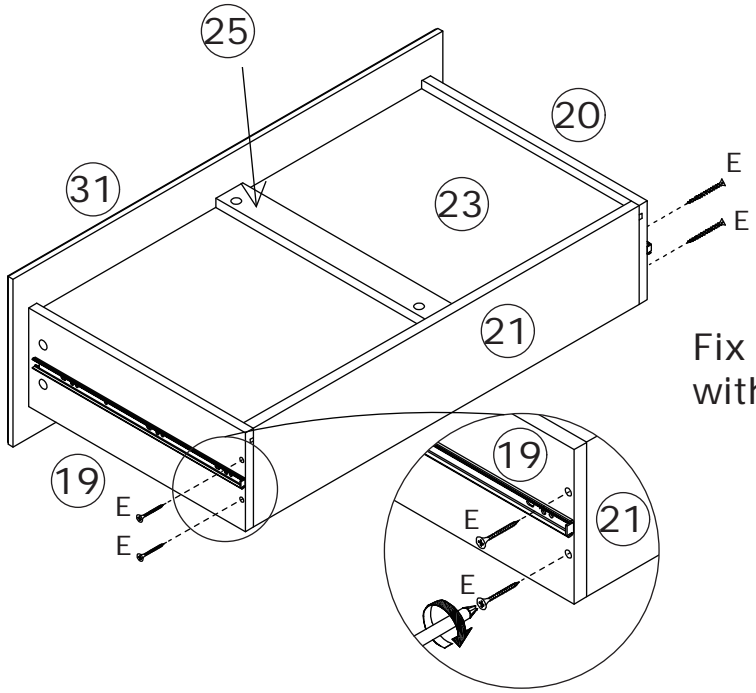
x2

38

E x 8

CRD0430A



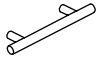

	D  CRD0440A	E  CRD0430A
---	--	--

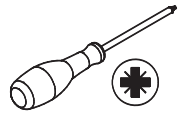


Fix plate 21 to plate 19 and 20 with screw(E) as shown.

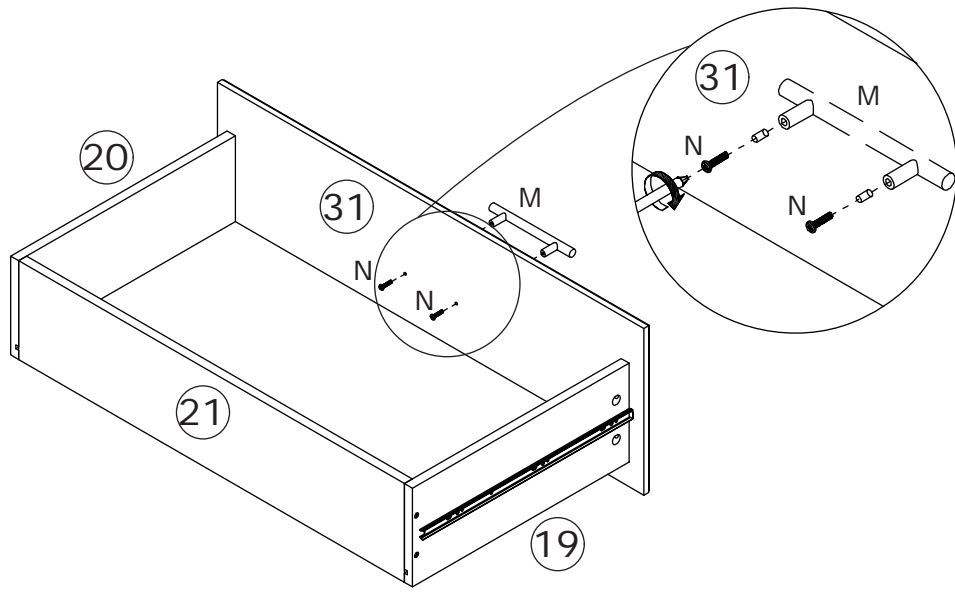
x2

39

M x 2	N x 4
	
150 mm	CRE0418A

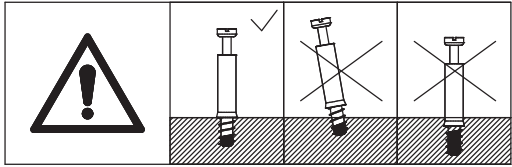
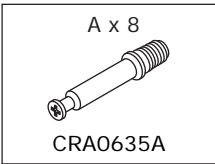


Fix handle(M) with screw(N) as shown.

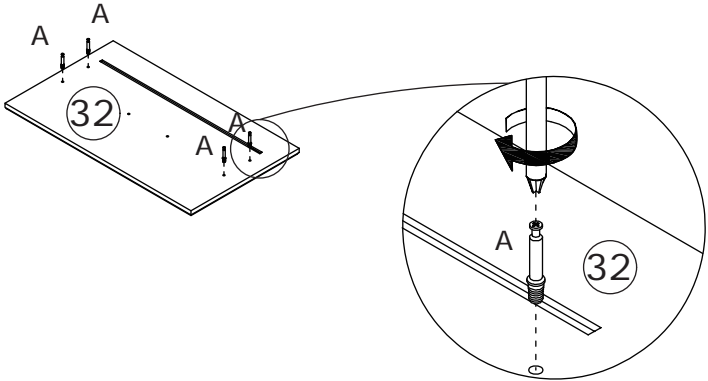


x2

40

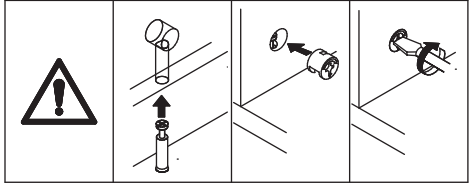
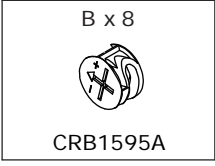


Insert quickfit screw(A) into plate 32 as shown.

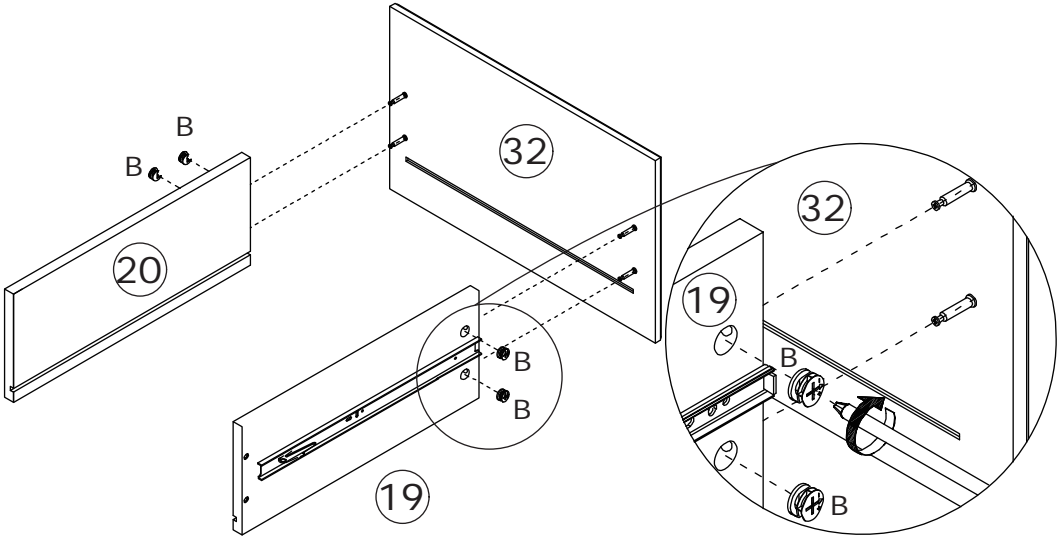


x2

41



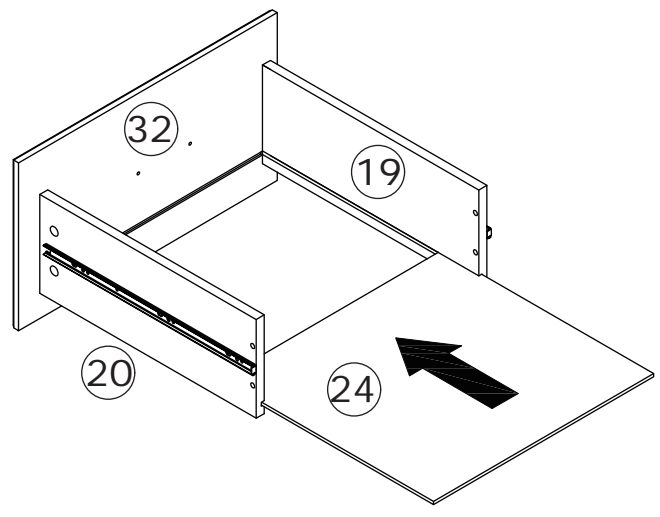
Attach plate 19 and 20 to plate 32 as shown. Put cam lock(B) into holes in plate 19,20 and turn clockwise to tighten as shown.



x2


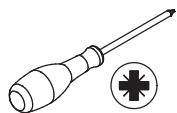
42

Slide plate 24 along grooves as shown.


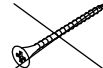



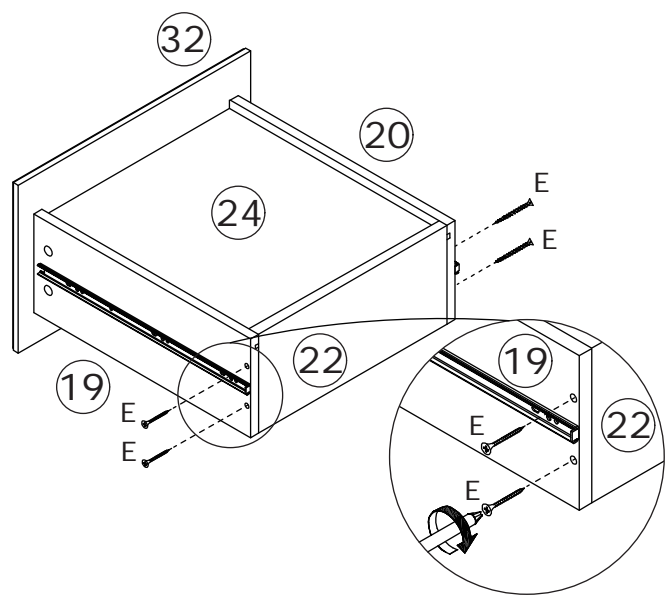
x2

43

<p>E x 8</p>  <p>CRD0430A</p>	
--	---

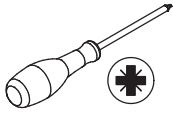
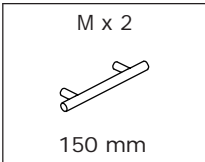
Fix plate 22 to plate 19 and 20 with screw(E) as shown.

	<p>D</p>  <p>CRD0440A</p>	<p>E</p>  <p>CRD0430A</p>
---	--	--

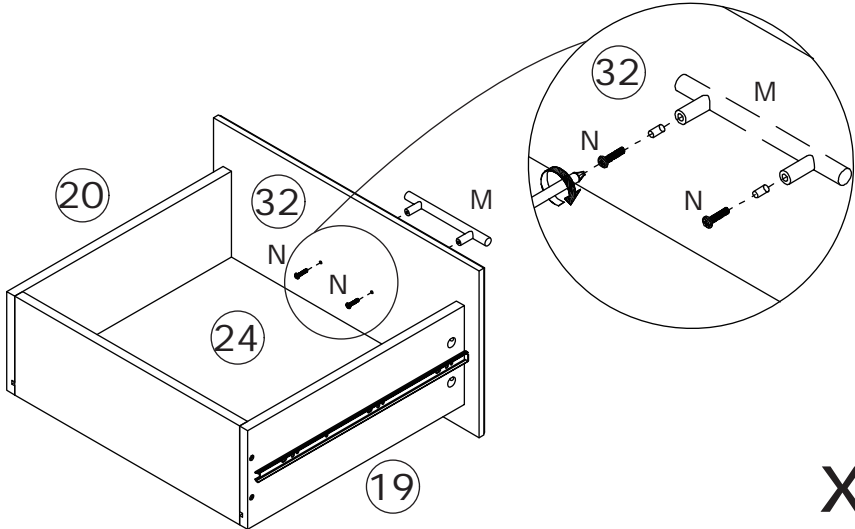


x2

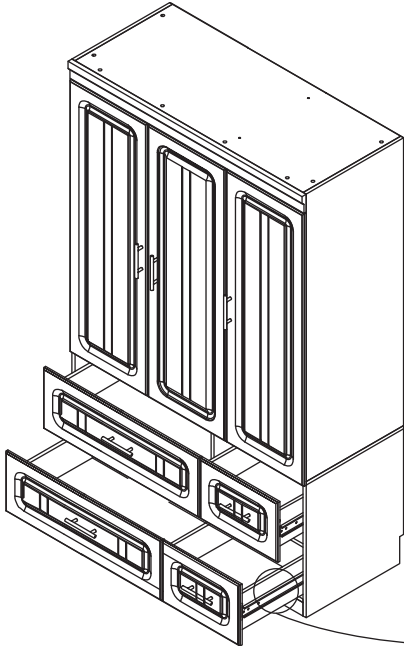
44



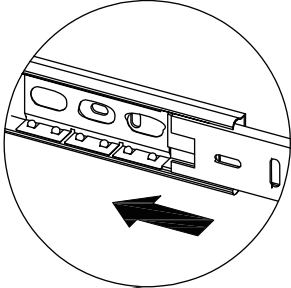
Fix handle(M) with screw(N) as shown.



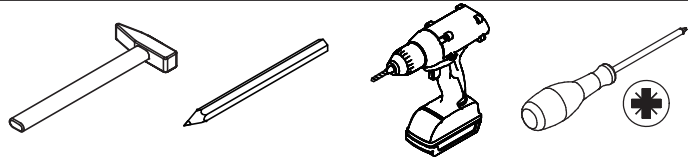
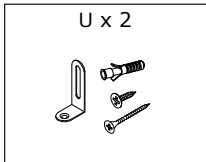
45



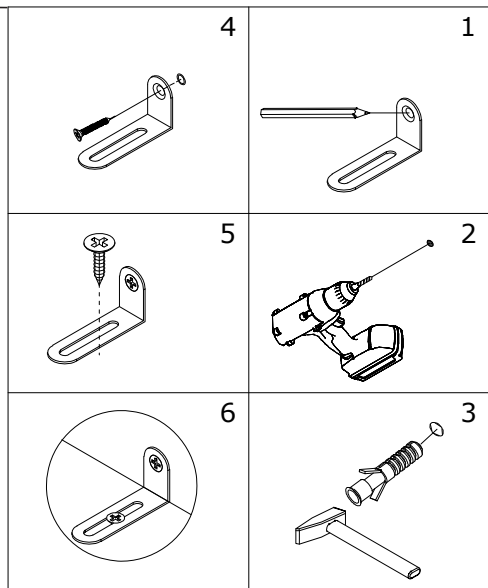
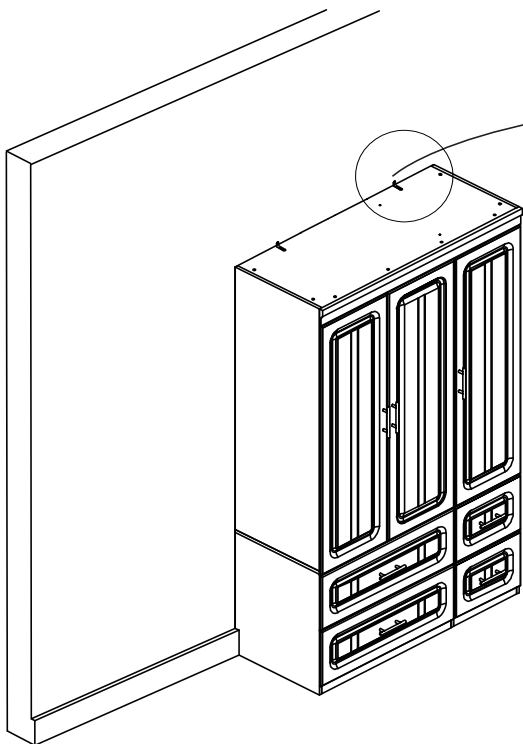
Align rails, slide all drawers.



46

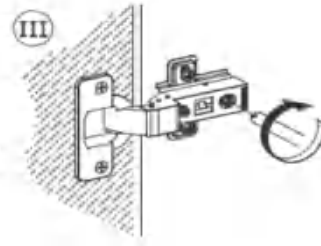
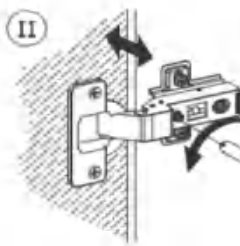
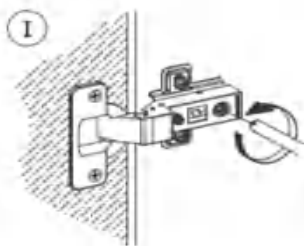
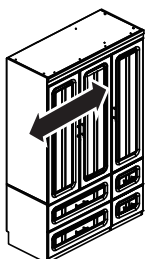
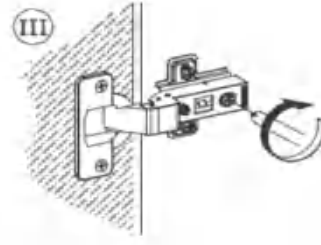
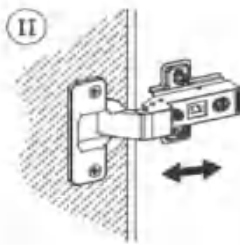
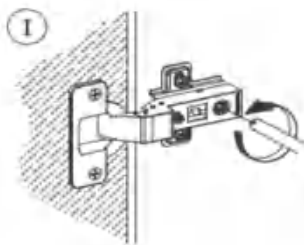
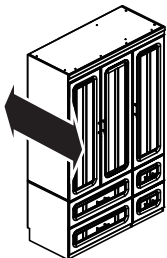
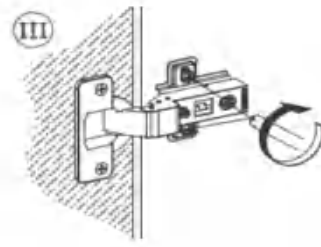
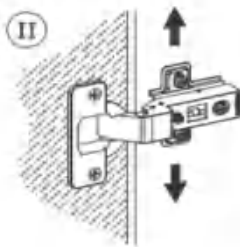
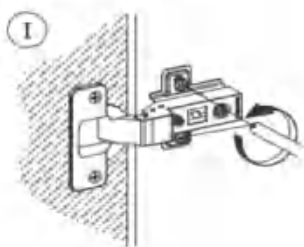
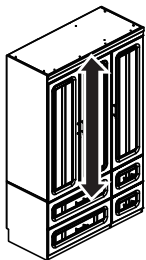


Install anti-tipping device(U) as shown.



If doors are still not aligned if the hinges are properly correctly, please watch the video.

<https://youtu.be/n0Lb36SoODM>



WARRANTY

WARRANTY CLAIMS

- There is a 30-day warranty for broken furniture or any other problems that do not work properly. The warranty will start from the date of purchase which must be verified by proof of purchase.
- Before making a claim, we may be able to answer your query, simply call us. Please leave your purchase order number, along with some details of the problem, if you want a replacement part. We will arrange within 48 hours. If there is out of stock, we will reply with a shipping date.
- The product must be used in accordance with the instructions provided. For health reasons.
- For other reasons, if the furniture needs to be returned, it must be cleaned and dried and operated within 30 days of receipt.

Type of Warranty Claim

- Failure to follow the furniture instructions will invalidate the warranty. Attention please.
- Does not include damage during installation, but includes damage during transportation.

Scope of responsibility

- Shall not bear any responsibility for misuse or user damage and / or loss of parts during the installation of furniture.
- After using, the damage and scratches of the furniture are not covered by the warranty.

The Warranty Relates to All Bought in The Us and Covers The Following Areas

- Sheet parts: 1 month from the date of purchase.
- Electrical parts: 1 month from the date of purchase.