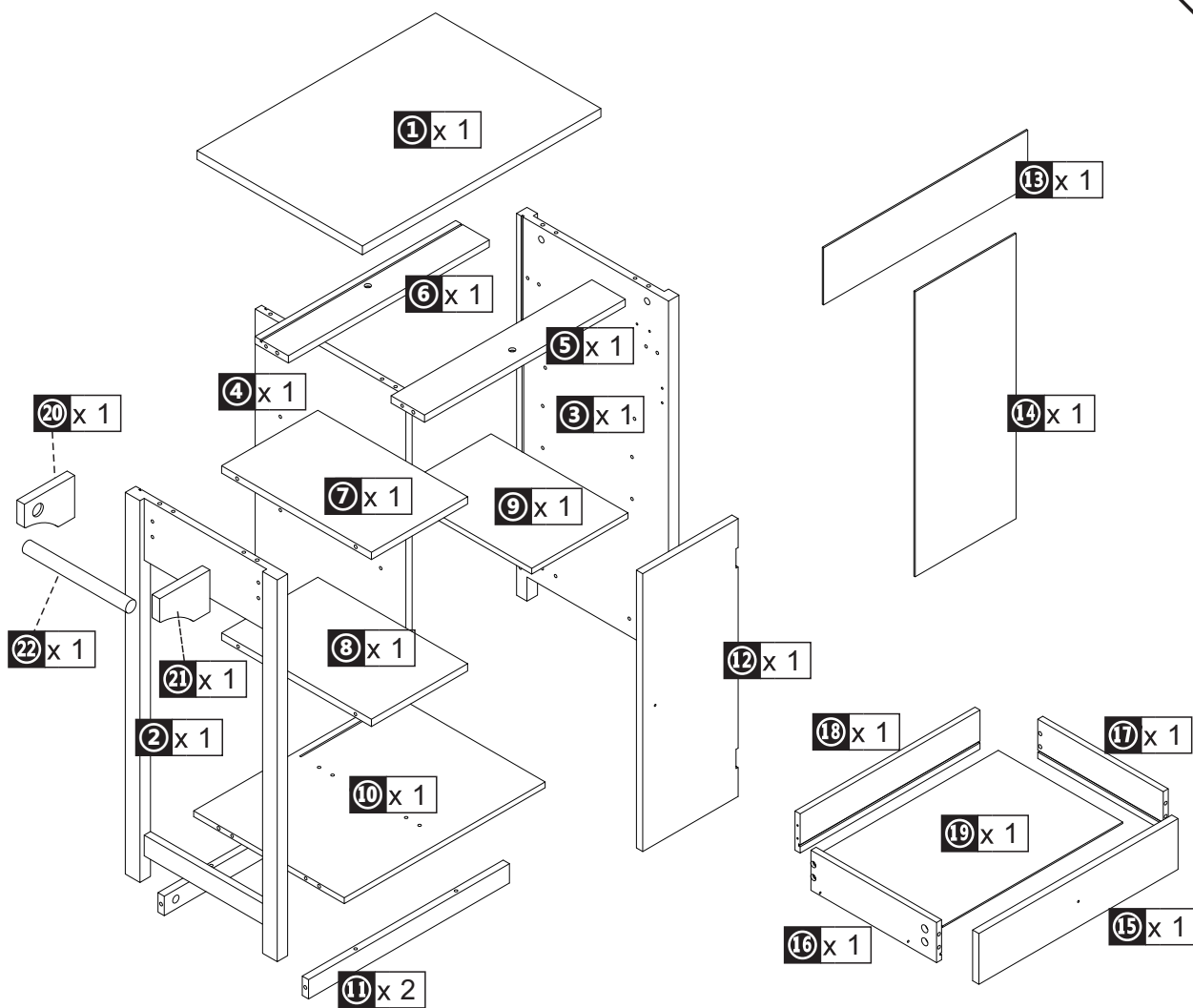
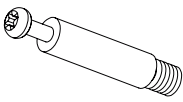
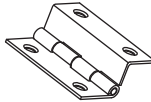

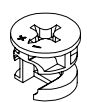
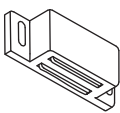
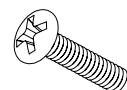
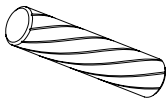
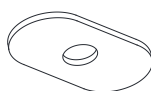
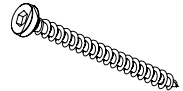
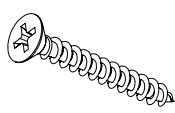
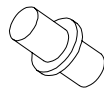
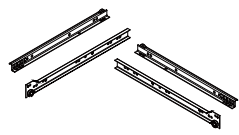
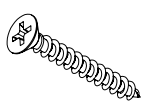
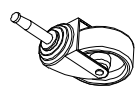
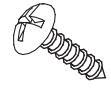


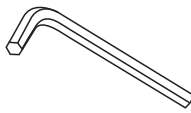


ASSEMBLY INSTRUCTION



	A x24		G x 2		M x 2
	B x24		H x 1		N x 2
	C x20		I x 1		O x 4
	D x 8		J x 4		P x 1
	E x 4		K x 2		Q x 2
	F x19		L x 2		R x 1

M4*35

M4*30

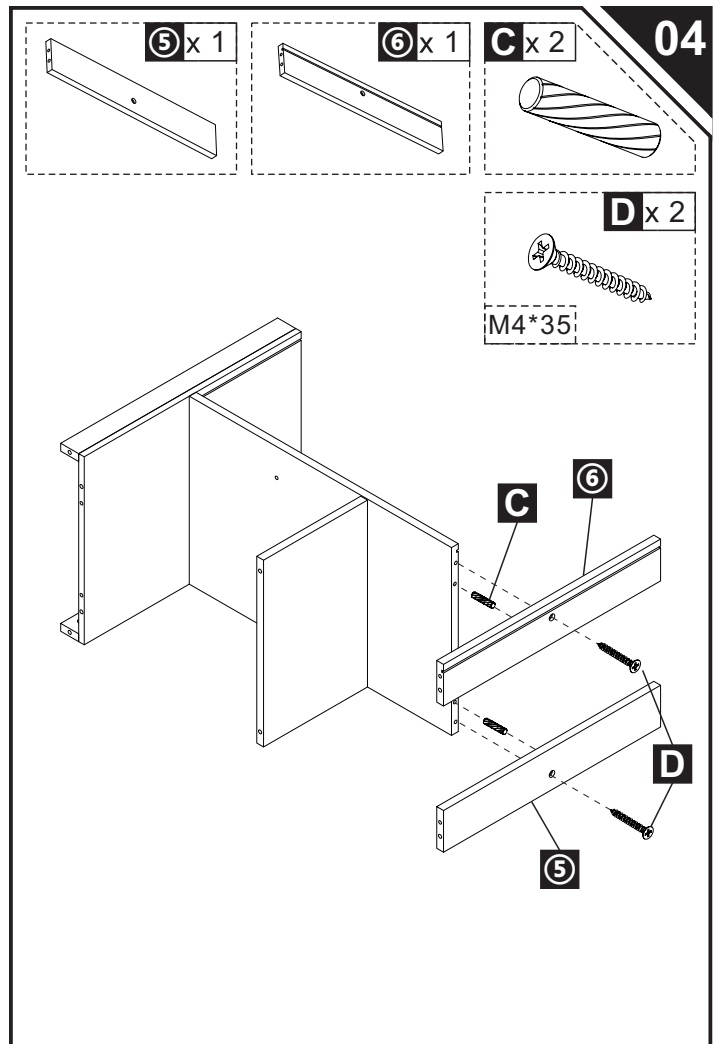
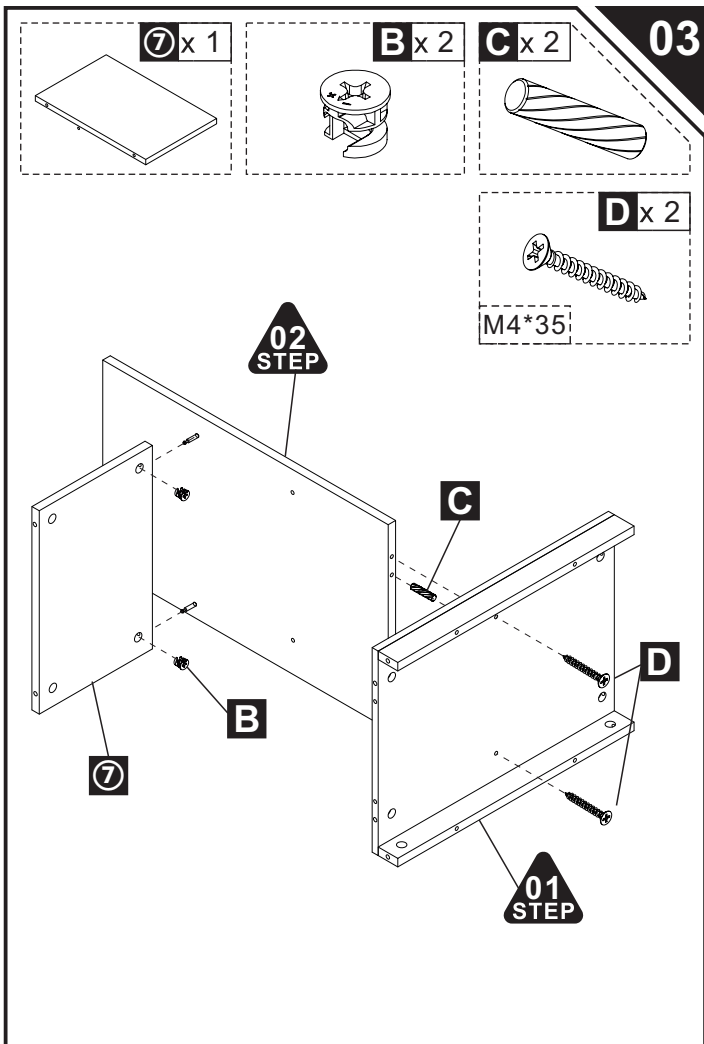
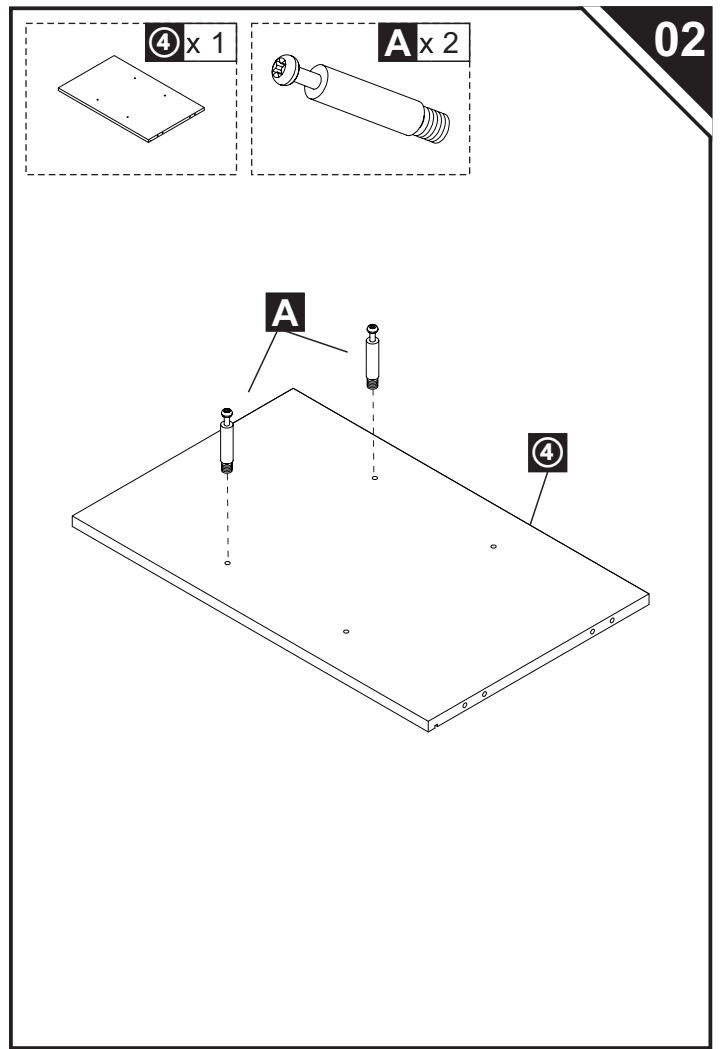
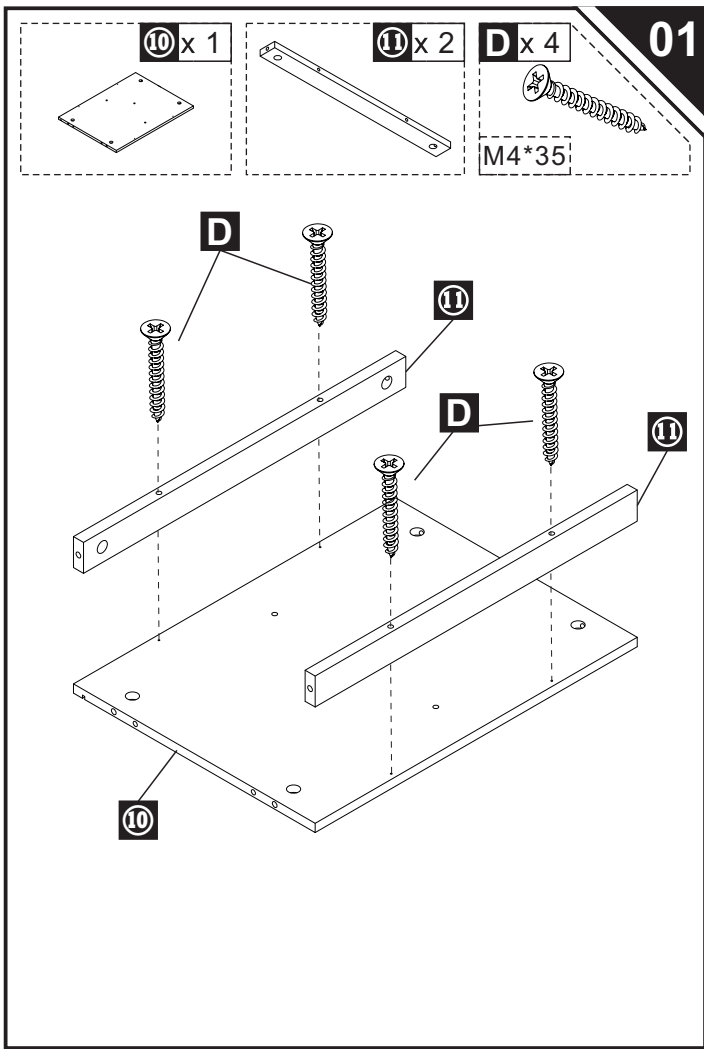
M3*12

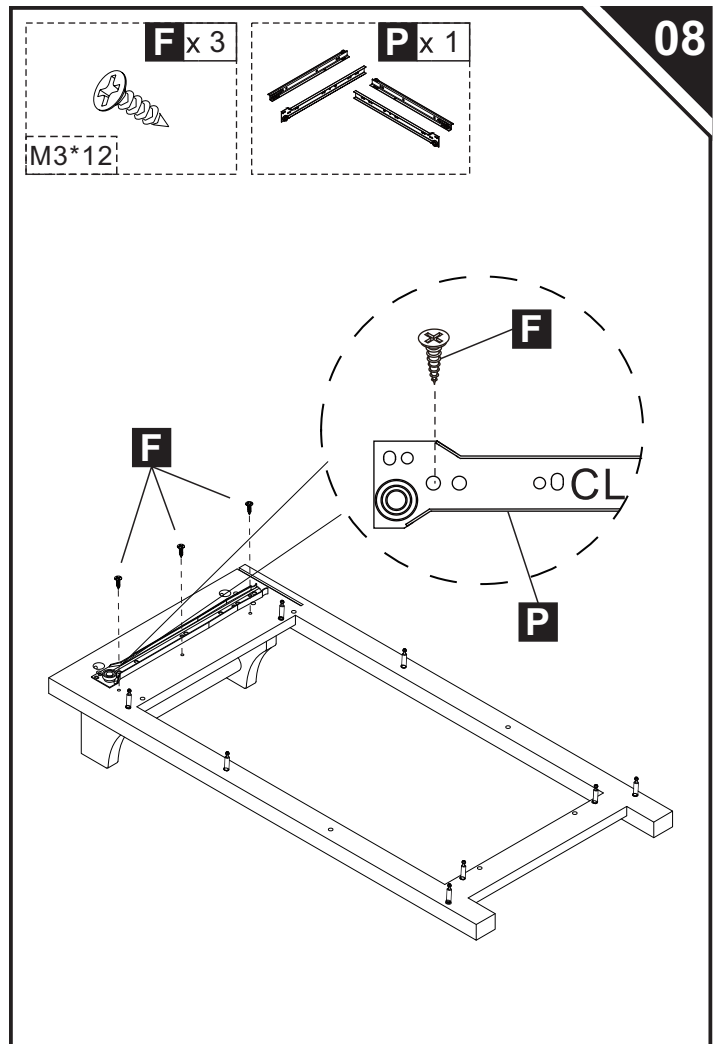
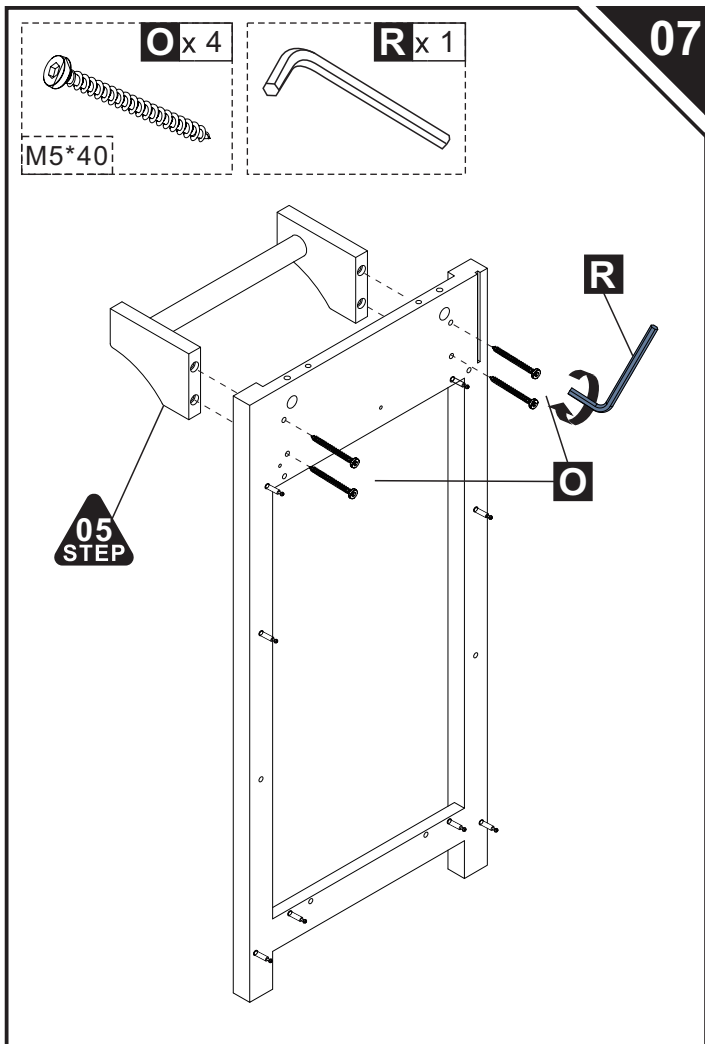
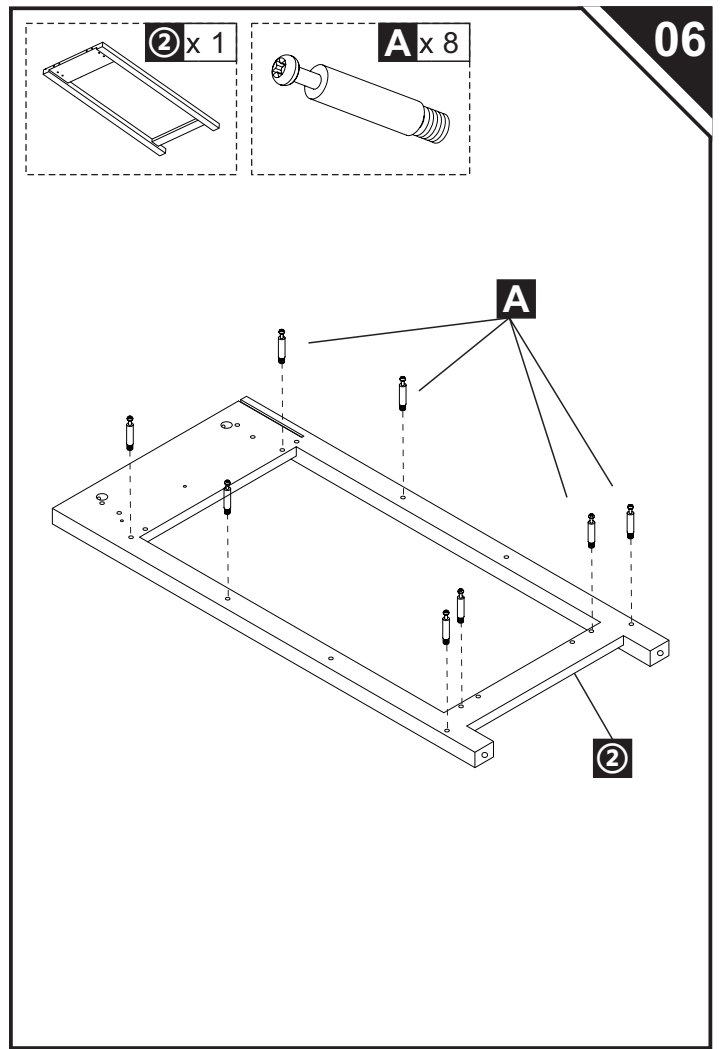
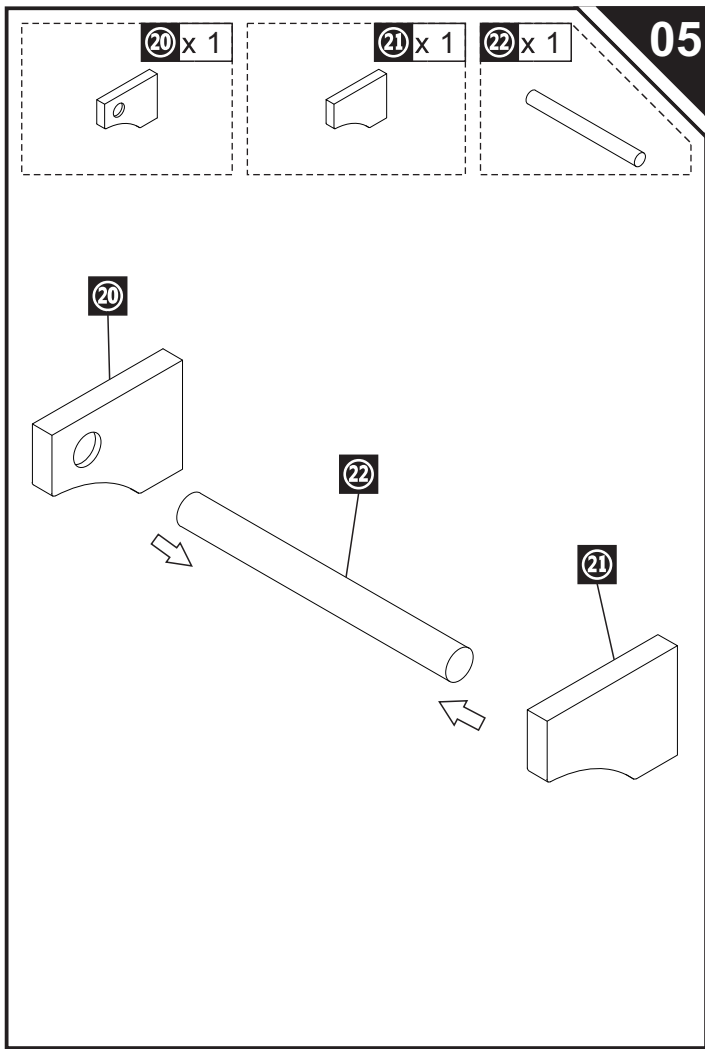
M4*20

M5*40

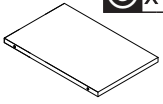
M2.5*14







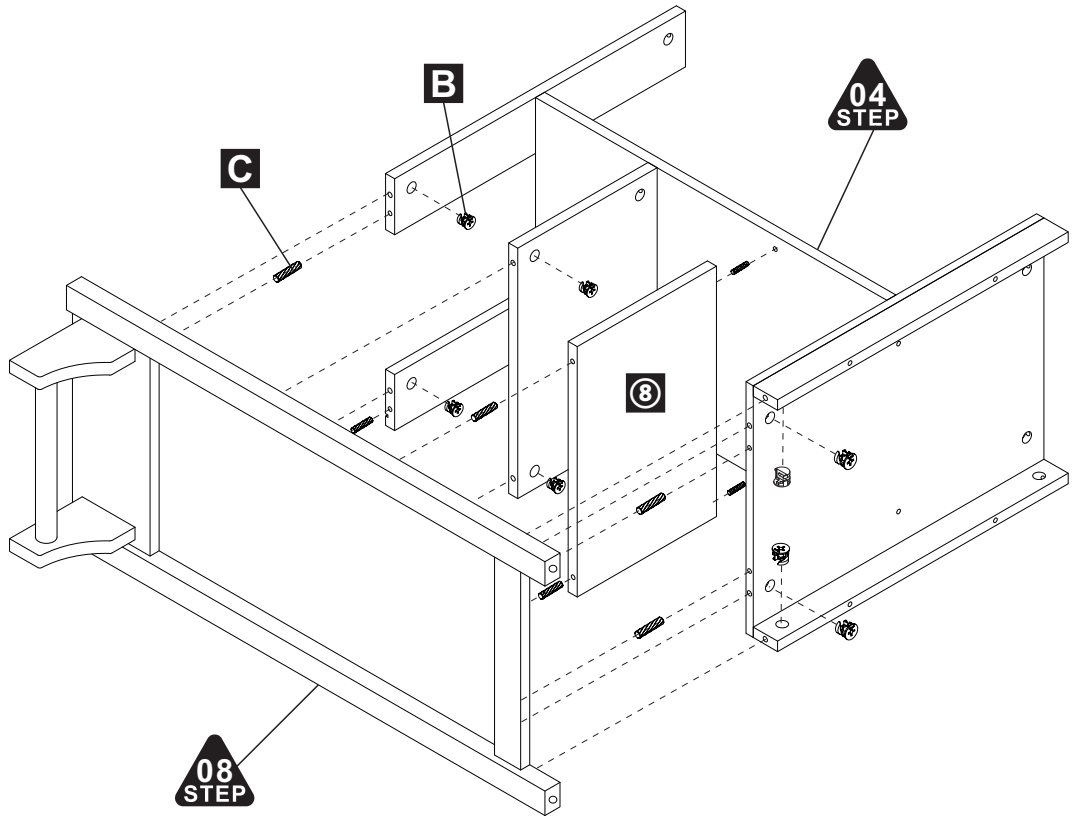
⑧ x 1



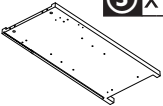
B x 8



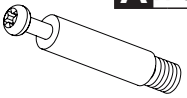
C x 8



③ x 1



A x 6

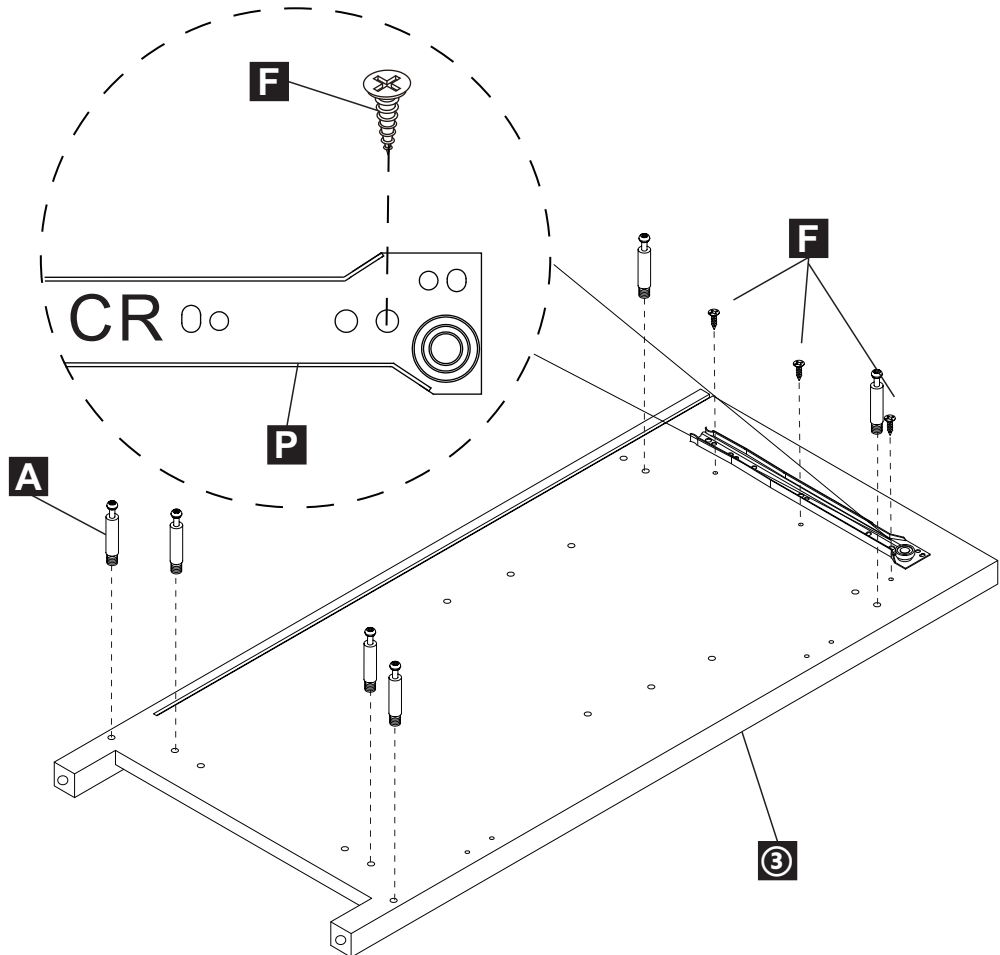


F x 3



M3*12

P x 1



14 x 1



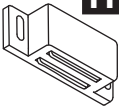
B x 6



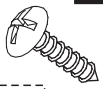
C x 4



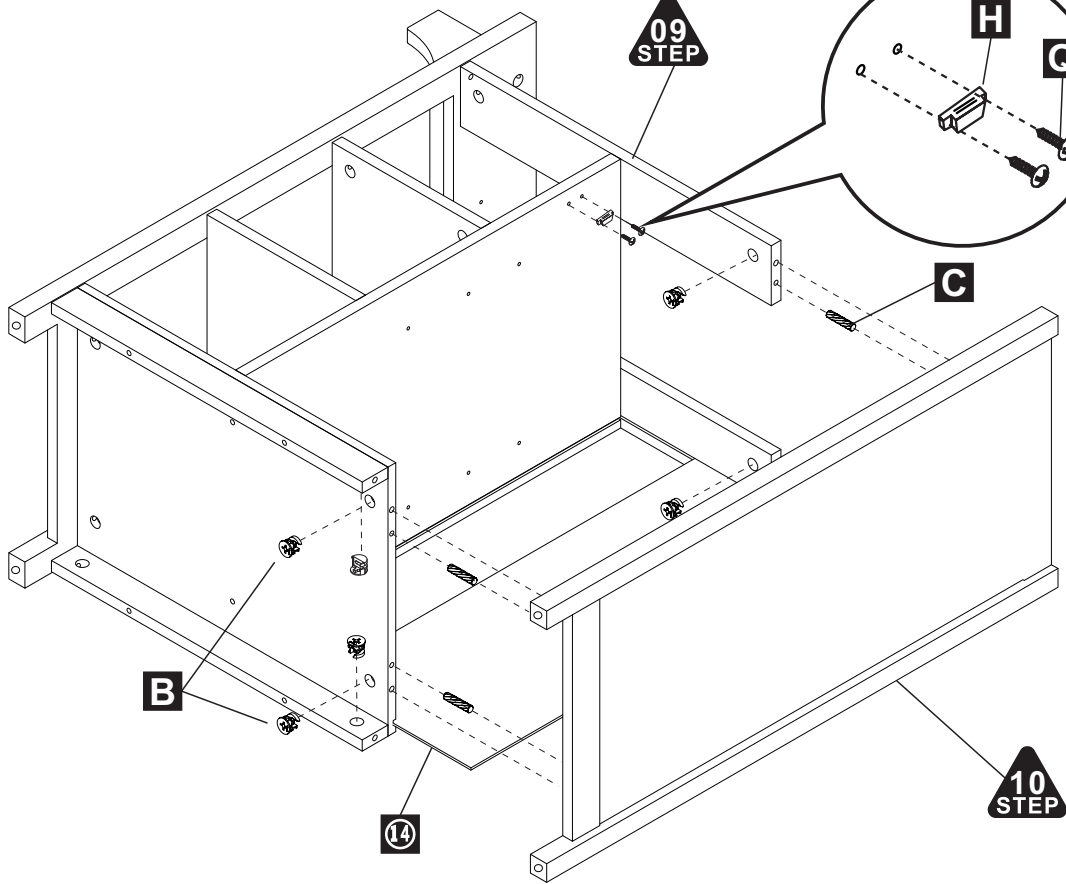
H x 1



Q x 2



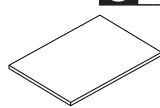
M2.5*14



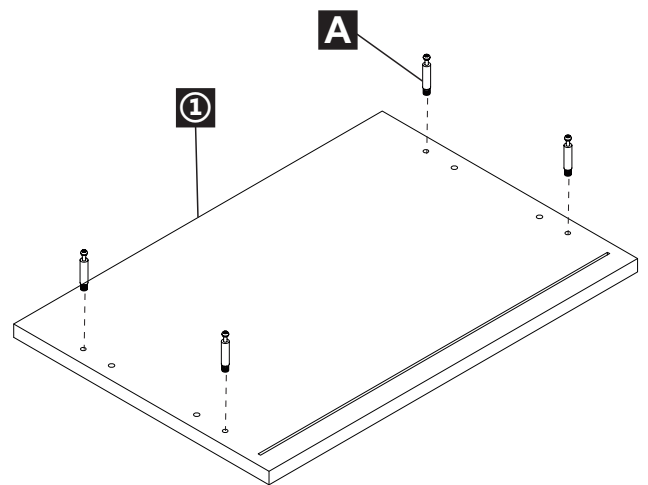
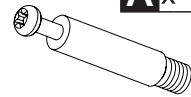
09 STEP

10 STEP

1 x 1



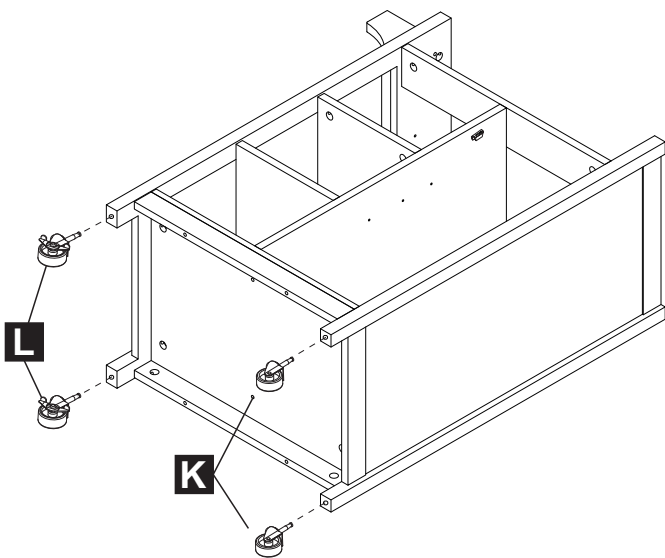
A x 4



K x 2



L x 2



K

L

