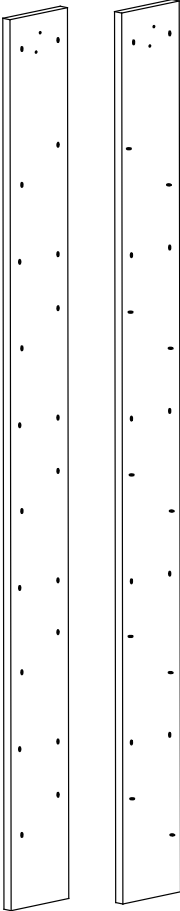
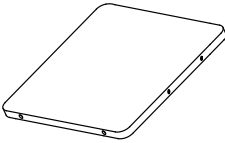



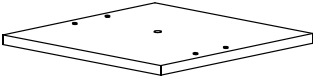


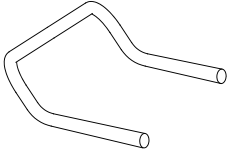

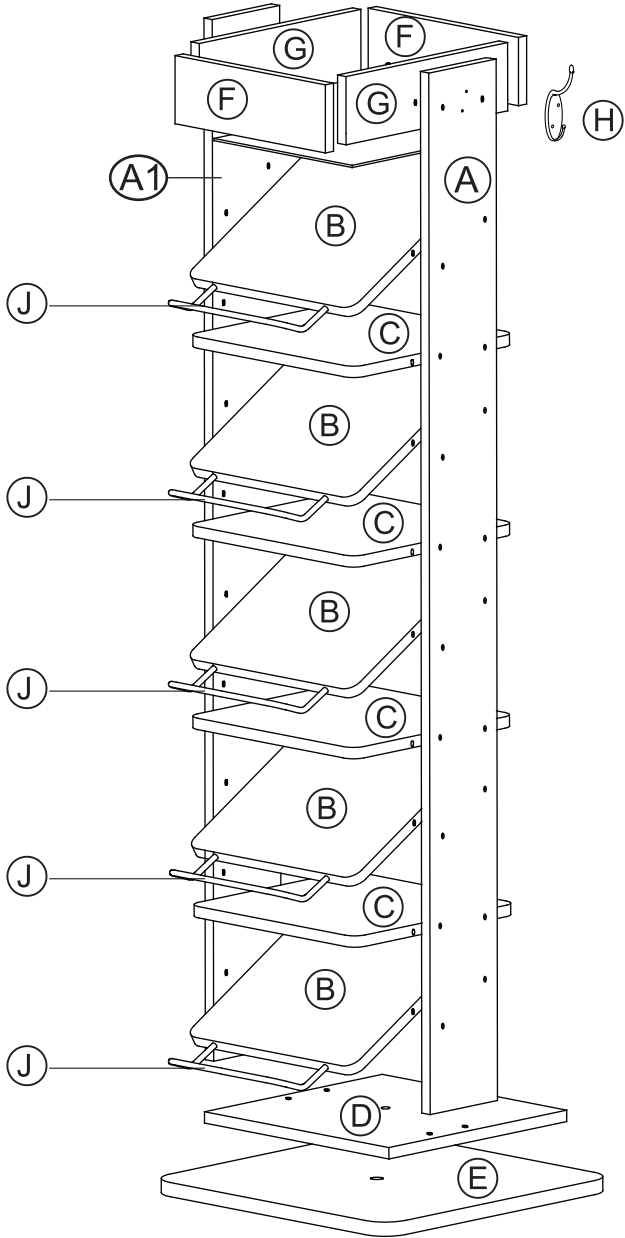
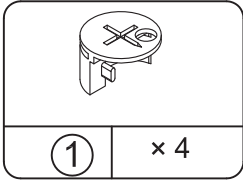


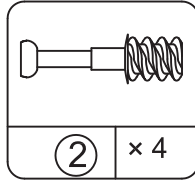
USER'S MANUAL
360° Rotating shoe rack

 <p>Ax1 A1x1</p>	 <p>Bx5</p>	 <p>Fx2</p>
 <p>Cx4</p>	 <p>Gx2</p>	
 <p>Dx1</p>	 <p>Hx1</p>	
 <p>Ex1</p>	 <p>Jx5</p>	
 <p>Hx2</p>		

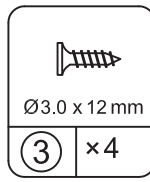




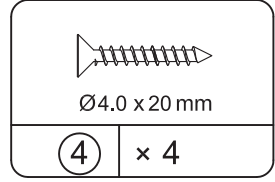
CAM LOCK



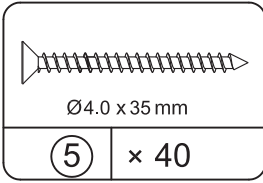
CAM BOLT



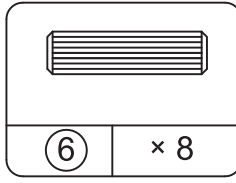
SCREW



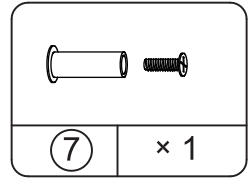
SCREW



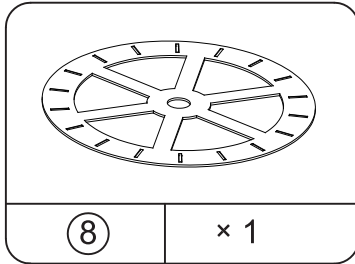
SCREW



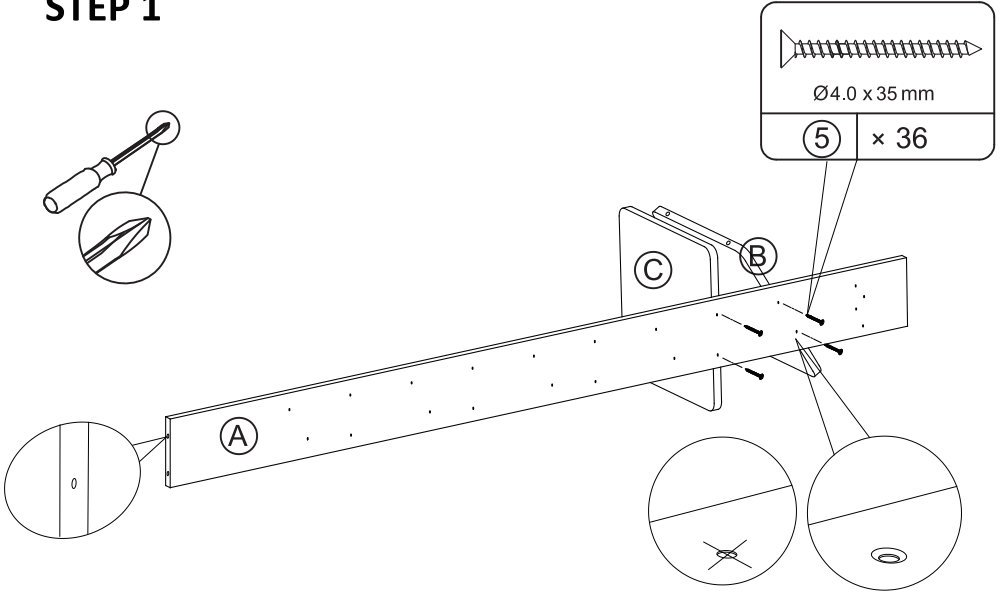
WOOD DOWEL



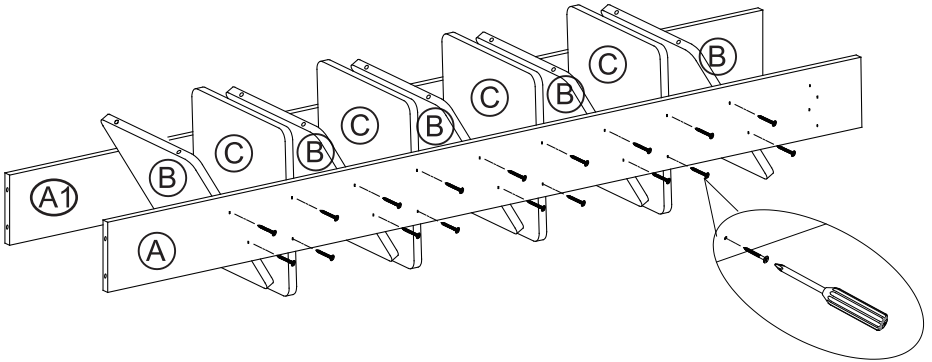
SCREW



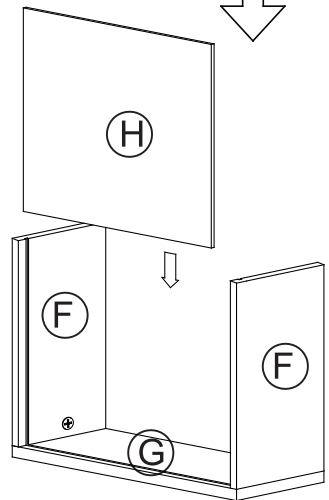
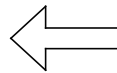
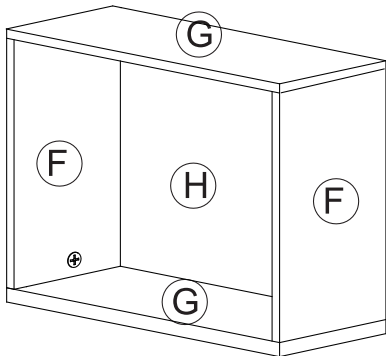
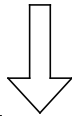
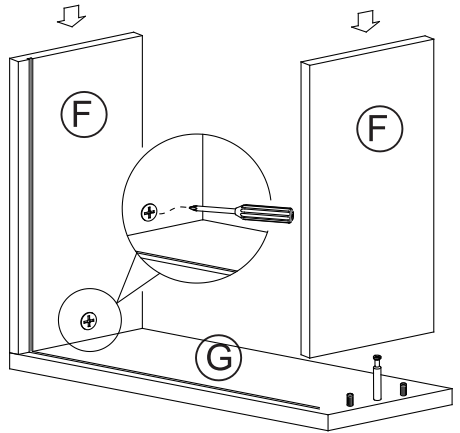
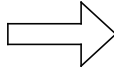
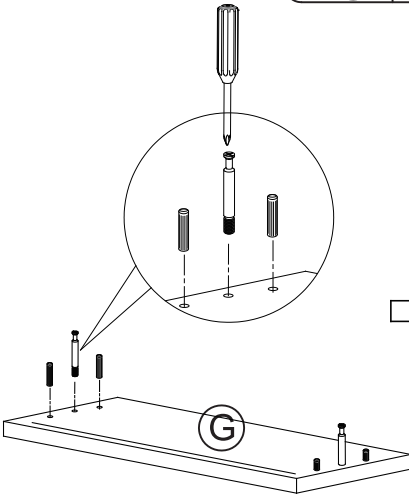
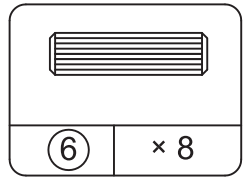
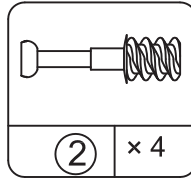
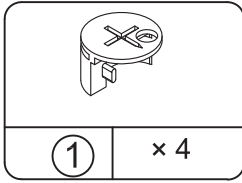
STEP 1




Bigger side outwards, smaller side inward.
Please be cautions at sept2/3.



STEP 2

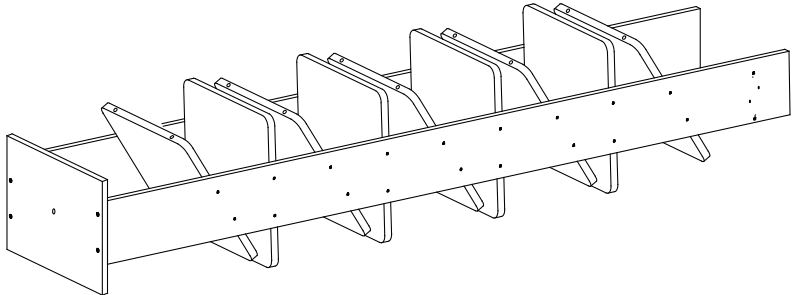
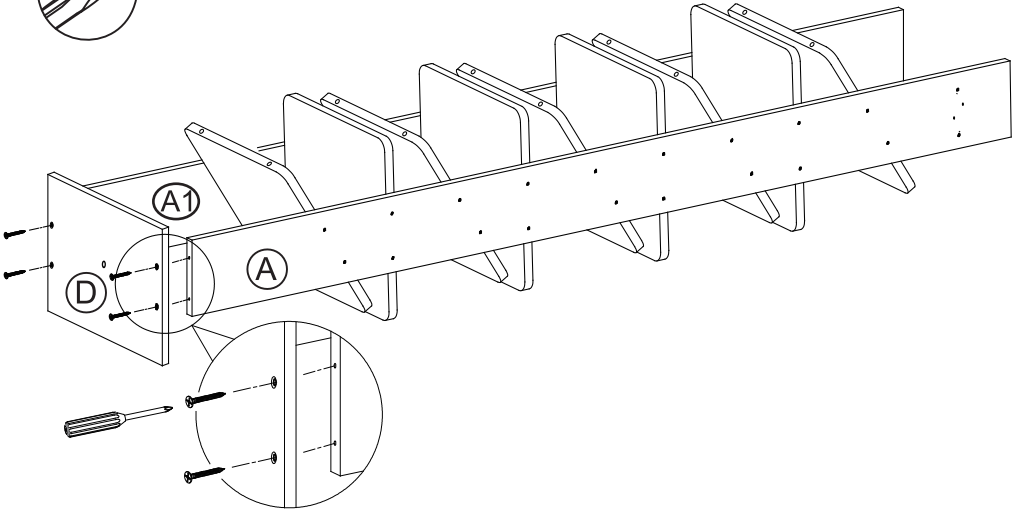


STEP 3

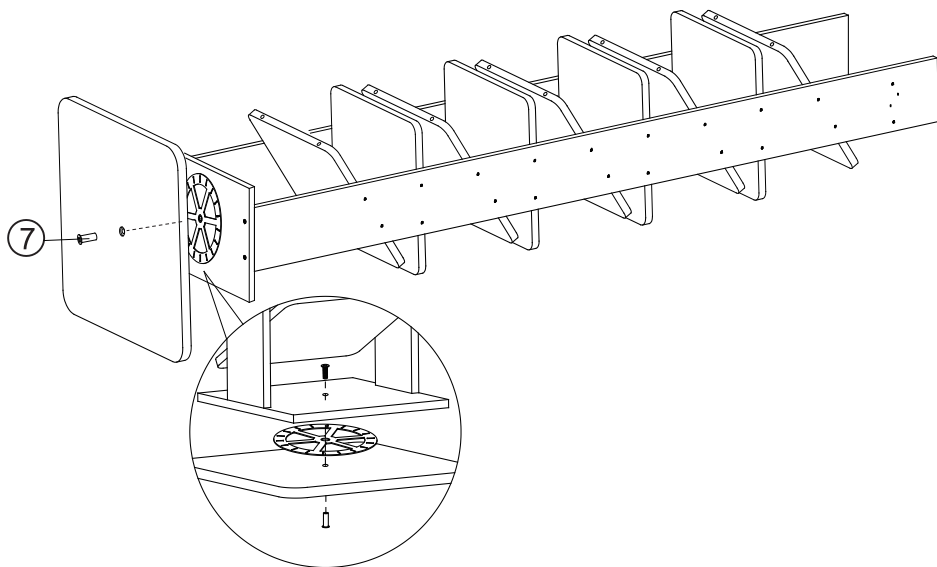
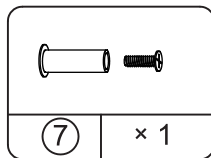
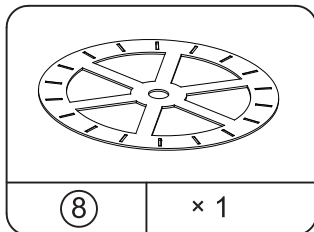


Ø4.0 x 35 mm

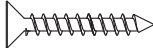
5	× 4
---	-----



STEP 4




STEP 5



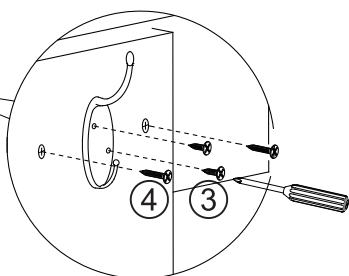
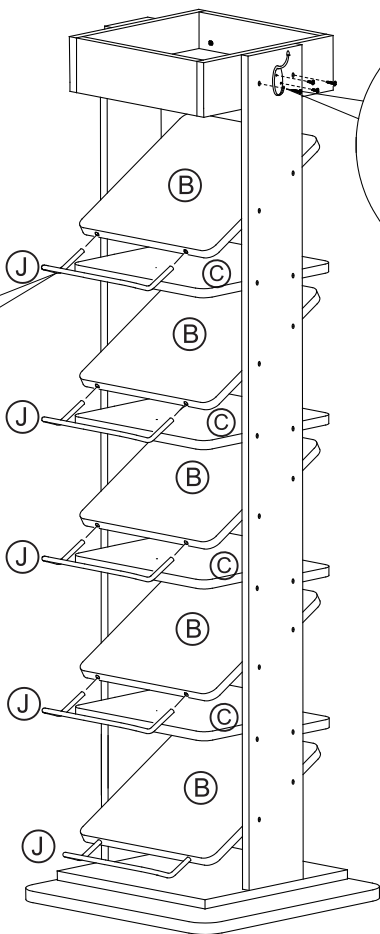
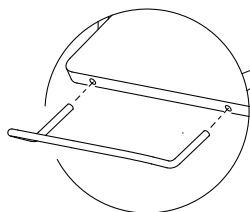
Ø4.0 x 20 mm

4	× 4
---	-----



Ø3.0 x 12 mm

3	× 4
---	-----



Care and Maintenance

Use a soft, clean cloth that will not scratch the surface when dusting.

Use of furniture polish is not necessary.

Should you choose to use polish, test first in an inconspicuous area.

Using solvents of any kind on your furniture may damage the finish.

Never use water to clean your furniture as it may cause damage to the finish.

Liquid spills should be removed immediately. Using a soft clean cloth, blot the spill gently. Avoid rubbing.

Check bolts/screws periodically and tighten them if necessary.

Further advice about wood furniture care

It is best to keep your furniture in a climate-controlled environment.

Extreme temperature and humidity changes can cause fading, warping, shrinking and splitting of wood.

It is advised to keep furniture away from direct sunlight as sun may damage the finish.

Proper care and cleaning at home will extend the life of your purchase.

Following these important and helpful tips will enhance your furniture as it ages.