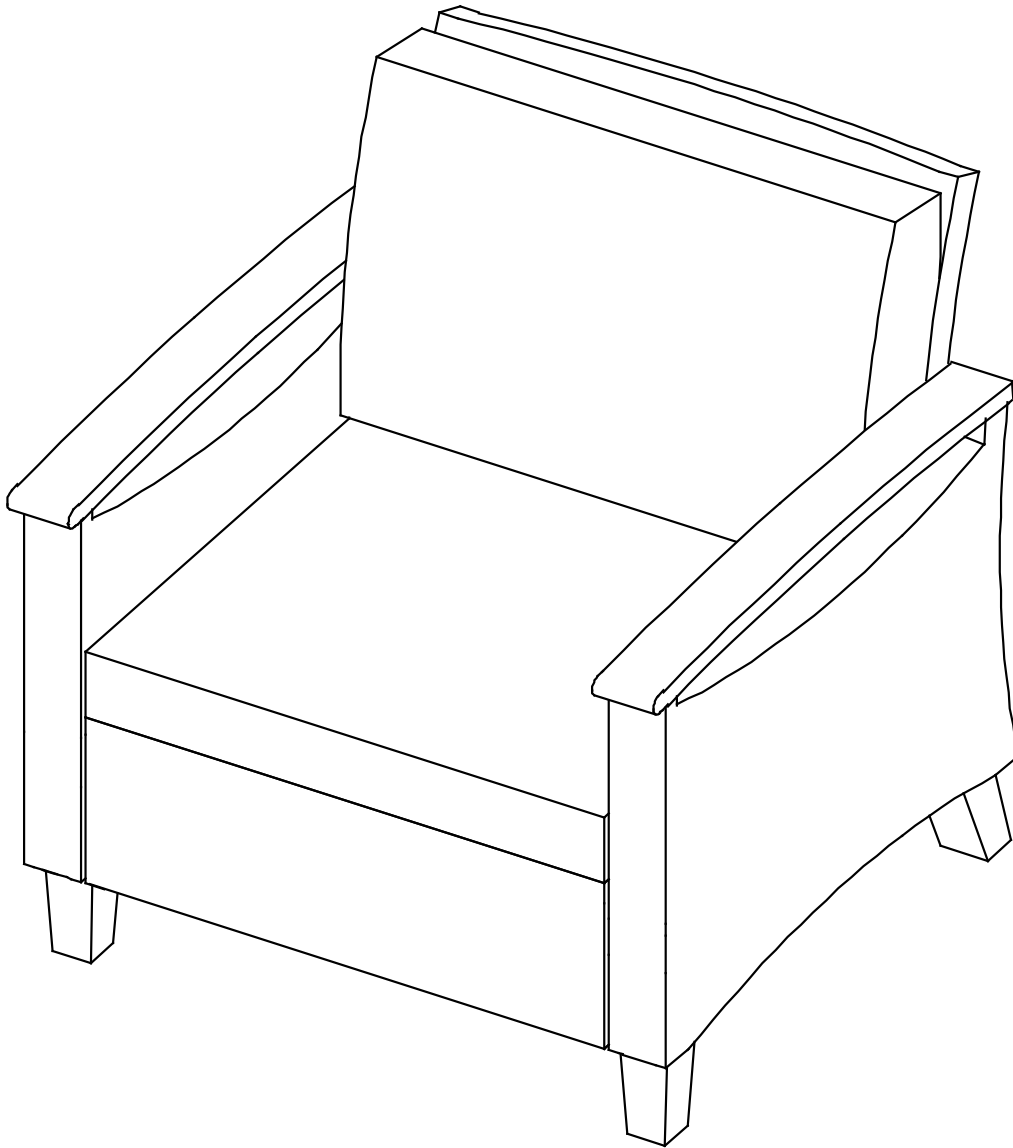


# Assembly Instructions

## Chair

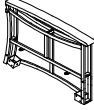
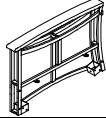
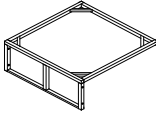


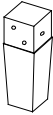
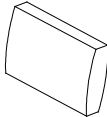
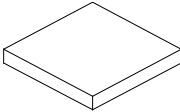
Please look in the under table top for hardware packs

**Caution: You must read this before you proceed.**

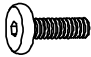







**CAUTION :** This Chair is NOT a TOY.  
Keep your child / children at bay in the process of assembly.  
For turning the Chair and to prevent damage to the Chair, 02 persons may be needed to execute this action.

## Part List

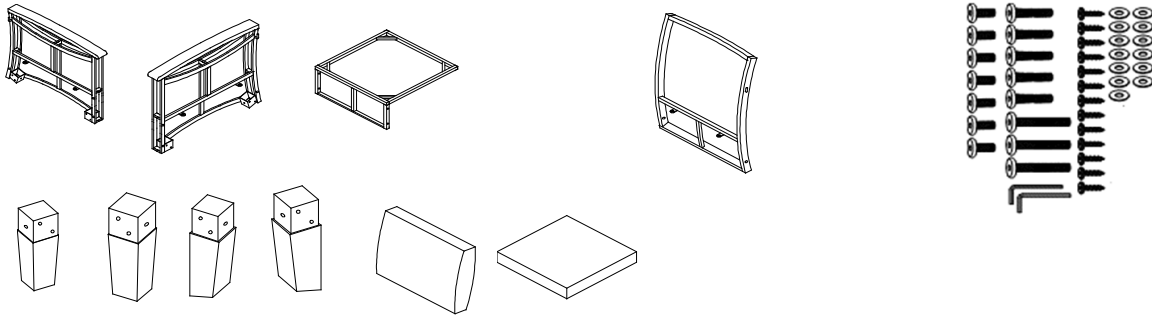
Label	Picture	Description	QTY
I		Right Arm Panel	1
J		Left Arm Panel	1
K		Seat Panel	1
L		Backrest Panel	1
M		First Leg	2
N		Second Leg	2
O		Back Cushion	1
P		Seat Cushion	1






## Hardware

Label	Picture	Description	QTY
⑦		Bolt (M6x20mm)	7
⑧		Bolt (M6x30mm)	5
⑨		Bolt (M6x40mm)	3
⑩		Screw (M6x20mm)	13
⑪		Washers (M6x16x1mm)	13
⑫		Allen Key	2

# Assembly Preparation

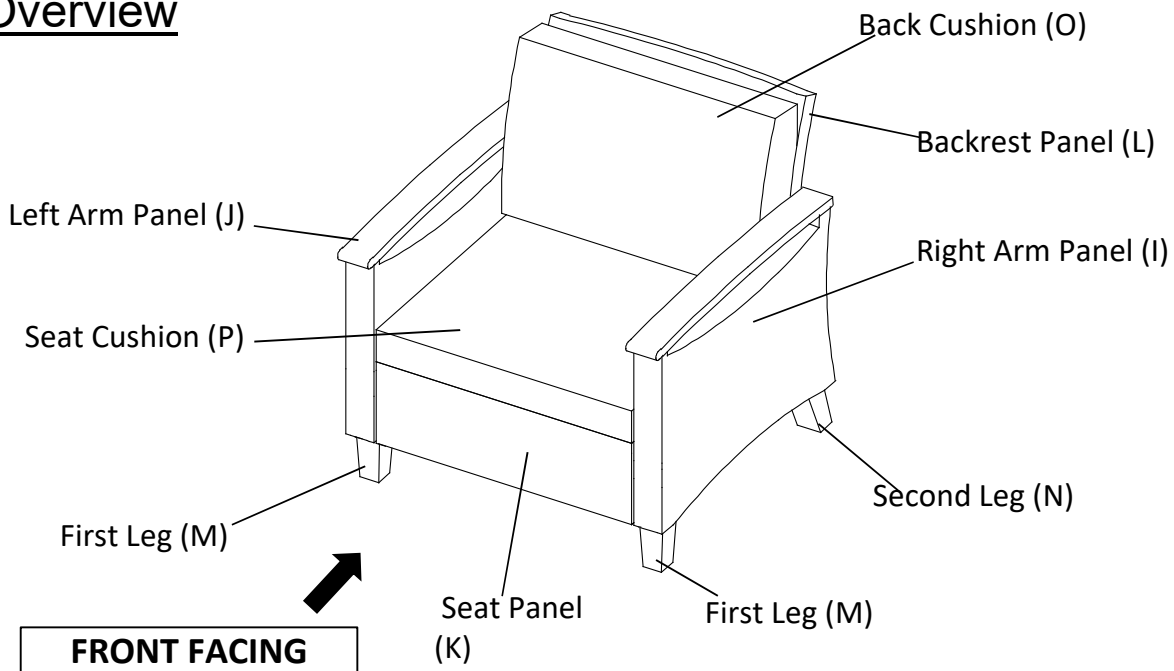
Before Beginning Assembly:



-  • Read instructions, cover to cover-
-  • Have 2 adults on hand for assembly-
-  • Do not assemble on flooring or carpet-
-  • Assemble on a clean non-marring surface (packing foam)-
-  • Save all packaging until finished-

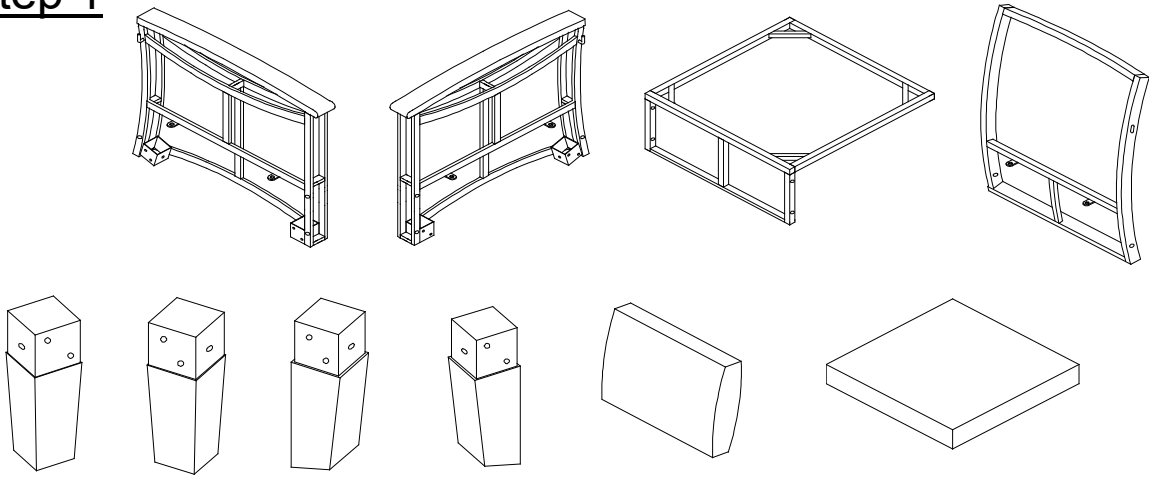
# Assembly Steps

## Overview



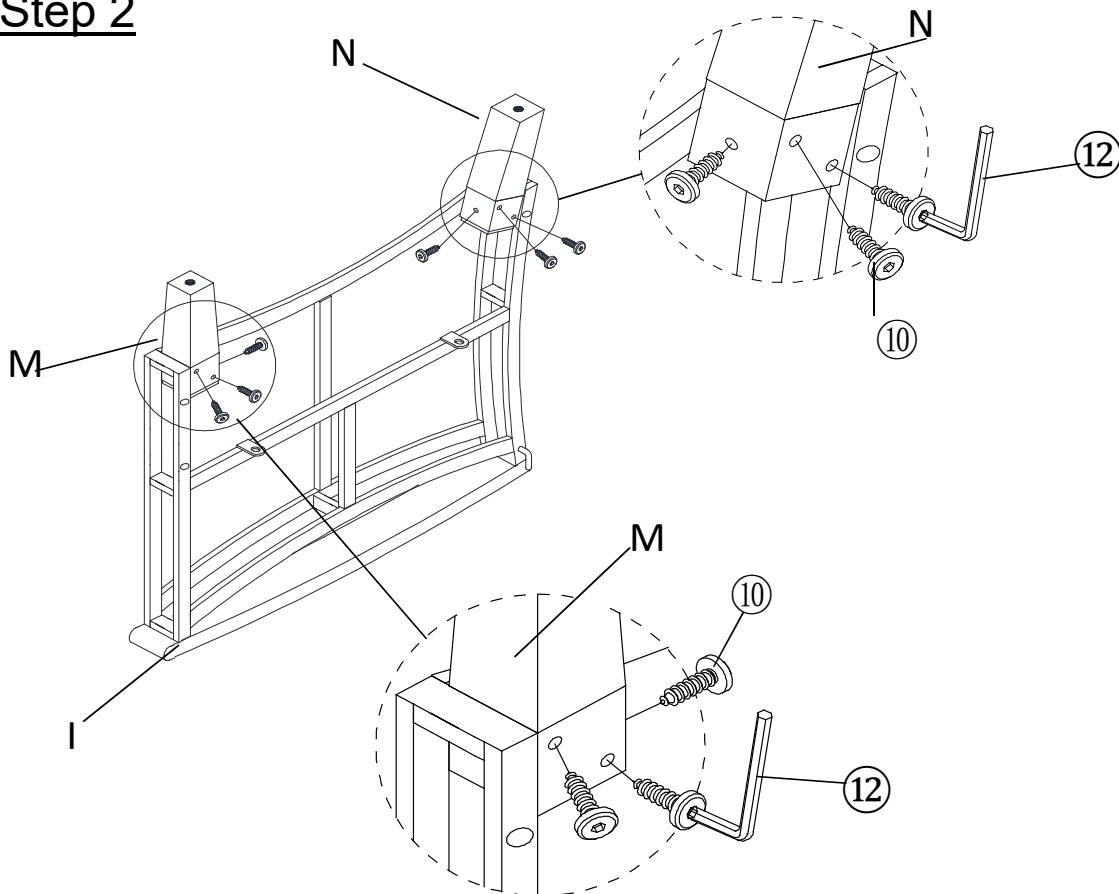
This Chair has multiple parts and may require up to 30 minutes to assemble. To give you an overview of the Chair parts, the above picture is to help you put the various parts into perspective. Please read through the instructions here below to familiarise the parts and steps before assembly.

## Step 1



Unpack and place all parts on a clean, non-marring surface.

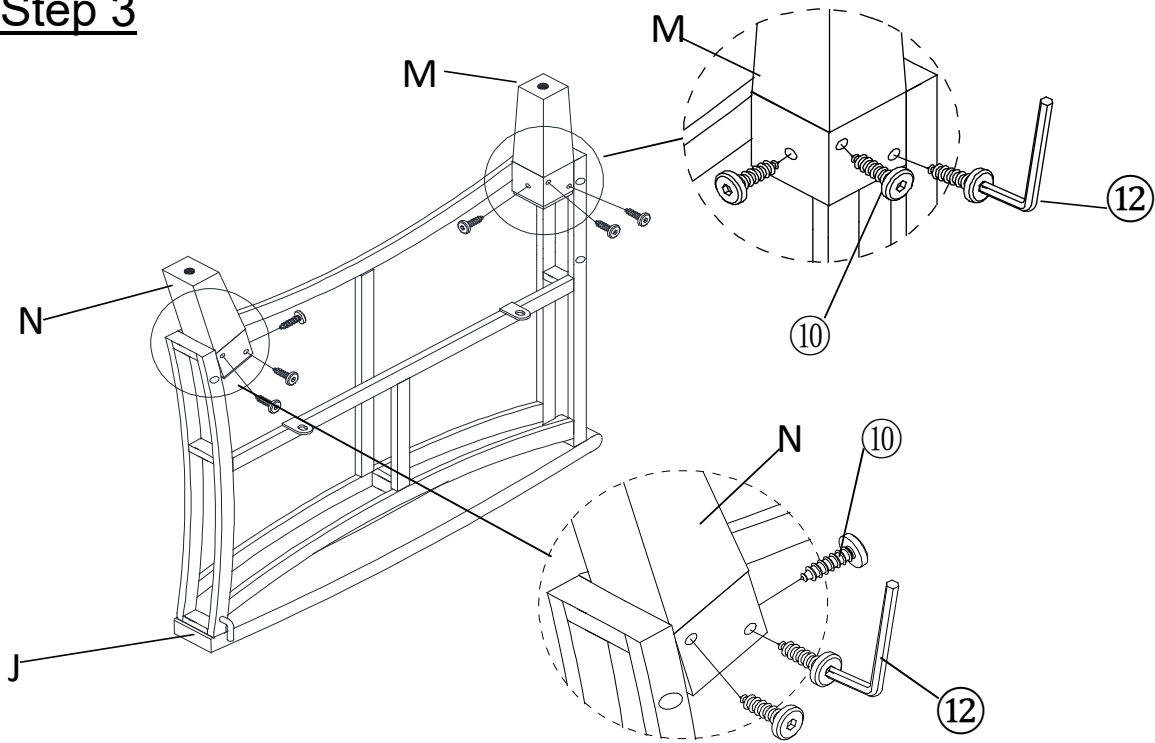
## Step 2



With the help of your adult partners, attached the tenons of First Leg (M), Second Leg(N) into the Right Arm Panel (I) using Screws (10) with Allen Key (12) as as shown above.

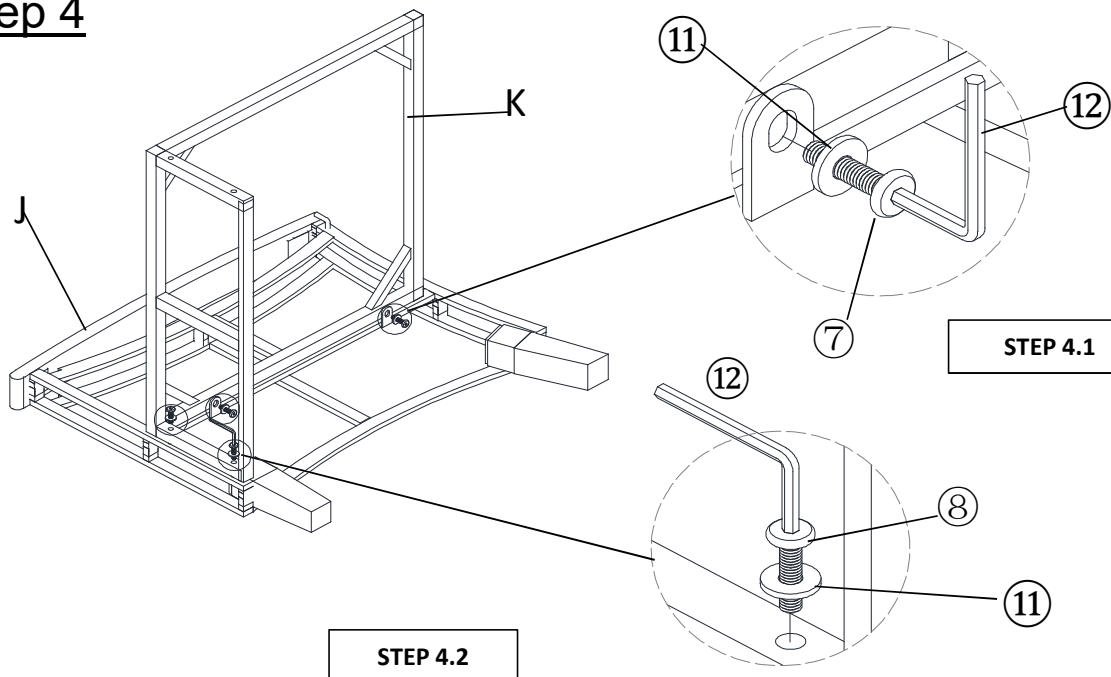
**Do not fully tighten the Screws.**

### Step 3



Repeat the same process as step 2 with the Left Arm Panel (J) with First Leg (M), Second Leg(N)

### Step 4

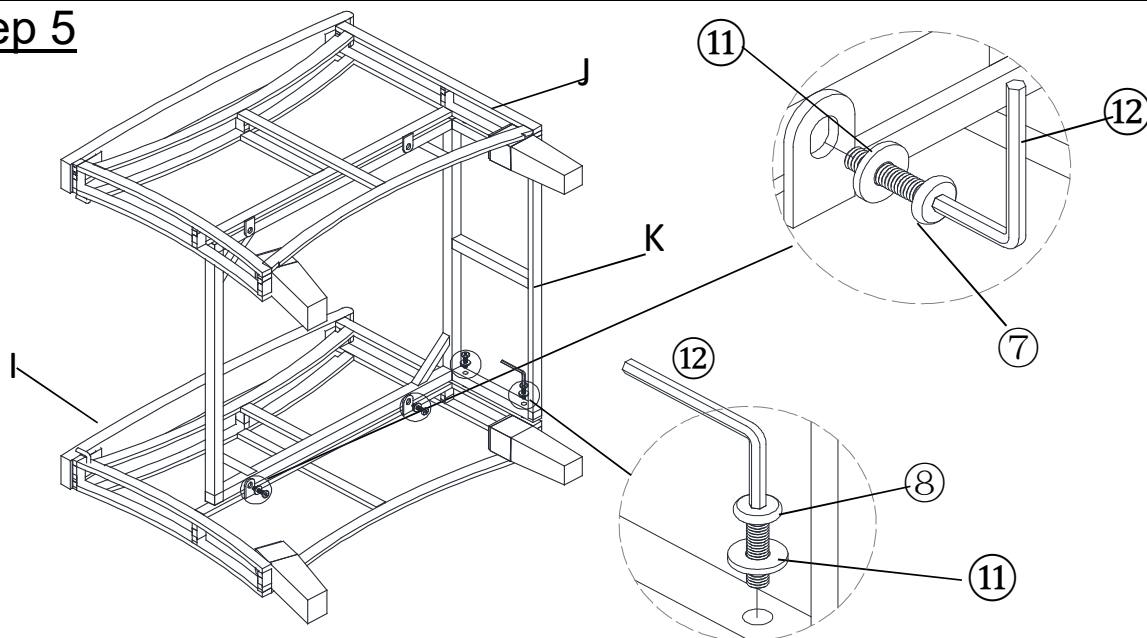


4.1) Attach the Seat Panel (K ) to Left Arm Panel (J ) using Bolt (⑦), Washers (⑪) and Allen Key (⑫) as shown above.

4.2) Secure the Seat Panel (K) to the Left Arm Panel (J) using Bolt (⑧), Washers (⑪) and Allen Key (⑫) as shown above.

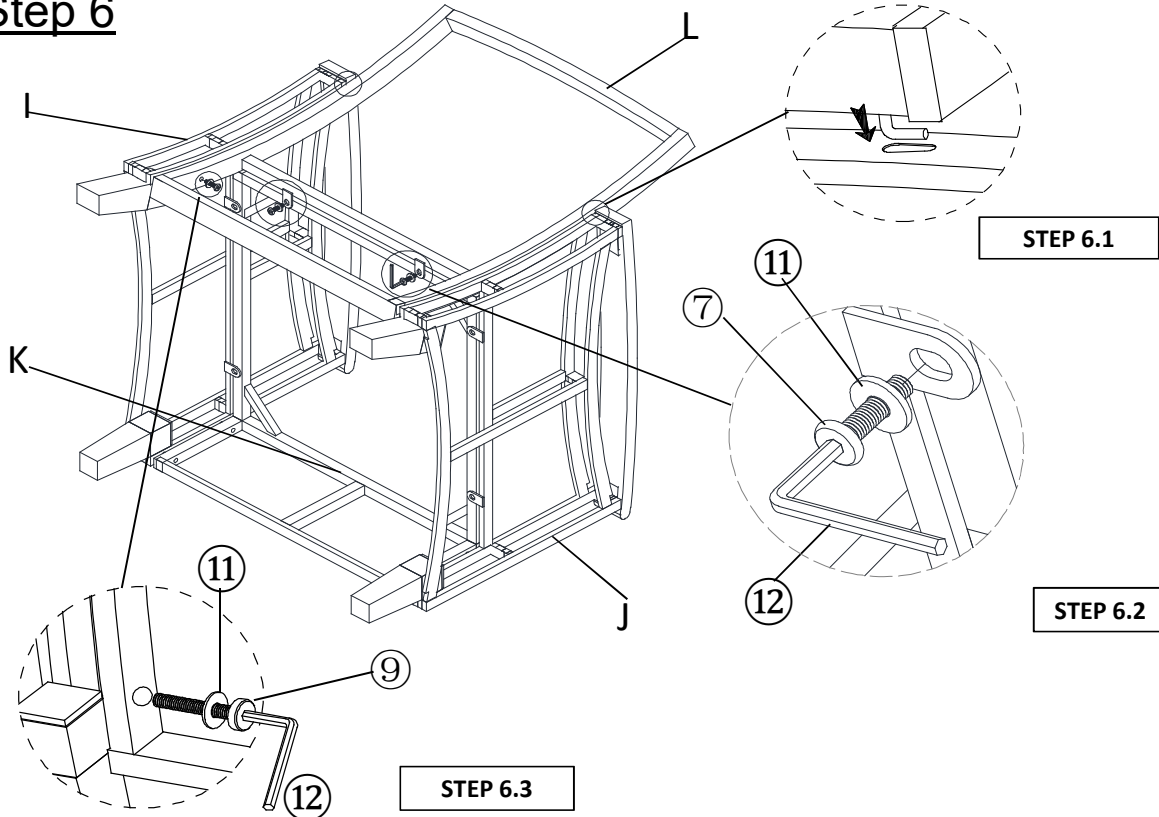
**Do not fully tighten the Bolts**

## Step 5



With the help of your adult partner, turn the chair right side up and repeat the same process with Right Arm Panel (I)

## Step 6



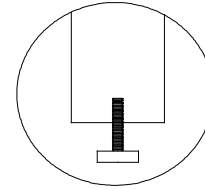
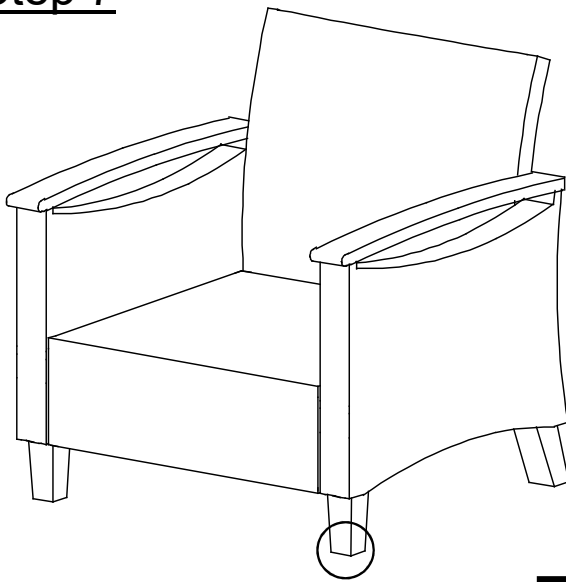
6.1) With the help of your adult partner, lay down the Chair with position as picture above and insert the tenons of the Backrest Panel (L) into the hook of Left Arm Panel (J) and Right Arm Panel (I) as shown above

6.2) Secure the Backrest Panel (L) to the Seat Panel (K) using Bolt (7), Washer (11) with Allen Key (12) as shown above

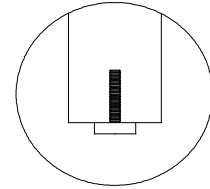
6.3) Secure the Backrest Panel (L) to the Left Arm Panel (J) and Right Arm Panel (I) using Bolt (9), Washer (11) with Allen Key (12) as shown above

**Do not fully tighten the Bolts**

## Step 7



Adjust height for balance

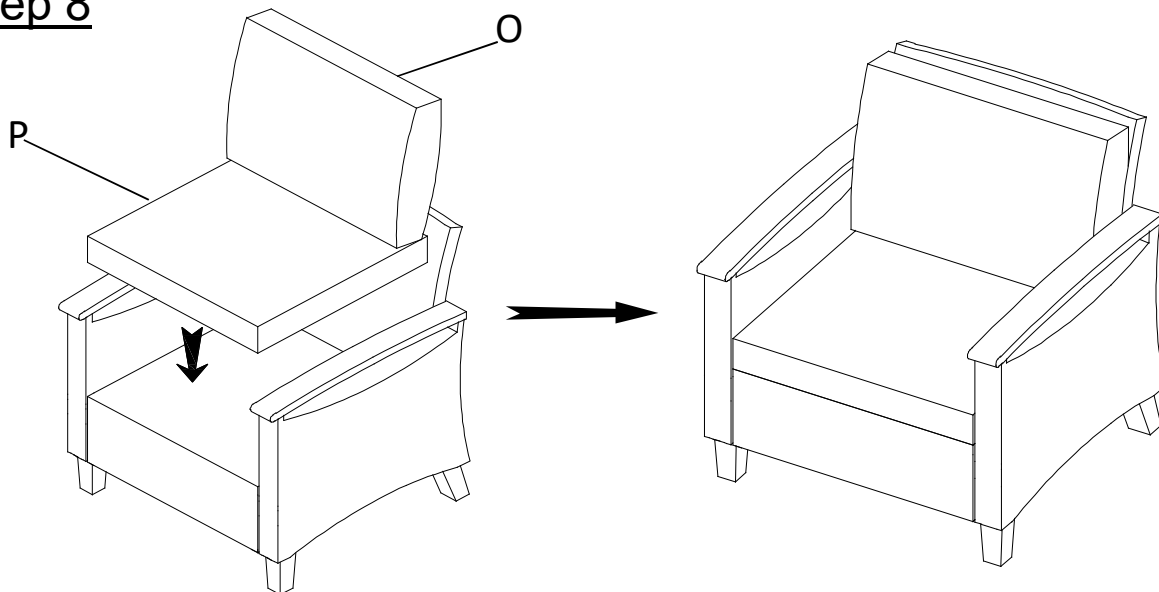


Adjust low for balance

Adjust Pre-installed Levellers  
height for balance



















Place the Chair onto a flat, level surface.  
Then EXERT pressure, floorwards onto the Chair with both hands.  
This pressure will help the Chair reach full alignment at all joints.  
In a sequential manner, gradually tighten all Bolts at all joints until evenly secured.  
Inspect the Chair and make sure all parts are adequately connected.  
Adjust the Levellers until the Chair is level with the ground.  
To adjust the Levellers, get assistance from an adult partner to lift/lean and hold the Chair while you are working.

## Step 8





Place Seat Cushion (P) and Back Cushion(O) onto the Chair.  
**The Chair is ready to be used.**  
**Caution: This Chair can only be used on a flat, level surface.**

## Care & Maintenance

-   ● Do not put hot items directly on furniture surface
-   ● Do not clean furniture with harsh cleansers or polish.
-   ● To obtain the longest lifespan of your outdoor products, minimizing exposure to direct sunlight is recommended.
-   ● Children should not climb or jump on the furniture.
-   ● Do not write on furniture without a padded barrier to protect the surface.
-   ● To obtain the longest lifespan of your outdoor products, avoid extended and lengthy exposure to rain, snow, and direct sunshine. Whenever possible cover the product and /or place under patio or awnings.
-   ● Not for commercial use. For residential use only .
-   ● Stains may be removed with mild soap solution and damp cloth.
-   ● Keep away from sources of ignition.

---

-   ● Dust and pick-up spills using a clean, non-colored, lint-free cloth.