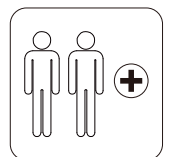
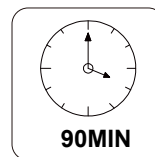
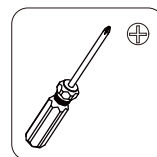
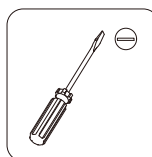
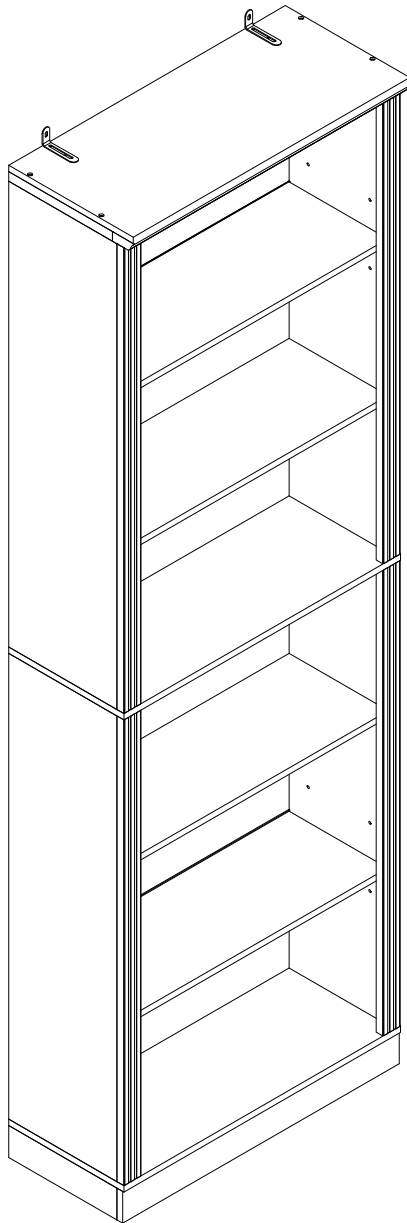
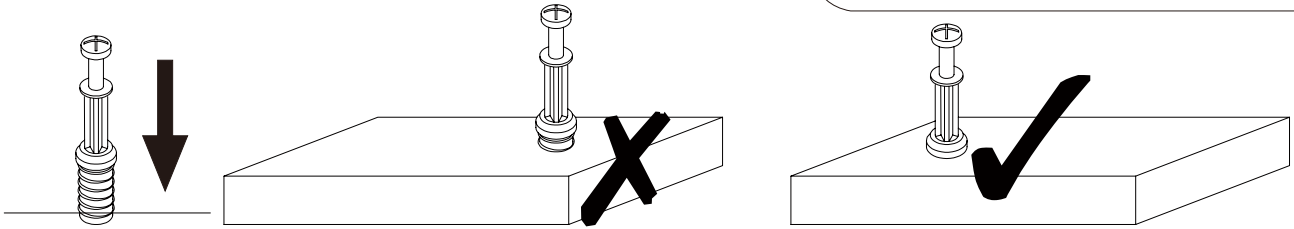


Installation & Assembly

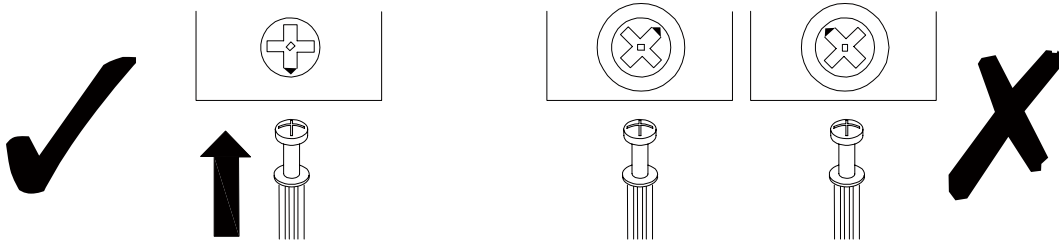


EN_IMPORTANT, RETAIN FOR FUTURE REFERENCE: READ CAREFULLY.

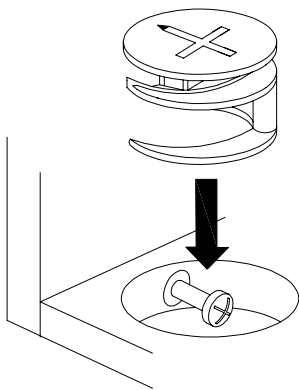
USING CAM LOCK AND QUICKFIT



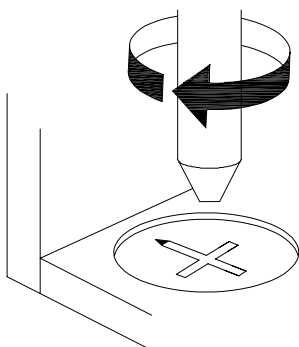
EN_QUICKFIT: Tighten quickfit until shoulder is flush with panel. Do not overtighten or undertighten.



EN_CAM LOCK: When fitting cam lock, ensure starting position is correct before you insert connecting quickfit.

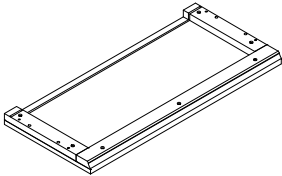
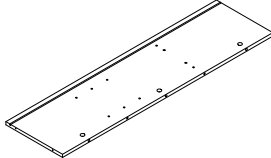
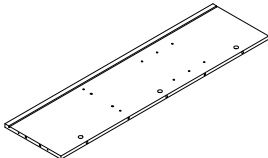
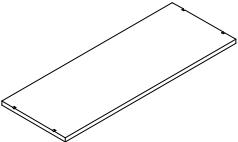
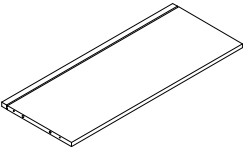
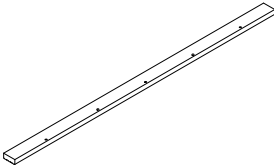
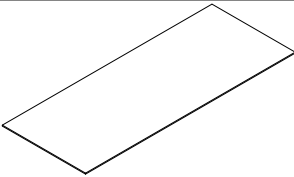
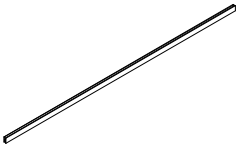
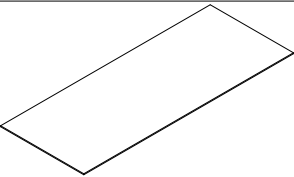
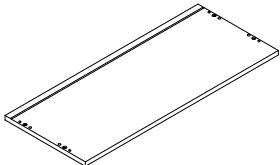


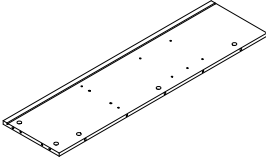
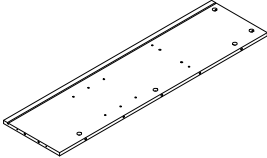
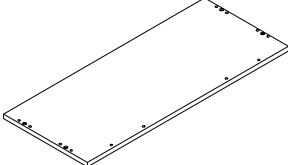
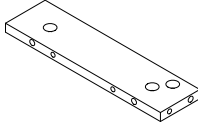
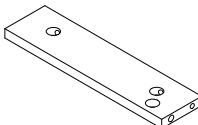
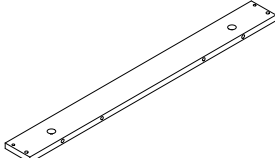
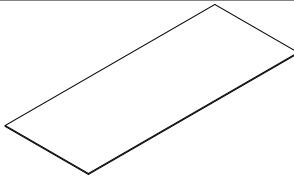
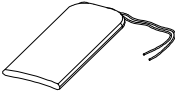
EN_Quickfit head should be in the centre of the cam lock when the two panels are joined.
Cam lock should be inserted before quickfit.

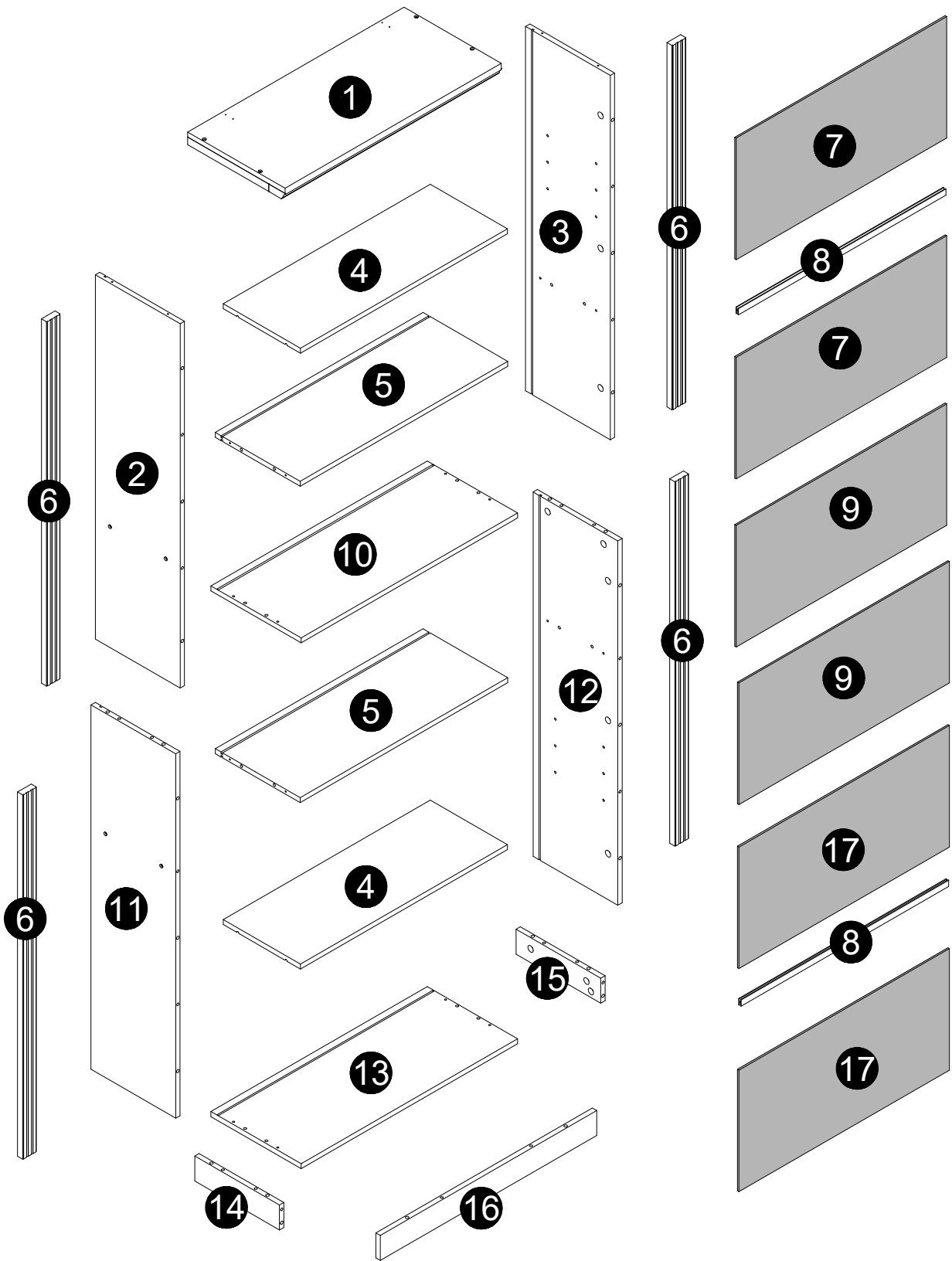


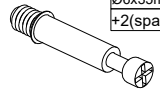

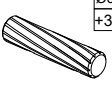
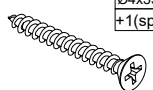
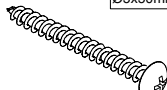

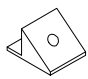
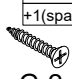
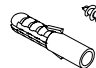
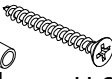

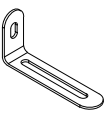
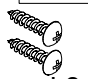
EN_Turn cam lock clockwise to tighten.

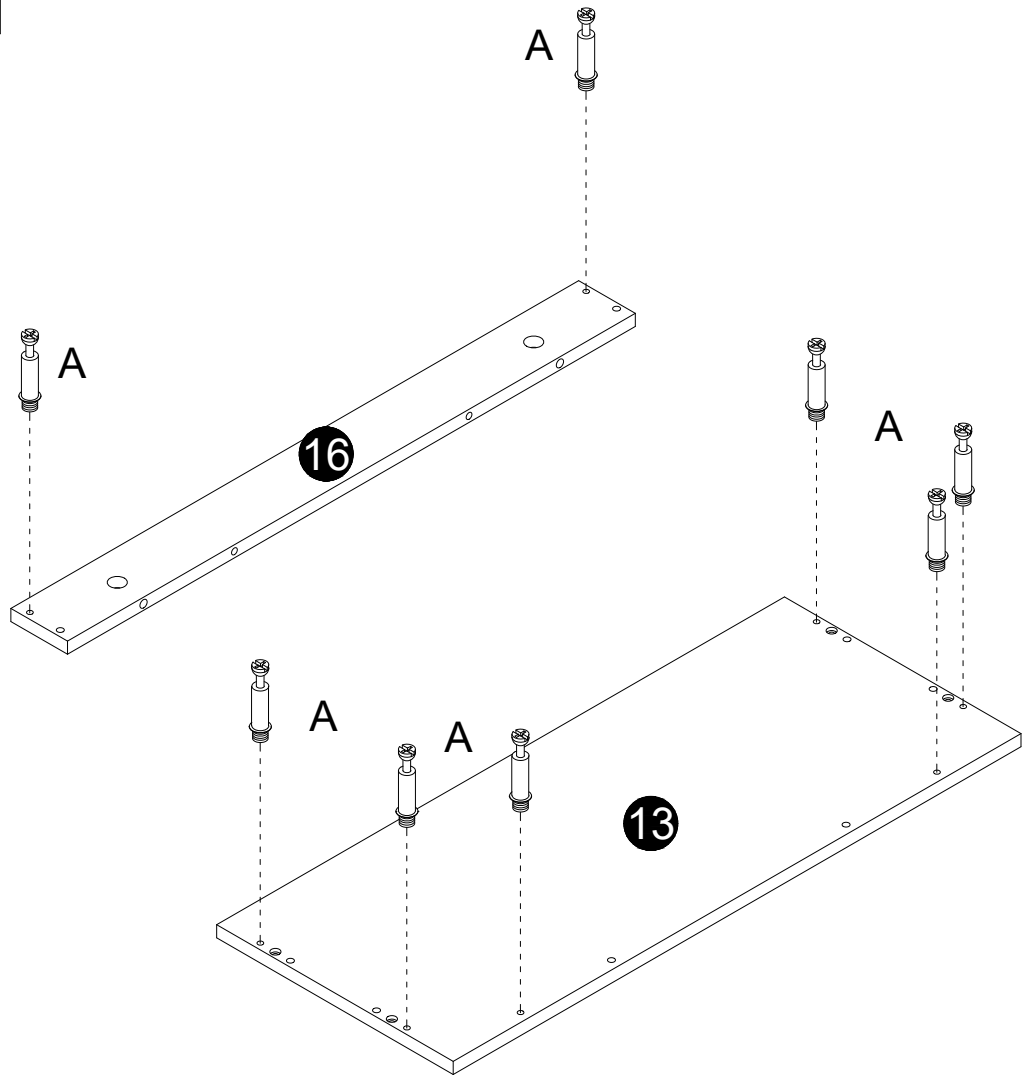
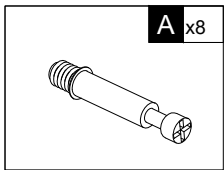
PACKING DELALS

NO.	PARTS	QTY	SPARE
①		x1	
②		x1	
③		x1	
④		x2	
⑤		x2	
⑥		x4	
⑦		x2	
⑧		x2	
⑨		x2	
⑩		x1	

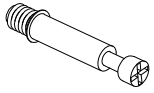
NO.	PARTS	QTY	SPARE
⑪		x1	
⑫		x1	
⑬		x1	
⑭		x1	
⑮		x1	
⑯		x1	
⑰		x2	
			
	Hardware Kit		



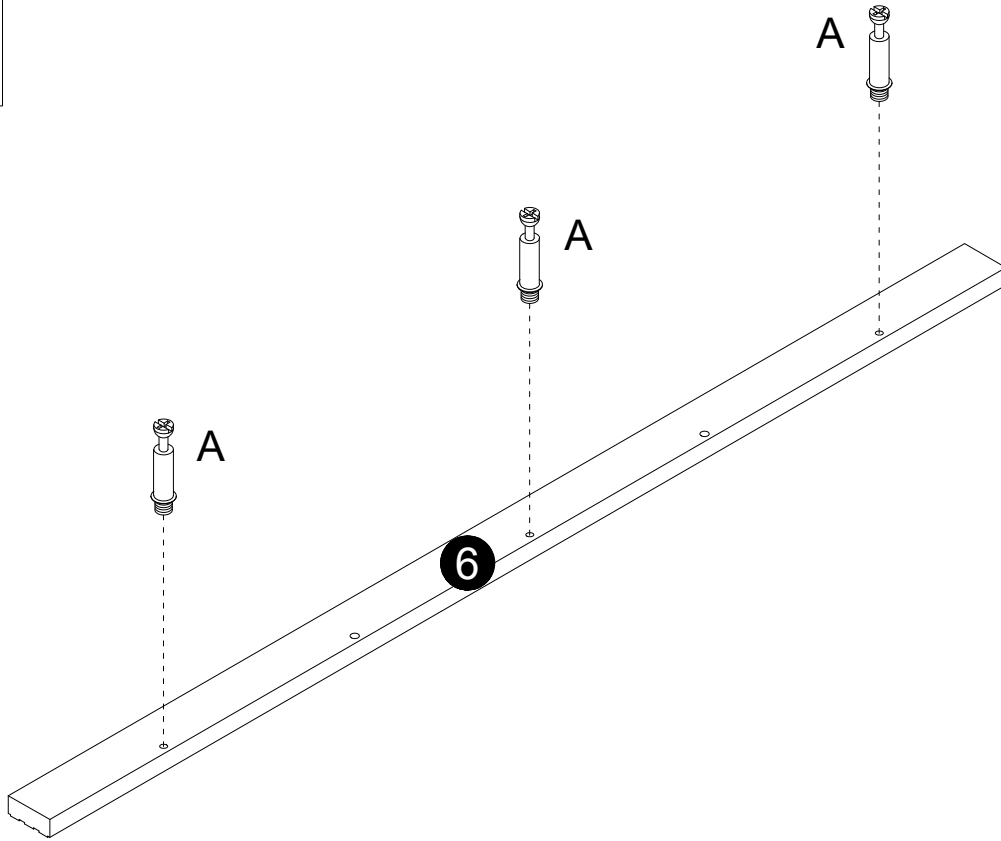
 <p>A x24 Ø6x35mm +2(spare)</p>	 <p>B x24 Ø15x10mm +2(spare)</p>	 <p>C x40 Ø6x30mm +3(spare)</p>	 <p>D x16 Ø4x35mm +1(spare)</p>	 <p>E x4 Ø5x50mm</p>	 <p>F x31 Ø20mm +2(spare)</p>
 <p>G-1</p>  <p>G-2 Ø3x16mm +1(spare)</p>	 <p>H-1</p>  <p>H-2</p>	 <p>I x8</p>	 <p>J-1</p>  <p>J-2 Ø4x14mm</p>		



A x6



02



x2

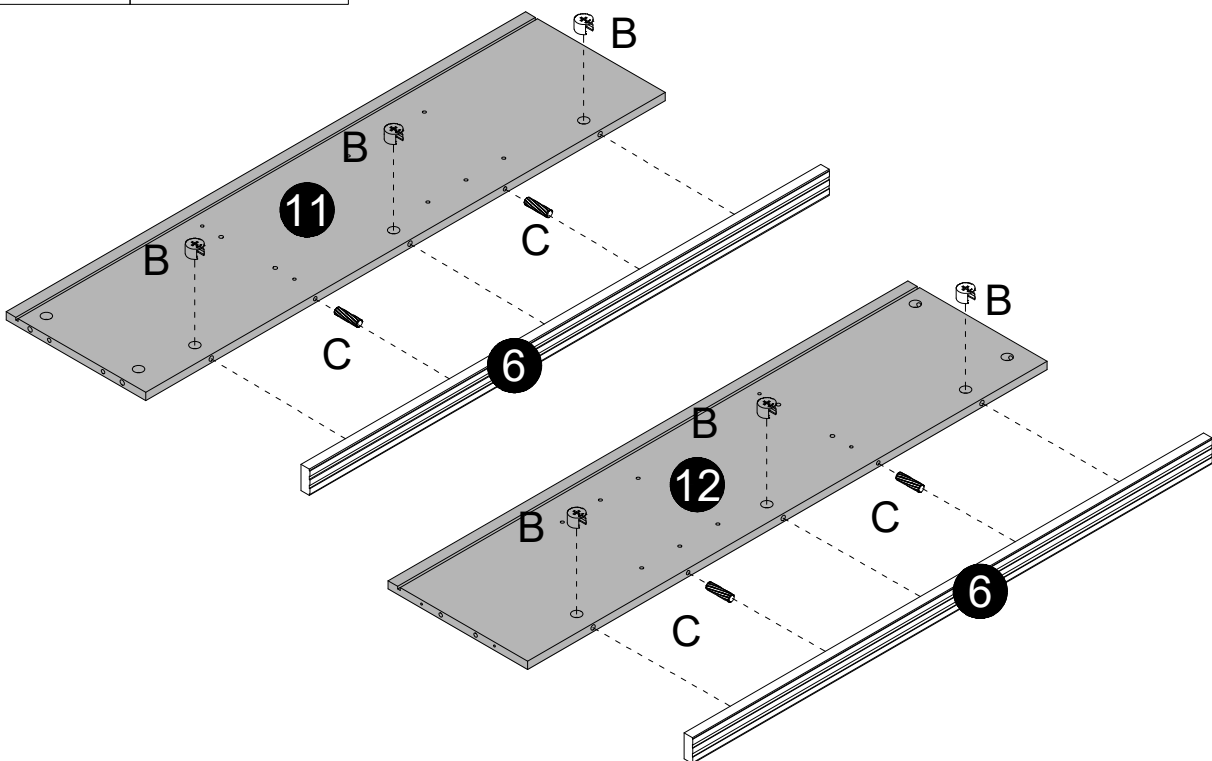
B x6



C x4

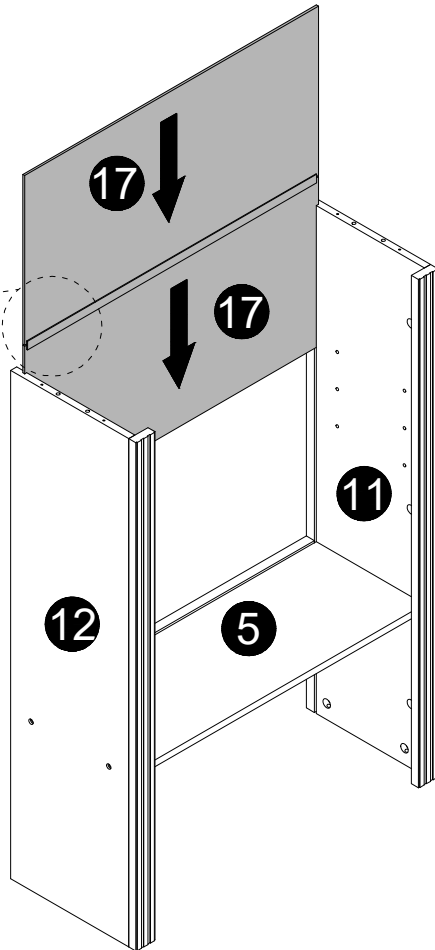
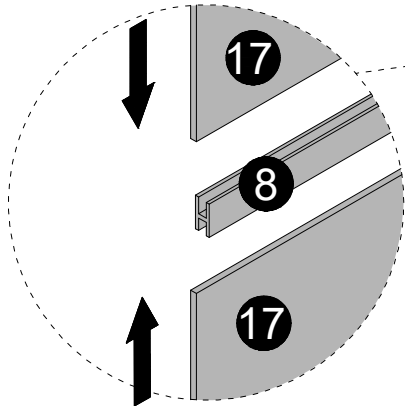
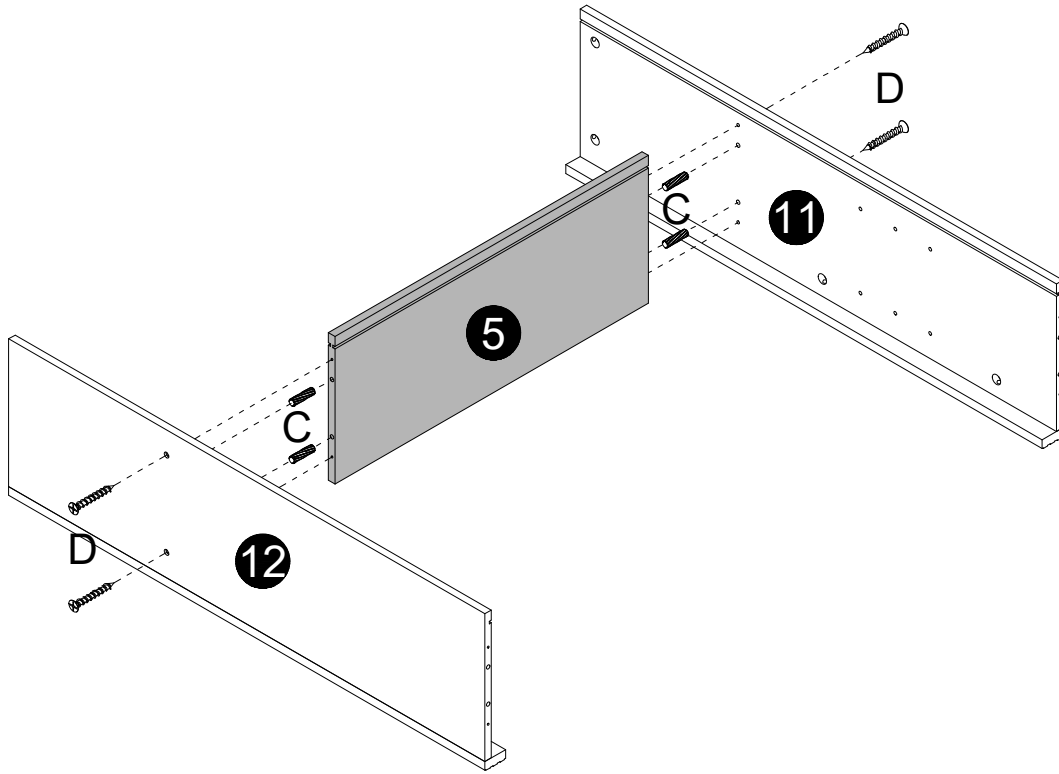
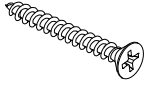
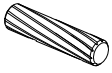


03



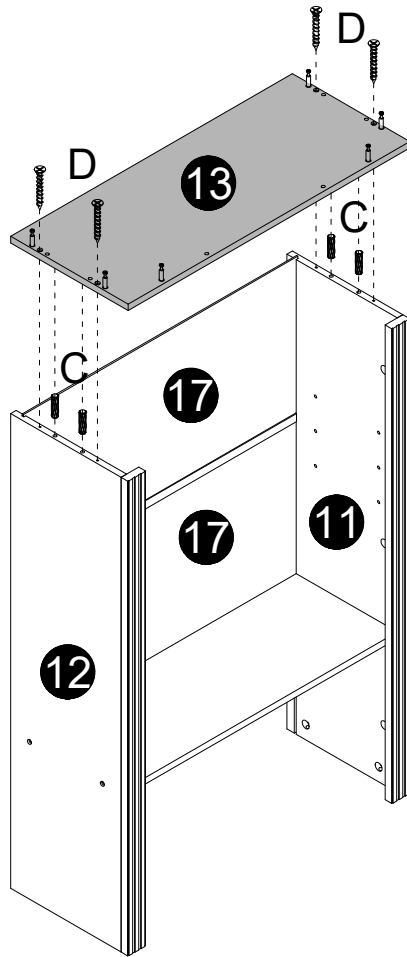
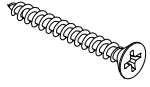
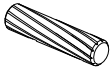
C x4

D x4



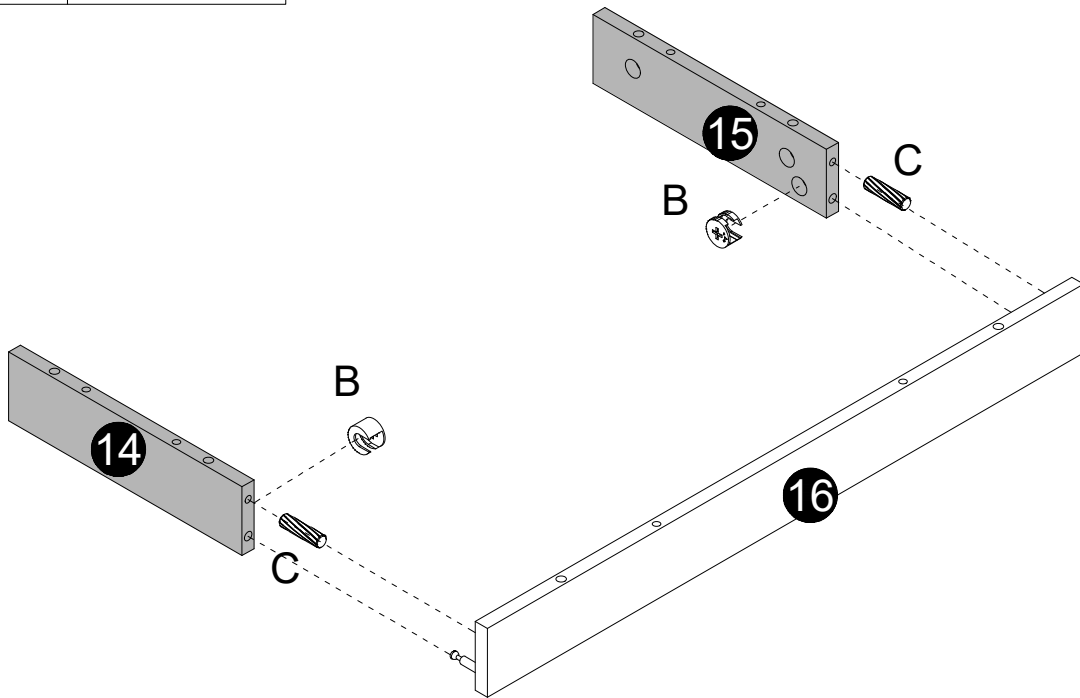
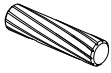
C x4

D x4



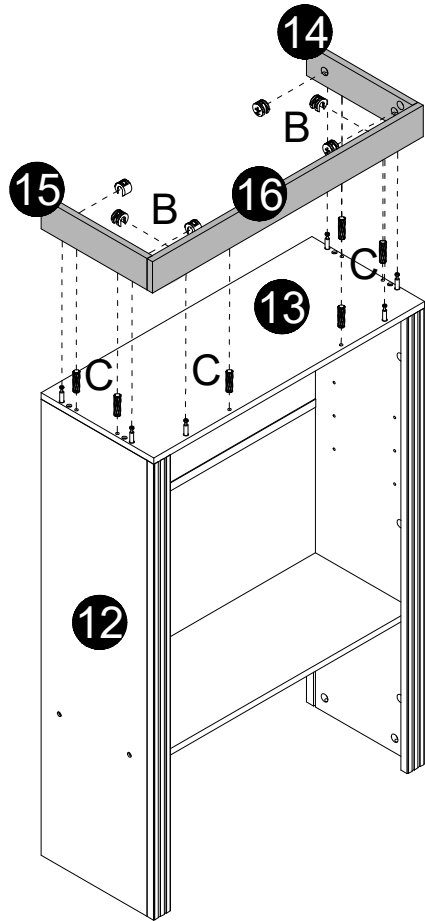
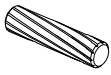
B x2

C x2

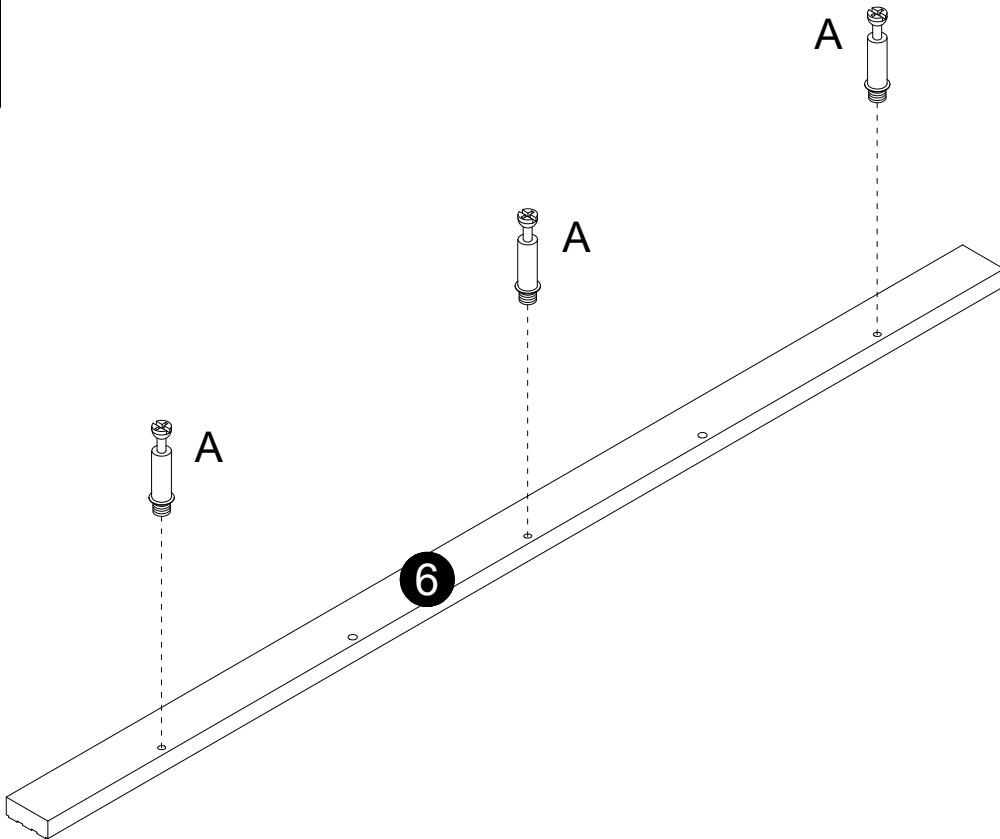
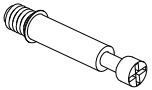


B x6

C x6



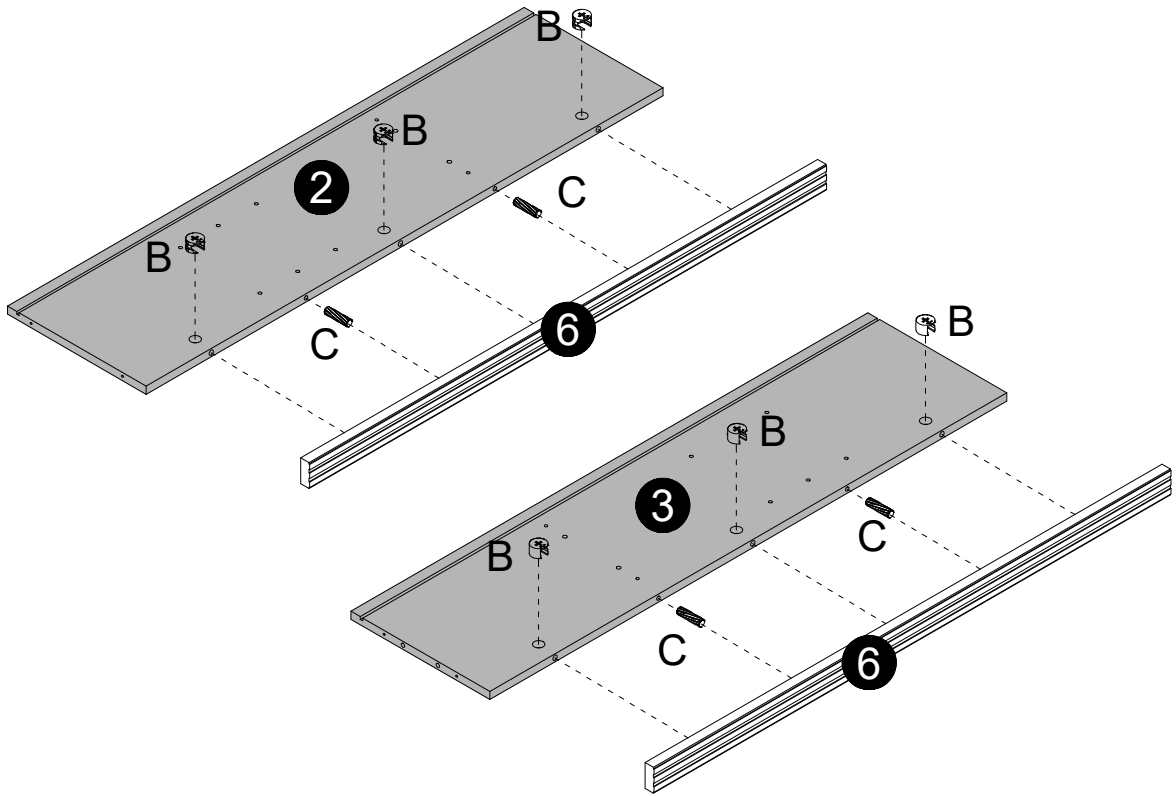
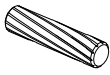
A x6



x2

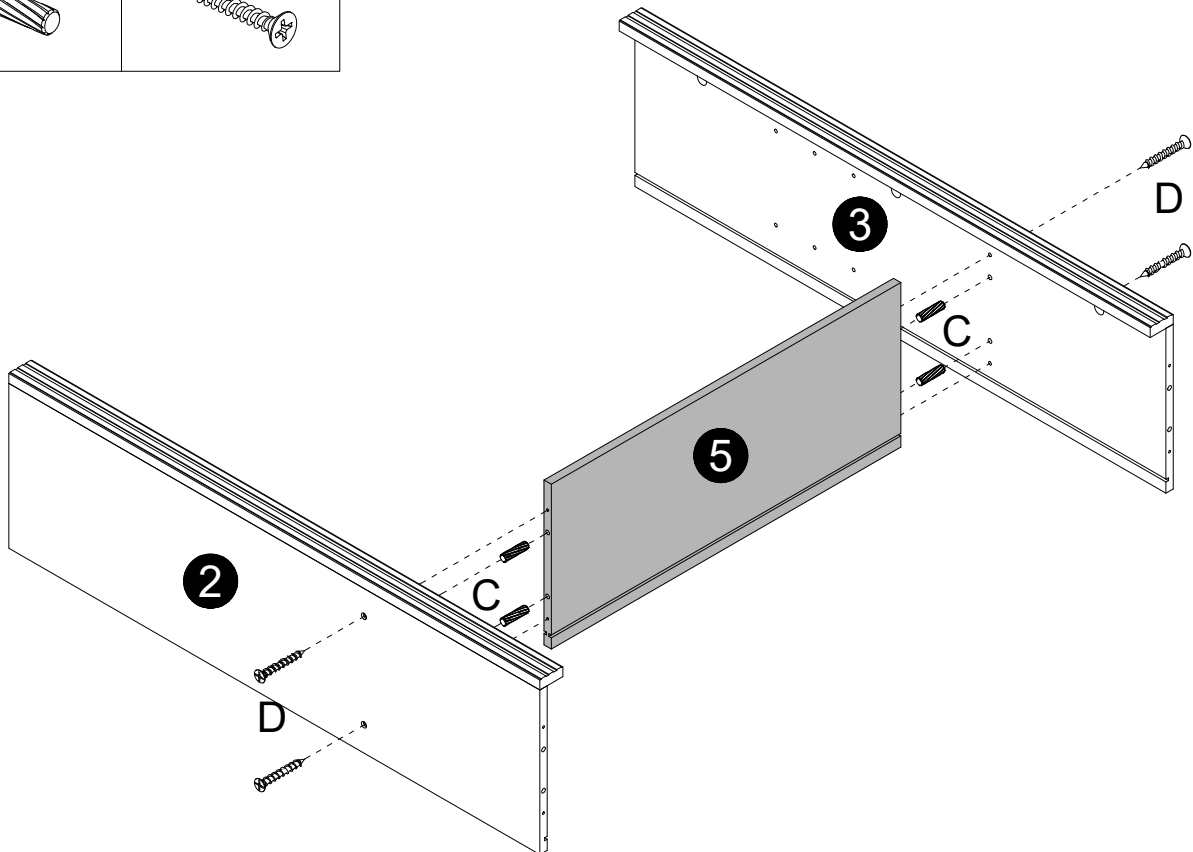
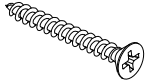
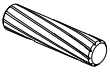
B x6

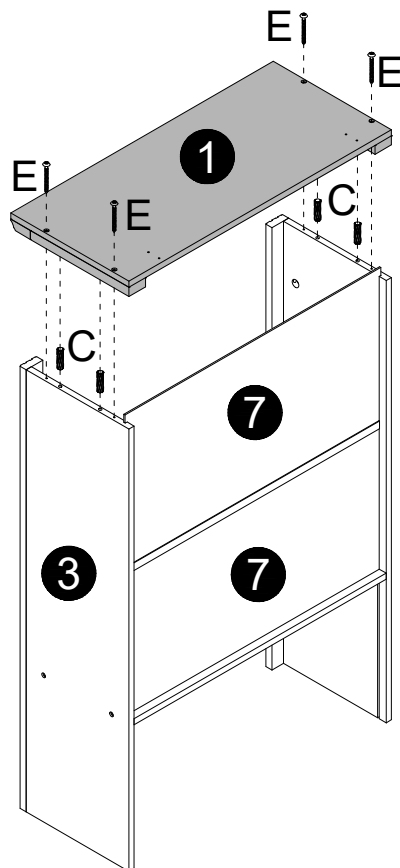
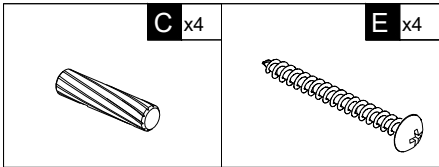
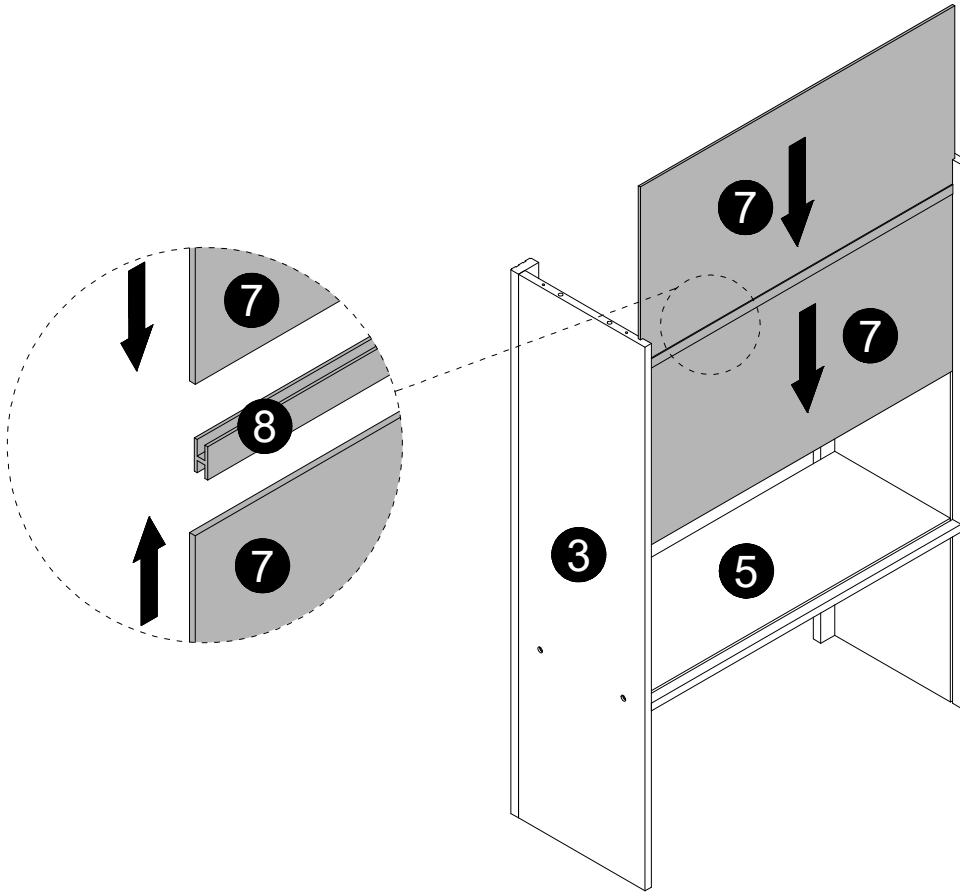
C x4



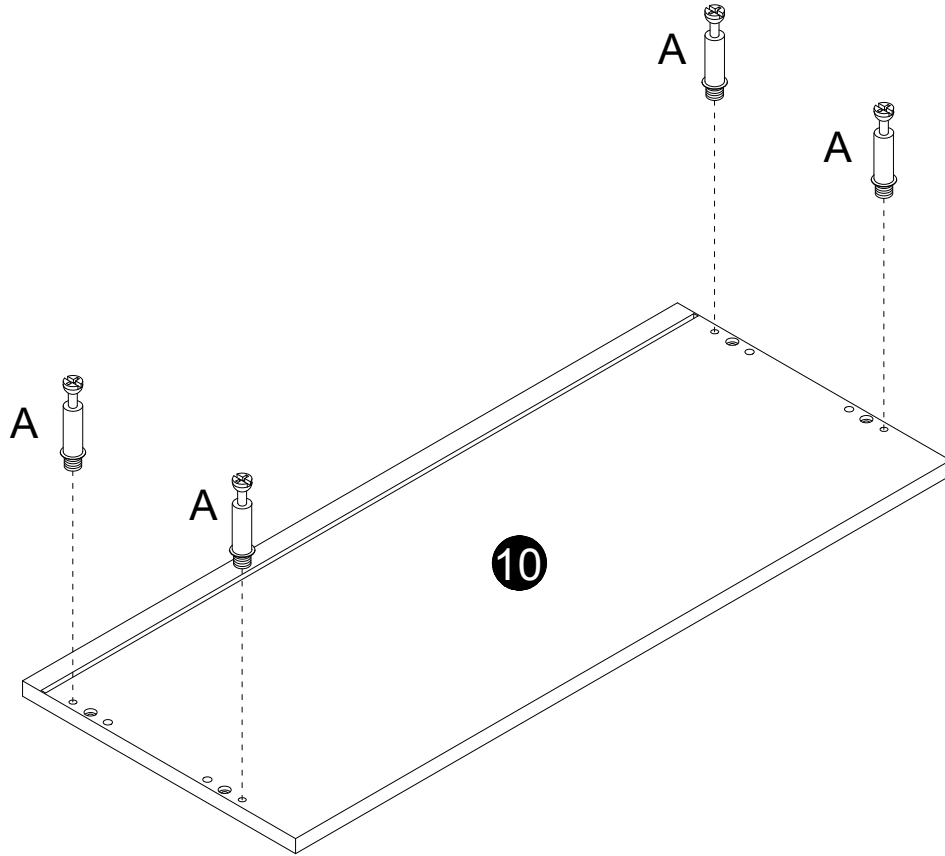
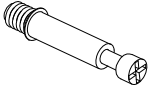
C x4

D x4



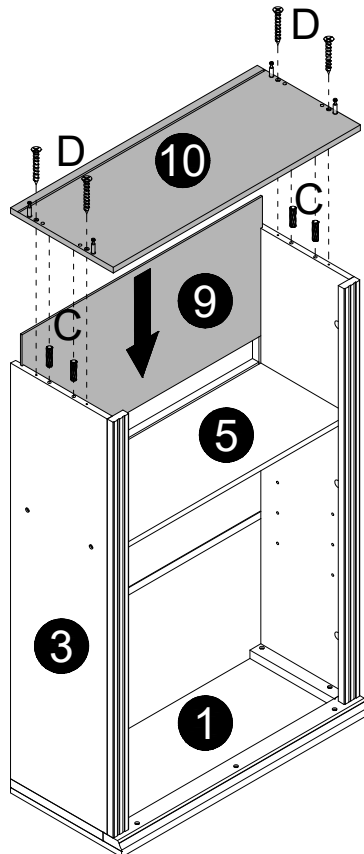
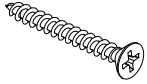


A x4



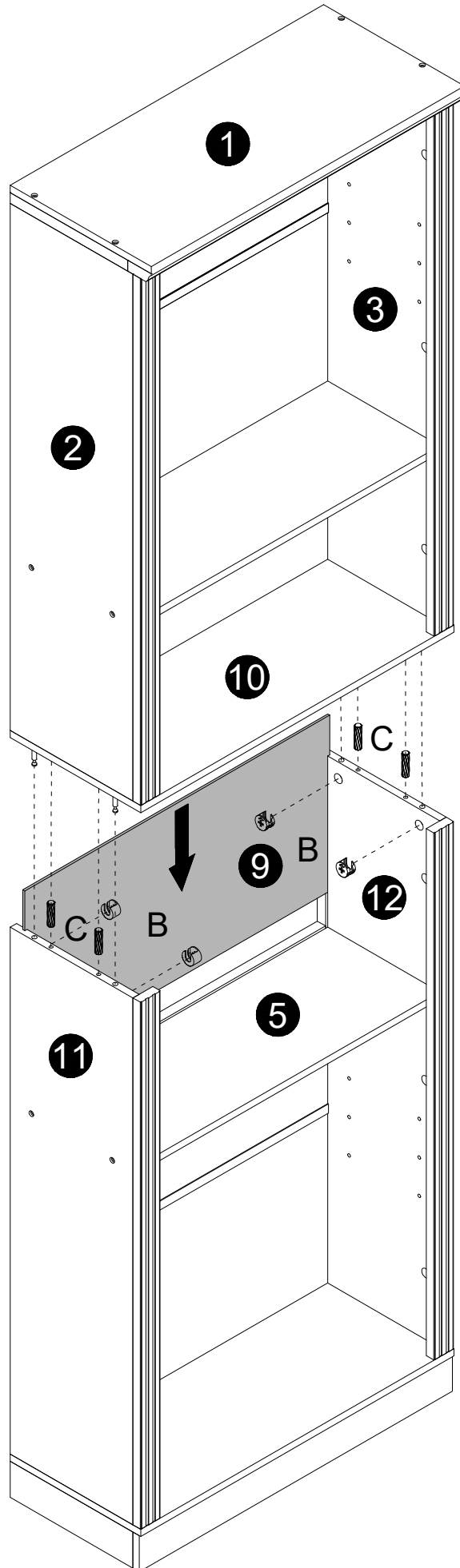
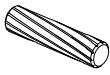
C x4

D x4



B x4

C x4



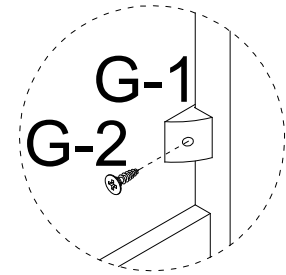
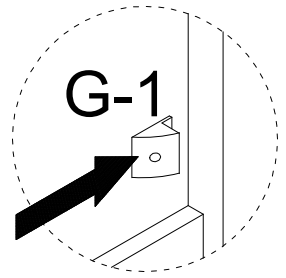
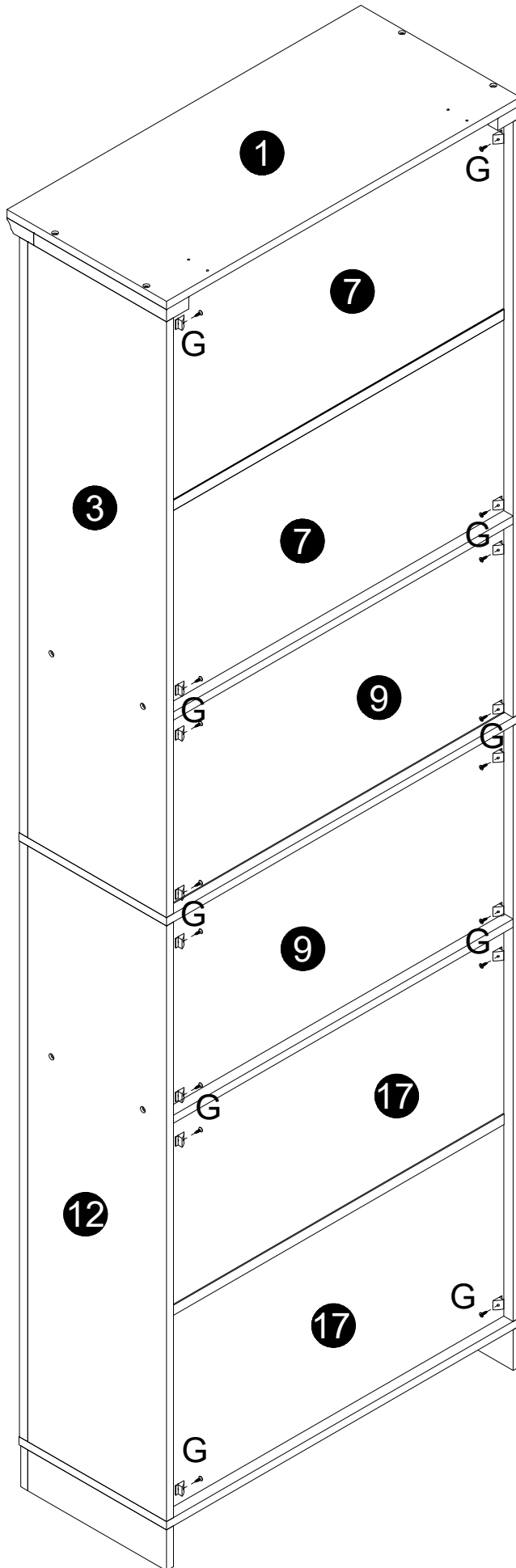
G x16

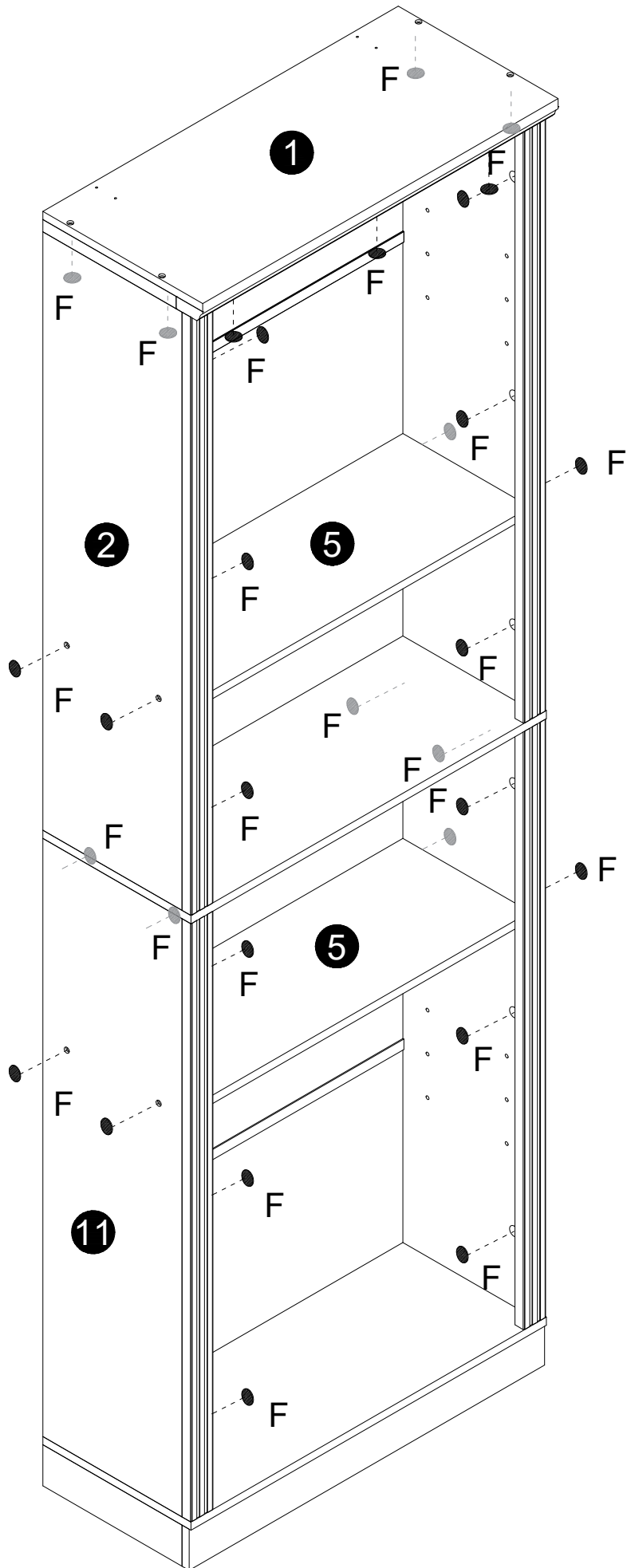


G-1

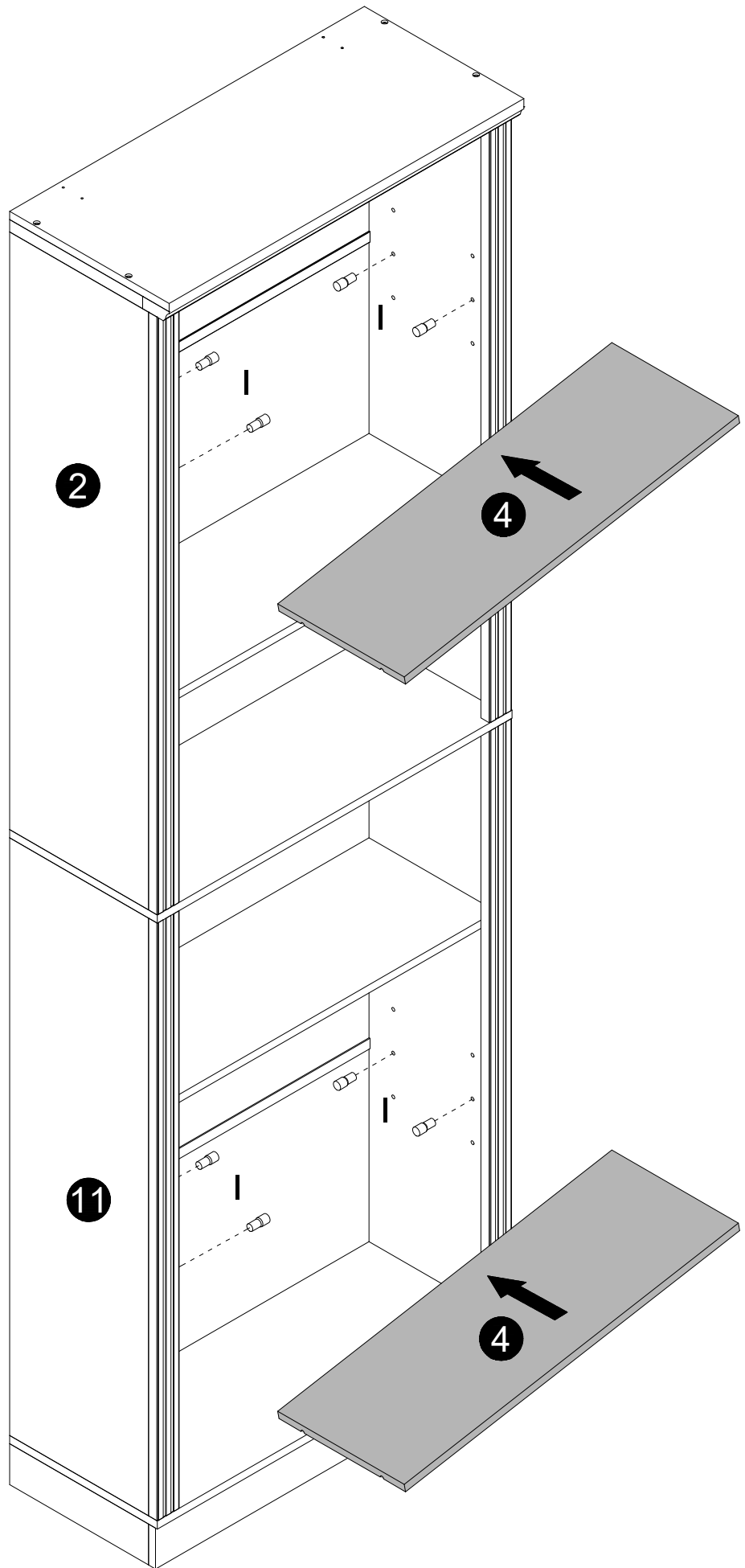


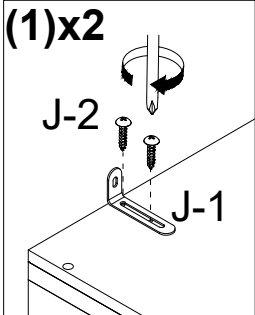
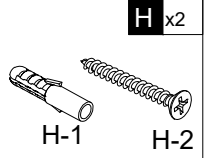
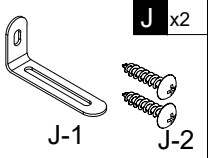
G-2



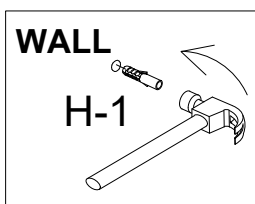


1 x8

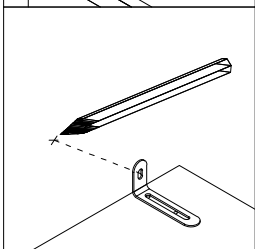




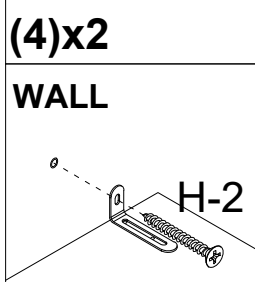
First fix the anti-rewind screw in the reserved hole of the product.



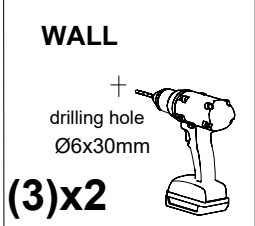
Then, put the expansion bolt into the hole



then, use a ruler to measure the approximate height of the product on the wall, and then mark it with a pen.



Finally, pass the matching screws through the "anti-rewind" and tighten them to fix them on the wall.



Then use a tape drill to make holes in the wall that are suitable for the product screws.

